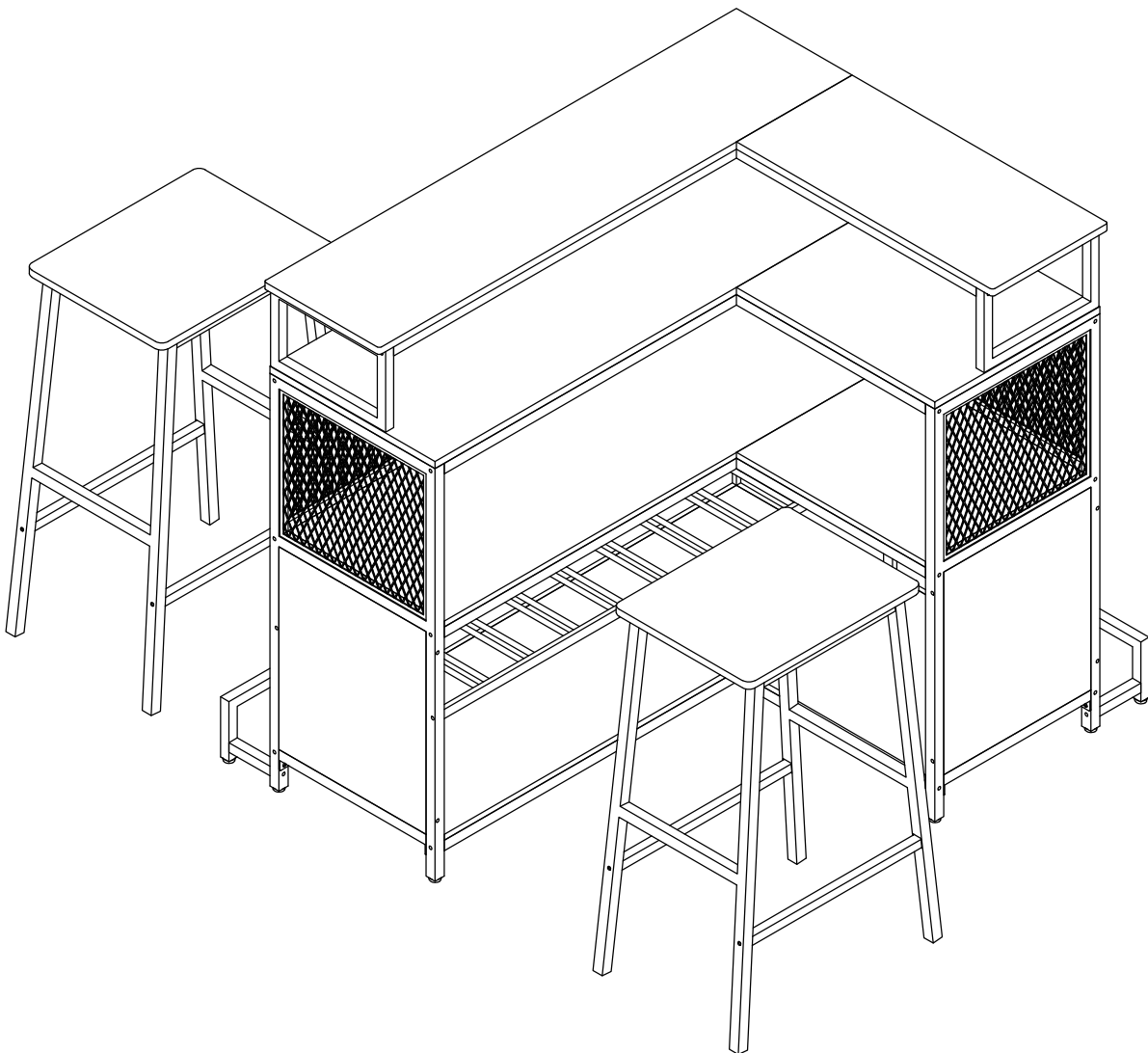




# ASSEMBLING INSTRUCTION

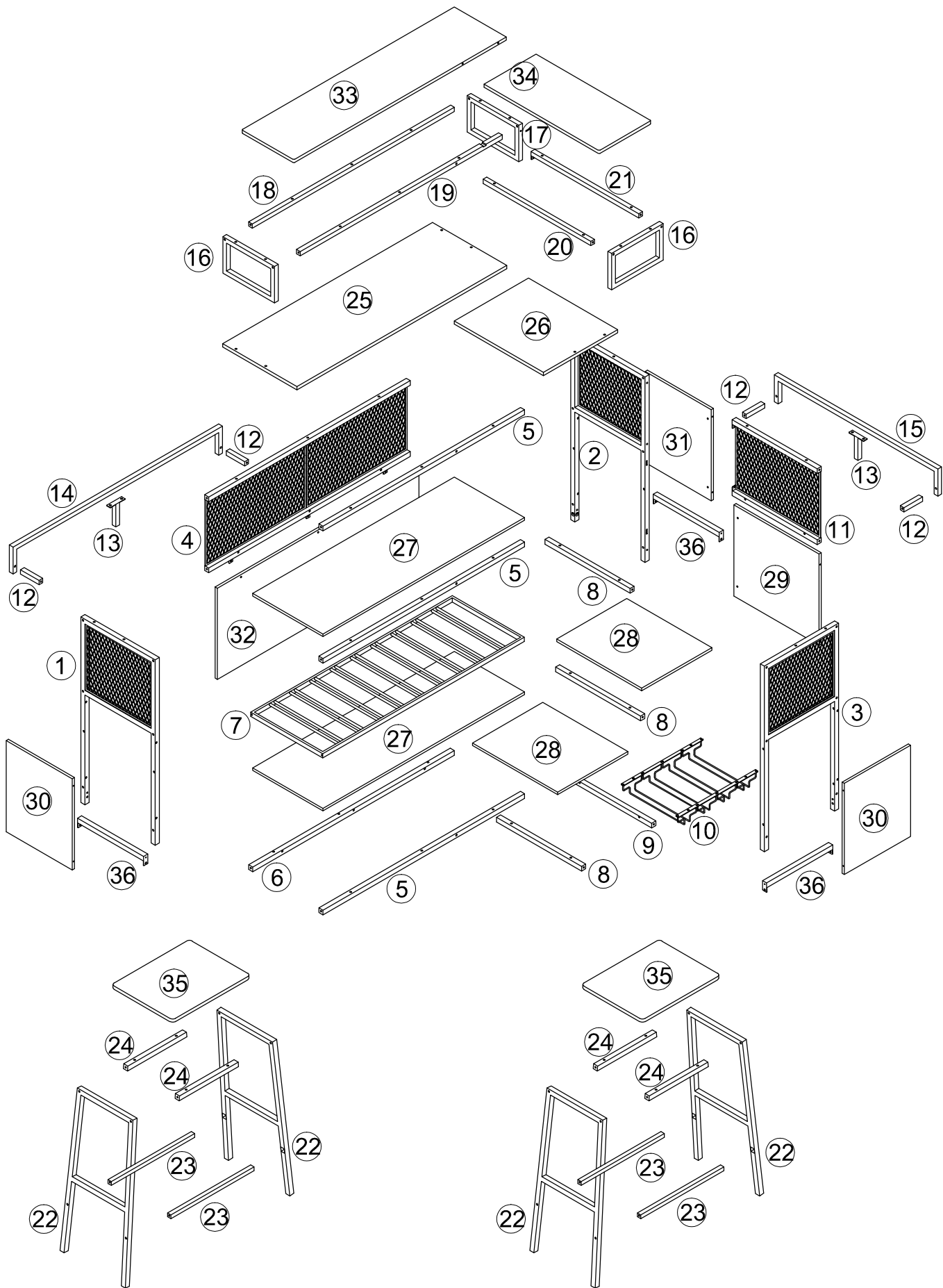


■ Please don't tighten the screws completely and go back later for a final tightening of all the screws after pieces are aligned with each other.

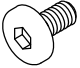

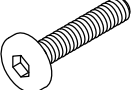
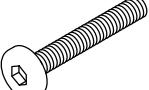

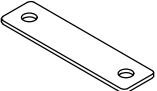
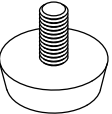
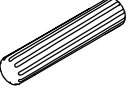
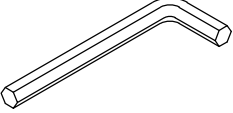



■ If you have any question, please feel free to contact us. Mail us [support@ironck.com](mailto:support@ironck.com)

MADE IN CHINA

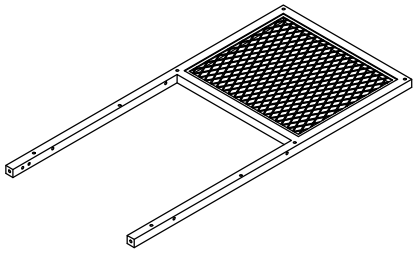


# LISTPARTA

A	 M6*10mm	X 35+2			
B		X 1			
C	 M6*30mm	X 92+4			
D	 M6*45mm	X 6+1			
E	 M5*45mm	X 26+2			
F		X 2			
G		X 12			
H	 Ø6*30mm	X 2			
I		X 2			
J		X 8			

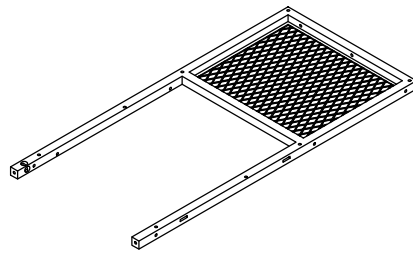
# HARDWARELIST

①



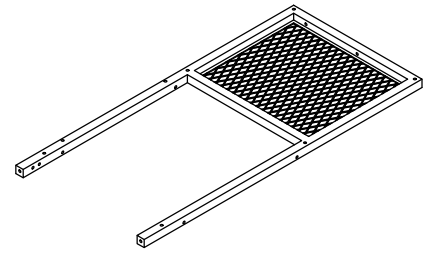
X 1

②



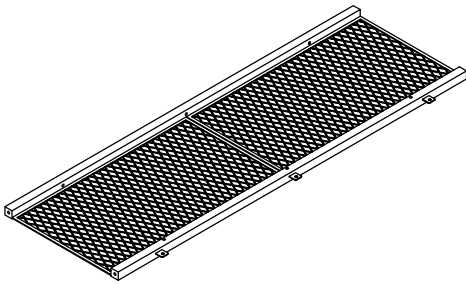
X 1

③



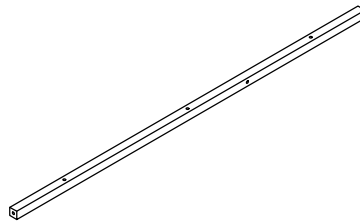
X 1

④



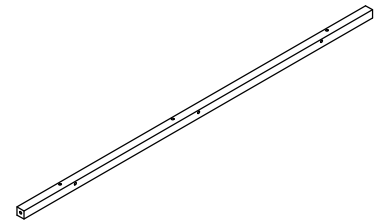
X 1

⑤



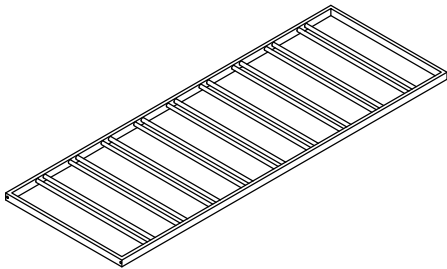
X 3

⑥



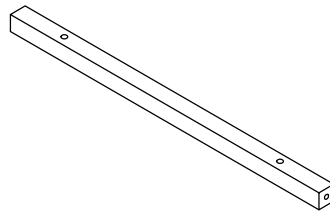
X 1

⑦



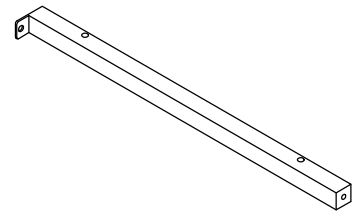
X 1

⑧



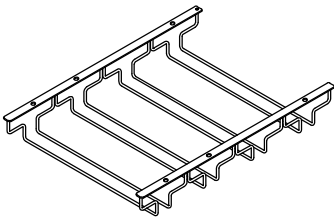
X 3

⑨



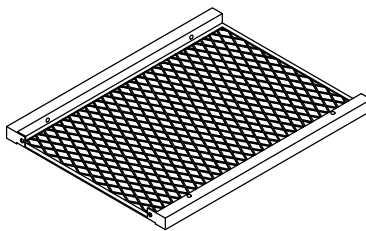
X 1

⑩



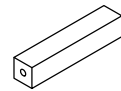
X 1

⑪



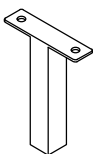
X 1

⑫



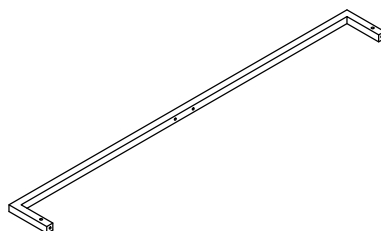
X 4

⑬



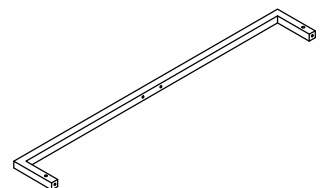
X 2

⑭



X 1

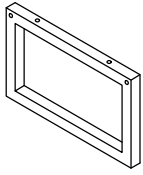
⑮



X 1

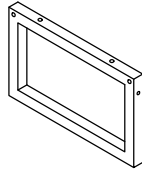
# HARDWARELIST

16



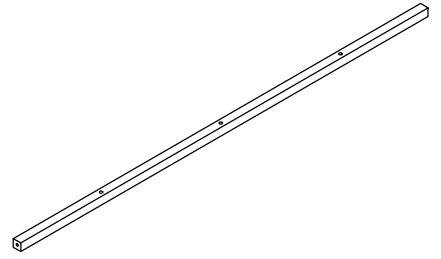
X 2

17



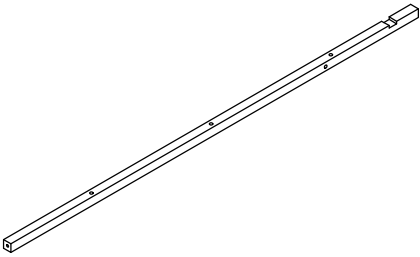
X 1

18



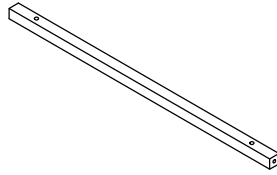
X 1

19



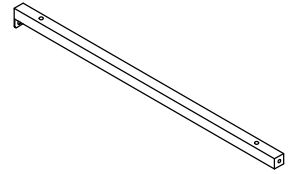
X 1

20



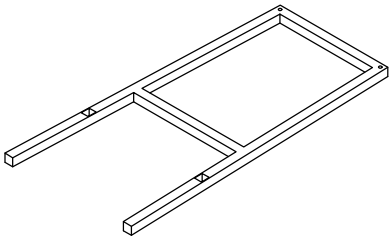
X 1

21



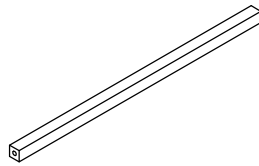
X 1

22



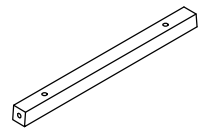
X 4

23



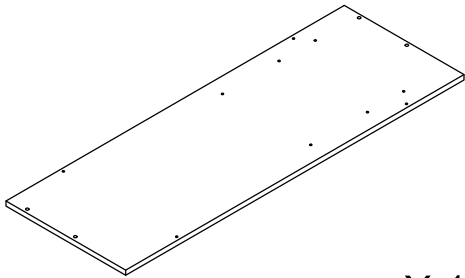
X 4

24



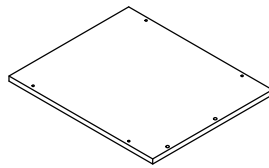
X 4

25



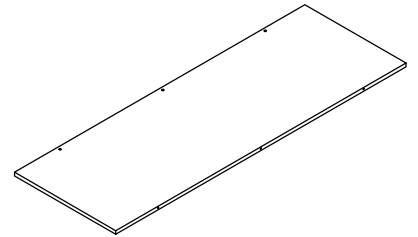
X 1

26



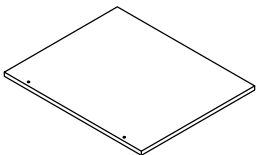
X 1

27



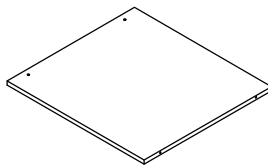
X 2

28



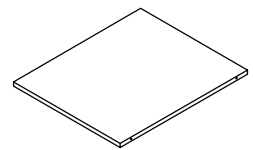
X 2

29



X 1

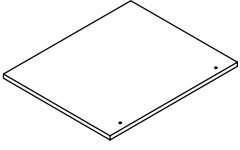
30



X 2

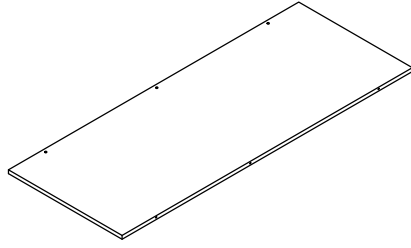
# HARDWARELIST

31



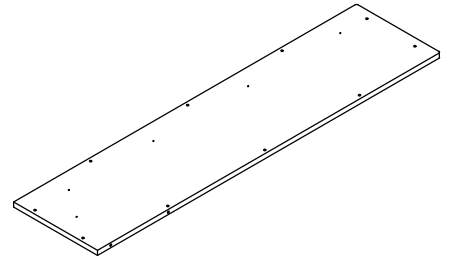
X 1

32



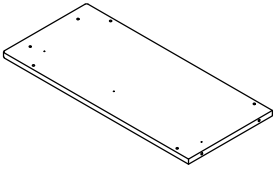
X 1

33



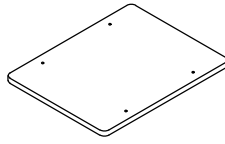
X 1

34



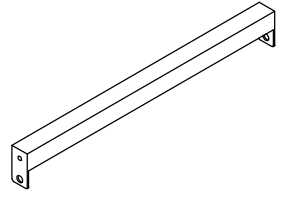
X 1

35



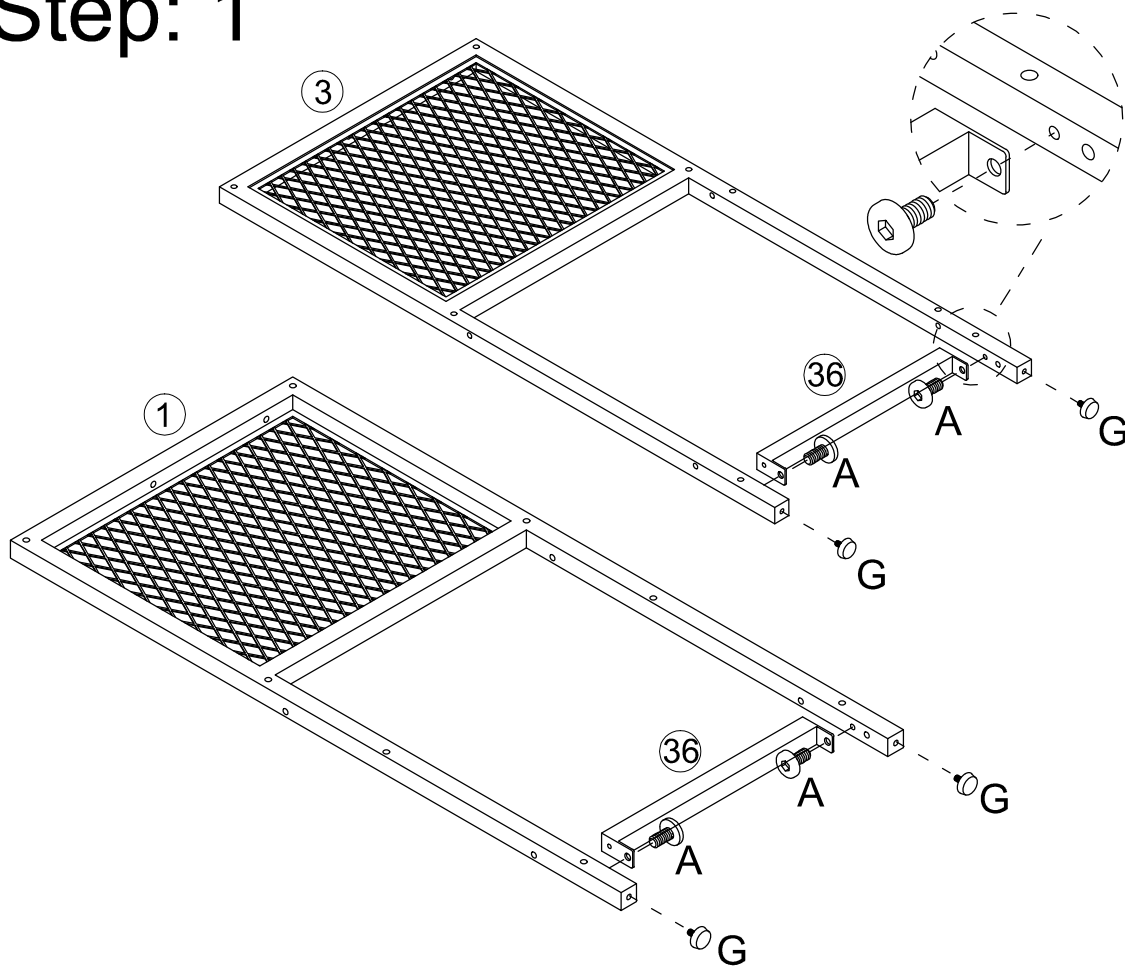
X 2

36



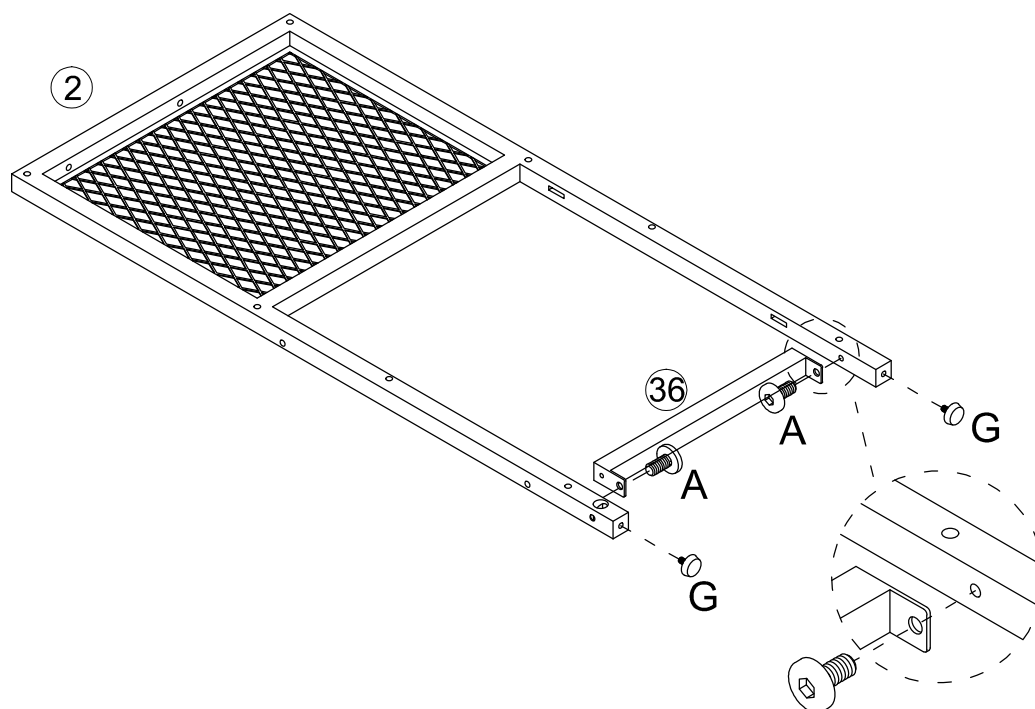
X 3

# Step: 1



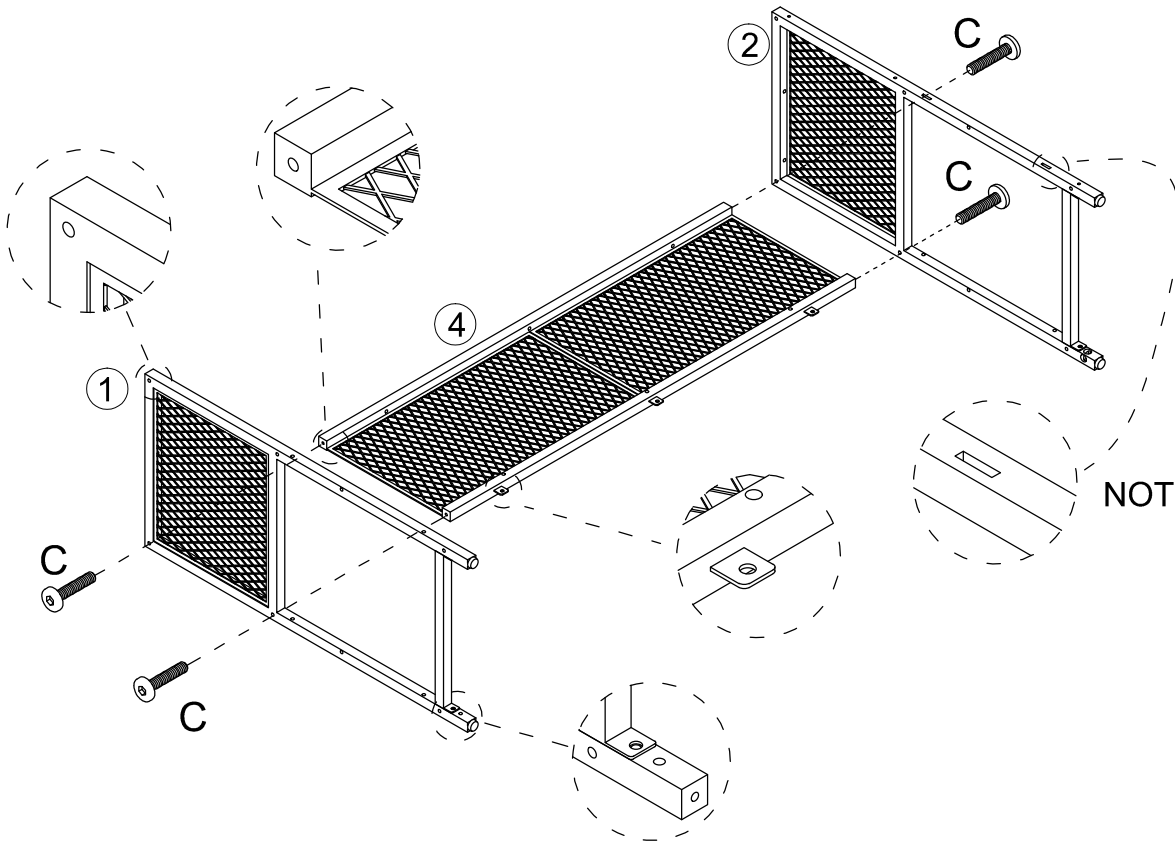
1		1PCS
3		1PCS
36		2PCS
A		4PCS
G		4PCS
I		

# Step: 2



2		1PCS
36		1PCS
A		2PCS
G		2PCS
I		

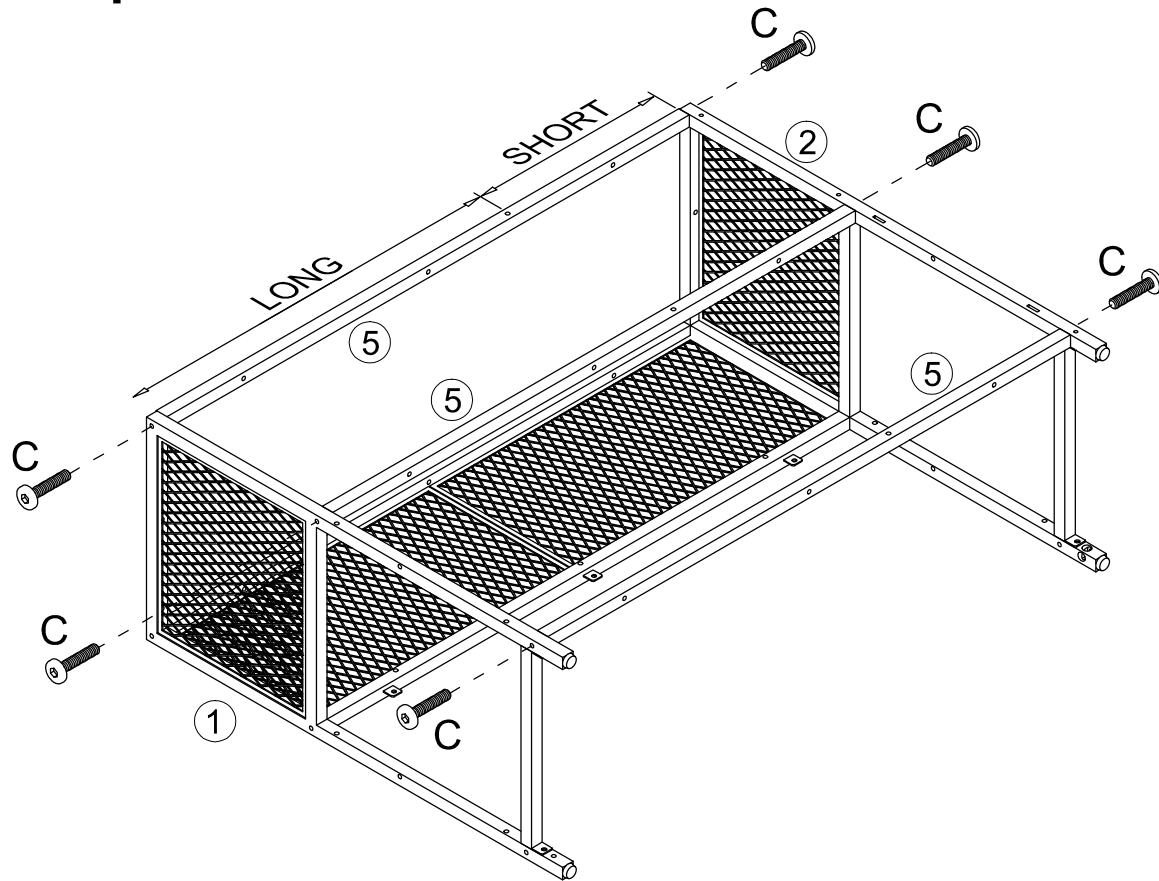
# Step: 3



- ④ 1PCS
- C 4PCS
- I

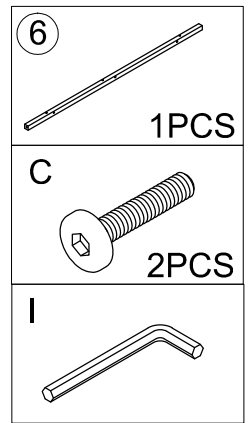
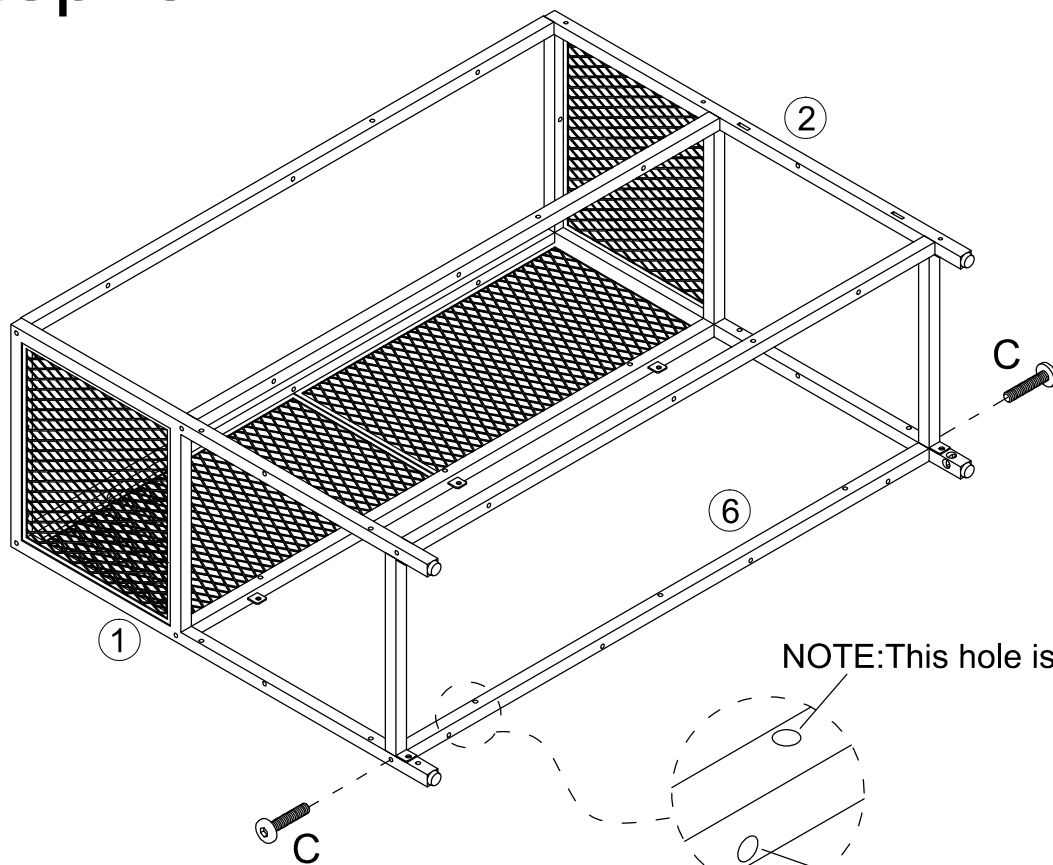
NOTE: This is up here.

# Step: 4



- ⑤ 3PCS
- C 6PCS
- I

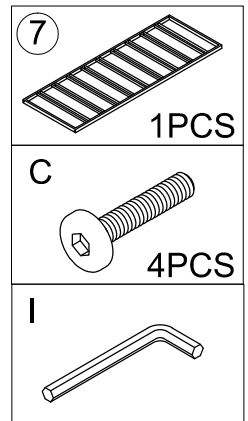
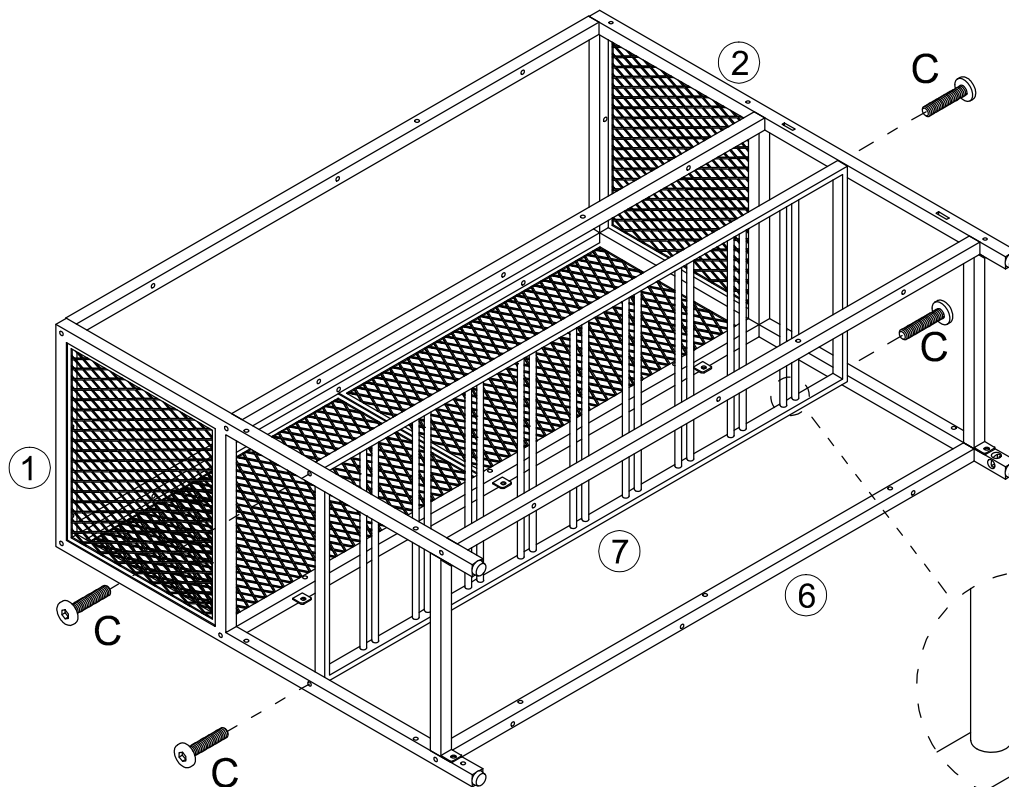
# Step: 5



NOTE: This hole is on top.

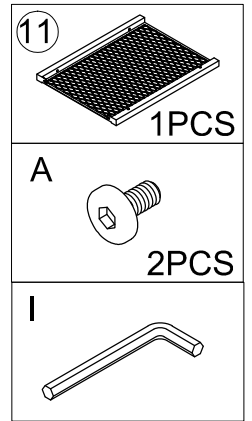
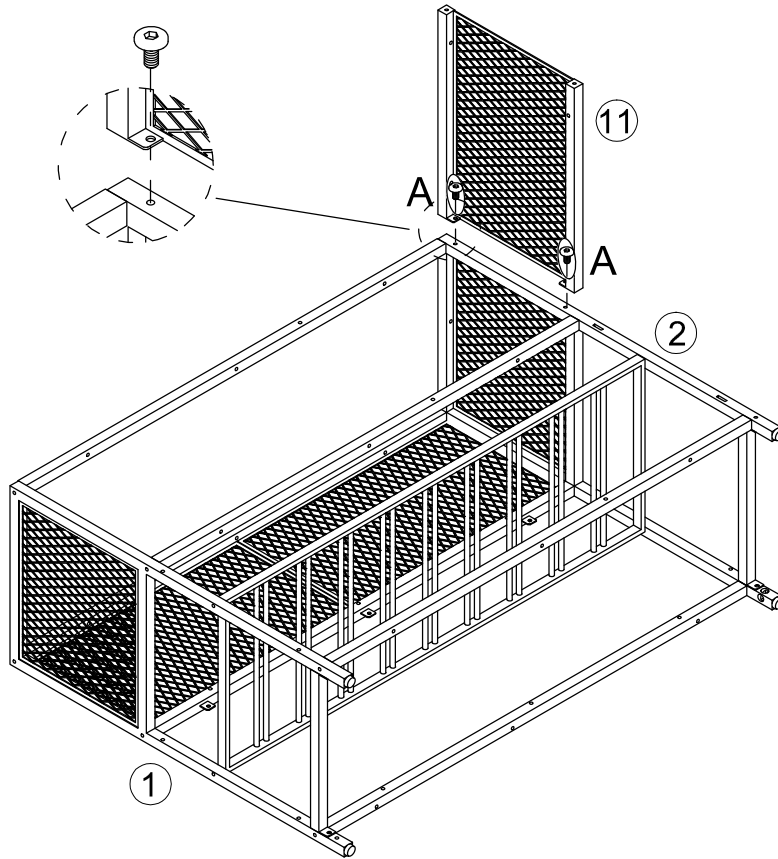
NOTE: This hole is below.

# Step: 6

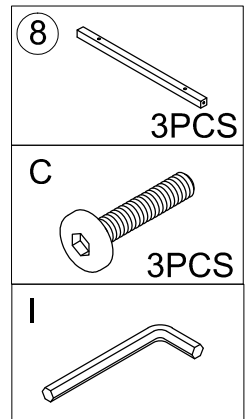
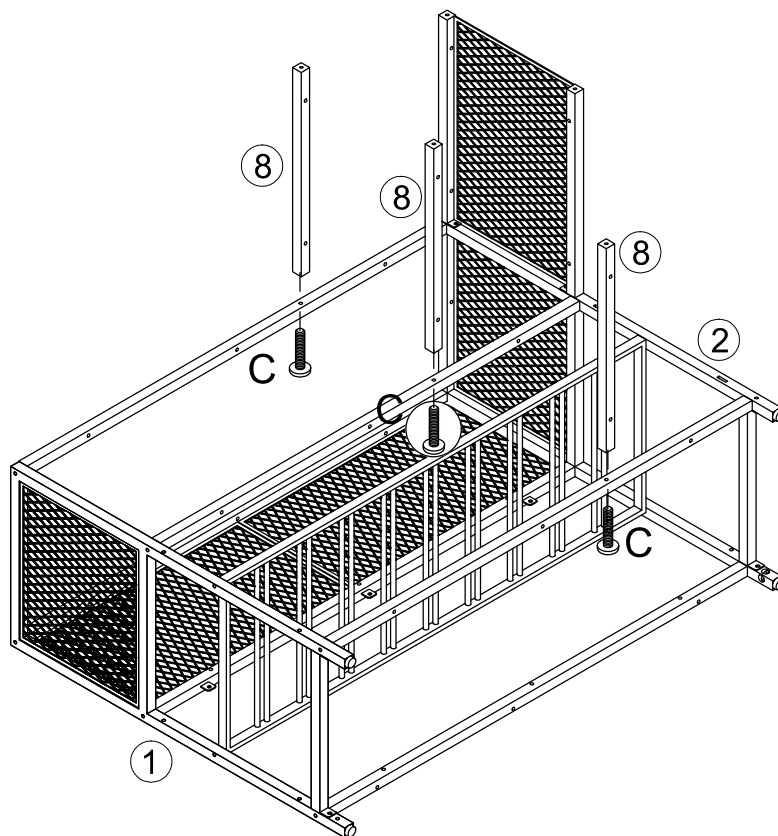


NOTE: Pay attention to the orientation during installation.

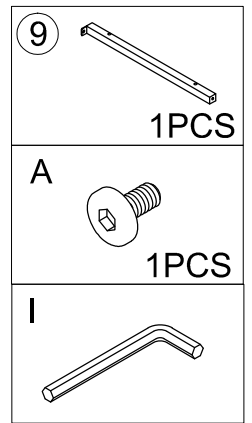
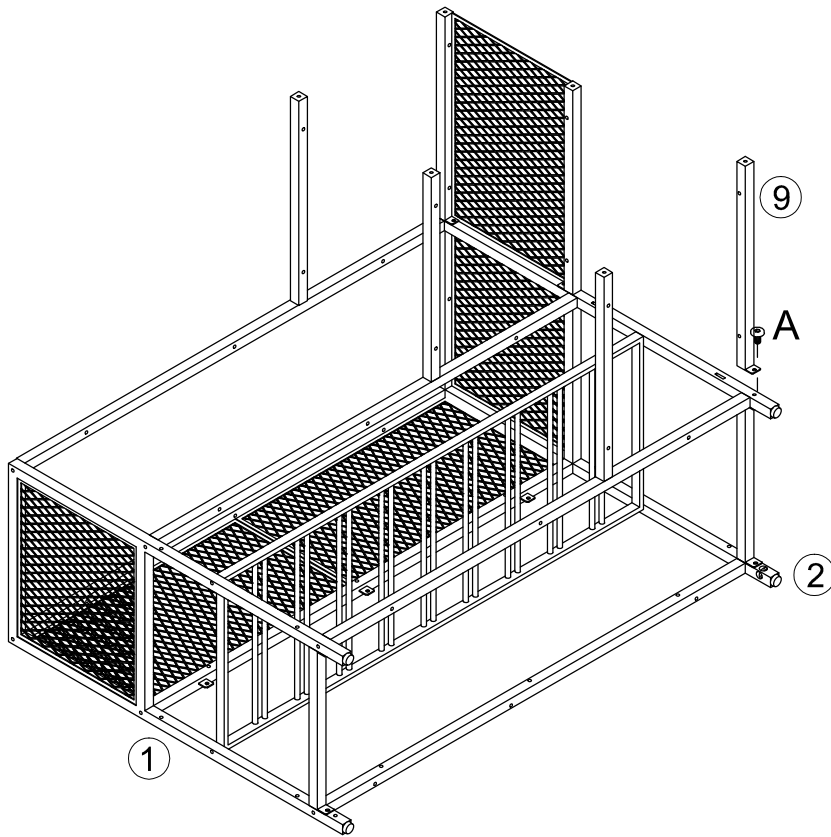
# Step: 7



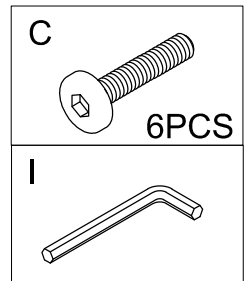
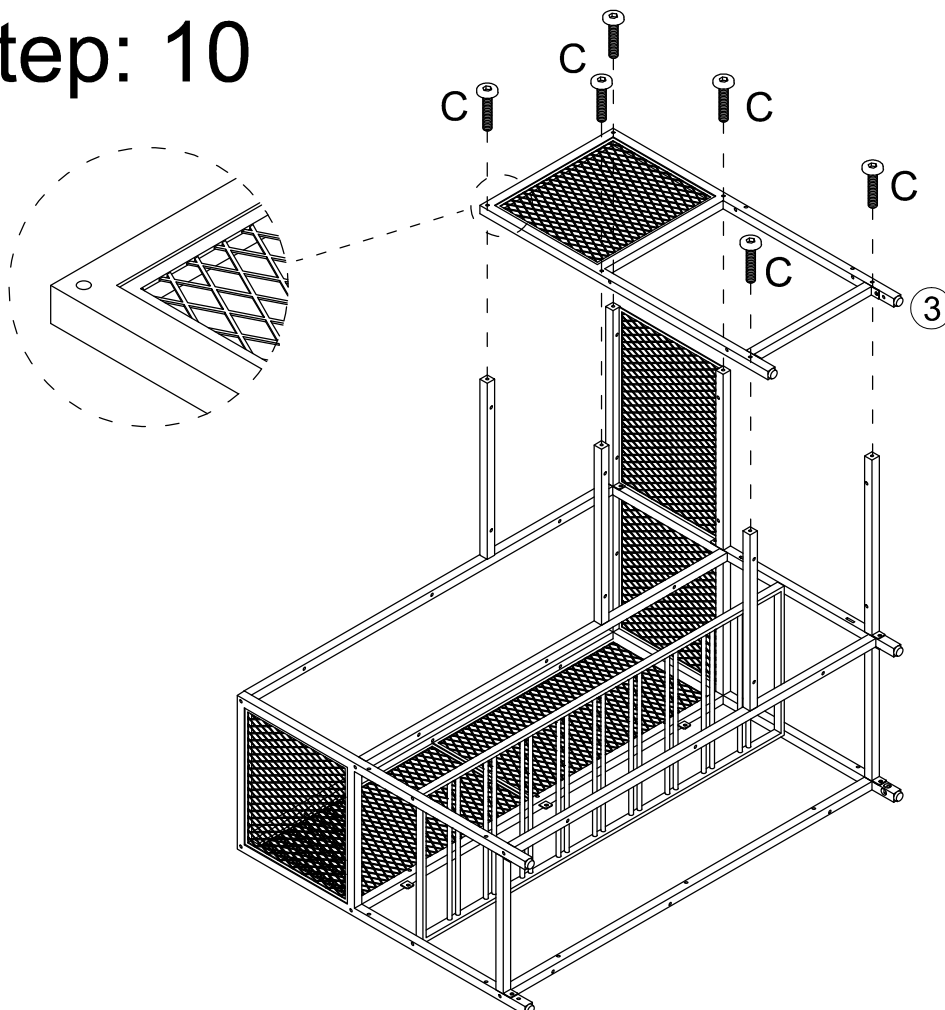
# Step: 8



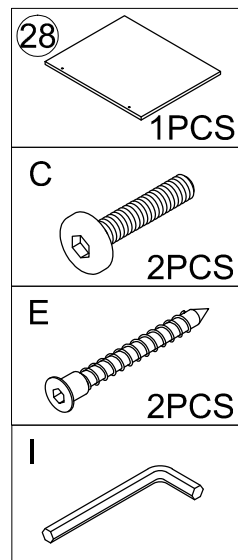
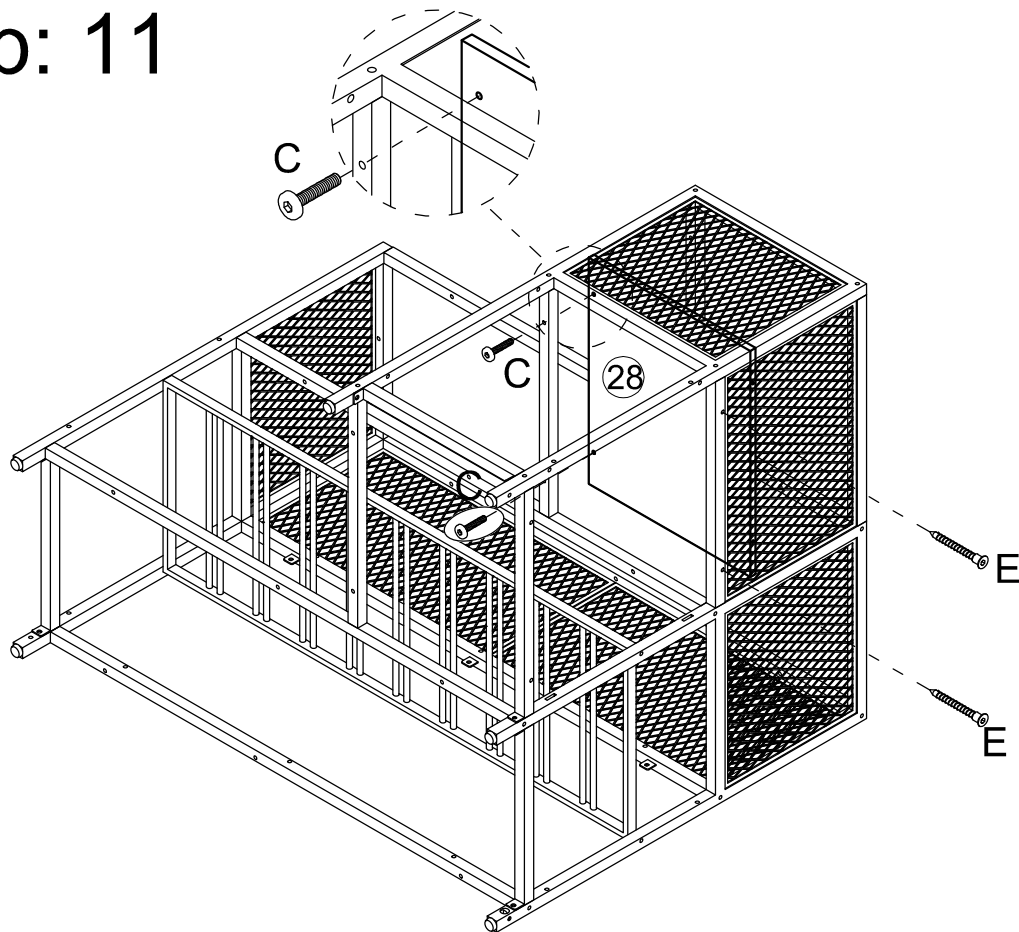
# Step: 9



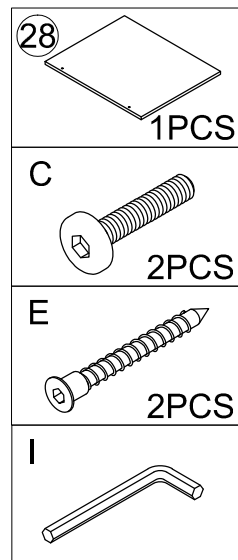
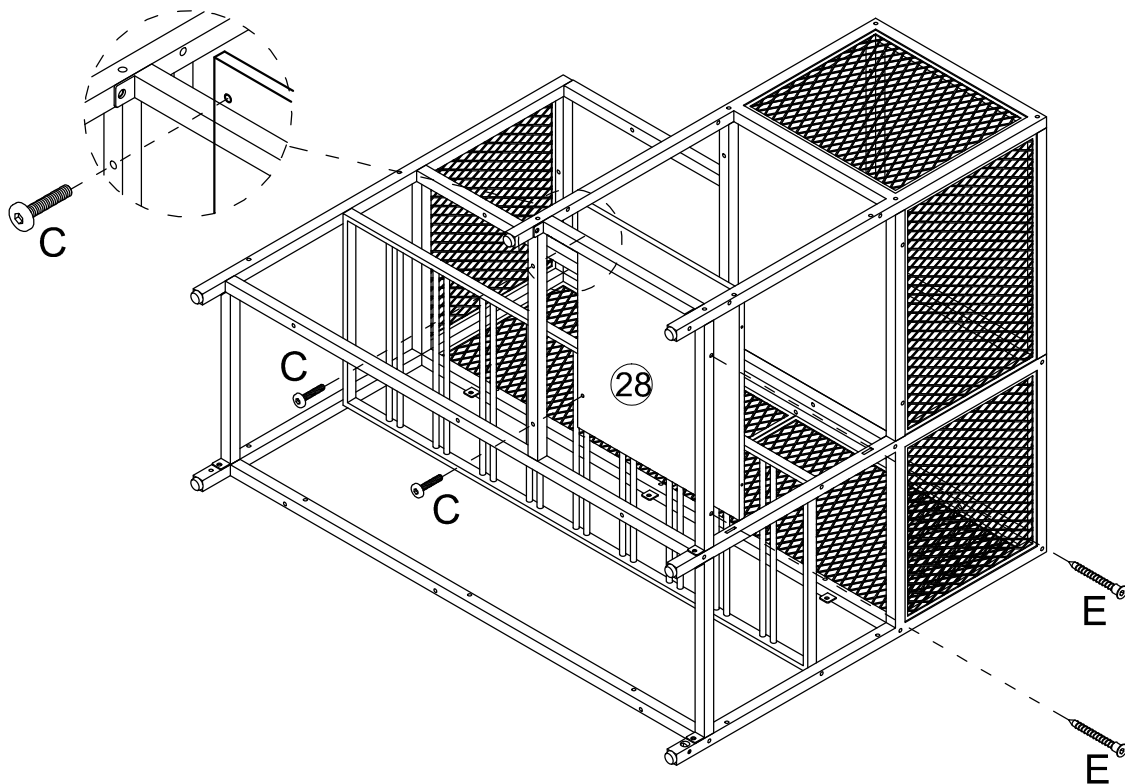
# Step: 10



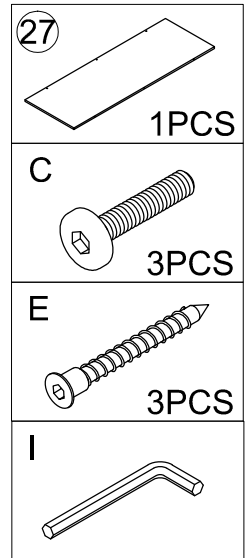
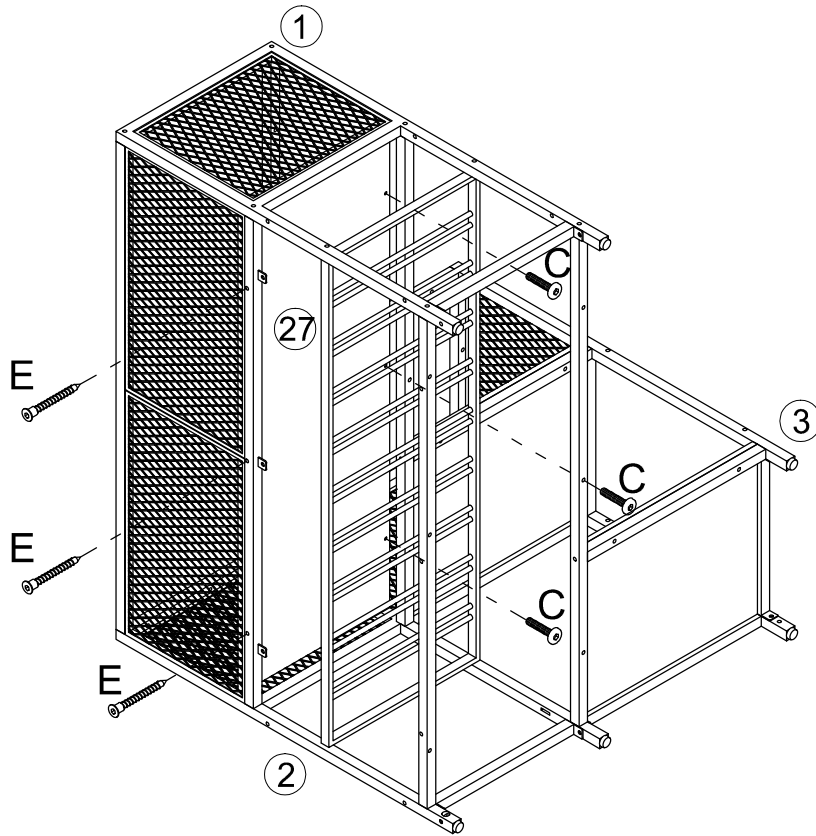
# Step: 11



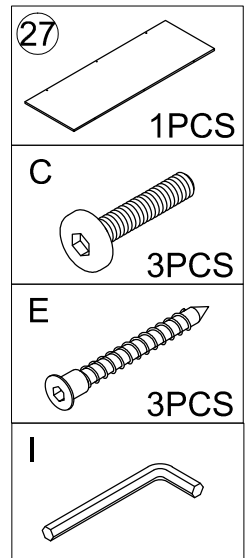
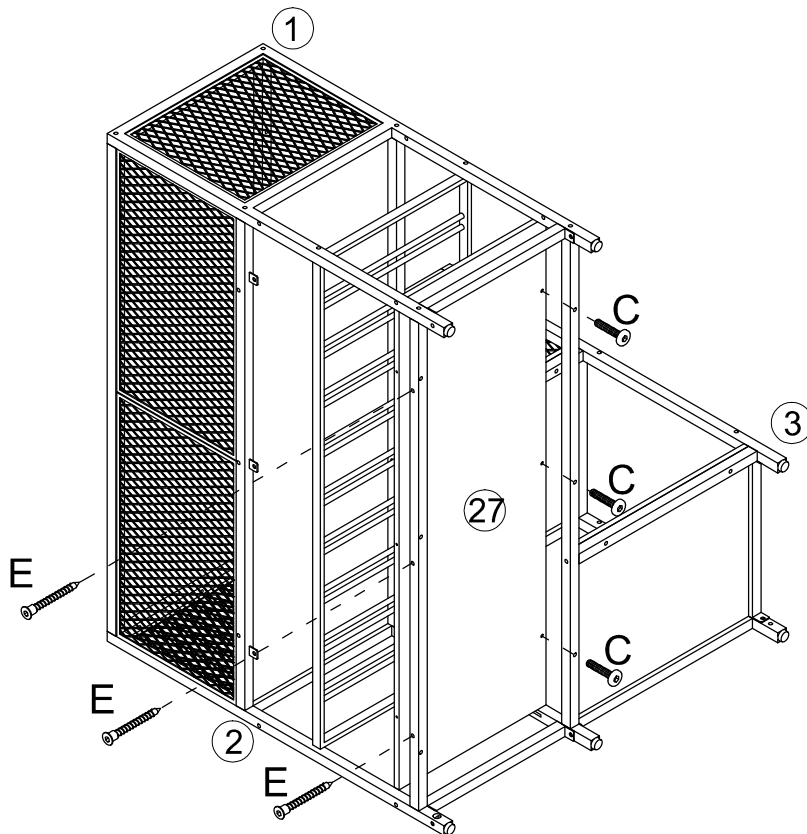
# Step: 12



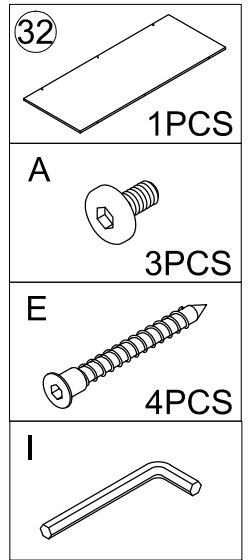
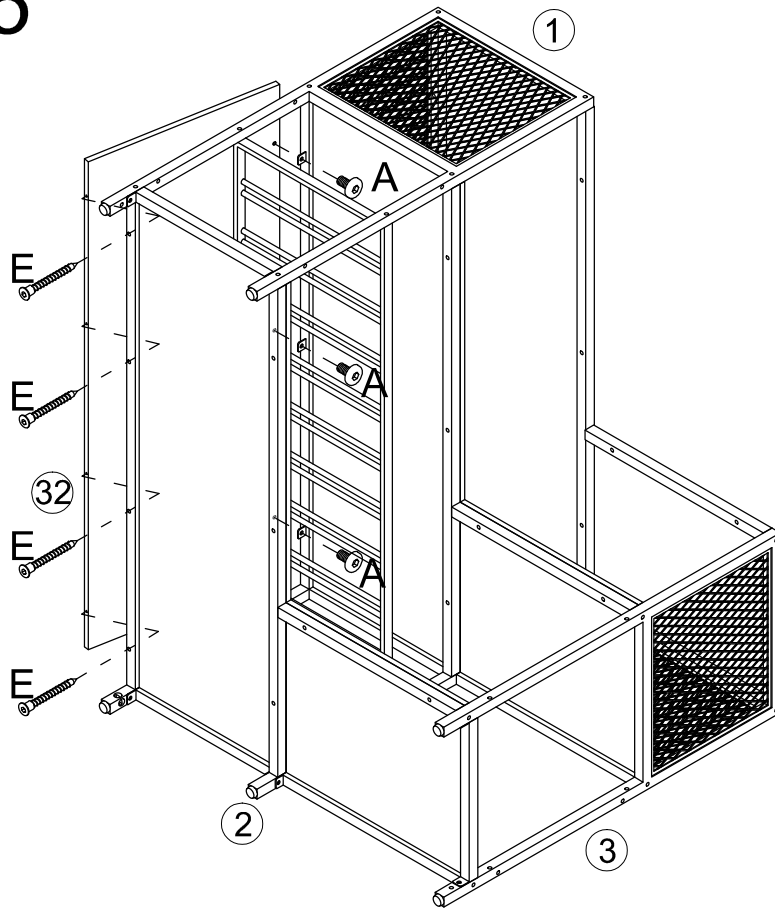
# Step: 13



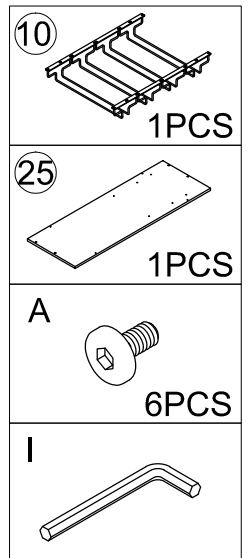
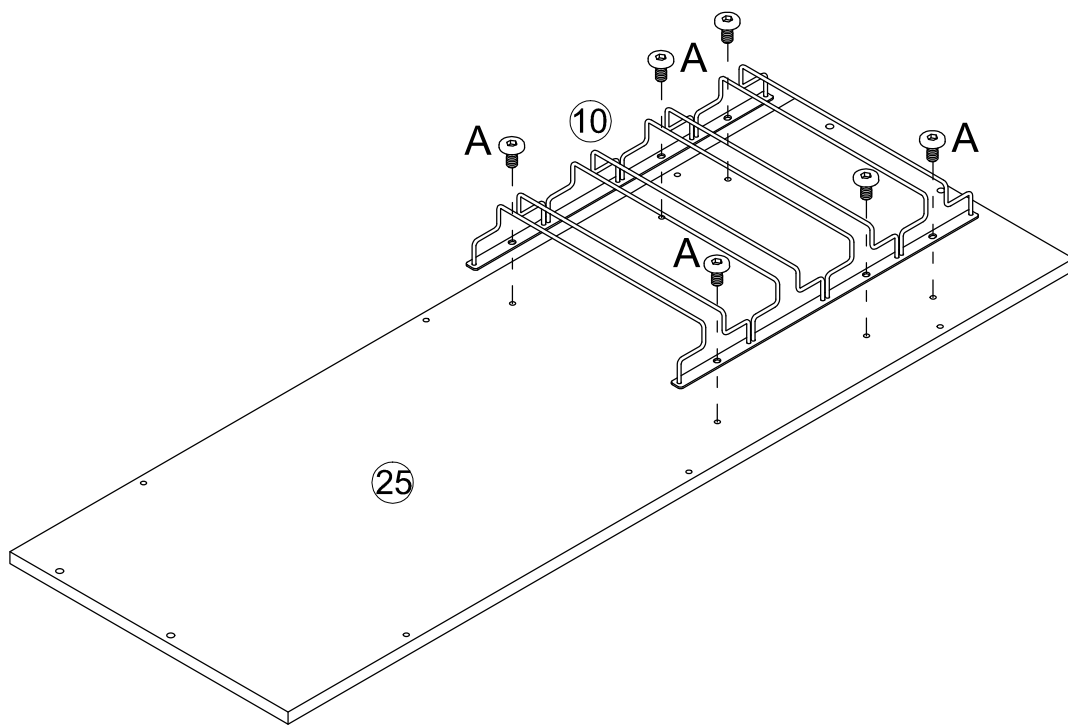
# Step: 14



# Step: 15

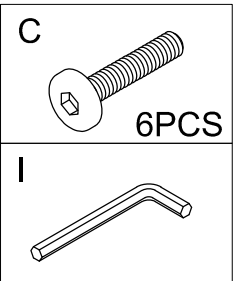
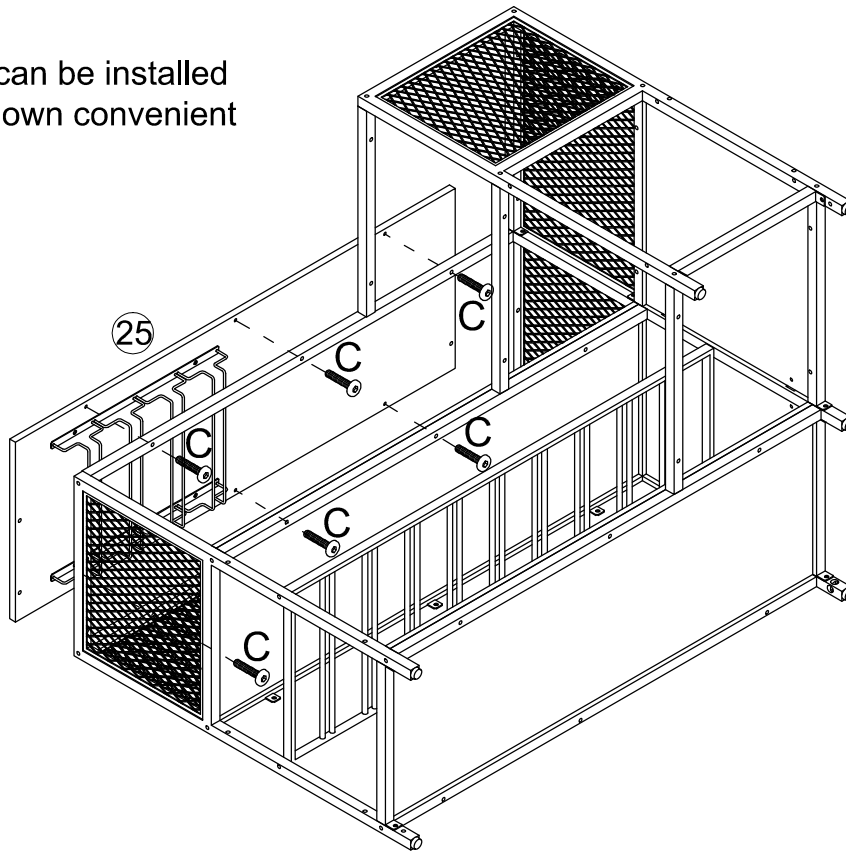


# Step: 16



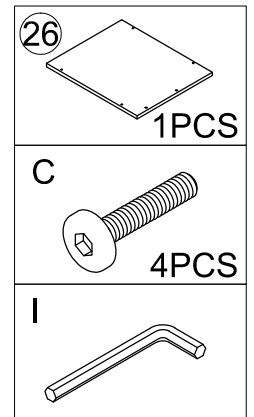
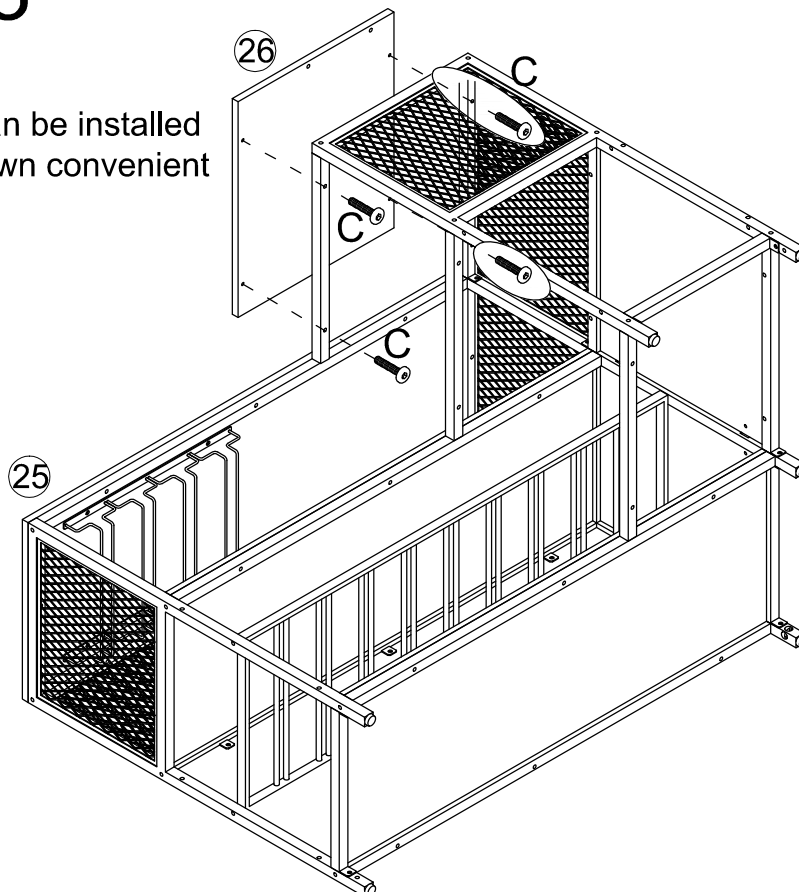
# Step: 17

NOTE: This step can be installed from your own convenient angle.



# Step: 18

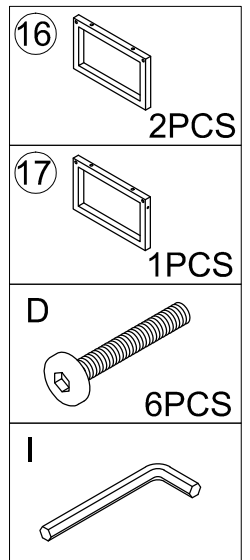
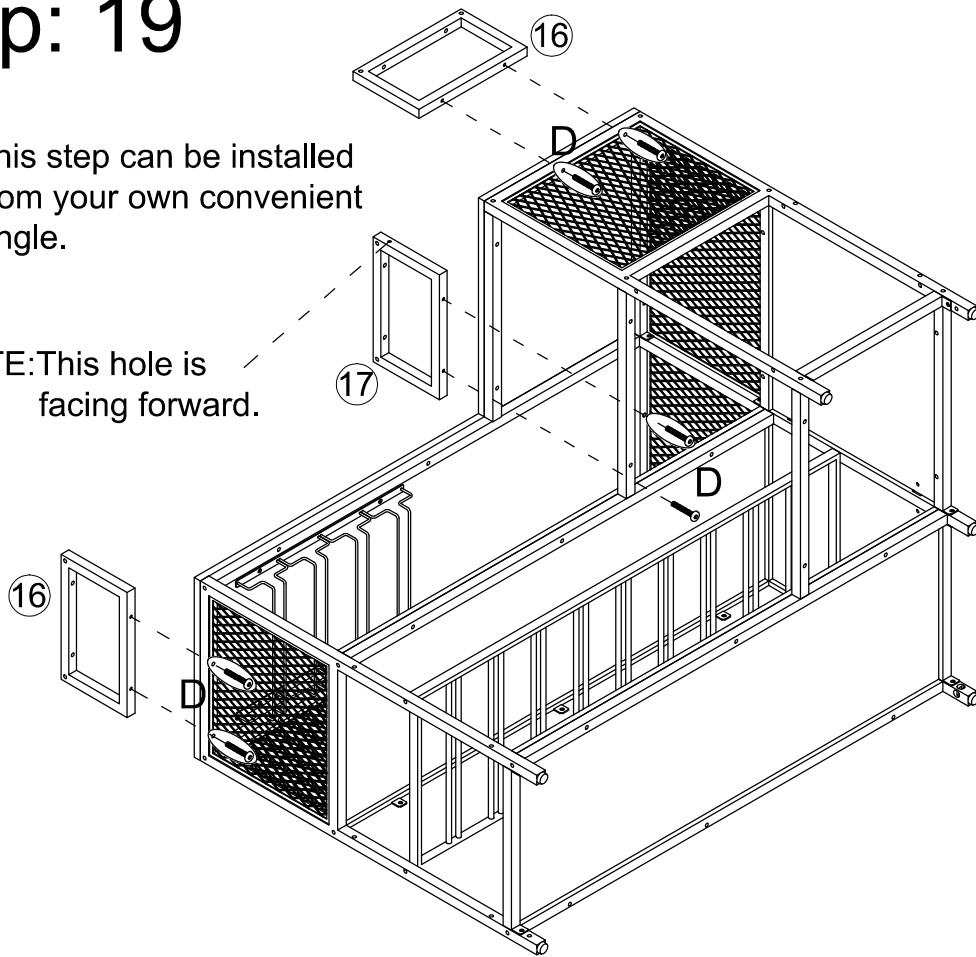
NOTE: This step can be installed from your own convenient angle.



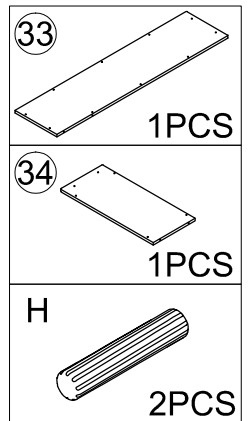
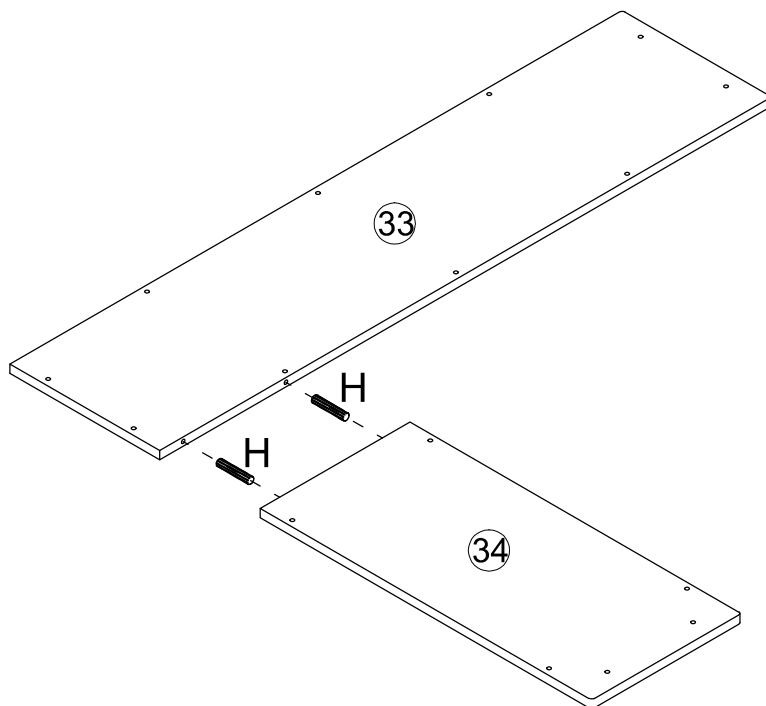
# Step: 19

NOTE: This step can be installed from your own convenient angle.

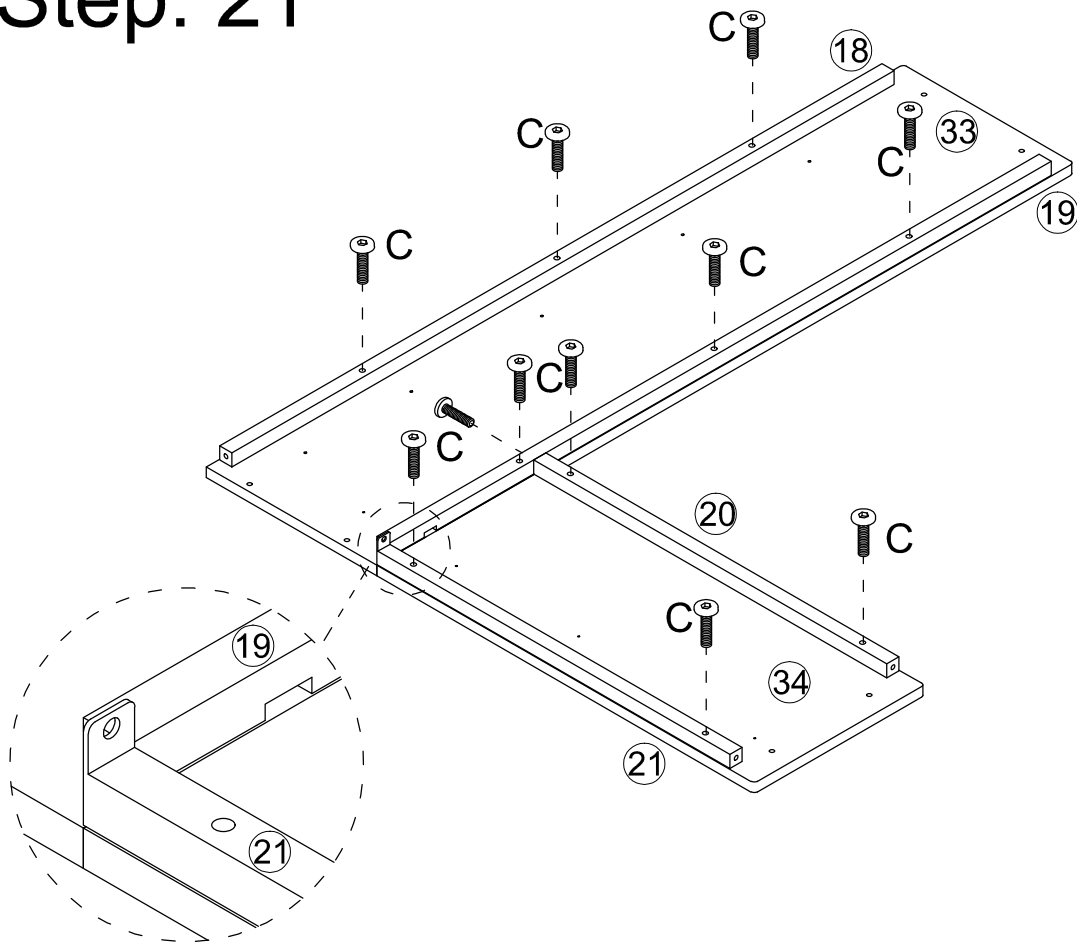
NOTE: This hole is facing forward.

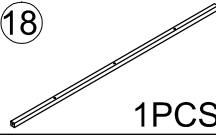
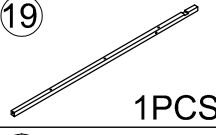
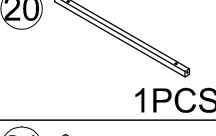
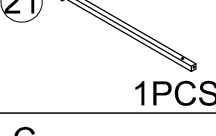
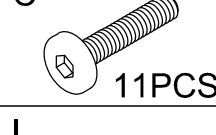



# Step: 20

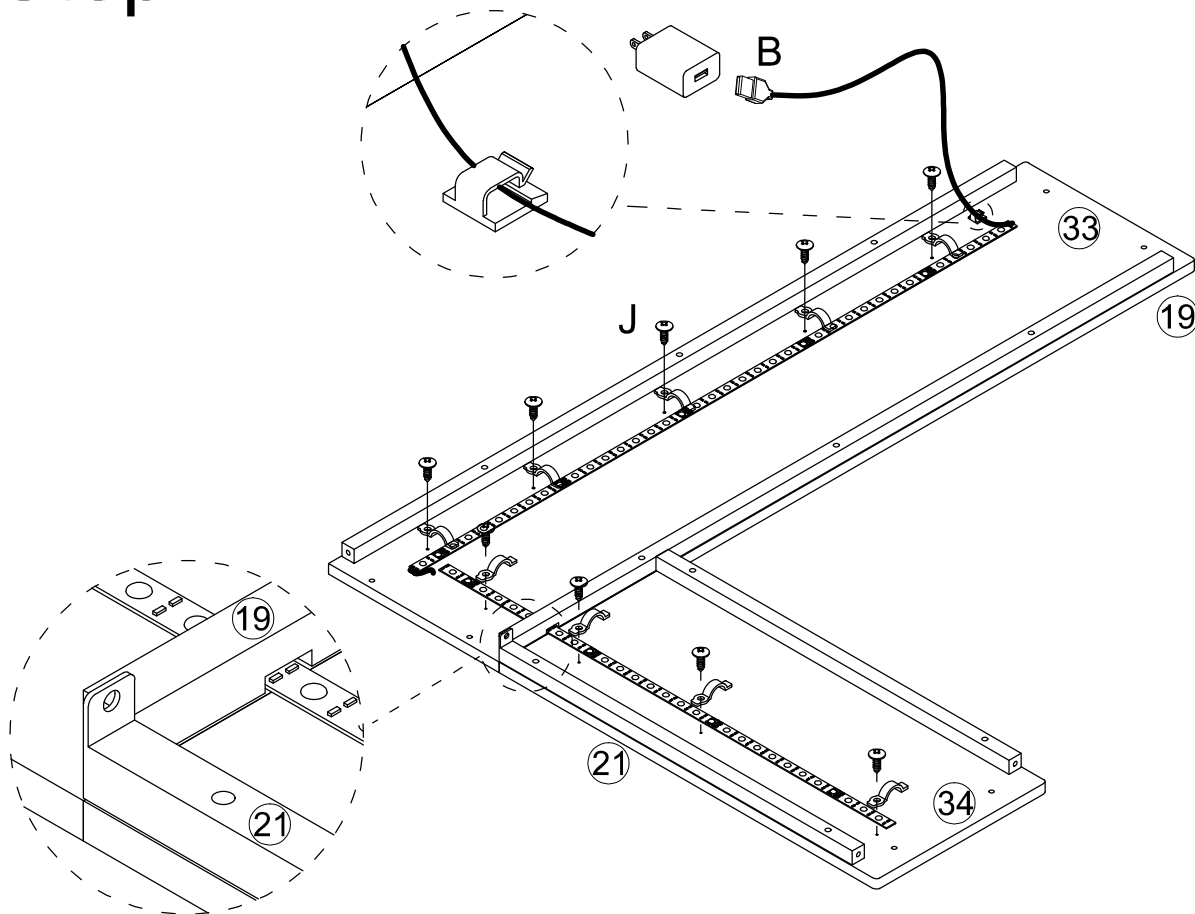


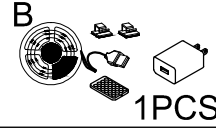
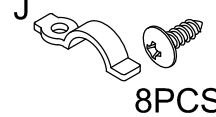
# Step: 21



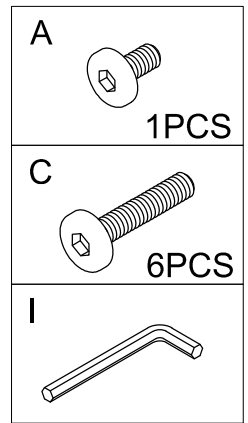
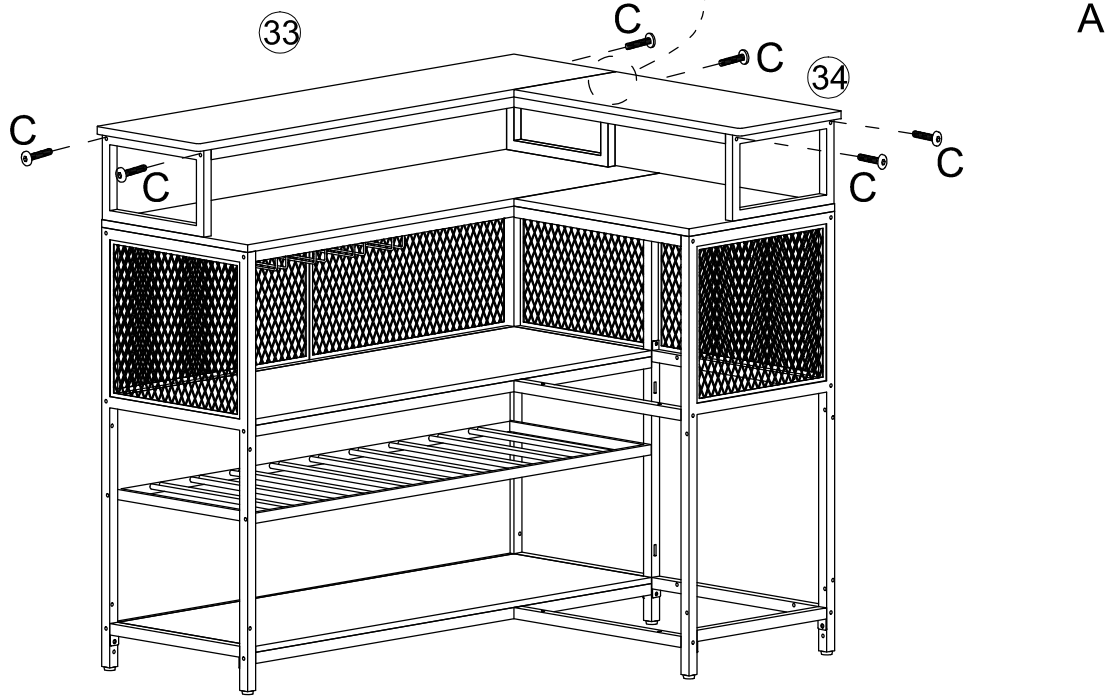
- 18**  1PCS
- 19**  1PCS
- 20**  1PCS
- 21**  1PCS
- C**  11PCS
- I** 

# Step: 22

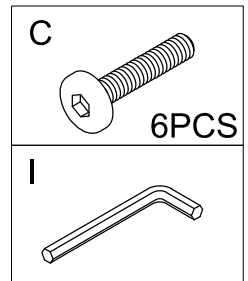
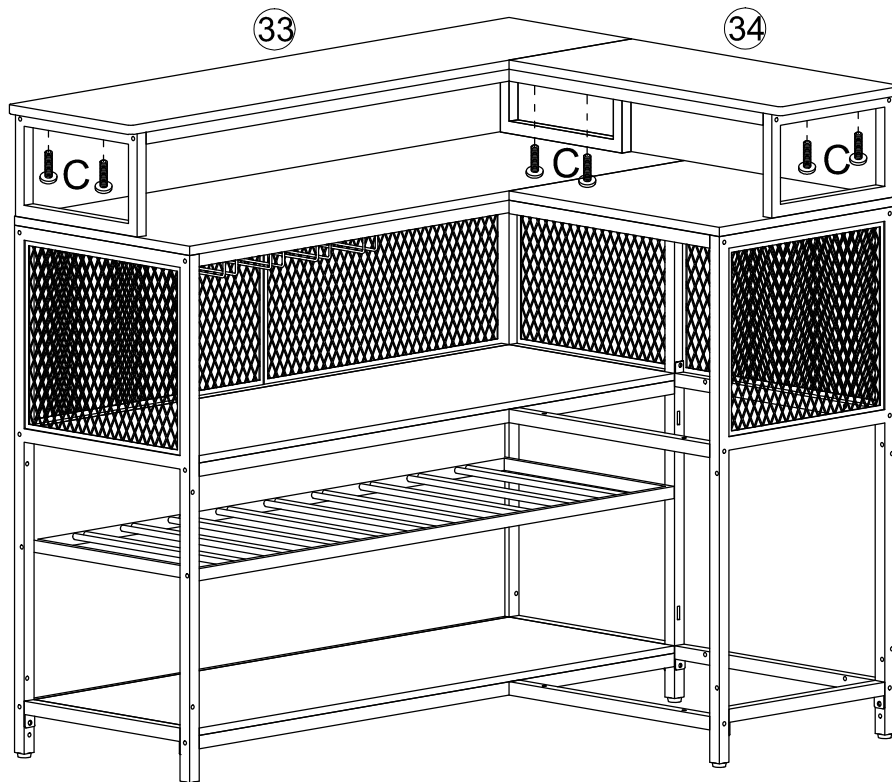


- B**  1PCS
- J**  8PCS

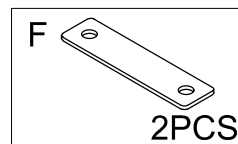
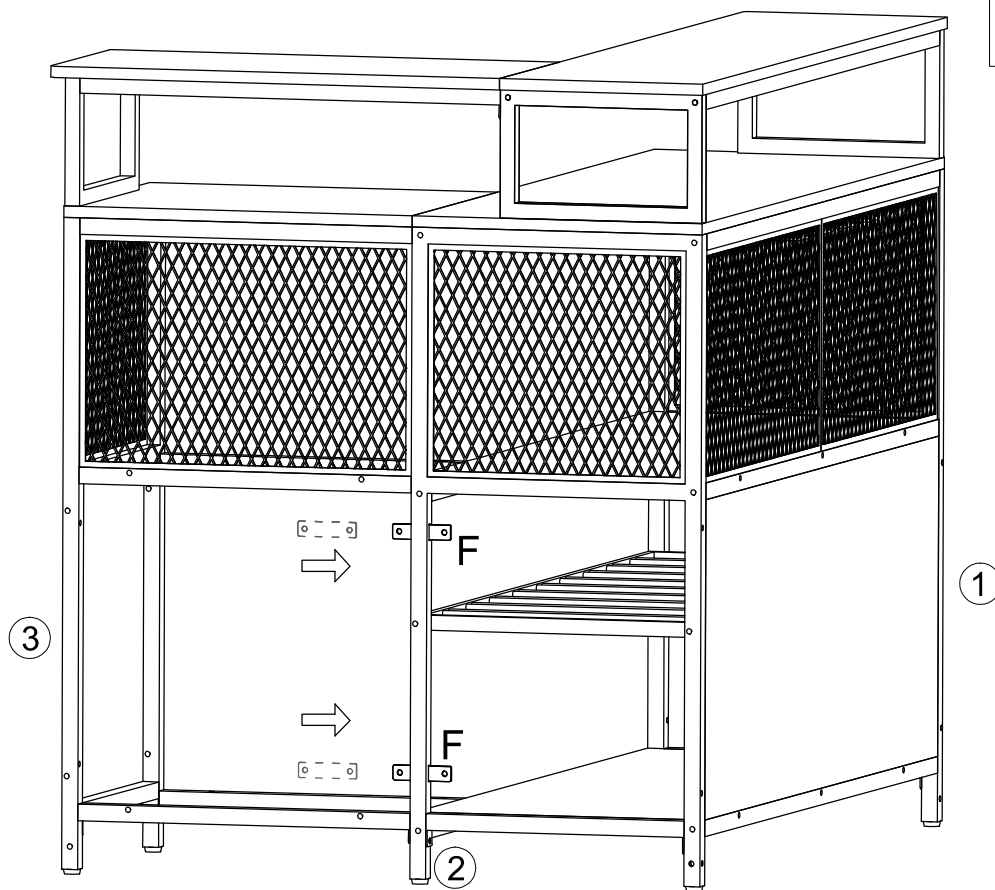
# Step: 23



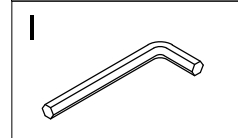
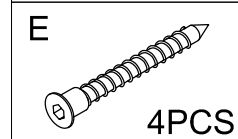
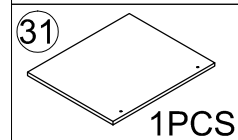
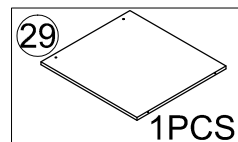
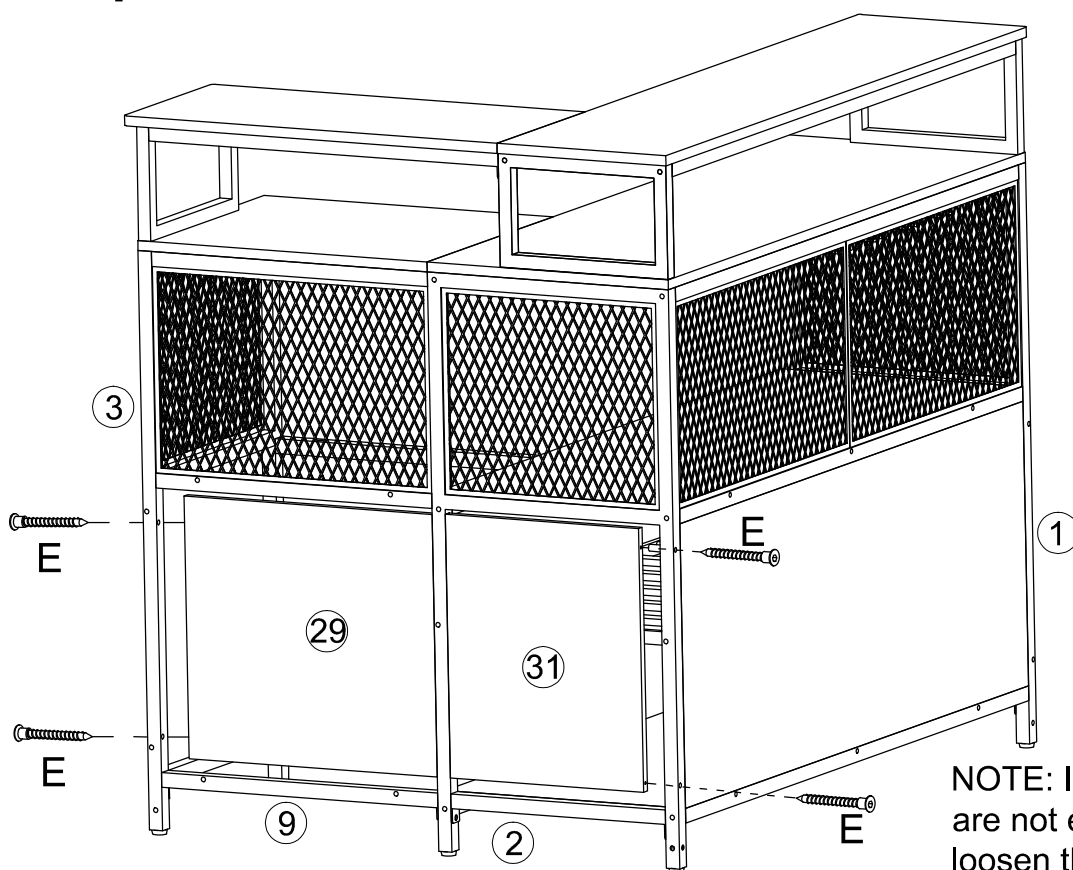
# Step: 24



# Step: 25

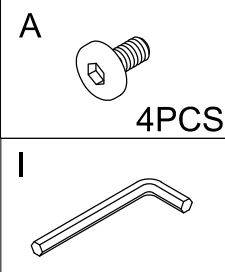
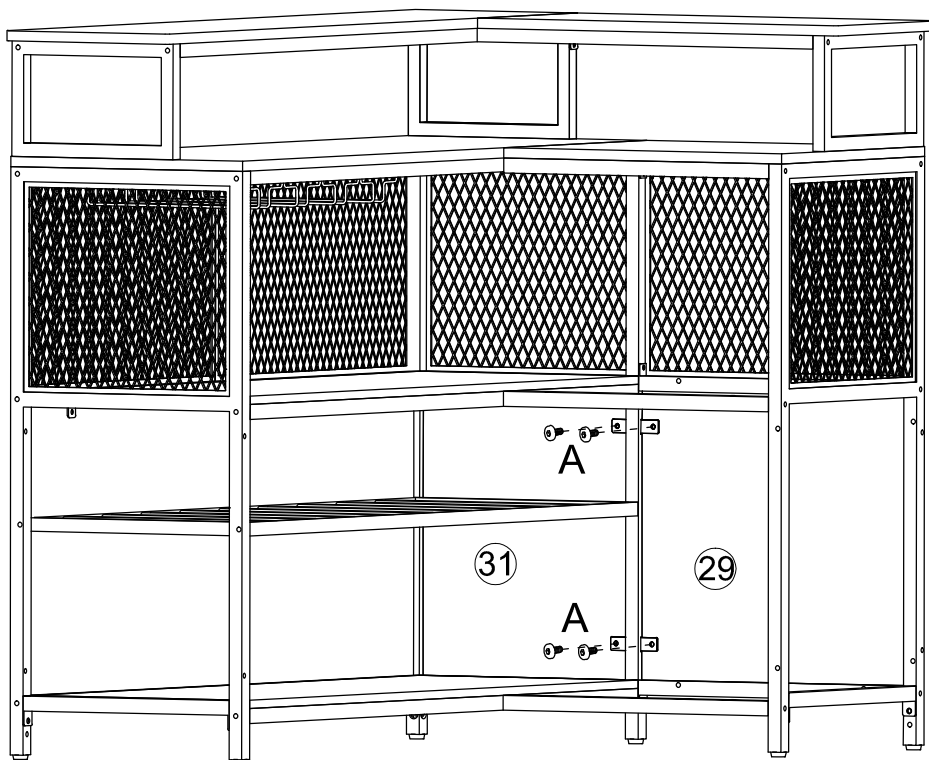


# Step: 26

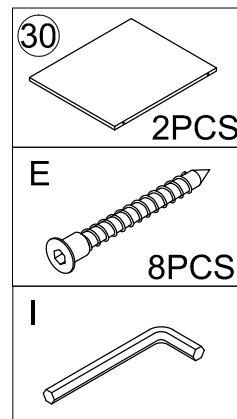
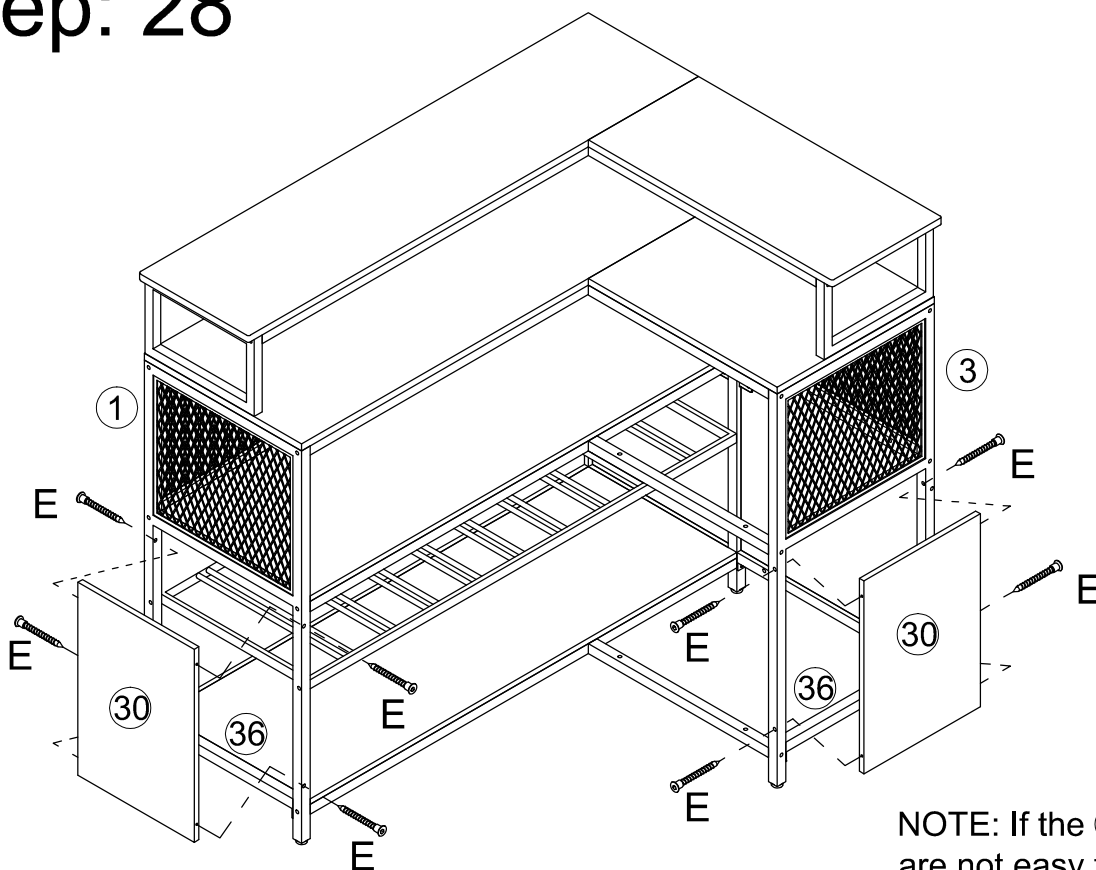


NOTE: If the 29 and 31 boards are not easy to fit in, please loosen the 2 and 9 connecting pipes a little.

# Step: 27

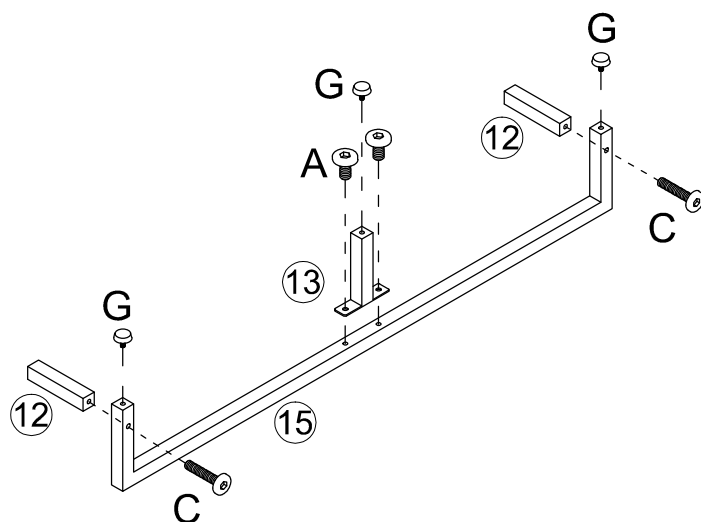


# Step: 28



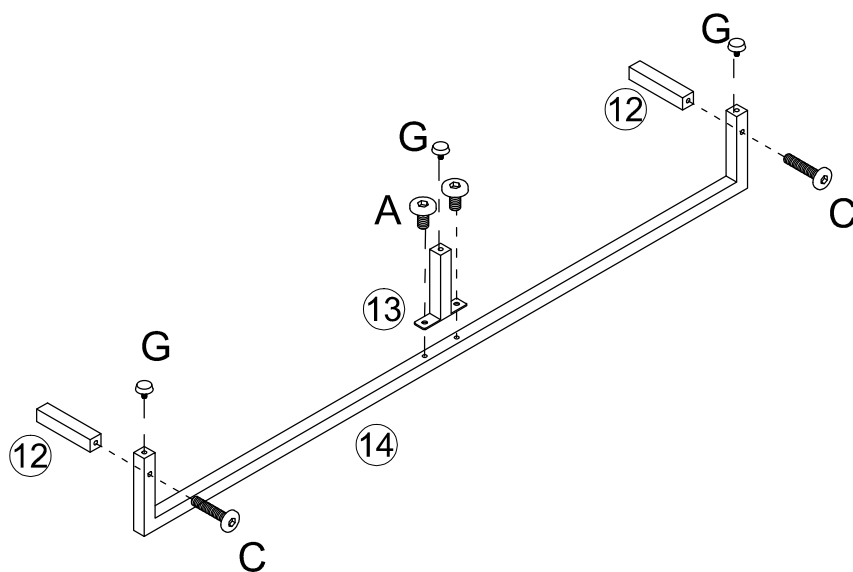
NOTE: If the 30 boards are not easy to fit in, please loosen the 36 connecting pipes a little.

# Step: 29



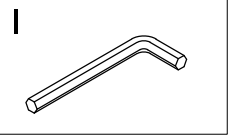
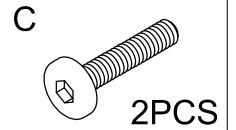
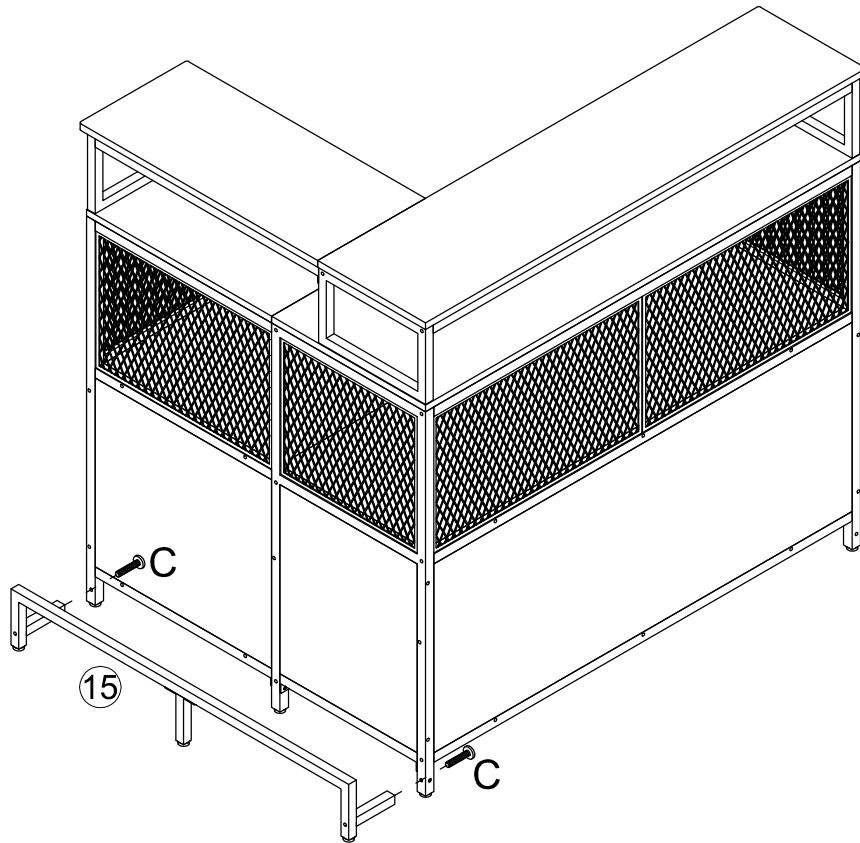
12		2PCS
13		1PCS
15		1PCS
A		2PCS
C		2PCS
G		3PCS
I		

# Step: 30

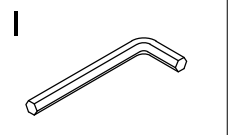
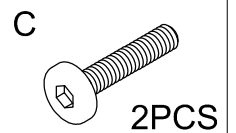
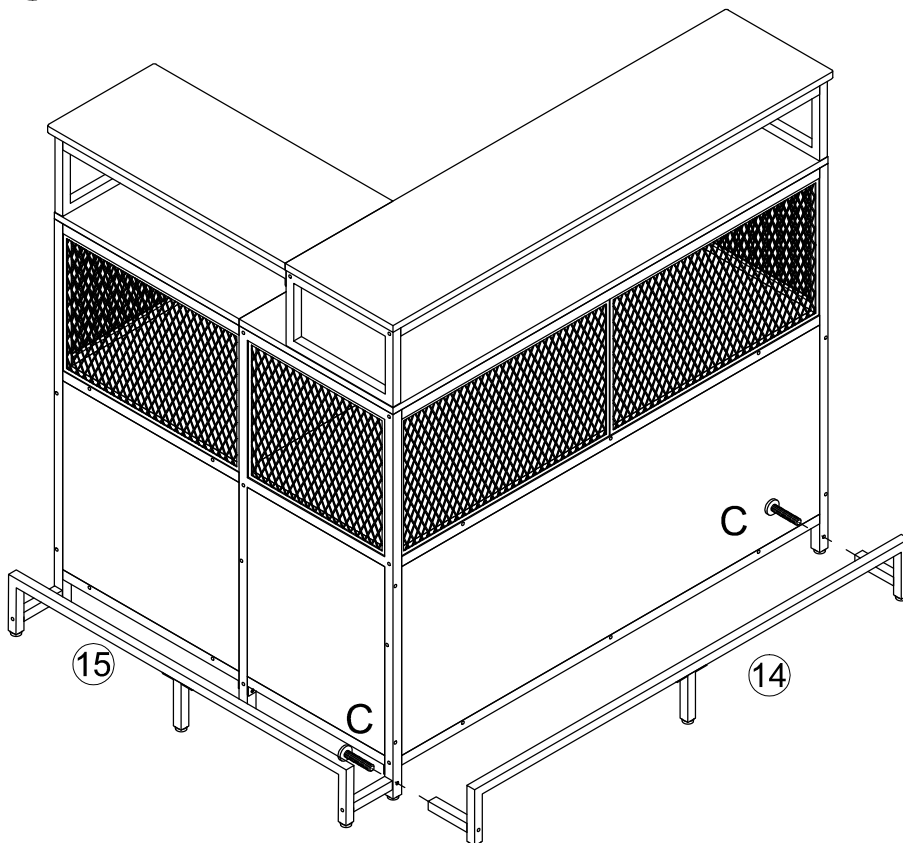


12		2PCS
13		1PCS
14		1PCS
A		2PCS
C		2PCS
G		3PCS
I		

# Step: 31

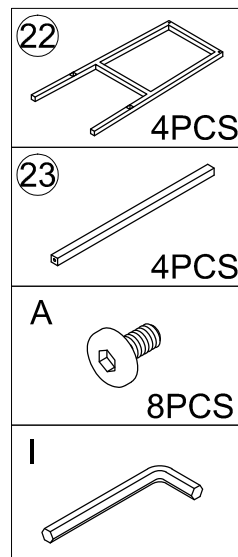
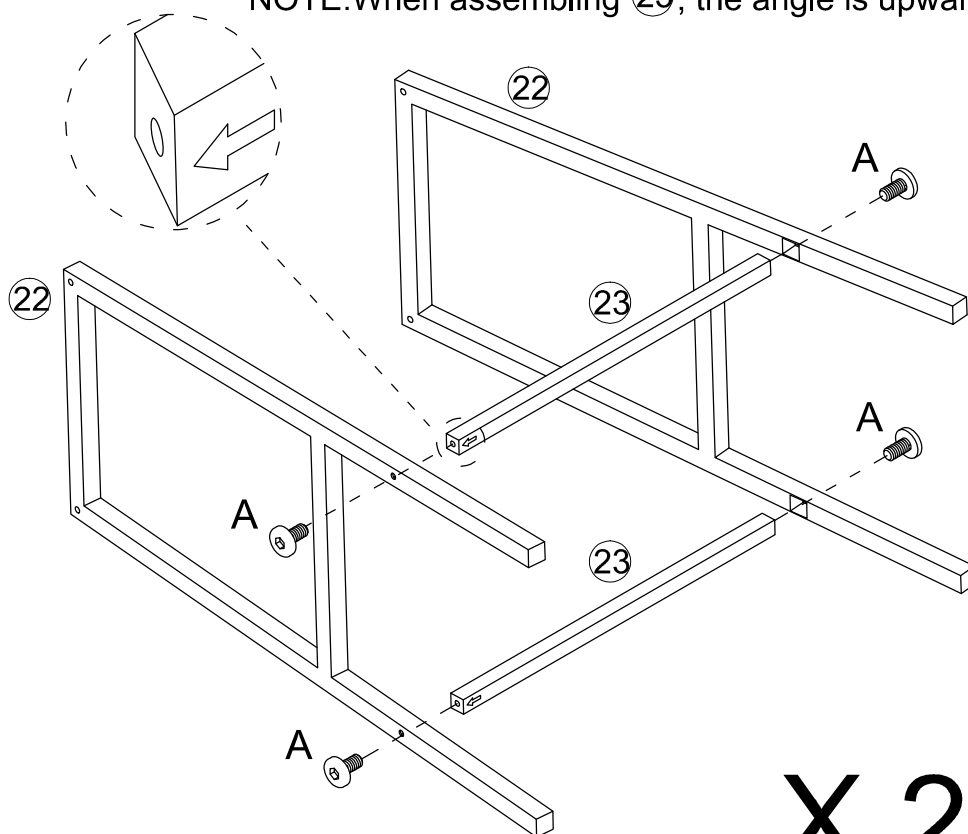


# Step: 32



# Step: 33

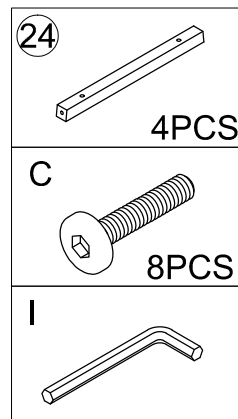
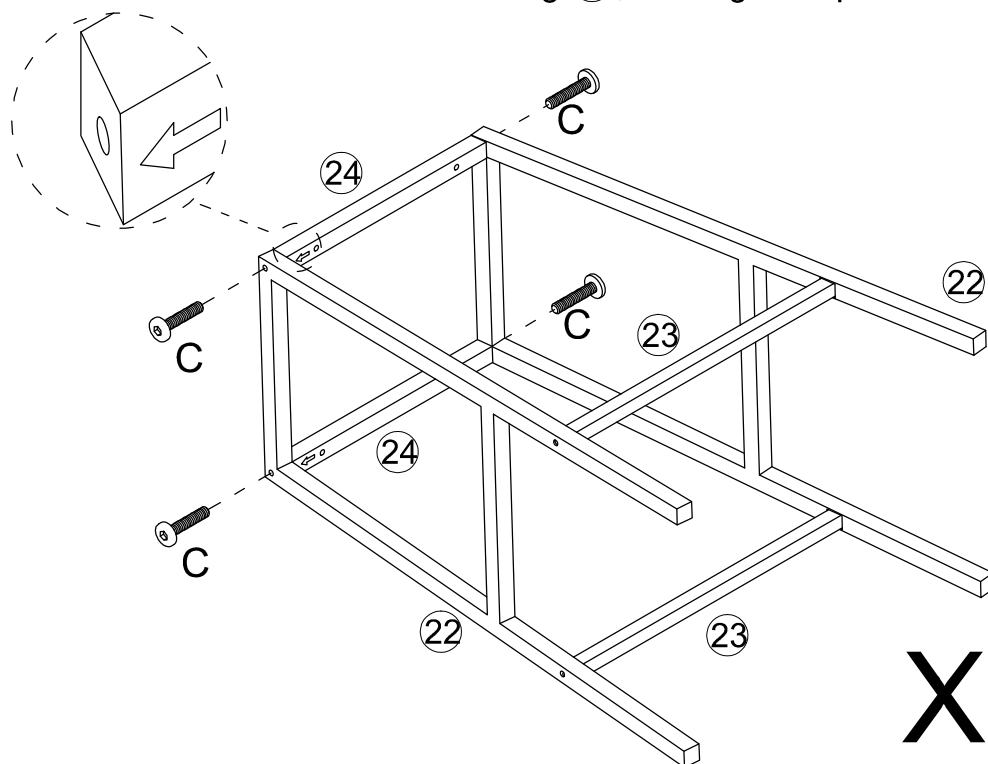
NOTE:When assembling ②3, the angle is upward.



# X 2

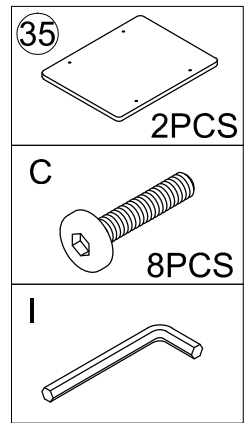
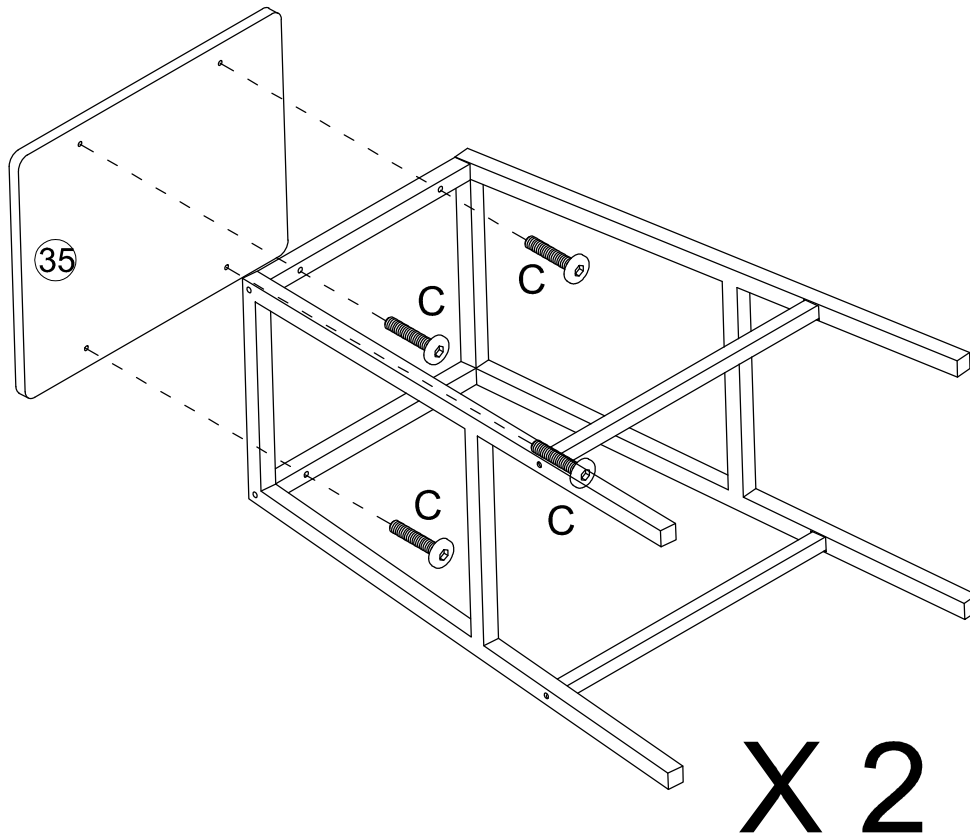
# Step: 34

NOTE:When assembling ②4, the angle is upward.



# X 2

# Step: 35



# Step: 36

