



Love For Sleep

Amie - Densie - Jacob - Mia

To ensure that your cot bed is used in accordance with these instructions, please read them fully.

- WARNING:** Be aware of the risk of open fire and other sources of heat, such as electric bar fires, gas fires, etc. in the vicinity of the under cot bed drawer.
- WARNING:** Do not use the bed if any part is broken, or missing.

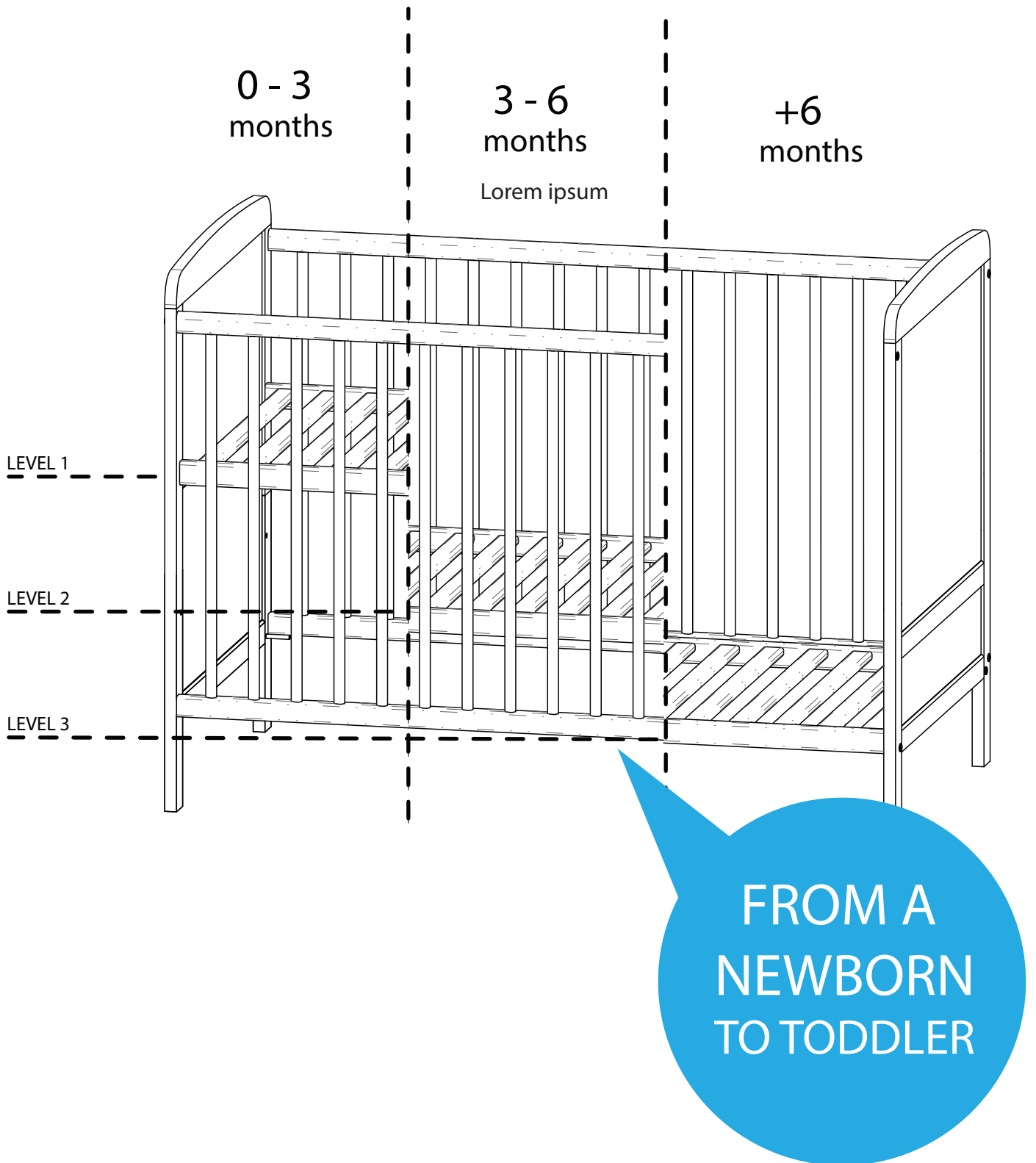
All assembly fittings should be tightened properly and care should be taken to ensure that no drawstrings, necklaces) this could lead to strangulation. Regularly check that all fittings and components of the under cot bed are fully tightened and in working order.

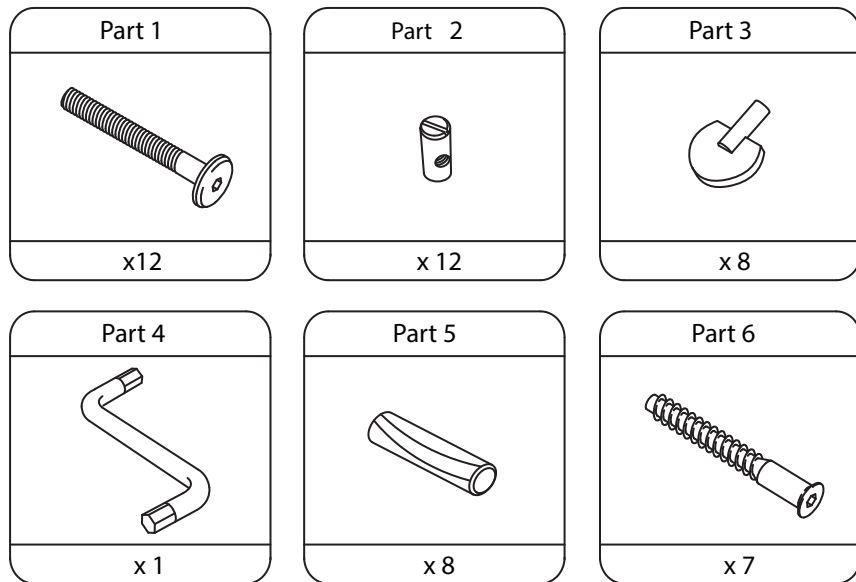
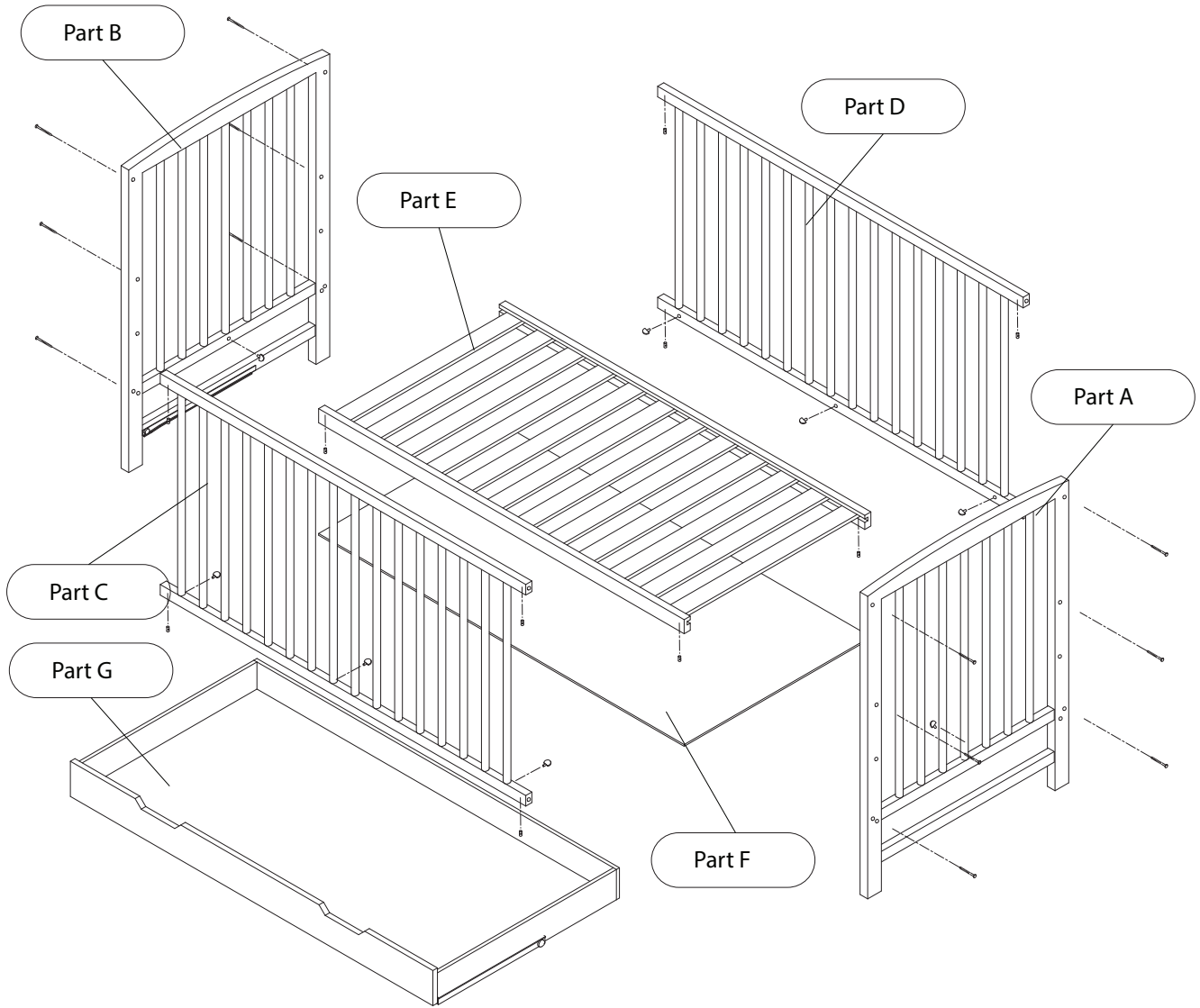
Standing in, or using the cot bed other than for its intended purpose, could cause damage to the structure or serious injury to your child. Wood is a natural material, the colour will darken with age.

ROUTINE CARE & MAINTENANCE

- For cleaning, use only a mild detergent and warm water.
- Do not use bleach.
- Do not use any abrasive substances.
- Take care when handling or moving furniture, careless handling can damage wooden furniture.

Due to constant updating and improvements, some components may occasionally differ slightly from the images shown in these instructions. We reserve the rights to change the specifications of any products without prior notice. If you need any assistance please contact your retailer from whom you purchased your product, who will take appropriate action.

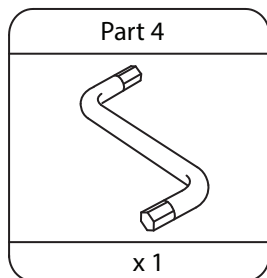
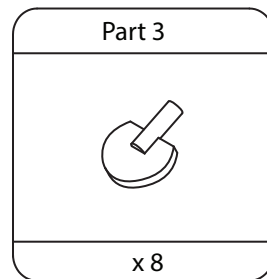
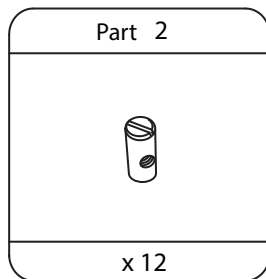
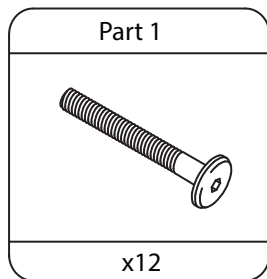
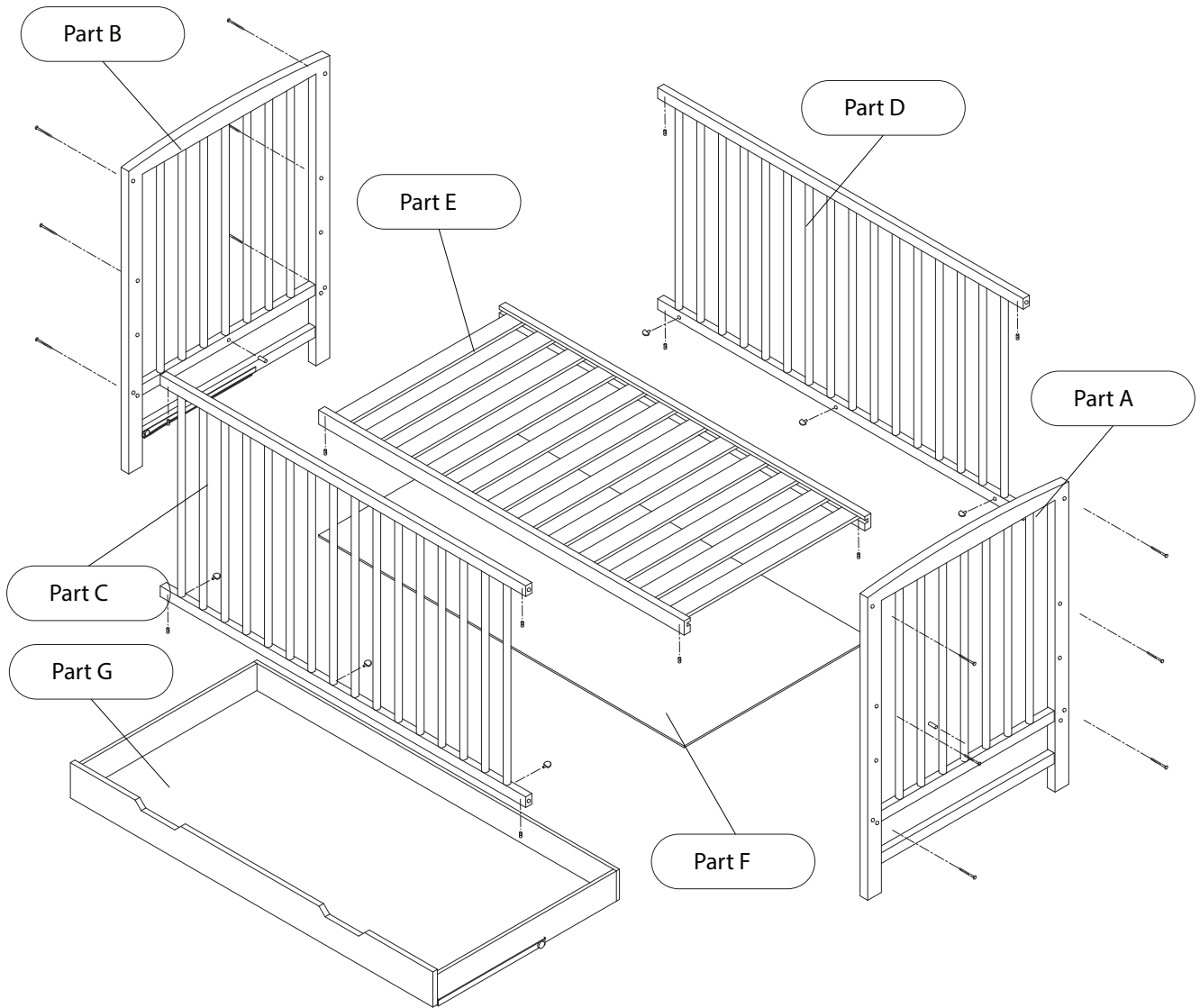




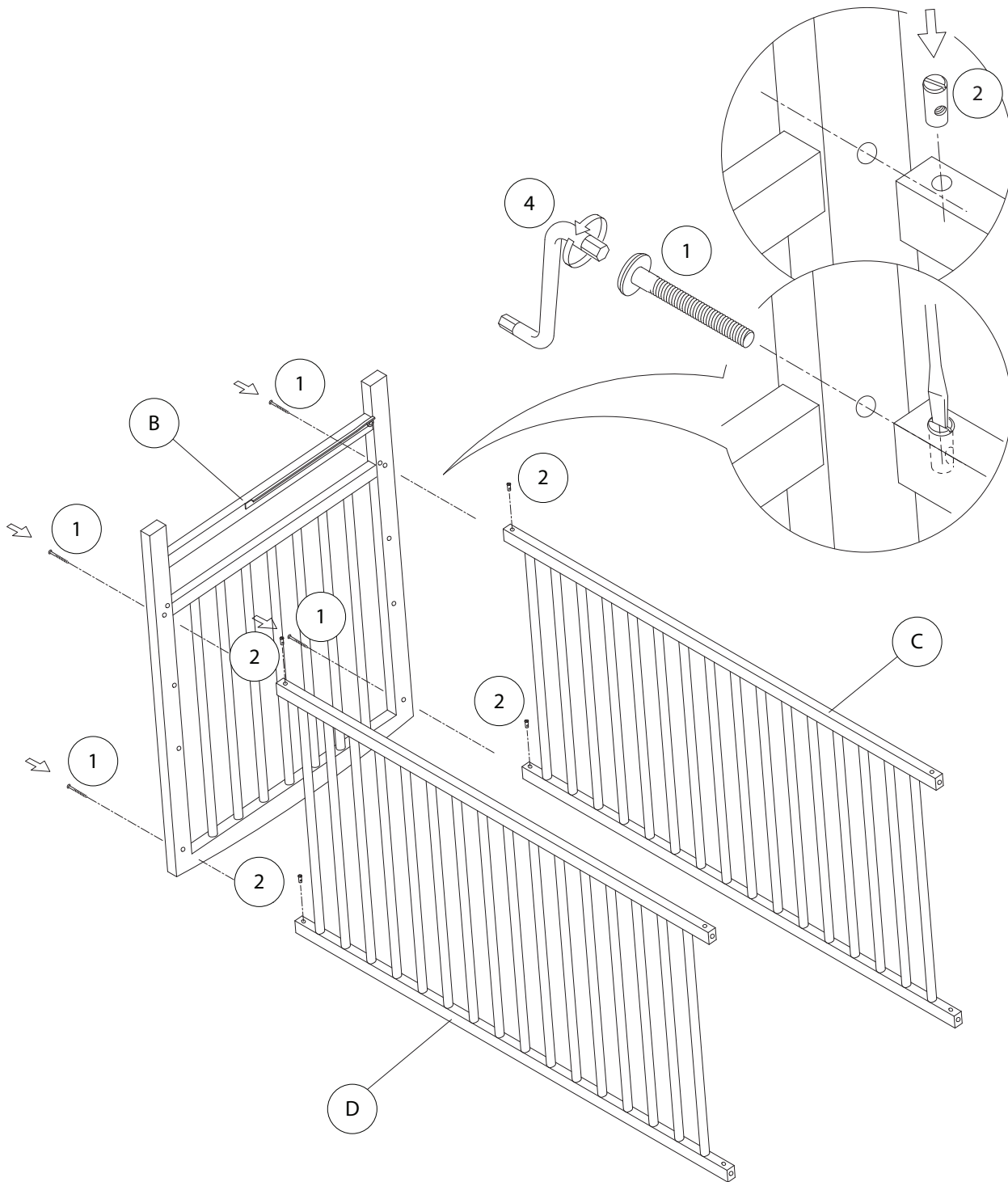
NOTE:

Part G (drawer) shall be assembled according to instructions from page 13.

CLOSE BED

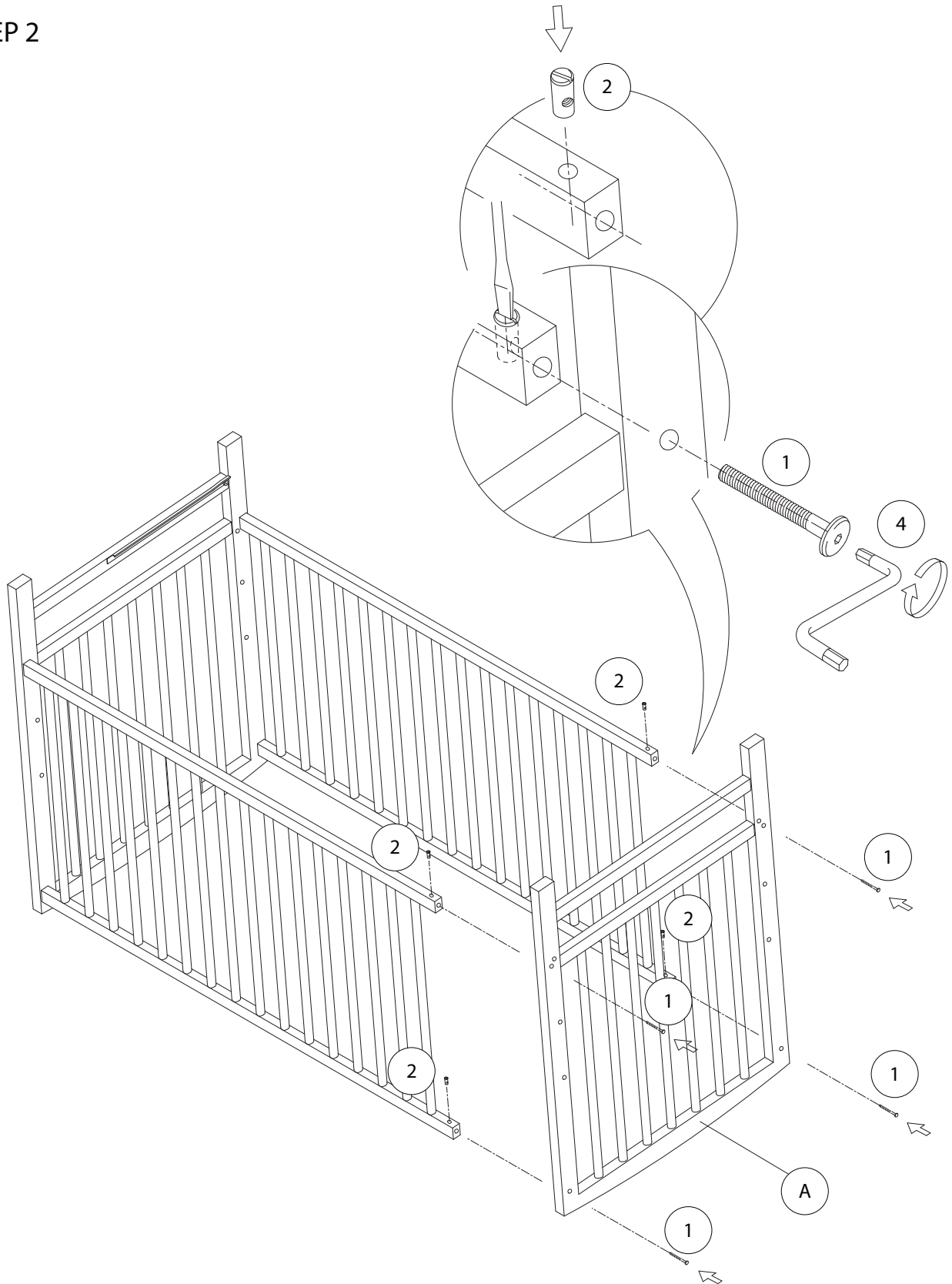


STEP 1



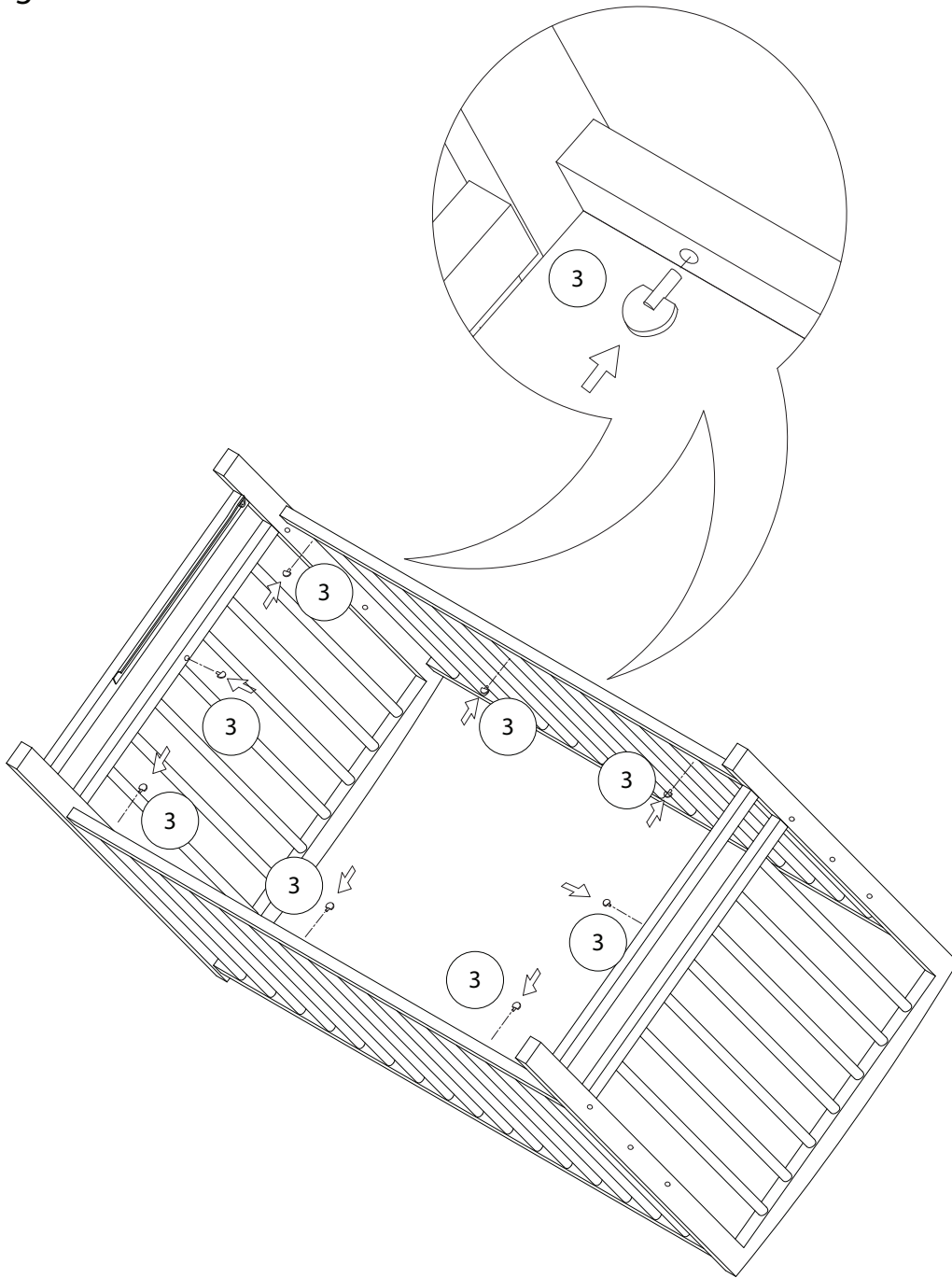
Push nut #2 into the slots located in parts C, D. Hold nut #2 in place by using a flat head screwdriver and make sure that nut #2 is correctly positioned to allow the screw #1 to be threaded through. Screw the panels B into the sides C and D using Swedish screws #1 and Allen key #4.

STEP 2



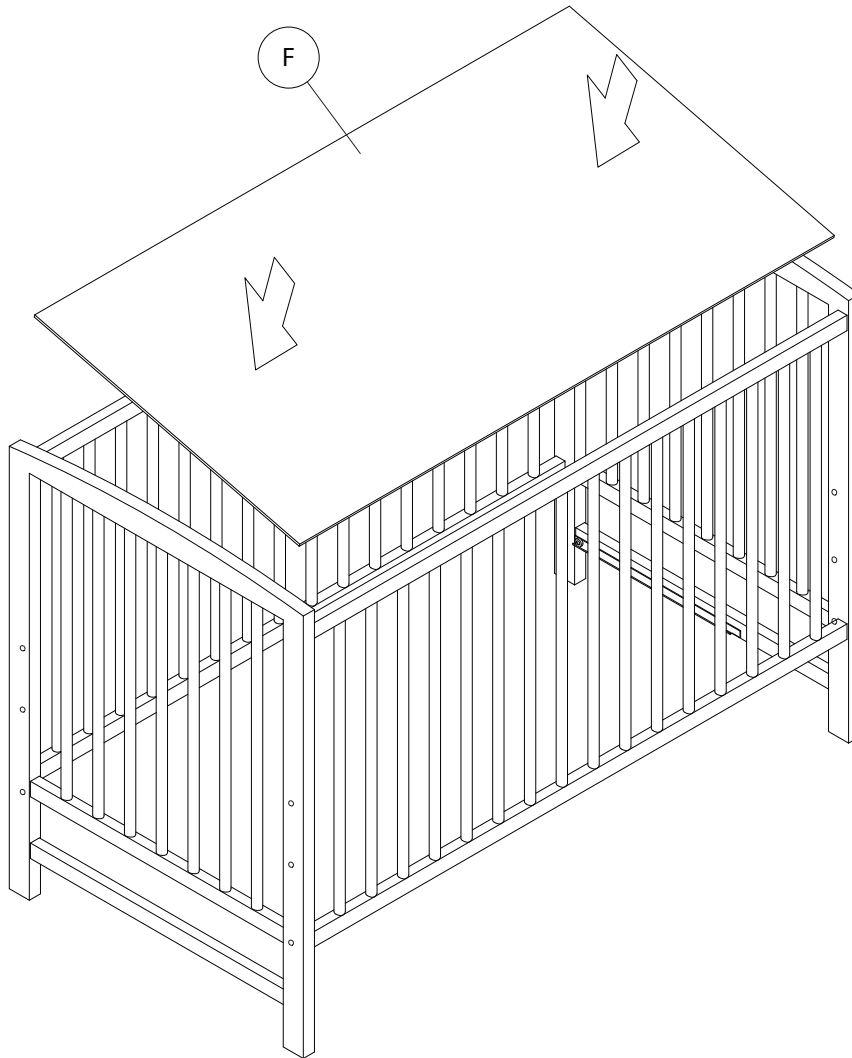
Screw the panels **A** into the sides **C** and **D** using Swedish screws **#1** and Allen key **#4**. Hold nut **#2** in place by using a flat head screwdriver and make sure that nut **#2** is correctly positioned to allow the screw **#1** to be threaded through.

STEP 3



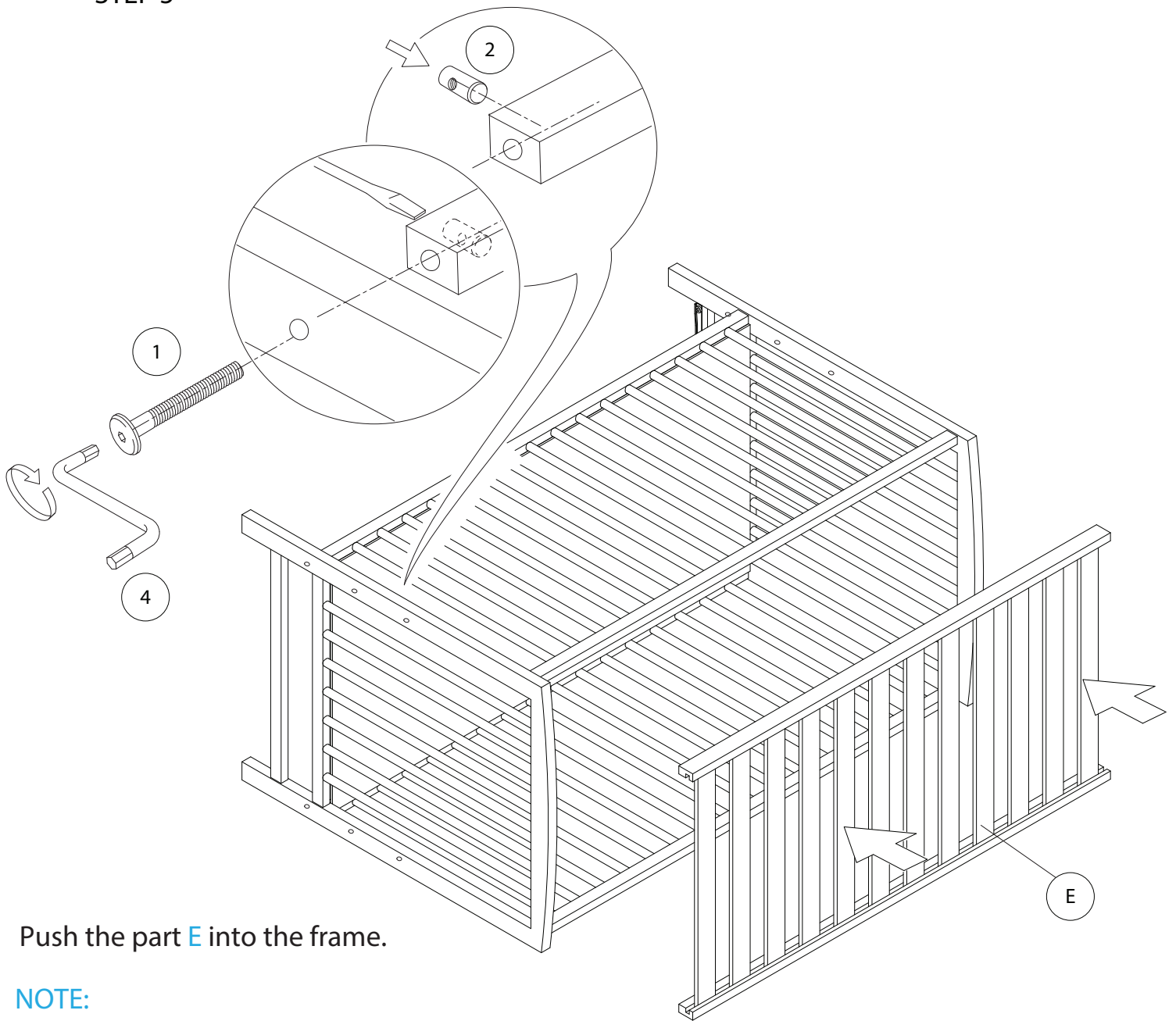
Push plastic bolts #3 into the cot slots. The cover cannot be used when the slats are on the lowest or middle position on the cot.

STEP 4



Push the drawer cover **F** into the frame. White colour to the top of bed.

STEP 5



Push the part **E** into the frame.

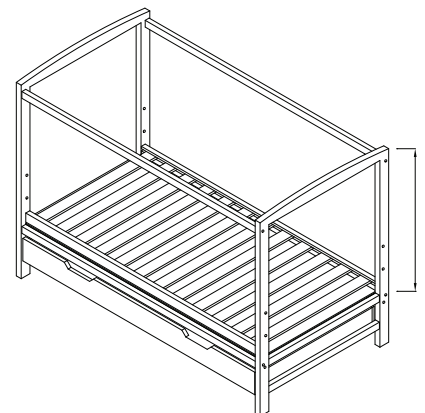
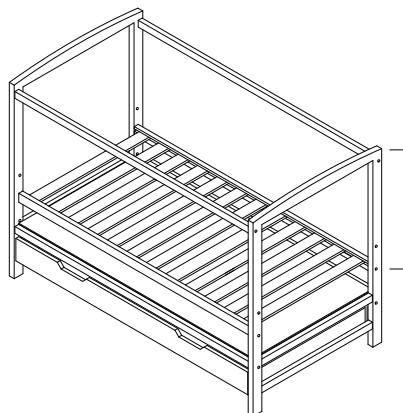
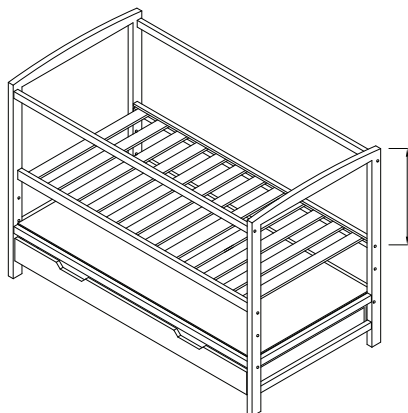
NOTE:

Bottom can be mounted at tfree different

for very small children

for small children

for older children



STEP 7



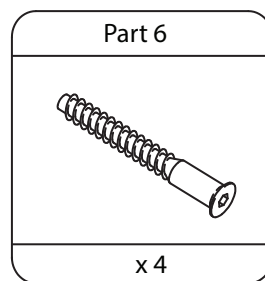
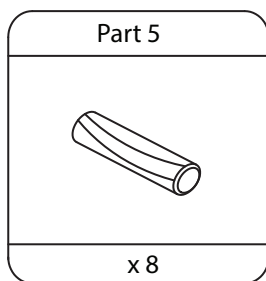
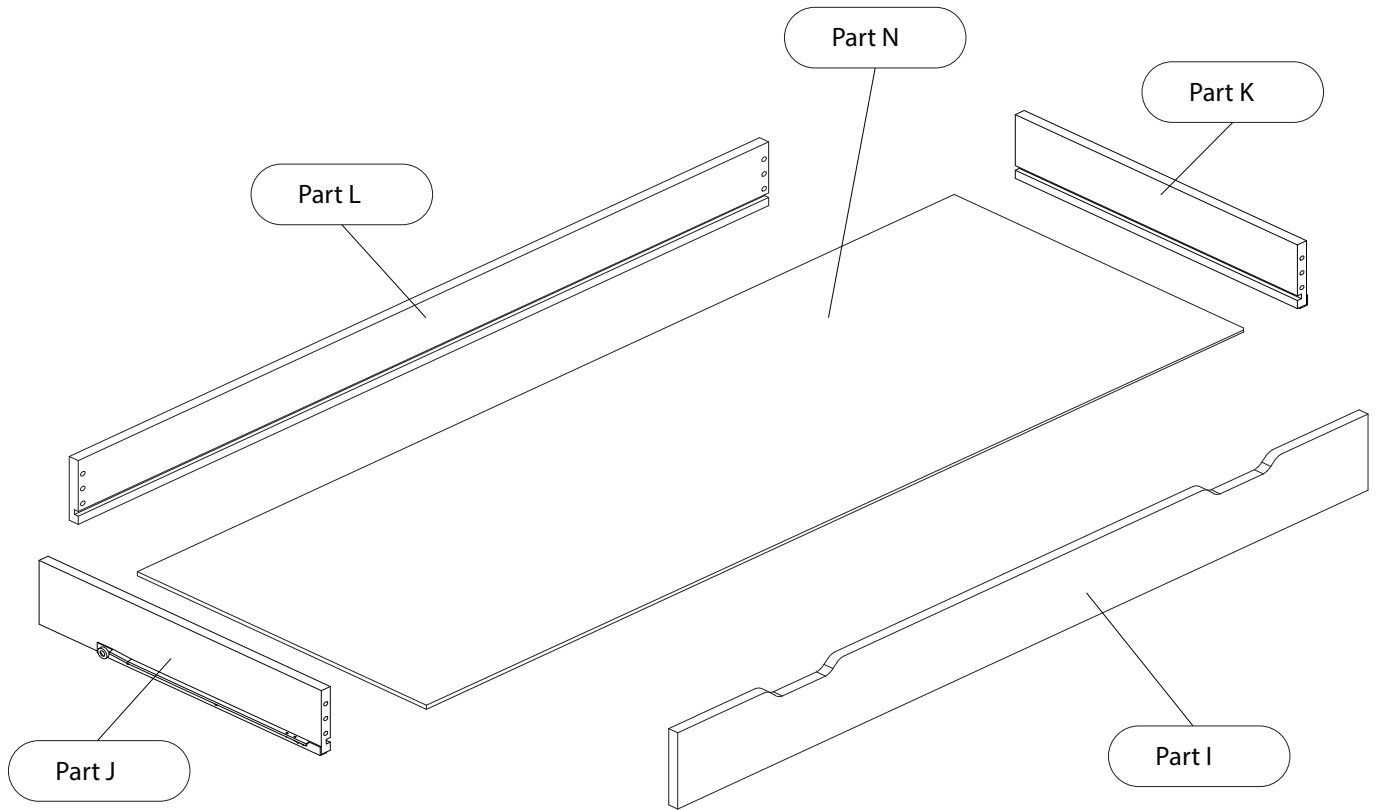
Push the assembled drawer (part **G**) into the drawer runners under the assembled cot.

STEP 8

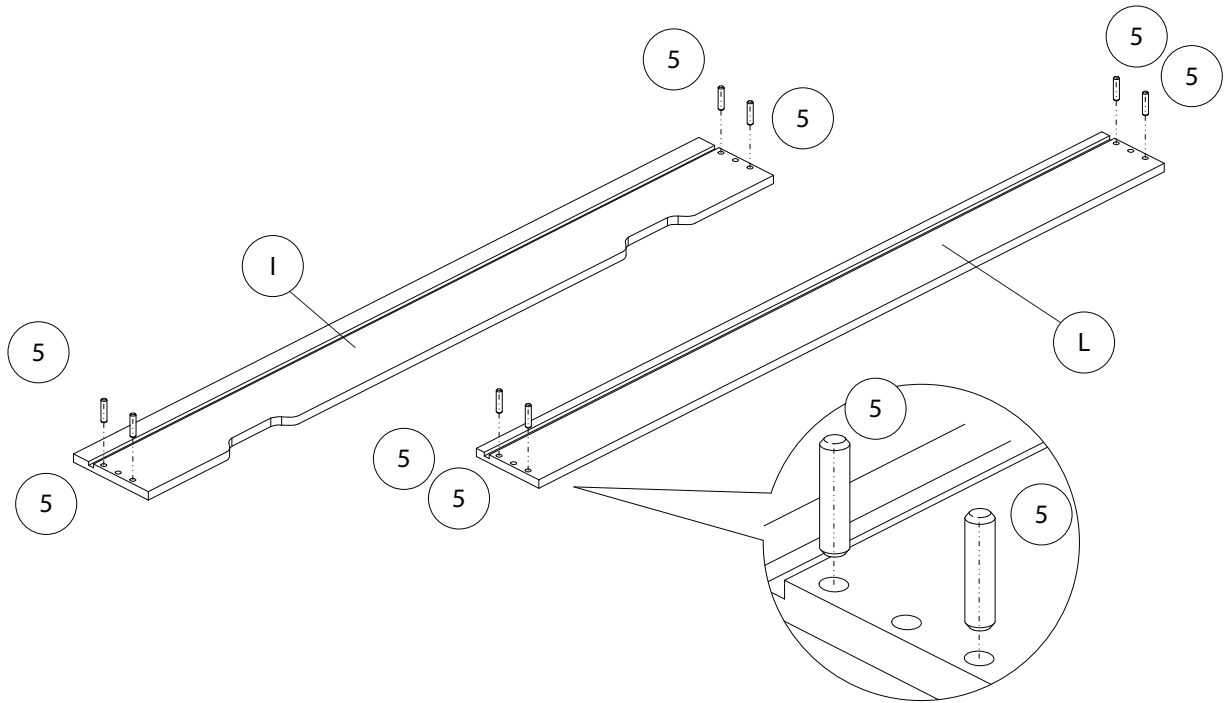


Installation completed.

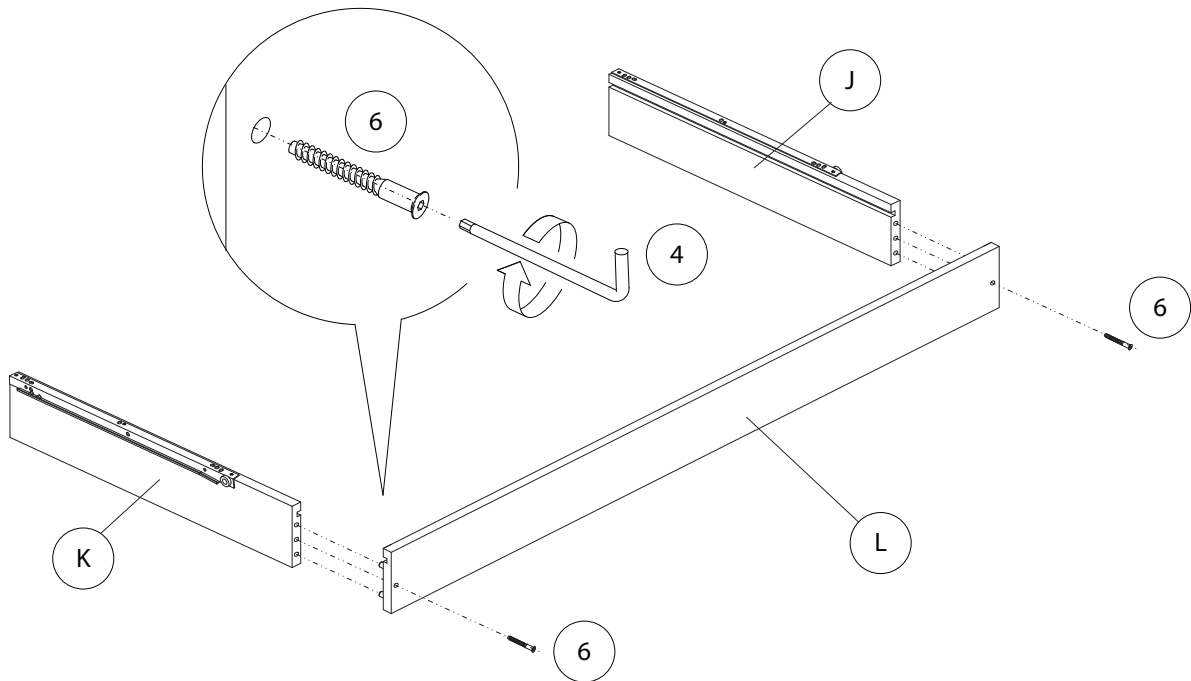
Drawer



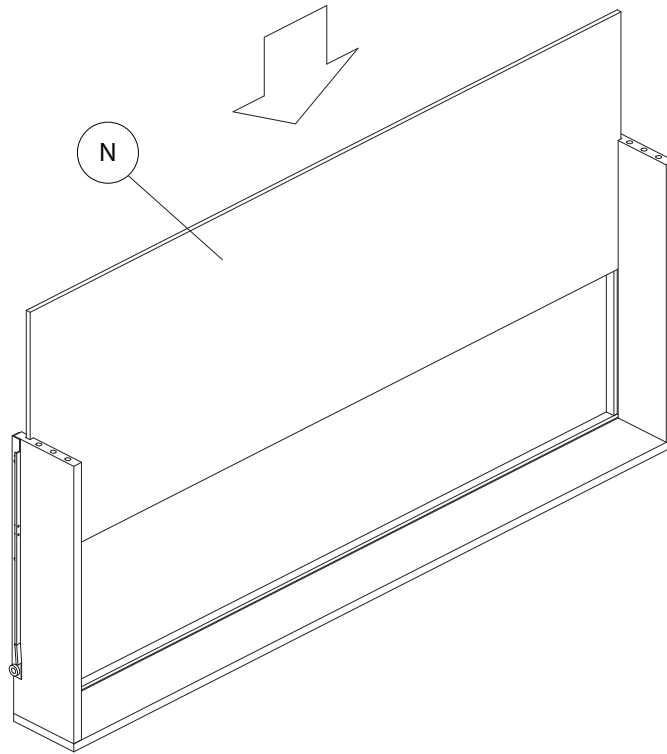
STEP 1



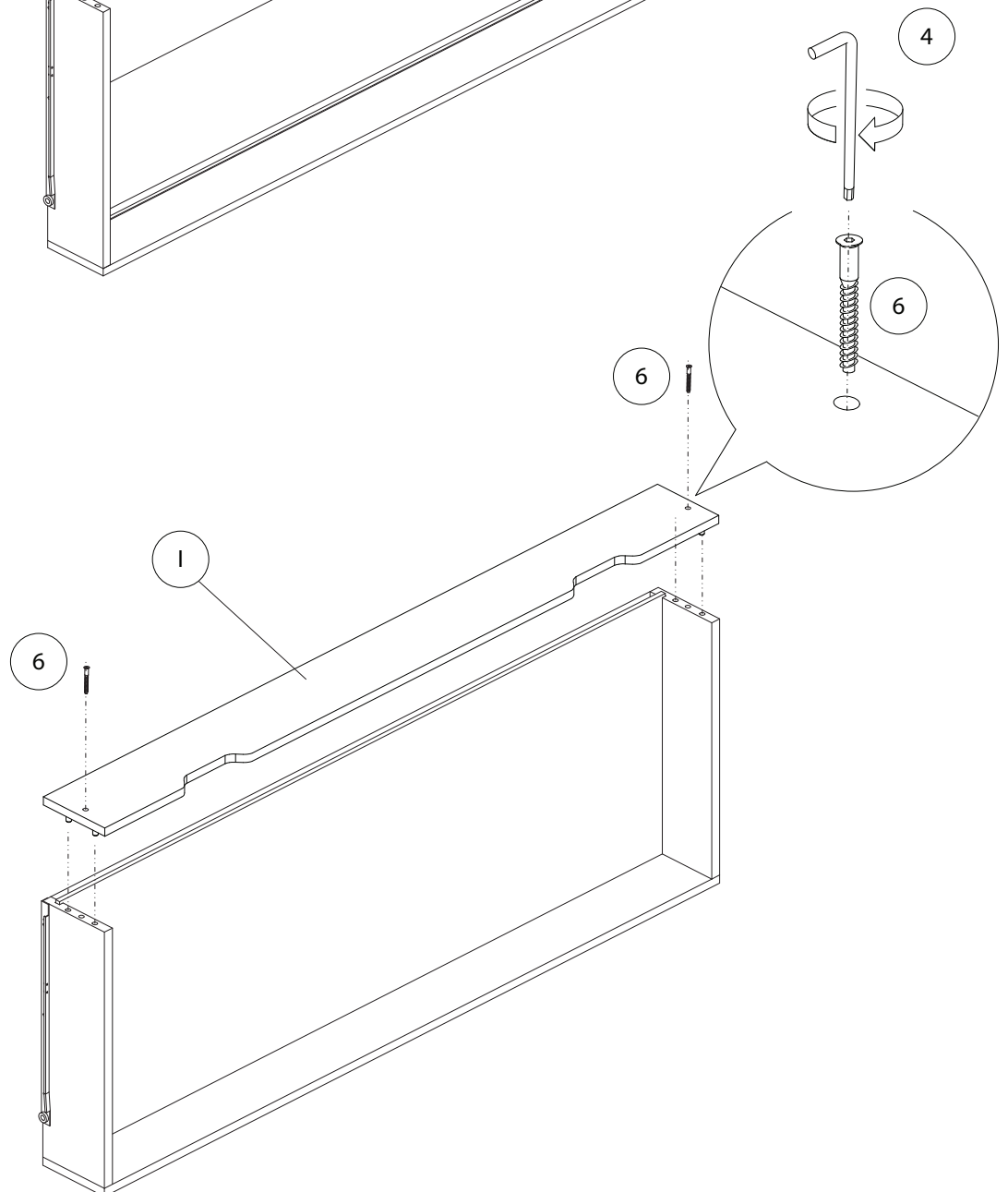
STEP 2



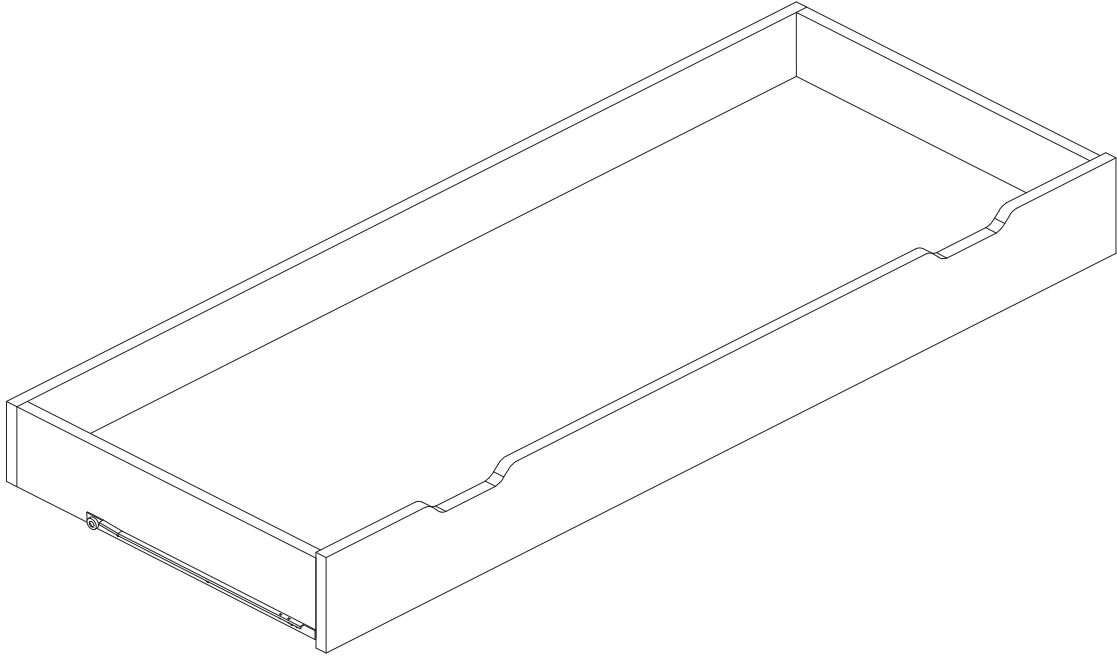
STEP 3



STEP 4

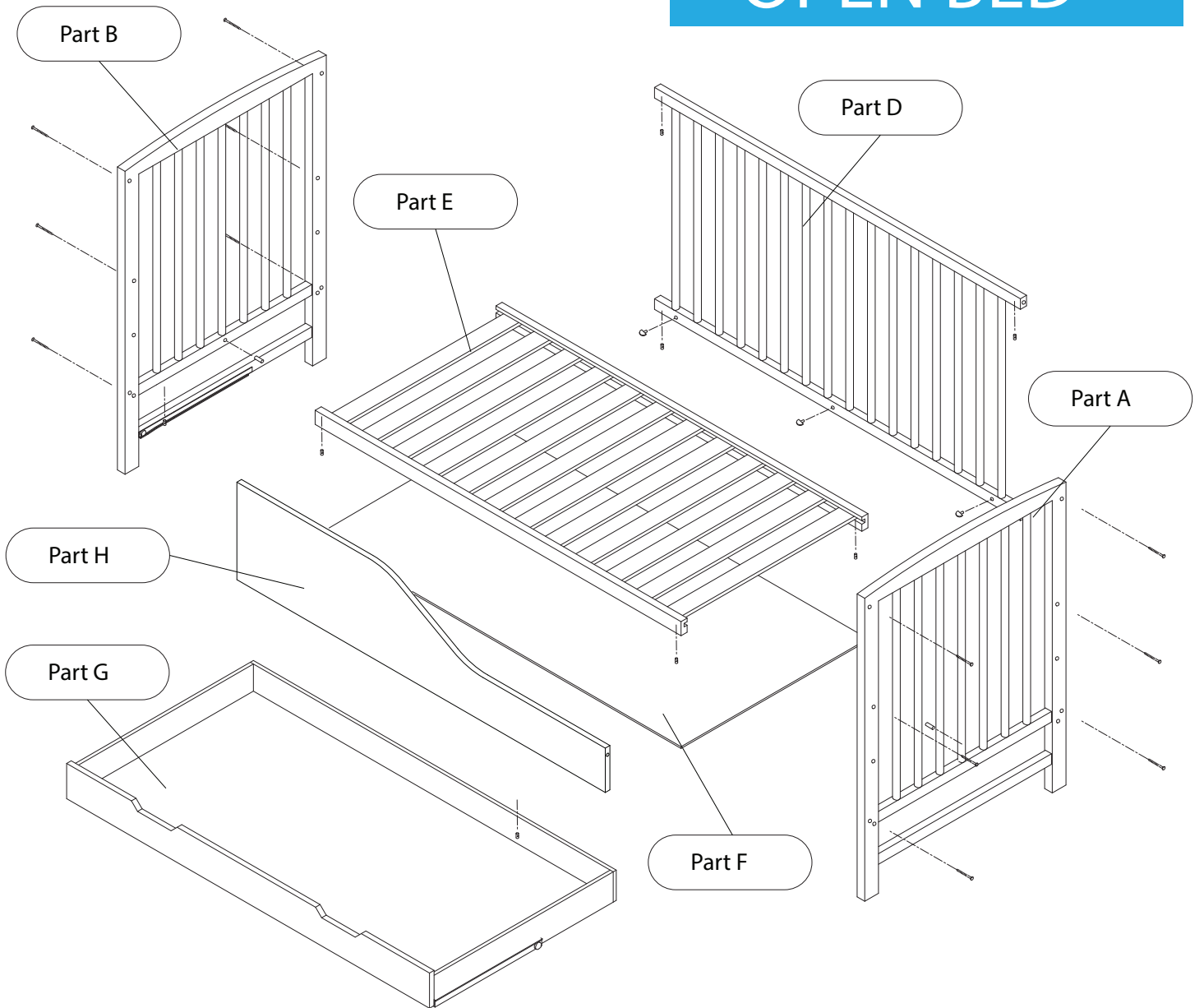


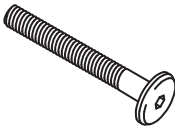


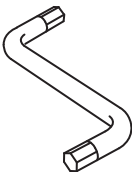
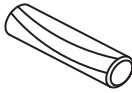
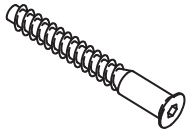
STEP 5



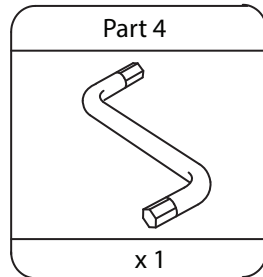
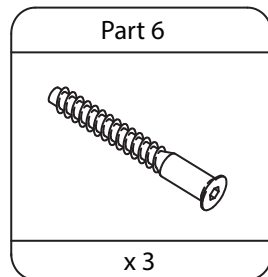
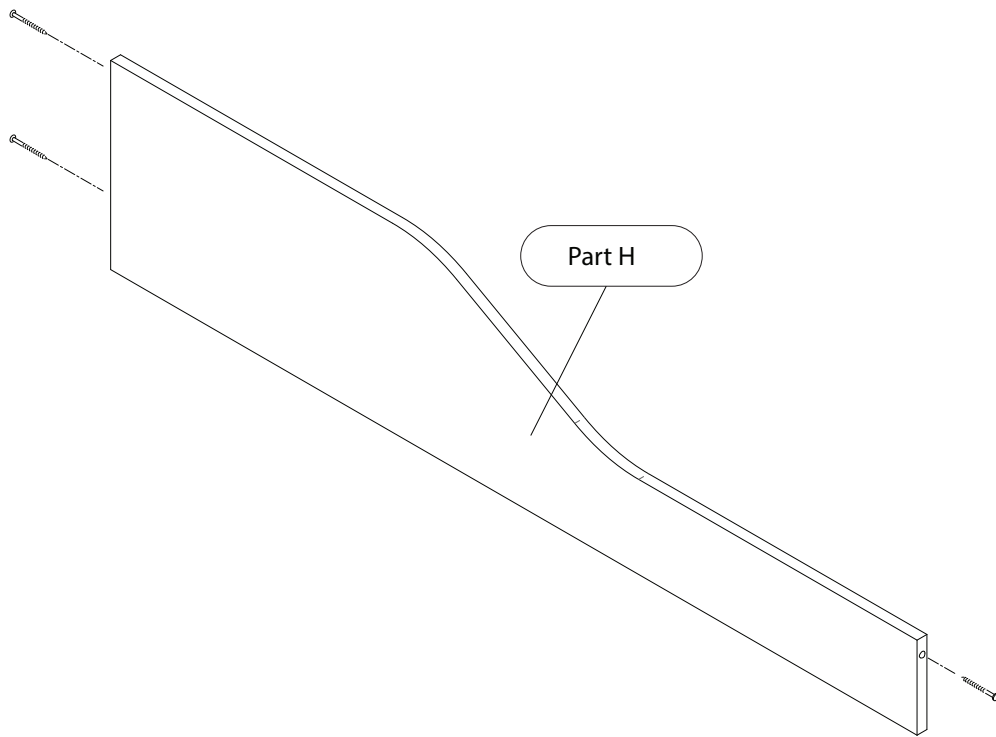
Draw installation completed.

OPEN BED

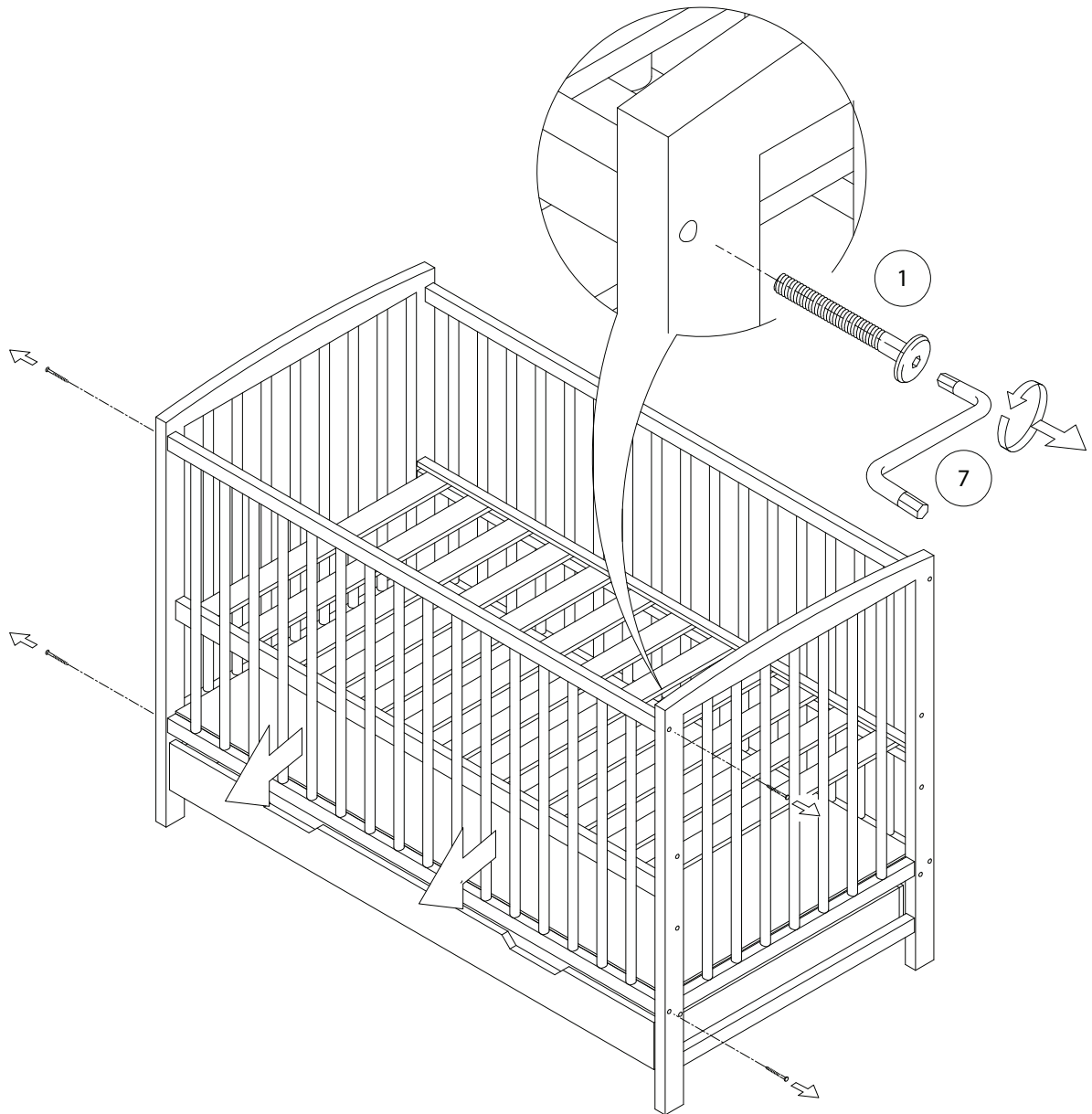


<p>Part 1</p>  <p>x12</p>	<p>Part 2</p>  <p>x12</p>	<p>Part 3</p>  <p>x8</p>
<p>Part 4</p>  <p>x1</p>	<p>Part 5</p>  <p>x8</p>	<p>Part 6</p>  <p>x7</p>

Board barrier

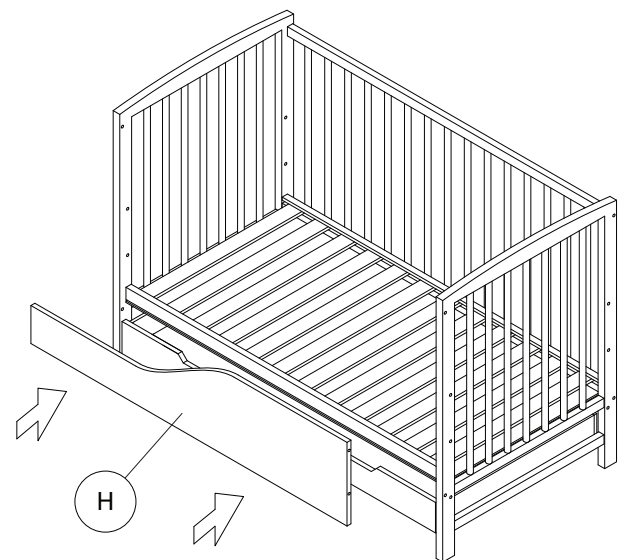
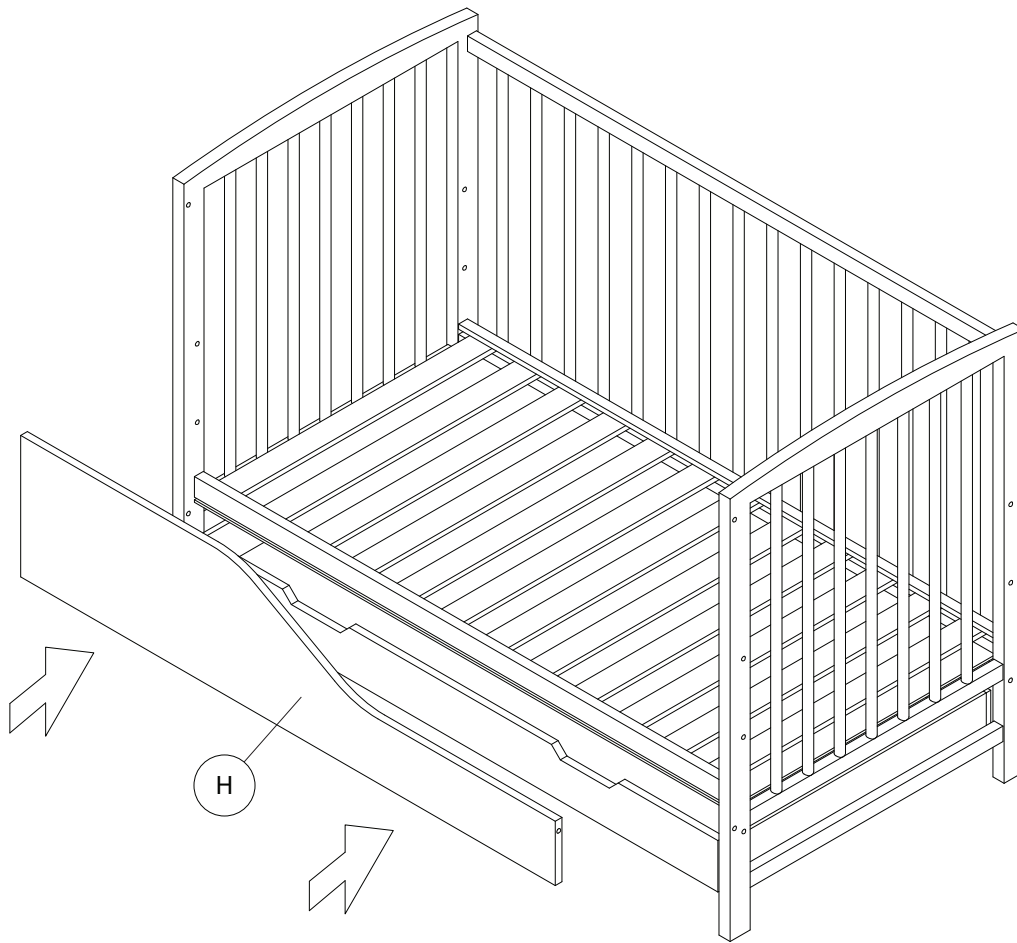


WARNING: Board barrier can be use only in case where bottom is located on the lowest position on the cot.



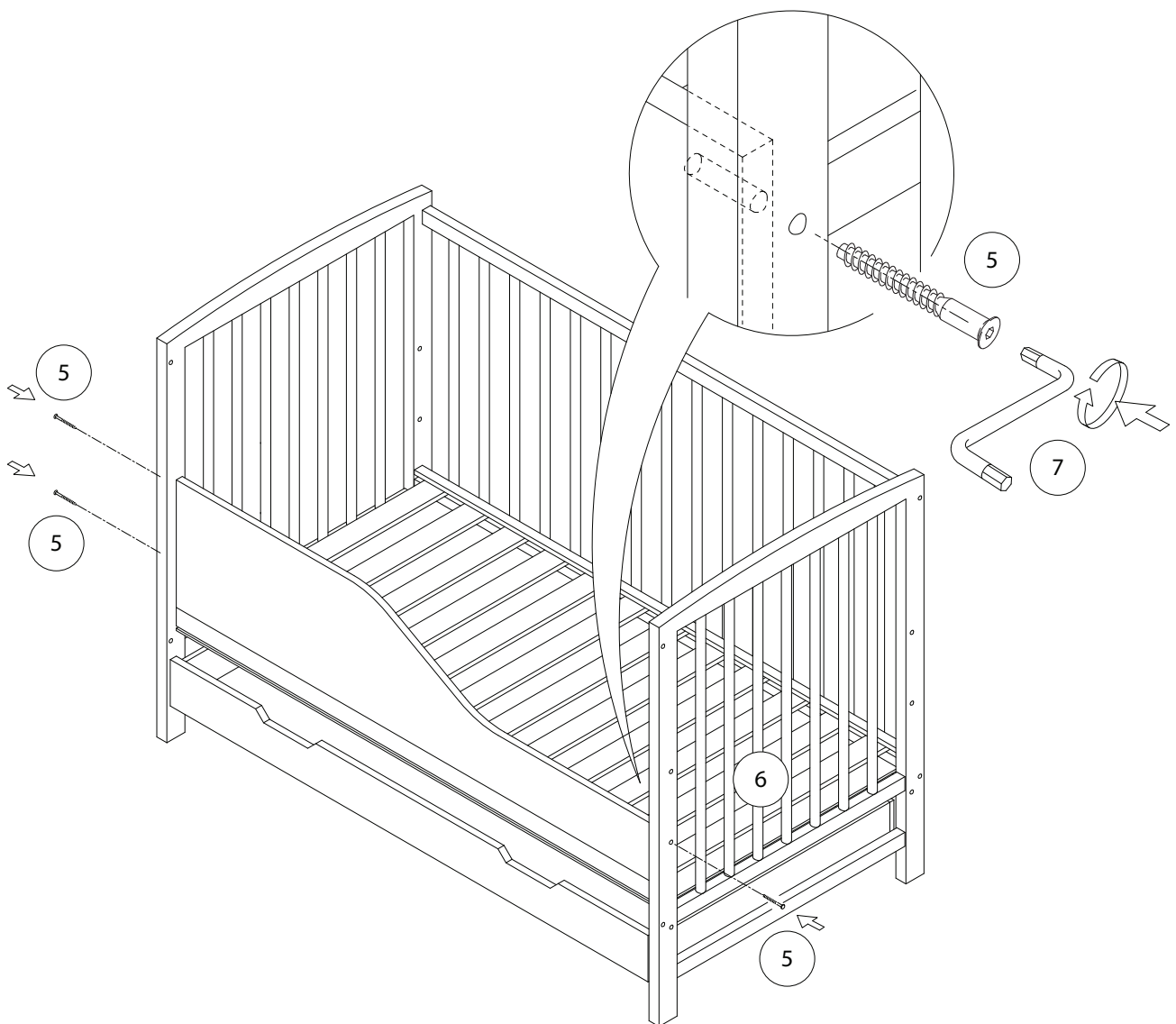
Remove screws #1 from one side using Allen key #7. Remove side panel.

STEP 10



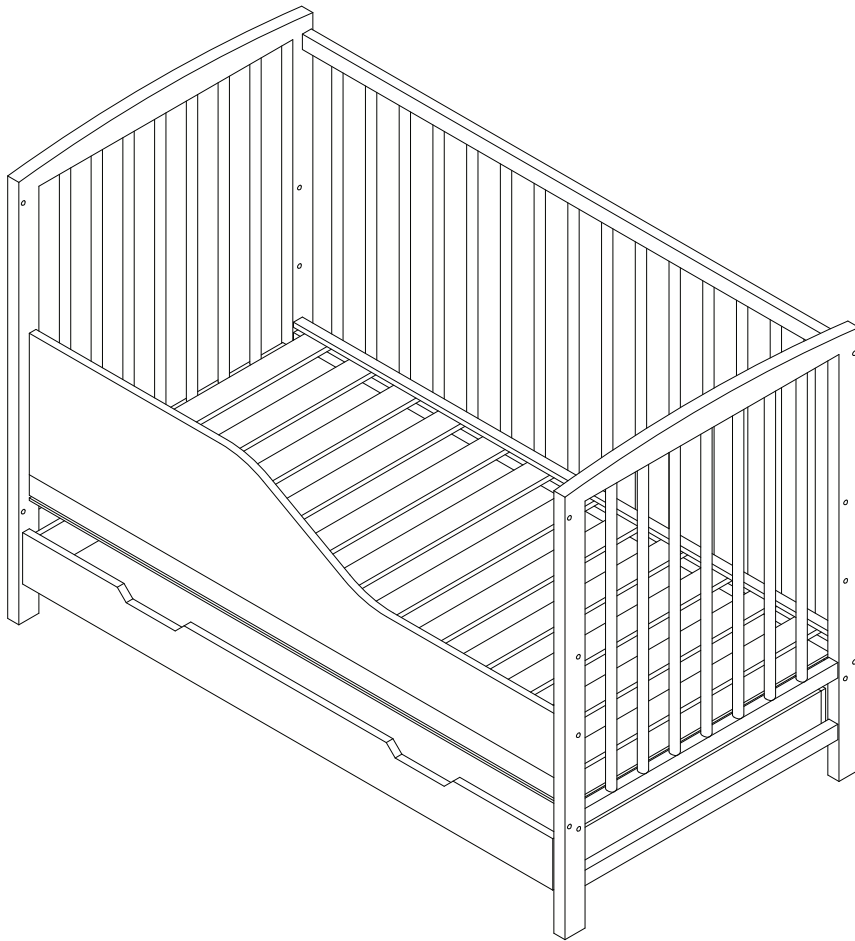
Push the board barrier **H** into the frame. Board barrier can be mounted at right and left position also.

STEP 11



Screw the panel **H** into the sides using Swedish screws **#5** and Allen key **#7**.

STEP 12



Board installation completed.