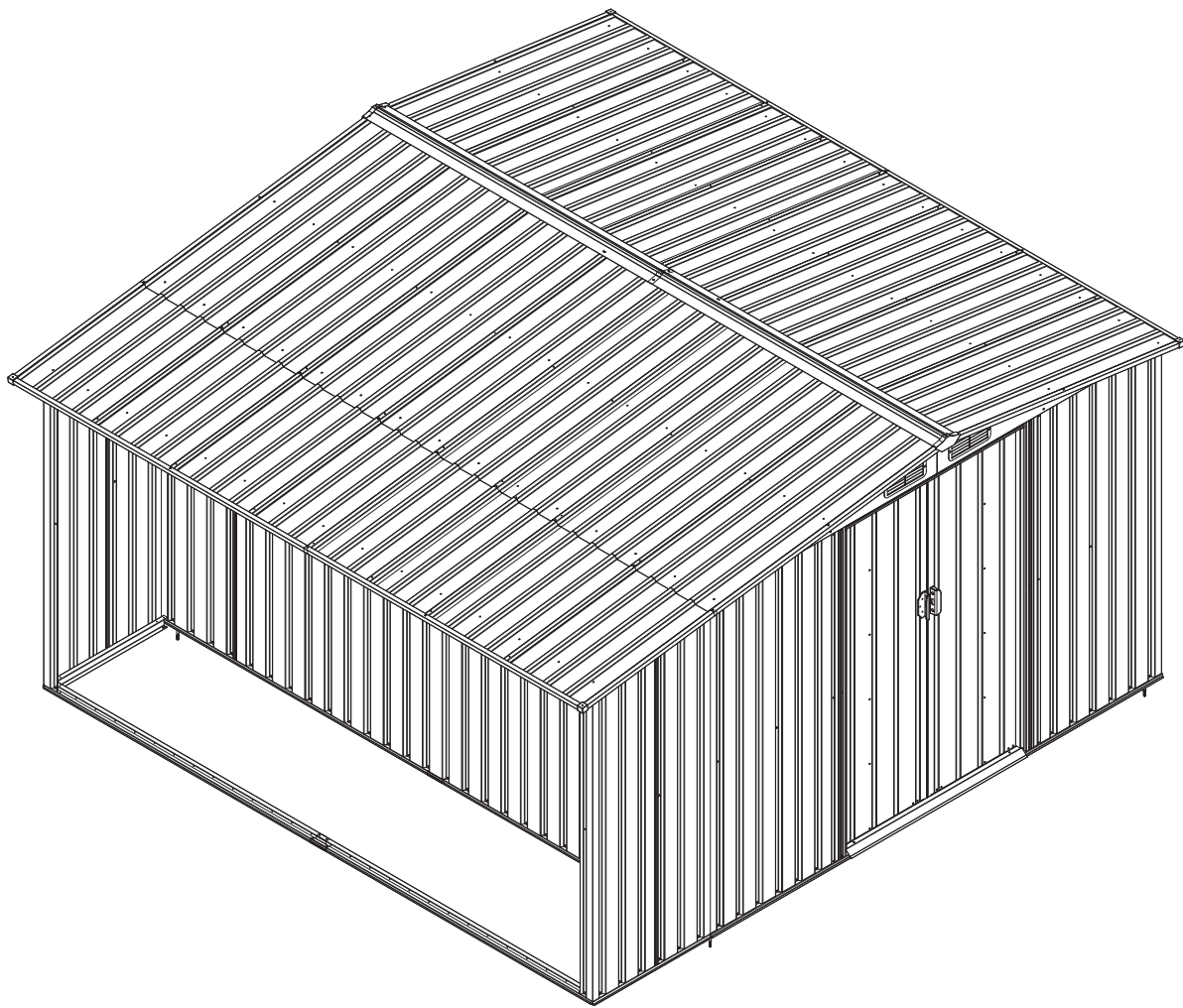


---

# METAL STORAGE SHED

---

ASSEMBLY INSTRUCTIONS  
10×8FT



---

## WARNING

Please read the instruction manual carefully before assembly.

Please assembly strictly in accordance with the instrution.

Please double-check to ensure that all parts of the package contents intact.

---

## BEFORE YOU START

**Owner's Manual:** Before starting the assembly, verify local building codes for footing, location, and other requirements. Thoroughly read and understand this owner's manual. Valuable information and useful tips will enhance the ease and enjoyment of your assembly process.

**Assembly Instructions:** Instructions are provided in this manual and all relevant details are included for this shed. Review all instructions before starting, and carefully follow the step sequence during the assembly.

**Parts and Parts List:** Ensure you have all the necessary parts. Organize the contents of the carton by part number referring to the parts list. The first few steps demonstrate how to assemble related parts into larger sub-assemblies for later use. Familiarize yourself with the included hardware and fasteners to streamline the assembly process.

The above are packaged within the carton. Please note that extra fasteners are included for your convenience.

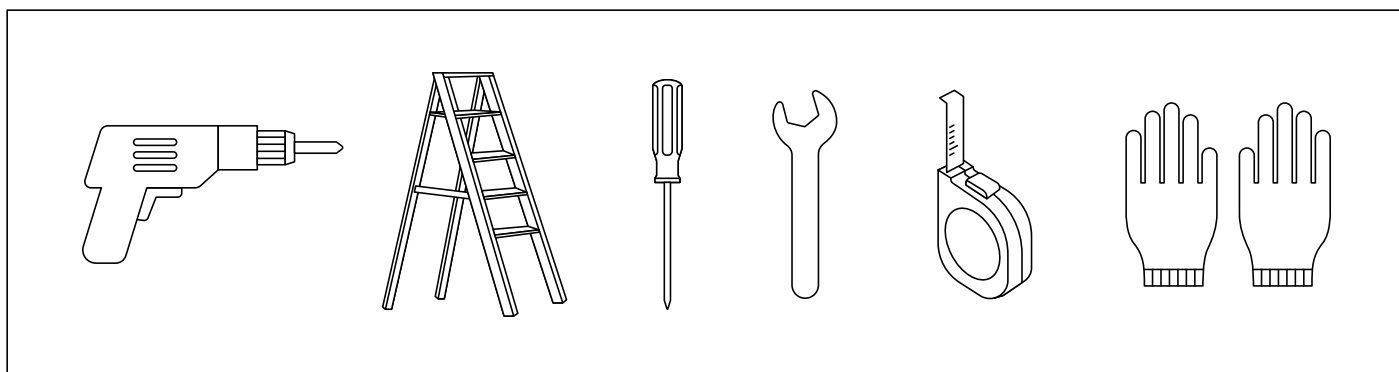
## PLAN AHEAD

**Check the Weather:** Ensure the weather the day chosen for installing the shed is fine. Avoid assembling on windy days, and exercise caution on wet or muddy ground.

**Teamwork:** Whenever possible, engage two or more individuals on the assembly. One person can position parts or panels while the other handles fasteners and tools.

**Tools and Materials:** Here are some essential tools and materials for the assembly. Determine the anchoring method and foundation type you intend to use to make a comprehensive list of required materials.

### Required Tools:

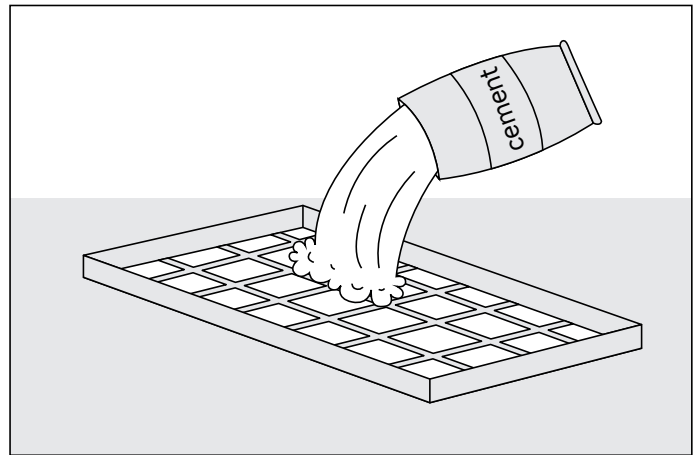
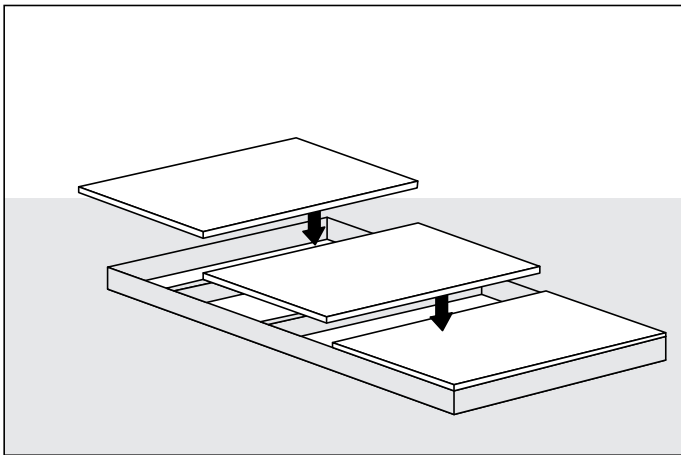


# SITE PREPARATION

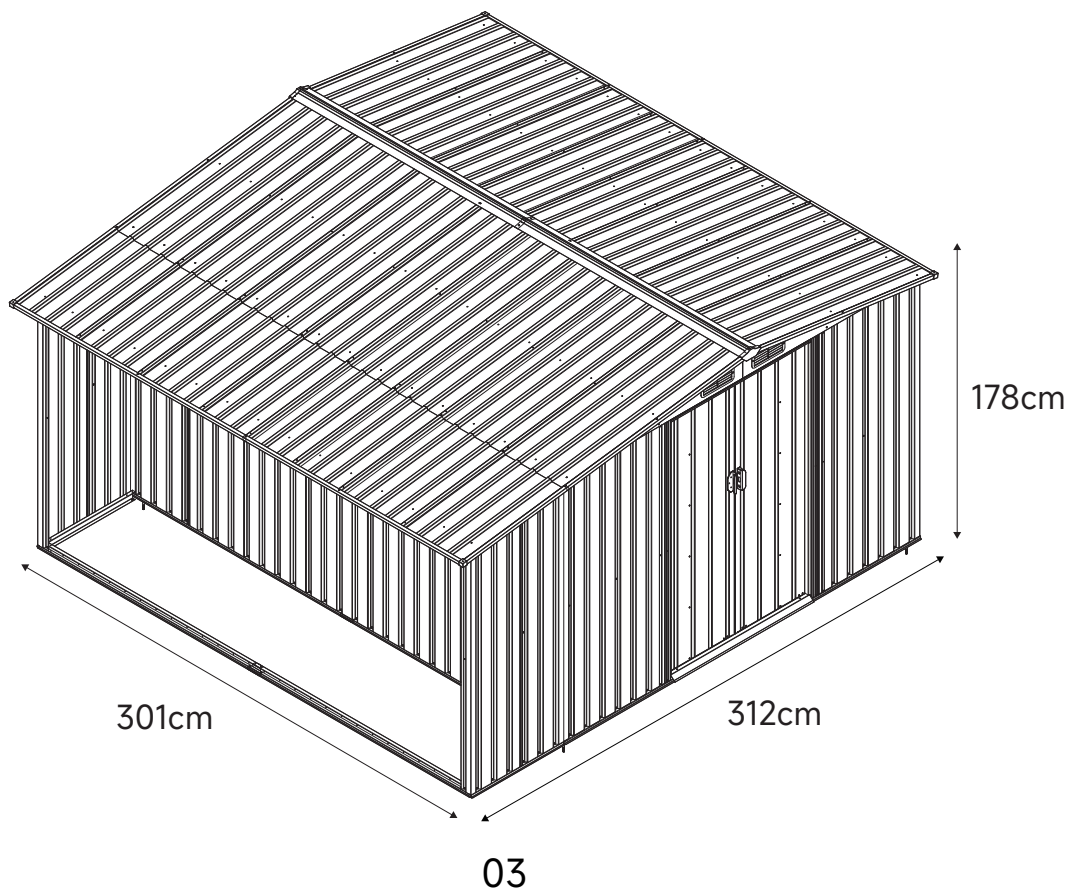
Clear and Level the Ground Surface



Recommendation: Build a wooden or concrete base as the foundation.



External Dimensions of the Product:



## CARE & MAINTENANCE

**Finish:** For a long-lasting finish, periodically clean and wax the exterior surface. Address scratches promptly by cleaning the area with a wire brush, washing it, and applying touch-up paint according to the manufacturer's recommendation.

**Roof:** Keep the roof clear of leaves and snow with a long-handled, soft-bristled broom. Excessive snow on the roof can damage the shed, making it unsafe to enter into. In snowy areas, Roof Strengthening Kits are available for most Arrow Buildings, providing added protection against heavy snow accumulation.

**Doors:** Ensure the door tracks are free of dirt and debris. Lubricate the door track annually with furniture polish or silicone spray. Keep doors closed and locked to prevent wind damage.

**Fasteners:** Use all supplied washers for protection against weather infiltration and prevention of screw scratches to the metal. Regularly inspect the shed for loose screws, bolts, nuts, etc. and re-tighten them as necessary.

**Moisture:** Reduce condensation by placing a plastic sheet (vapor barrier) under the entire floor area.

### Other Tips...

Wash off inked part numbers on coated panels with soap and water.

Use silicone caulking for watertight seals throughout the shed.

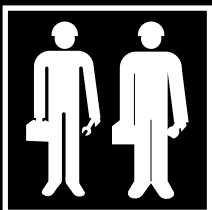
Avoid storing swimming pool chemicals in the shed. Store combustibles and corrosives in airtight approved containers.

## WARNING

Carefully read the instruction manual before the assembly.

Strictly follow the assembly instructions.



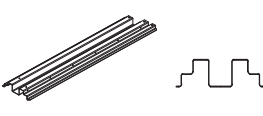
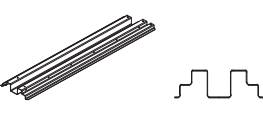




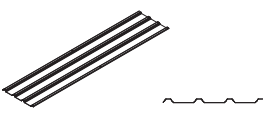
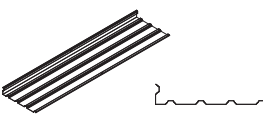

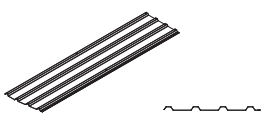
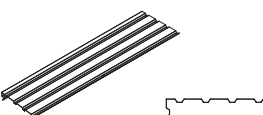
Double-check to ensure that all parts in the package are intact.


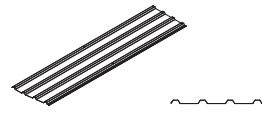
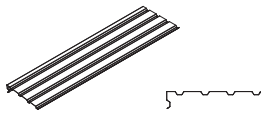
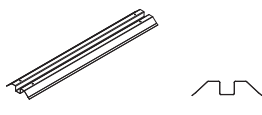
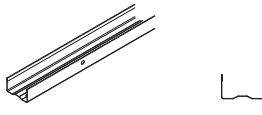
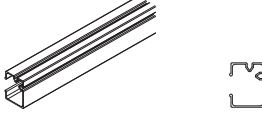
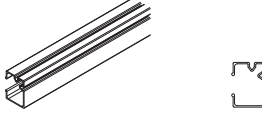
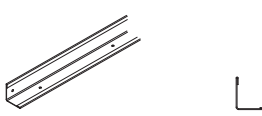
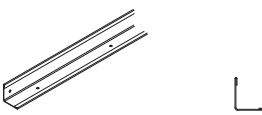
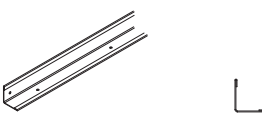
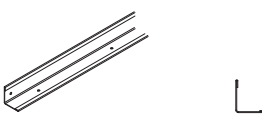
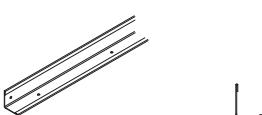
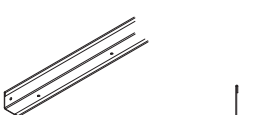


This product requires two individuals for installation, taking approximately 2-3 hours.

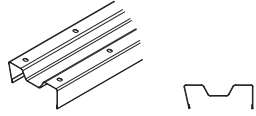
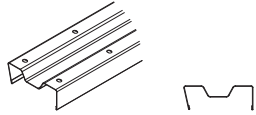
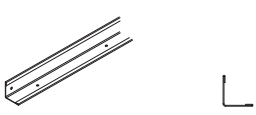
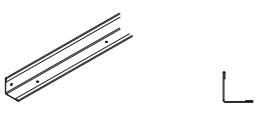


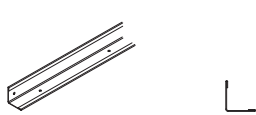
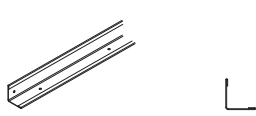

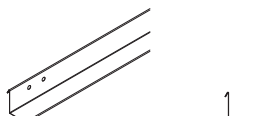
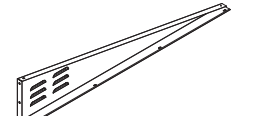
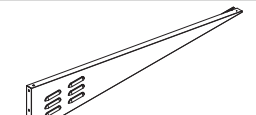
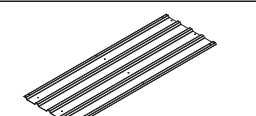
Wear gloves to prevent injuries.

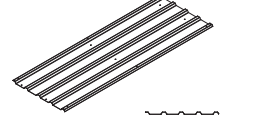
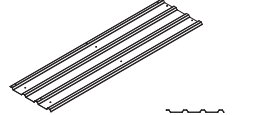
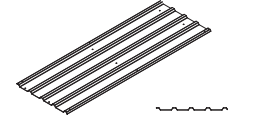
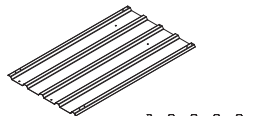
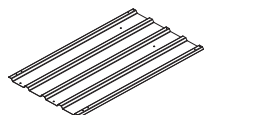
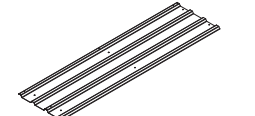
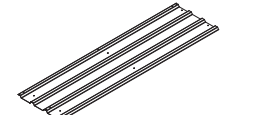
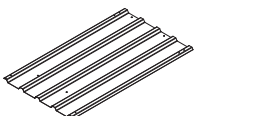
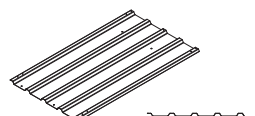
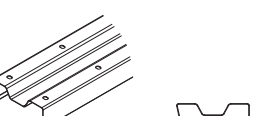
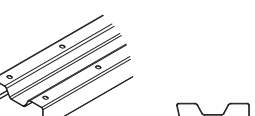
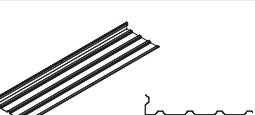
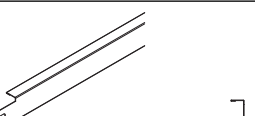
# PARTS LIST

| NO  | PART  | QTY |
|-----|---|-----|
| 1   |    | 3   |
| 1L  |    | 1   |
| 3L  |    | 1   |
| 3R  |    | 1   |
| 4L  |    | 1   |
| 4R  |  | 1   |
| 2L  |  | 1   |
| P1  |  | 2   |
| P1B |  | 2   |
| P2  |  | 2   |
| P3  |  | 16  |
| P1L |  | 1   |
| P2L |  | 1   |

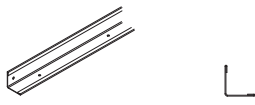


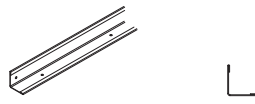


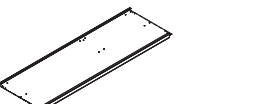
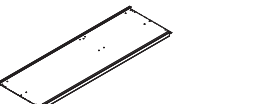
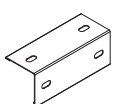
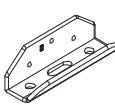
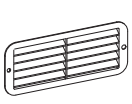
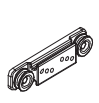
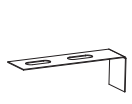
| NO  | PART  | QTY |
|-----|---|-----|
| 2   |    | 3   |
| P1R |    | 1   |
| P2R |    | 1   |
| 5   |    | 1   |
| 6   |    | 1   |
| 7   |  | 1   |
| 8   |  | 1   |
| 9   |  | 2   |
| 10L |  | 1   |
| 10R |  | 1   |
| 11  |  | 2   |
| 9L  |  | 1   |
| 9R  |  | 1   |

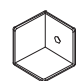


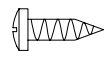

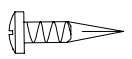

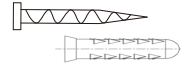
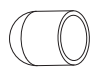
# PARTS LIST

| NO  | PART  | QTY |
|-----|---|-----|
| 13  |    | 4   |
| 14  |    | 4   |
| 15  |    | 2   |
| 16  |    | 2   |
| 17  |    | 2   |
| 18  |  | 2   |
| 17A |  | 1   |
| 18A |  | 1   |
| 19  |  | 2   |
| 20  |  | 4   |
| 21L |  | 2   |
| 21R |  | 2   |
| P5  |  | 6   |

| NO    | PART  | QTY |
|-------|---|-----|
| P6    |    | 4   |
| P7    |    | 4   |
| P8    |    | 2   |
| P5A   |    | 2   |
| P6A   |    | 1   |
| P7A   |  | 2   |
| P8A   |  | 1   |
| P5A-1 |  | 1   |
| P6A-1 |  | 1   |
| 28L   |  | 1   |
| 28R   |  | 1   |
| P2A   |  | 2   |
| 27    |  | 2   |

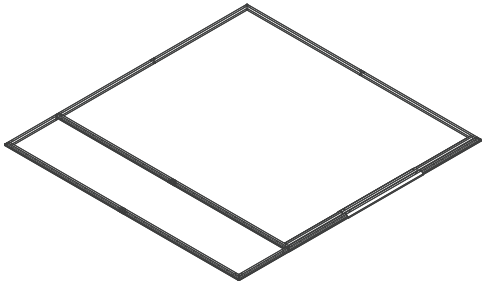
# PARTS LIST

| NO  | PART  | QTY |
|-----|---|-----|
| 22  |    | 2   |
| 23  |    | 2   |
| 24L |    | 1   |
| 24R |    | 1   |
| 25L |    | 1   |
| 25R |  | 1   |
| D1  |  | 1   |
| D2  |  | 1   |
| B1  |  | 8   |
| GB  |  | 2   |
| GF  |  | 4   |
| G2  |  | 4   |
| K   |  | 1   |

| NO | PART  | QTY |
|----|---|-----|
| GC |    | 4   |
| GE |    | 2   |
| GD |    | 4   |
| F1 |    | 601 |
| F2 |    | 67  |
| F3 |  | 8   |
| S2 |  | 200 |
| F6 |  | 4   |
| S1 |  | 200 |
|    |   |     |
|    |   |     |
|    |   |     |
|    |   |     |

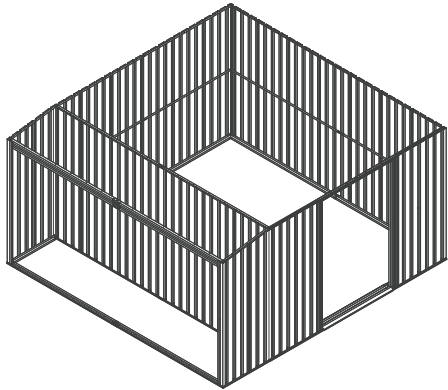


# CONTENTS



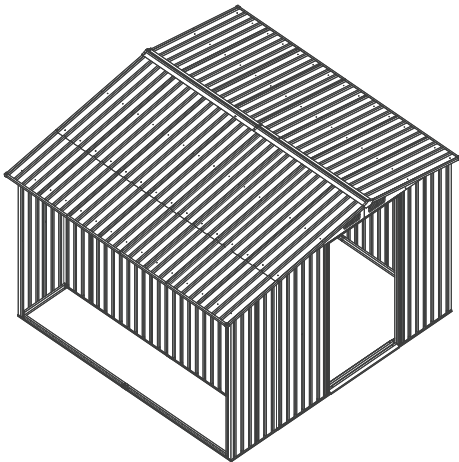
**Floor**

**11-15**  
(page)



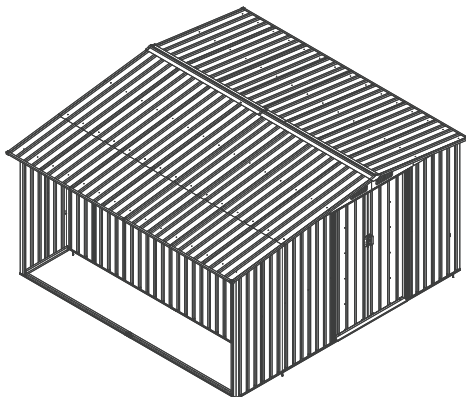
**Wall**

**16-28**  
(page)



**Roof**

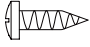

**29-40**  
(page)

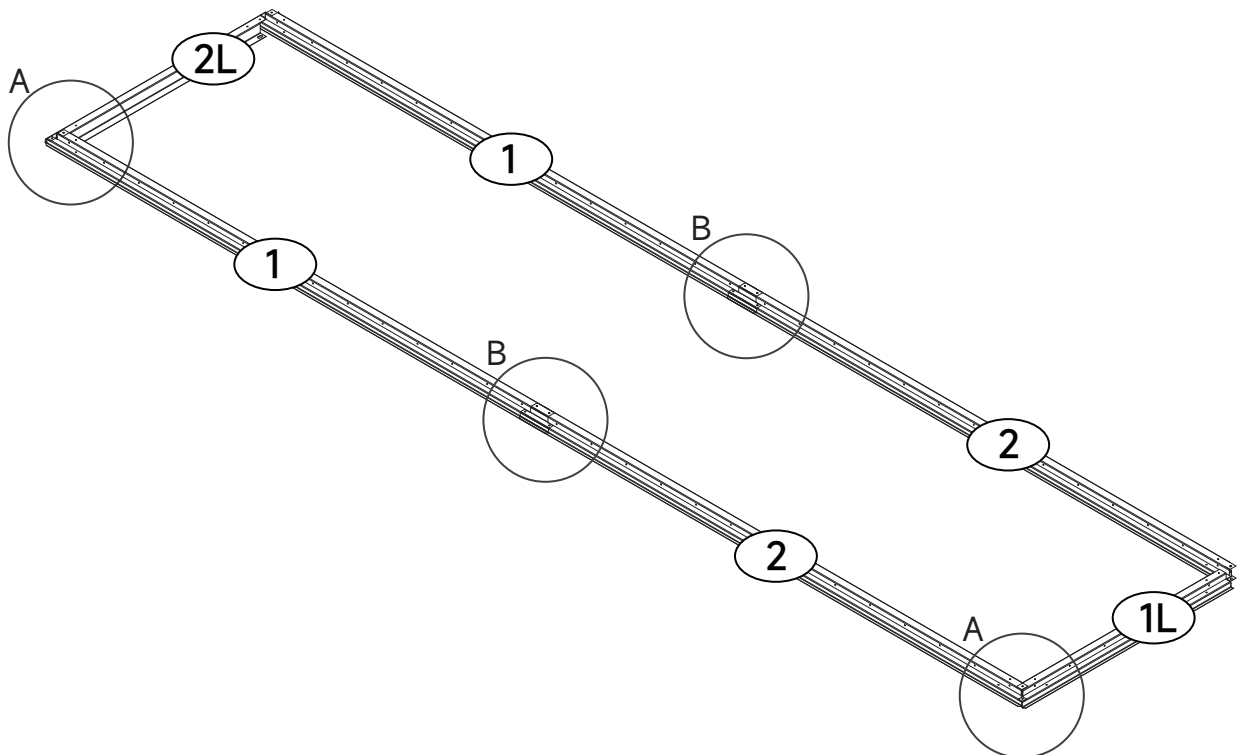
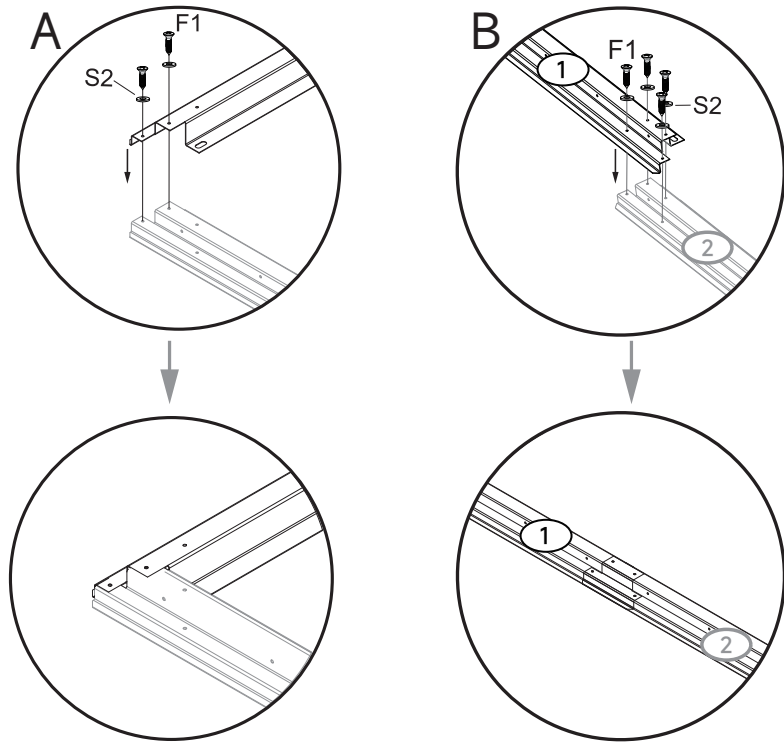


**Door**

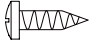

**41 -42**  
(page)

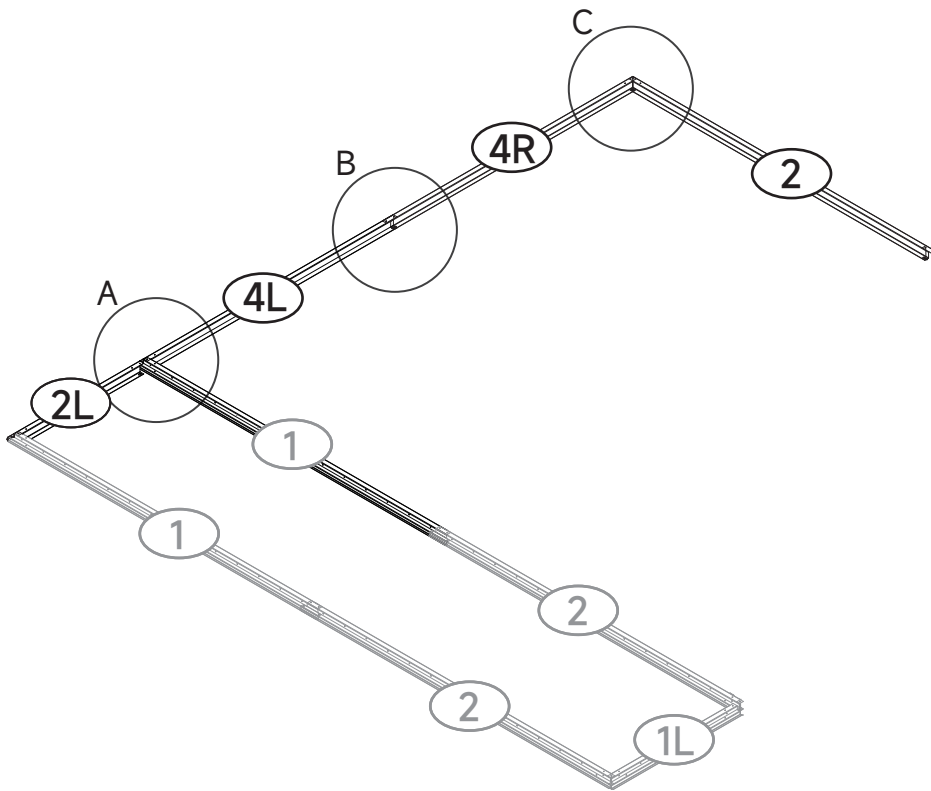
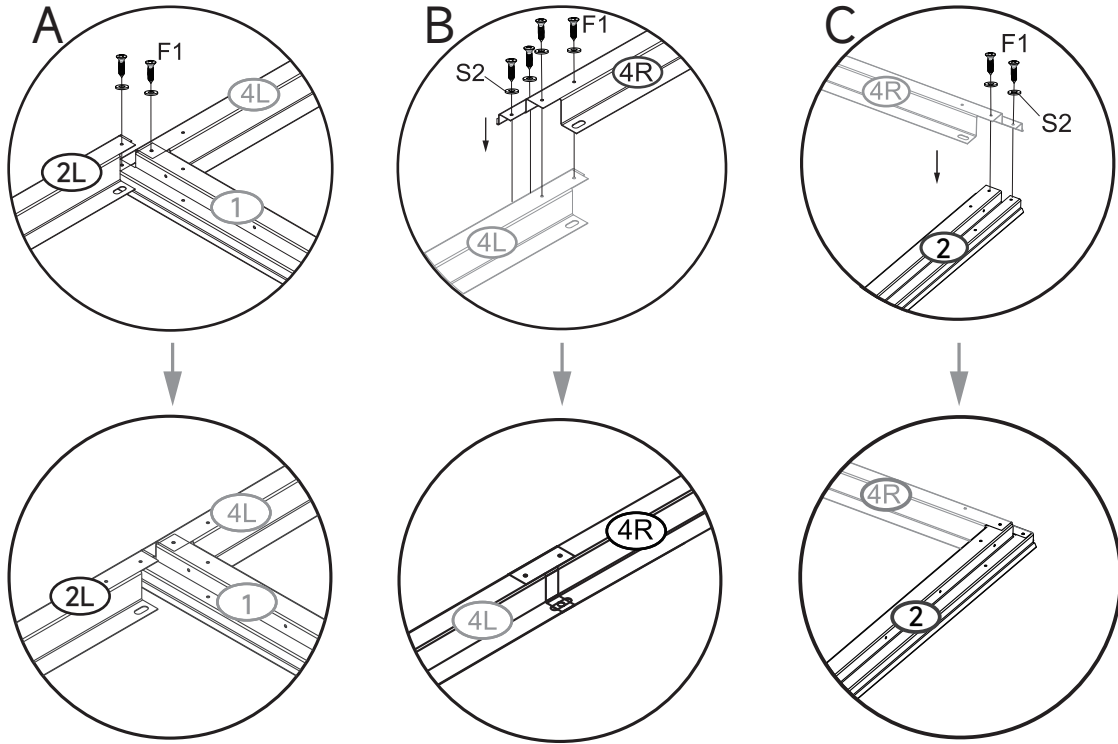
# STEP 01

| NO | PART  | QTY |
|----|---|-----|
| F1 |  | 12  |
| S2 |  | 12  |

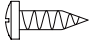



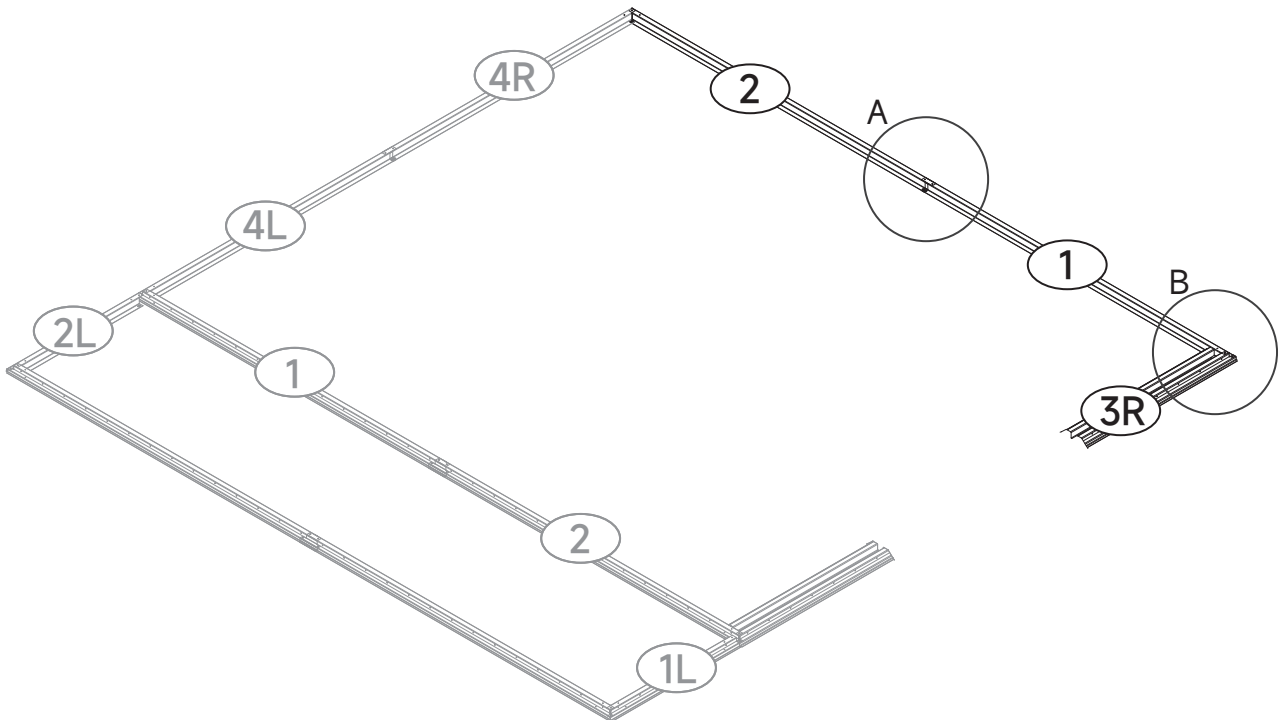
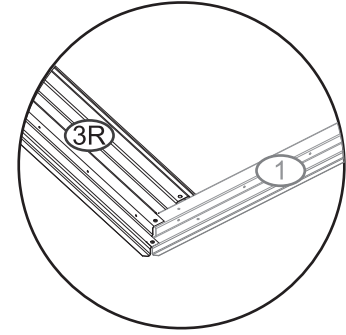
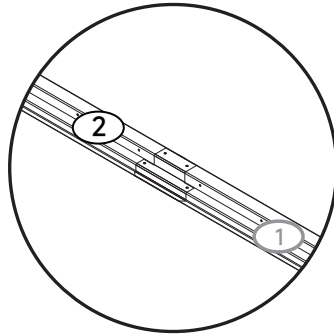
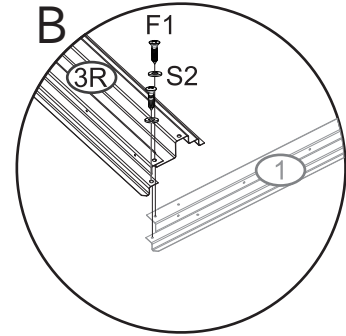
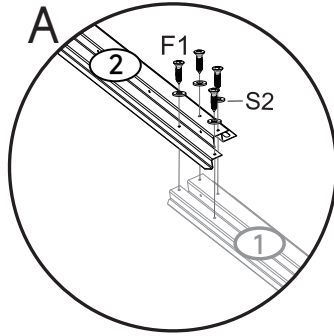
# STEP 02

| NO | PART  | QTY |
|----|---|-----|
| F1 |  | 8   |
| S2 |  | 8   |

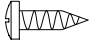



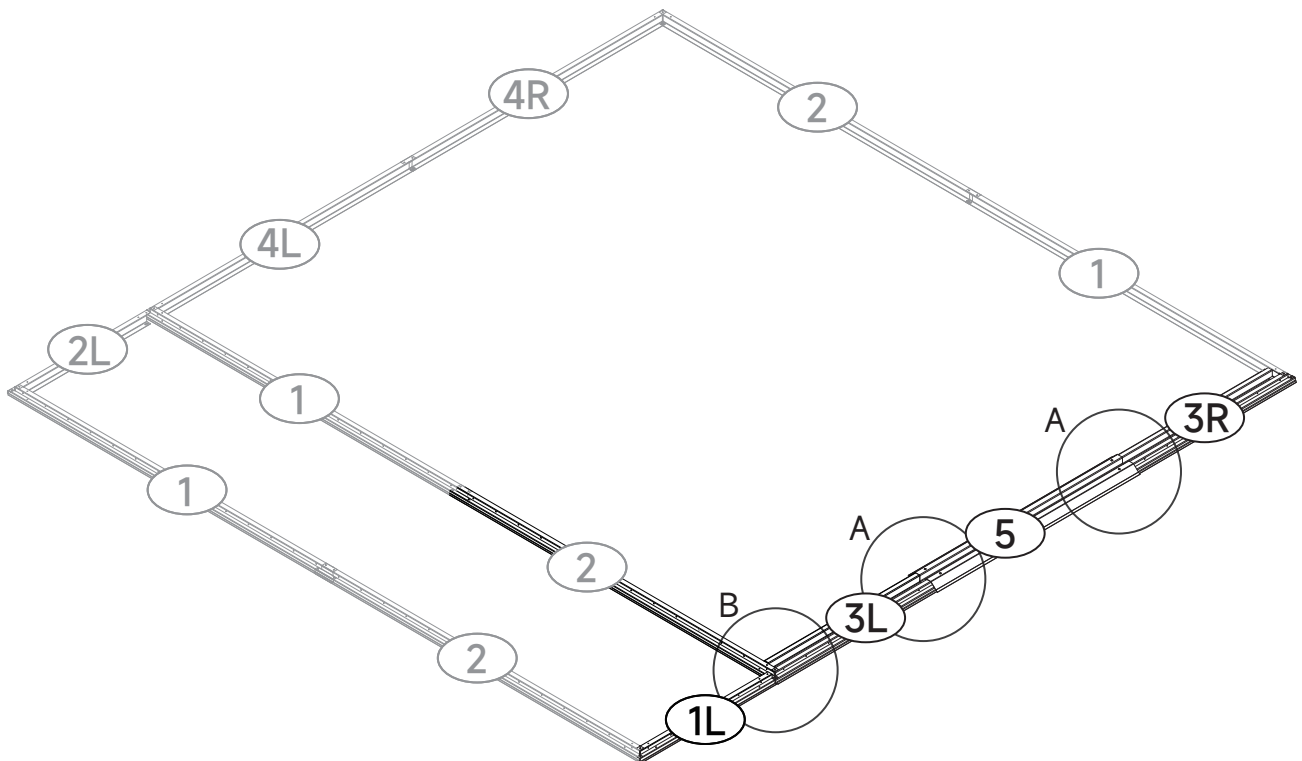
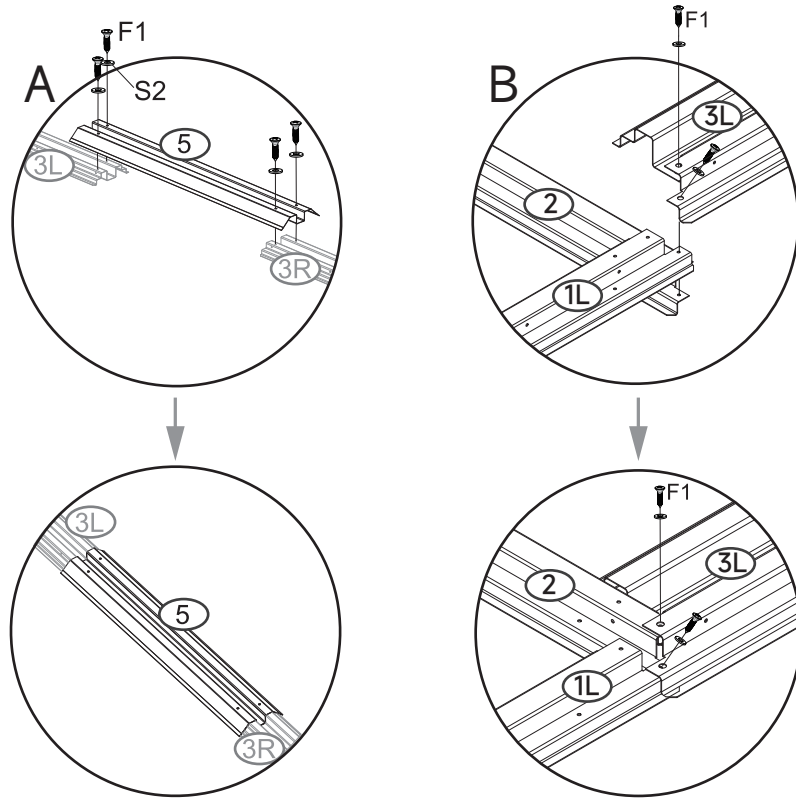
# STEP 03

| NO | PART  | QTY |
|----|---|-----|
| F1 |  | 6   |
| S2 |  | 6   |

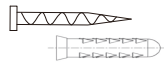


# STEP 04

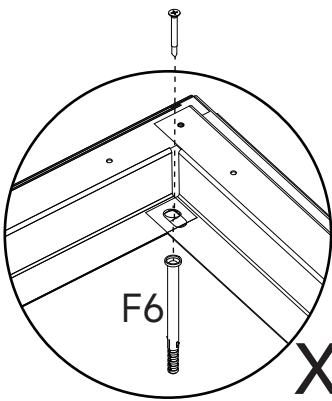
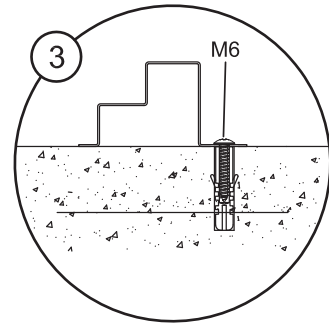
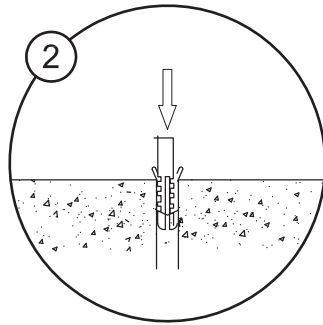
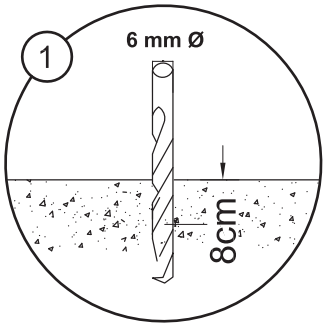
| NO | PART  | QTY |
|----|---|-----|
| F1 |  | 6   |
| S2 |  | 6   |



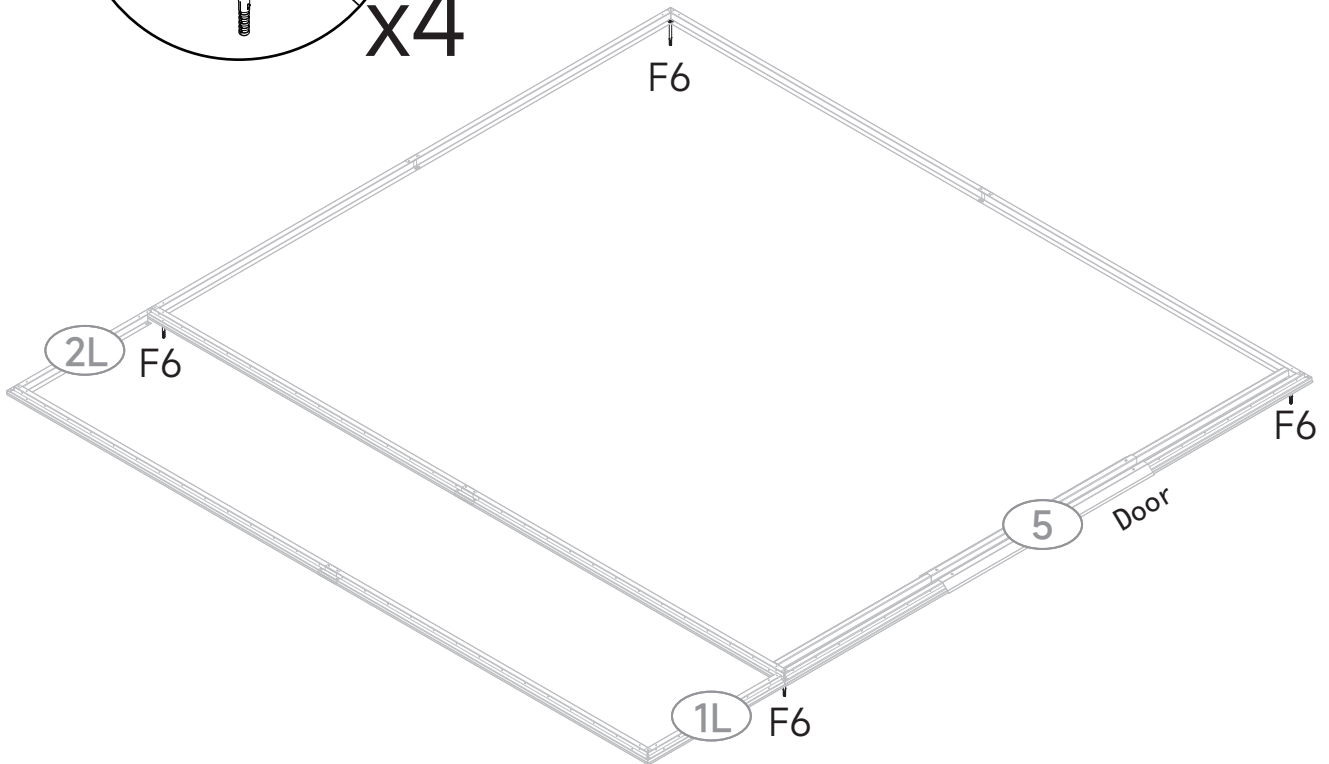
# STEP 05

| NO | PART  | QTY |
|----|---|-----|
| F6 |  | 4   |

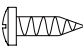

**Note:** In the next steps, the marking of 2L, 1L and F6 will be temporarily concealed.

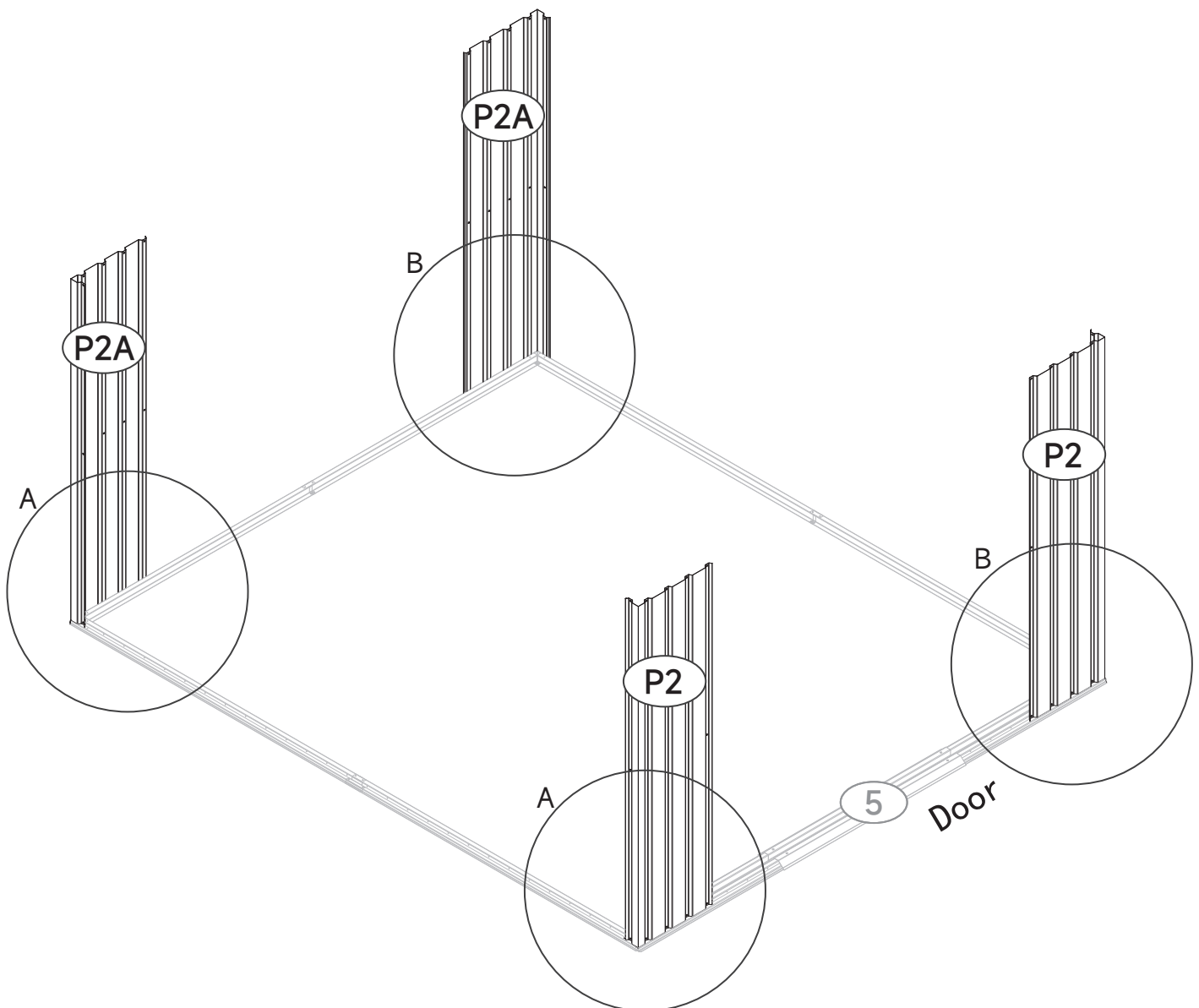
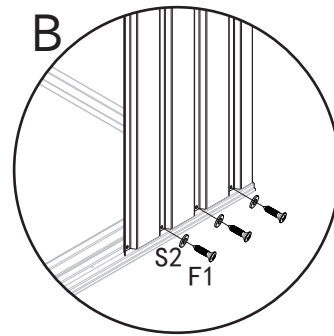
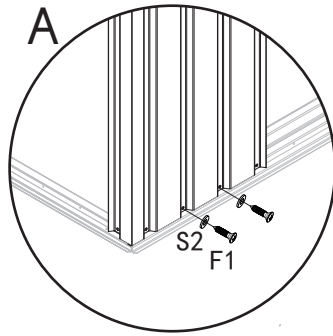


x4

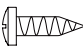



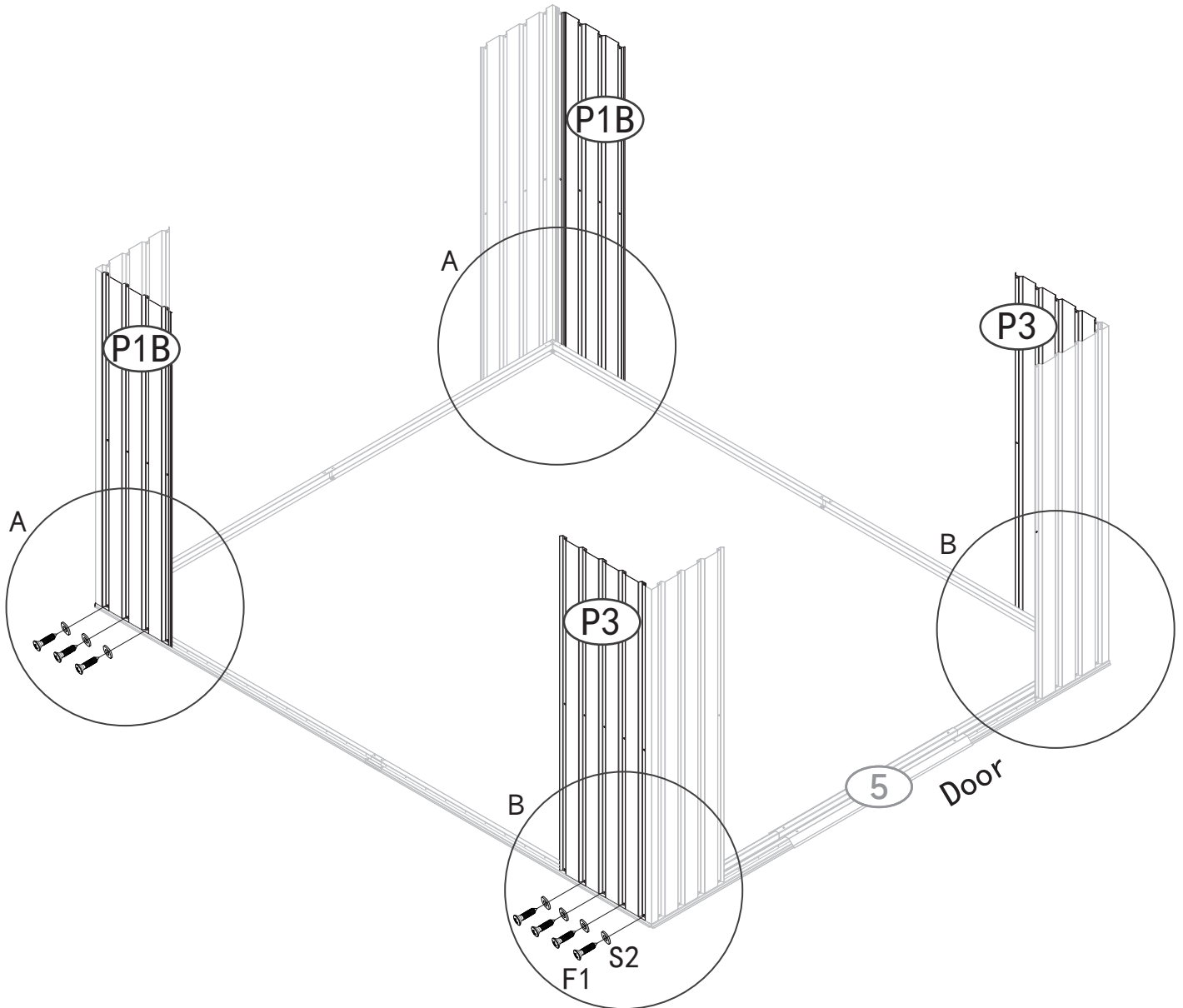
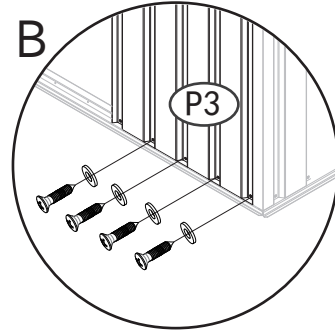
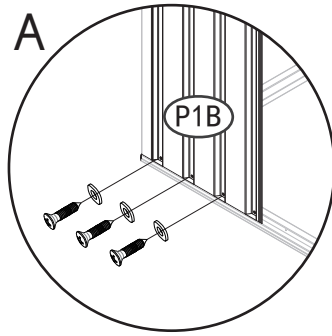
# STEP 06

| NO | PART  | QTY |
|----|---|-----|
| F1 |  | 10  |
| S2 |  | 10  |

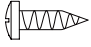



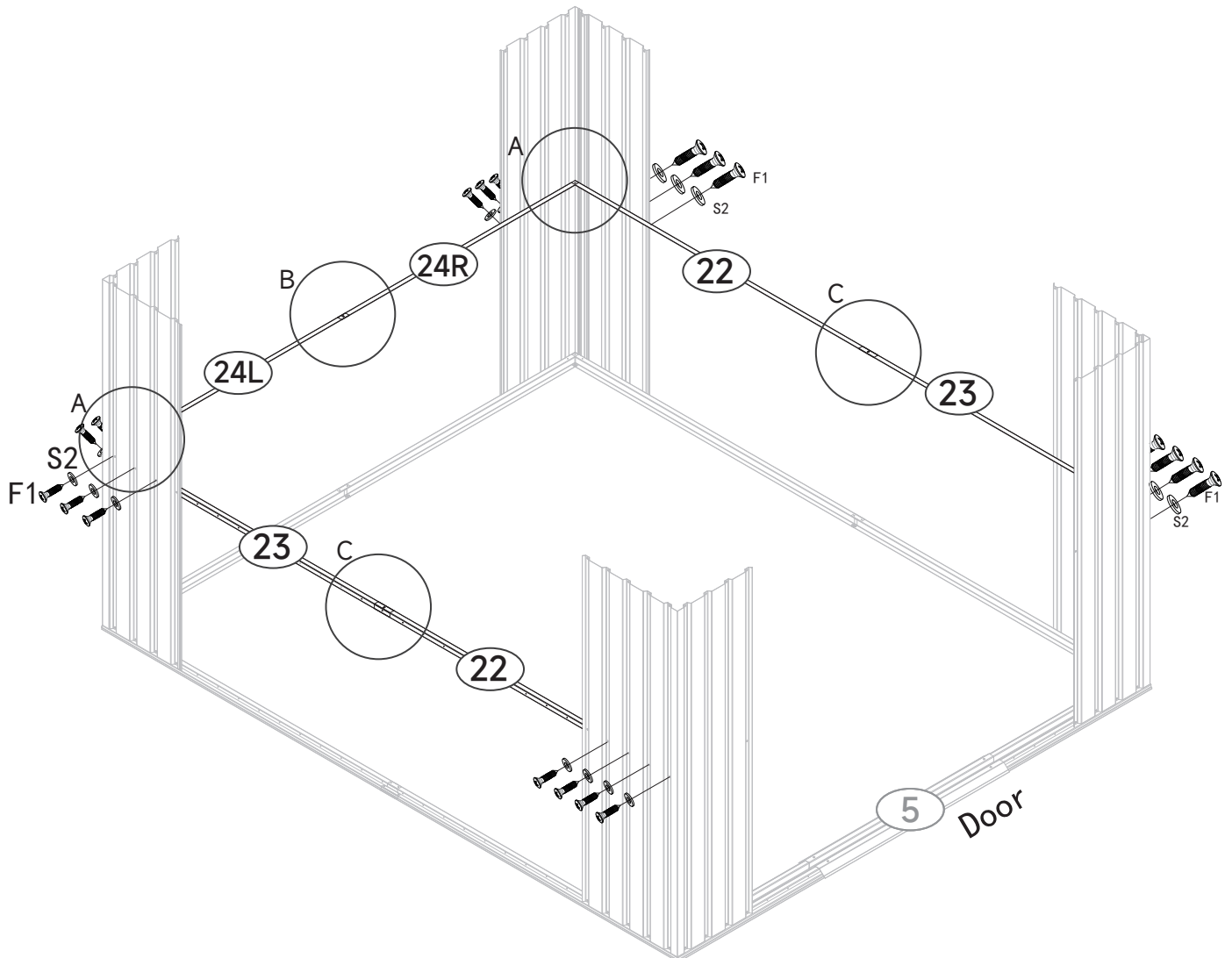
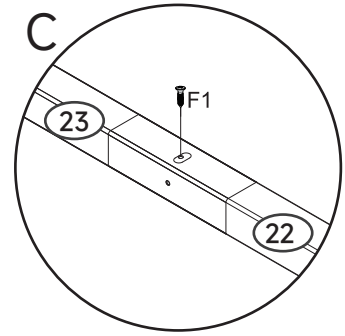
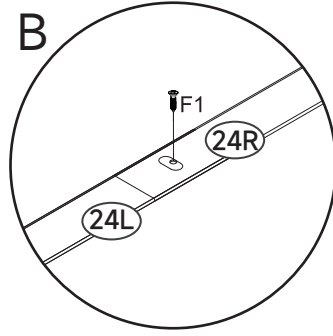
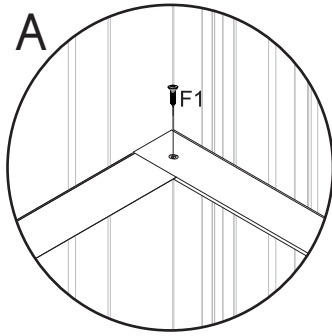
# STEP 07

| NO | PART  | QTY |
|----|---|-----|
| F1 |  | 14  |
| S2 |  | 14  |

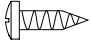



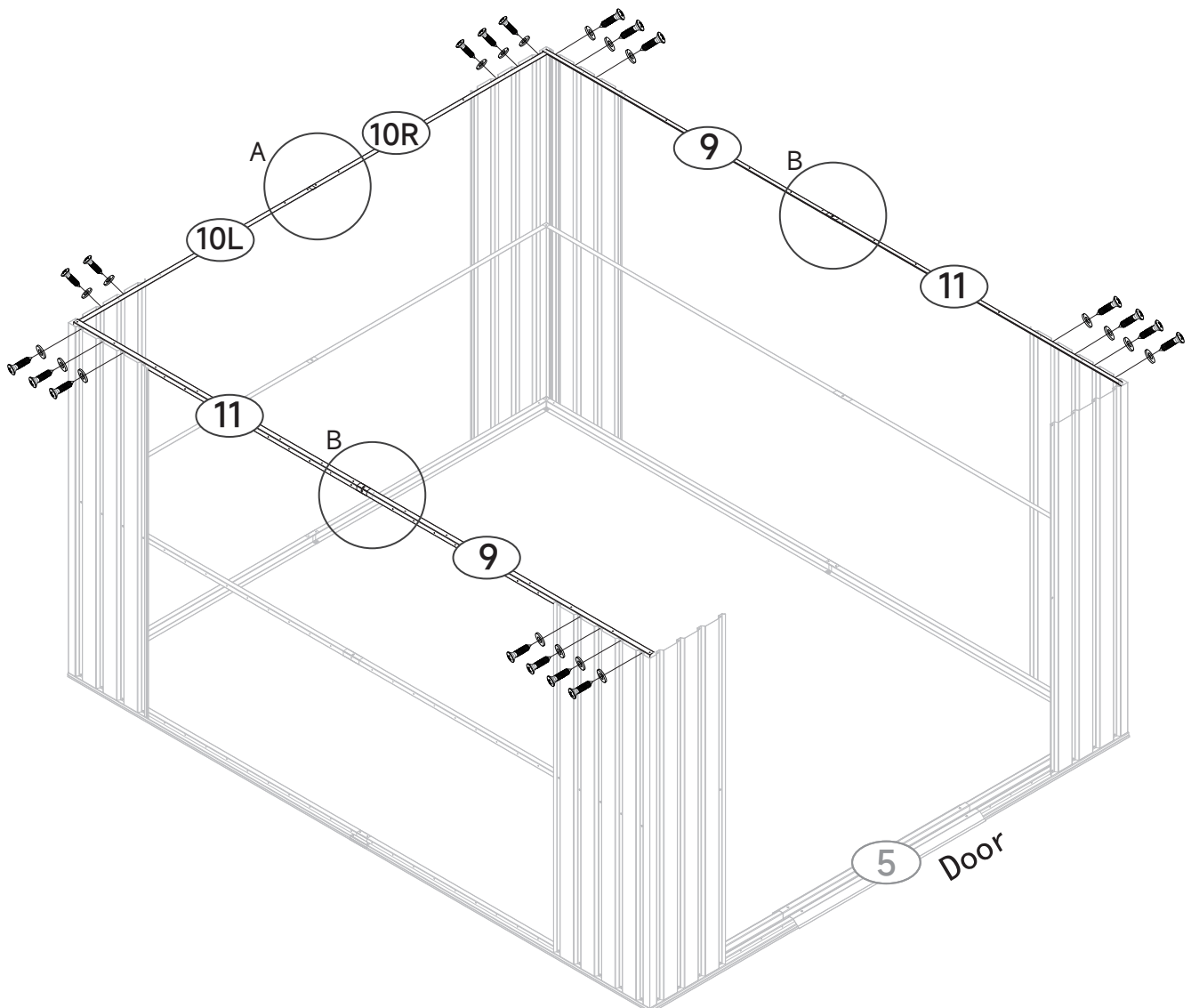
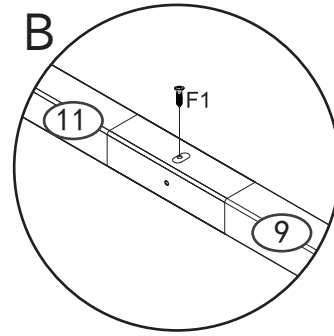
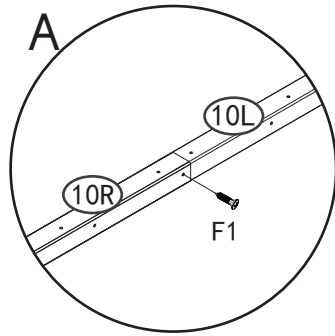
# STEP 08

| NO | PART  | QTY |
|----|---|-----|
| F1 |  | 24  |
| S2 |  | 19  |

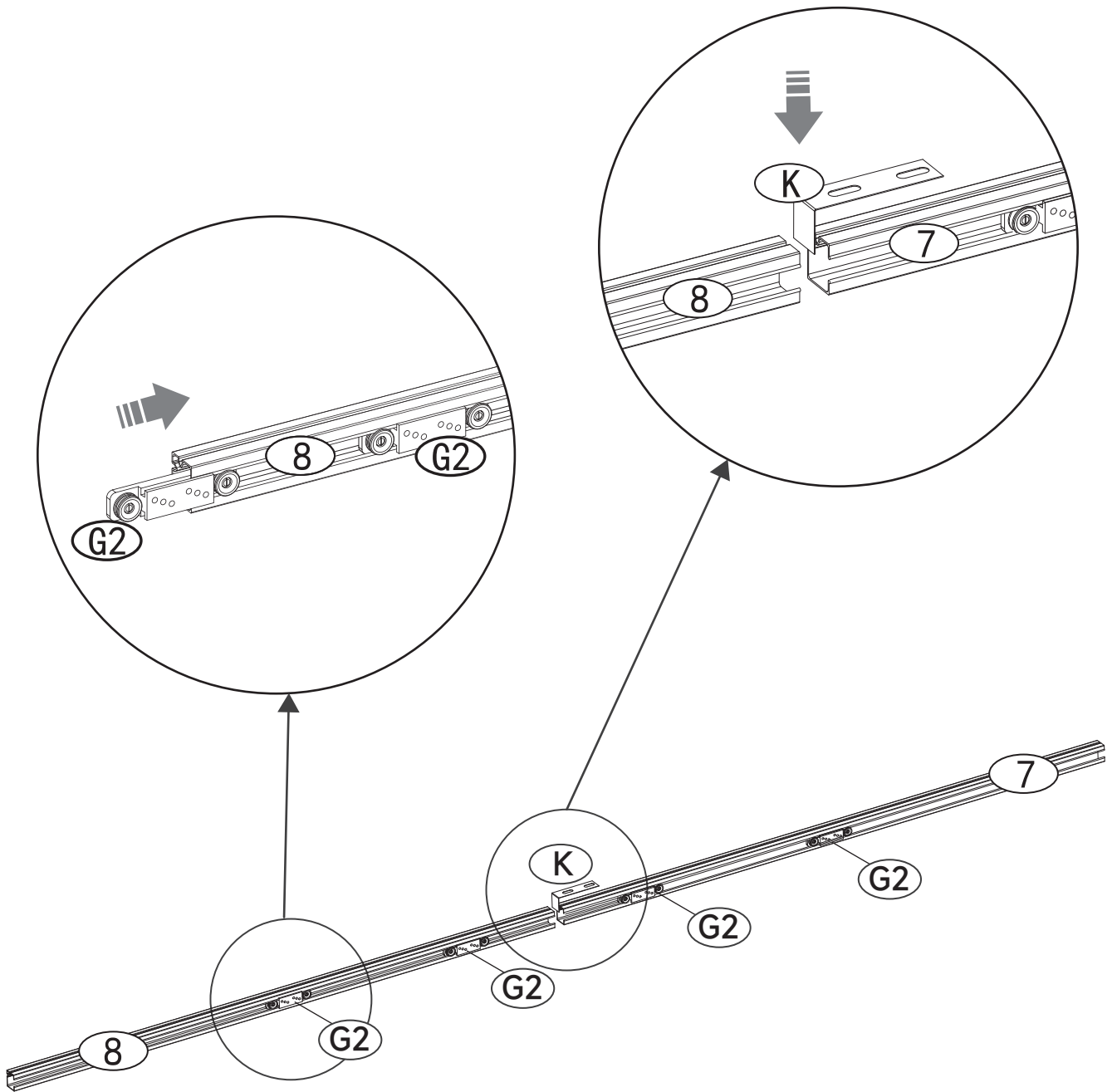


# STEP 09

| NO | PART  | QTY |
|----|---|-----|
| F1 |  | 22  |
| S2 |  | 19  |

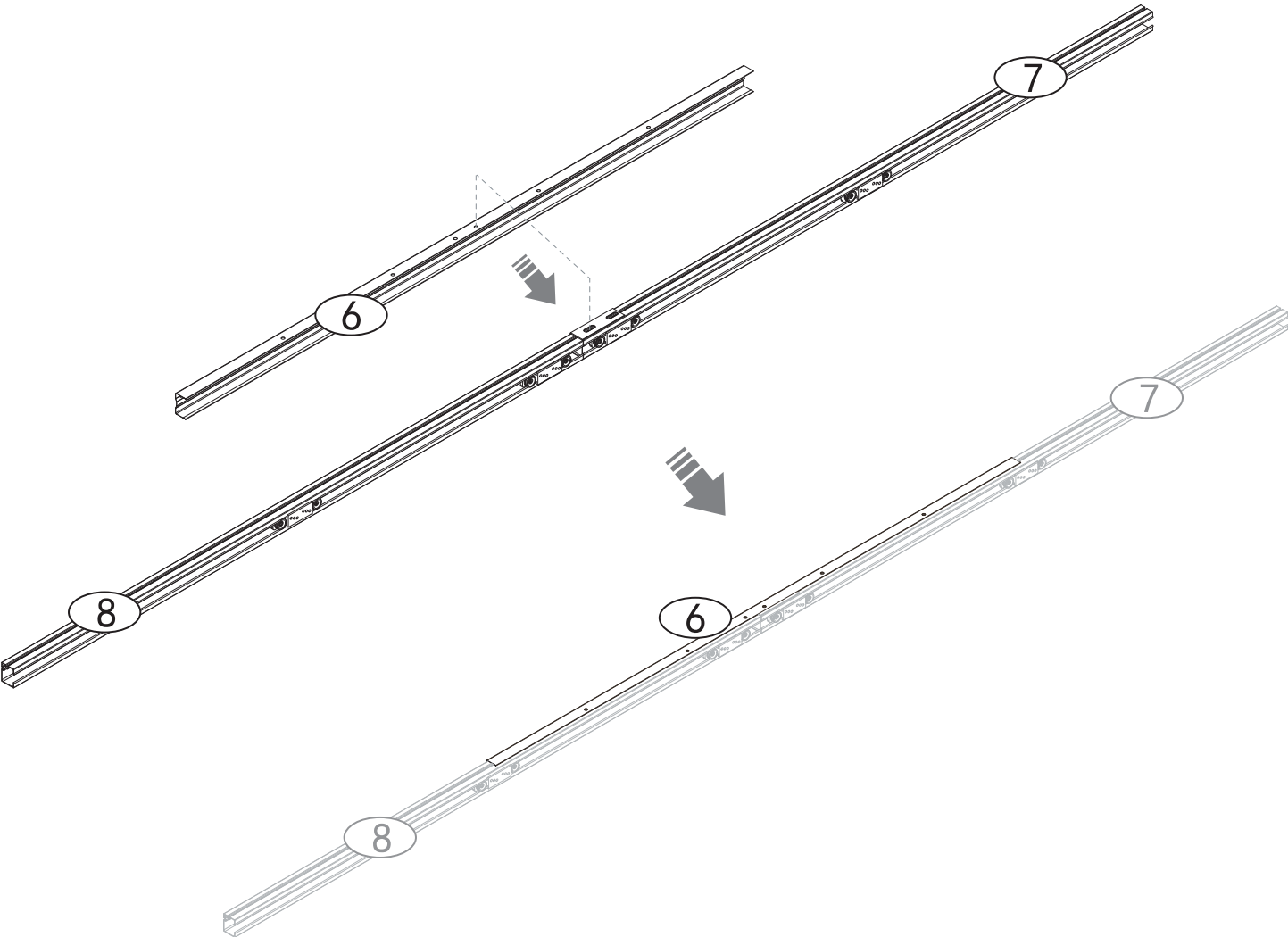


# STEP 10

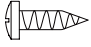



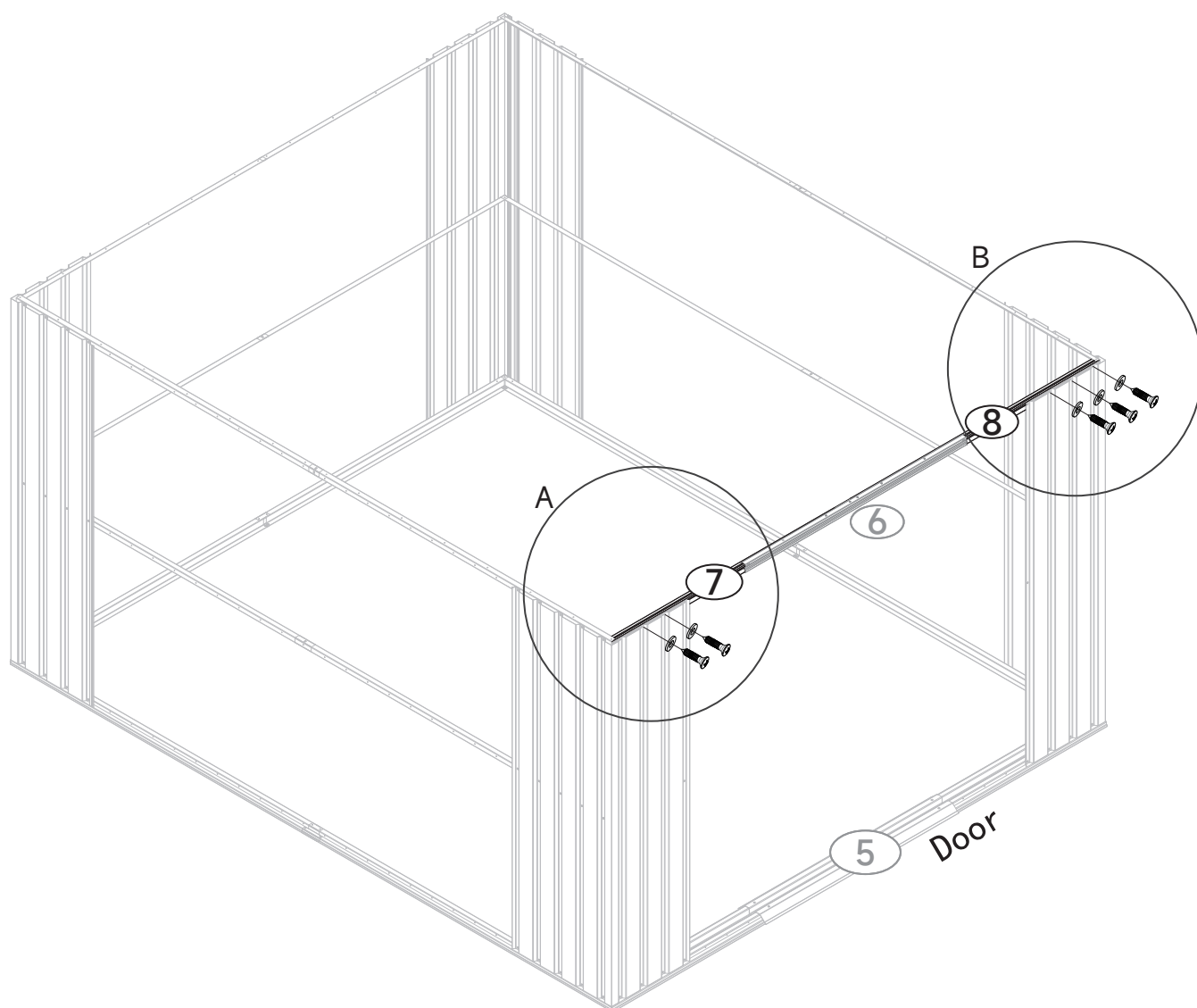
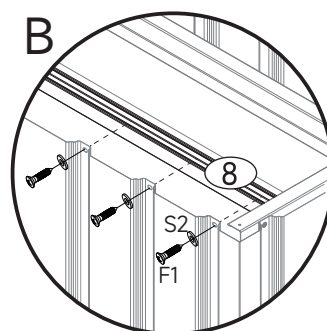
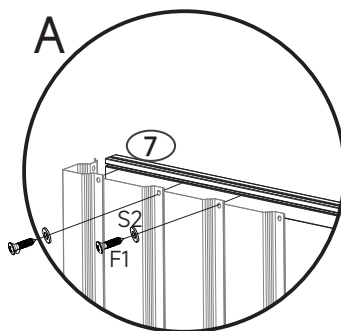
# STEP 11

**Note:** Align the positions of the hole on 7/8 and snap them together.

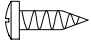



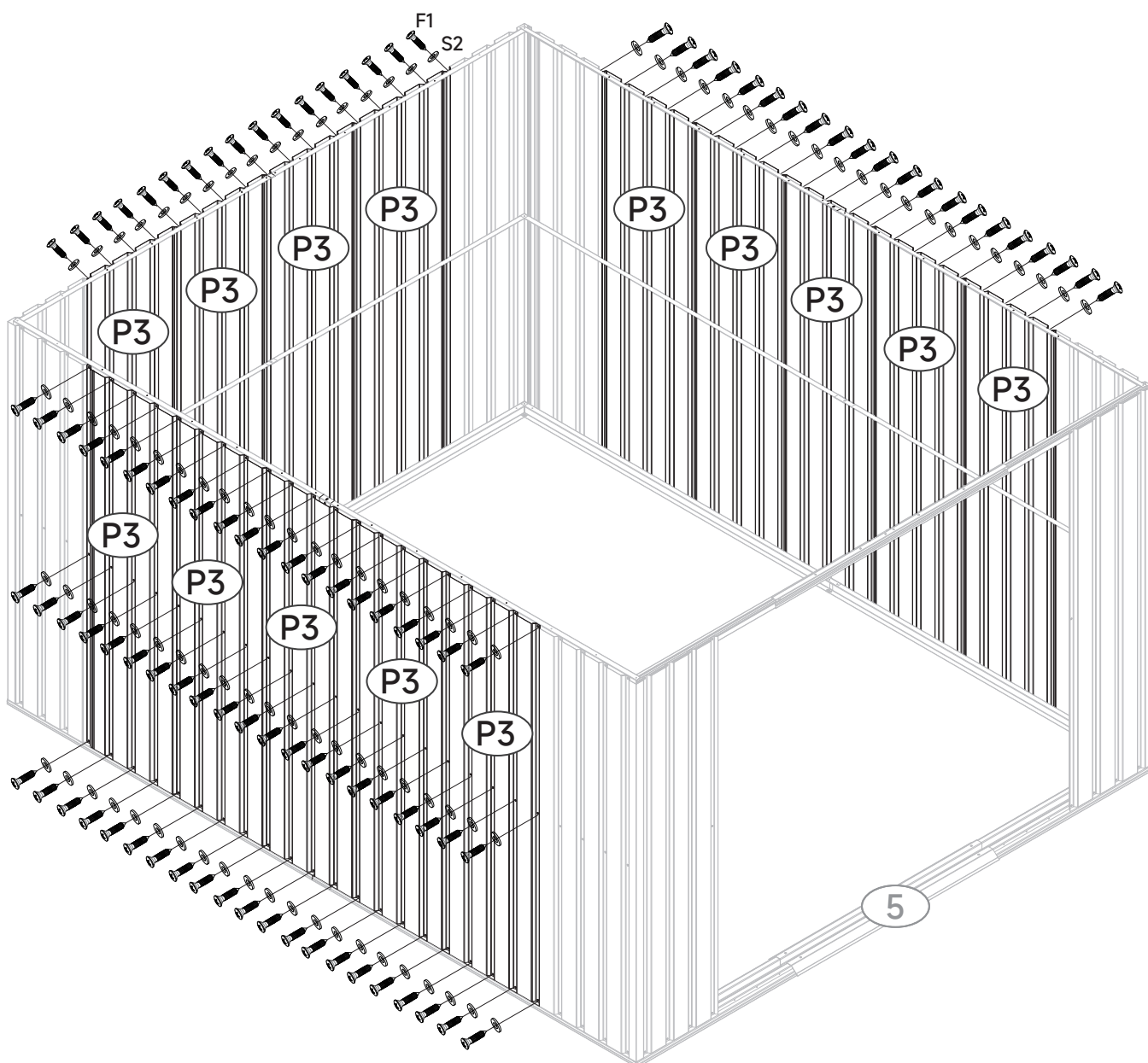
# STEP 12

| NO | PART  | QTY |
|----|---|-----|
| F1 |  | 5   |
| V2 |  | 5   |

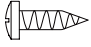

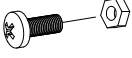


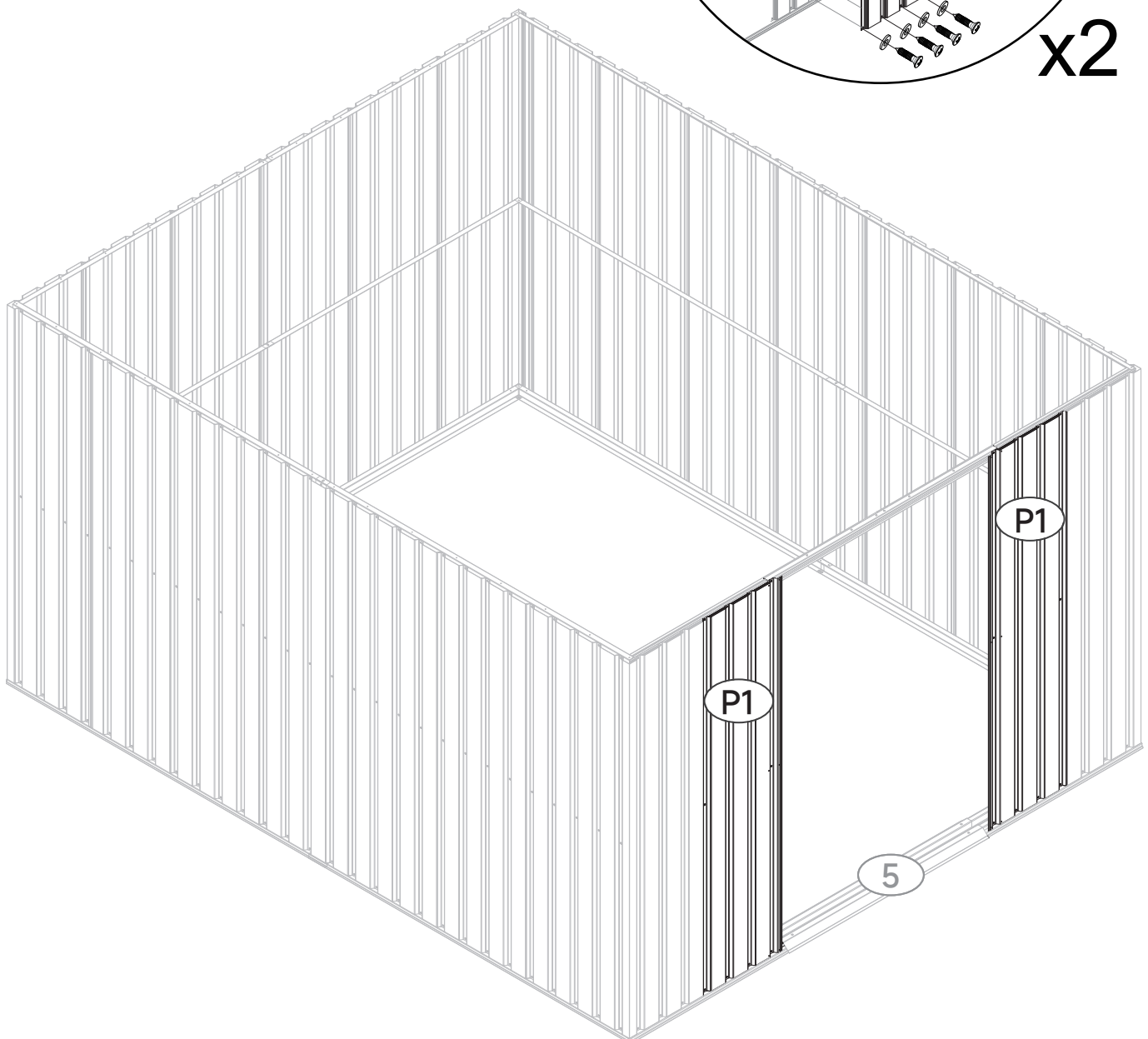
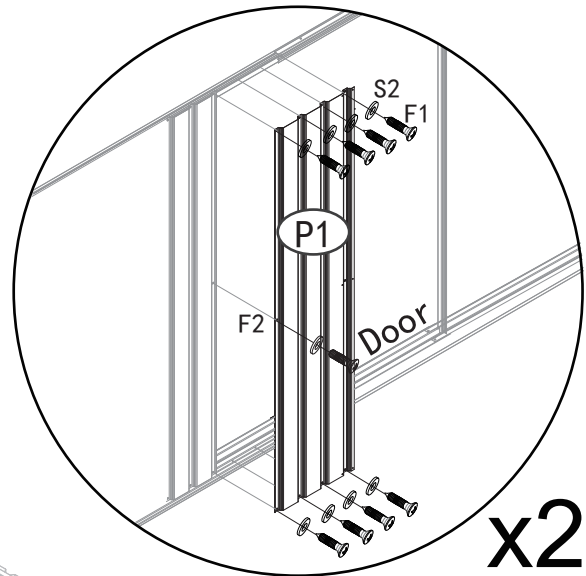
# STEP 13

| NO | PART  | QTY |
|----|---|-----|
| F1 |  | 177 |
| S2 |  | 177 |

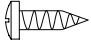



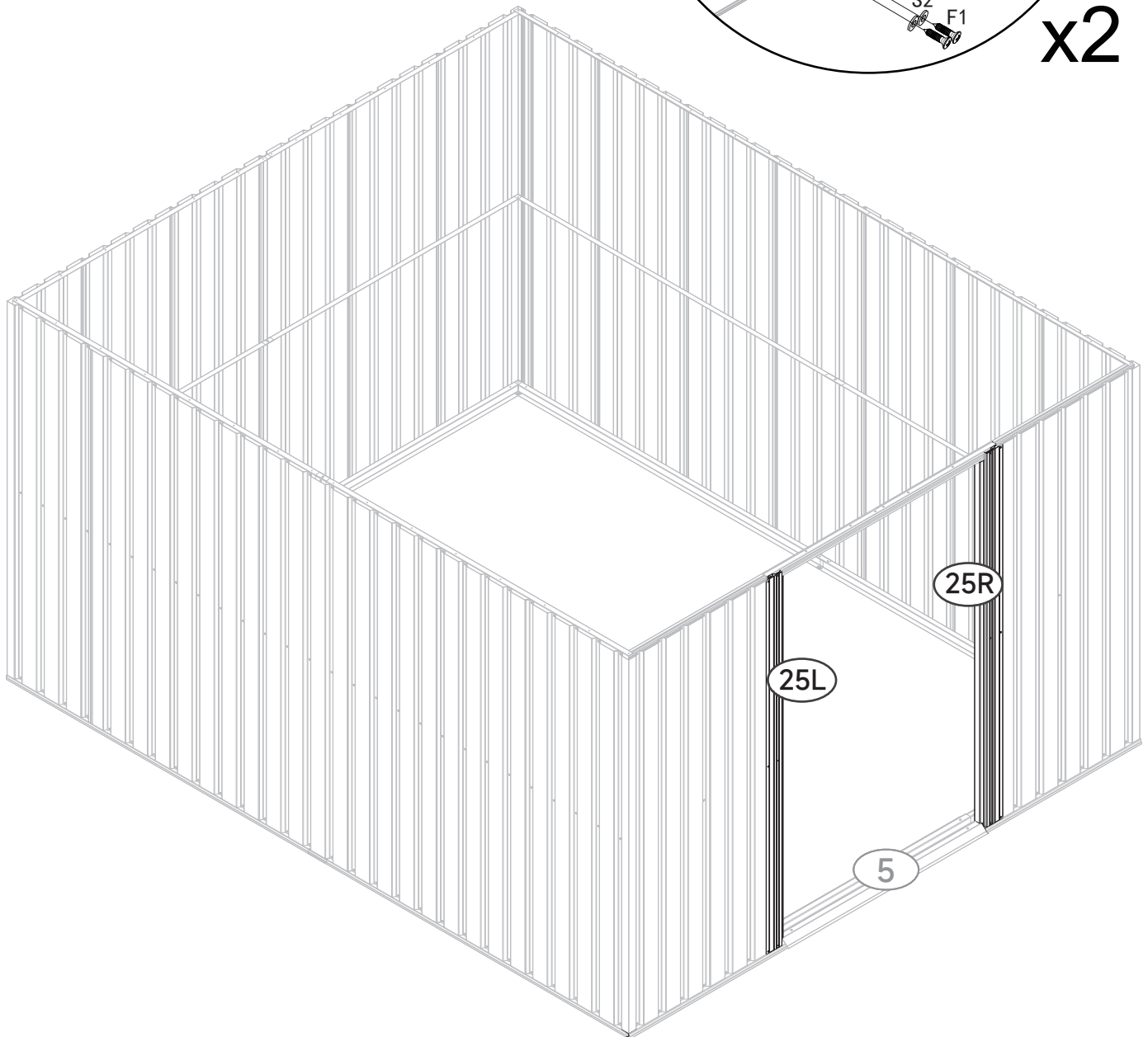
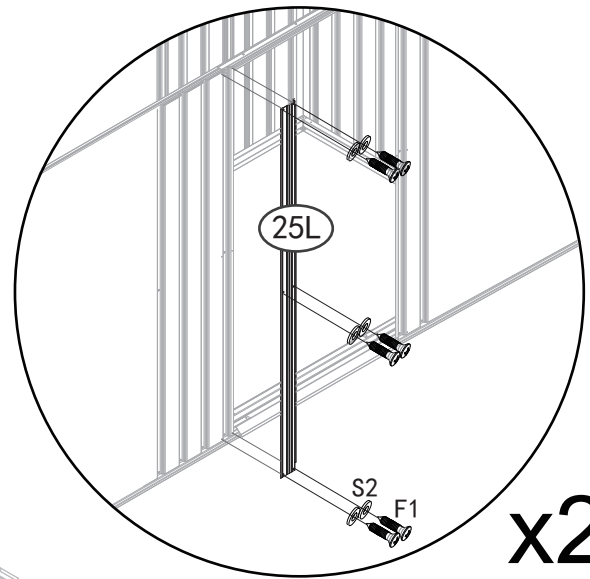
# STEP 14

| NO | PART  | QTY |
|----|---|-----|
| F1 |  | 16  |
| S2 |  | 18  |
| F2 |  | 2   |

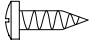



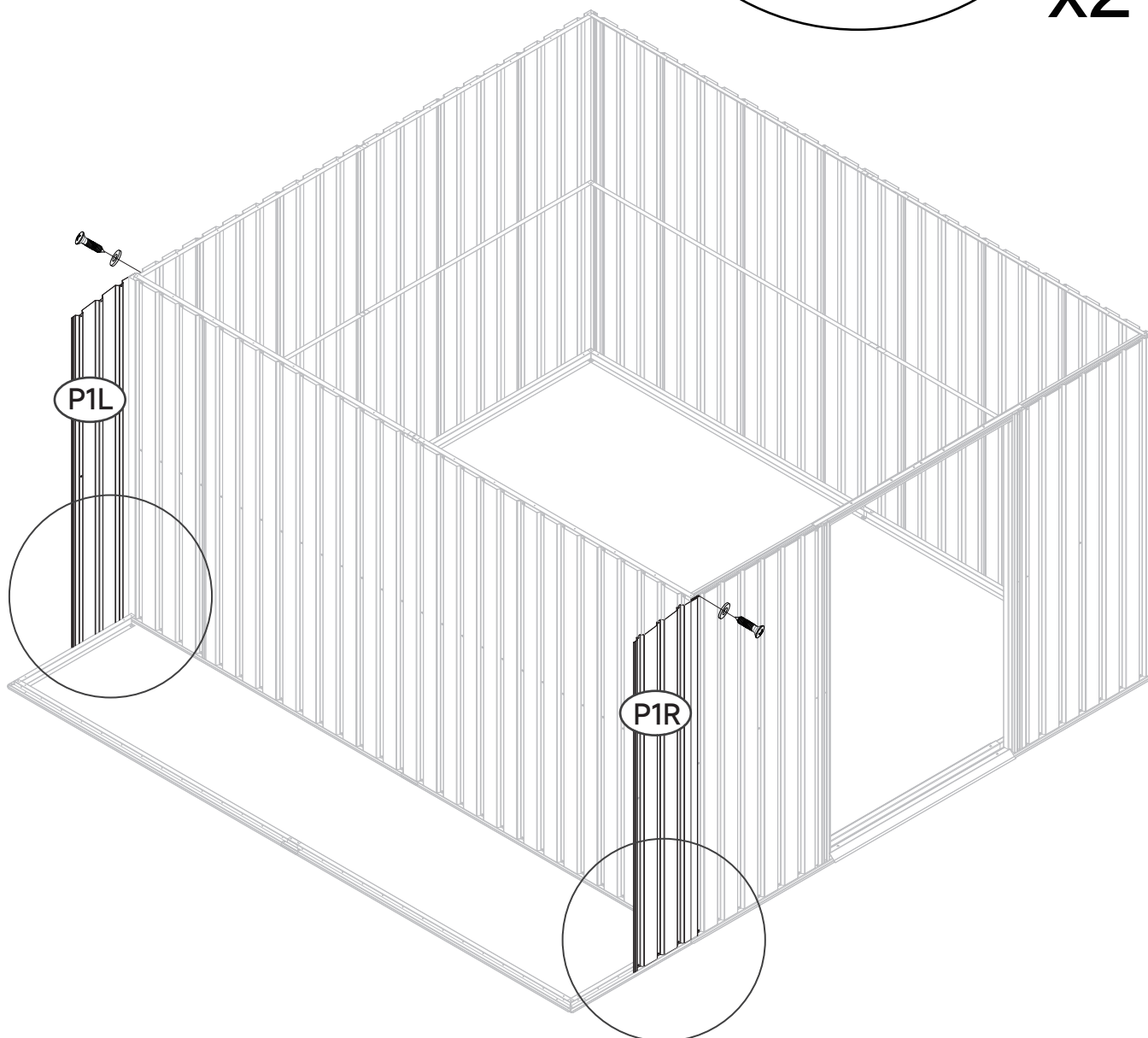
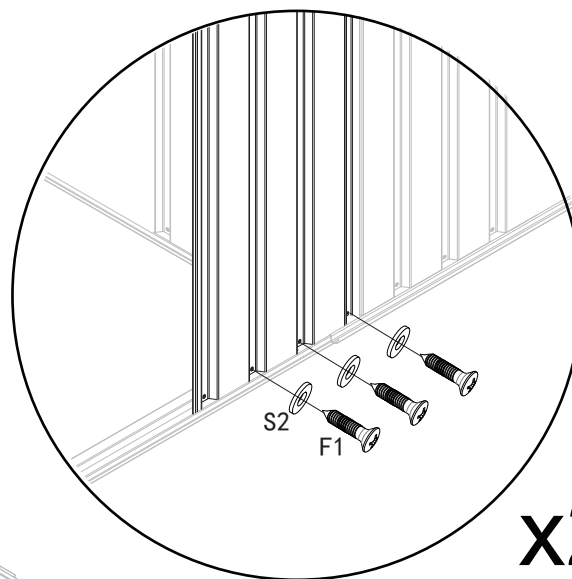
# STEP 15

| NO | PART  | QTY |
|----|---|-----|
| F1 |  | 12  |
| S2 |  | 12  |

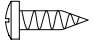




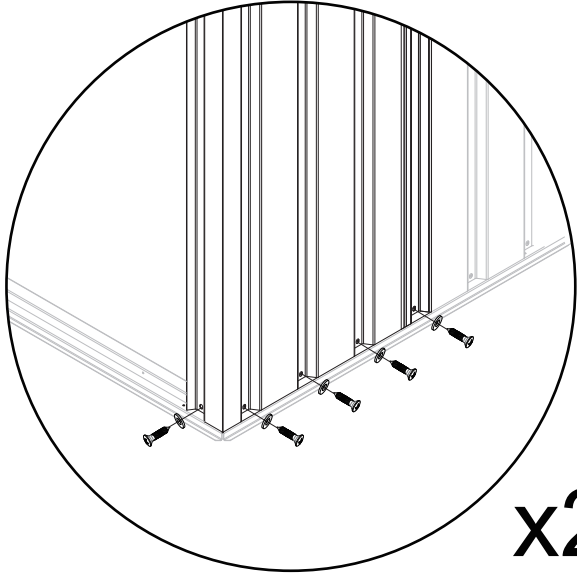
# STEP 16

| NO | PART  | QTY |
|----|---|-----|
| F1 |  | 8   |
| S2 |  | 8   |

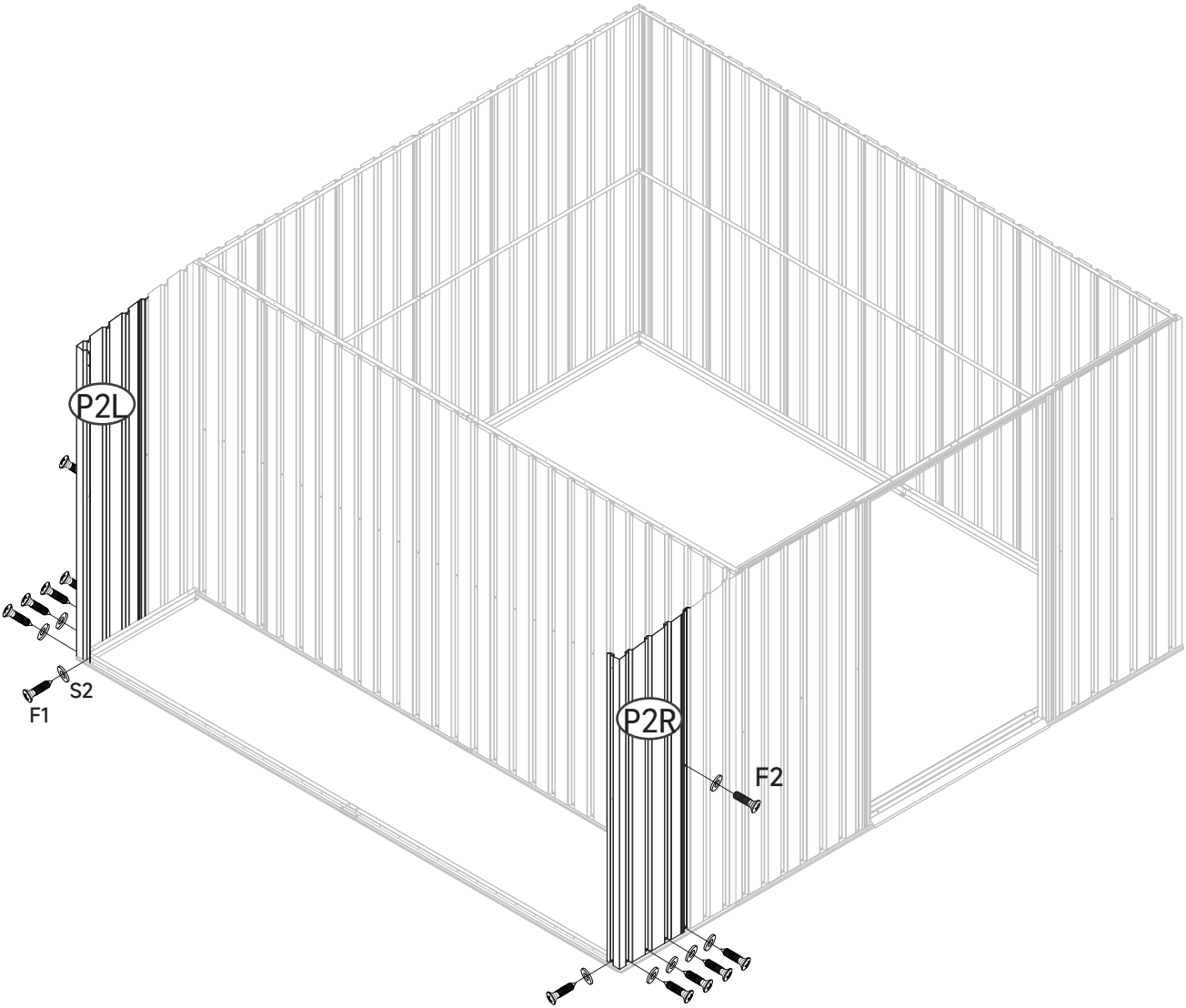


# STEP 17

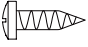

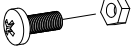
| NO | PART  | QTY |
|----|---|-----|
| F1 |  | 10  |
| S2 |  | 12  |
| F2 |  | 2   |

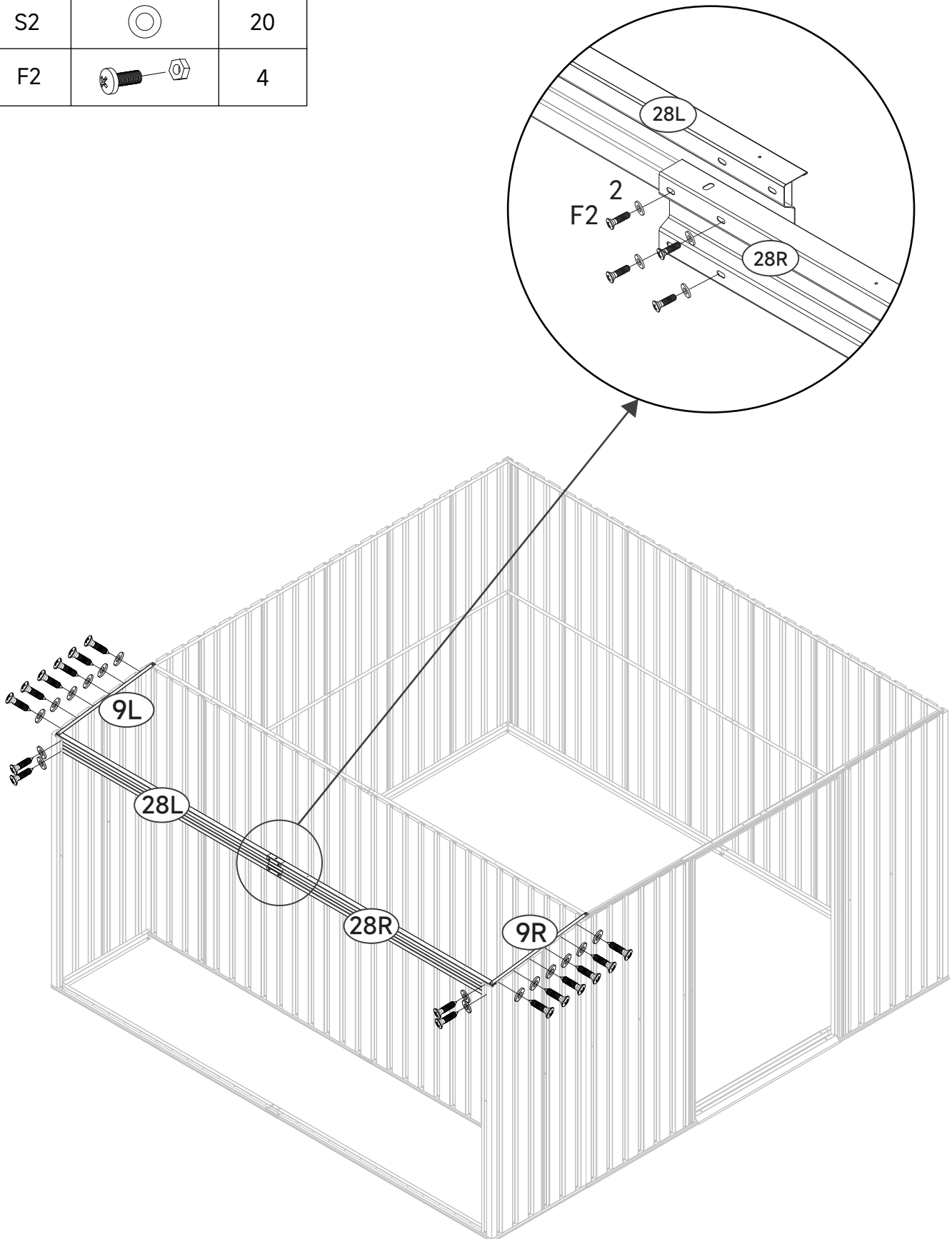


x2





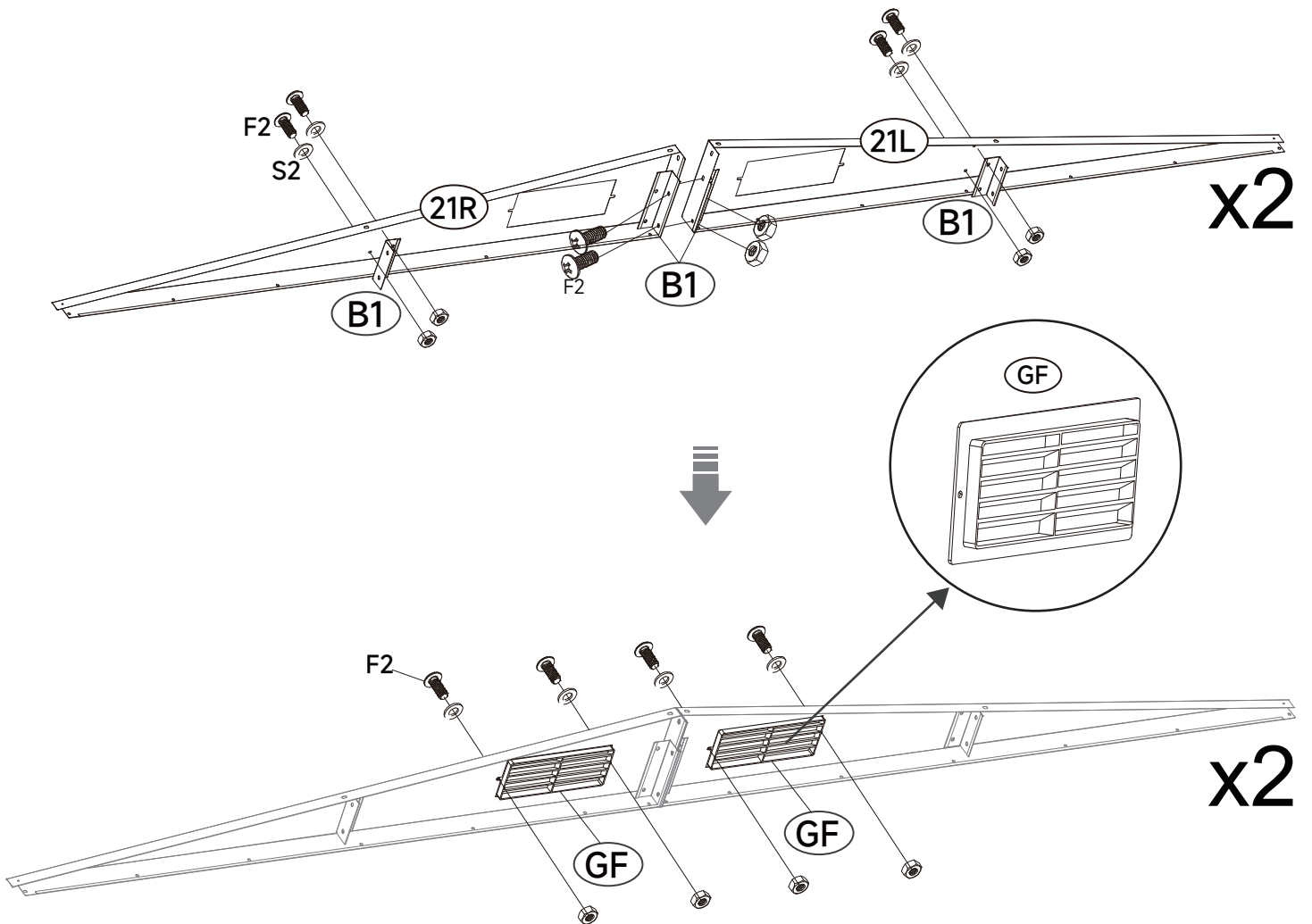
# STEP 18

| NO | PART  | QTY |
|----|---|-----|
| F1 |  | 16  |
| S2 |  | 20  |
| F2 |  | 4   |

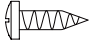


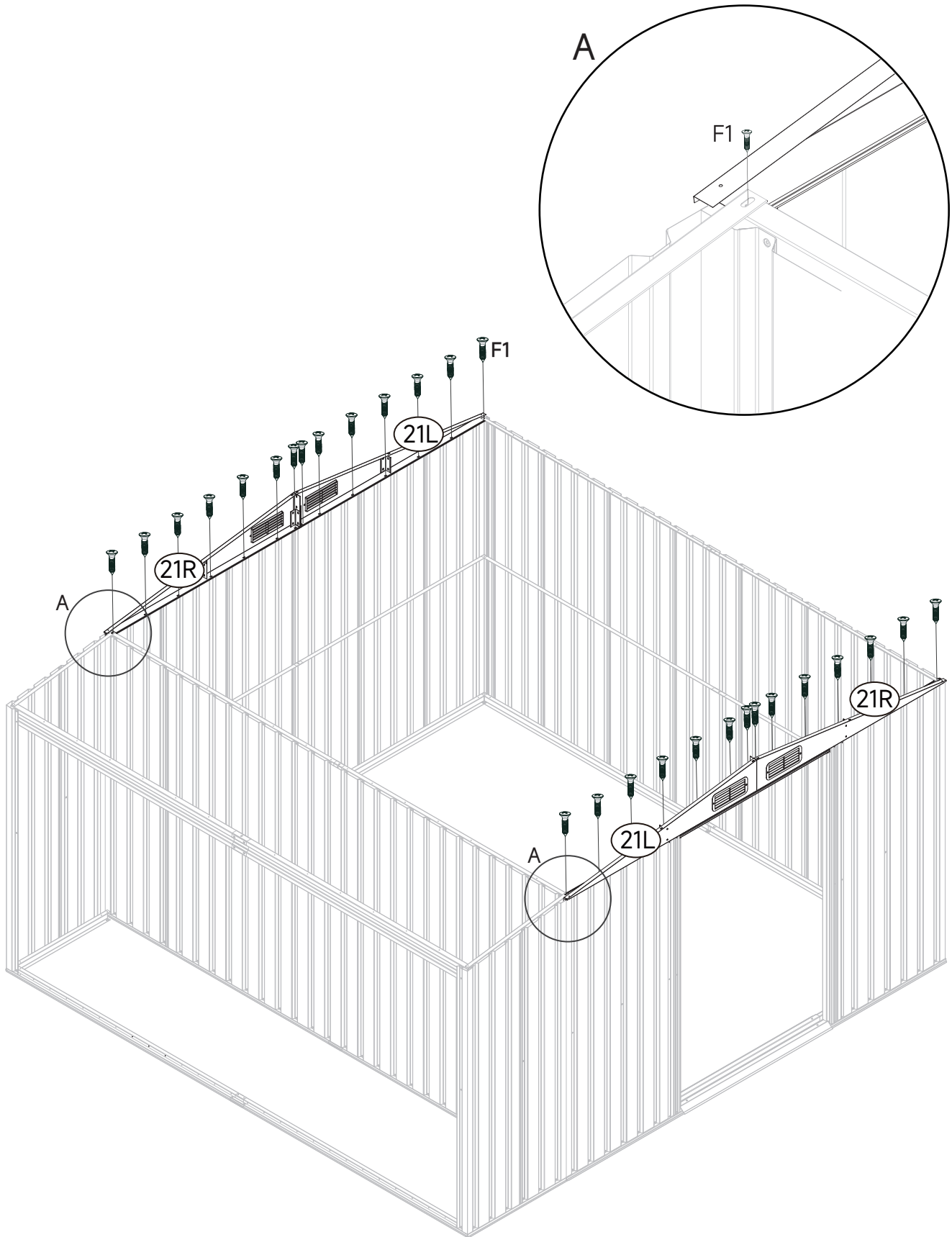
# STEP 19

| NO | PART  | QTY |
|----|---|-----|
| F2 |  | 20  |
| S2 |  | 16  |




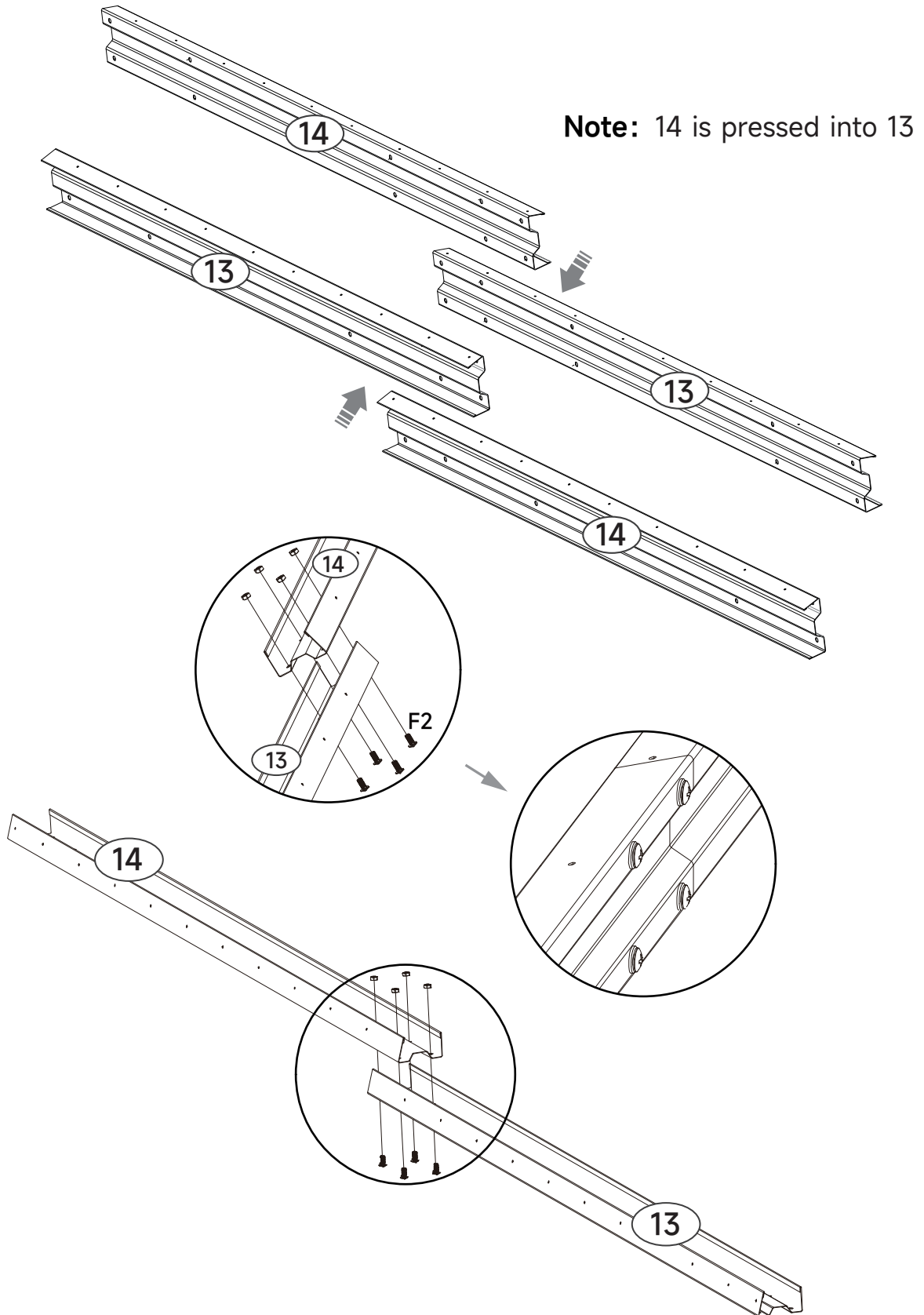
# STEP 20

| NO | PART  | QTY |
|----|---|-----|
| F1 |  | 28  |




# STEP 21

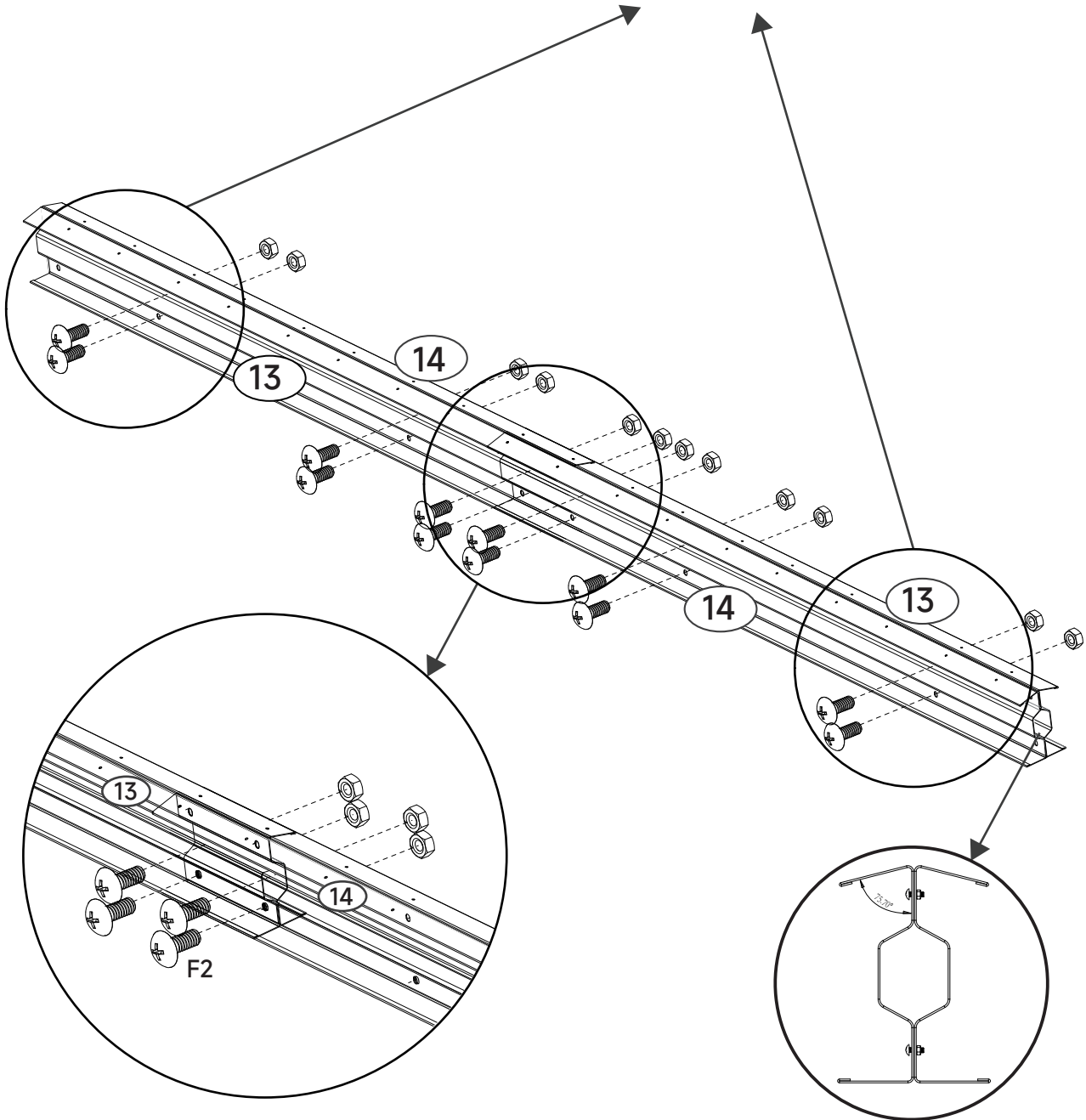
| NO | PART  | QTY |
|----|---|-----|
| F2 |  | 8   |




# STEP 22

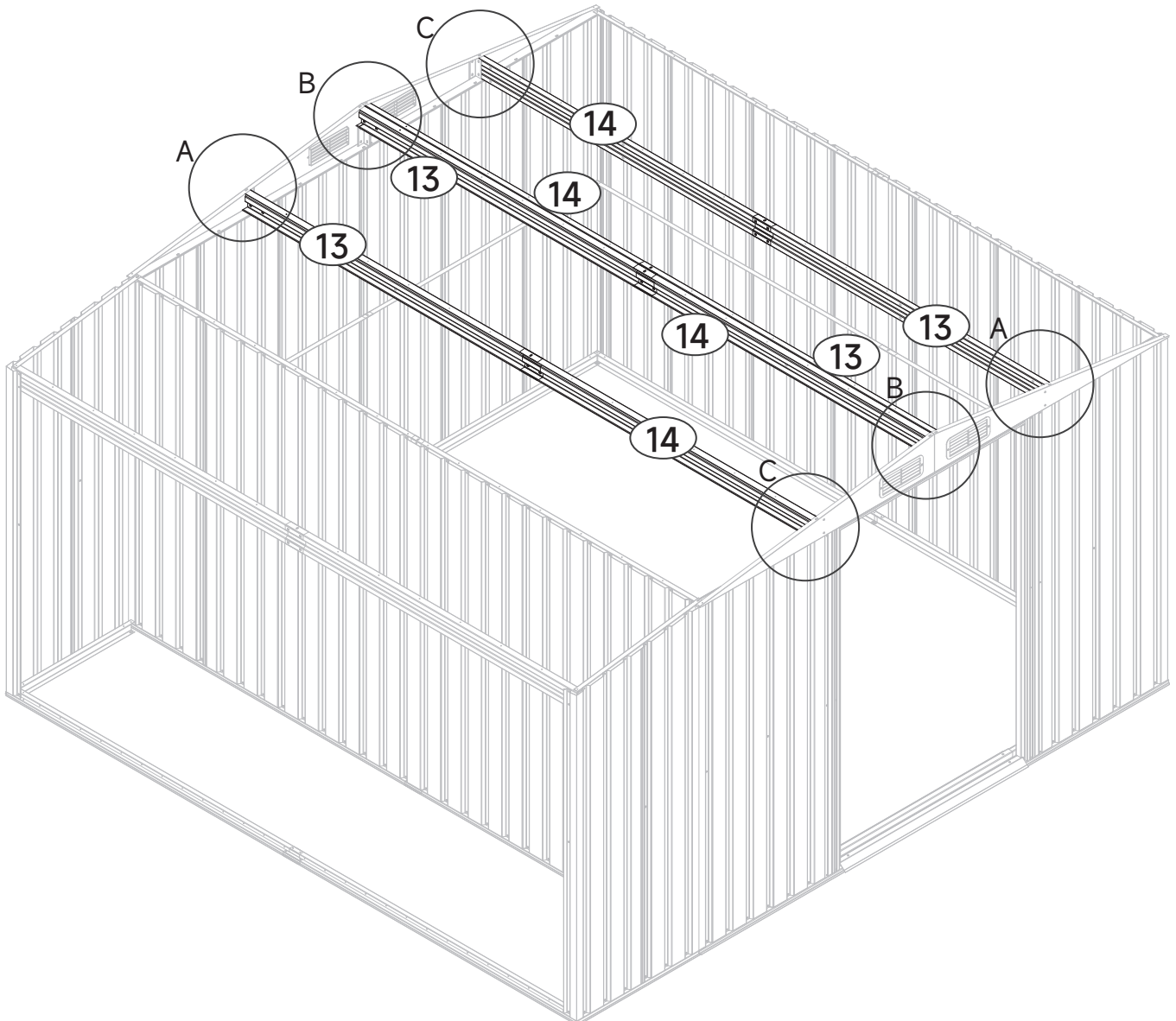
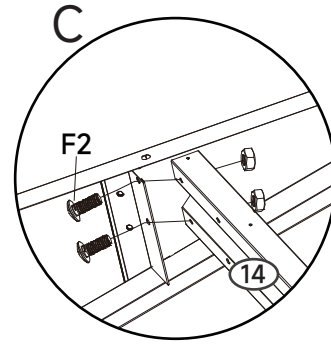
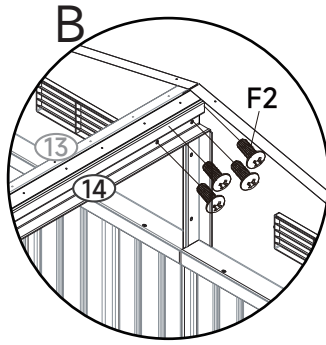
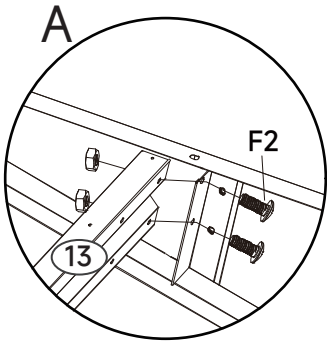
| NO | PART  | QTY |
|----|---|-----|
| F2 |  | 12  |

**Note:** Don't tighten these two screws too tightly

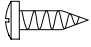



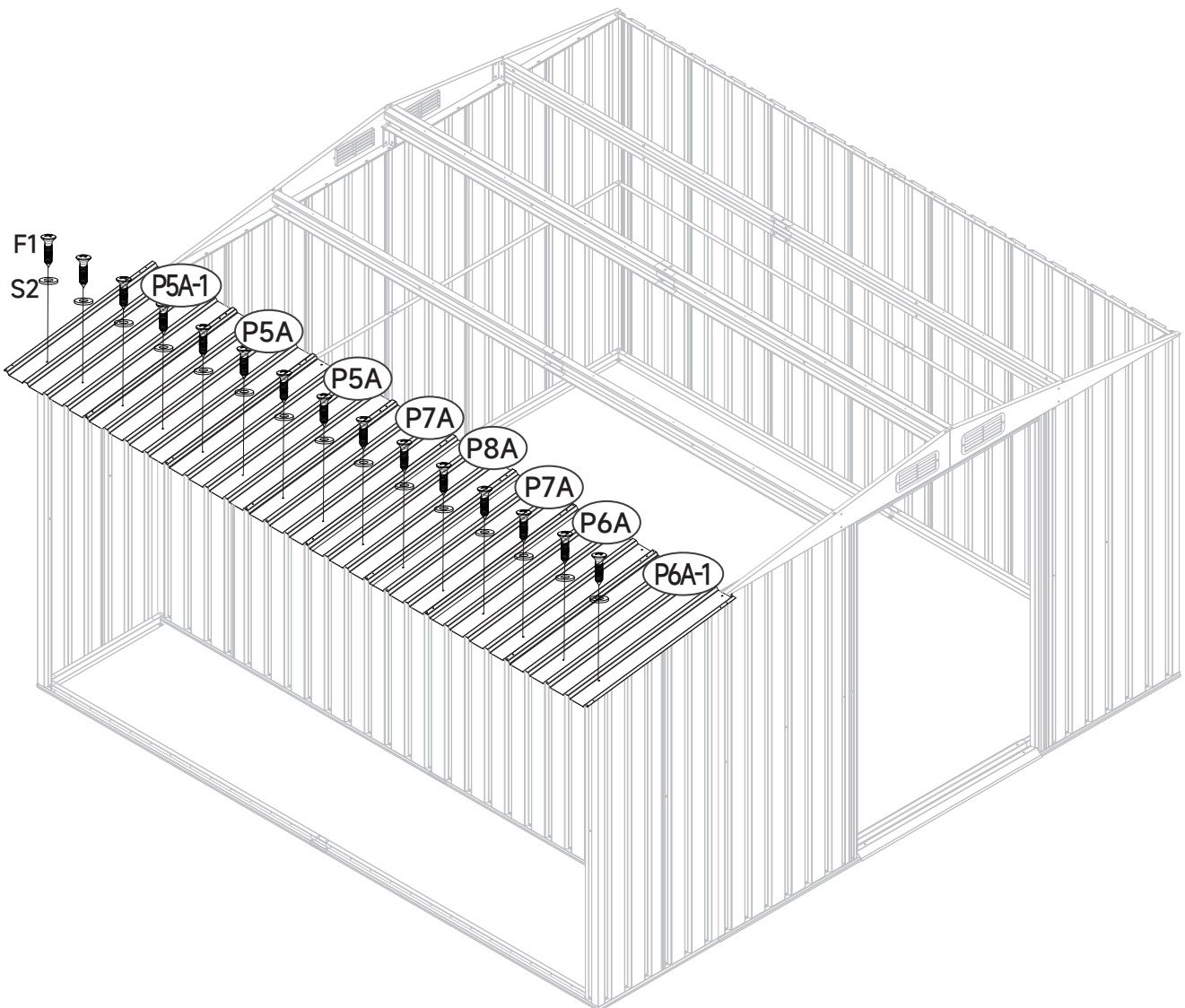
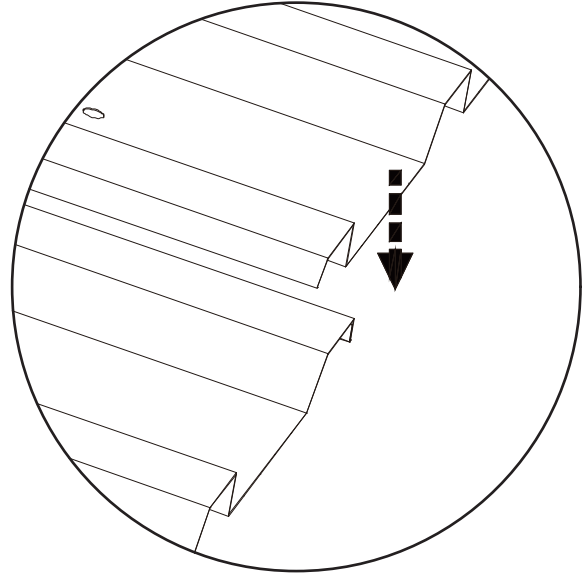
# STEP 23

| NO | PART  | QTY |
|----|---|-----|
| F2 |  | 16  |

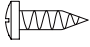



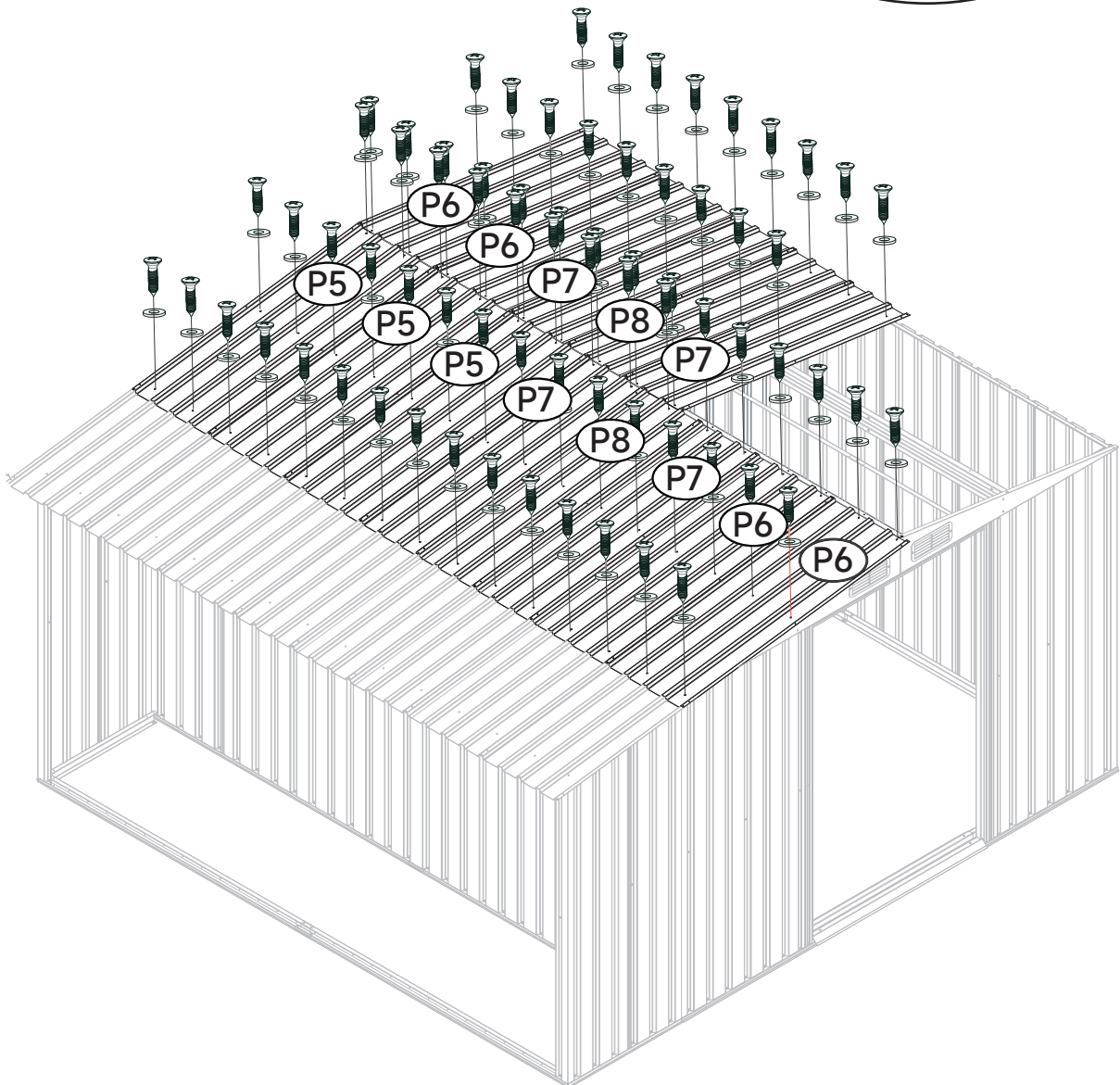
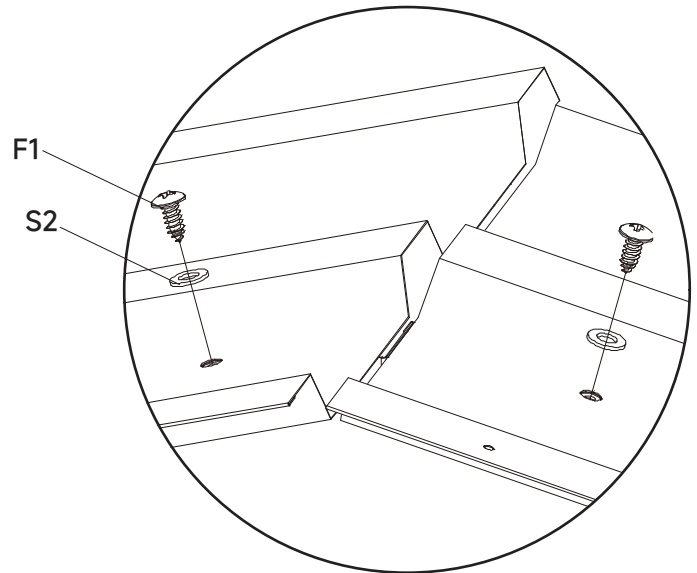
# STEP 24

| NO | PART  | QTY |
|----|---|-----|
| F1 |  | 15  |
| S2 |  | 15  |

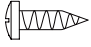




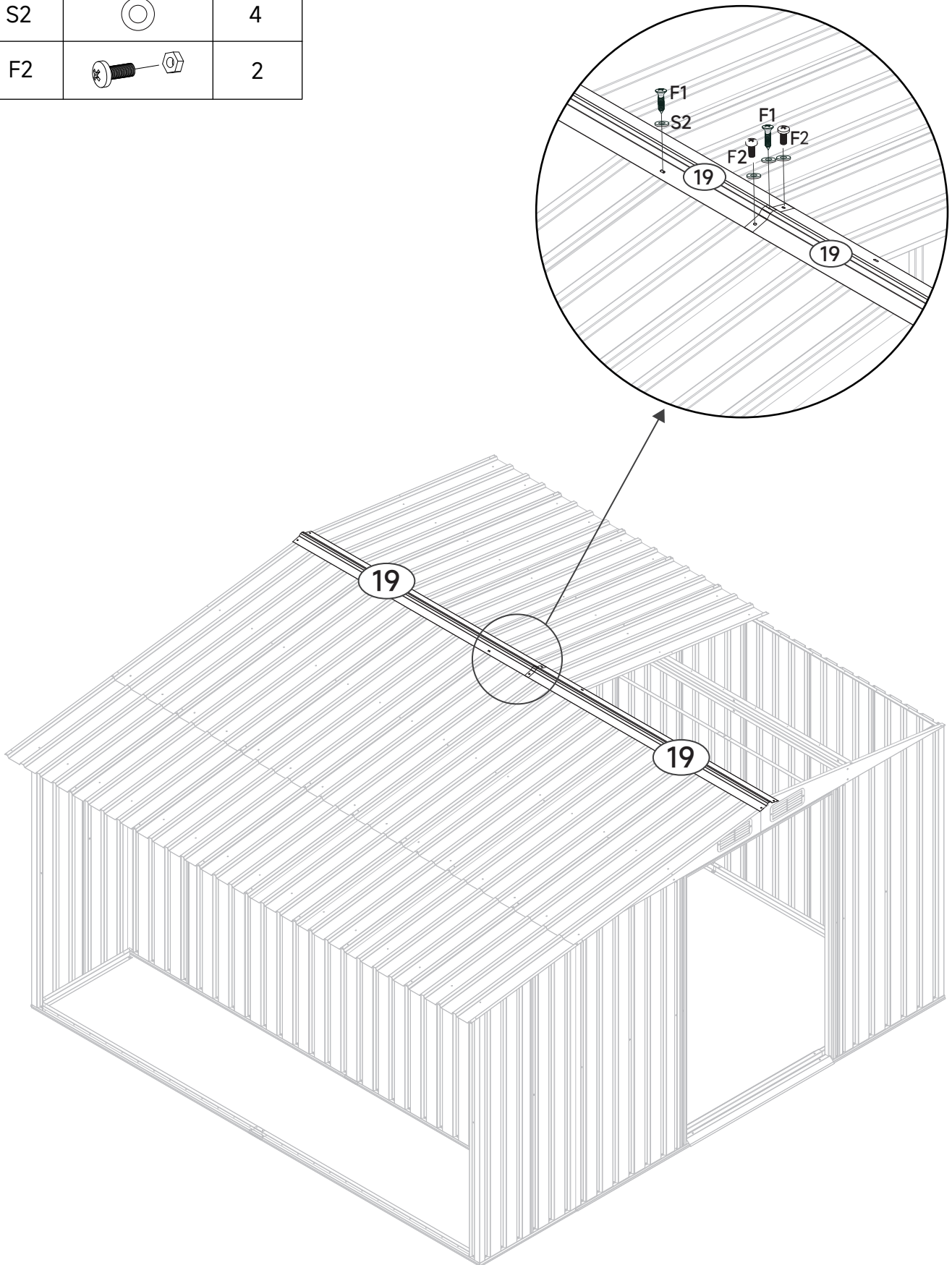
# STEP 25

| NO | PART  | QTY |
|----|---|-----|
| F1 |  | 72  |
| S2 |  | 72  |

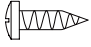



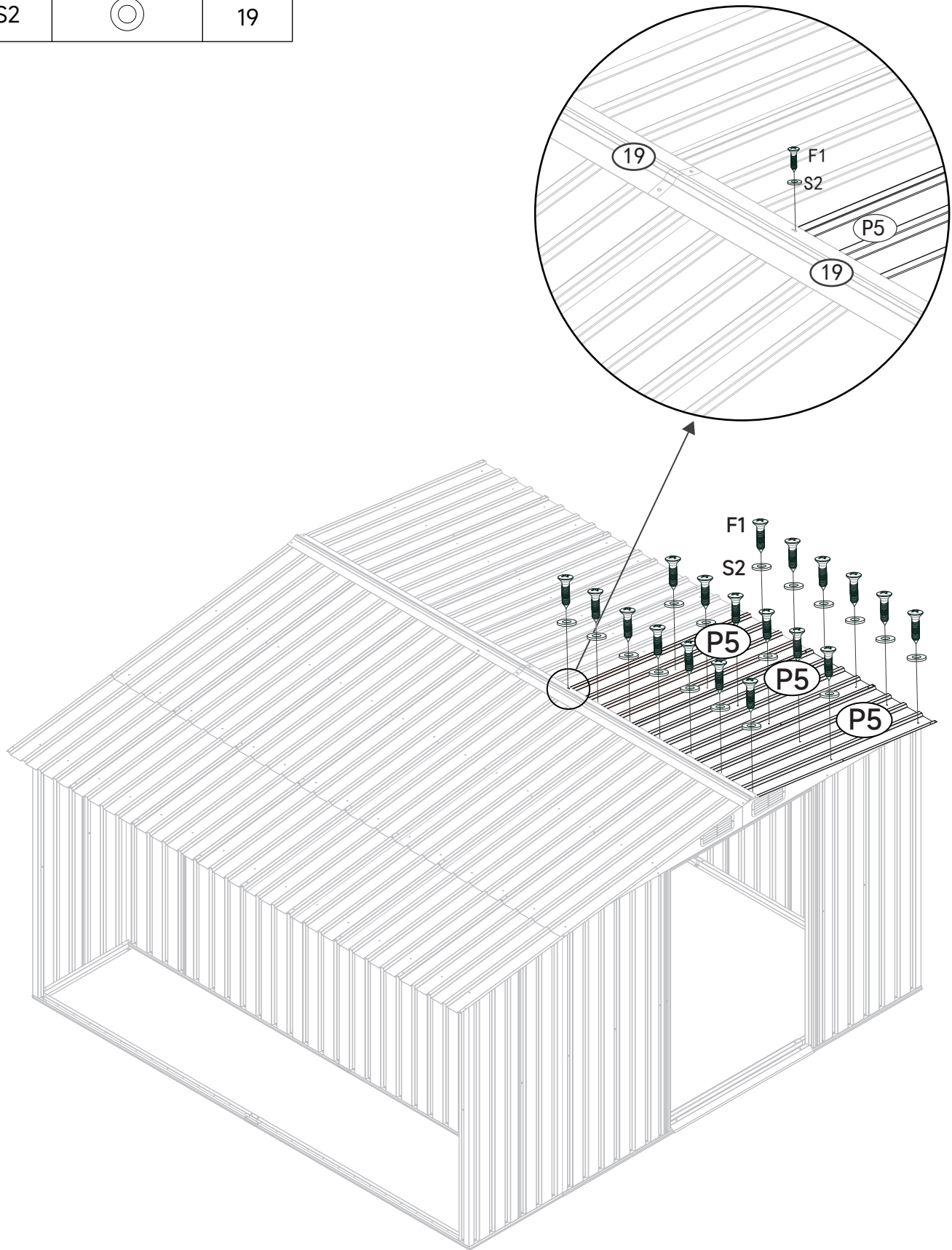
# STEP 26

| NO | PART  | QTY |
|----|---|-----|
| F1 |  | 2   |
| S2 |  | 4   |
| F2 |  | 2   |

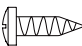



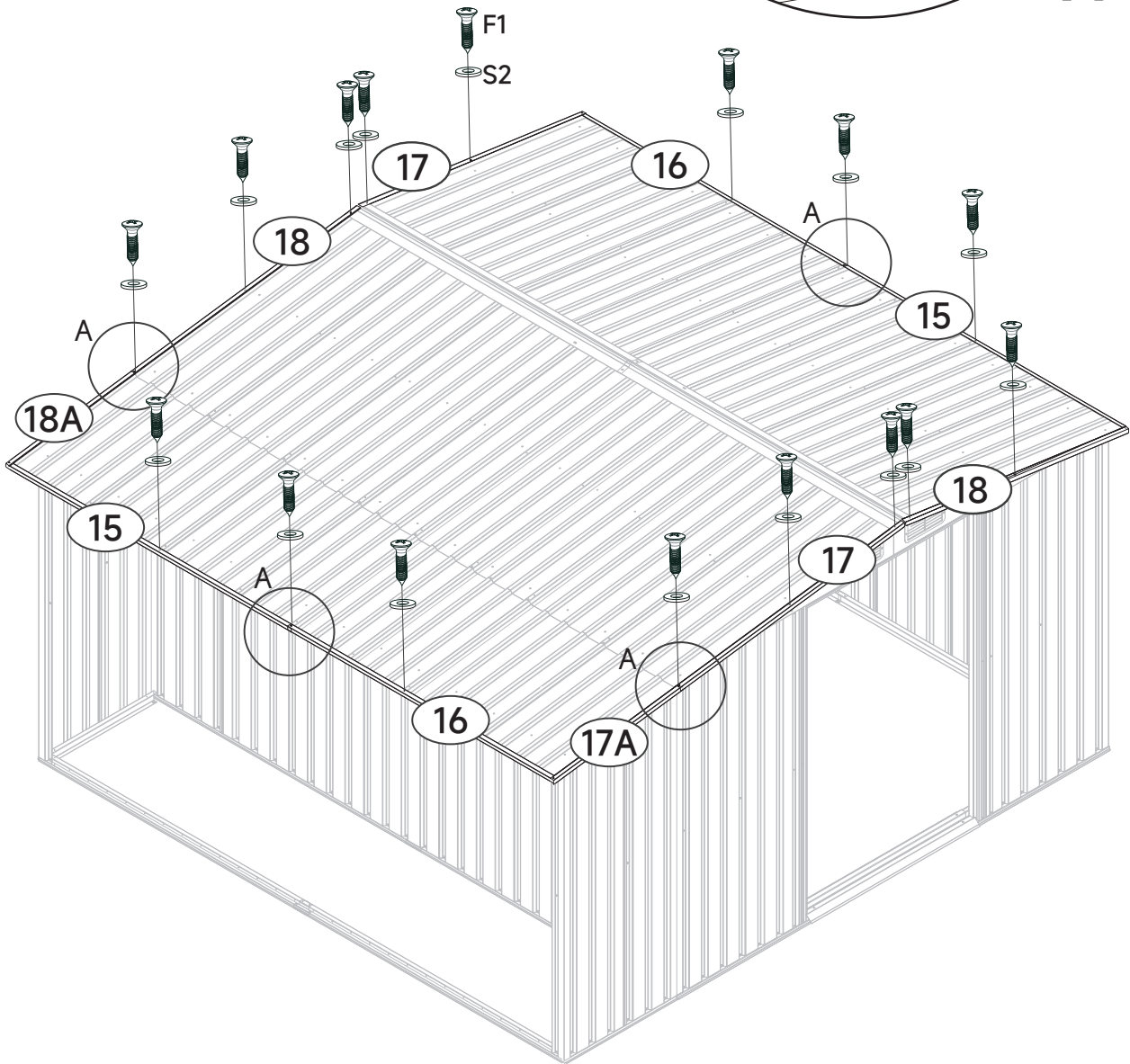
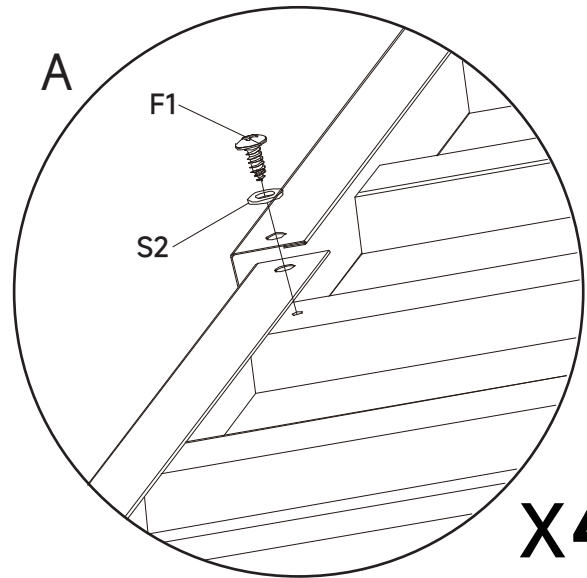
# STEP 27

| NO | PART  | QTY |
|----|---|-----|
| F1 |  | 19  |
| S2 |  | 19  |

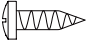



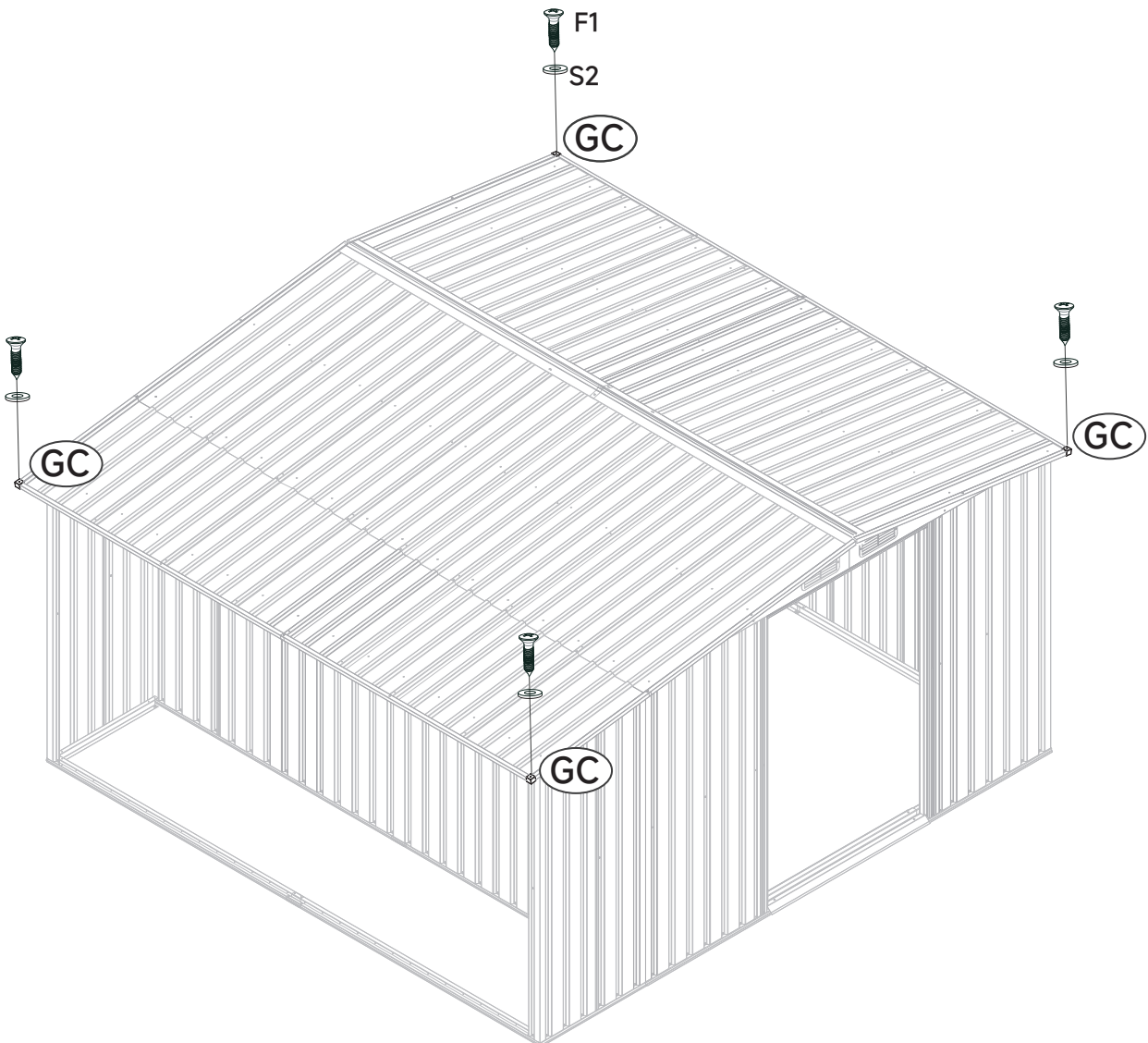
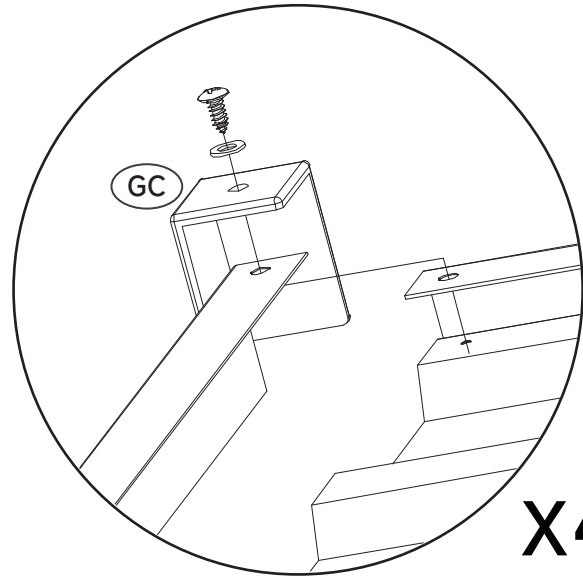
# STEP 28

| NO | PART  | QTY |
|----|---|-----|
| F1 |  | 16  |
| S2 |  | 16  |

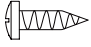


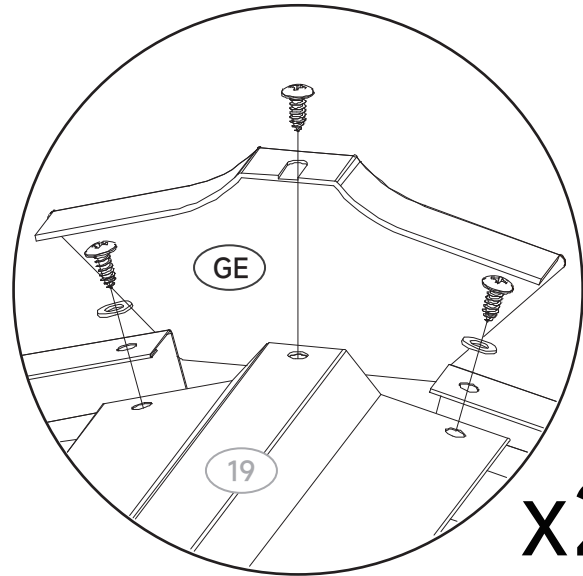
# STEP 29

| NO | PART  | QTY |
|----|---|-----|
| F1 |  | 4   |
| S2 |  | 4   |

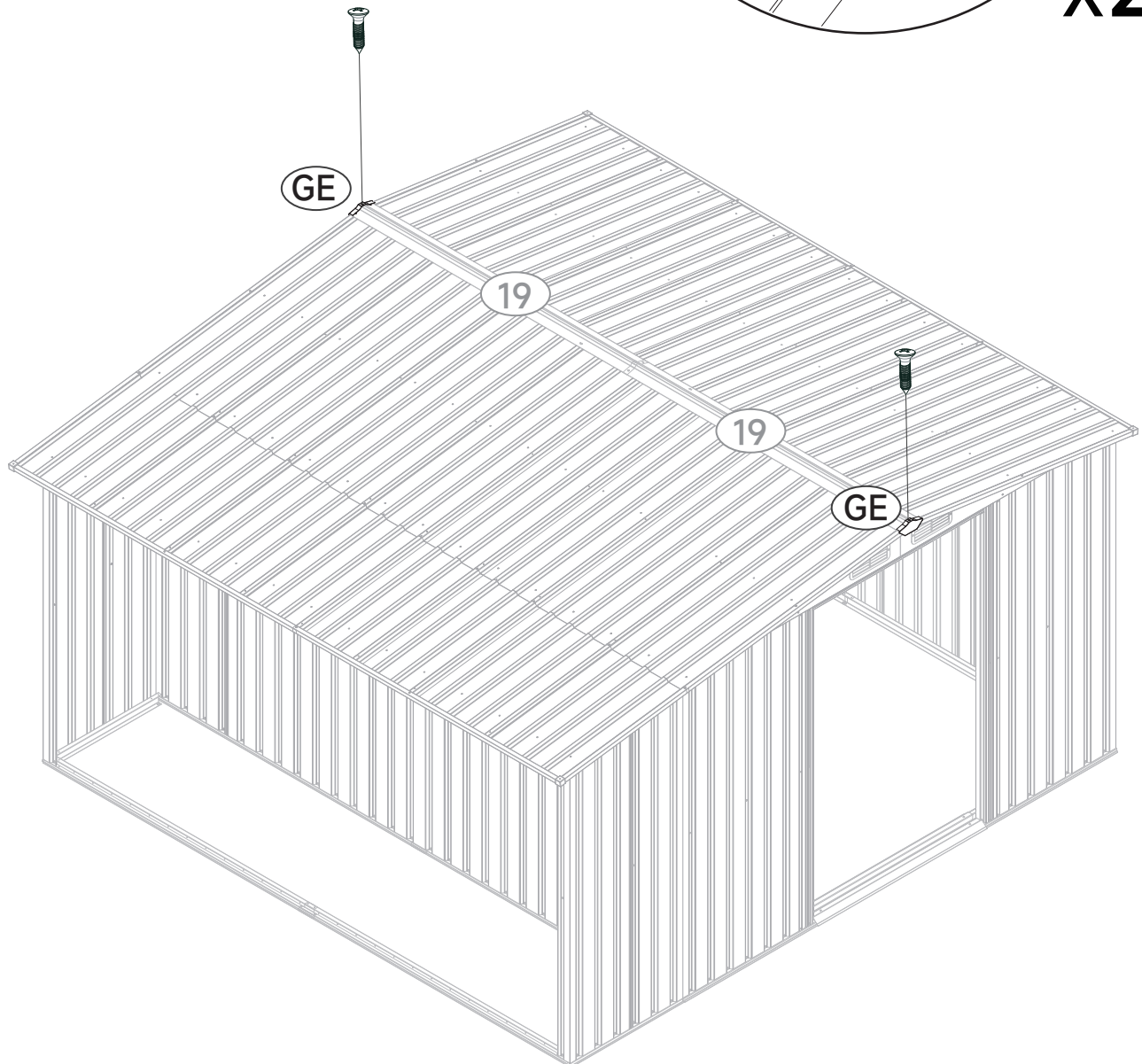


# STEP 30



| NO | PART  | QTY |
|----|---|-----|
| F1 |  | 2   |

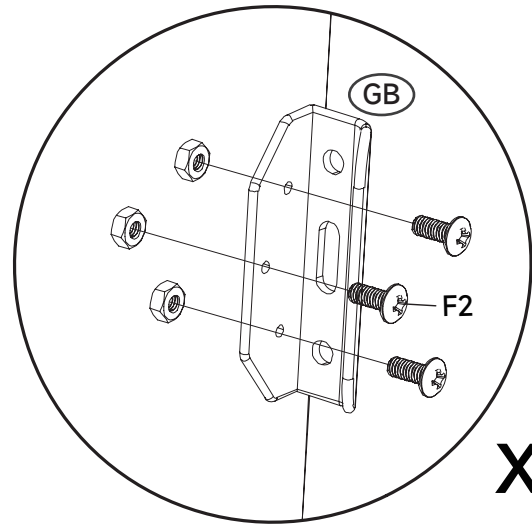


x2

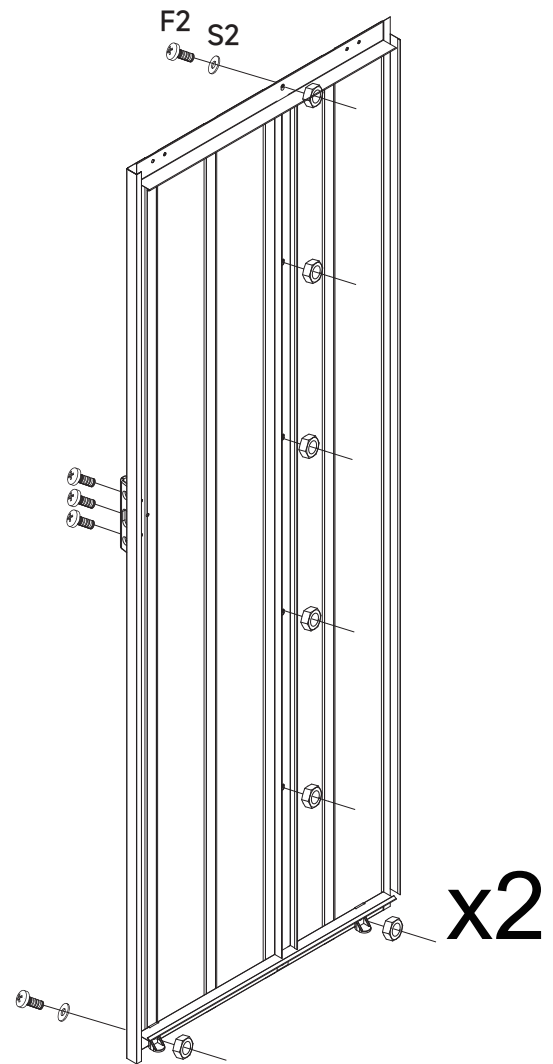
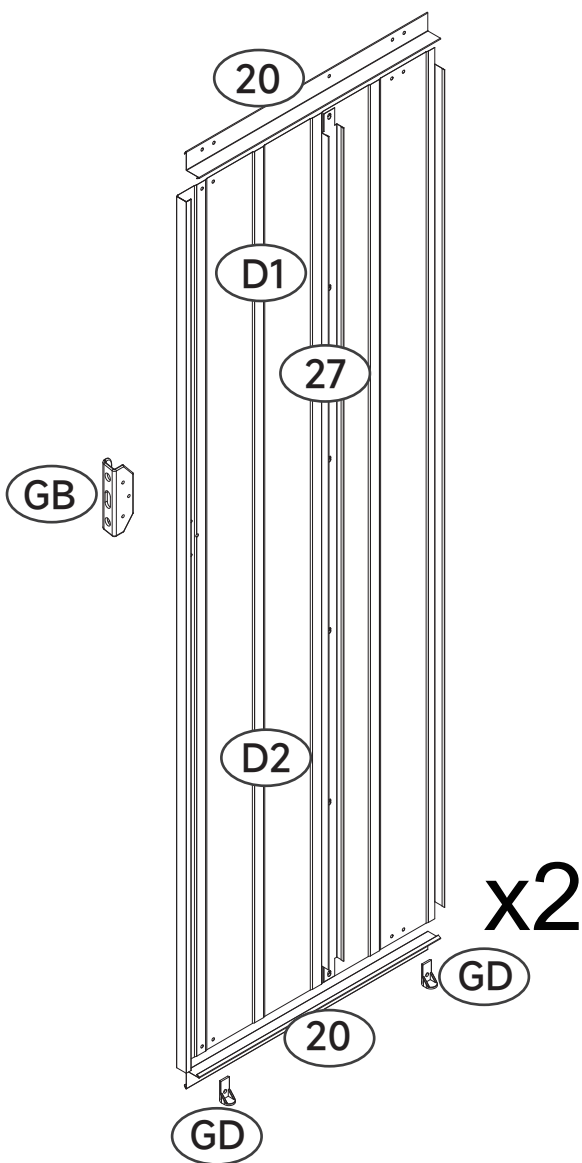


# STEP 31

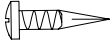
| NO | PART  | QTY |
|----|---|-----|
| F2 |  | 20  |
| S2 |  | 14  |



**x2**



# STEP 32

| NO | PART  | QTY |
|----|---|-----|
| F3 |  | 8   |

