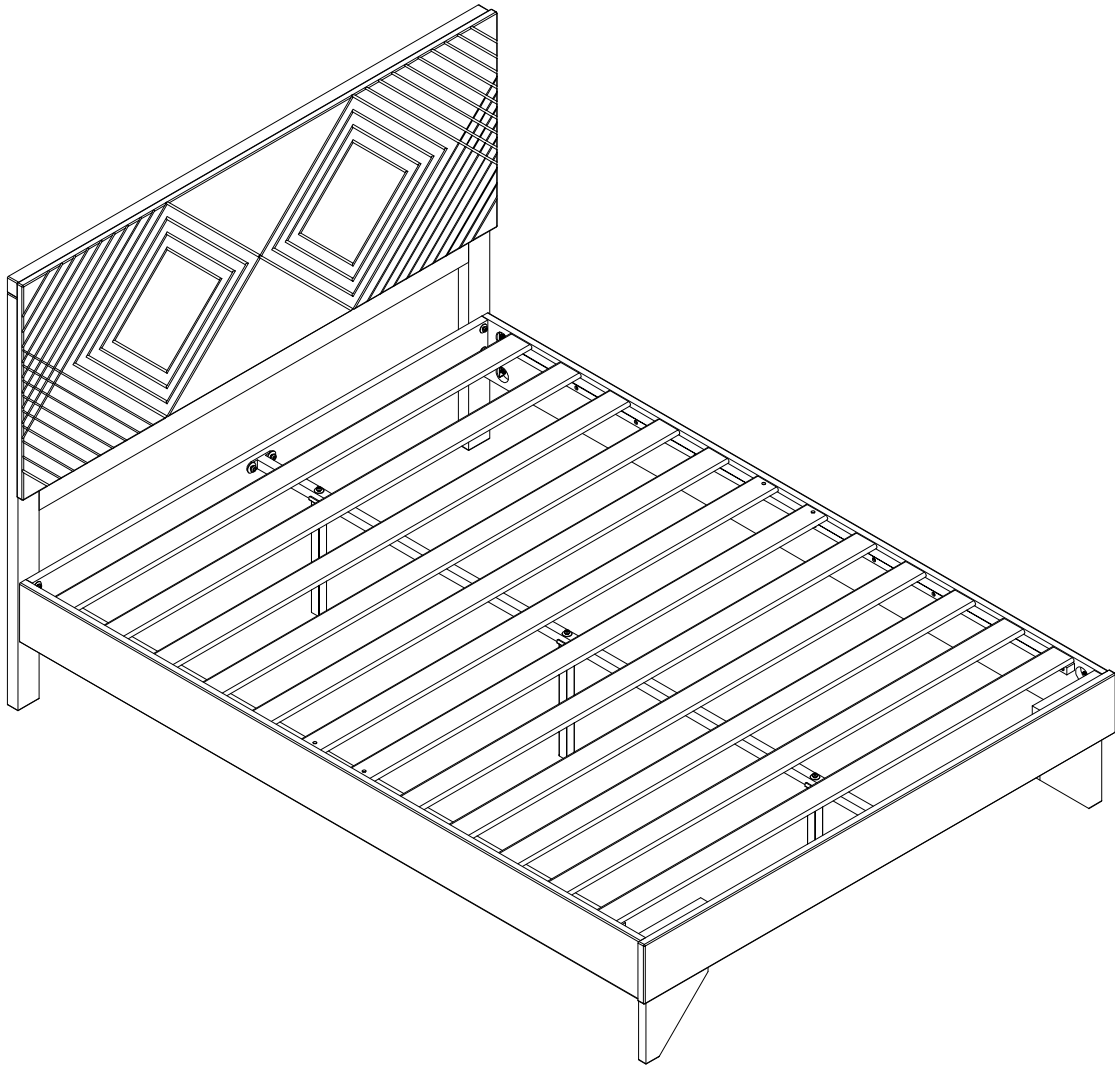
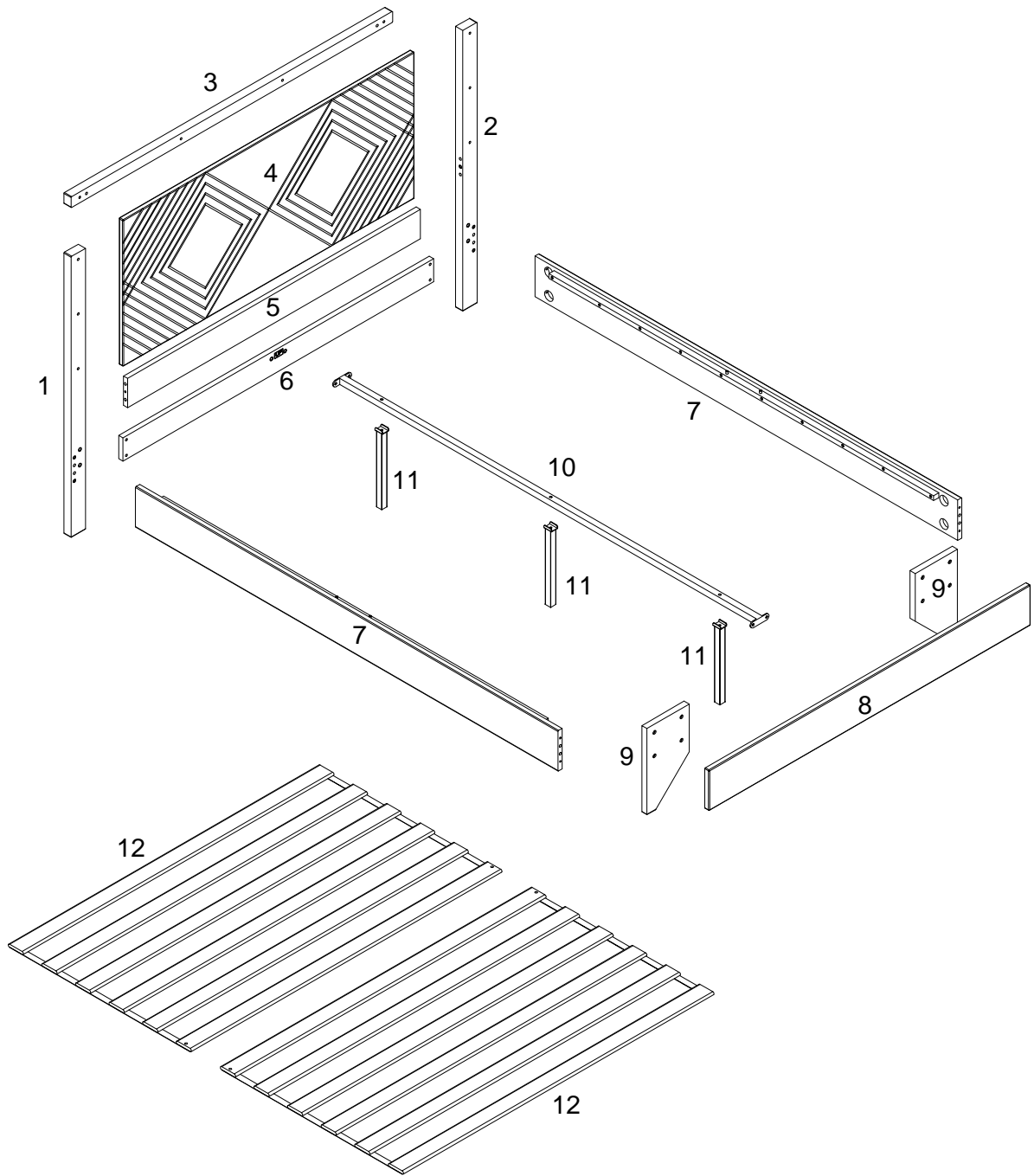


# INSTRUCTION

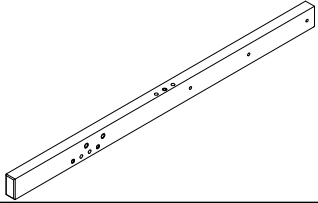
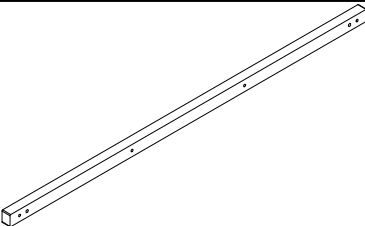
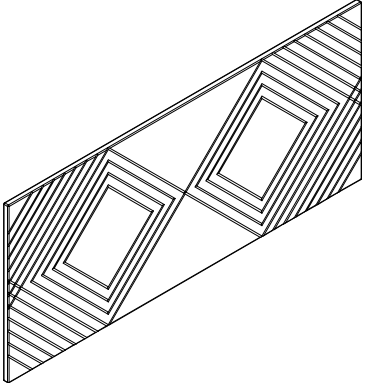
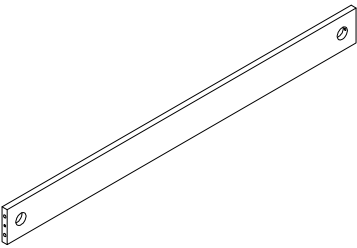
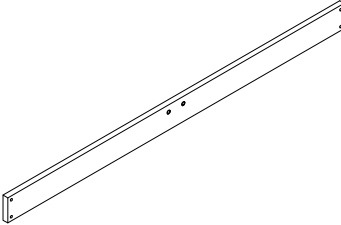
## Oak

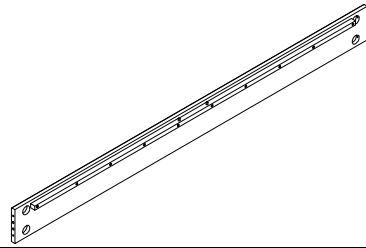
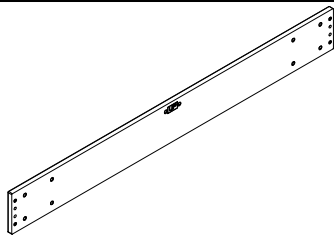
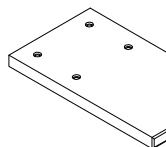
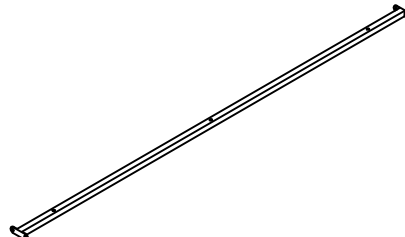

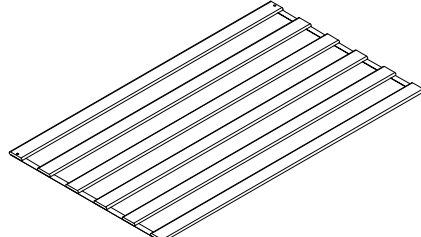
Caution: Read owner's manual completely before assembly and use.



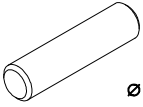
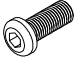
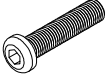

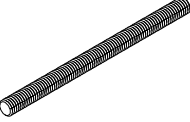
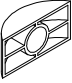
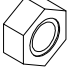

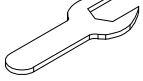


Parts :

	PARTS	Q'TY
1		01
2		01
3		01
4		01
5		01
6		01

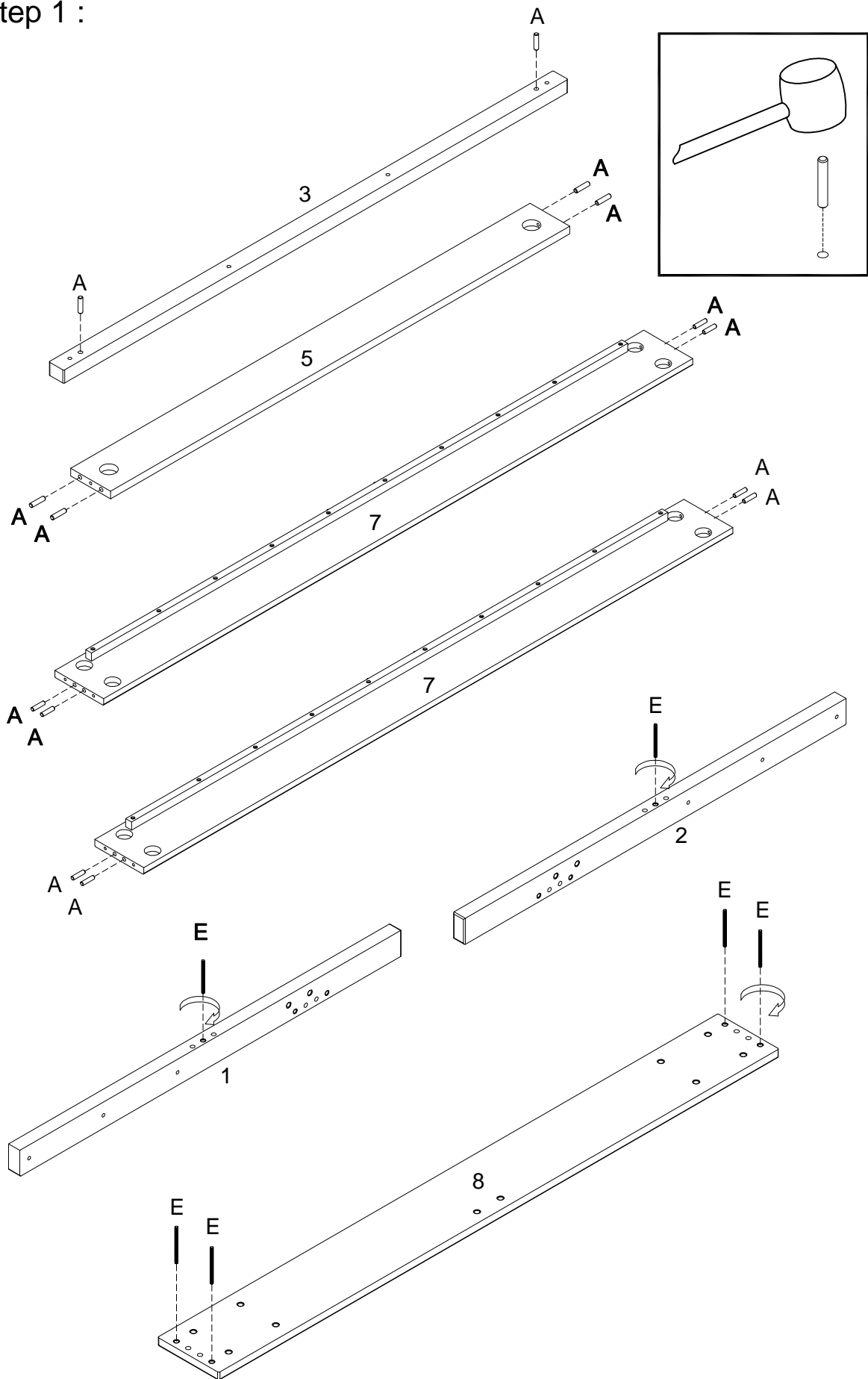
	PARTS	Q'TY
7		02
8		01
9		02
10		01
11		03
12		02

Hardware:

	HARDWARE	Q'TY	SPARE
A	 ø10×40	14	2
B	 ø8×20	04	0
C	 ø8×35	25	2
D		11	2
E		10	0
F		10	0
G		10	0
H		01	0
I		01	0

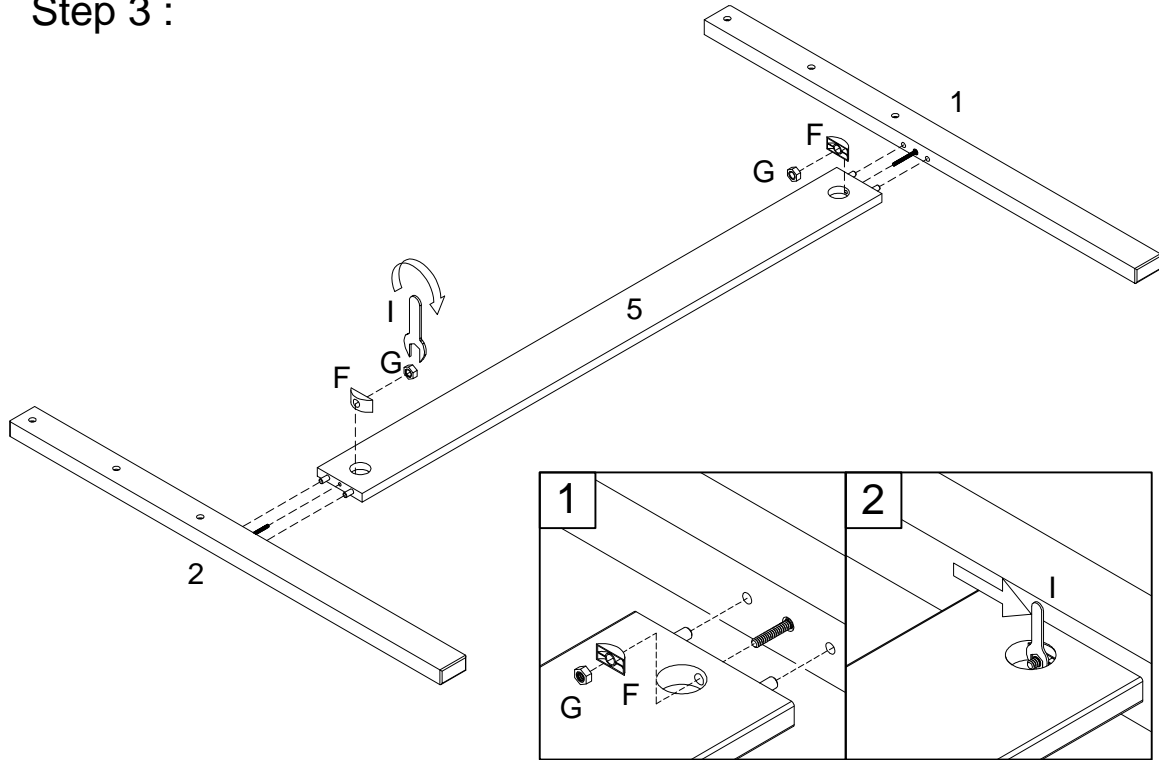
# Step By Step Assembly Instructions

Step 1 :

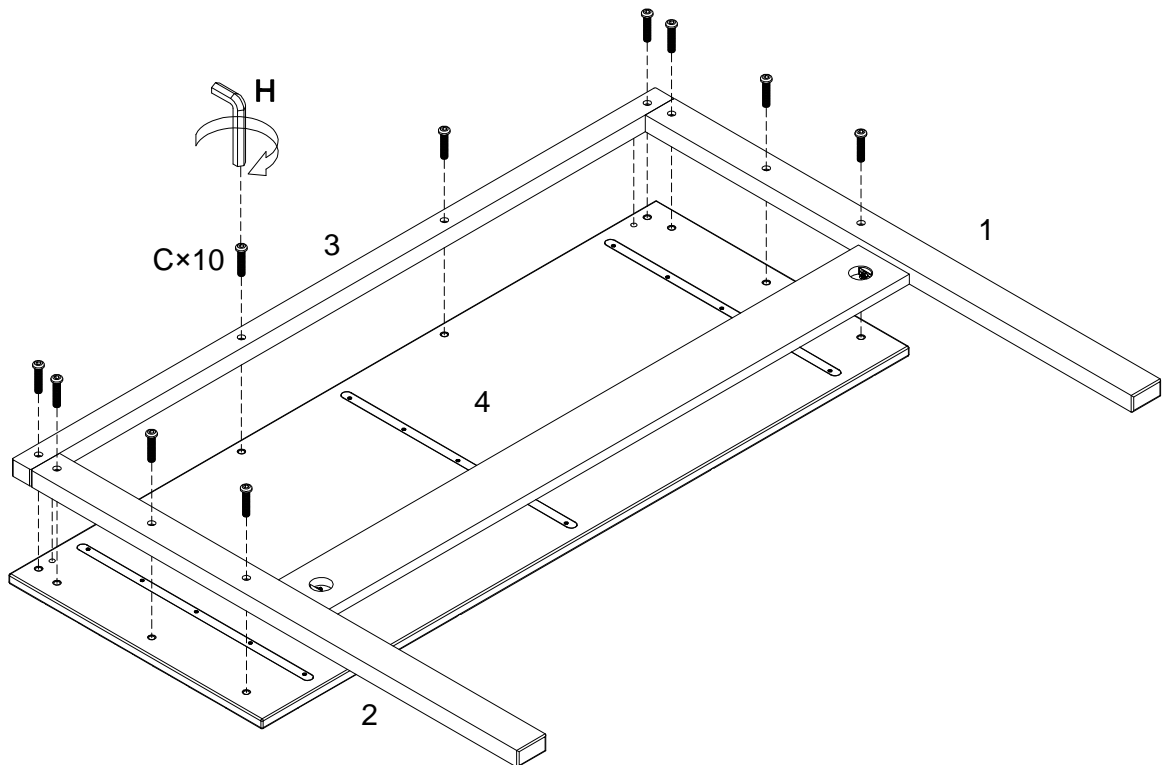


# Step By Step Assembly Instructions

Step 3 :

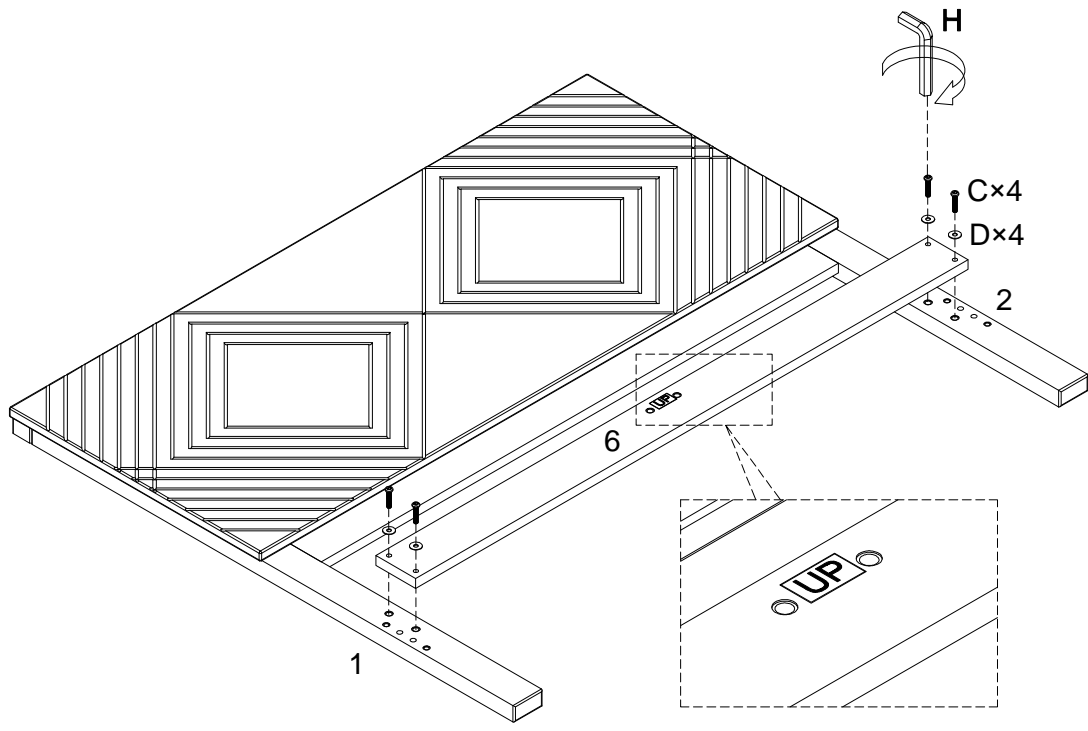


Step 4 :

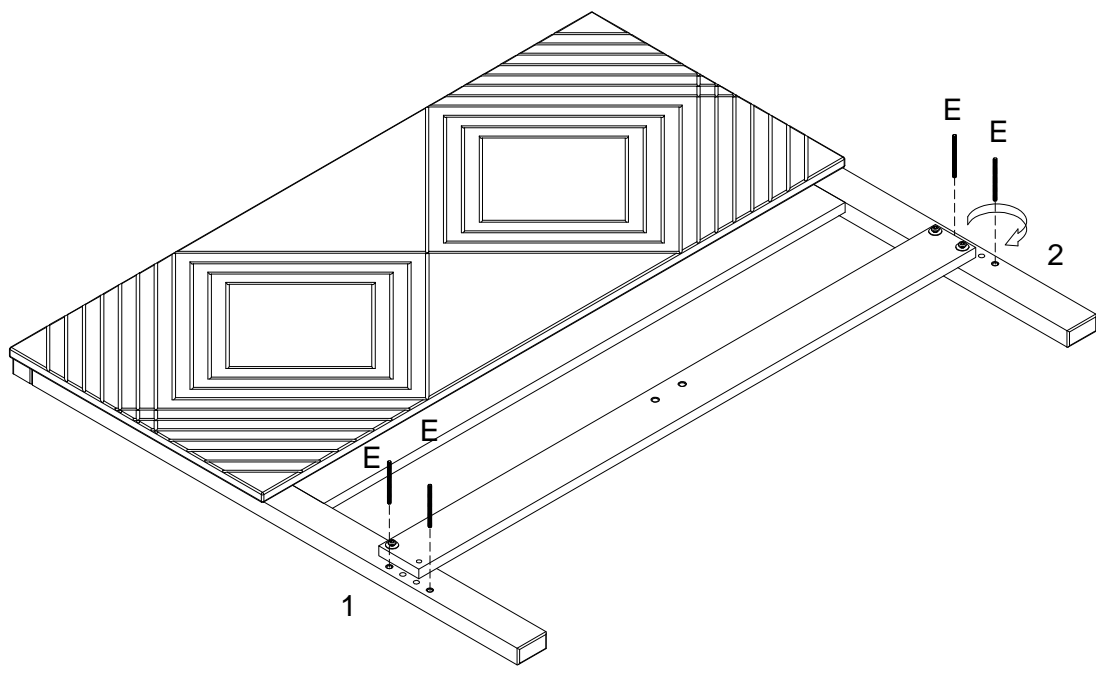


# Step By Step Assembly Instructions

Step 5 :

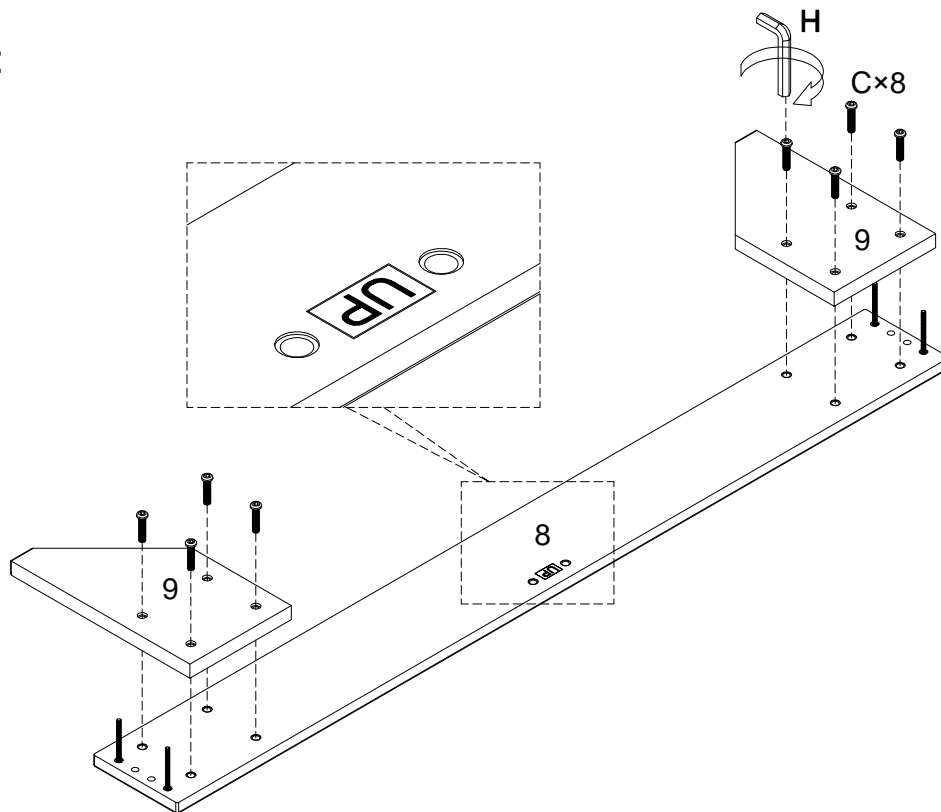


Step 6 :

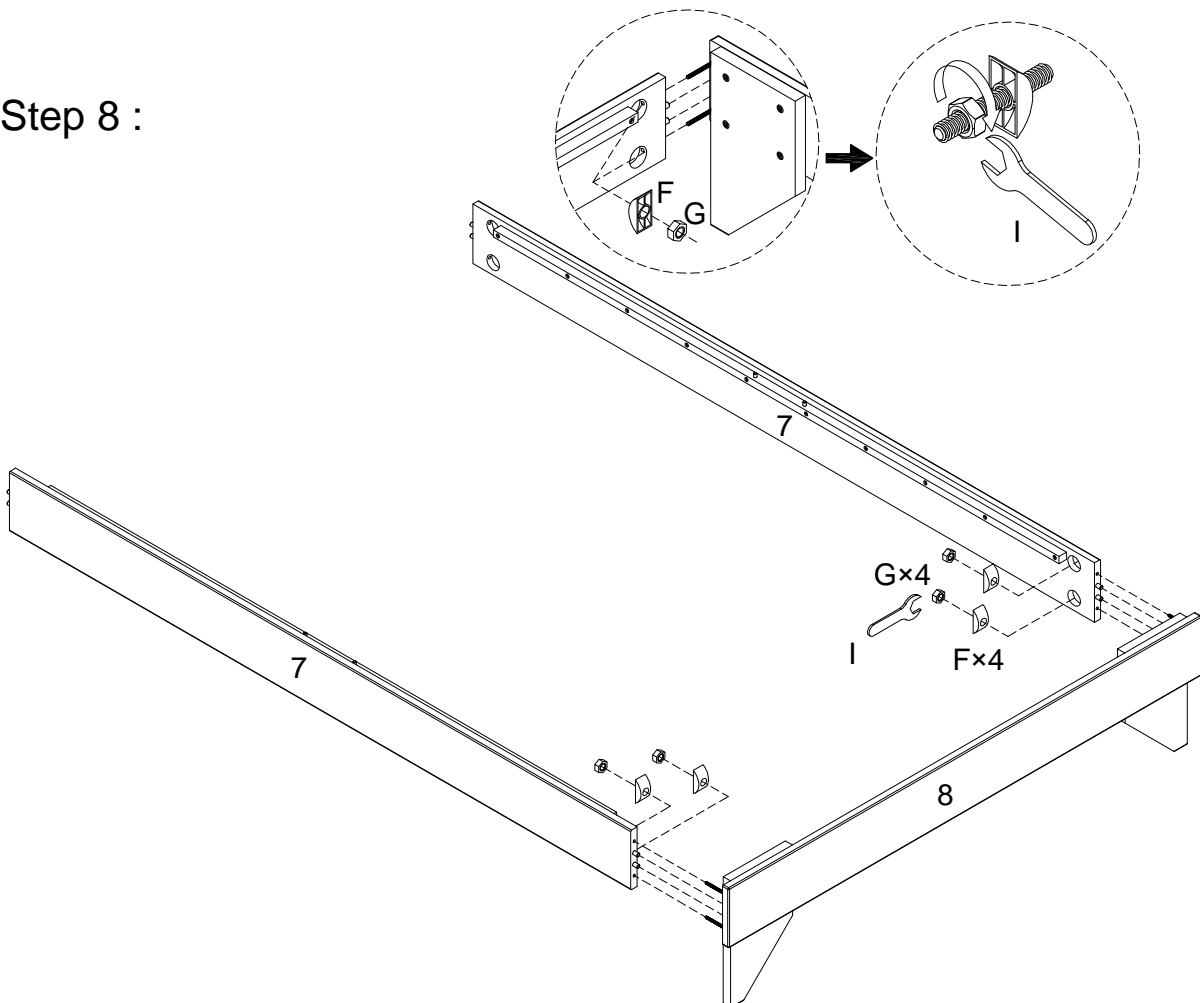


# Step By Step Assembly Instructions

Step 7 :

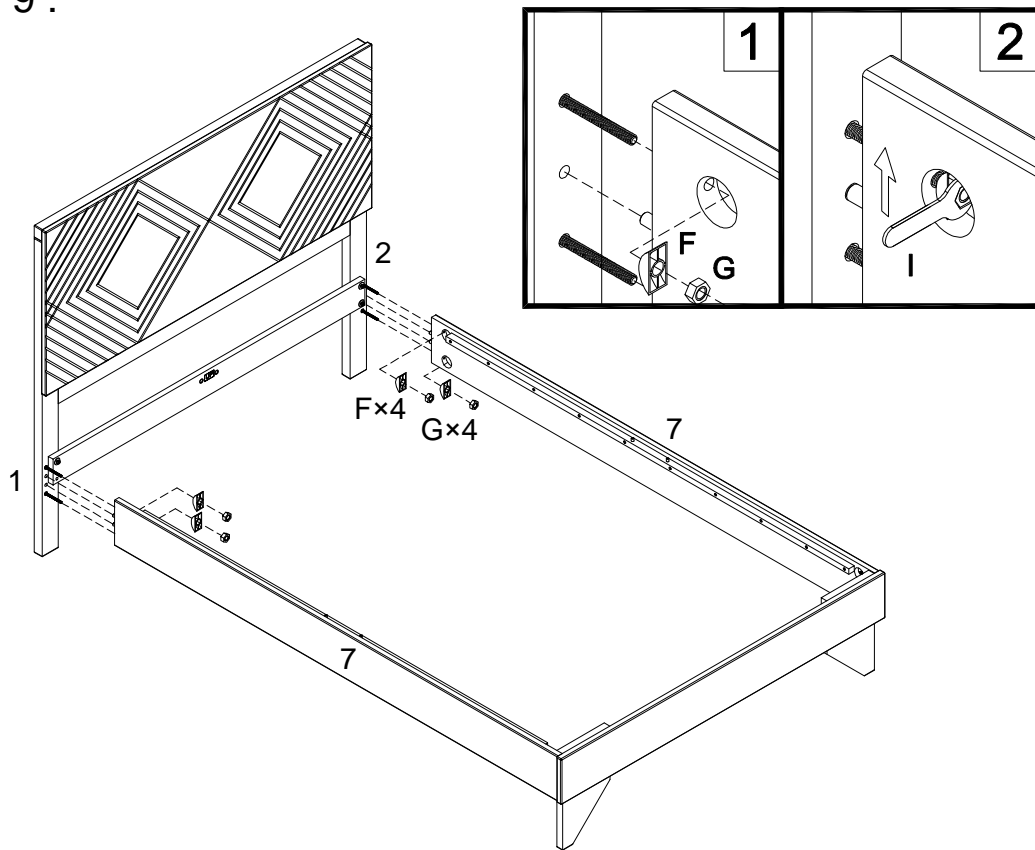


Step 8 :

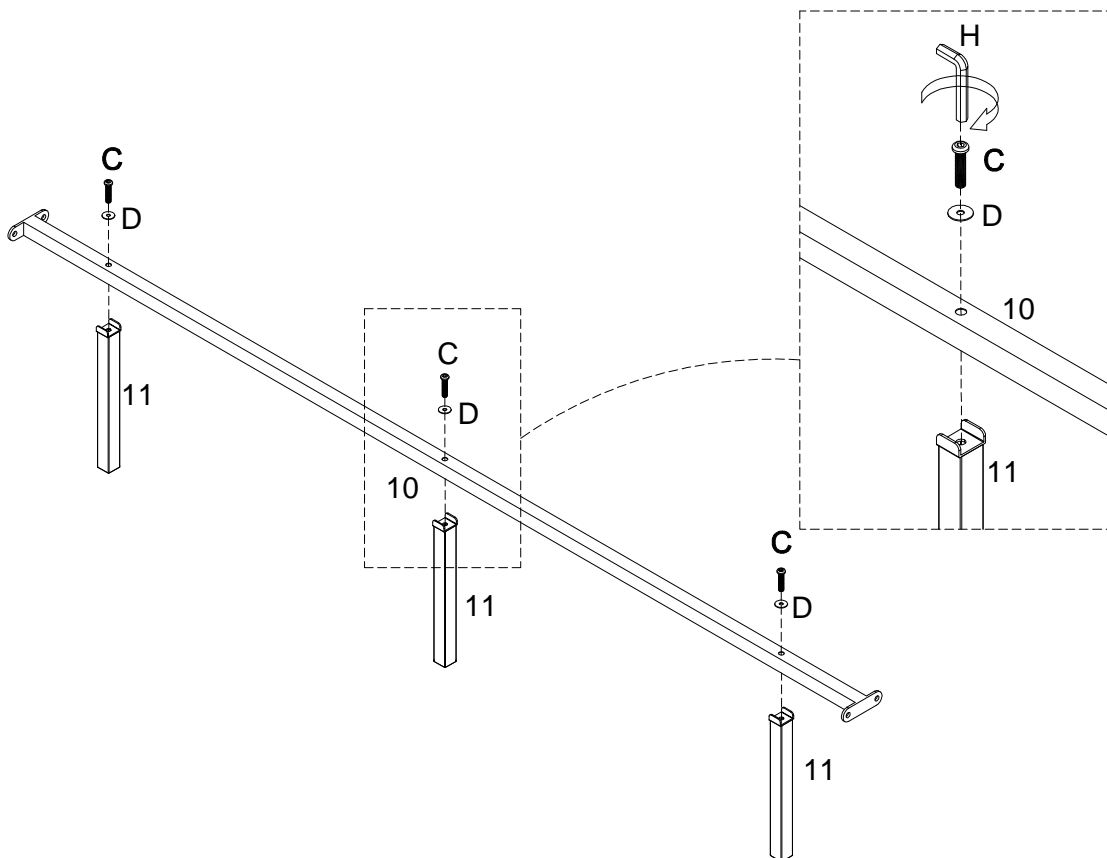


# Step By Step Assembly Instructions

Step 9 :

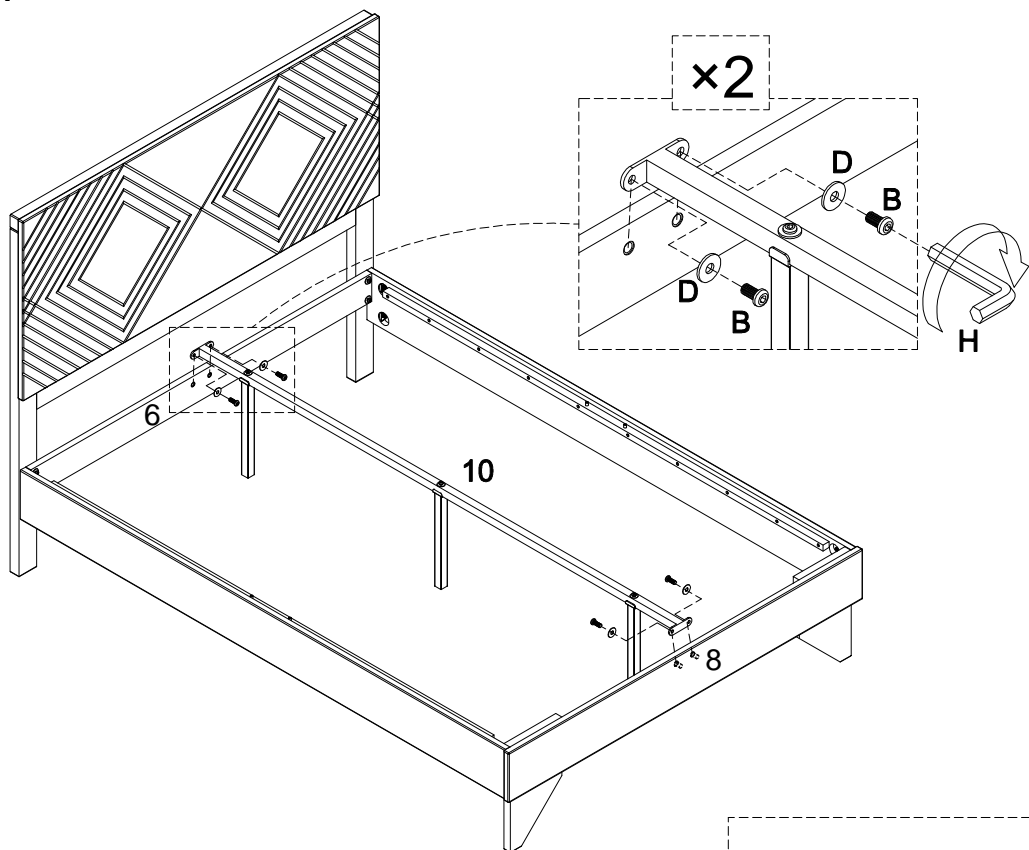


Step 10 :

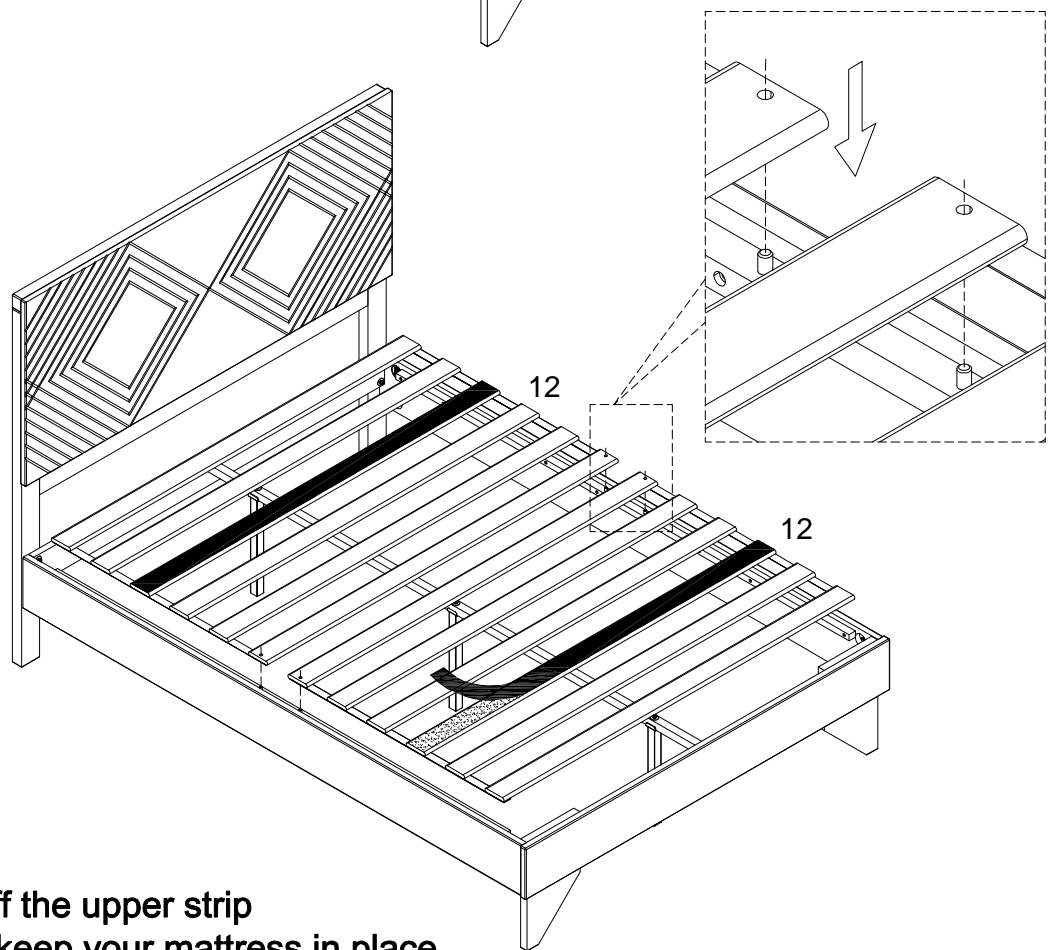


# Step By Step Assembly Instructions

Step 11 :



Step 12 :



Please peel off the upper strip  
Non-slip tape keep your mattress in place

## **Warning!**

When the assembly bed needs to move, it can't be directly pushed and pulled. First of all, the foot of the bed should be lifted off the ground and then moved. Otherwise, the support rod in the middle of the bed can be crooked or broken .