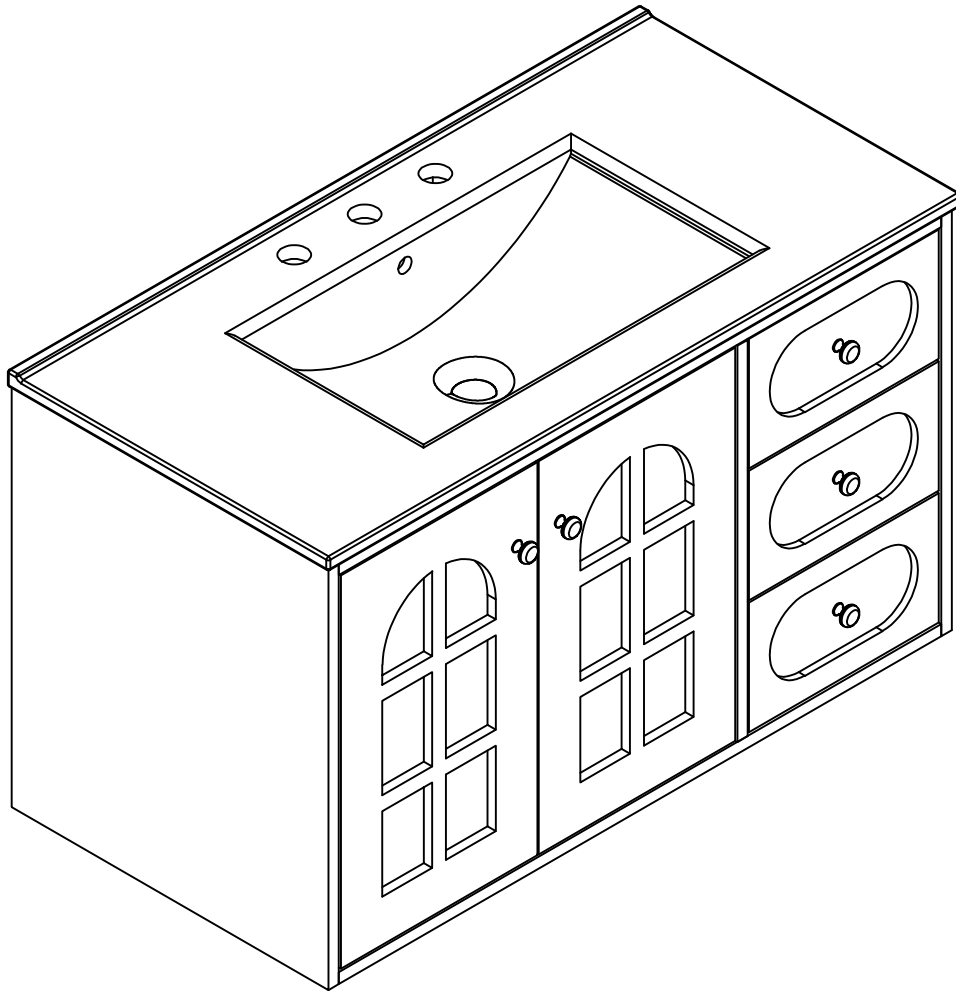


ASSEMBLY INSTRUCTIONS


BATH VANITY-CABINET

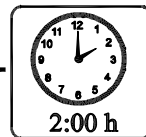
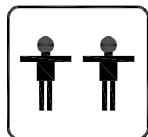
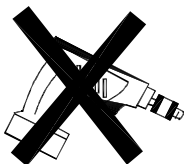


Thank you for purchasing this quality product. Be sure to check all packing material carefully for small parts which may have come loose inside the carton during shipment. Separate, identify and count all parts and hardware.

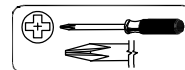
Compare with the parts list to be sure all parts are present.

DO NOT TIGHTEN SCREWS UNTIL COMPLETELY ASSEMBLED

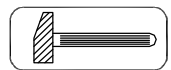

* Use of power tool to assemble this product will invalidate any claim and damage this product making unsafe !!!
* Please assemble on a clean soft surface to avoid damage.



Tools Required



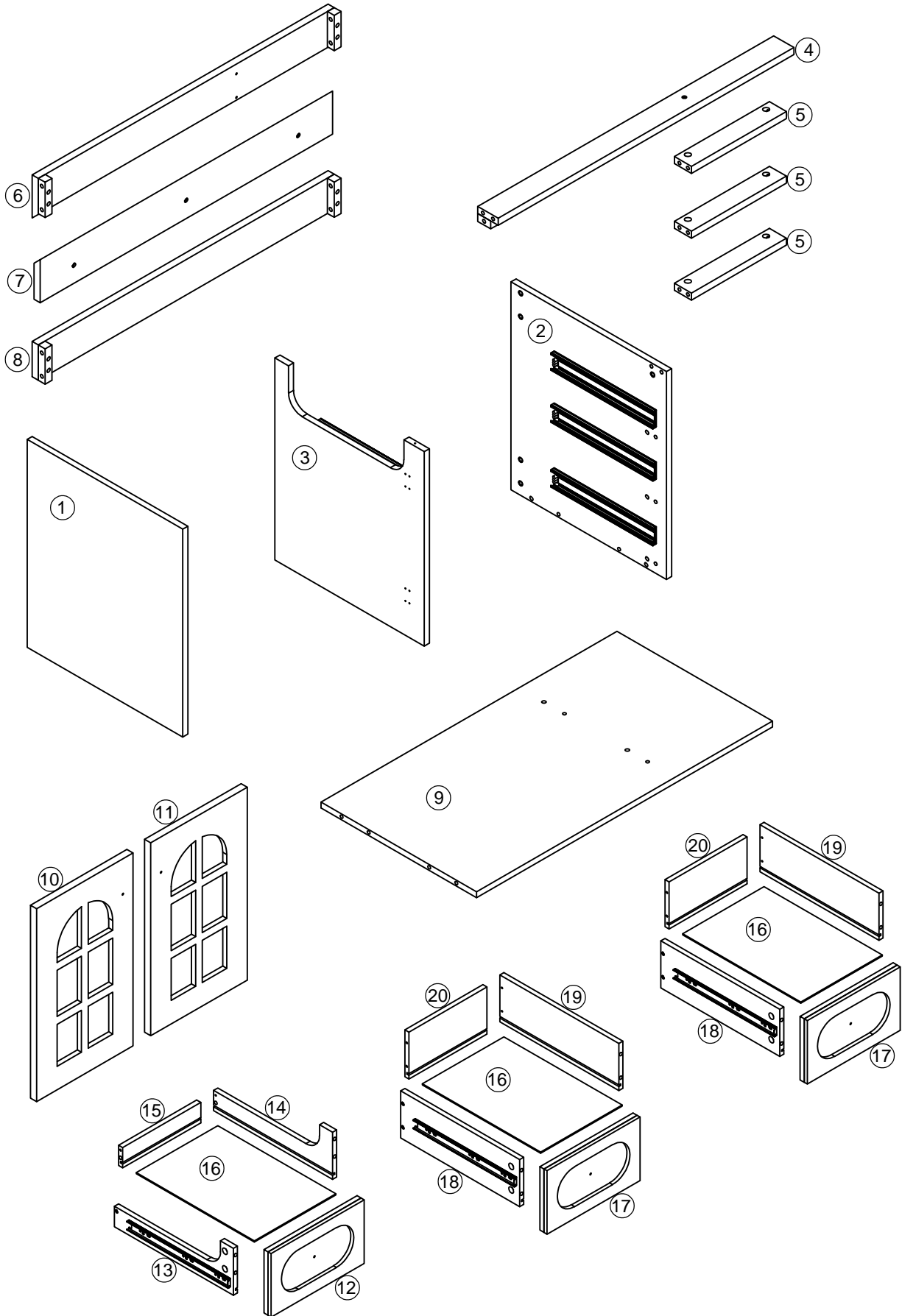
(Not included)



(Not included)

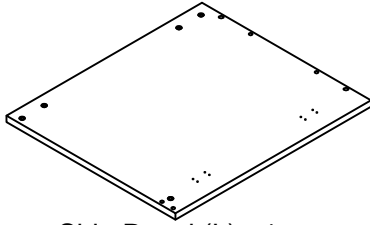
IMPORTANT:
PLEASE READ INSTRUCTION BEFORE STARTING THE ASSEMBLY

Detail View



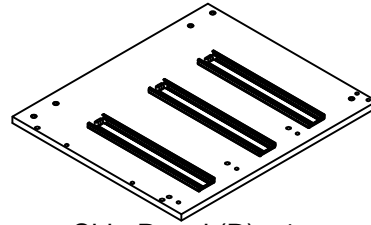
Part Lists N710P198681

1



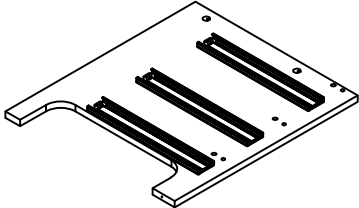
Side Panel (L) - 1 pc

2



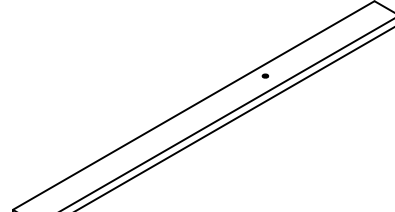
Side Panel (R) - 1 pc

3



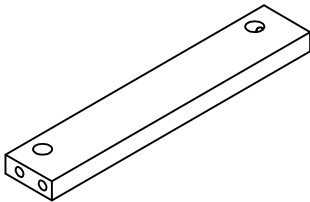
Mid Panel - 1 pc

4



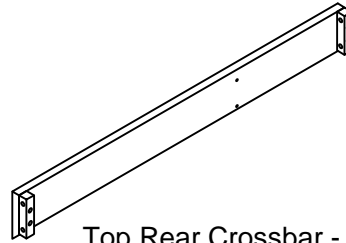
Front Long Crossbar - 1 pc

5



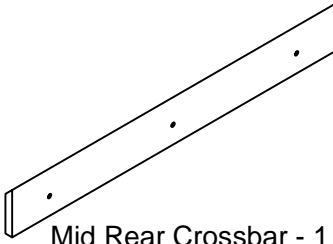
Front Short Crossbar - 3 pcs

6



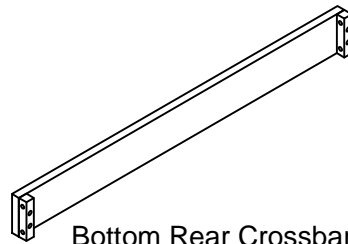
Top Rear Crossbar - 1 pc

7



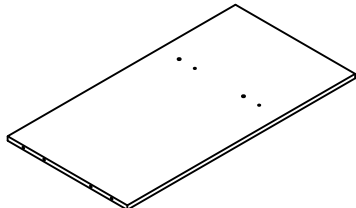
Mid Rear Crossbar - 1 pc

8



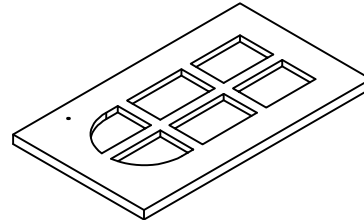
Bottom Rear Crossbar - 1 pc

9



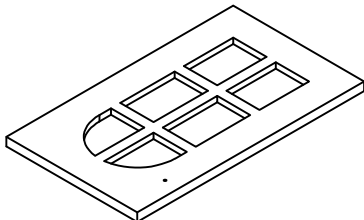
Bottom Frame - 1 pc

10



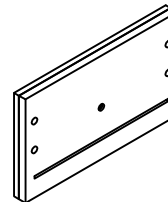
Door Cabinet (L) - 1 pc

11



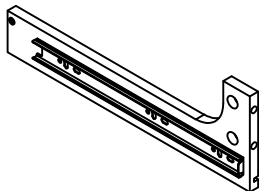
Door Cabinet (R) - 1 pc

12



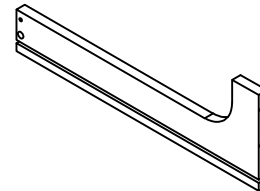
Top Drawer Face - 1 pc

13



Top Drawer Side Panel (L) - 1 pc

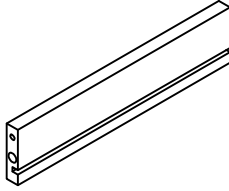
14



Top Drawer Side Panel (R) - 1 pc

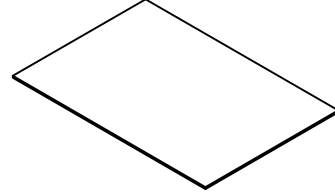
Part Lists N710P198681

15



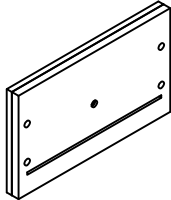
Top Drawer Rear Panel - 1 pc

16



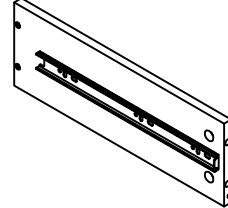
Side Panel - 3 pcs

17



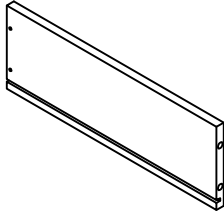
Mid and Bottom Drawer Face - 2 pcs

18



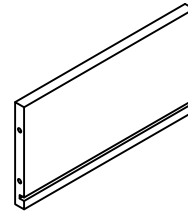
Mid and Bottom Drawer Side Panel (L) - 2 pcs

19

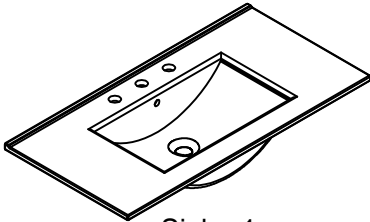


Mid and Bottom Drawer Side Panel (R) - 2 pcs

20

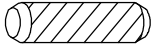
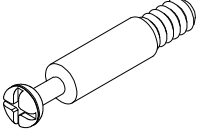

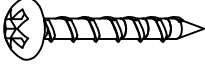
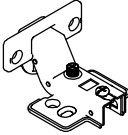

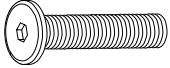
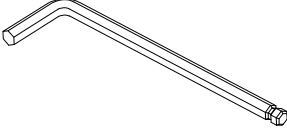
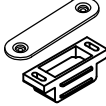

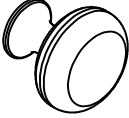



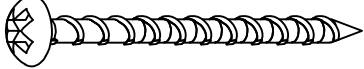
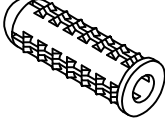


Mid and Bottom Drawer Rear Panel - 2 pcs

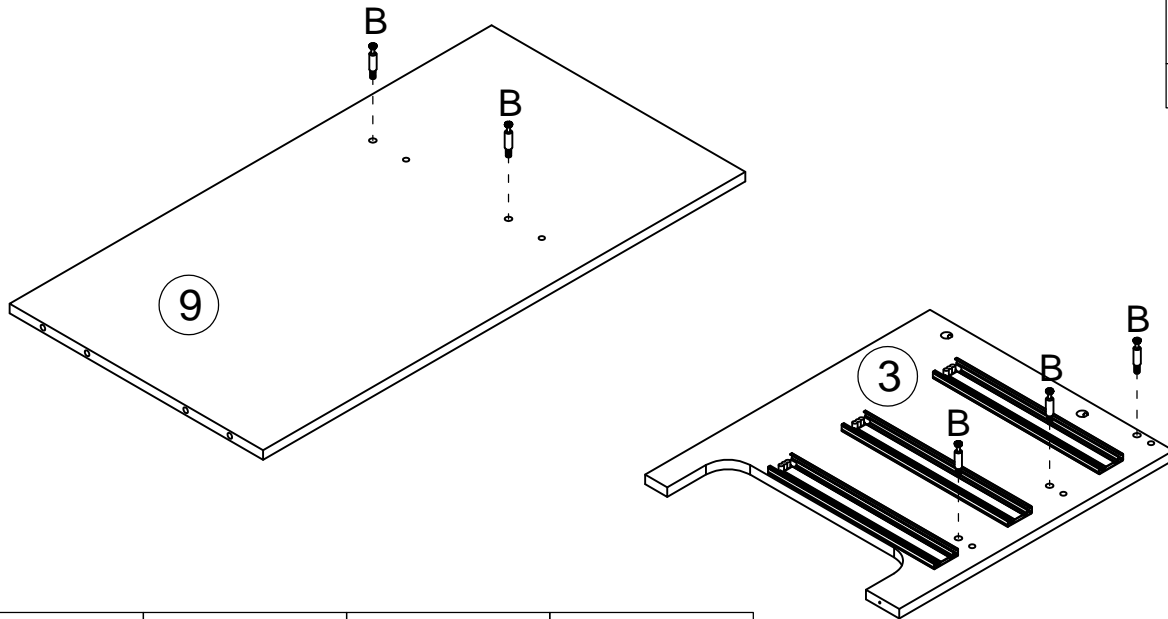


Sink - 1pc

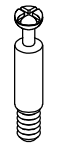
Hardware Lists N710P198681

<p>A</p>  <p>Ø8*20mm</p>	<p>B</p>  <p>Ø6*32mm</p>	<p>C</p>  <p>Ø14.5*9.5mm</p>
<p>Wood dowel (18pcs)</p>	<p>Three in one bolts (24pcs)</p>	<p>Three in one locks (24pcs)</p>
<p>D</p>  <p>Ø8xØ4*25mm</p>	<p>E</p> 	<p>F</p>  <p>Ø8xØ3.5*15mm</p>
<p>Round head screw (3pcs)</p>	<p>Hinge (4pcs)</p>	<p>Flat head screw (24pcs)</p>
<p>G</p>  <p>Ø13xØ1/4*30mm</p>	<p>H</p>  <p>K4mm</p>	<p>I</p>  <p>45*12*1mm 45*17*14mm</p>
<p>Hex-Head bolt (10pcs)</p>	<p>Allen key (1pc)</p>	<p>Plastic Door Magnet (2sets)</p>
<p>J</p>  <p>Ø6xØ3*15mm</p>	<p>K</p> 	<p>L1</p>  <p>Ø5/32*19mm</p>
<p>Flat head screw (8pcs)</p>	<p>Handle(5pcs)</p>	<p>Handle screw (2pcs)</p>
<p>L2</p>  <p>Ø5/32*12mm</p>	<p>M</p>  <p>Ø10x10mm</p>	<p>N</p>  <p>Ø8xØ4*50mm</p>
<p>Handle screw (3pcs)</p>	<p>Plastic Canopy (10pcs)</p>	<p>Round head screw (13pcs)</p>
<p>O</p>  <p>Plastic Stopper (3pcs)</p>		

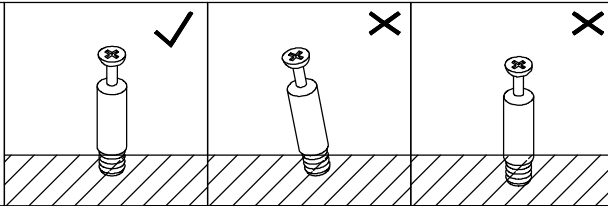
Step 1



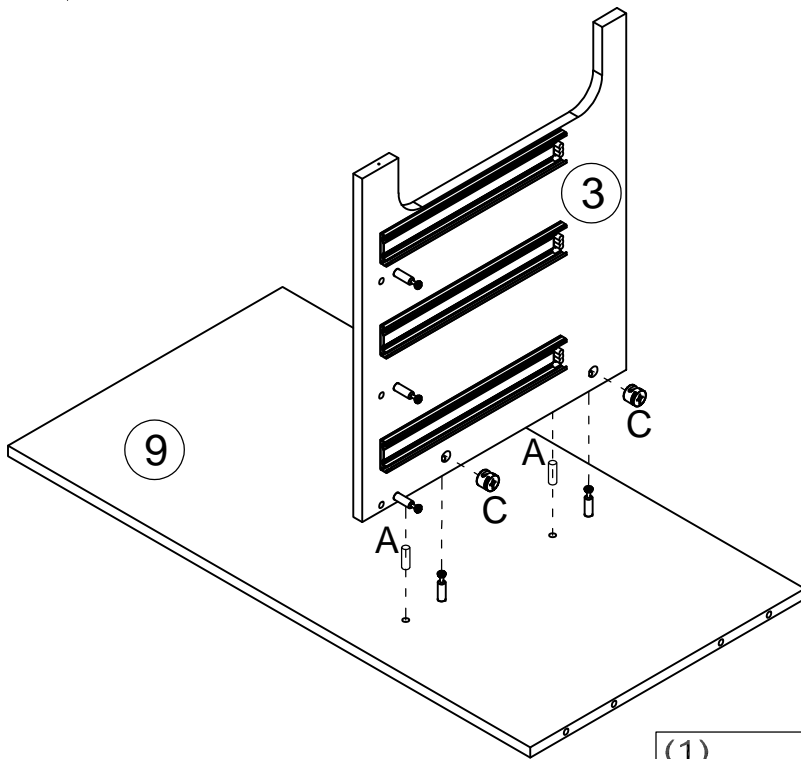
B



5PCS



Step 2

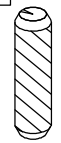


C

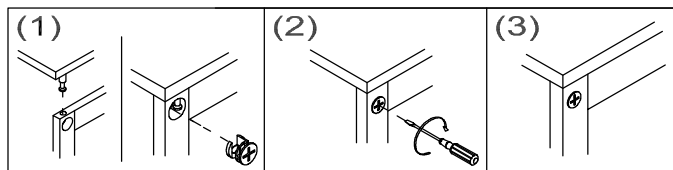


2PCS

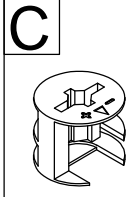
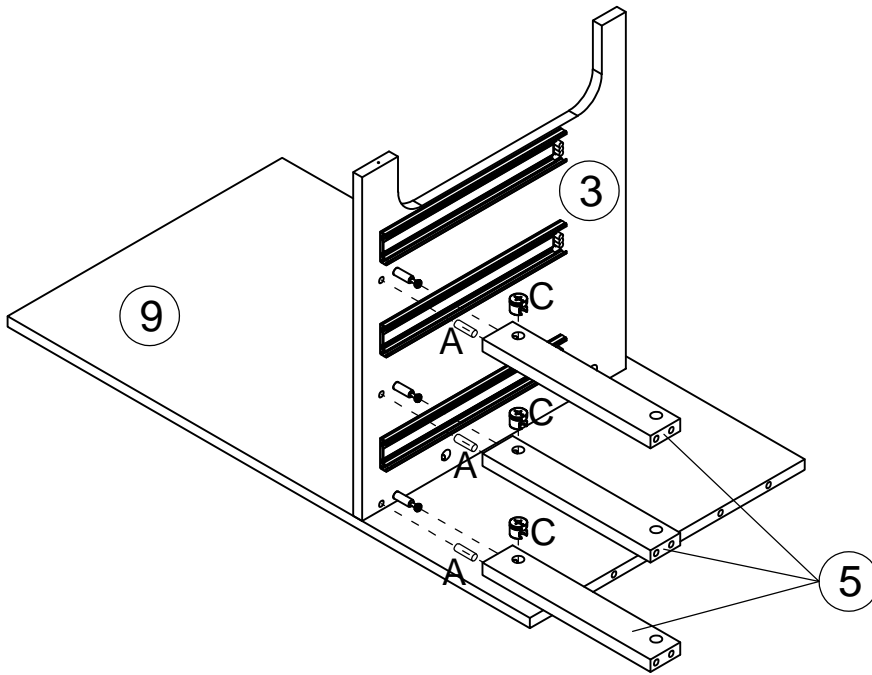
A



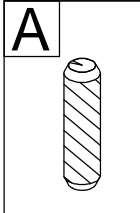
2PCS



Step 3

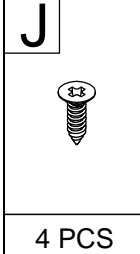
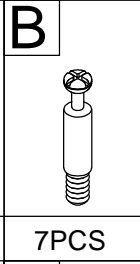
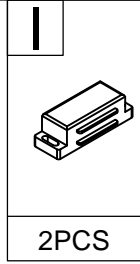
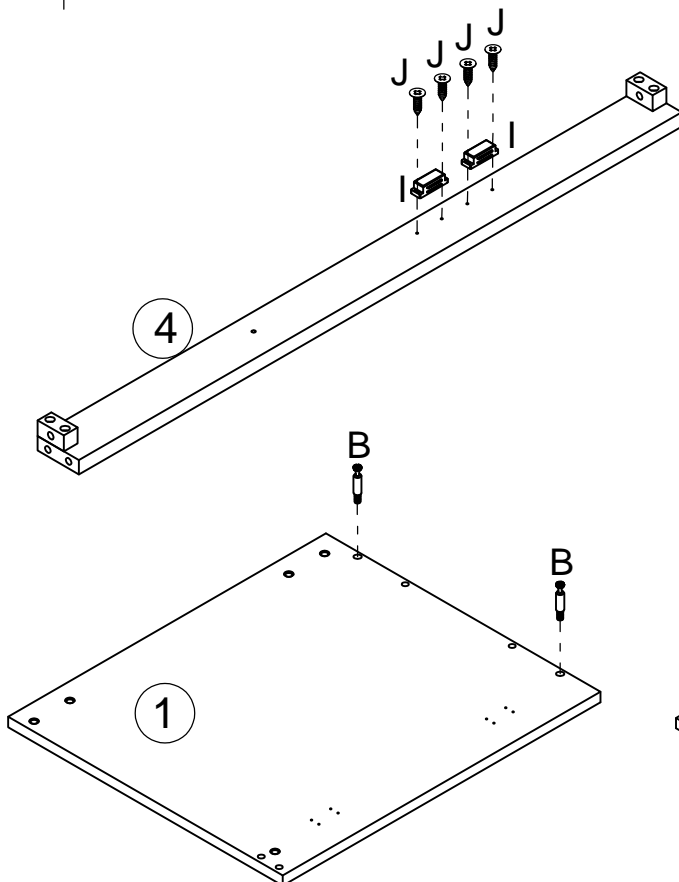


3PCS

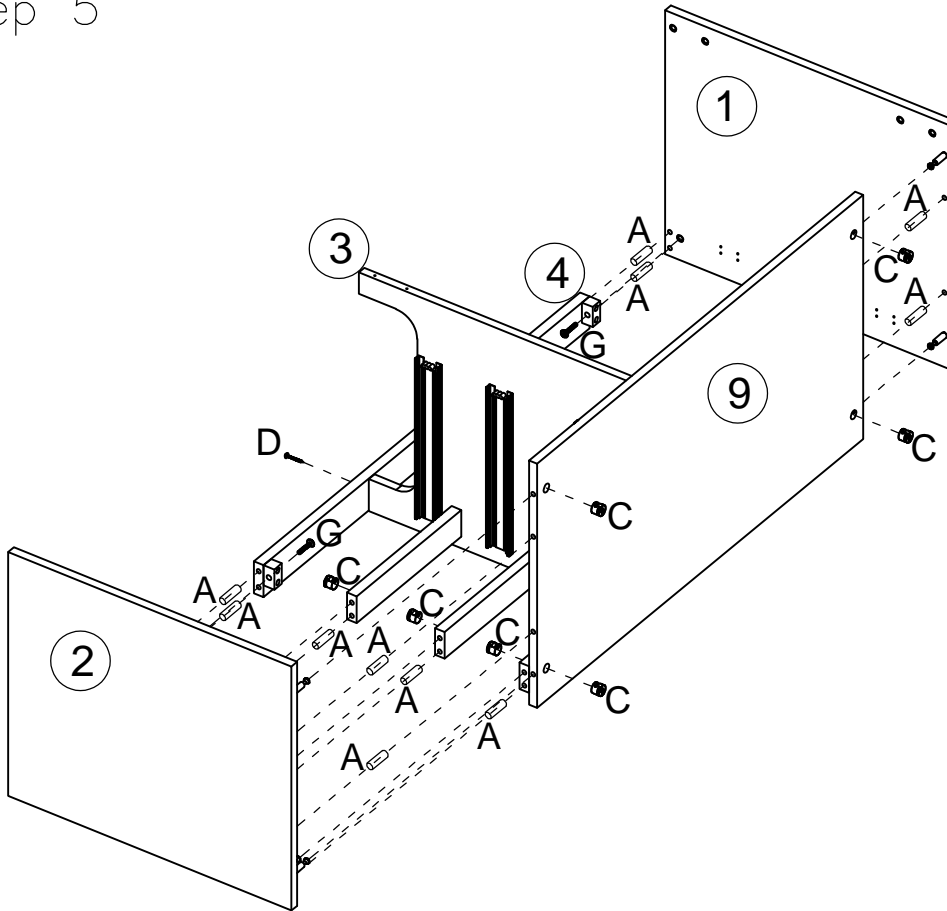


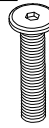



3PCS

Step 4

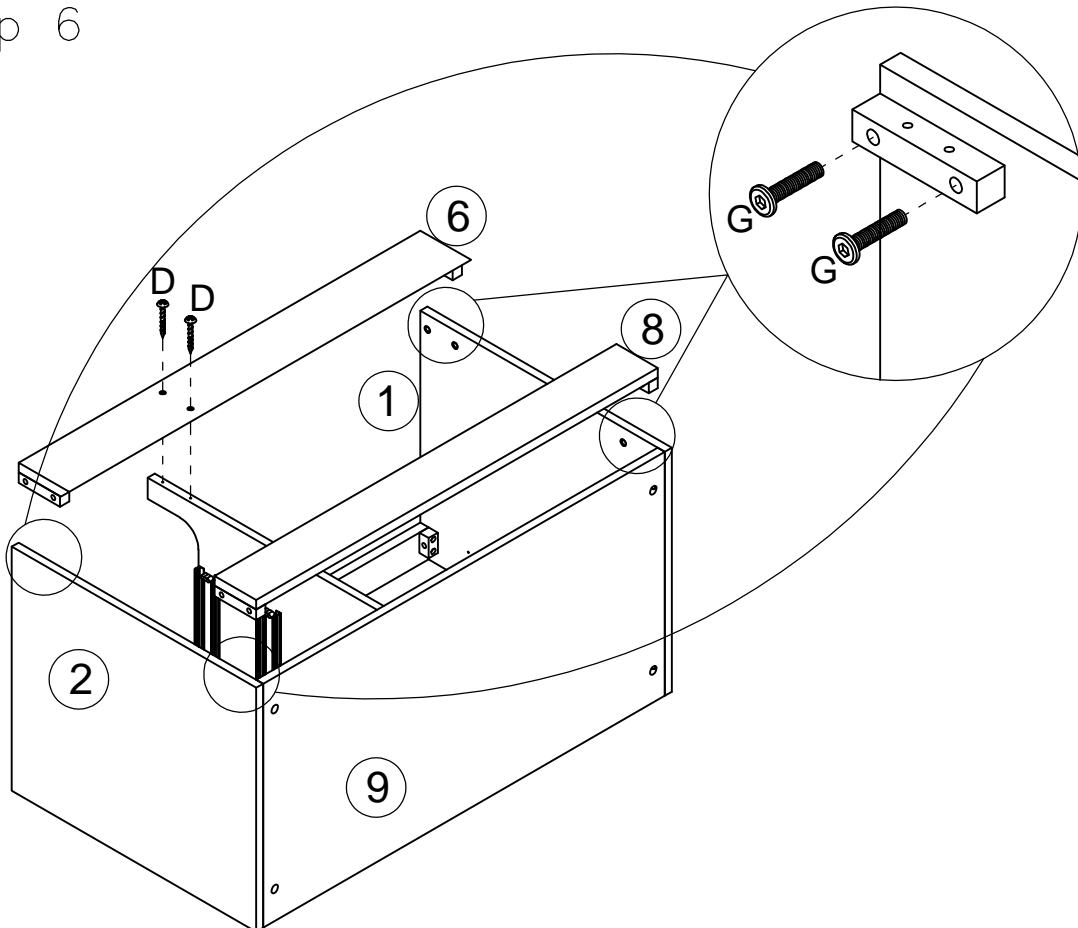


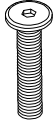

Step 5



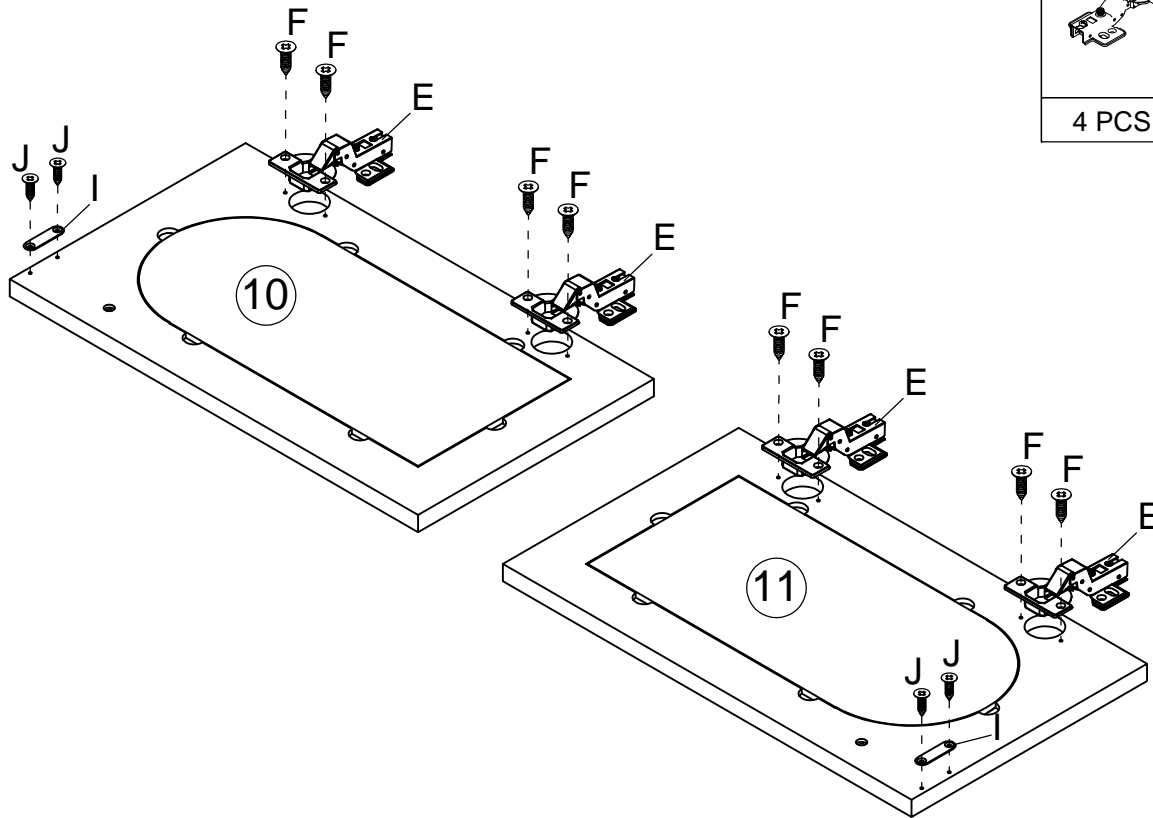
G 	C 
2PCS	7PCS
A 	
11PCS	
D 	
1PC	

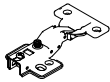



Step 6



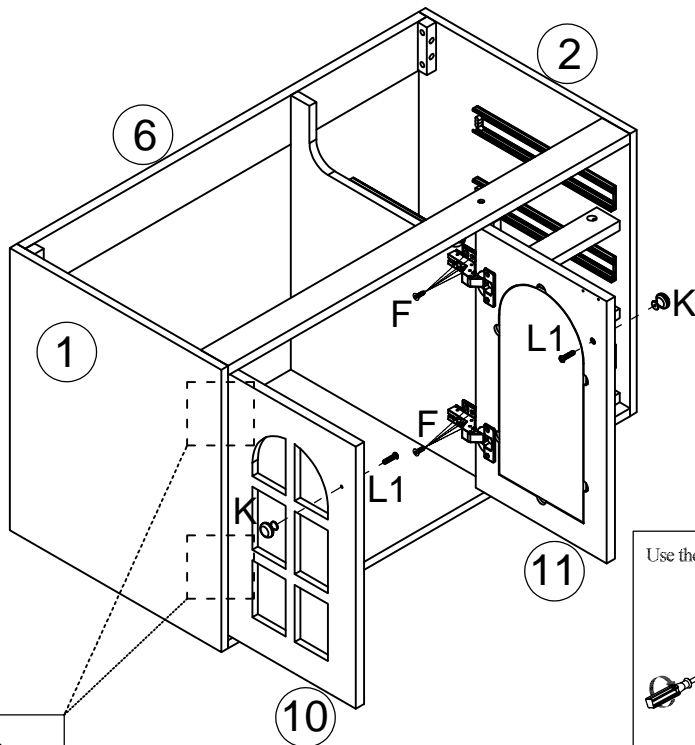
G 
8PCS
D 
2PCS


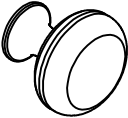

Step 7

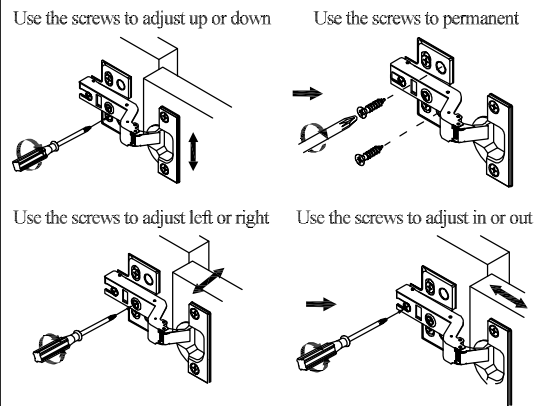
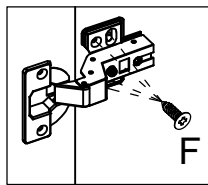


E	F
	
4 PCS	8 PCS
	I
	
	2 PCS
	J
	
	4 PCS

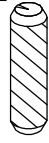
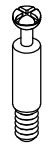
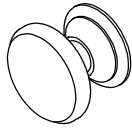


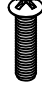

Step 8

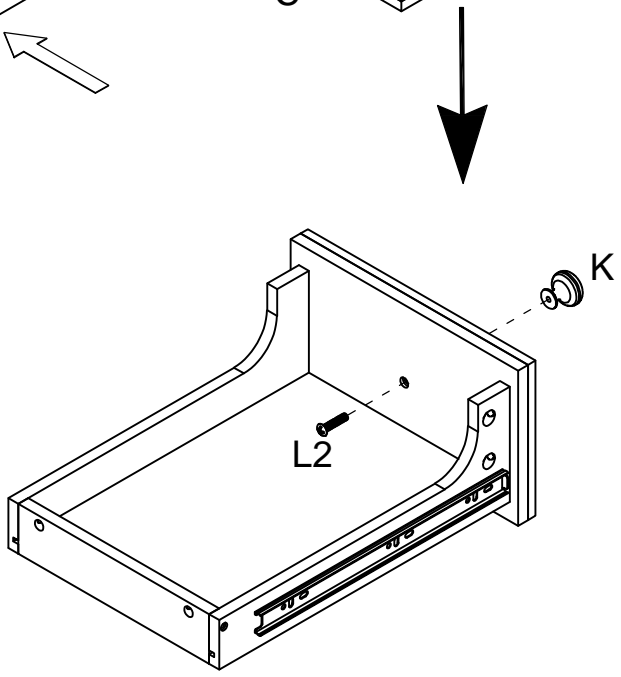
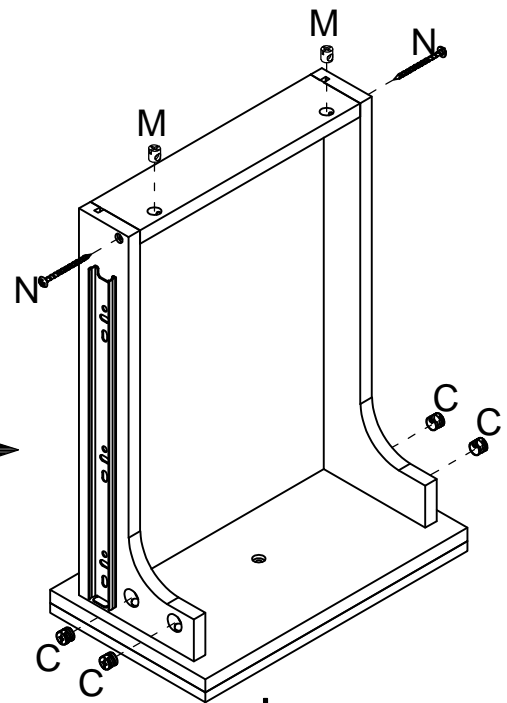
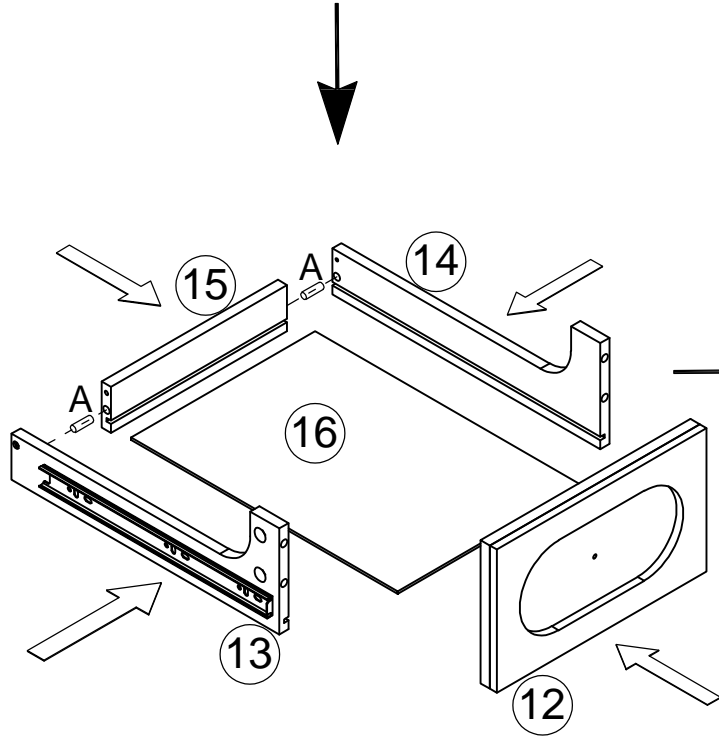
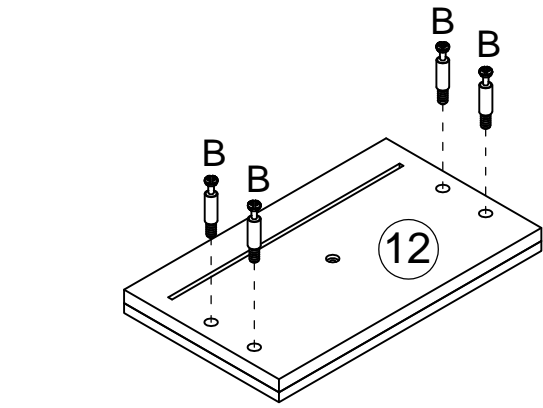


F	K
	
16 PCS	2PCS
	L1
	
	2PCS

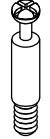
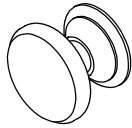


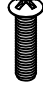



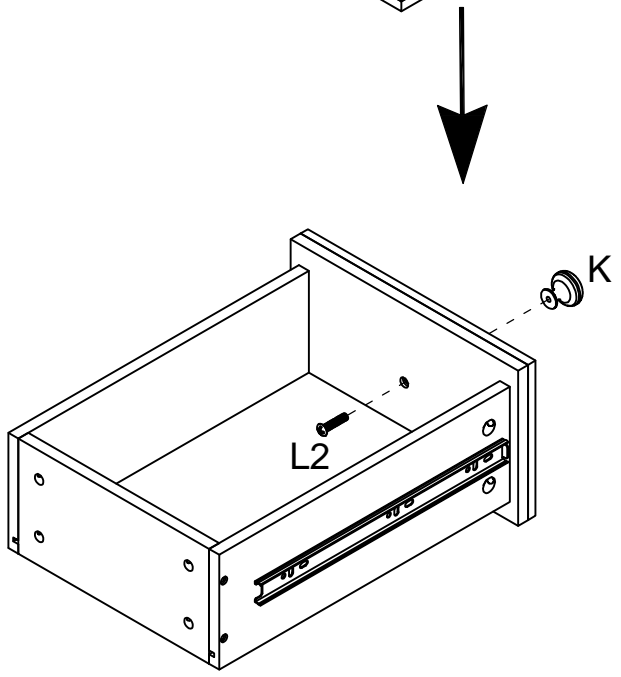
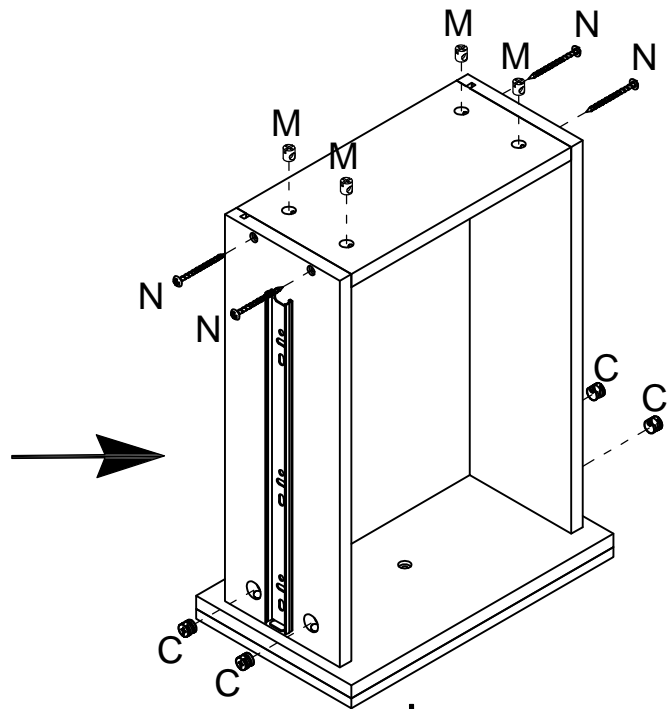
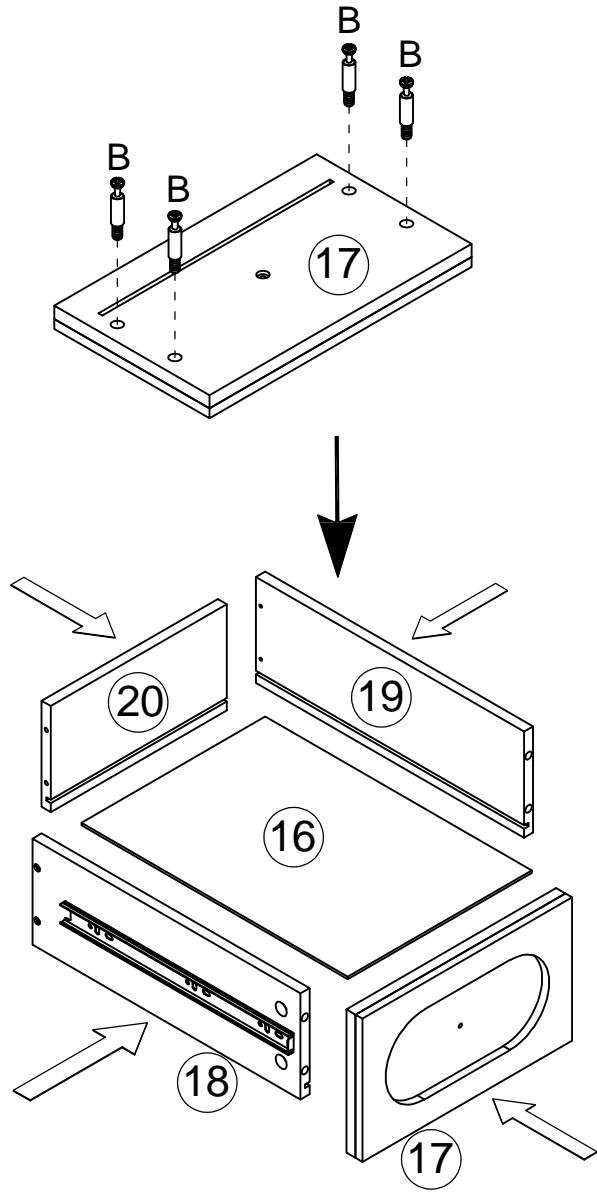
Step 9

A 	B 	K 	M 
2PCS	4PCS	1PC	2PCS
C 	L2 	N 	
4PCS	1PC	2PCS	



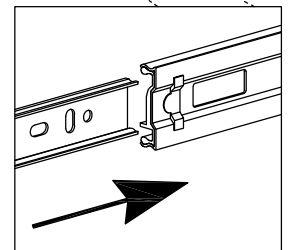
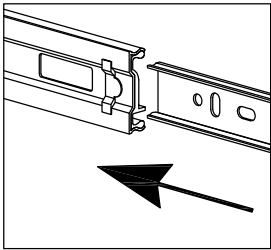
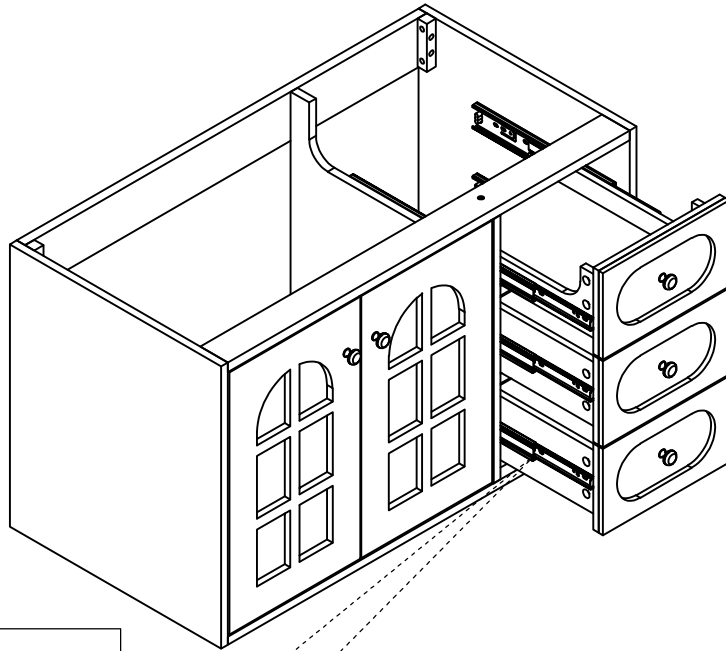
Step 10

B	K	M
		
8PCS	2PCS	8PCS
C	L2	N
		
8PCS	2PCS	8PCS



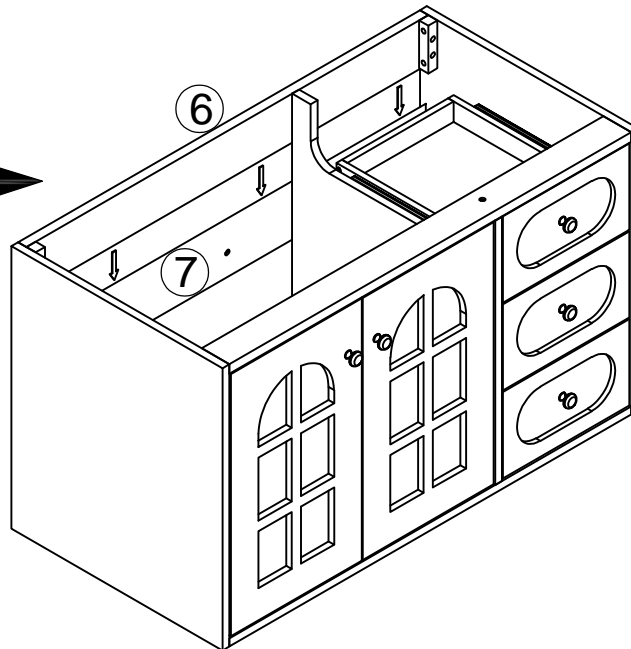
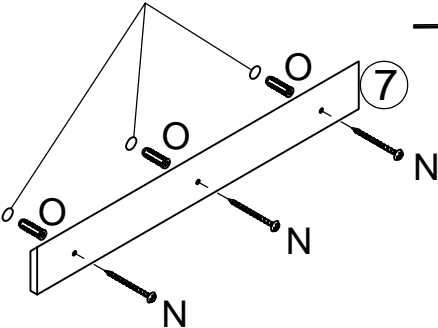
X 2



Step 11



Step 12

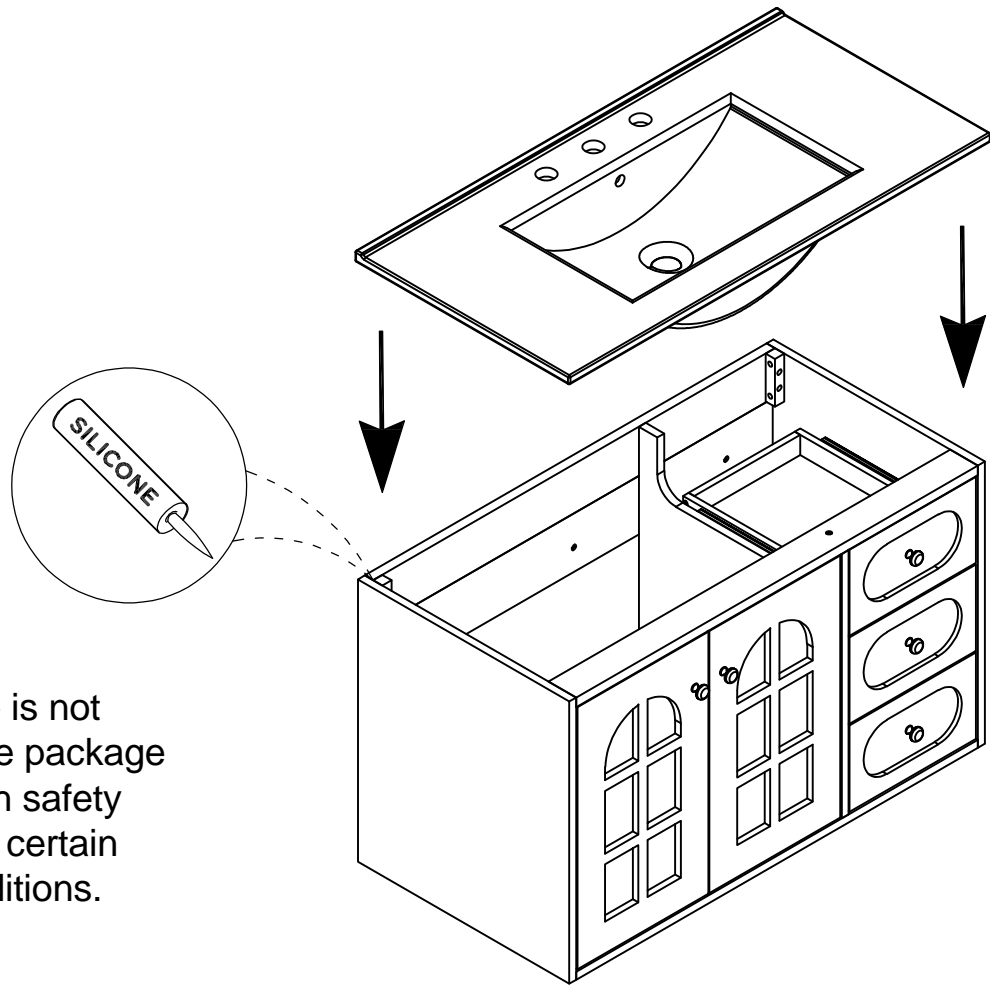
Drills Holes in the Wall



- N  3PCS
- O  3PCS

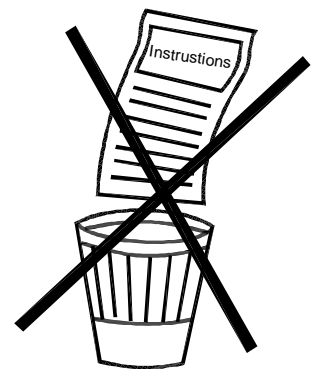
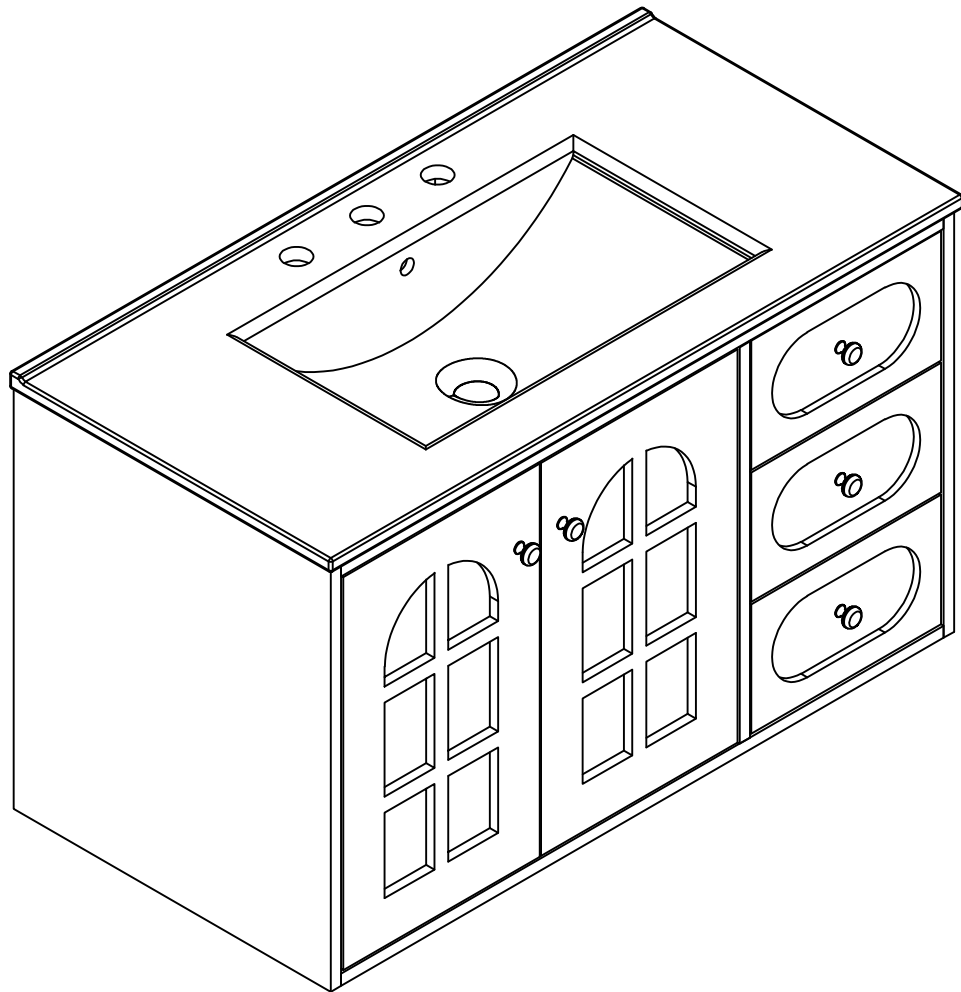
Step 13

Install the sink on the cabinet with glue.
Let stand for 24 hours

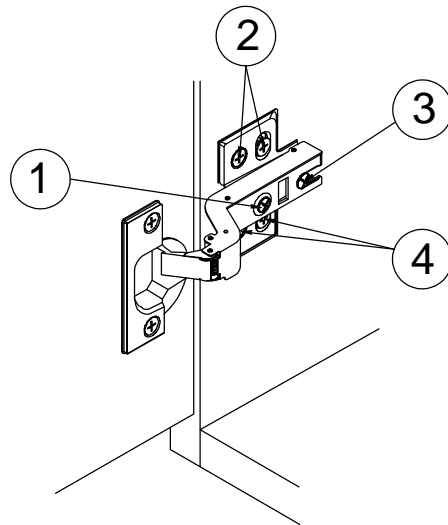


*Silicone glue is not included in the package to comply with safety regulations in certain shipping conditions.

Step 14



HINGE ADJUSTMENTS

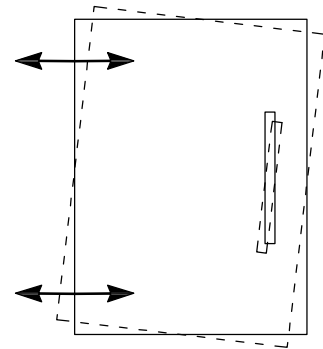


① Sideways / Tilt adjustment

Turn the screw

clockwise to move the door further away from the side of the cabinet

anticlockwise to move the door closer to the side of the cabinet

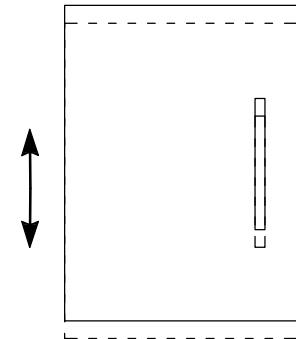


② ④ Height adjustment

While supporting the weight of the door, turn the screws

clockwise to move the door up

anticlockwise to move the door down



③ Forward and back adjustment

If the gap between the back of the door and the cabinet is too small, and the door may not close fully. Turn the screw

clockwise to decrease the gap between the door and the cabinet

anticlockwise to increase the gap between the door and the cabinet

