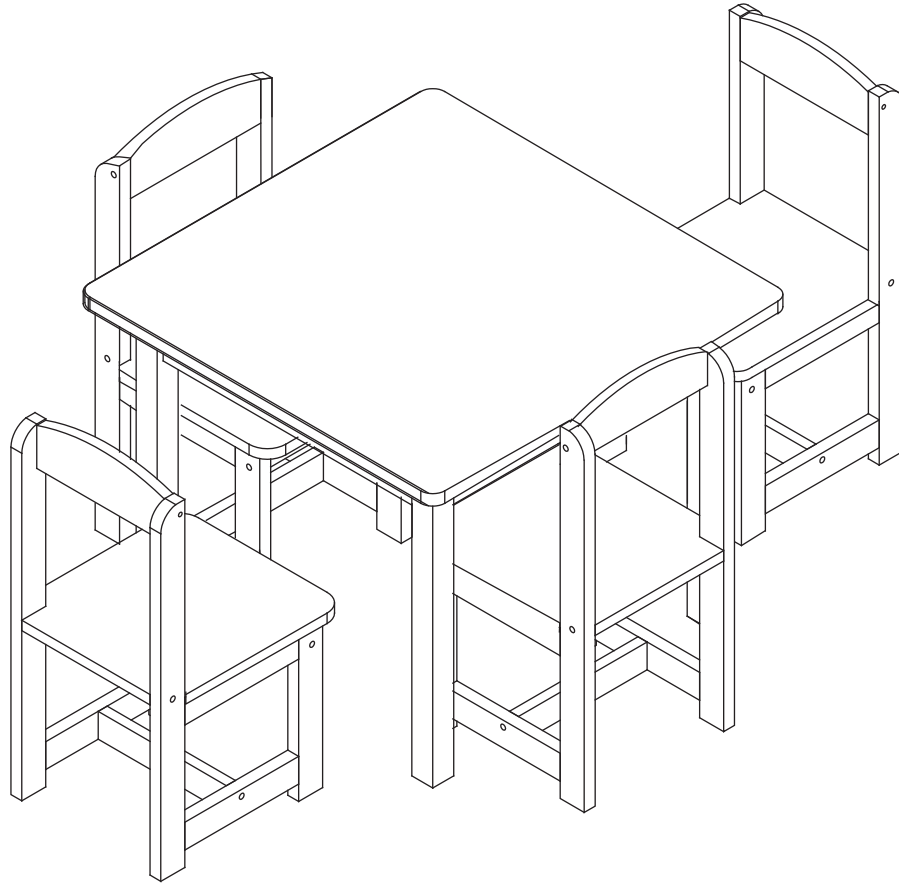


Assembly Instructions

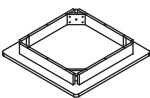
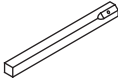
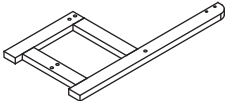
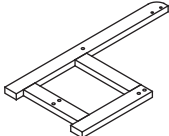
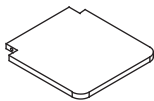
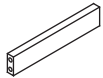
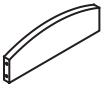



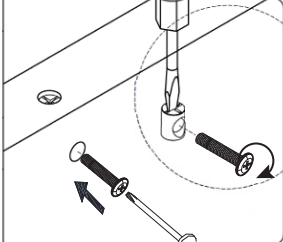
5pc Kids Table & Chair



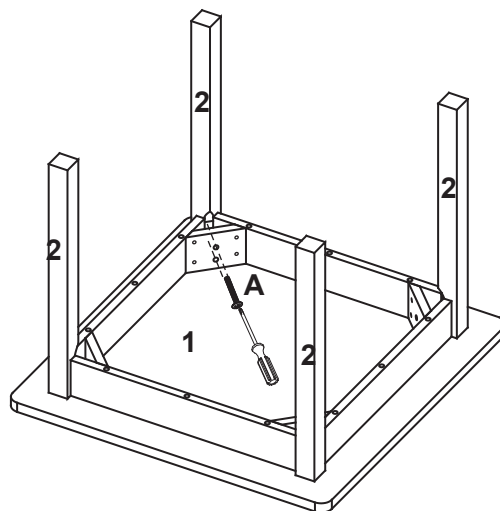
Thank you for purchasing our product!

Please assemble the products with the guidance of this manual instruction. Contact our friendly customer service department with any comments or in case there is any missing or damaged parts or hardware. Replacements for missing or damaged parts or hardware are normally shipped within 2 to 3 days.

ASSEMBLY INSTRUCTIONS

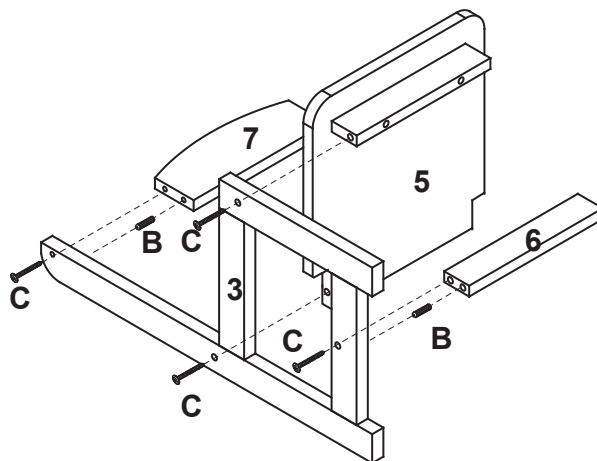
1x1  Table Top Panel	2x4  Table Leg	3x4  Chair Left Side Panel	4x4  Chair Right Side Panel	5x4  Chair Seat Panel	6x4  Chair Bottom Rail
7x4  Chair Back Rail	Ax8  M6X40MM Long Bolt	Bx16  M6X30MM Wood Dowel	Cx32  M5X40MM Screw	Instructions For Installing Barrel Nut  <p style="font-size: small;">Use a Flat-head Screwdriver to hold Barrel Nut in position before inserting bolt to thread into the Barrel Nut.</p>	

①



On a soft, clean surface, turn the Table Top Panel(1),attache Table Leg(2) to Table Top Panel(1) by using Long Bolt(A) as shown.

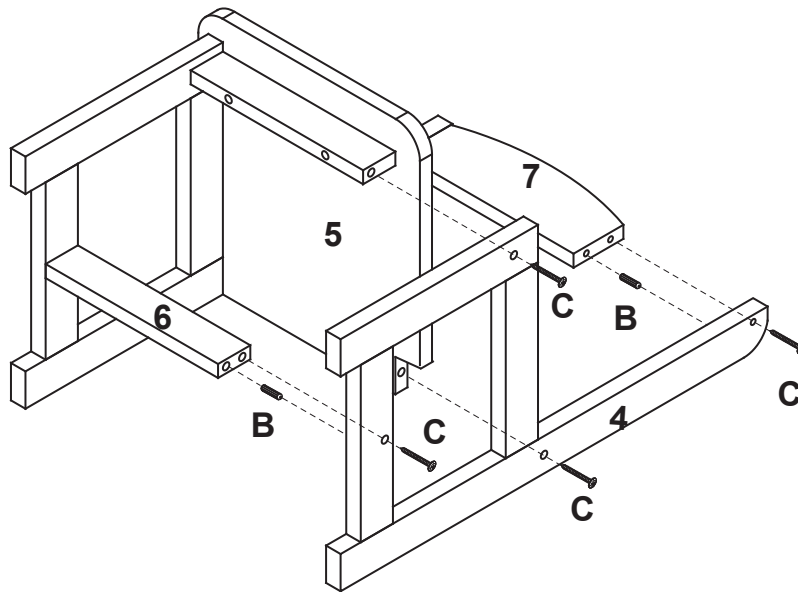
②



Assembly Chair Left Side Panel (3) to Chair Seat Panel (5) , Chair Bottom Rail (6) , Chair Back Rail (7) by using Screw (C) and Wood Dowel(B) as shown.

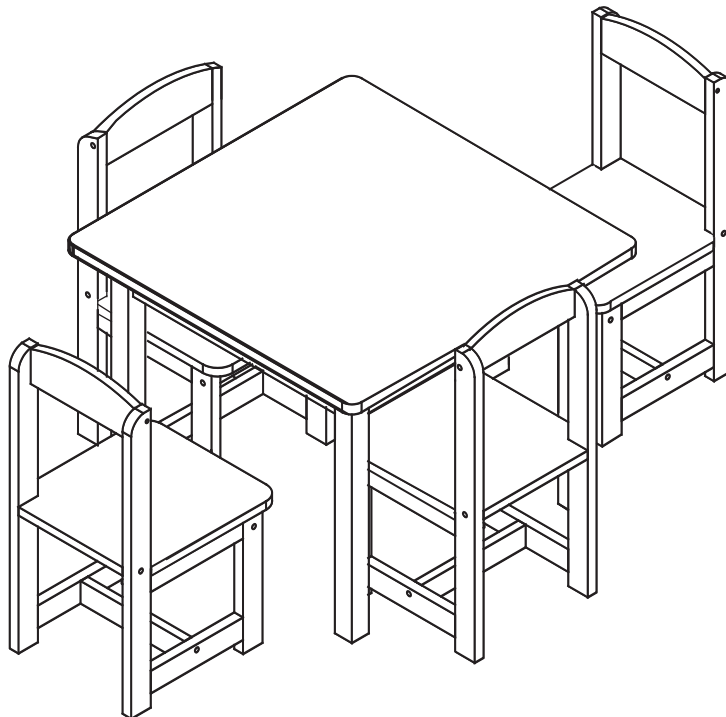
ASSEMBLY INSTRUCTIONS

③



Assembly Chair Right Side Panel (4) to Chair Seat Panel (5) , Chair Bottom Rail (6) , Chair Back Rail (7) by using Screw (C) and Wood Dowel(B) as shown.

④



WARNING:

DO NOT STAND ON THE CHAIR, DO NOT USE THIS CHAIR AS A STEP LADDER.

USE THIS PRODUCT ONLY FOR SEATING ONE PERSON AT A TIME.

DO NOT USE THIS CHAIR UNLESS ALL BOLTS, SCREWS AND KNOBS ARE FIRMLY SECURED.

AT LEAST EVERY 4 MONTHS, CHECK ALL BOLTS, SCREWS AND KNOBS TO BE SURE THEY ARE TIGHT.

IF PARTS ARE MISSING, BROKE, DAMAGED OR WORN, STOP USING THIS PRODUCT UNTIL YOU HAVE REPAIRED IT FULLY. FAILURE TO FOLLOW THESE WARNINGS COULD RESULT IN SERIOUS INJURY.

PLEASE DO NOT USE KNIFE TO OPEN ANY PARTS OF THE BOX OR CHAIR.