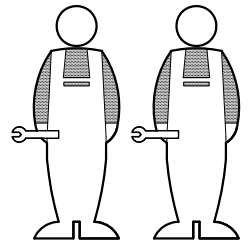
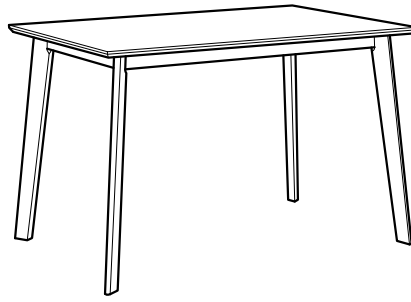


ASSEMBLY  
INSTRUCTIONS

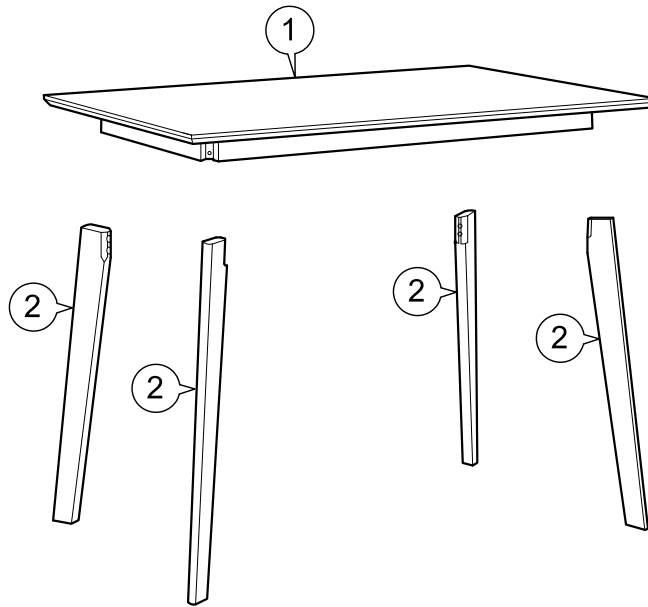
Dining Table



Not Provided

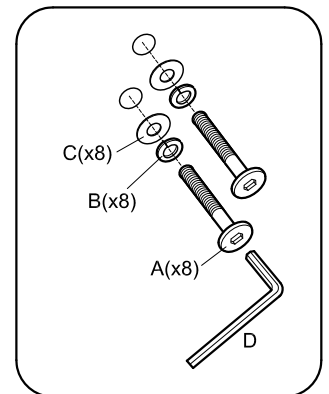
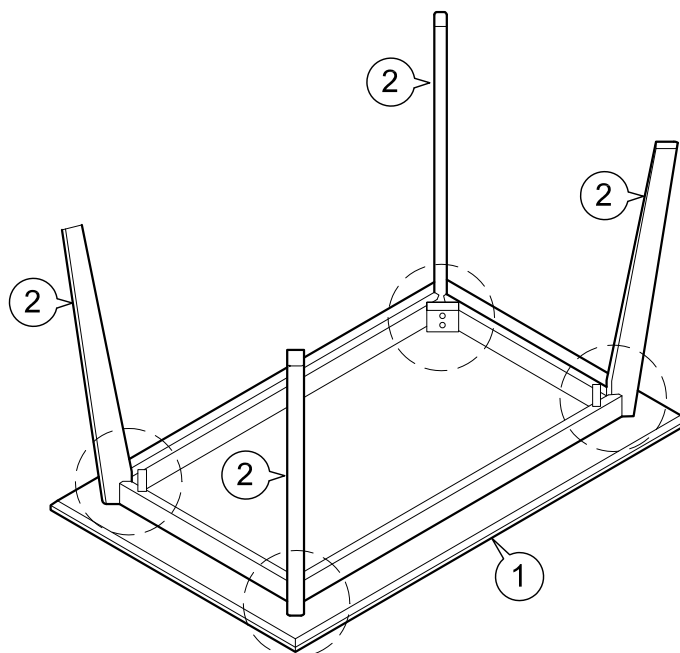
2 Persons

Part List



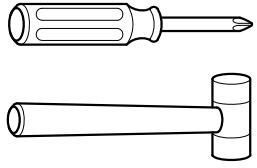
Hardware List

A	M6 x 70mm = 8	B	1/4" = 8	C	1/4" = 8	D	= 1
---	---------------	---	----------	---	----------	---	-----

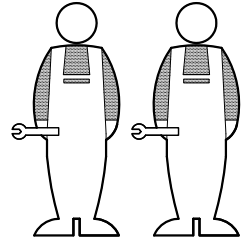
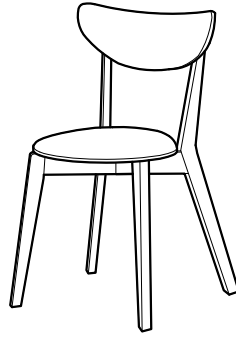


# ASSEMBLY INSTRUCTIONS

## Dining Chair

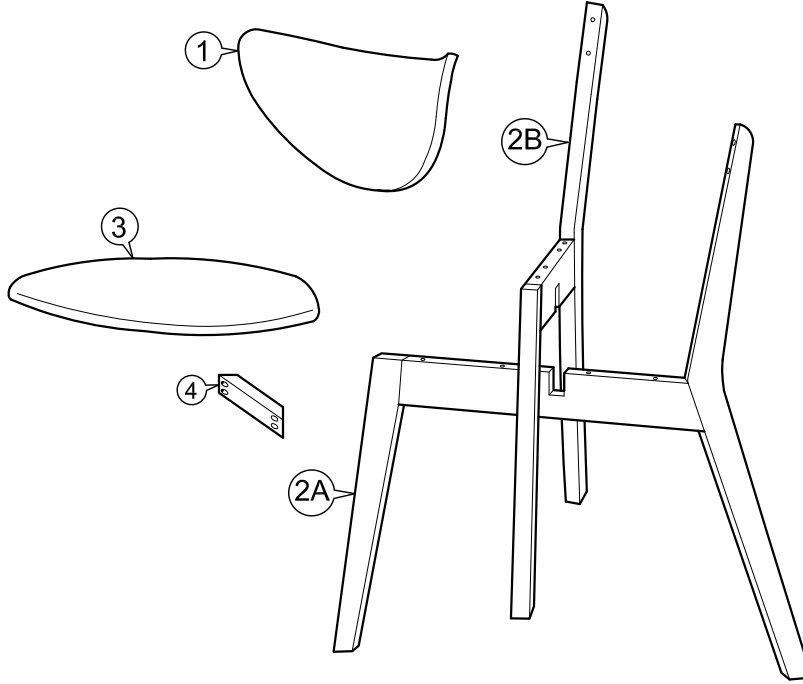


Not Provided



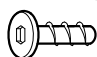
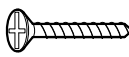

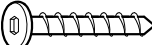
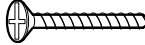
2 Persons

### Part List :

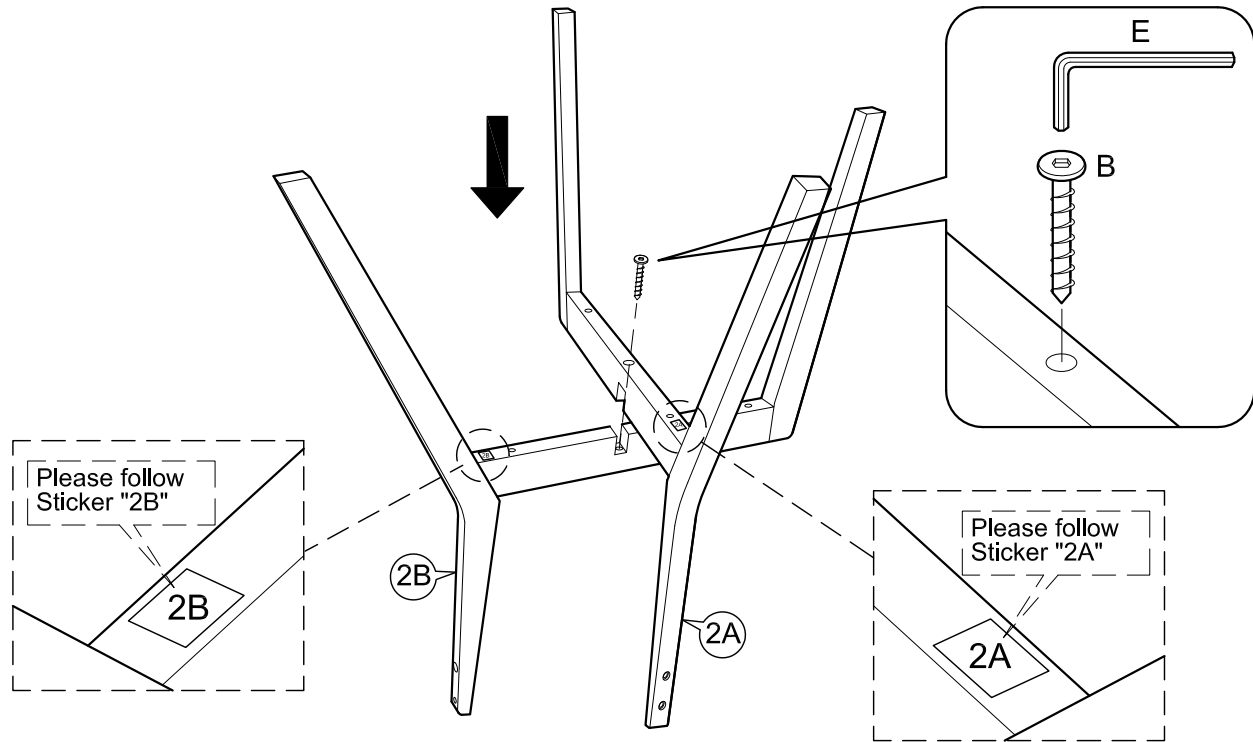


(x4)

### Hardware List

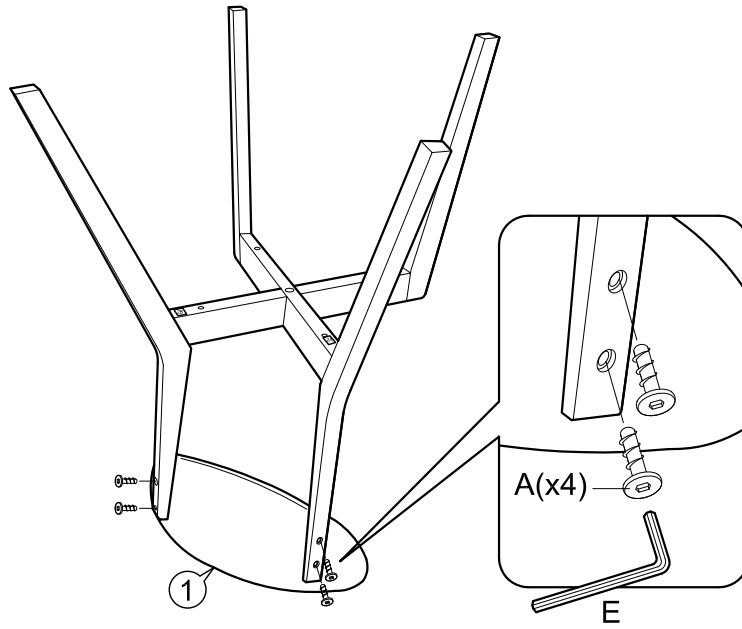
<p>A M7 x 25mm = 16</p> 	<p>C M4 x 32mm = 16</p> 	<p>E = 1</p> 
<p>B M7 x 40mm = 4</p> 	<p>D M4 x 38mm = 16</p> 	

1



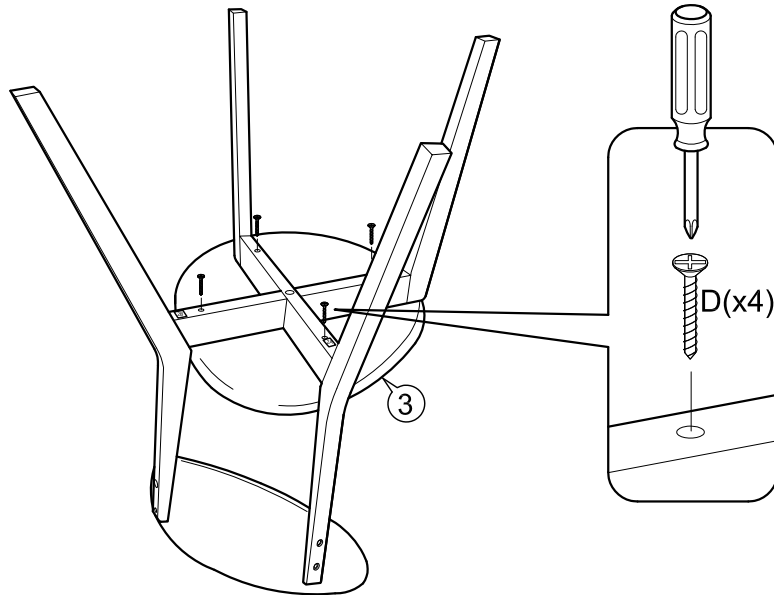
(x4)

2



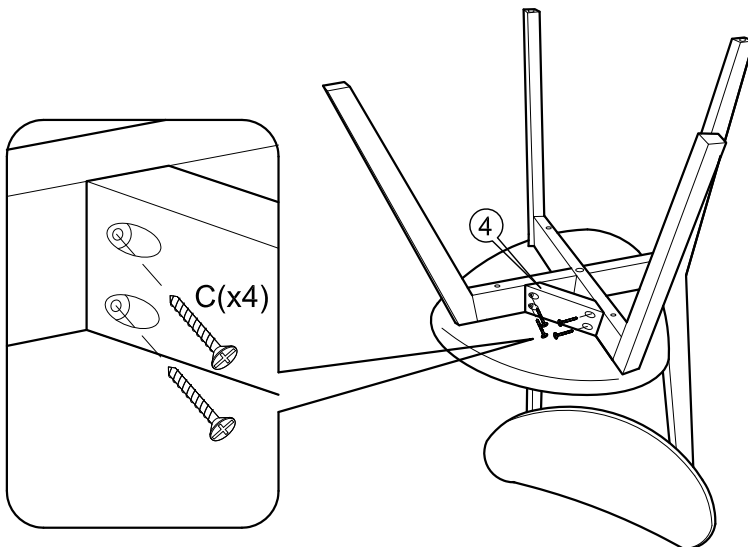
(x4)

3



(x4)

4



(x4)