

artos[®]

TS071

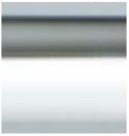
TECHNICAL SPECIFICATIONS

trova thermostatic
shower set with handheld

BRUSHED NICKEL(BN)



CHROME(CH)



BLACK(BK)



artos[®]

TS071

OPERATING SPECIFICATIONS

trova thermostatic
shower set with handheld



FEATURES

Solid Brass
2-Outlets

INCLUDES

Trim
Shower Head
Hand shower

OPERATING PRESSURE

Minimum: 15 psi
Maximum: 125 psi
Above 90psi it may be necessary to install a pressure reducer

OPERATING TEMPERATURE

Maximum: 176°

FLOW CAPACITY

Shower Head: 1.8 USGPM
Hand Shower: 1.8USPGM

STANDARDS

ASSE 1016-2011 | ASME_A112.1016-2011 | CSA B125:16-11

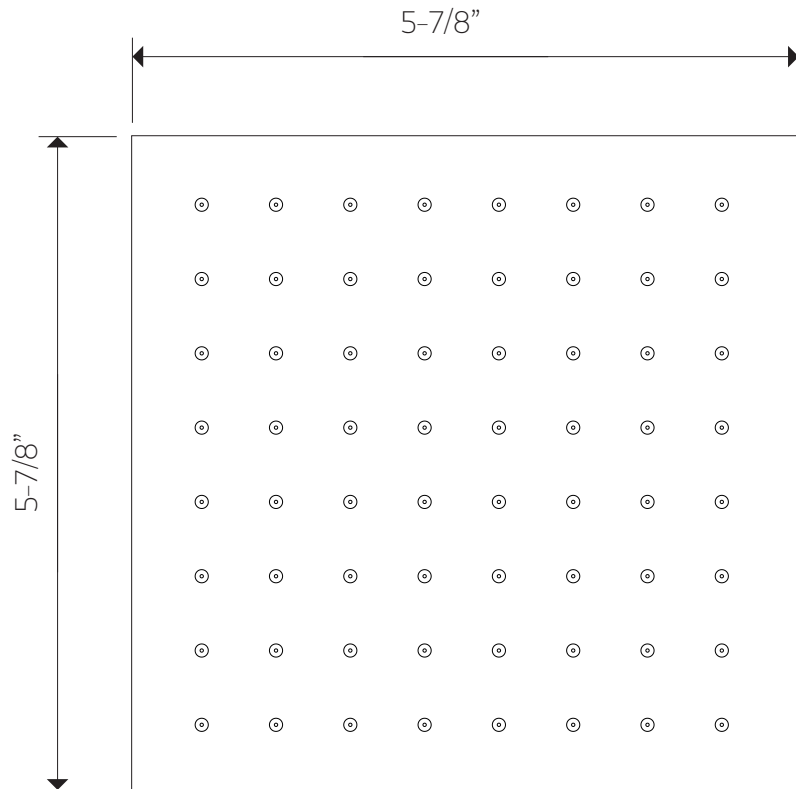
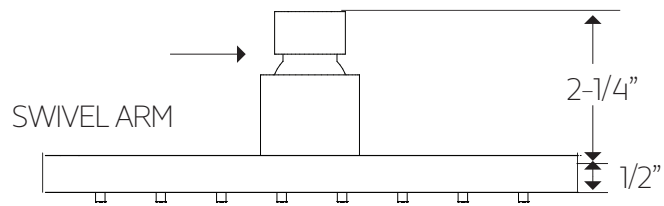
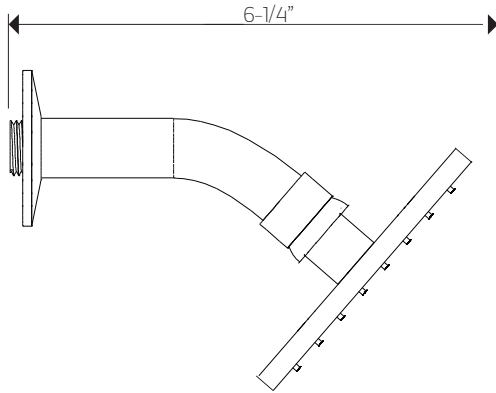


artos[®]

TS071

PRODUCT DIMENSIONS

trova thermostatic
shower set with handheld

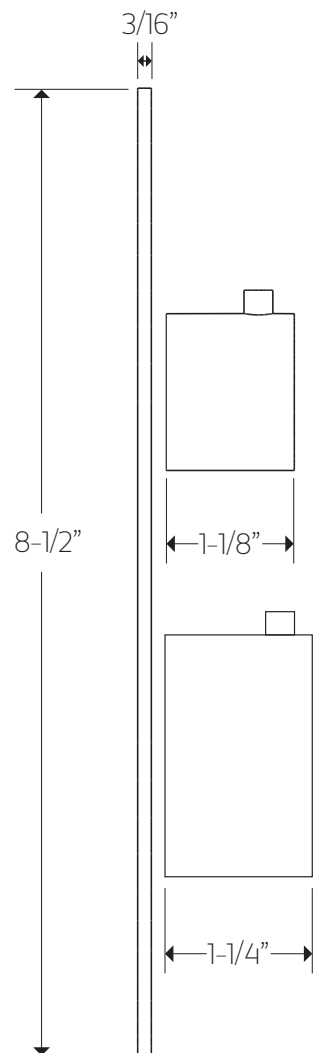
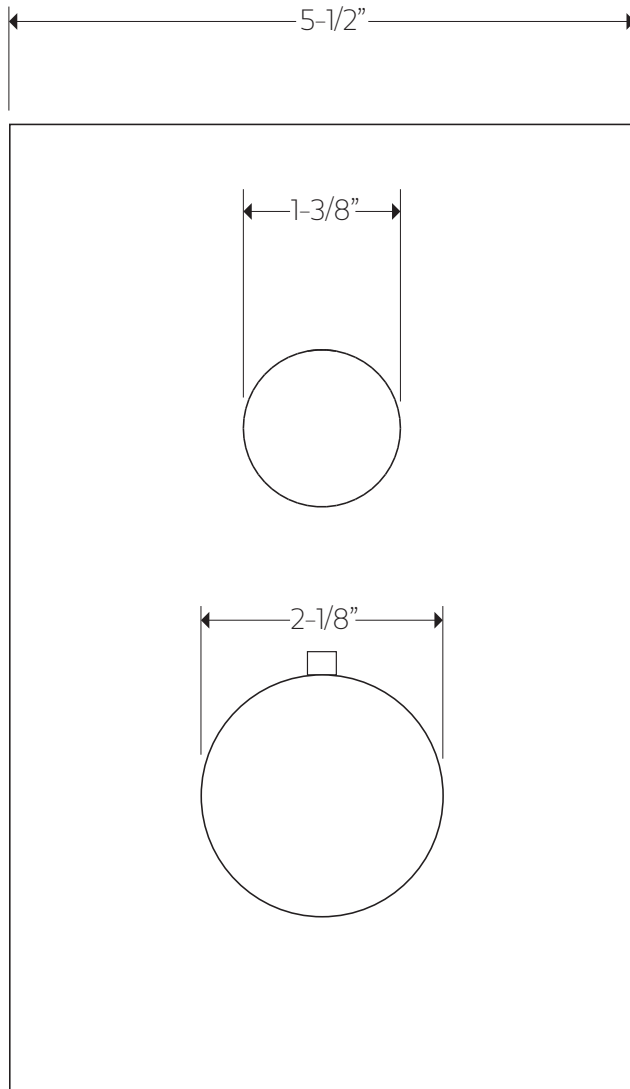


artos[®]

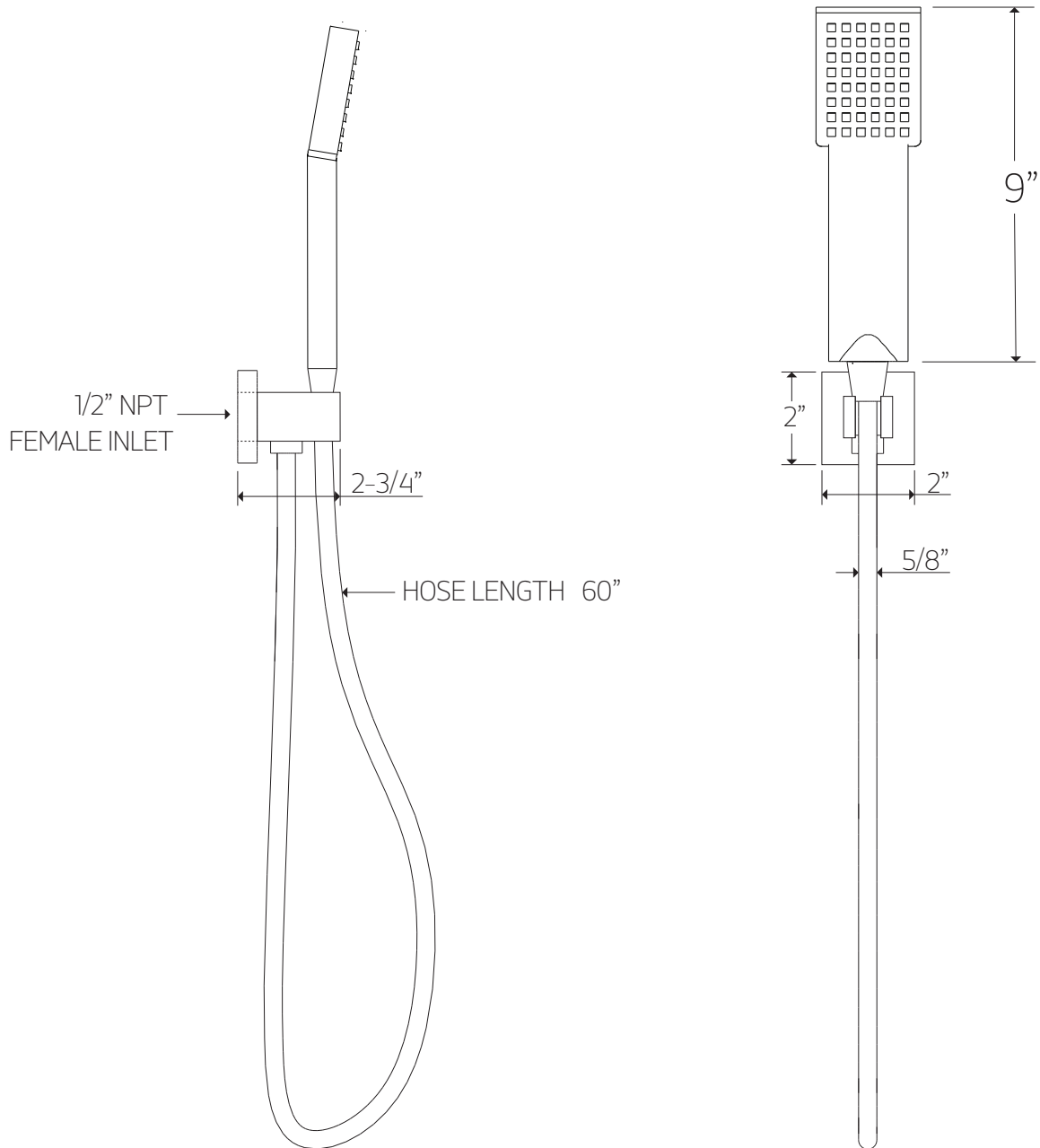
TS071

PRODUCT SPECIFICATIONS

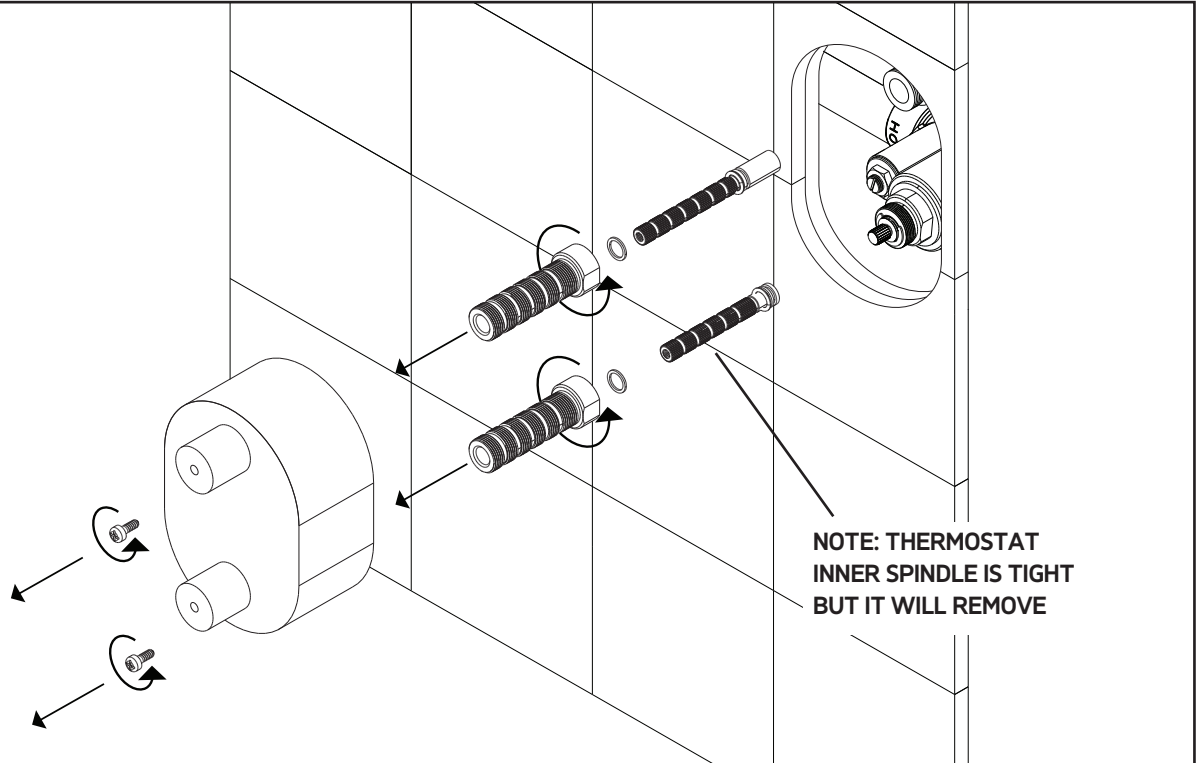
trova thermostatic
shower set with handheld



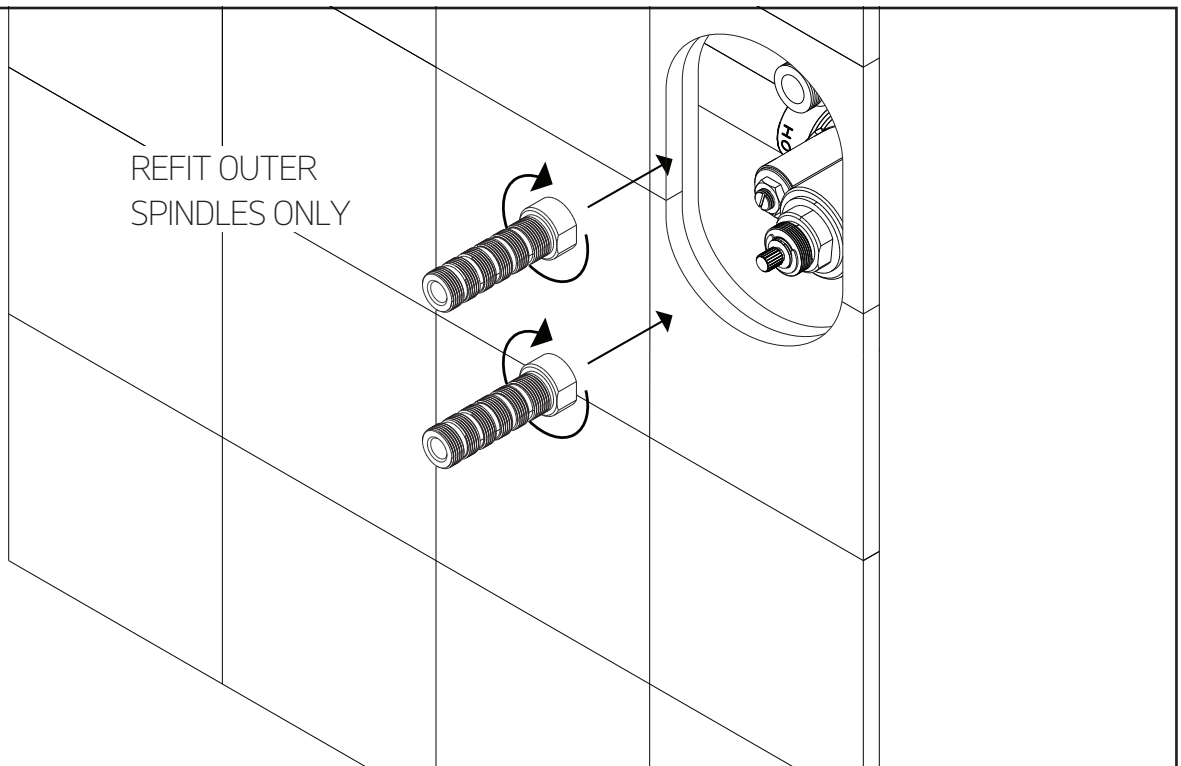
trova thermostatic
shower set with handheld



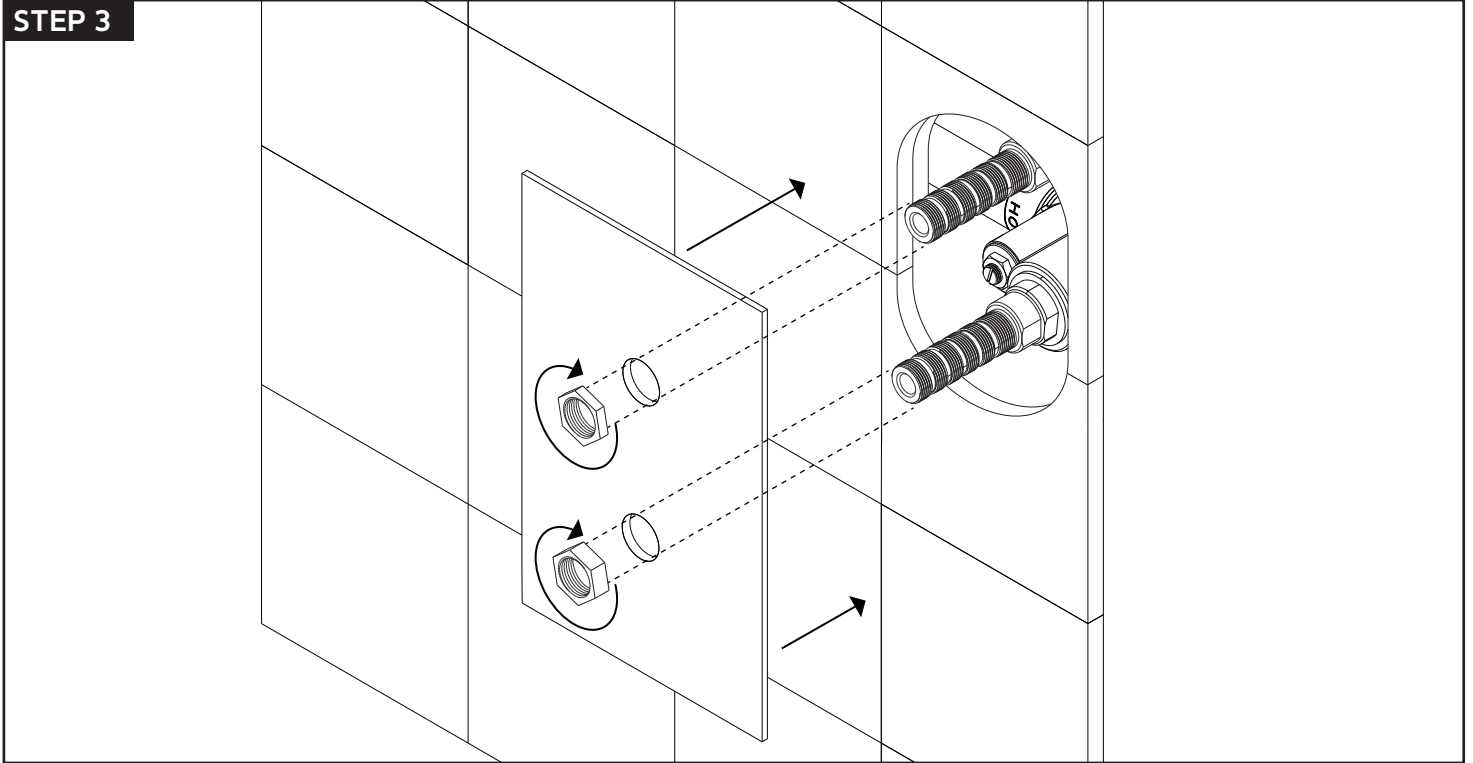
STEP 1



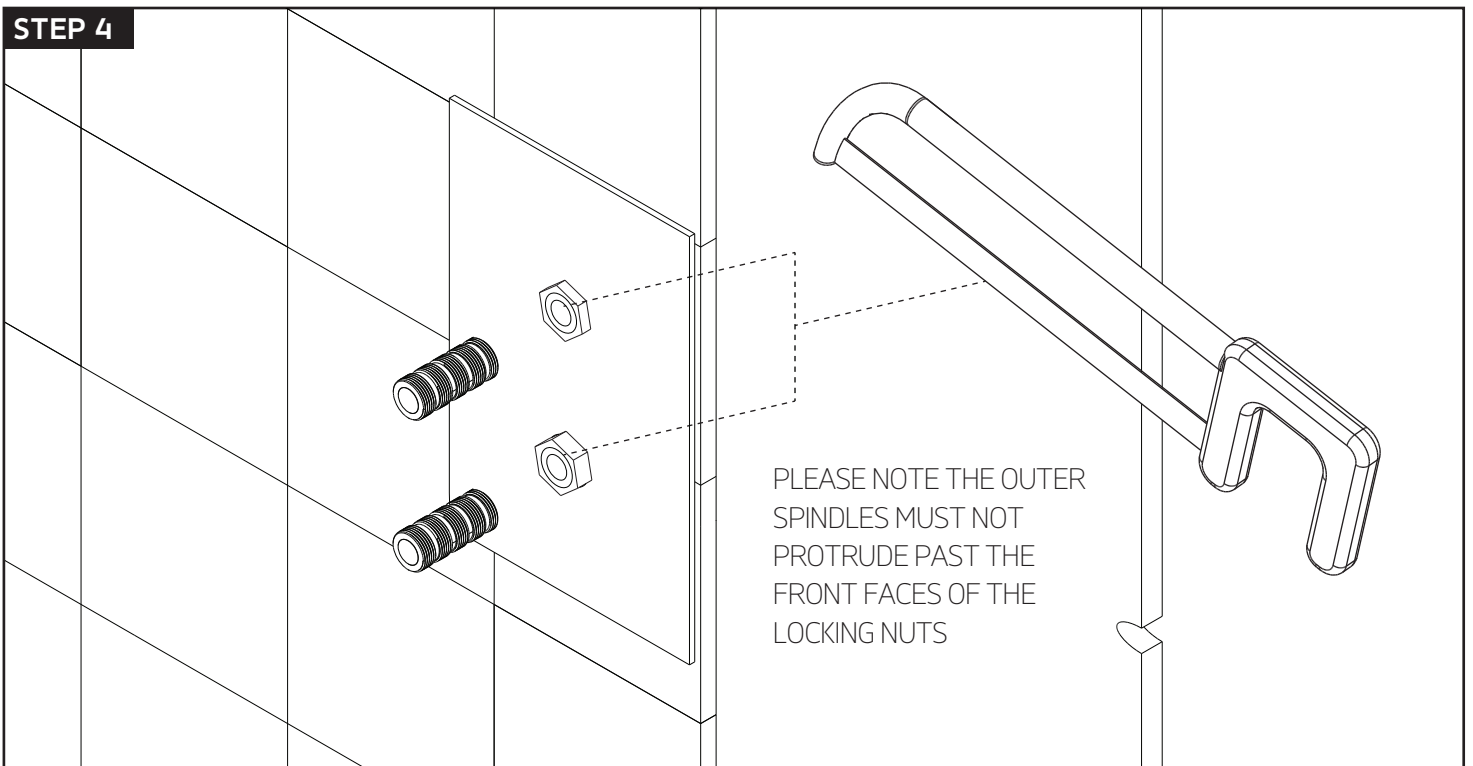
STEP 2



STEP 3



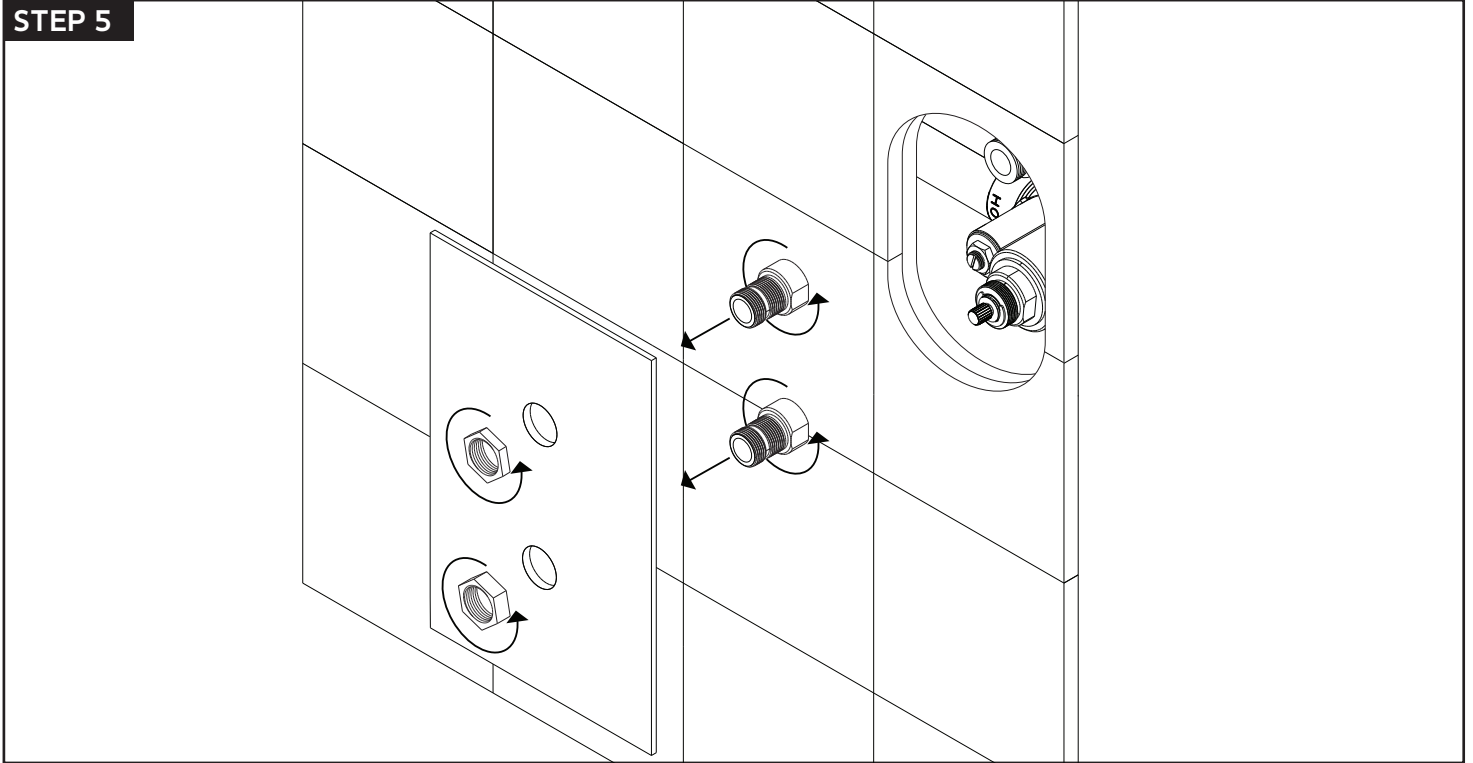
STEP 4



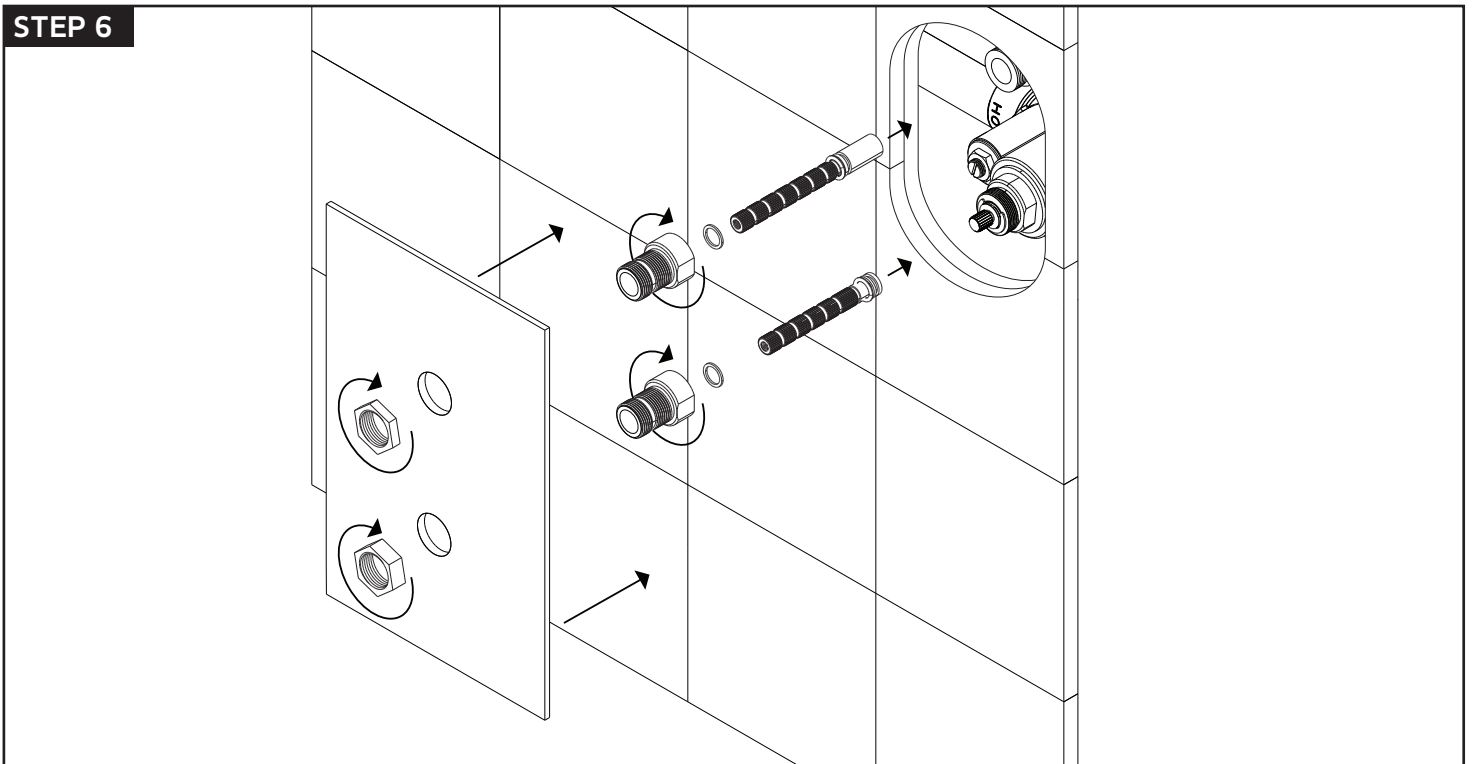
INSTALLATION STEPS

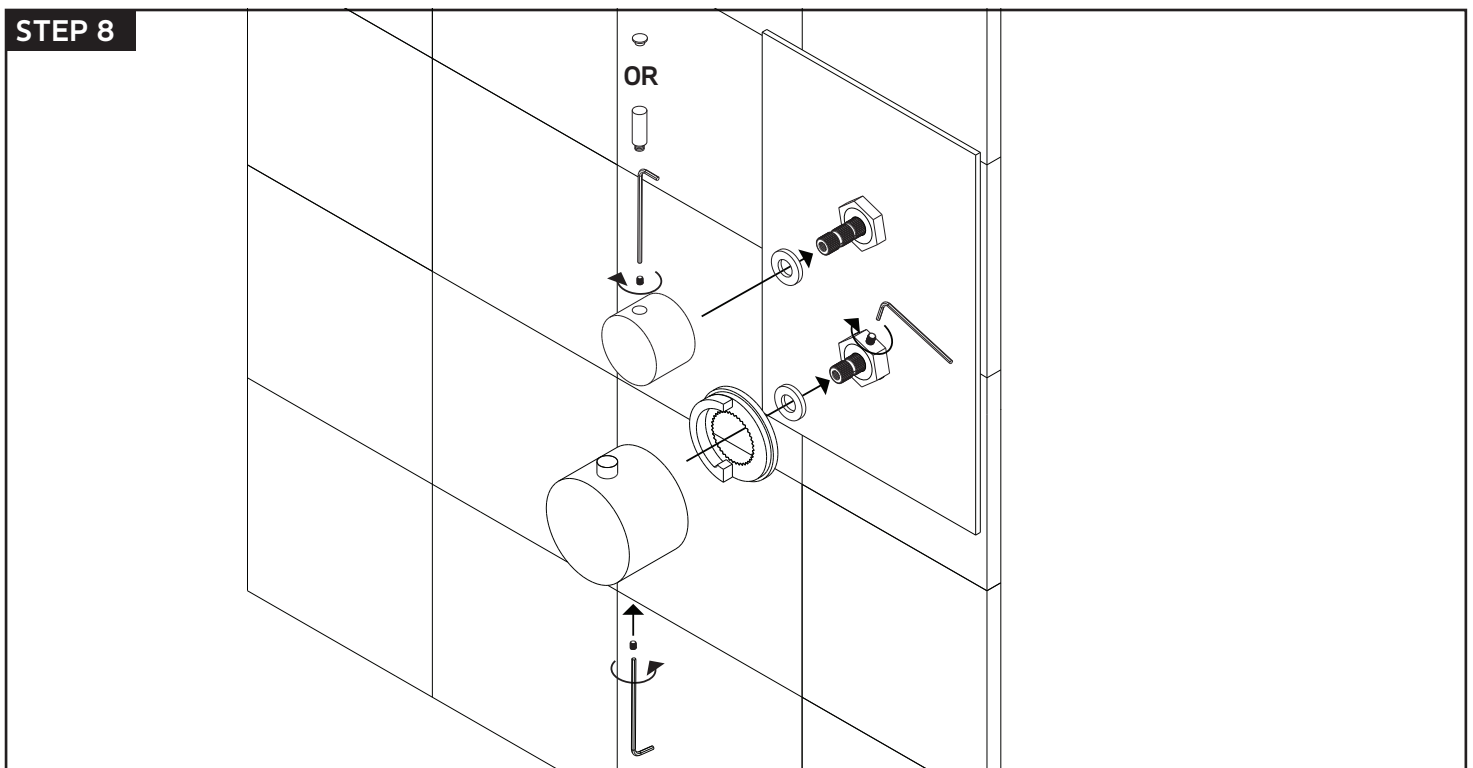
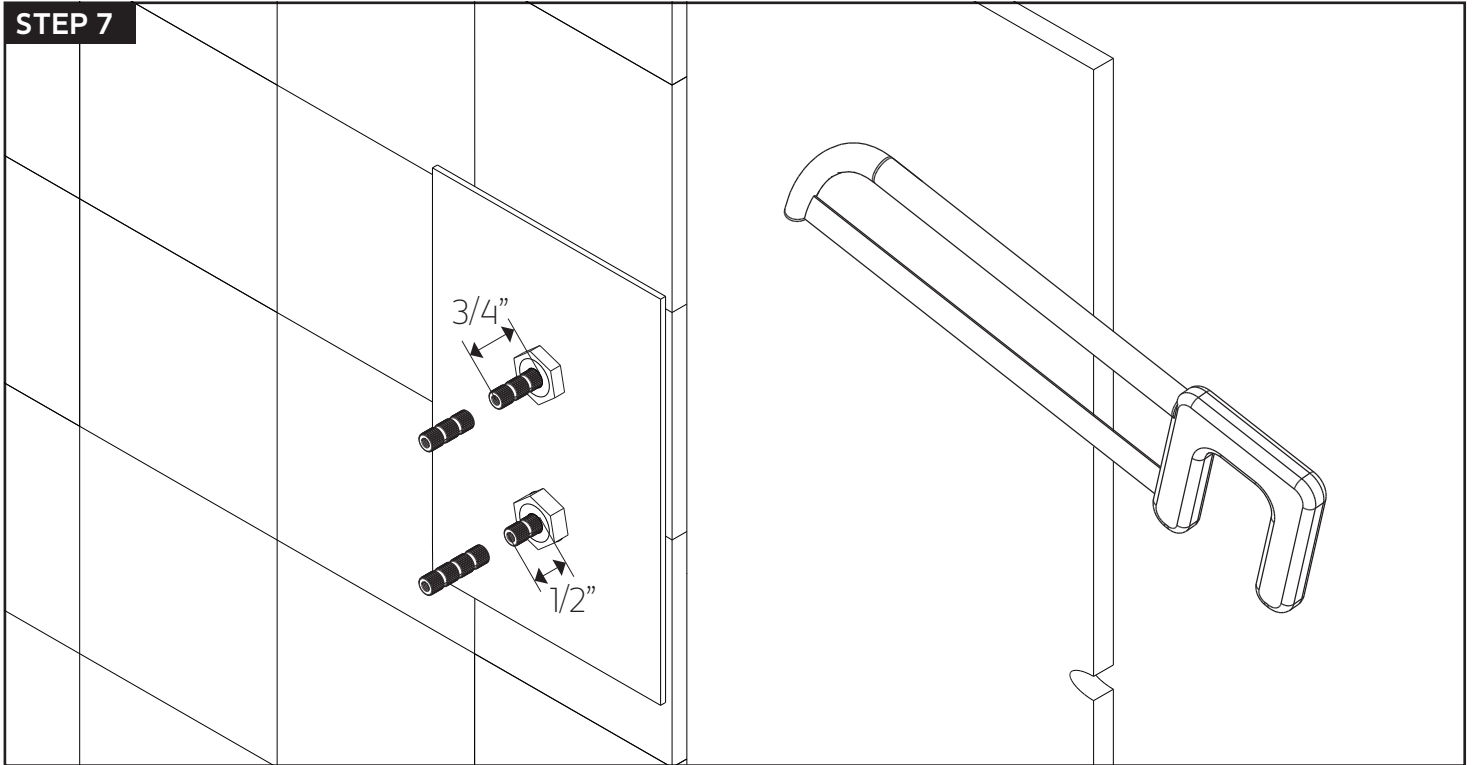
for F903B-60TK

STEP 5



STEP 6

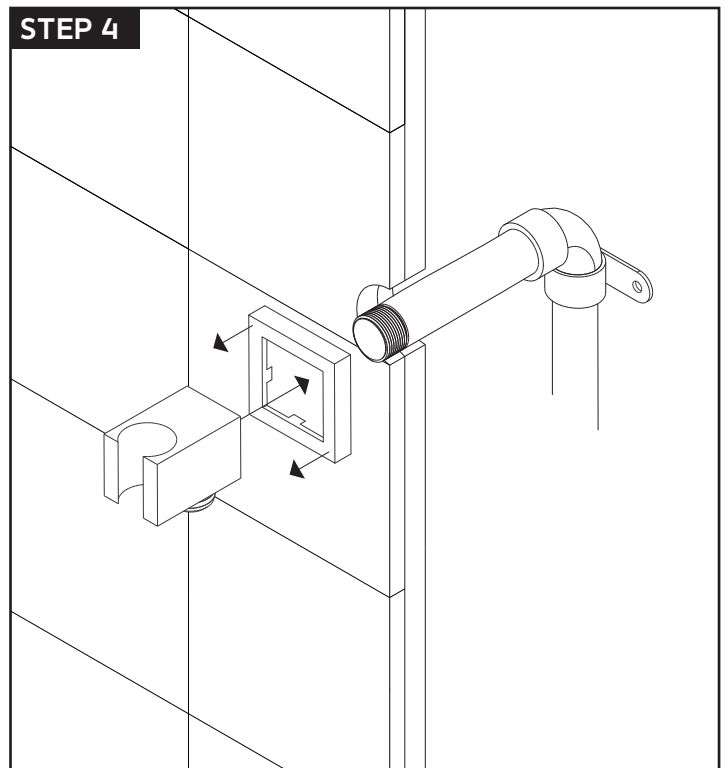
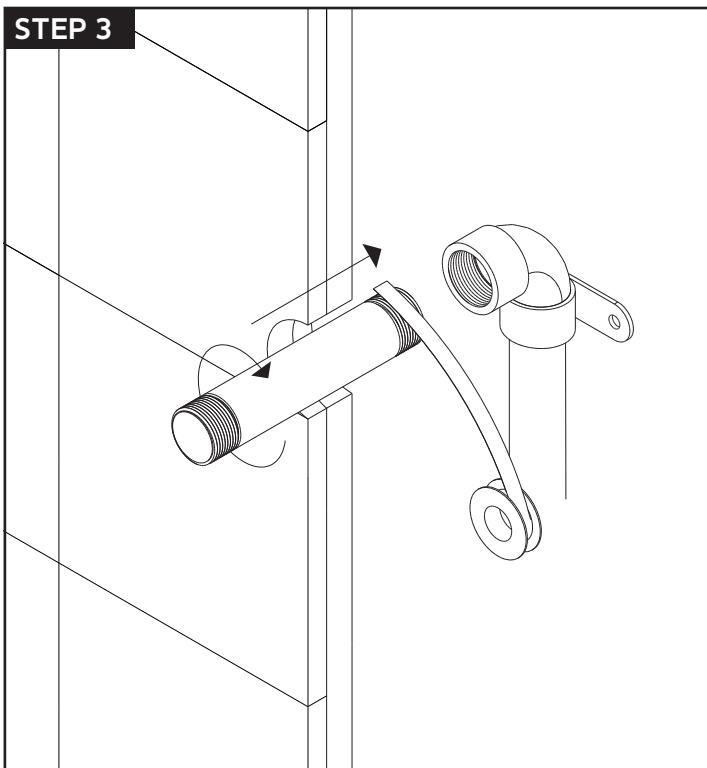
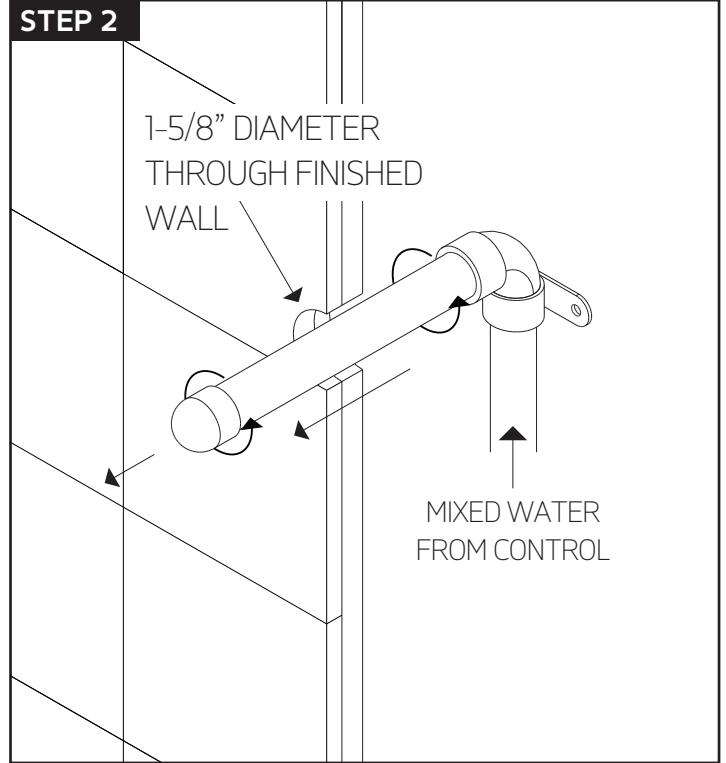
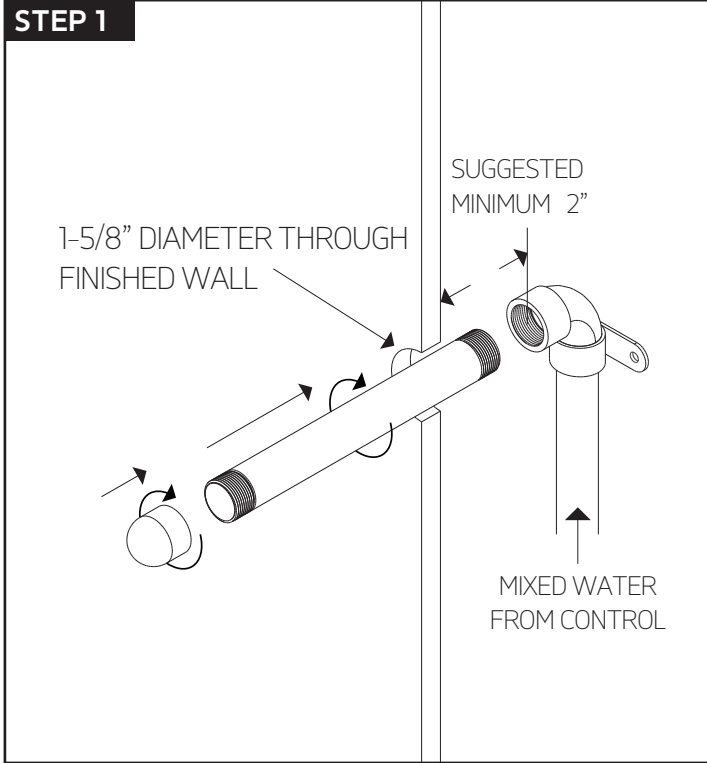




artos[®]

TS071

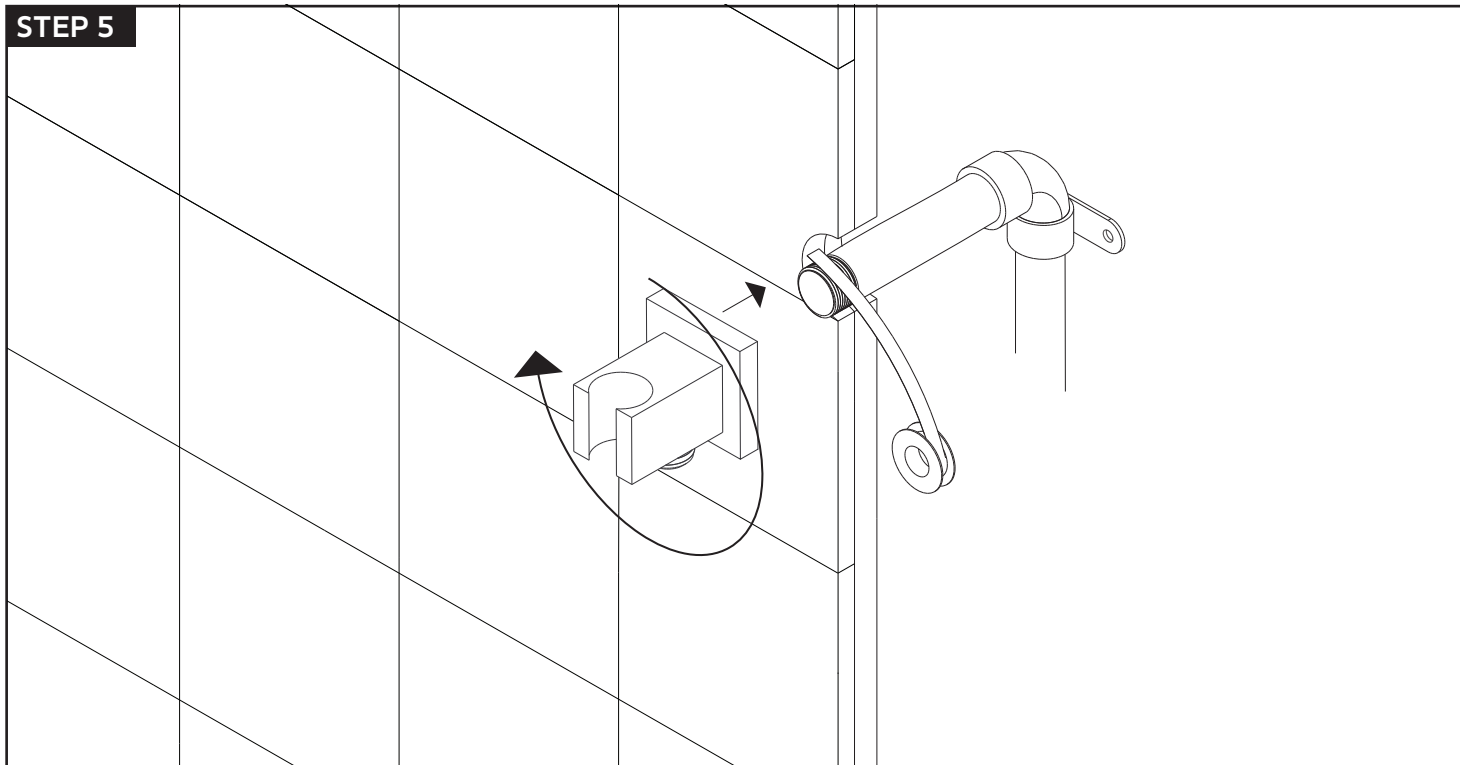
trova thermostatic
shower set with handheld



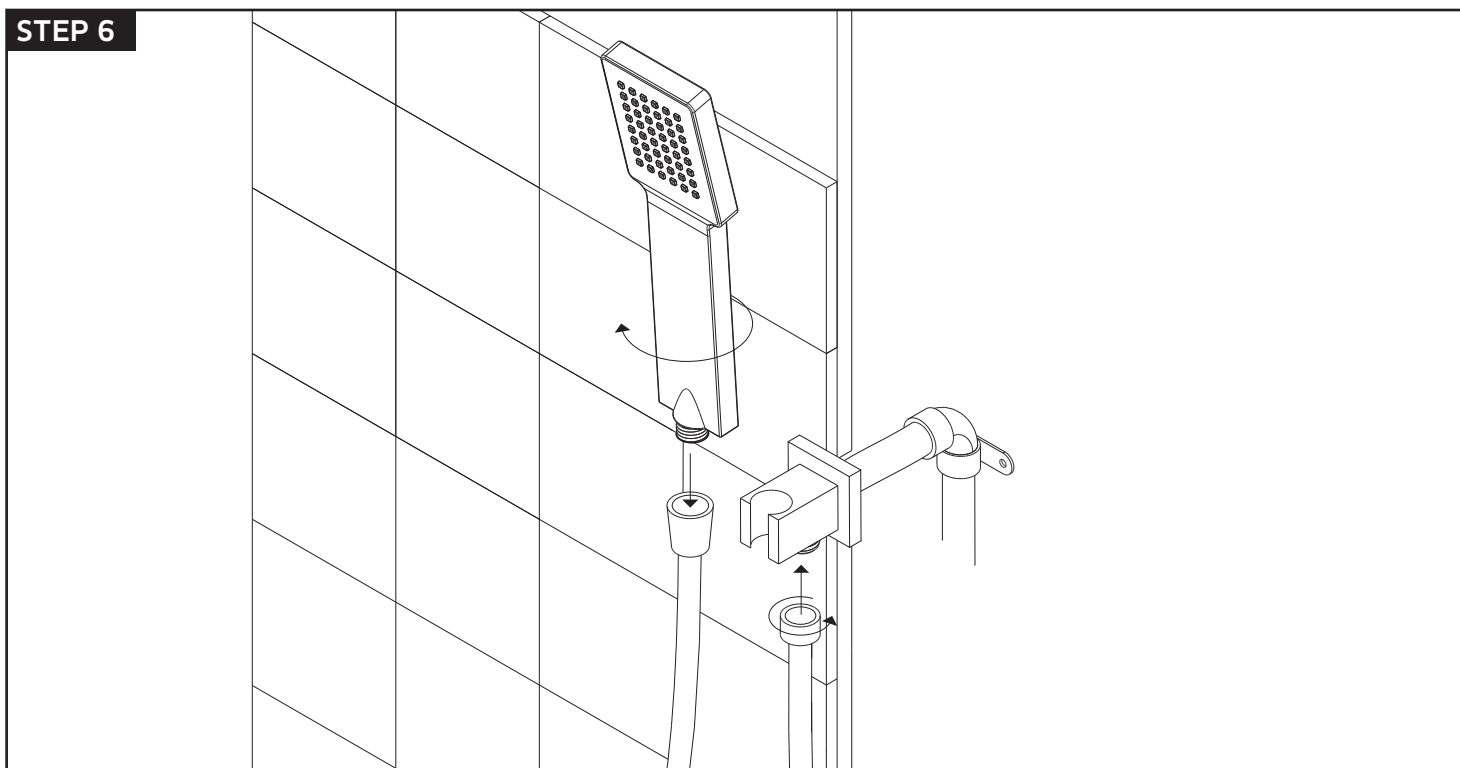
INSTALLATION STEPS

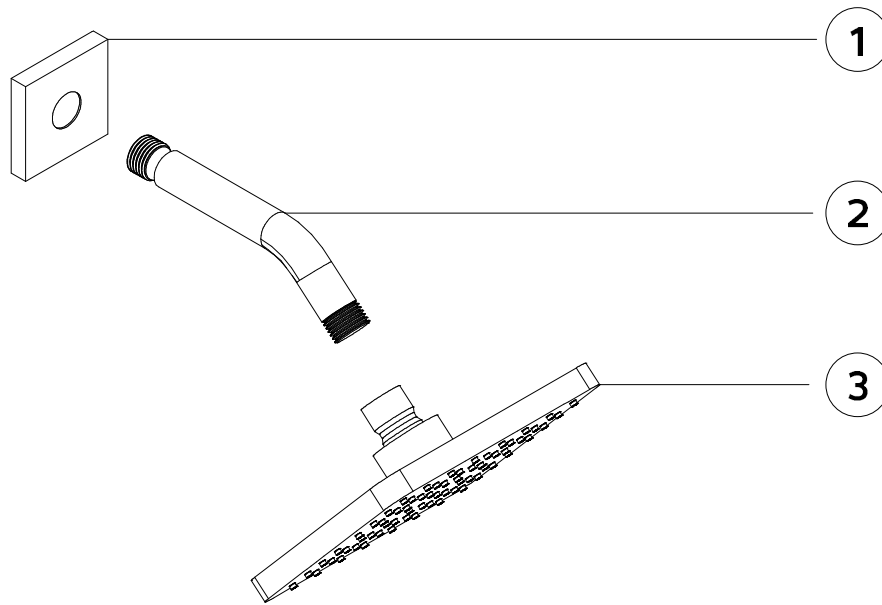
for F703-6

STEP 5

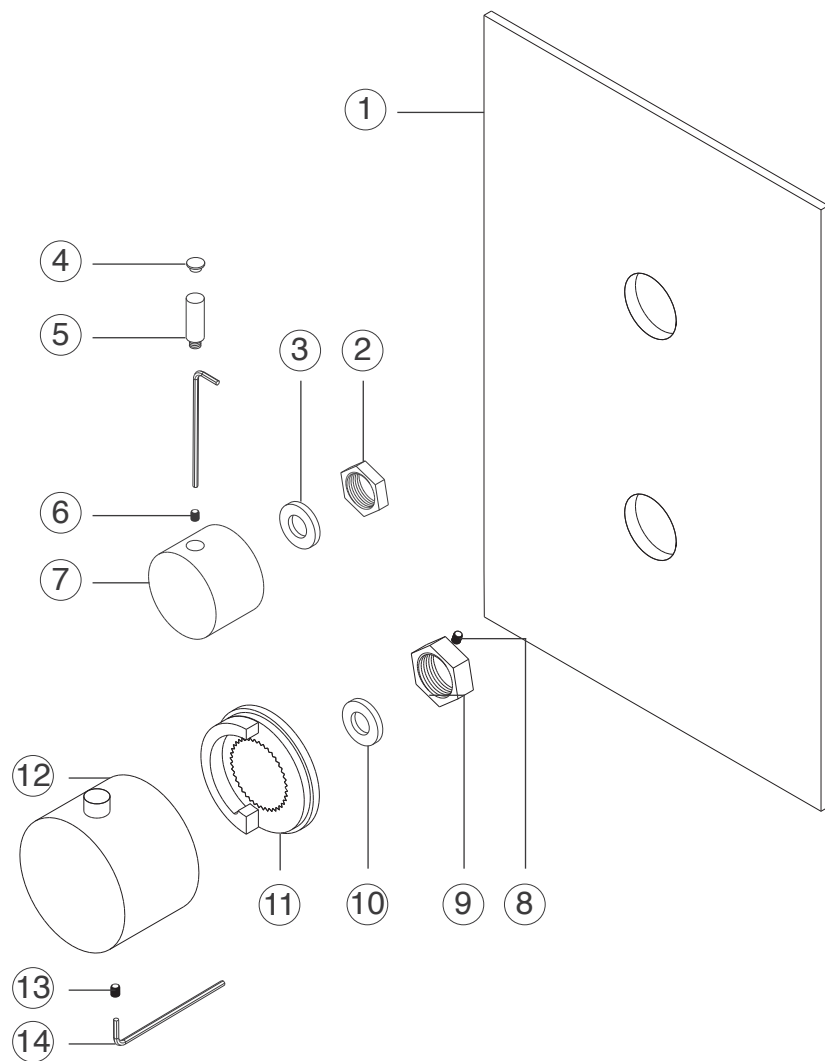


STEP 6

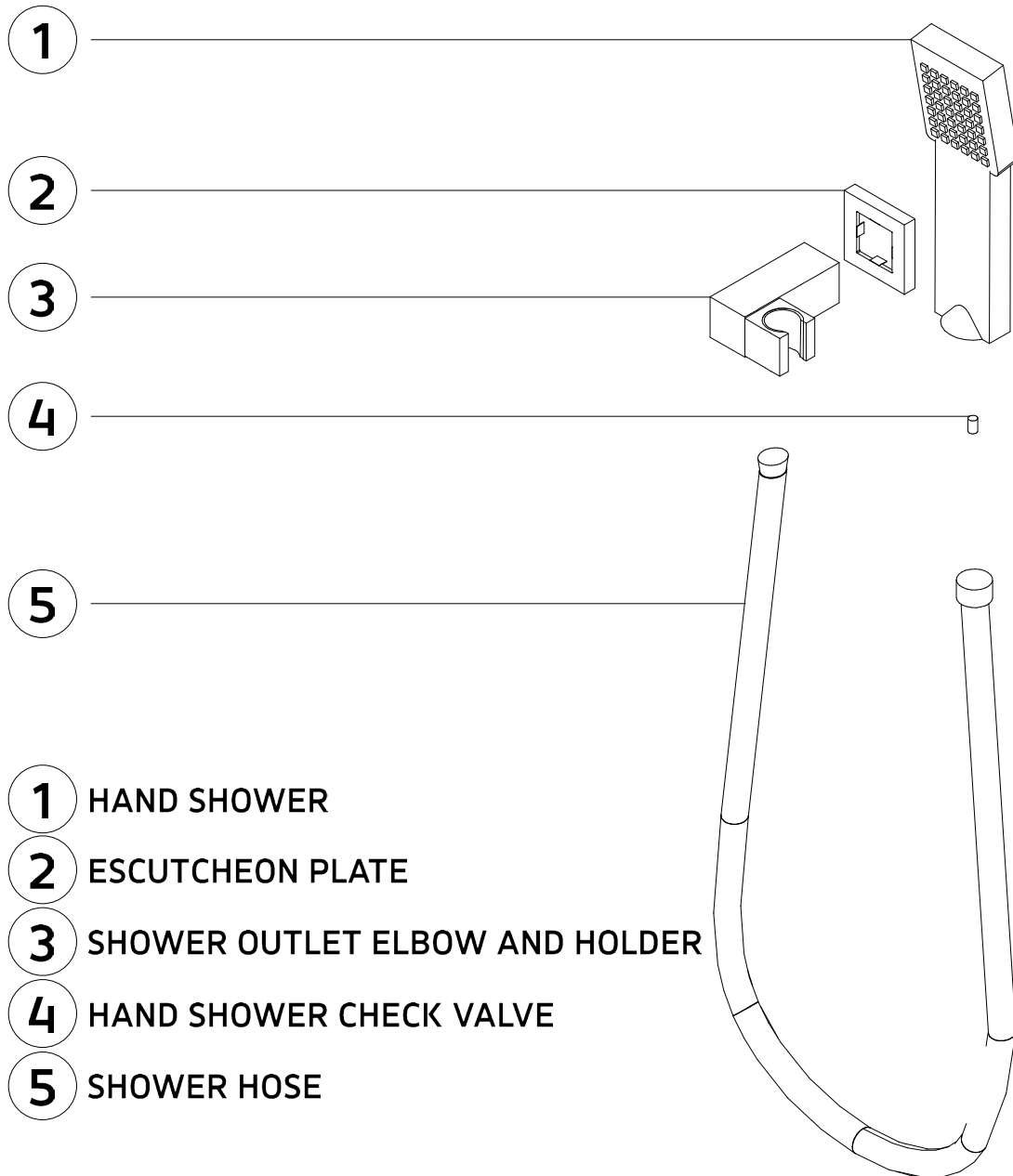




- 1 SHOWER ARM ESCUTCHEON
- 2 SHOWER ARM
- 3 SHOWER HEAD



- | | |
|------------------------|-----------------------------|
| ① ESCUTCHEON | ⑧ LOCKING NUT SET SCREW |
| ② DIVERTER LOCKING NUT | ⑨ THERMOSTAT LOCKING NUT |
| ③ NYLON WASHER | ⑩ NYLON WASHER |
| ④ HANDLE HOLE CAP | ⑪ TEMPERATURE LIMITING RING |
| ⑤ DIVERTER HANDLE LEVE | ⑫ THERMOSTAT HANDLE |
| ⑥ DIVERTER SET SCREW | ⑬ THERMOSTAT SET SCREW |
| ⑦ DIVERTER HANDLE | ⑭ ALLEN WRENCH |



- 1** HAND SHOWER
- 2** ESCUTCHEON PLATE
- 3** SHOWER OUTLET ELBOW AND HOLDER
- 4** HAND SHOWER CHECK VALVE
- 5** SHOWER HOSE