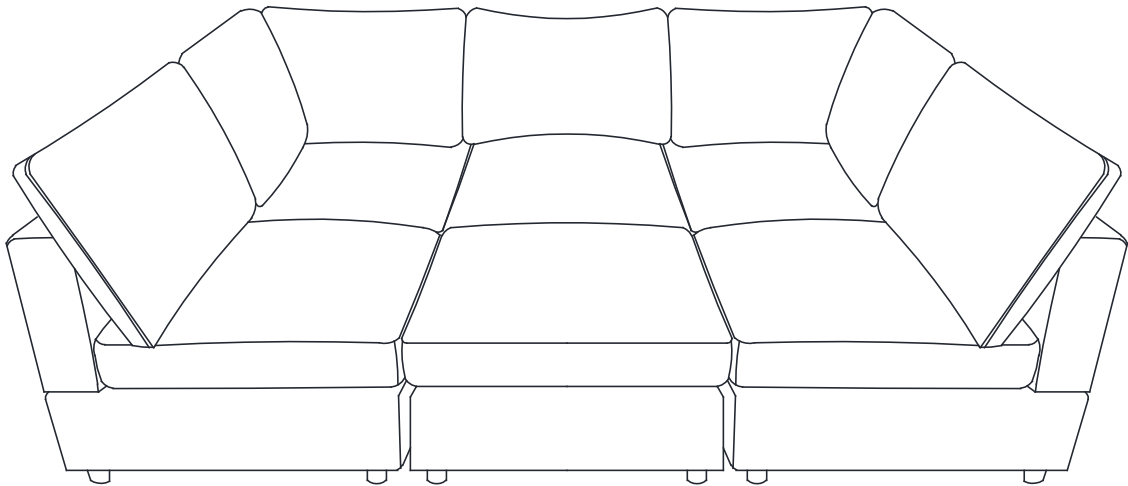


# INSTRUCTION MANUAL



**Note:**

1. Please confirm all parts are correct before you assemble
  2. This product is shipped in 2-8 boxes (Depending on the seat number you choose), if you only receive one box first, don't worry, other boxes are on the way.
  3. Do not tighten fastening fully until assembly is complete
  4. **DO NOT USE POWER TOOLS.** Power tools can overtighten screws.
- If you have any questions, please feel free to contact us.

## FAQ

Q1:Missing parts when received.

A1:If you find some parts are missing from the box, please kindly send us messages to let us know the name of missing parts according to the parts list of the instruction, we will send you the replacement asap

Q2: Difficult to assemble

A2:It is best for two people to install the sofa. If there are any problems during the installation process, you can take photos and send them to us, and we will reply promptly.

Q3:Some parts were damaged when arrived.

A3:Please send us the clear photo of the damaged part as an attachment, we will check it and offer you the best solution soon.

Q4:Only received one or two boxes.

A4: We normally ship all boxes on the same day, but the boxes may not be delivered together because of the carrier. The delivery time interval between the packages will not normally exceed three days.And you can also contact the seller and ask for the delivery time of the other boxes.

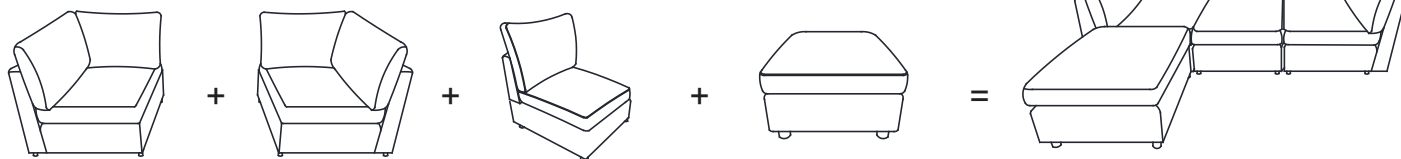
Q5:Want to return the product.

A5: Before returning the item, please contact us regarding the return issue.Please make sure that the box packaging is complete, the product is not damaged, stained, and does not affect secondary sales.Products returned without the original packaging may be rejected, and we may request pictures to be provided.

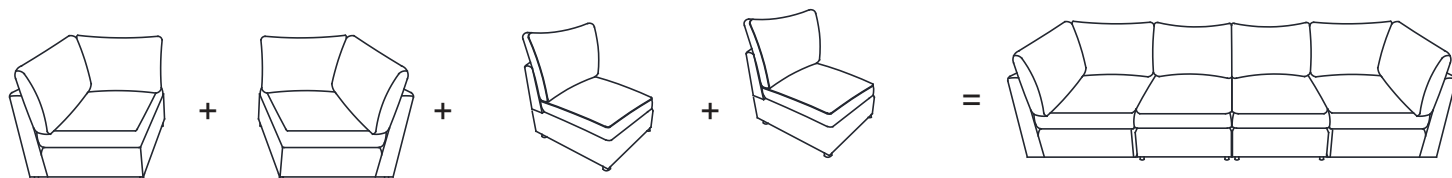
Q6: There are wrinkles on the product after unpacking.

A6: This is normal due to vacuum packaging. Please allow the product to rest for 48-72 hours to regain its original shape. If wrinkles remain, you can gently use a low-temperature garment steamer to remove them easily.

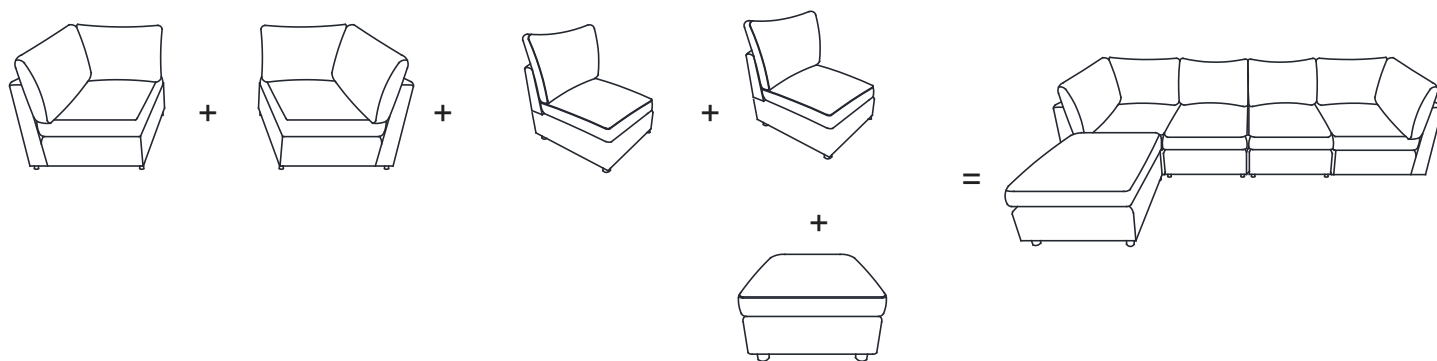
Box A + Box B+Box C+Box D



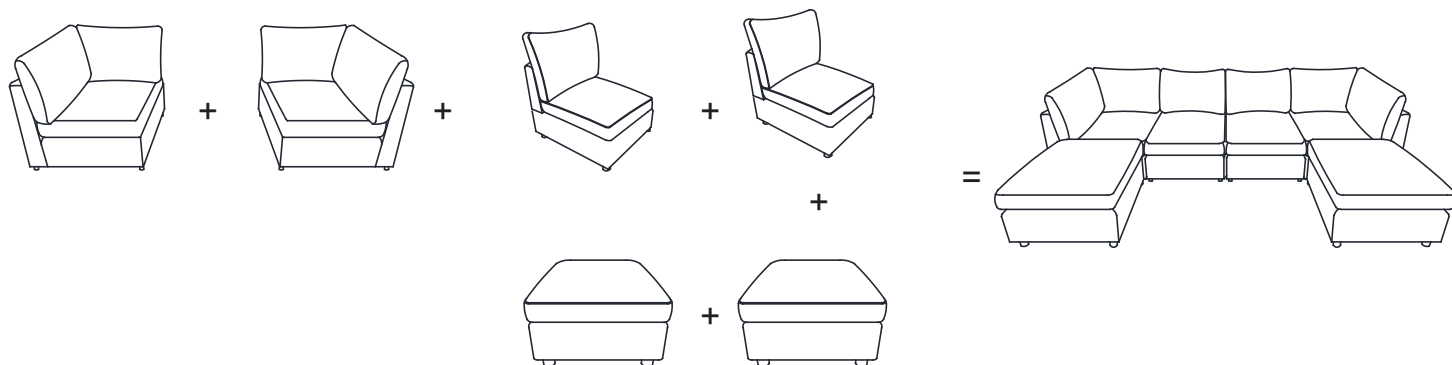
Box A + Box B+2Box C



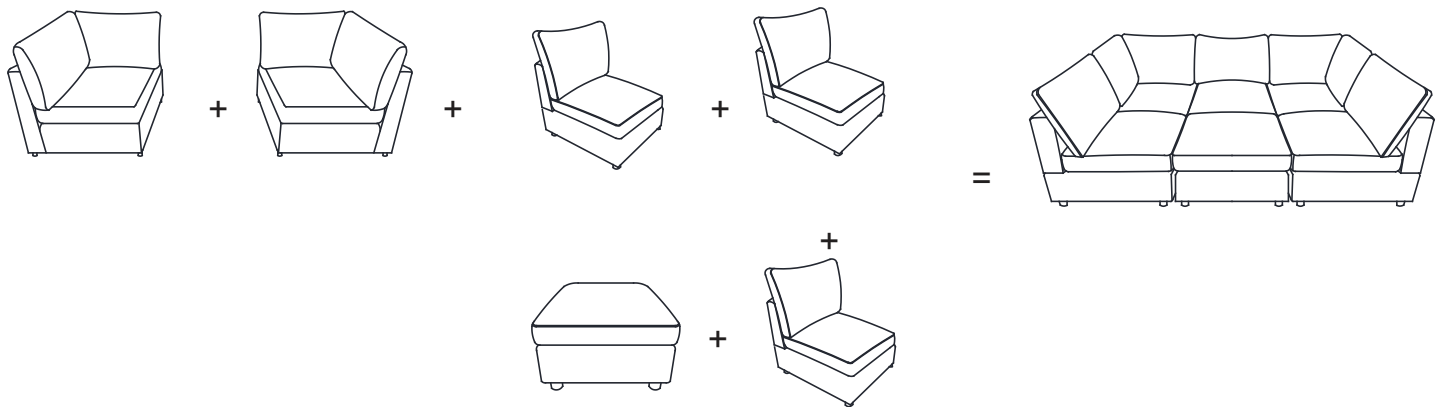
Box A + Box B+2Box C+Box D



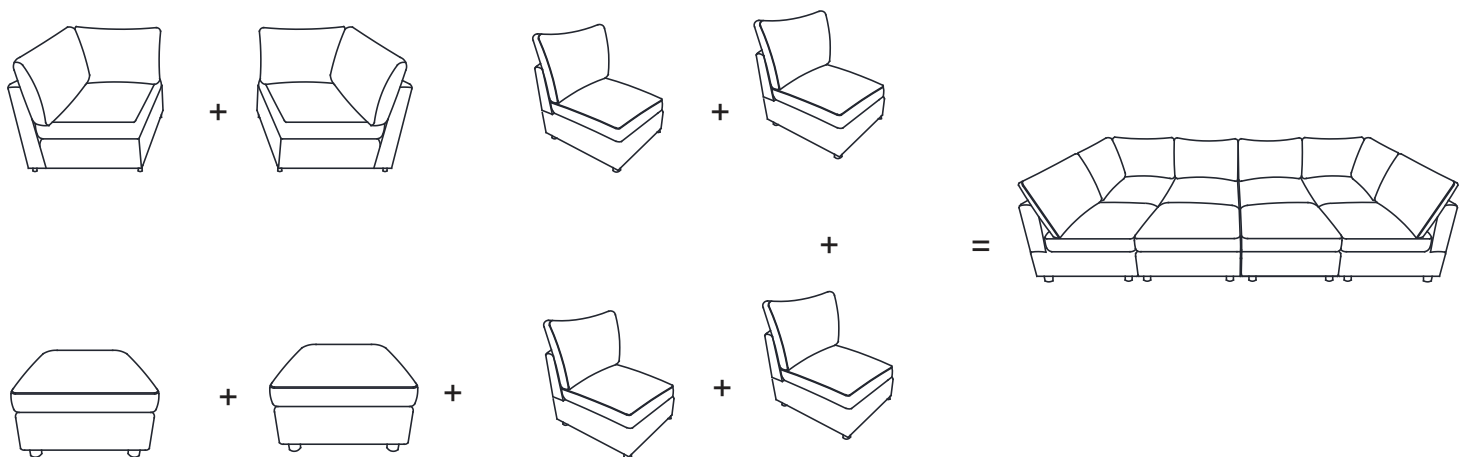
Box A + Box B+2Box C+2Box D



Box A + Box B + 3Box C + Box D

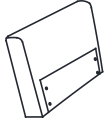


Box A + Box B + 4Box C + 2Box D




# BOX A

Left Armrest



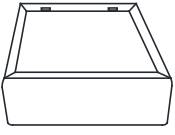
1PC

Back frame



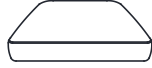
1PC

Left Side seat frame




1PC

Seat cushion




1PC

Back cushion




2PCS

Slider




2PCS

Legs




4PCS

Velcro




2PCS

**A** M8\*50mm Bolt




4PCS

**B** Washer



4PCS

**C** Alley key

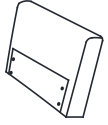


M8

1PC


# BOX B

Right Armrest



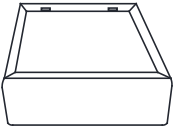
1PC

Back frame




1PC

Right Side seat frame




1PC

Seat cushion




1PC

Back cushion




2PCS

Slider




2PCS

Legs




4PCS

Velcro




2PCS

**A** M8\*50mm Bolt




4PCS

**B** Washer



4PCS

**C** Alley key



M8

1PC

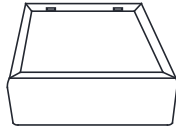
## BOX C

Back frame



1PC

Middle seat frame



1PC

Seat cushion



1PC

Back cushion



2PCS

Slider



2PCS

Legs



4PCS

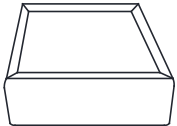
Velcro



2PCS

## BOX D

Ottoman seat frame



1PC

Ottoman cushion



1PC

Legs



4PCS




Velcro

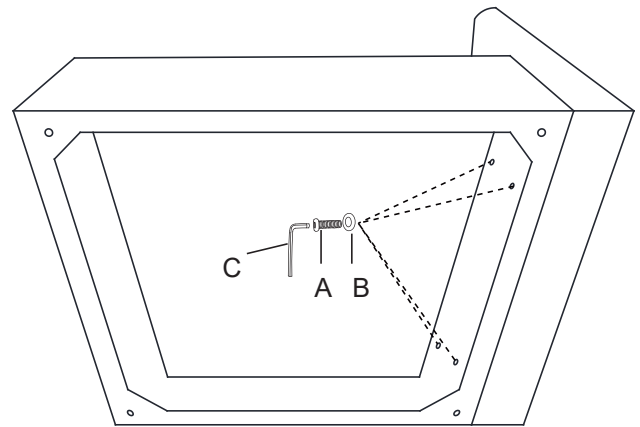
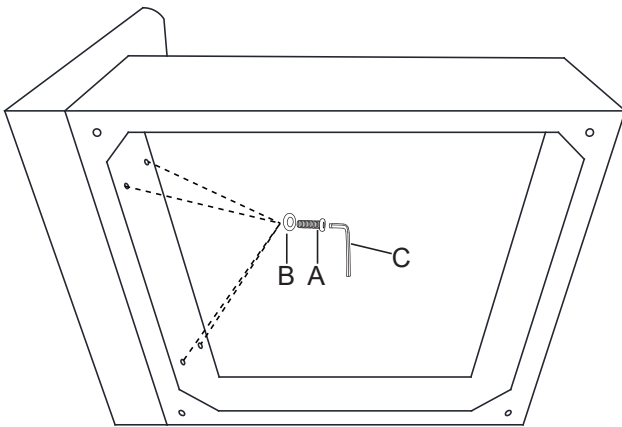


2PCS

**STEP 1: As Shown Below**

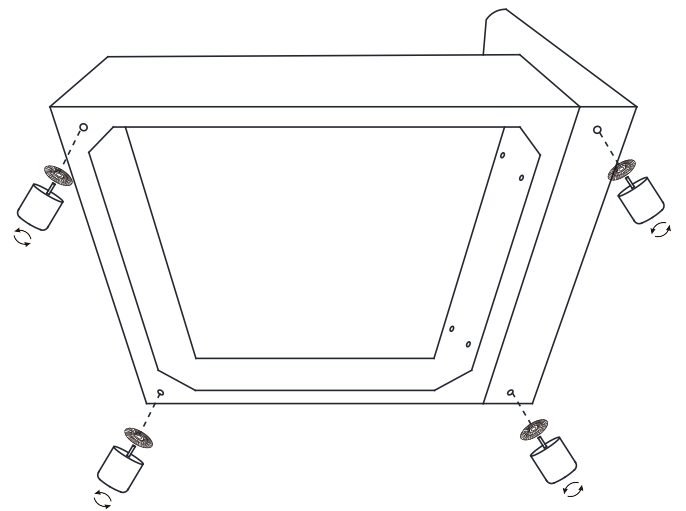
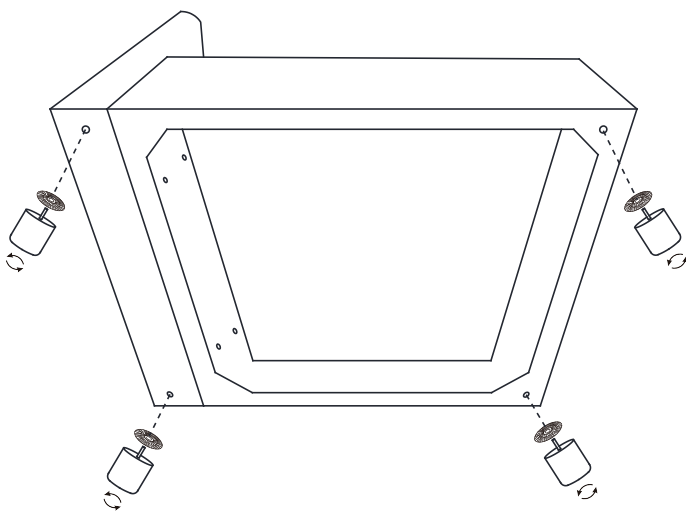
Assemble the Left & Right Armrest to the Seat Frame with Washers (B) and Screws (A).

A		8PCS
B		8PCS
C		1PC



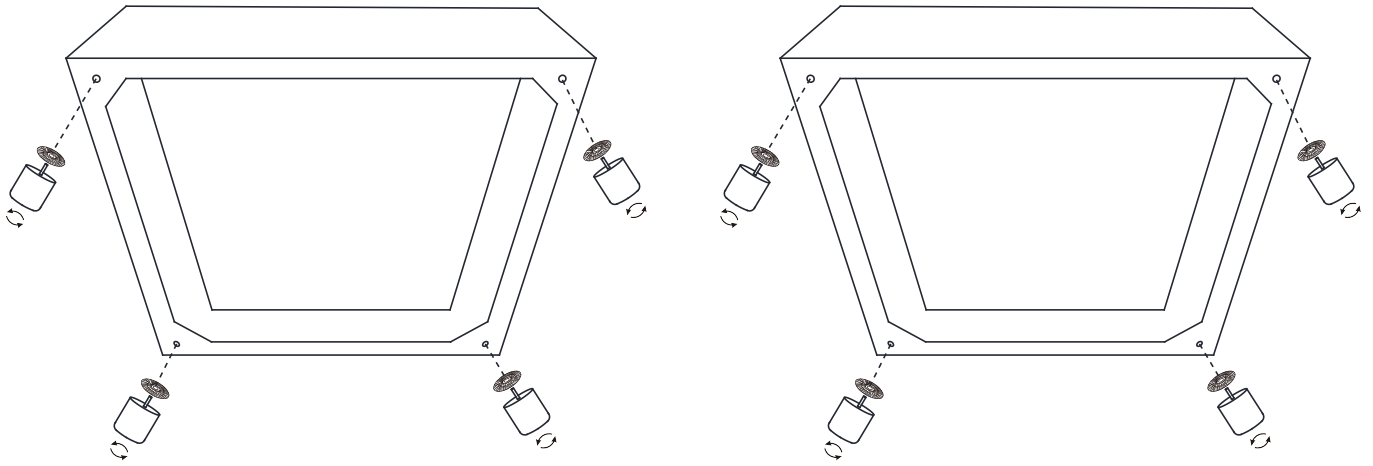
**STEP 2: As Shown Below**

Assemble the legs with plastic washers to the bottom of the sofa and ottoman.



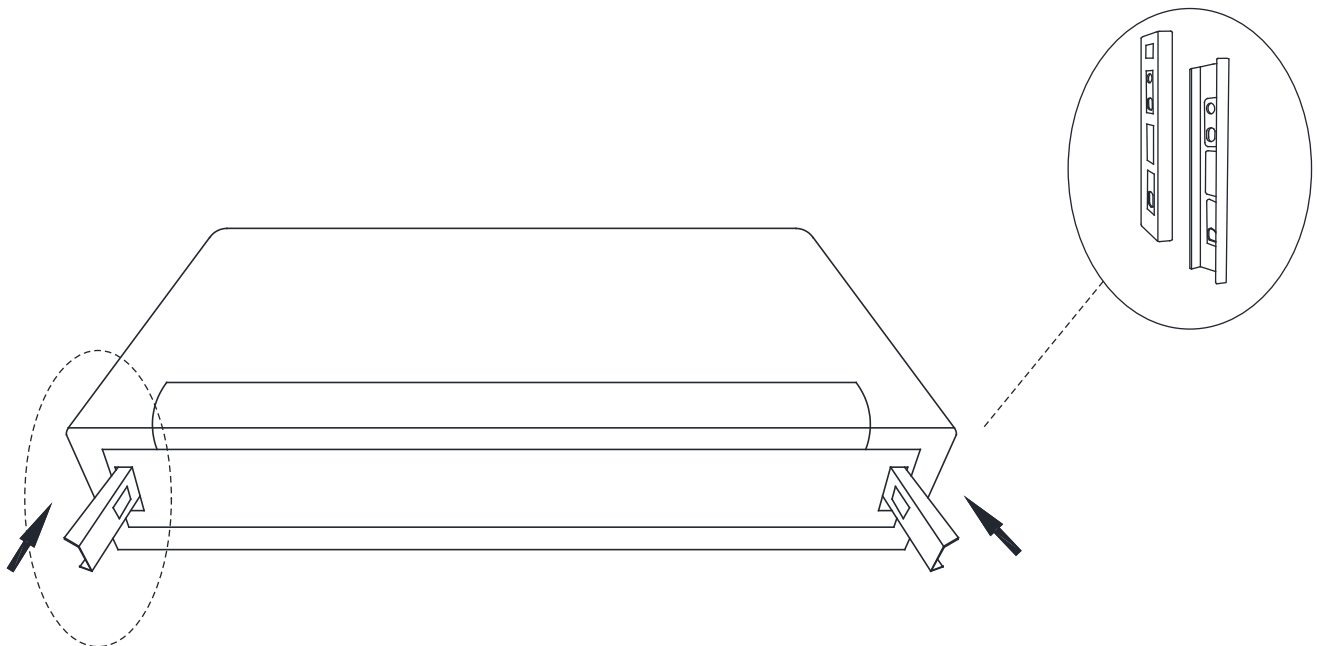
**STEP 3: As Shown Below**

Assemble the legs with plastic washers to the bottom of the sofa and ottoman.



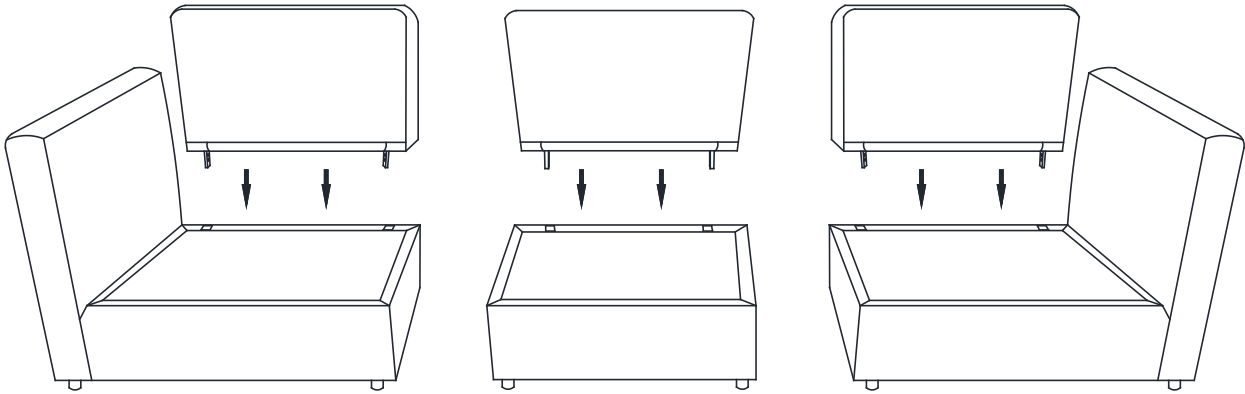
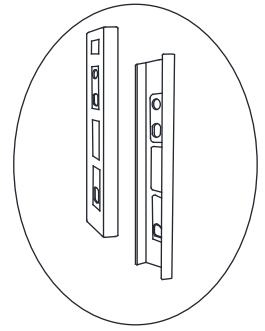
**STEP 4: As Shown Below**

Insert the metal bracket into the slot on the backrest as shown, and ensure it locks securely with the embedded metal insert.



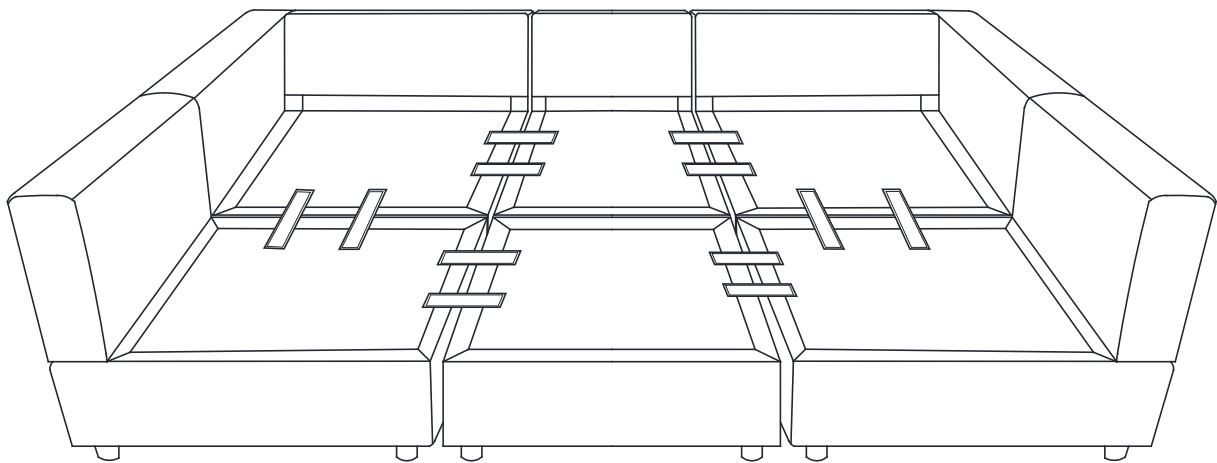
**STEP 5: As Shown Below**

The backrest is inserted into the frame.

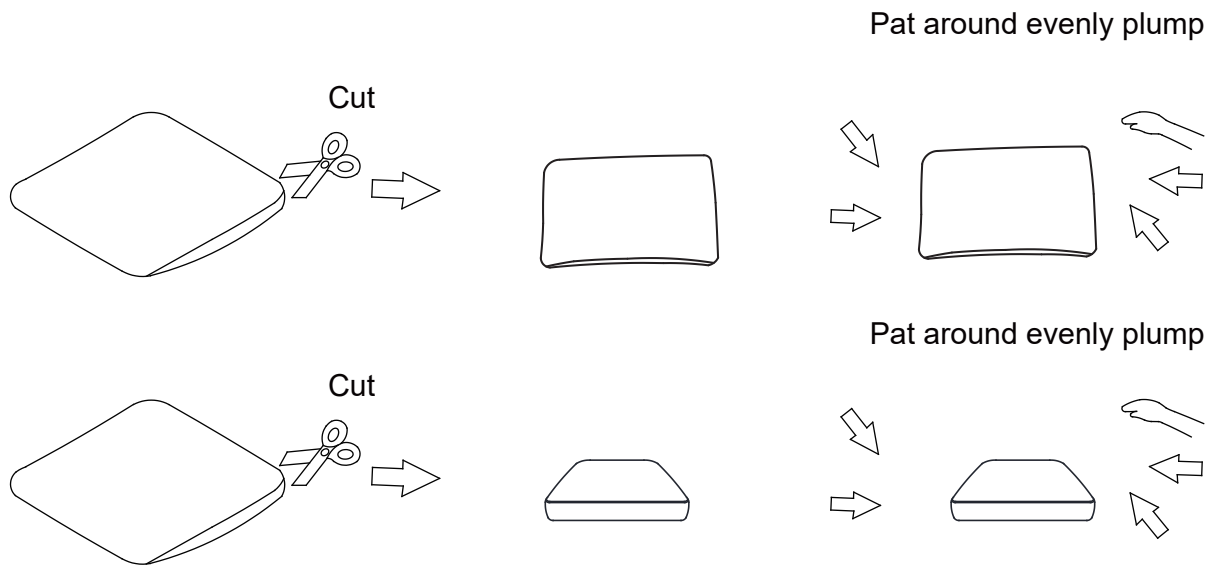


**STEP 6: As Shown Below**

Attach the cushion with velcro, combine the seat.



STEP 7: The cushions is packaged by vacuum compression. After cutting the package, it rebounds quickly within 4 hours. If the fabric has wrinkles it will basically disappear after standing for 72 hours.



Note: For best results, use a garment steamer to smooth out wrinkles.

STEP 7:

Place all cushions and throw pillowson the sofa.

