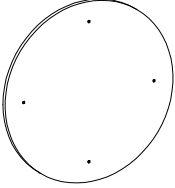
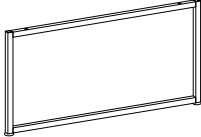
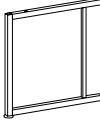
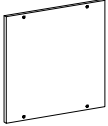
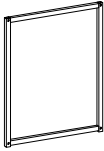


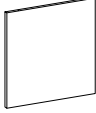
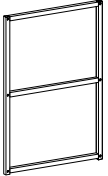


ASSEMBLY INSTRUCTION

FURNITURE COFFEE TABLE SET

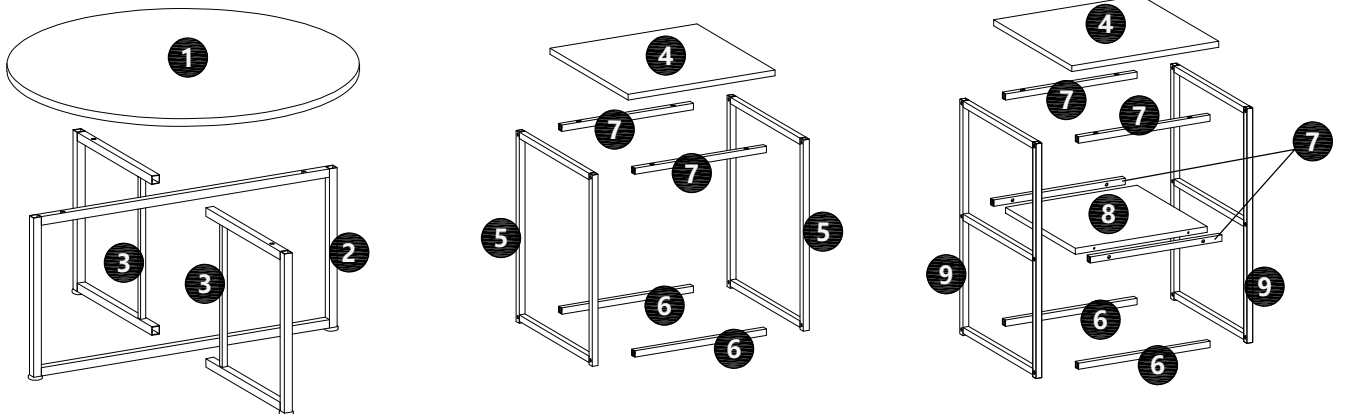
1. Extra Screws of A/B/C/D/E are provided in case of any screws missing in the boxes.
2. Please take the time to identify and count all parts as well as the hardware to this product.

PART LIST

 Ø31.5"×0.71" 1 ×1PC	 2 ×1PC	 3 ×2PCS	 15.75"×15.75"×0.59" 4 ×2PCS
 5 ×2PCS	 6 ×4PCS  7 ×6PCS	 14.1"×14.1"×0.59" 8 ×1PC	 9 ×2PCS

HARDWARE

 M6×12mm A×12PCS	 M6×25mm B×8PCS	 M6×30mm C×4PCS	 M6×35mm D×20PCS	 M7×37mm E×4PCS	 F×2PCS	 4mm G×1PC
--	---	---	--	--	--	--



NOTED:

1. It is recommended that this item should be assembled by two adults.
2. Assemble this item on a soft surface, such as cardboard or carpet, to protect finish.

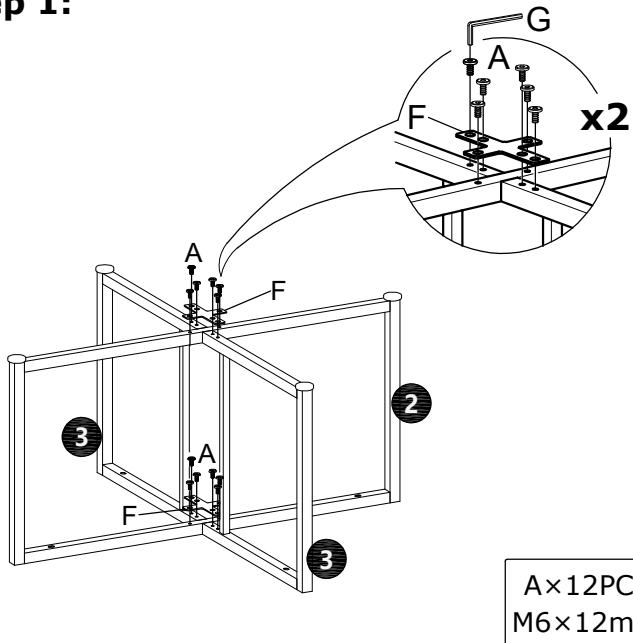
Please provide us with following information, so that it will be easier to resolve your problem smoothly.

1. Order ID:
2. Pictures of Your Items Damage or Parts Missing:

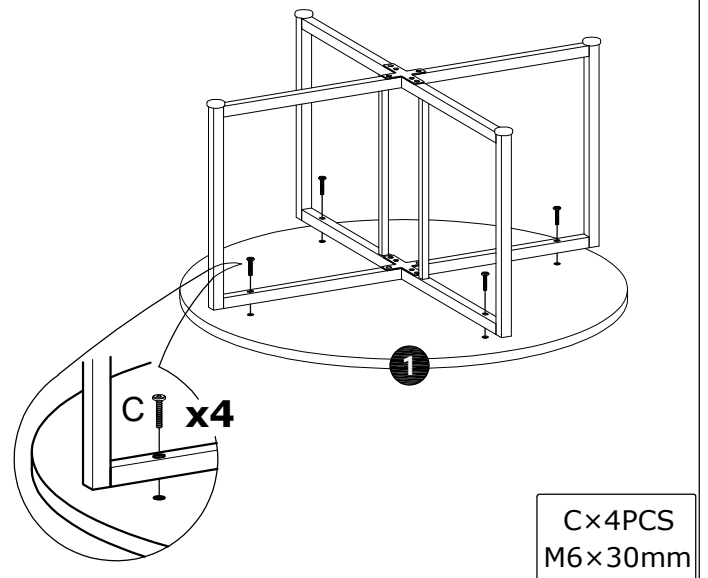
THANK YOU FOR PURCHASING OUR FURNITURE, IT IS AN HONOR TO BE IN YOUR HOME!

NOTED: Please do not tighten all bolts until the products is assembled completely.

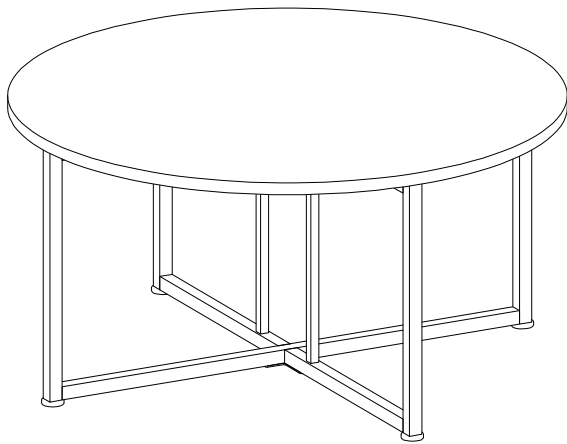
Step 1:



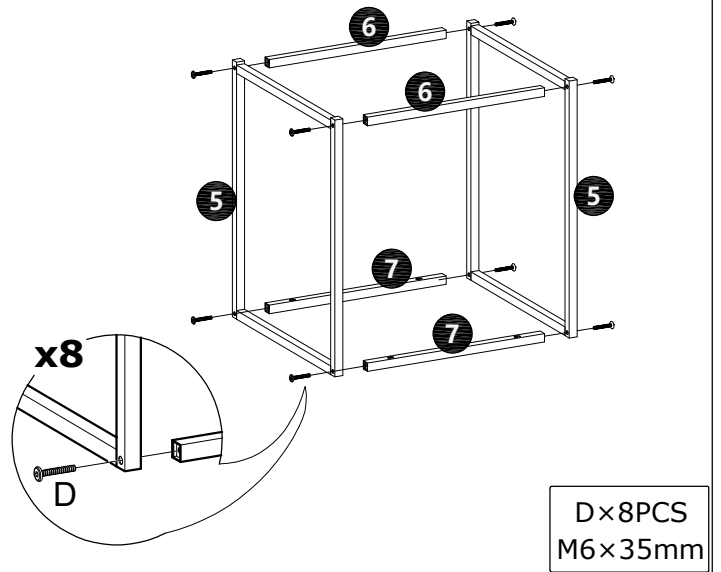
Step 2:



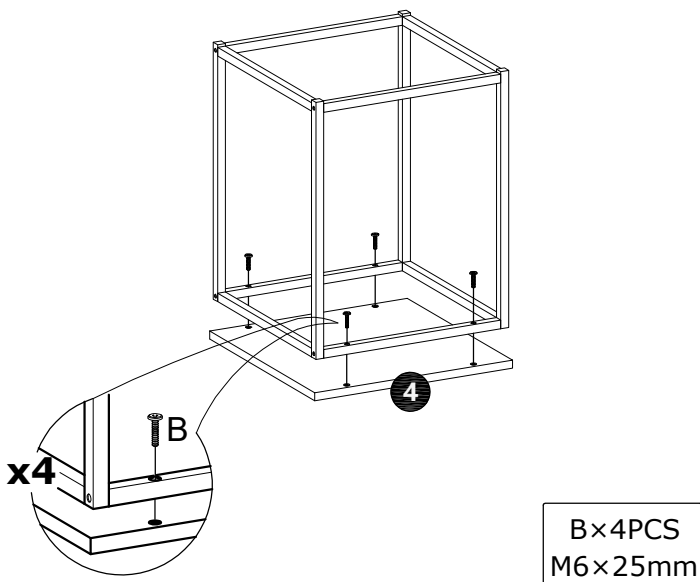
Step 3:



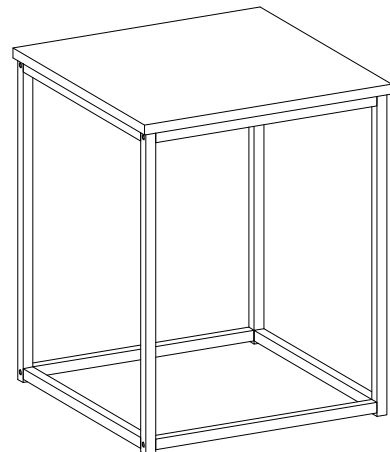
Step 4:



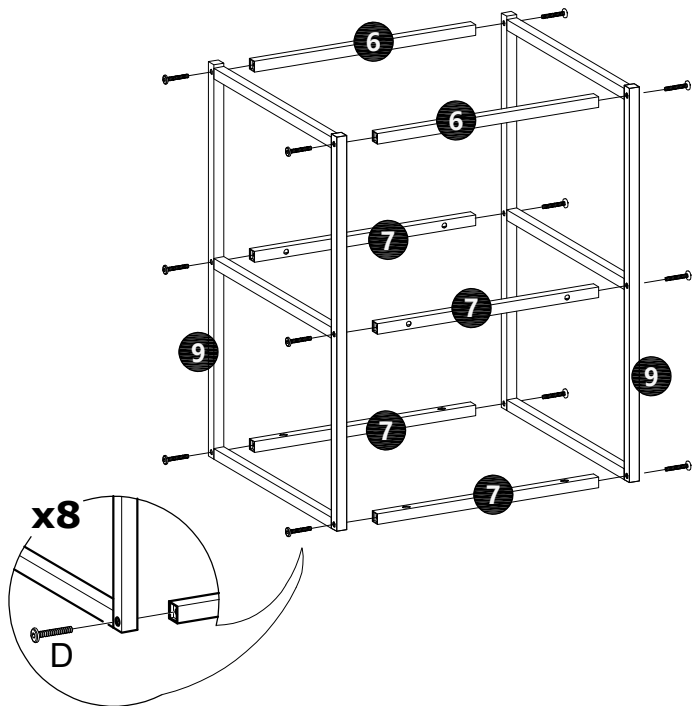
Step 5:



Step 6:

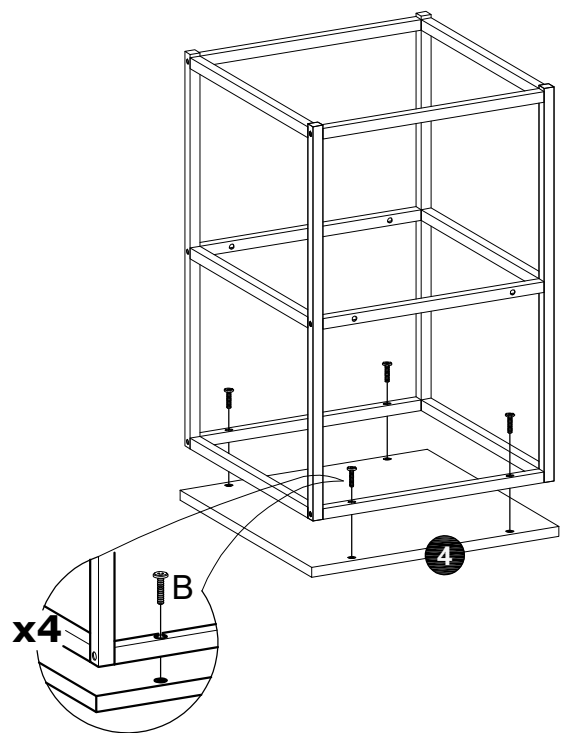


Step 7:



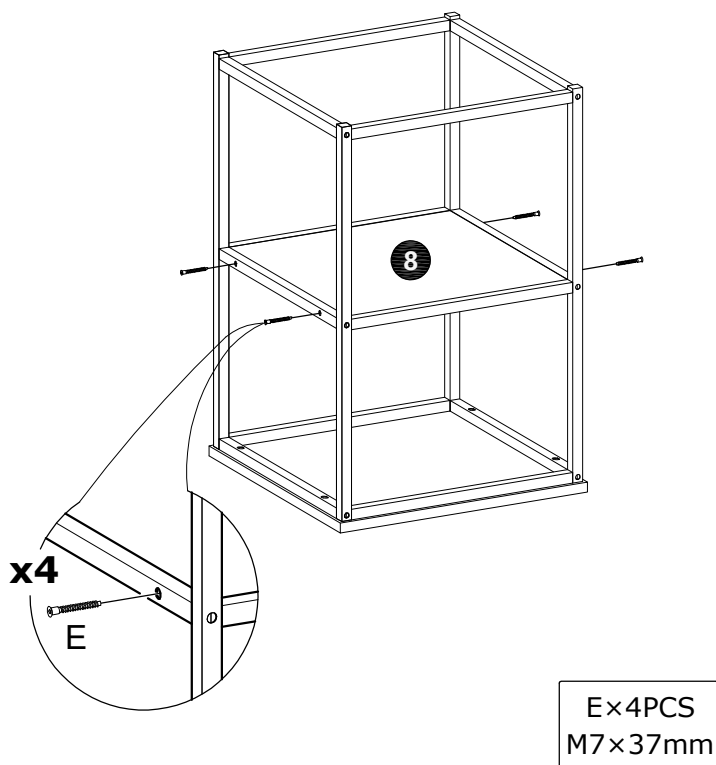
D×12PCS
M6×35mm

Step 8:



B×4PCS
M6×25mm

Step 9:



E×4PCS
M7×37mm

Step 10:

