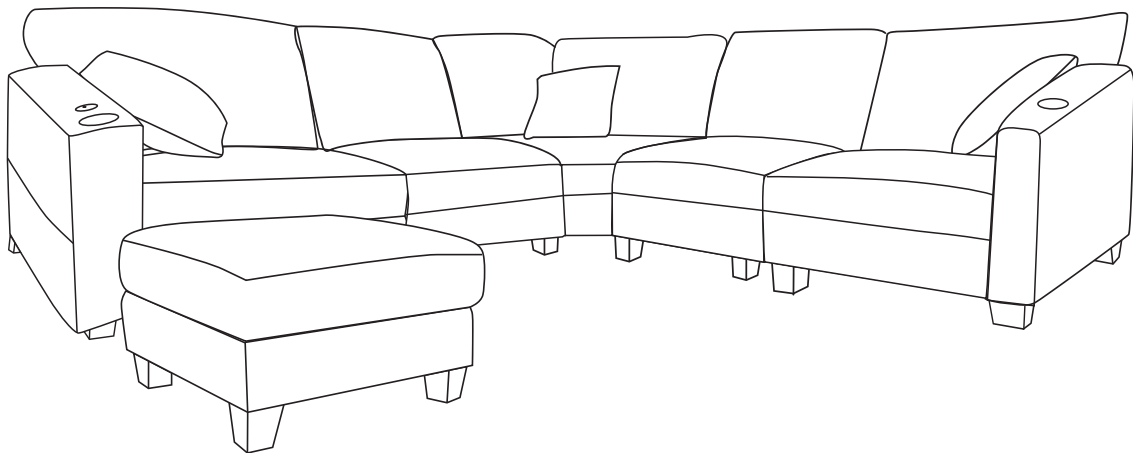


# ASSEMBLY INSTRUCTION

---

## Friendly Reminder:

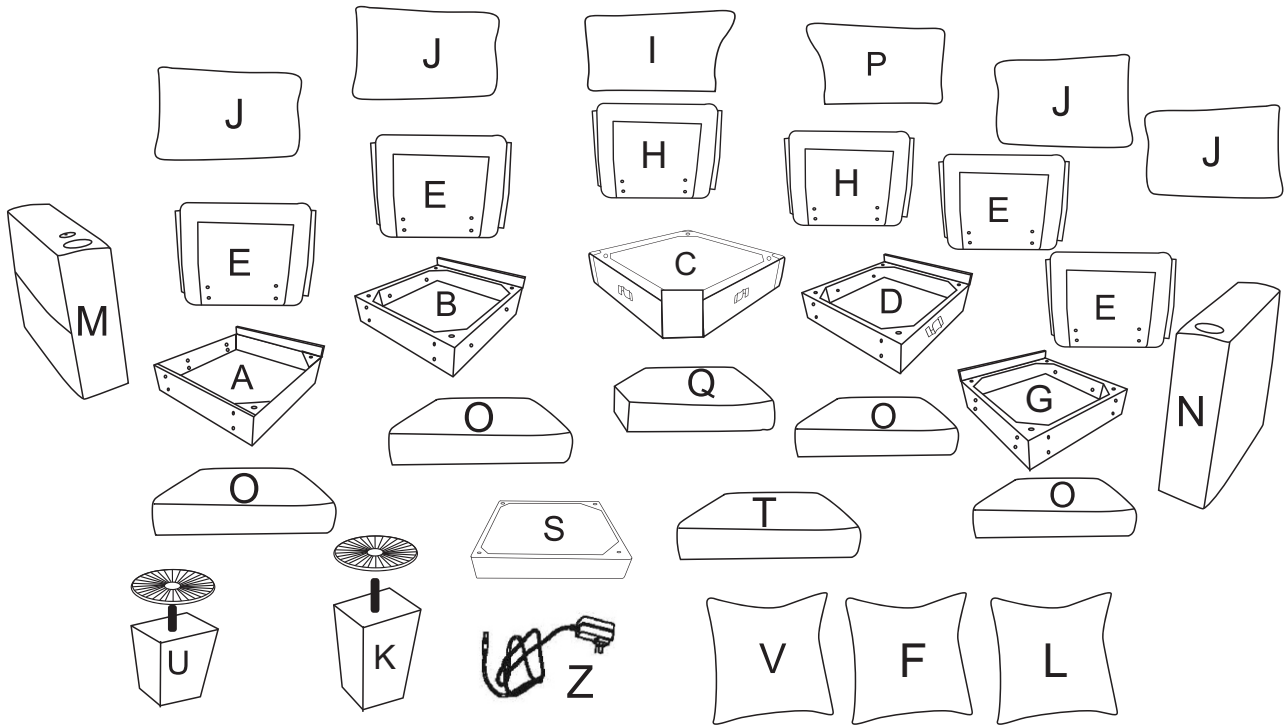
- 1.This sofa is packed in 4 boxes. Please assemble it After all boxes are received.
- 2.As the cushions are all vacuum compressed,there will be some wrinkles. Please give your cushions up to 72 hours to reach its original size and the wrinkles will basically dissapper.
- 3.Please do not open the compressed packages until your sofa frame is completely assemblec






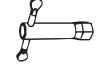





## Return & Warranty policy:

- We strive to offer the highest quality products,and we also try our best to satisfy each and every customer that orders from us with replacement parts or service as needed.
- If the item is damaged or defective, please take photos as evidence for replacements and refunds.
- Please do not return to store,contact the seller if you have any troubles with this product.

# All parts and hardwares



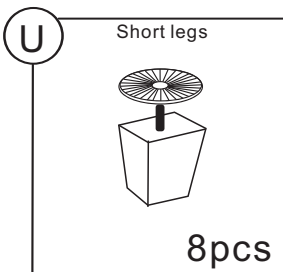
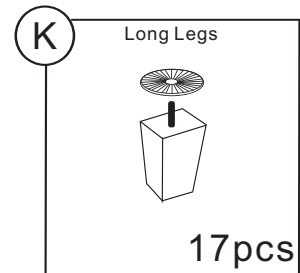
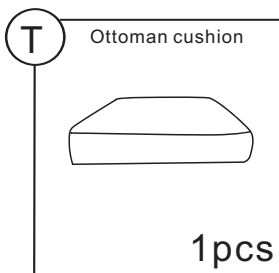
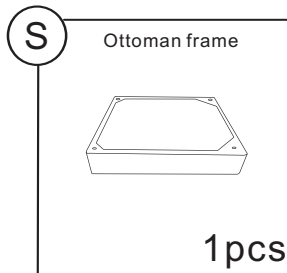
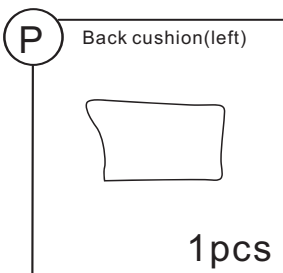
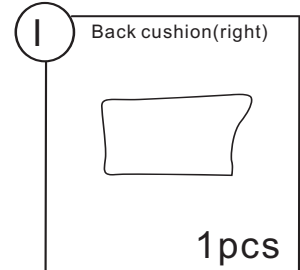
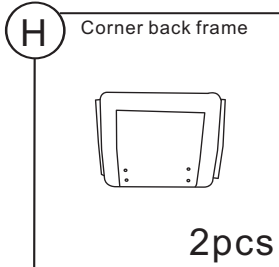
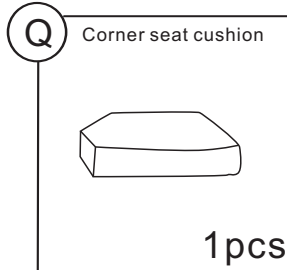
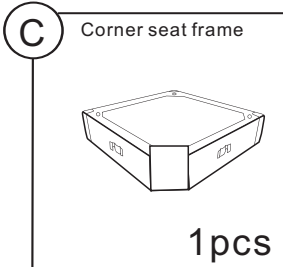
## Hardware Package

1.		Screws M8x35mm	32pcs	8.		Wrench	2pcs
2.		Screws M6x15mm	24pcs	9.		Socket wrench	1pcs
3.		Screws M8x50mm	4pcs				
4.		Washer $\phi$ 8x22	40pcs				
5.		Washer $\phi$ 6x18	24pcs				
6.		nut M8	4ps				
7.		Angle iron	12pcs				

**NOTE:** Take out of all parts from 4 boxes, make sure all parts you have received before assembled.

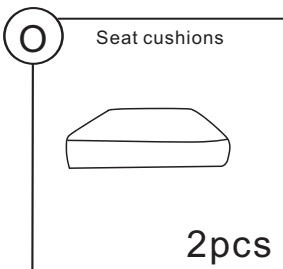
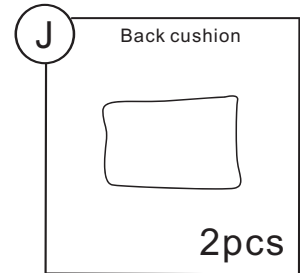
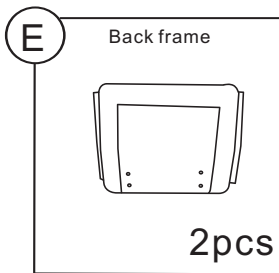
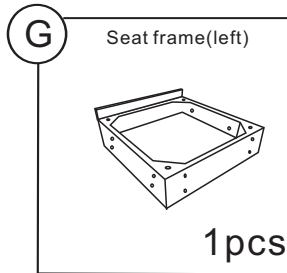
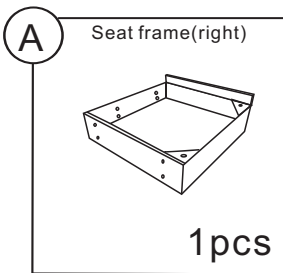
# COMPONENTS

## BOX 1



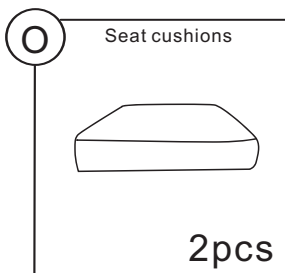
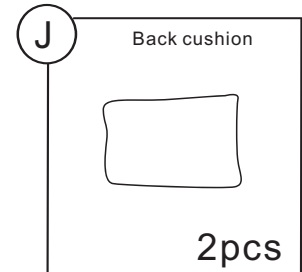
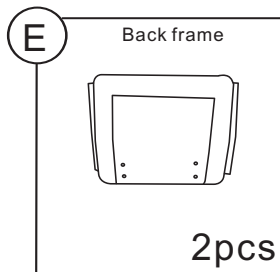
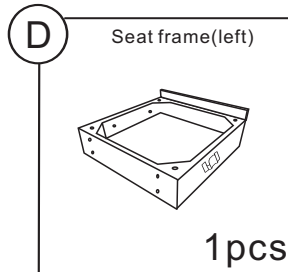
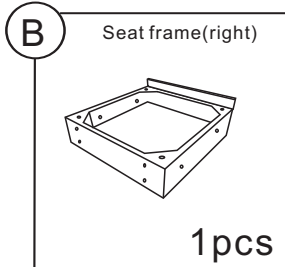
Hardware  
+  
Manual

## BOX 2

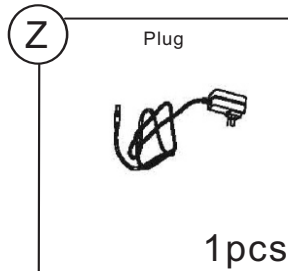
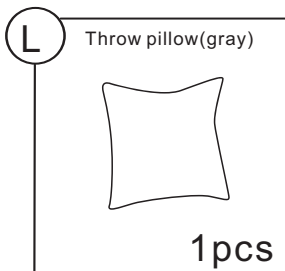
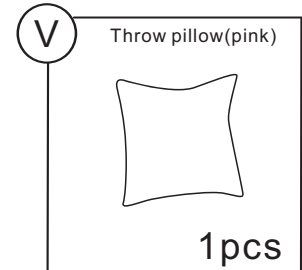
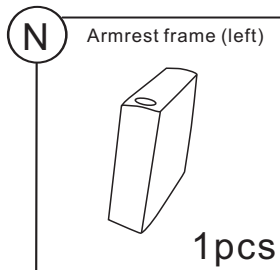
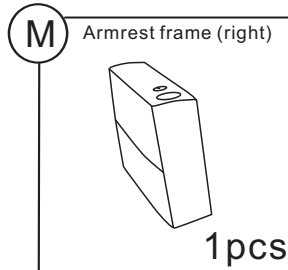
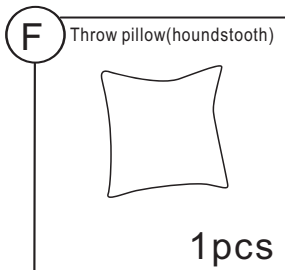


# COMPONENTS






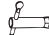
## BOX 3

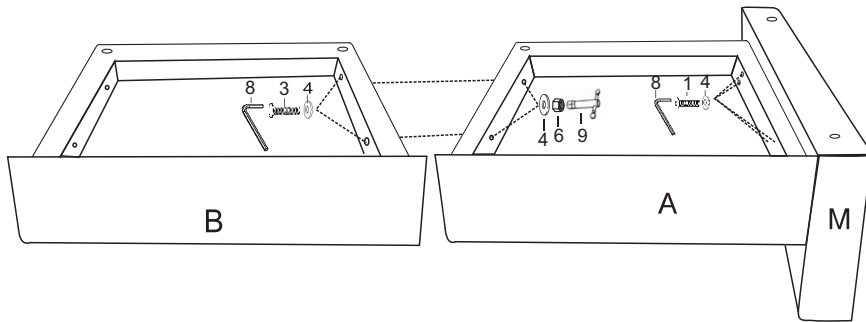


## BOX 4

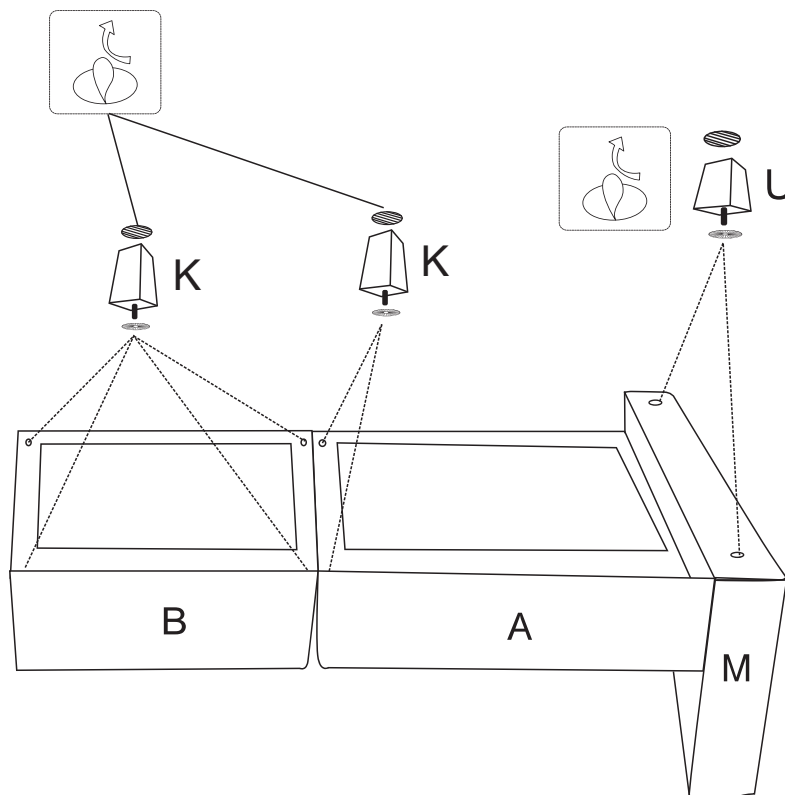


**DIAGRAM 1 (Install the Armrest frame and assemble Seat frames)**  
 Connect the Armrest(Part M) to the Seat frame(Part A) with the Screws M8X35mm(Hardware 1)and the Washers (Hardware 4) by Wrench (Hardware 8).  
 Combination the Seat frames(A&B)with the Screws M8X50mm (Parts3) ,  
 the Washer (Parts4) ,the nuts(Parts 6)by Socket wrench (Parts 9)and Wrench(Parts 8).




1		4pcs
3		2pcs
4		8pcs
6		2pcs
8		1pcs
9		1pcs



**DIAGRAM 2(Assemble the Legs)**  
 Assemble the Seat frames (Part A&B)Legs(Part K),and the Armrest (Part M) Legs(Part U).



Connect the Back frames (Part E ) to Seat frames(Part A&B) with Screws M8x35mm (Hardware1)and Washers (Hardware 4) by Wrench(Hardware8) as shown.Then put Velcro pieces together. Please install the top Screws first, then the bottom Screws. Make sure all the Screws are in the holes before tightening them.

1		8pcs
4		8pcs
8		1pcs

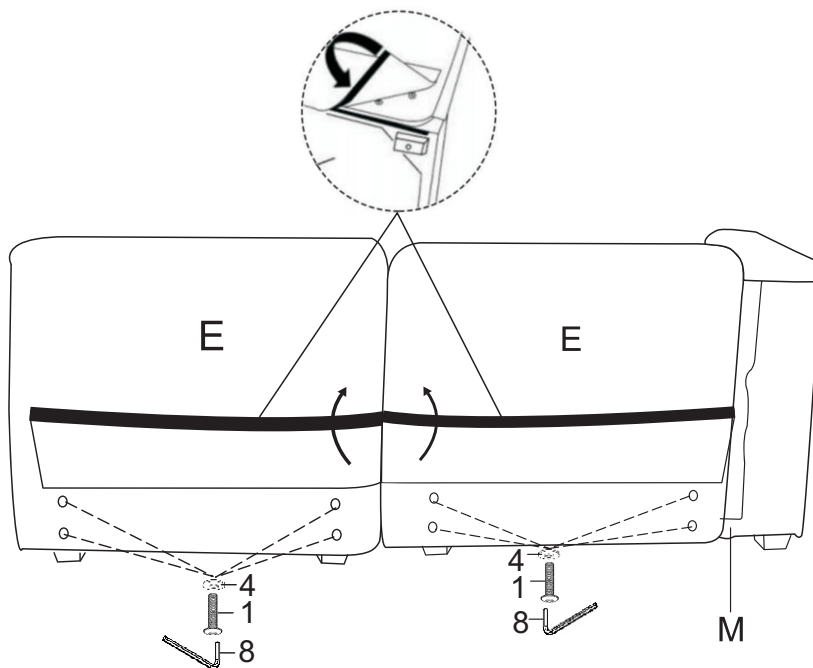








DIAGRAM 3 (Assemble the Back frames)

DIAGRAM 4 (Install the Armrest frame and assemble Seat frames)

Connect the Armrest(Part N) to the Seat frame(Part G) with the Screws M8X35mm (Hardware 1)and the Washers (Hardware 4) by Wrench (Hardware 8).

Combination the Seat frames(D&G)with the Bolts M8X50mm (Parts3) , the Washer (Parts4) ,the nuts(Parts 6)by Socket wrench (Parts 9)and Wrench(Parts 8)

1		4pcs
3		2pcs
4		8pcs
6		2pcs
8		1pcs
9		1pcs

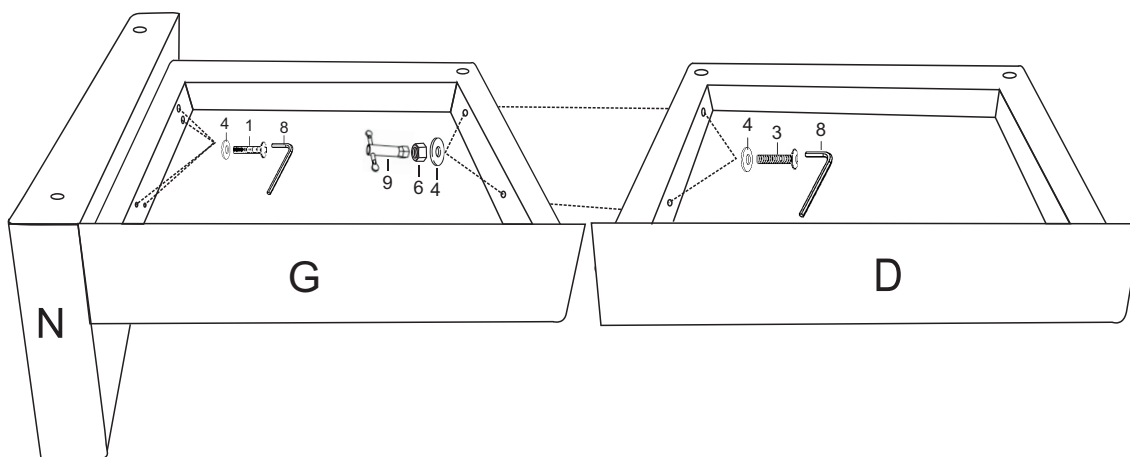


DIAGRAM 5(Assemble the Legs)

Assemble the Seat frames (Part D&G)Legs(Part K),and the Armrest (Part N) Legs(Part U).

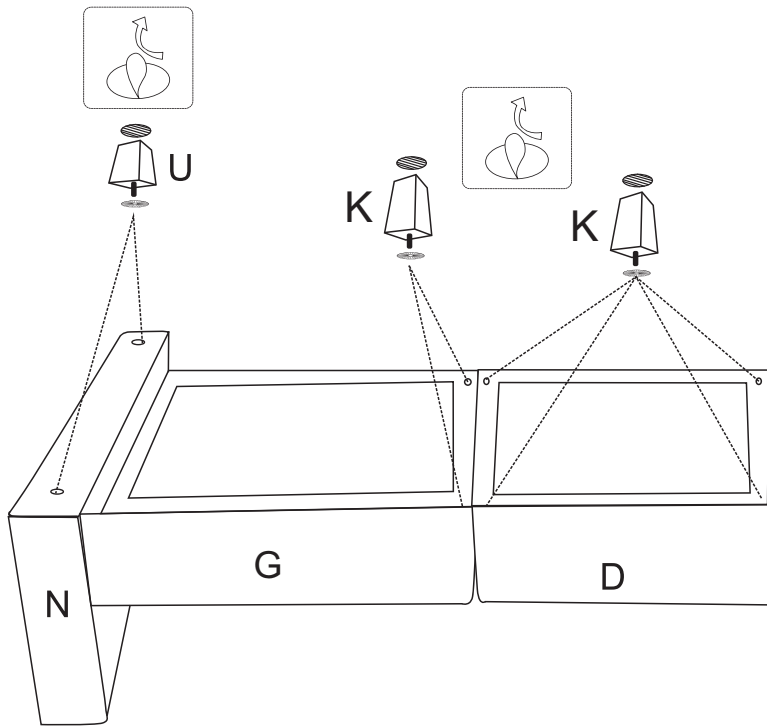





DIAGRAM 6 (Assemble the Back frames)

Connect the Back frames (Part E) to Seat frames(Part D&G) with Screws M8x35mm(Hardware1)and Washers (Hardware 4) by Wrench(Hardware8) as shown. Then put Velcro pieces together. Please install the top Screws first, then the bottom Screws.Make sure all the Screws are in the holes before tightening them.

1		8pcs
4		8pcs
8		1pcs

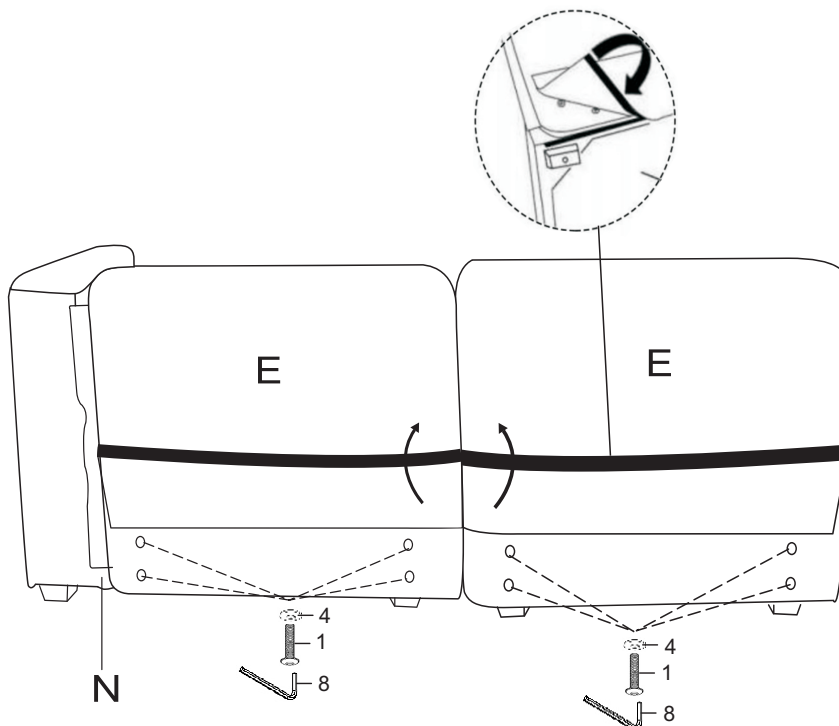


DIAGRAM 7(Assemble the Legs)

Assemble the Corner seat frame (Part C)Legs(Part K),and the Ottoman frame (Part S) Legs(Part U).

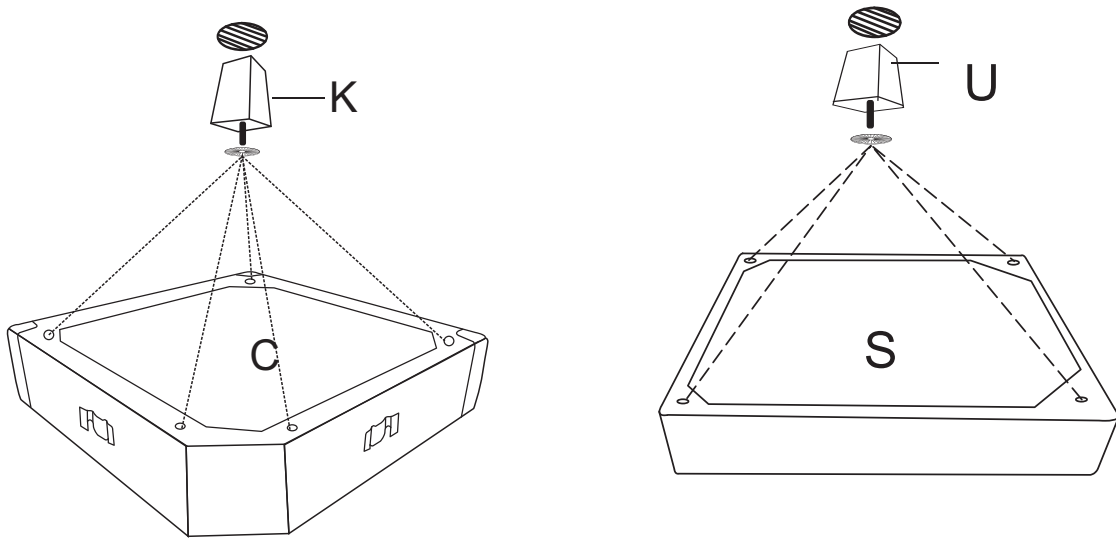





DIAGRAM 8 (Assemble the Back frames)

Connect the Back frames (Part H ) to the Corner seat frame (Part C)with Screws M8x35mm(Hardware 1)and Washers (Hardware 4) by Wrench(Hardware 8) as shown. Then put Velcro pieces together. Please install the top Screws first, then the bottom Screws. Make sure all the Screws are in the holes before tightening them.

1		8pcs
4		8pcs
8		1pcs

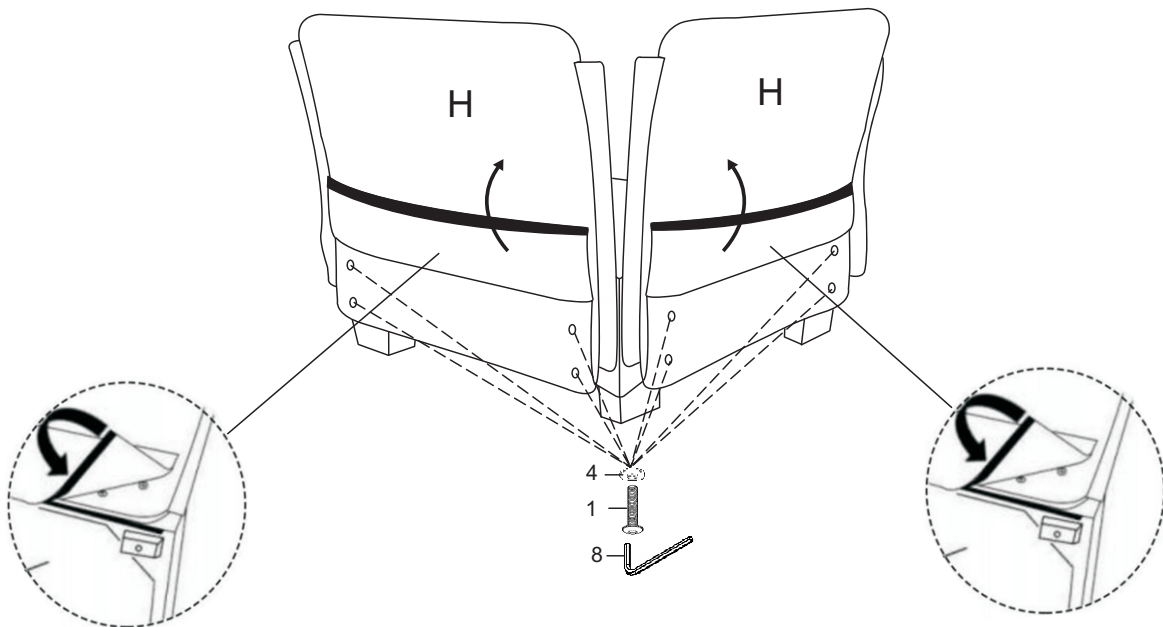


DIAGRAM 9(Assemble all the Seat frames)

Combine seat frames AB&DG and Corner seat frame together through hanging pieces as shown.

DIAGRAM10 (Install side seat backrest )

Fix the Back frames(Parts E & H) and the Seat frames together with Angle iron(Hardware 7)and the Screws M6X15mm(Hardware 2)by Wrench(Hardware 8).

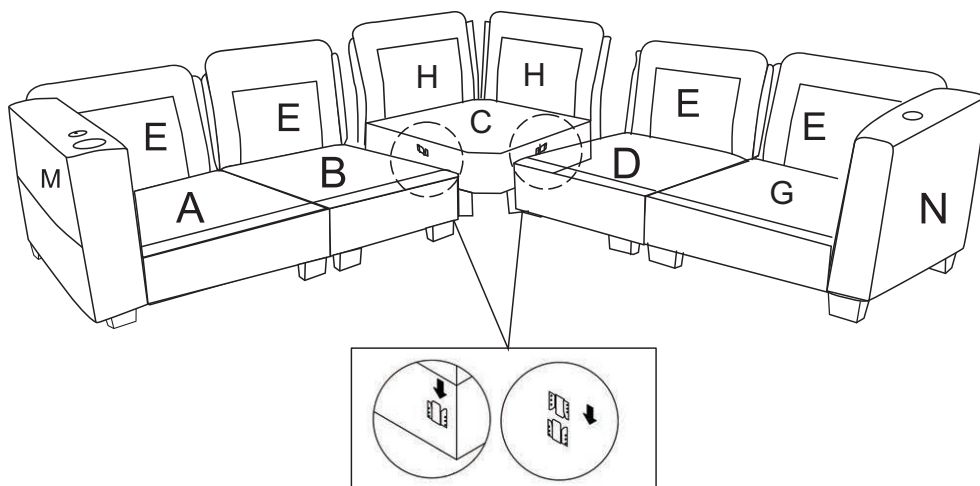


DIAGRAM 11 (Removal of compressed bags)

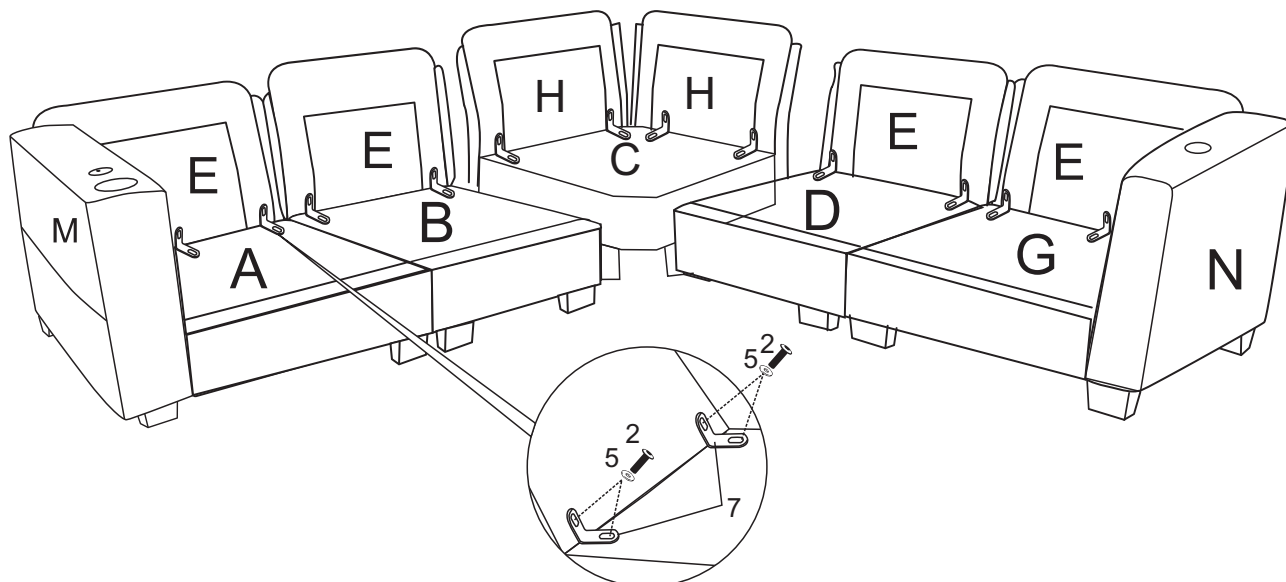
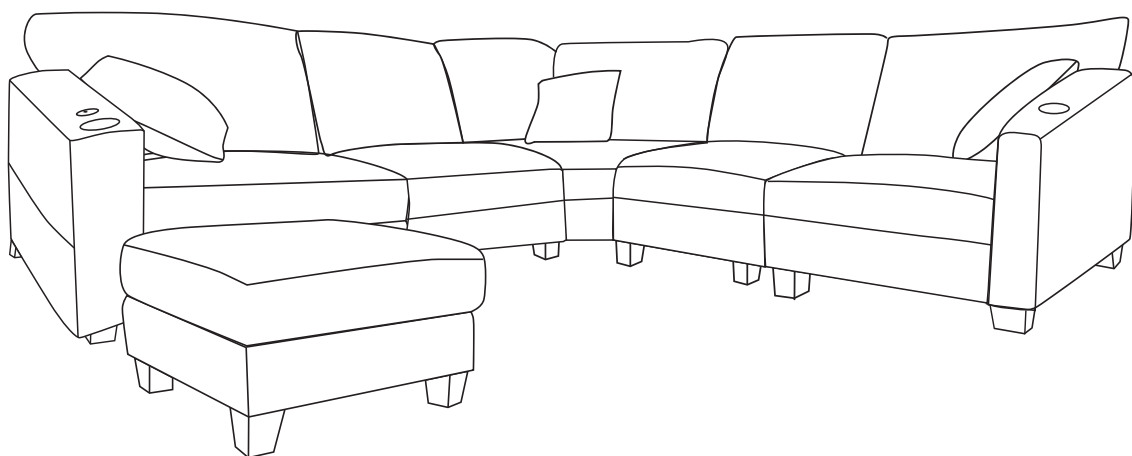
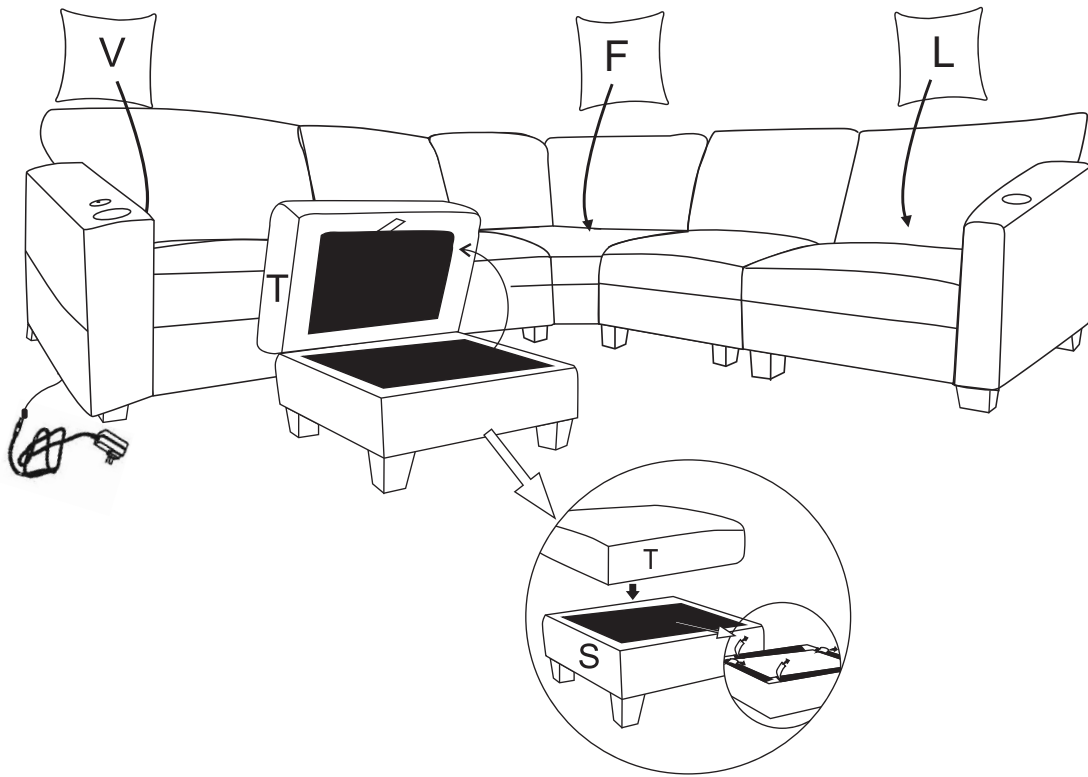




DIAGRAM 13 (Place cushion and pillows on the sofa)  
Put the Ottoman cushion(Part T) and Throw pillows(Part F&L&V) on the sofa.  
Recheck all the bolts before you sit on the sofa.



**COMPLETE**