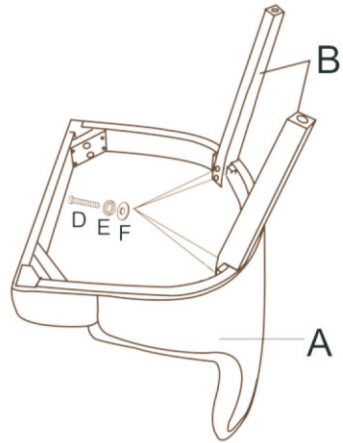


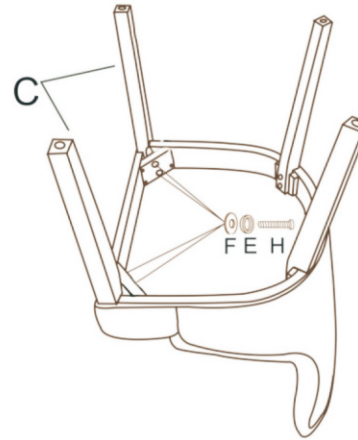
ASSEMBLING INSTRUCTION

1



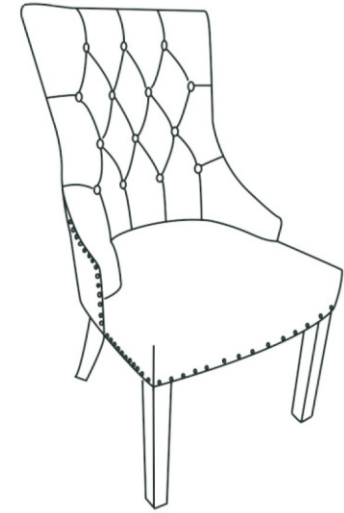
Put the screws in the holes, tight the screws, but not too tight, 90% is ok.

2



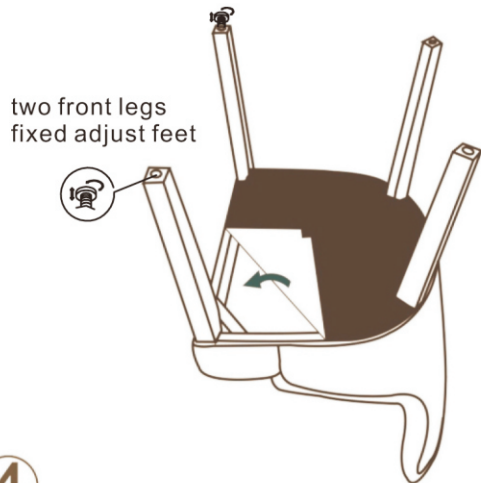
Put the screws in the holes, tight the screws, but not too tight, 90% is ok.

3











Stand the chair upright & ensure it is level before tightening all screws, Then tight all the screws to 100%

4



Stick the black part on the seat

 <p>A</p>	 <p>C</p>	 <p>B</p>		
<p>Back 1PC</p>	<p>Front leg 2PCS</p>	<p>Back leg 2PCS</p>		
<p>D  M8x50mm 4PCS</p>	<p>H  M8x60mm 4PCS</p>	<p>E  8PCS</p>	<p>F  8PCS</p>	<p>G  1PC</p>