

Your total satisfaction is our #1 priority.

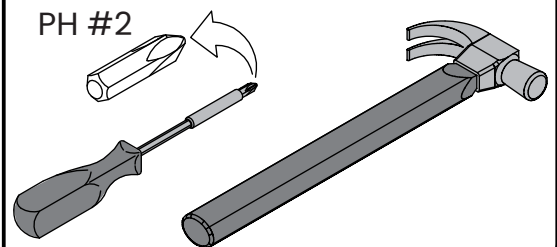
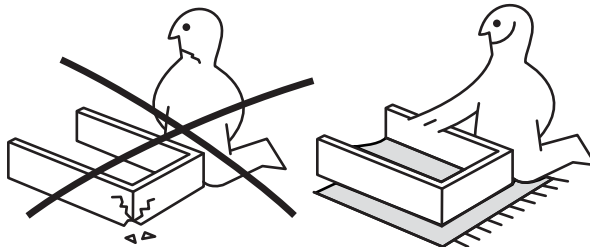
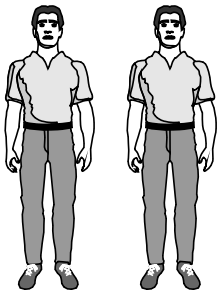
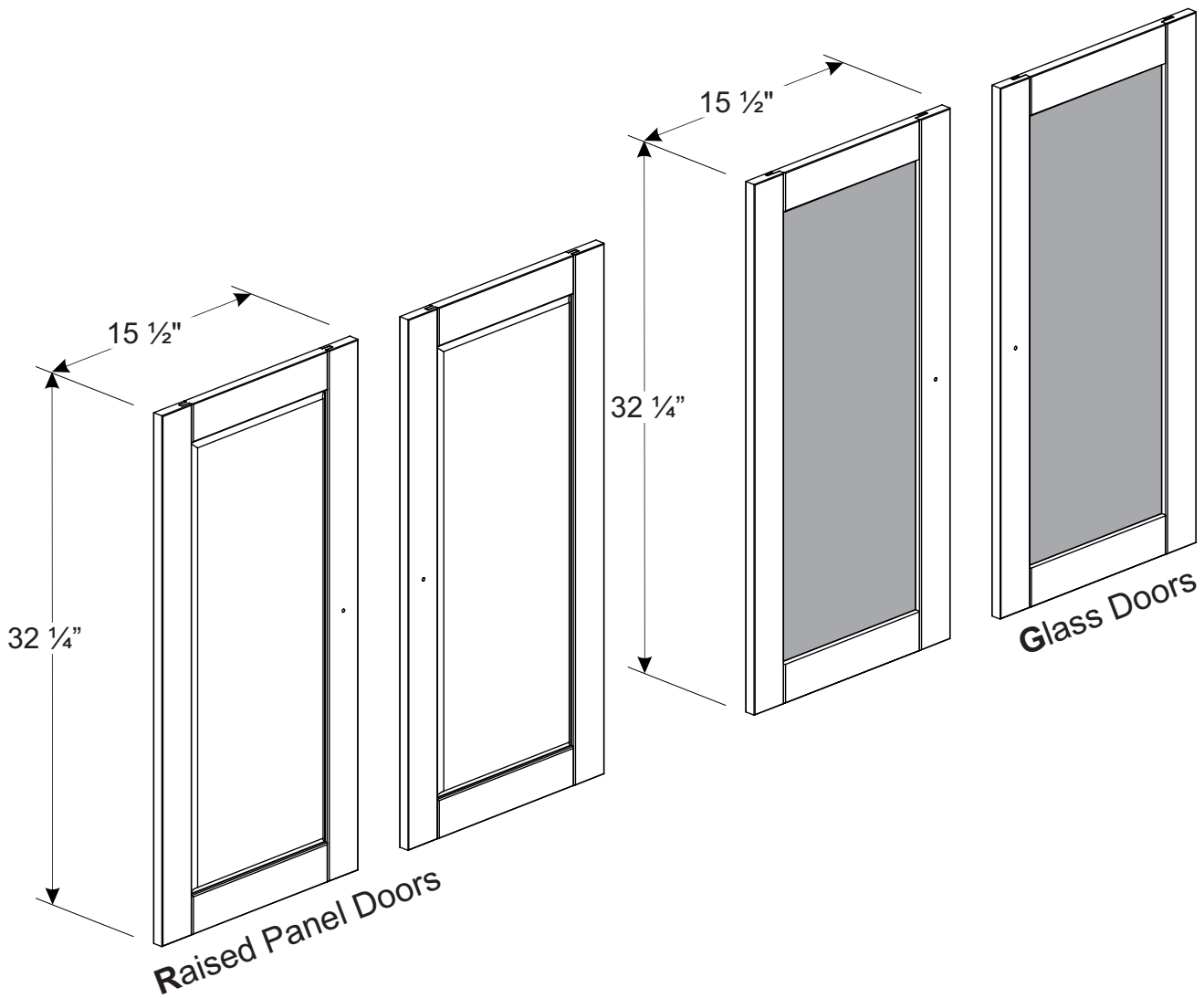
Customer Service and Warranty Information

- Should you have a problem or need more information concerning the warranty, **do not contact the place of purchase.**
- We are warranted to the original purchaser against defects in material or workmanship in the furniture. Defects as mentioned in this warranty refer to any imperfections which may impair the use of the product. Our warranty is expressly limited to the replacement of furniture parts and components for one year following the date of purchase.
- This will replace any part that is defective. This warranty applies under conditions of normal use. Our furniture products are not intended for outdoor use. The warranty does not cover defects caused by improper assembly or disassembly, defects occurring after purchase due to product modifications, intentional damage, accident, misuse, exposure to the elements and labor or assembly costs.
- Our reserves the right to request proof of purchase to document a warranty claim. In no event shall be liable for incidental or consequent damages resulting from the misuse of the product.

ASSEMBLY GUIDE

2 PANTRY DOORS

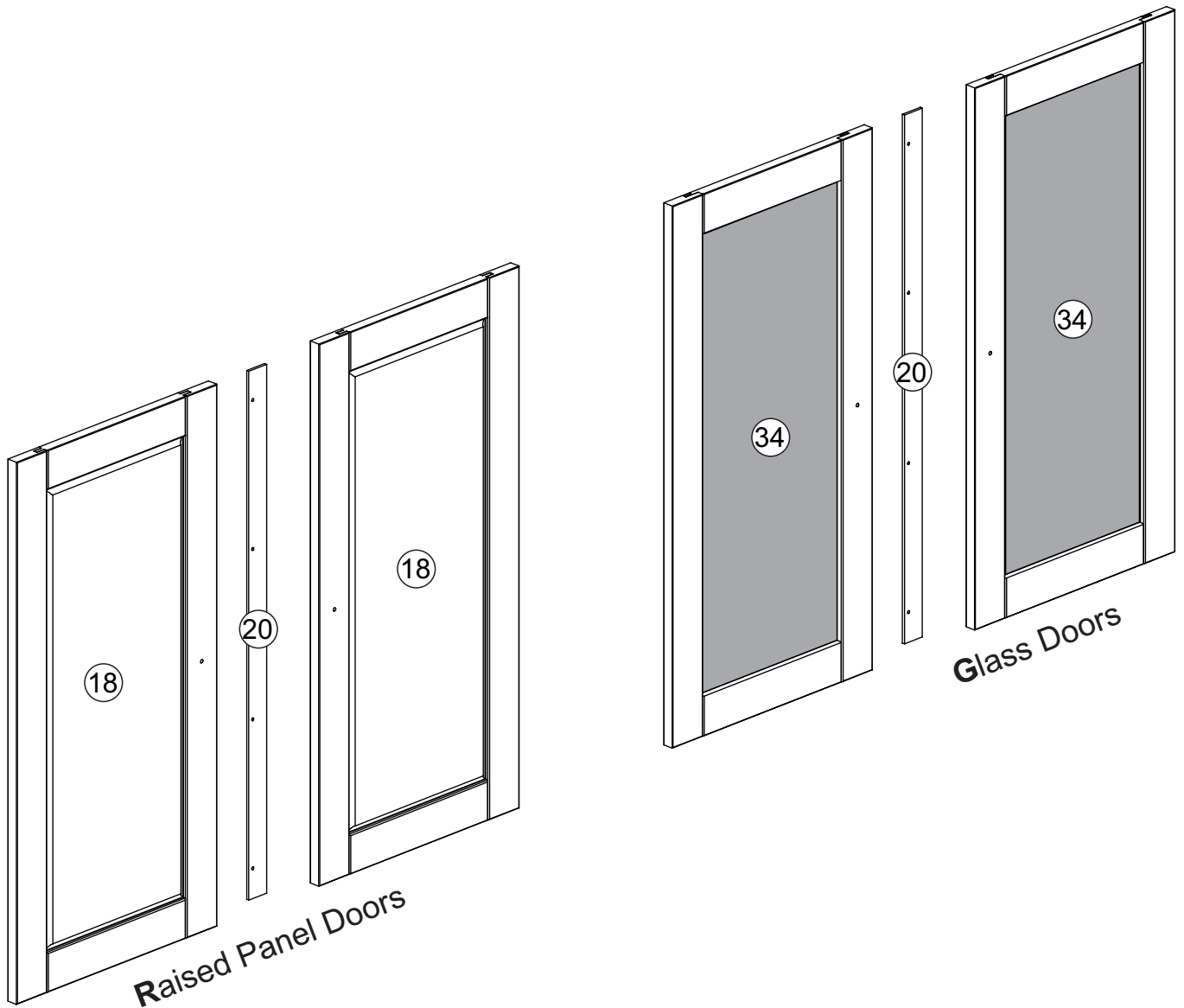
(GLASS OR RAISED PANEL)




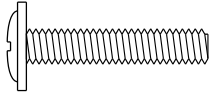
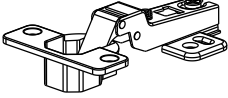

PRE-ASSEMBLY PREPARATION

- Please check the contents before assembling. A full checklist of parts is provided below.
- If any parts are missing or damaged
- Assemble on a flat, smooth surface on top of a blanket.
- Use only low-speed power drill setting.
- Assemble as near as possible to the point of use.
- The hardware pack contains SMALL ITEMS which should be KEPT AWAY FROM YOUNG CHILDREN.

PARTS DIAGRAM



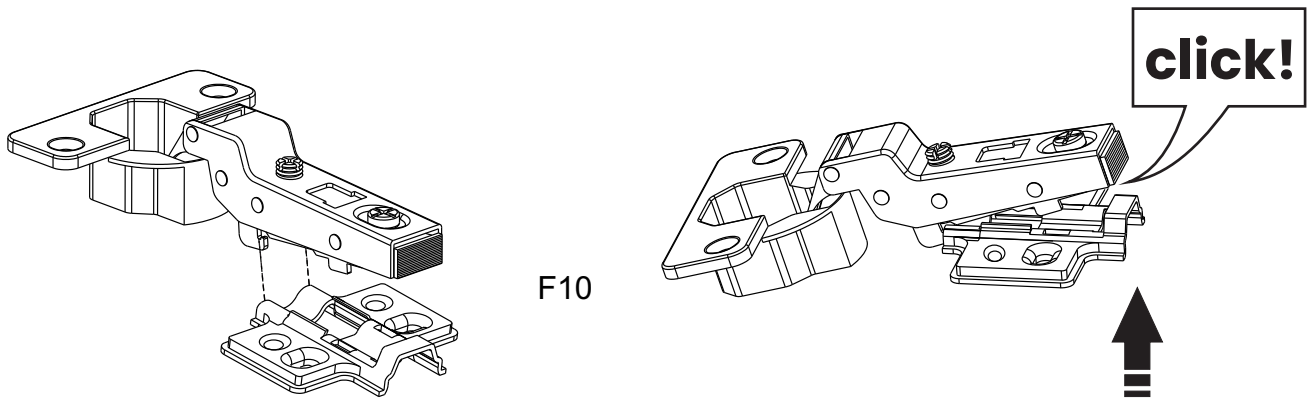
SCREWS ARE SHOWN IN ACTUAL SIZE

A44	 <small>3,5x14</small>	20+1
A25	 <small>M4x25</small>	02+1
F10		04
H4		02

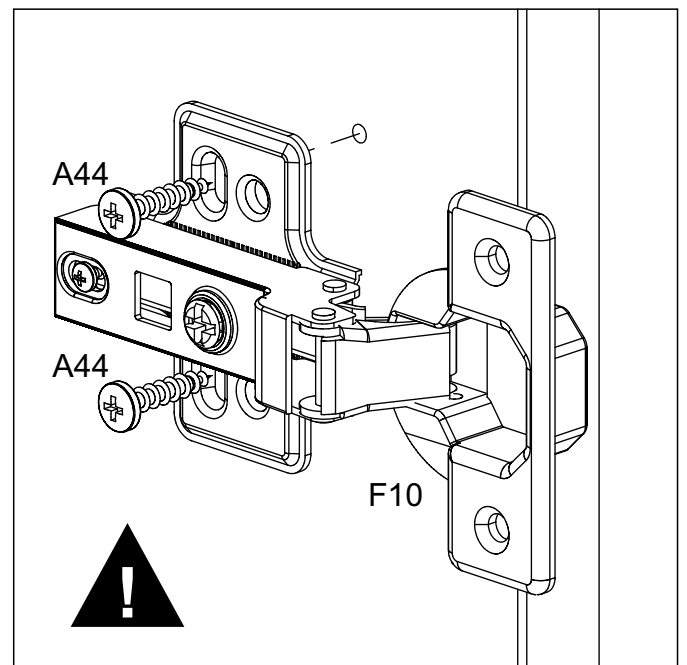
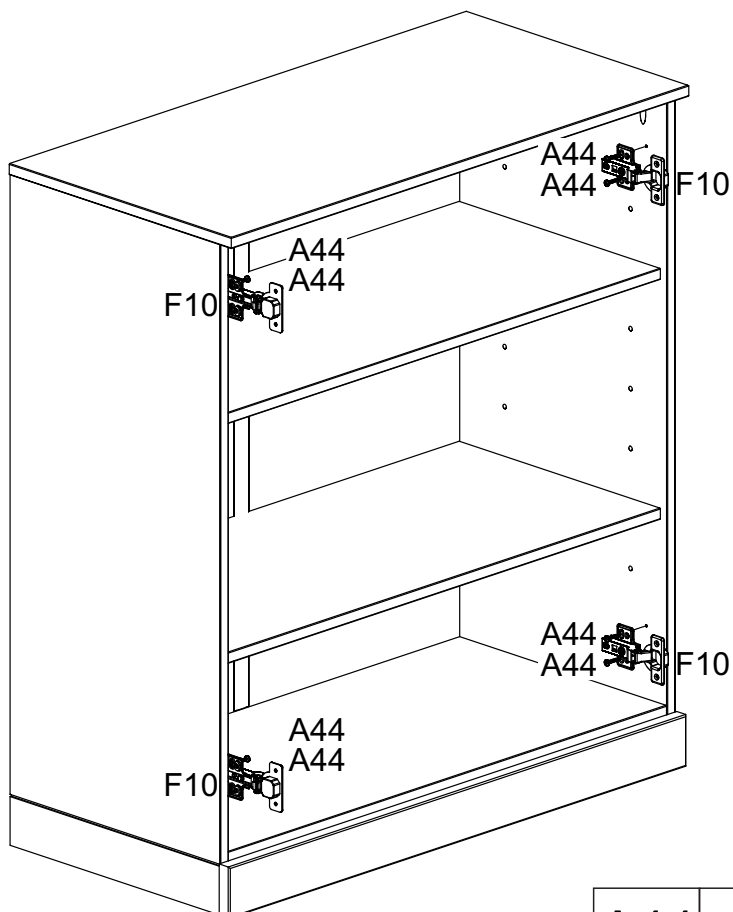

WARNING:
CHOKING HAZARD
 Small Parts.
 Adult Supervision Required.
 Not for children under 3 years old.

01)

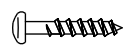
Attach hinge (F10) to hinge plate if it comes separated.
Push hinge against plate until it clicks.



02)



A44



3,5x14

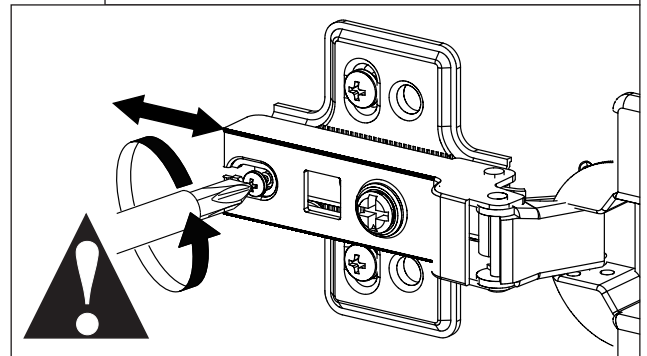
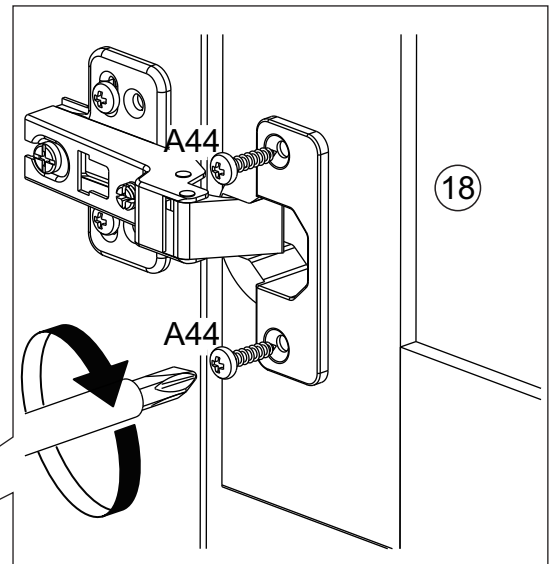
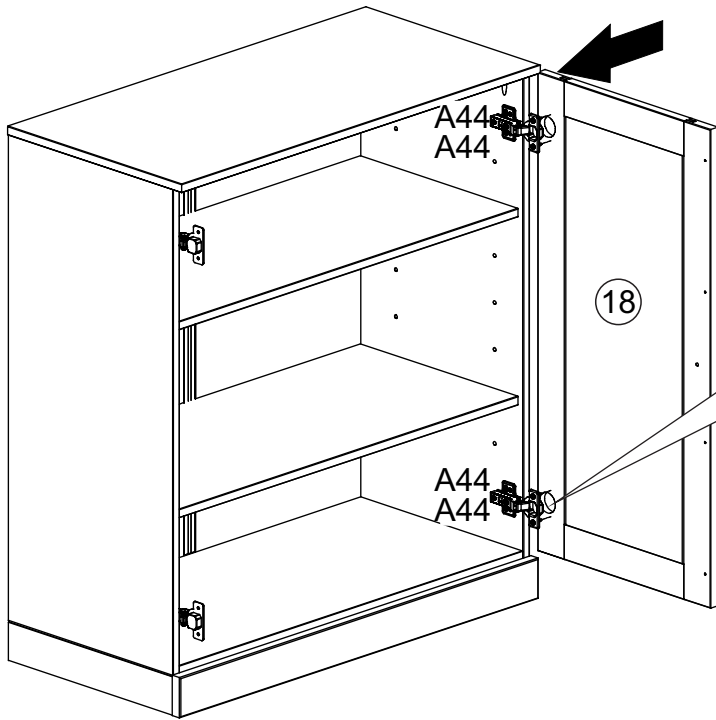
08

F10



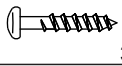
04

03) Right raised panel door.



It might be necessary to adjust the hinges (F10) first before installing the door.

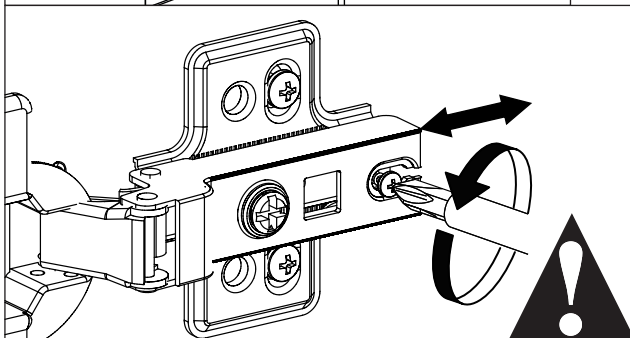
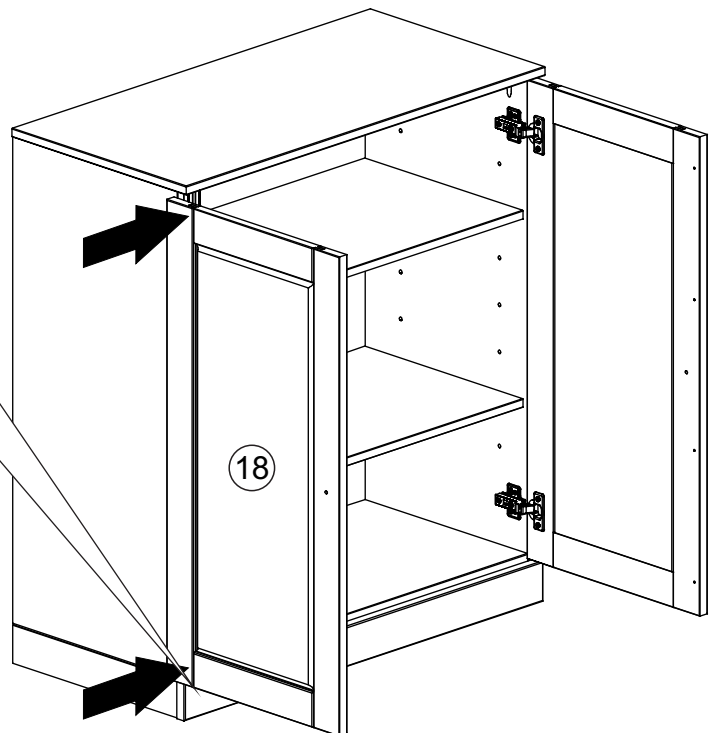
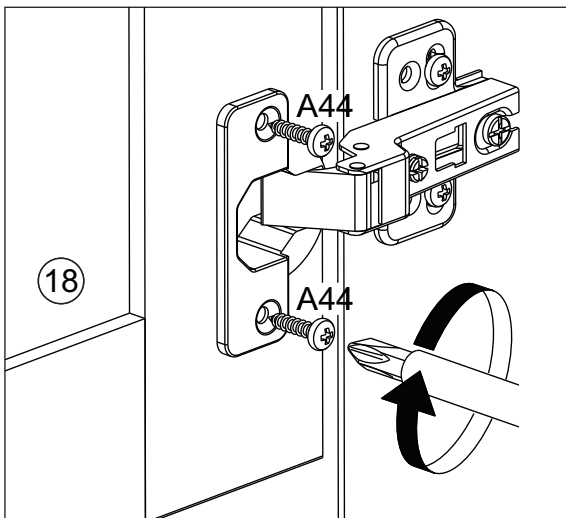
A44



3,5x14

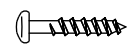
04

04) Left raised panel door.



It might be necessary to adjust the hinges (F10) first before installing the door.

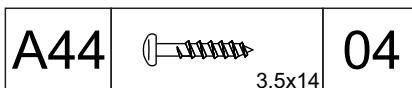
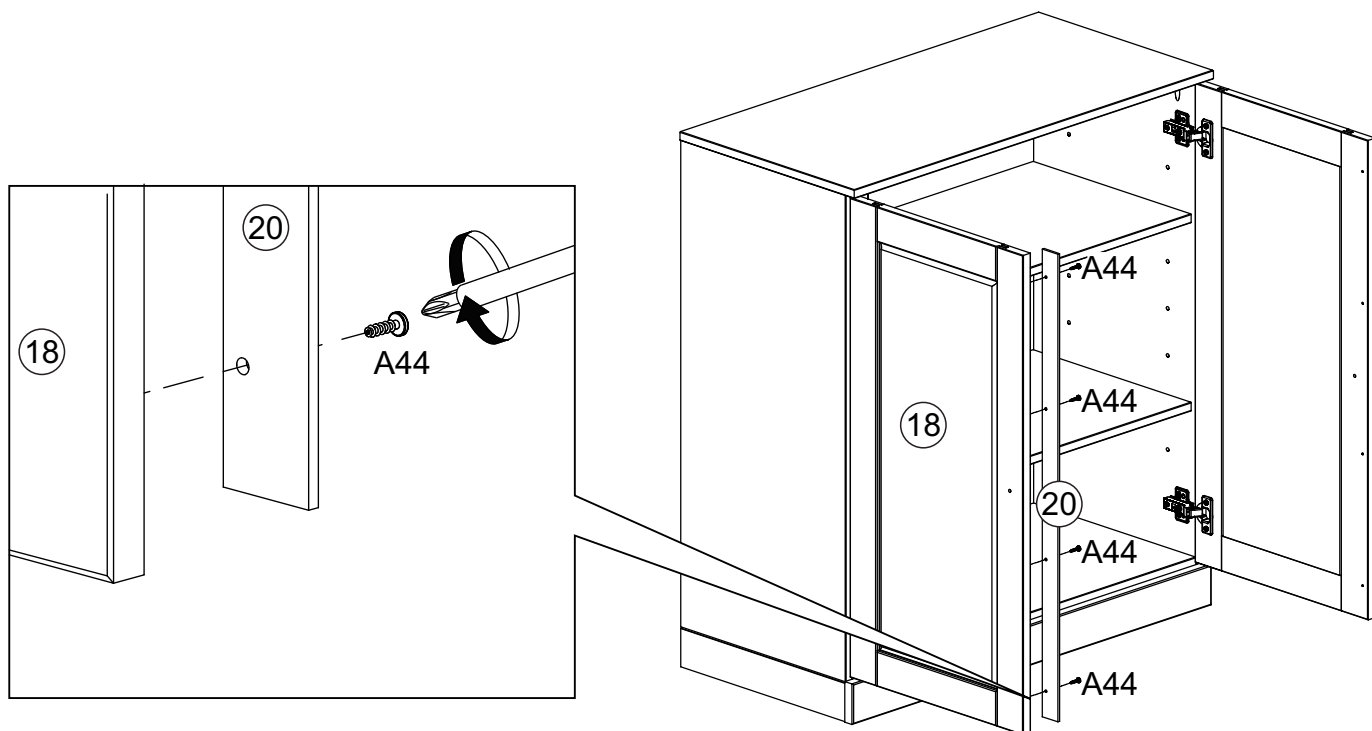
A44



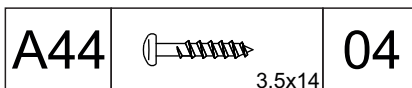
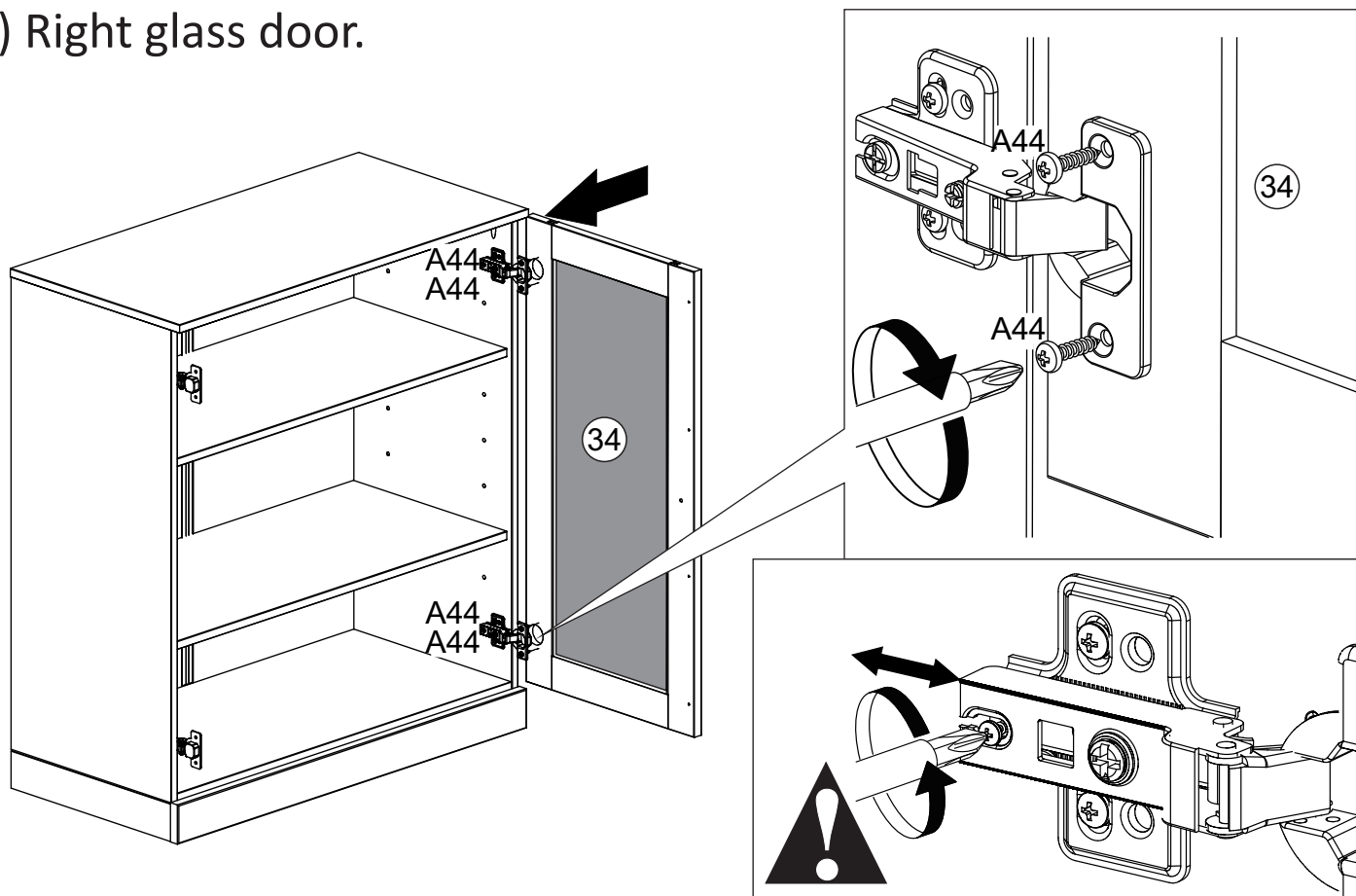
3,5x14

04

05) Left raised panel door.

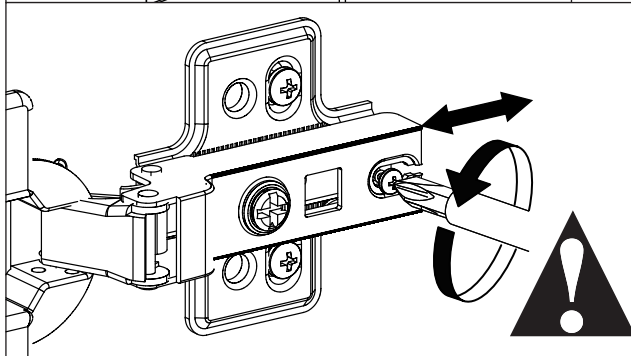
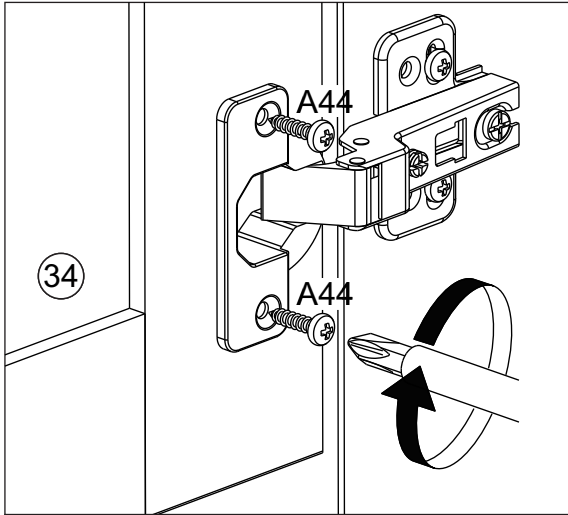


03) Right glass door.

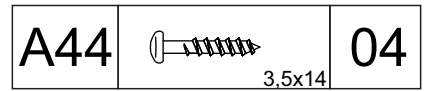
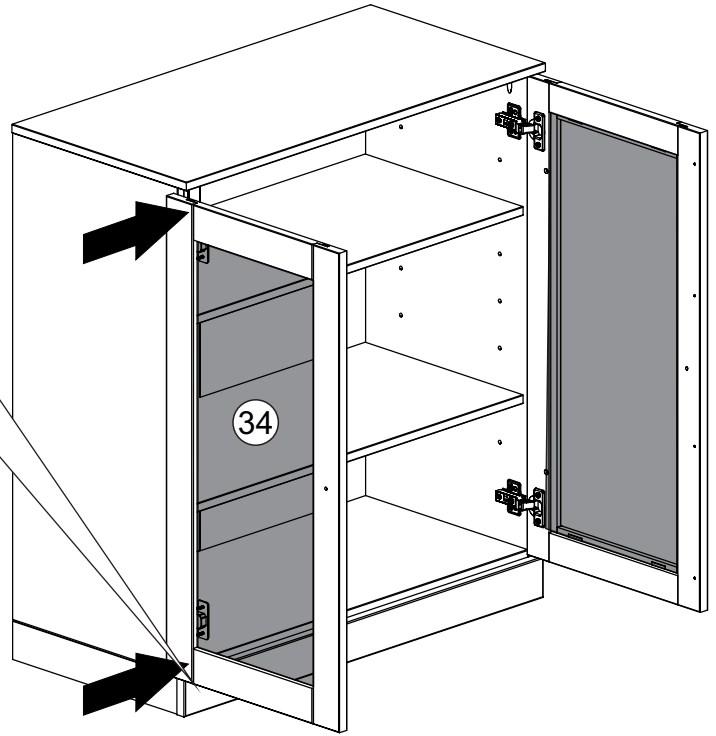


It might be necessary to adjust the hinges (F10) first before installing the door.

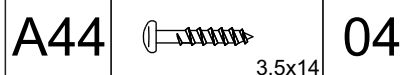
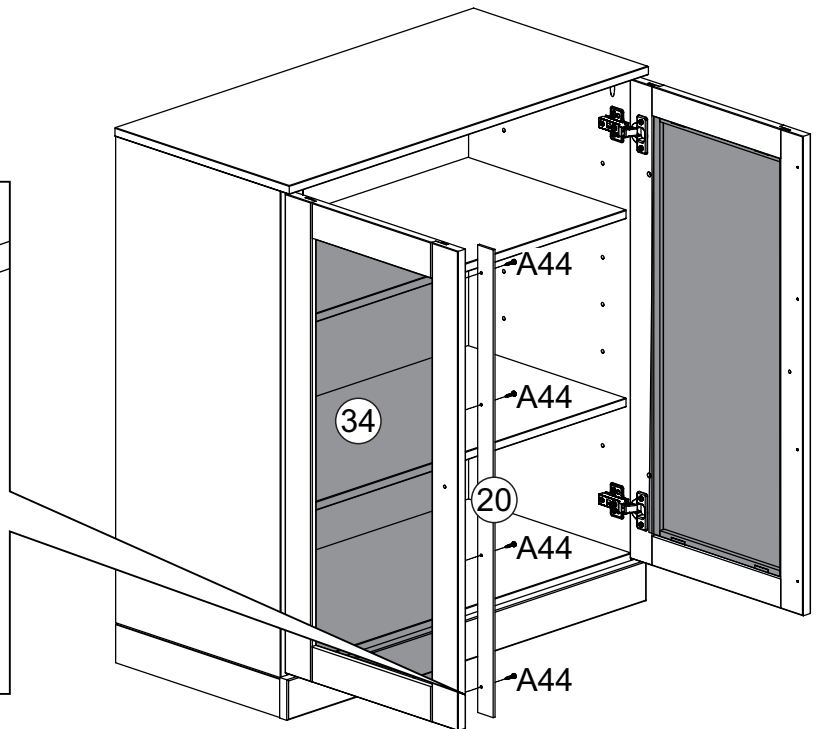
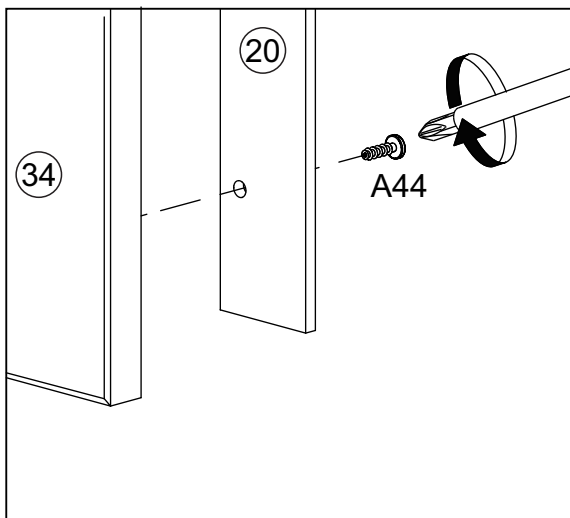
04) Left glass door.



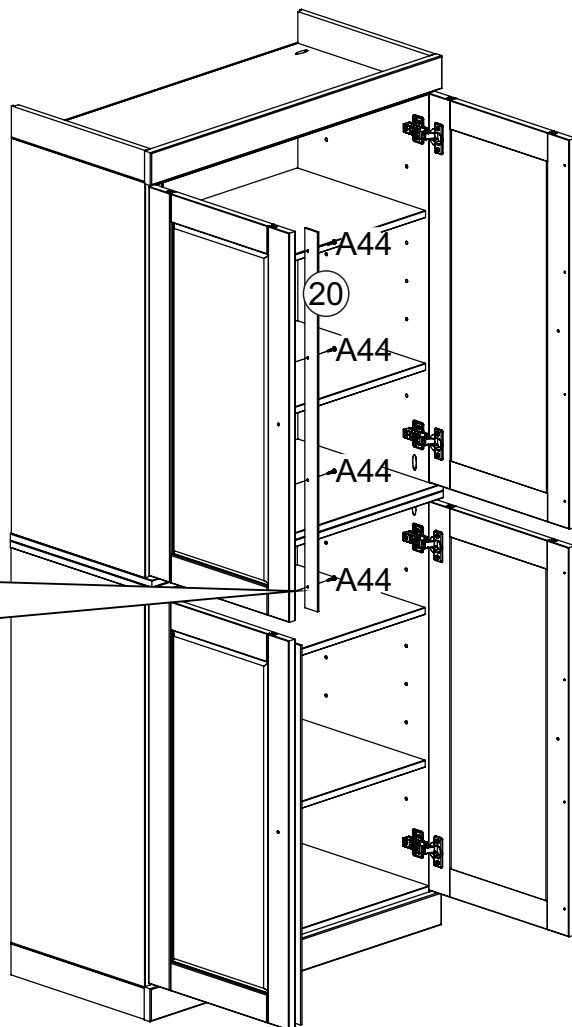
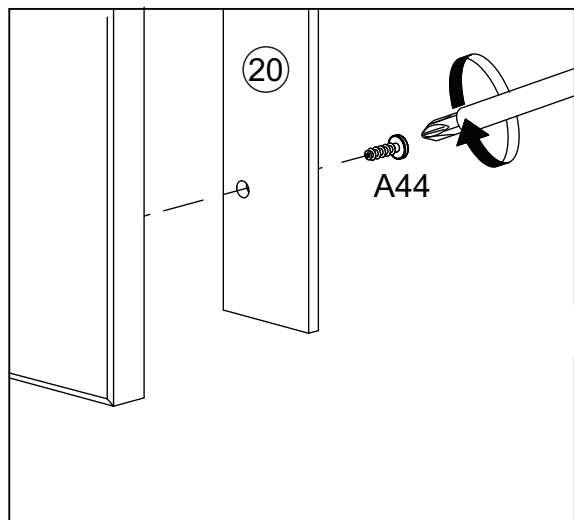
It might be necessary to adjust the hinges (F10) first before installing the door.

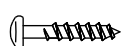


05) Left glass door.

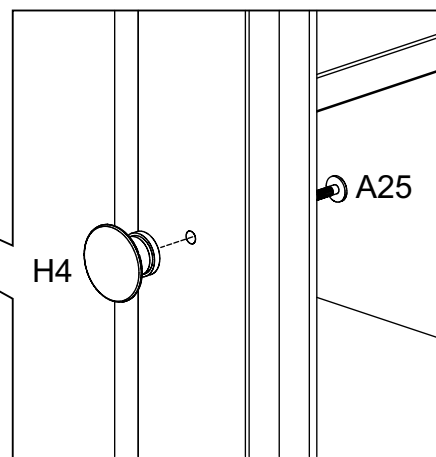
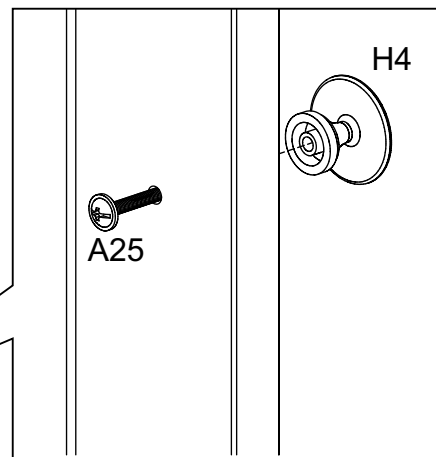
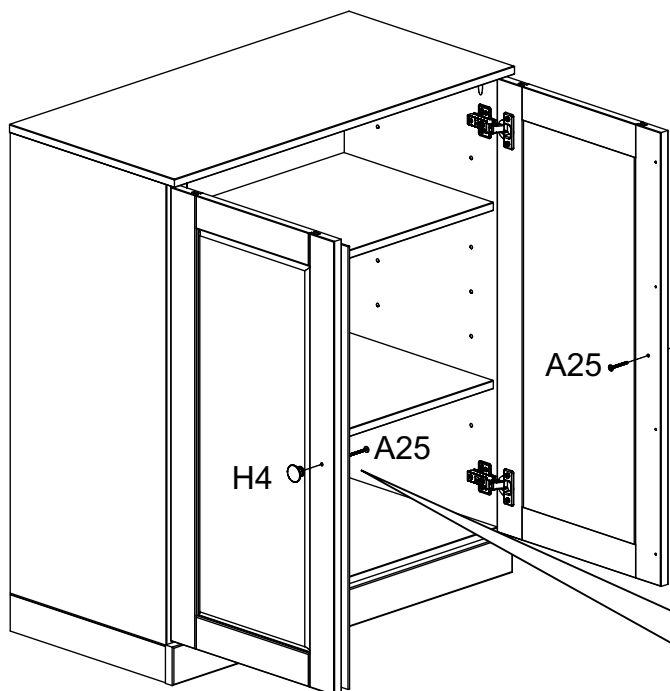




05) 2-cabinet option:



A44	 <small>3,5x14</small>	04
-----	--	----

06)



A25	 <small>M4x25</small>	02	H4		02
-----	---	----	----	---	----

07) HINGE ADJUSTMENT GUIDE.

