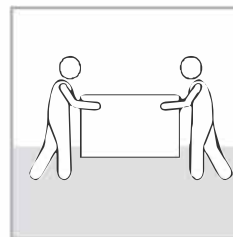
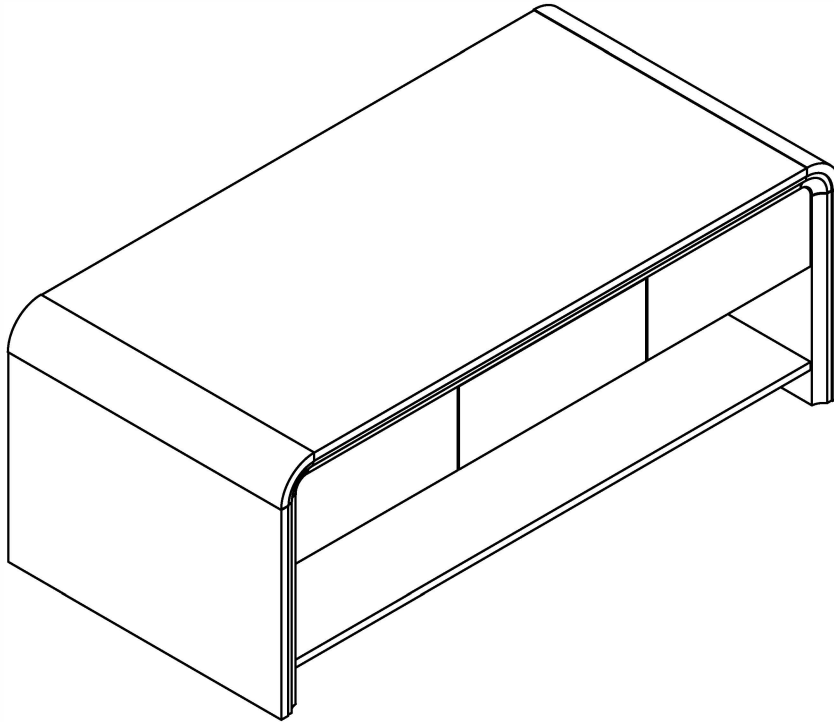
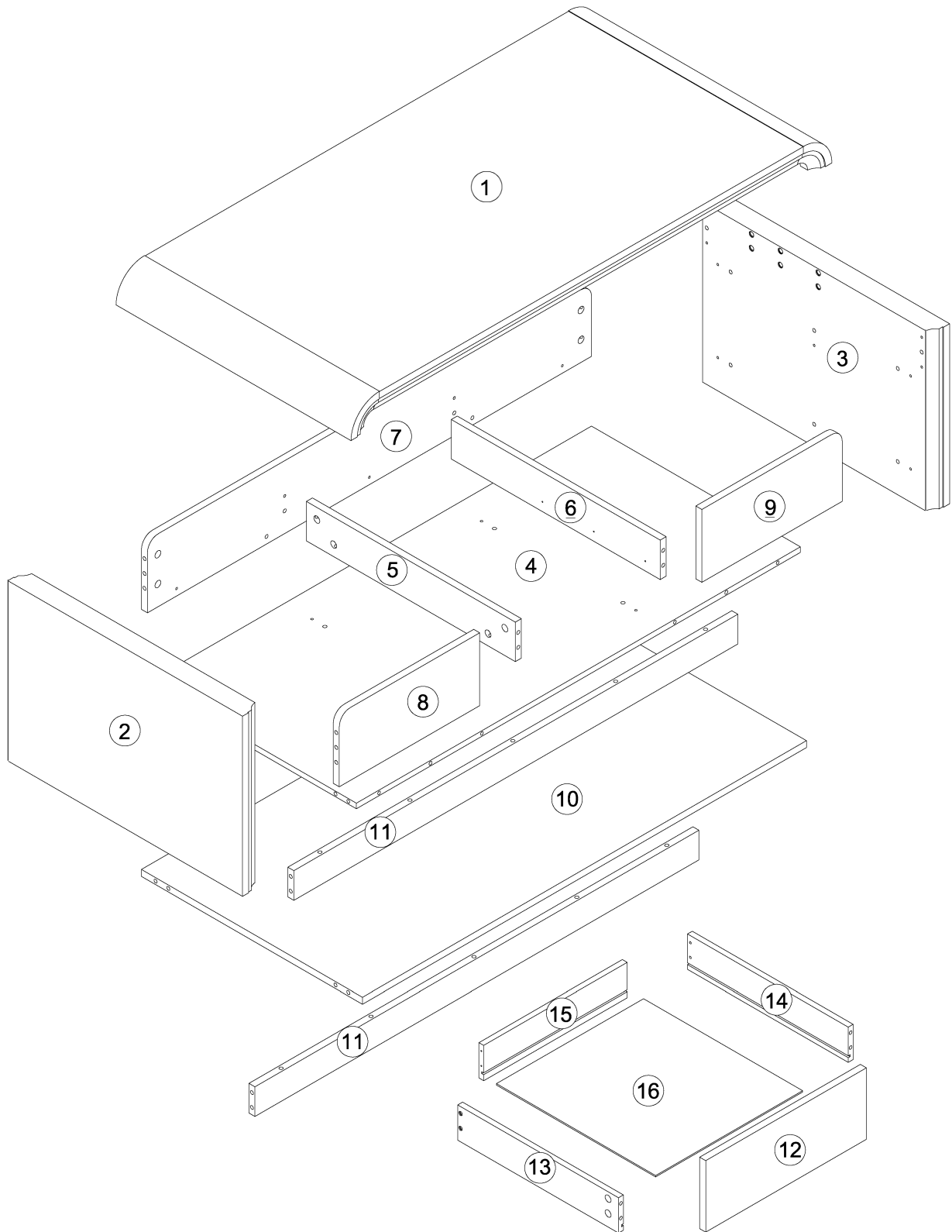


ASSEMBLY INSTRUCTIONS



Please contact us if you have any questions! If your products has damages, missing parts, problems with installation and use, or you are not 100% satisfied with our products, please contact us!



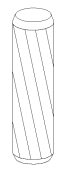
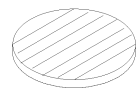
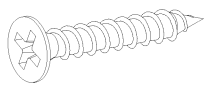
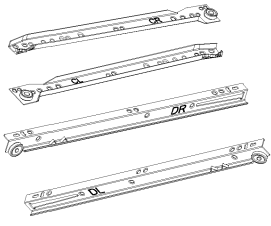

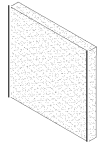
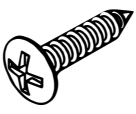
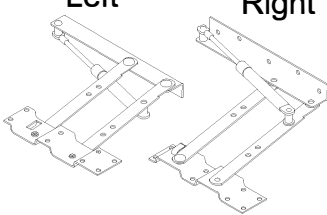
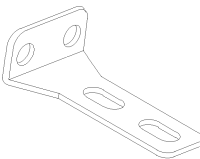
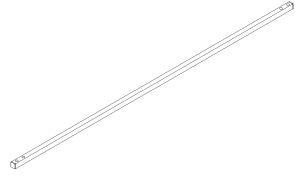
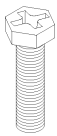
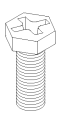
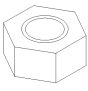
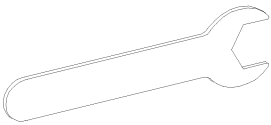
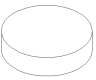

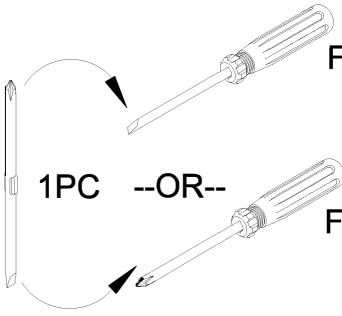
PACKAGE INCLUDE



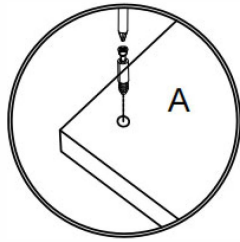
PACKAGE INCLUDE

| CODE | DESCRIPTION | QTY |
|------|------------------------|-----|
| 1 | Top Panel | 1 |
| 2 | Left side panel | 1 |
| 3 | Right side panel | 1 |
| 4 | Shelf board | 1 |
| 5 | Left middle partition | 1 |
| 6 | Right middle partition | 1 |
| 7 | Back plane | 1 |
| 8 | Left front panel | 1 |
| 9 | Right front panel | 1 |
| 10 | Base plate | 1 |
| 11 | Stretching strip | 2 |
| 12 | Pull panel | 1 |
| 13 | Left side panel | 1 |
| 14 | Right side panel | 1 |
| 15 | Tail board | 1 |
| 16 | Drawer bottom plate | 1 |

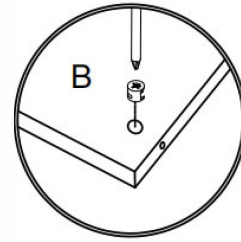
PACKAGE CONTENT

| | | | |
|--|---|--|--|
| <p>L=25MM</p>  <p>(A) 45x+3</p> | <p>Ø15x9MM</p>  <p>(B) 45x+3</p> | <p>Ø8x30MM</p>  <p>(C) 32x+3</p> | <p>Ø23MM</p>  <p>(D) 45x+3</p> |
| <p>Ø4x30MM</p>  <p>(E) 4x</p> | <p>(F) 1x</p>  | <p>Ø3.5x12MM</p>  <p>(G) 12x+1</p> | <p>L=30*30*3MM</p>  <p>(H) 6x</p> |
| <p>Ø5x14MM</p>  <p>(I) 6x</p> | <p>Left Right</p>  <p>(J) 1x</p> | <p>(K) 2x</p>  | <p>(L) 1x</p>  |
| <p>M6x25MM</p>  <p>(M) 4x</p> | <p>M6x12MM</p>  <p>(N) 16x+1</p> | <p>(O) 8x</p>  | <p>(P) 1x</p>  |
| <p>(Q) 6x</p>  | <p>M4x12MM</p>  <p>(R) 4x</p> | <p>1PC --OR--</p>  <p>Fig.2 Fig.1</p> | |

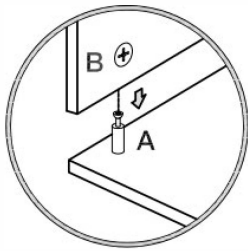
How to use the cam lock system



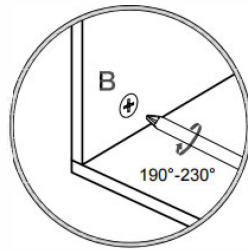
1. Screw cam bolt into panel



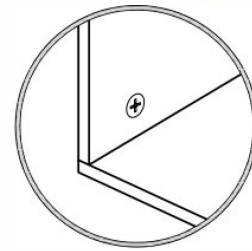
2. Push cam into panel - arrow feature on cam top points to panel edge



3. Align cam bolt(s) with cam(s) and insert all the way into cross-bored hole(s)

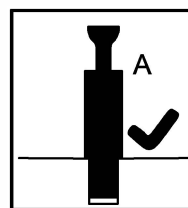
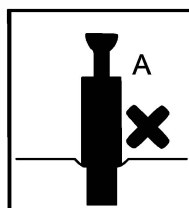
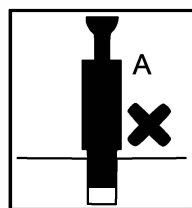
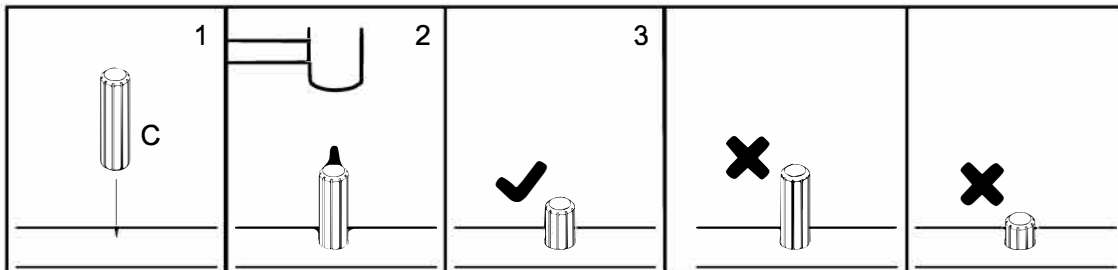


4. Rotate cam(s) clockwise 190°-230° to lock panels together



5. Panels should be tight against each other and connection should be rigid

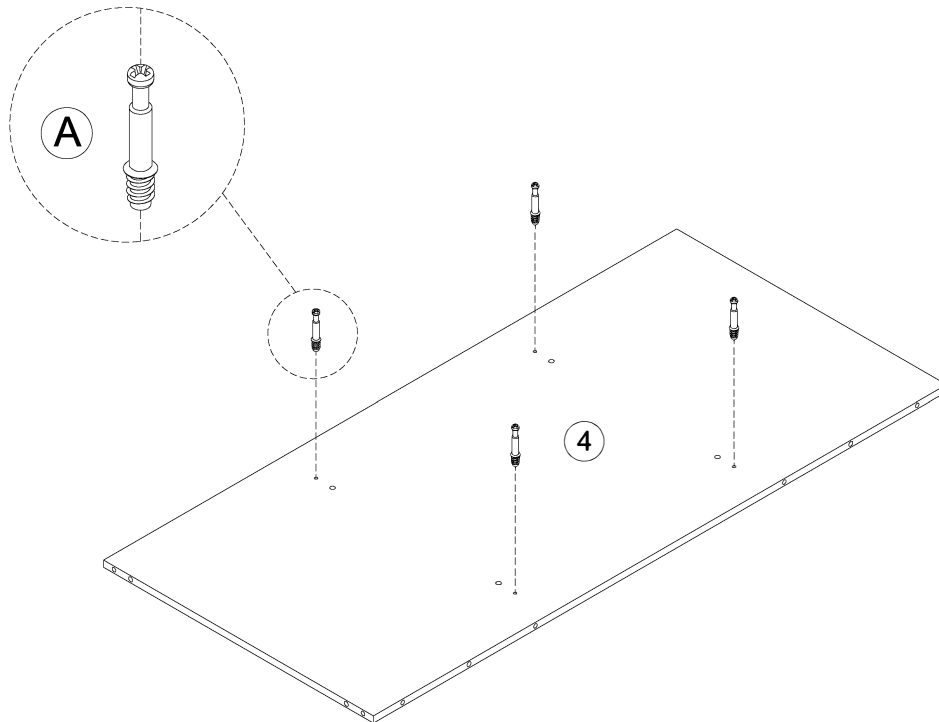
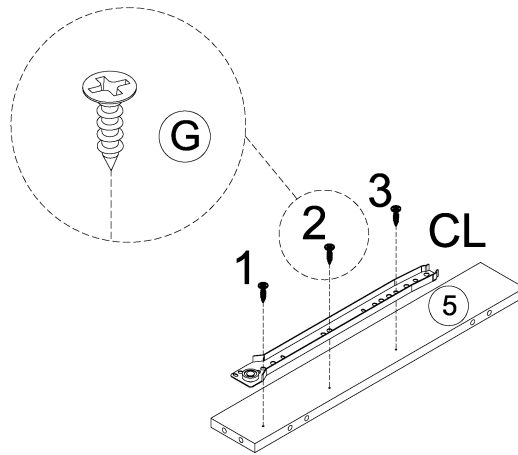
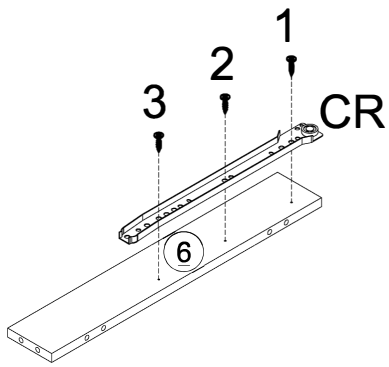
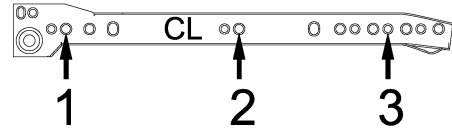
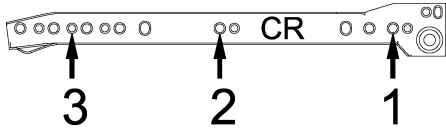
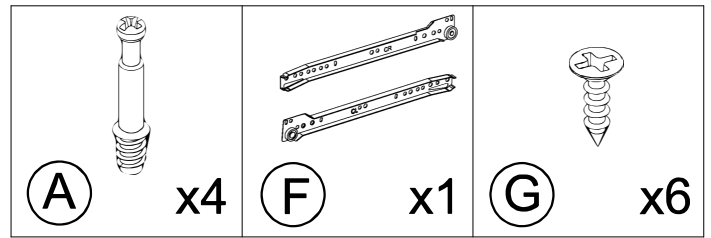
Insert the wood dowel (C) at least half way by tapping lightly with a rubber mallet, IT NECESSARY.



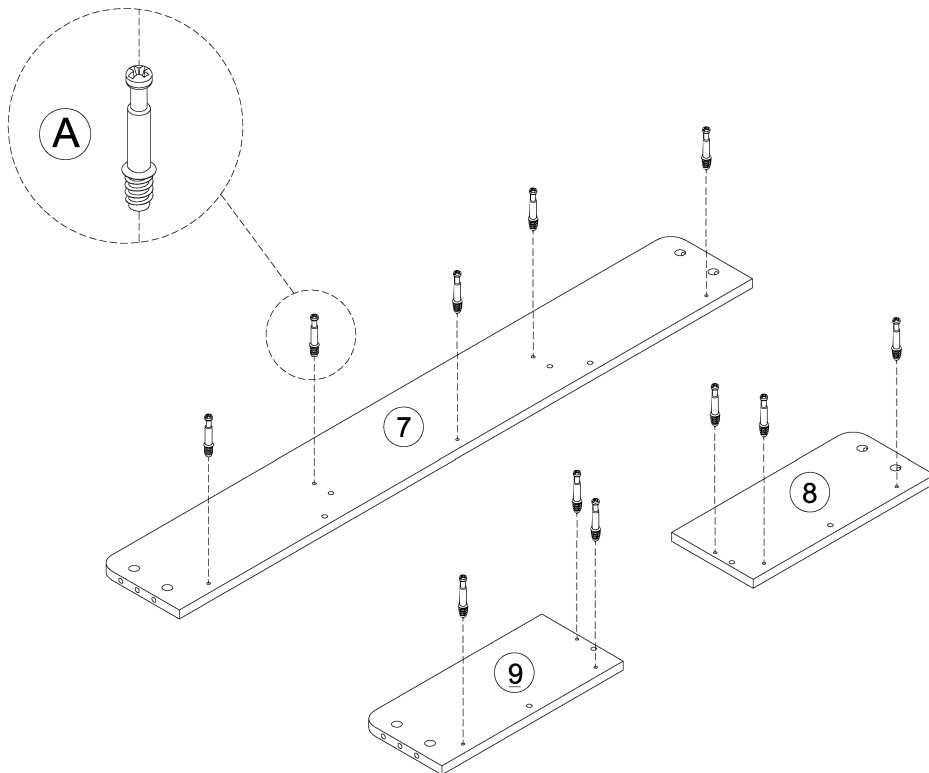
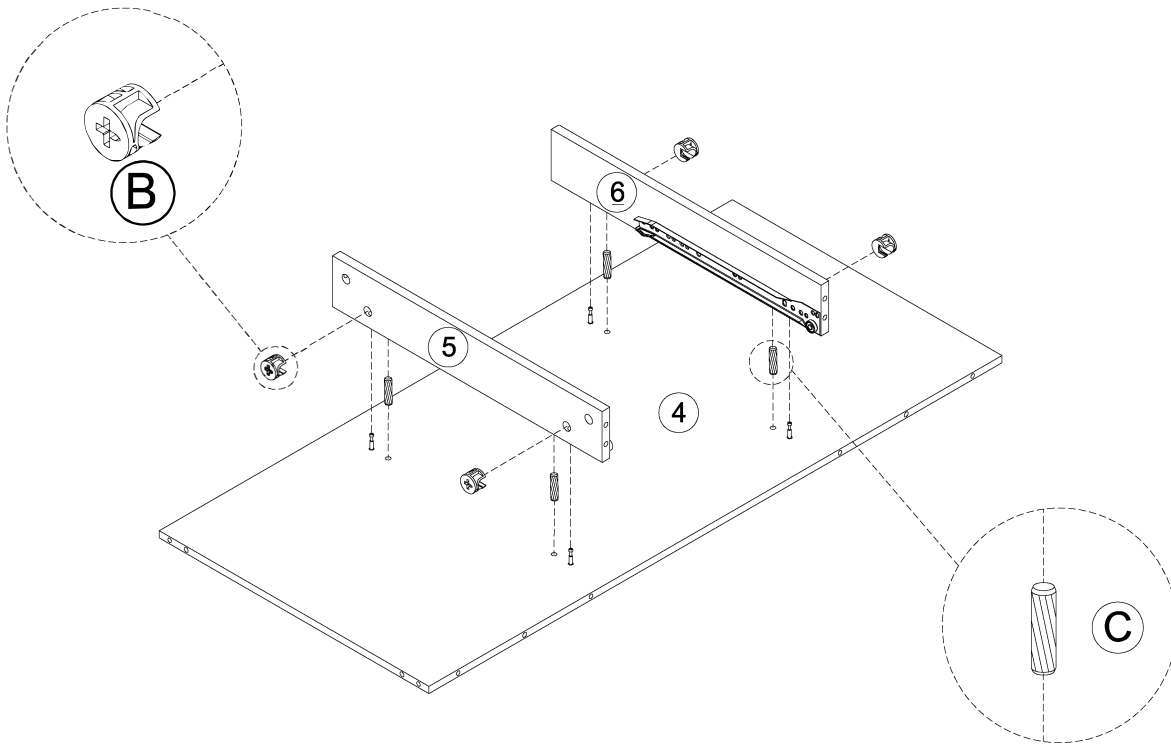
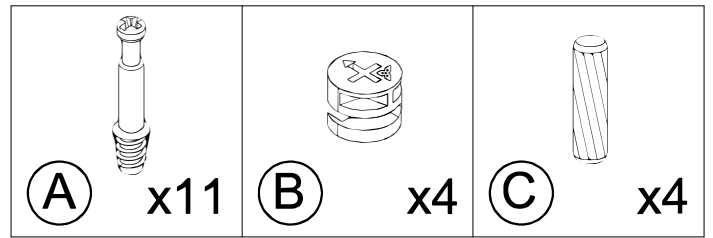
WARNING

- Unit must be placed on a level surface or leveled with included hardware (when applicable).
- Do not sit or stand on or allow children to climb, sit or stand on the assembled product.
- For safety reasons, it is imperative that this unit be mounted to the wall.
- Do not use without installing the tip restraint.
- Unit can tip over causing severe injury or death.
- Do not exceed the recommended weight limits.
- Evenly distribute the weight on each level and always keep the heavier loads on the bottom.
- Before cutting, drilling or hammering into any wall or floor surface, verify the location of electrical, plumbing and gas lines. Cutting may cause serious injury.

STEP 1



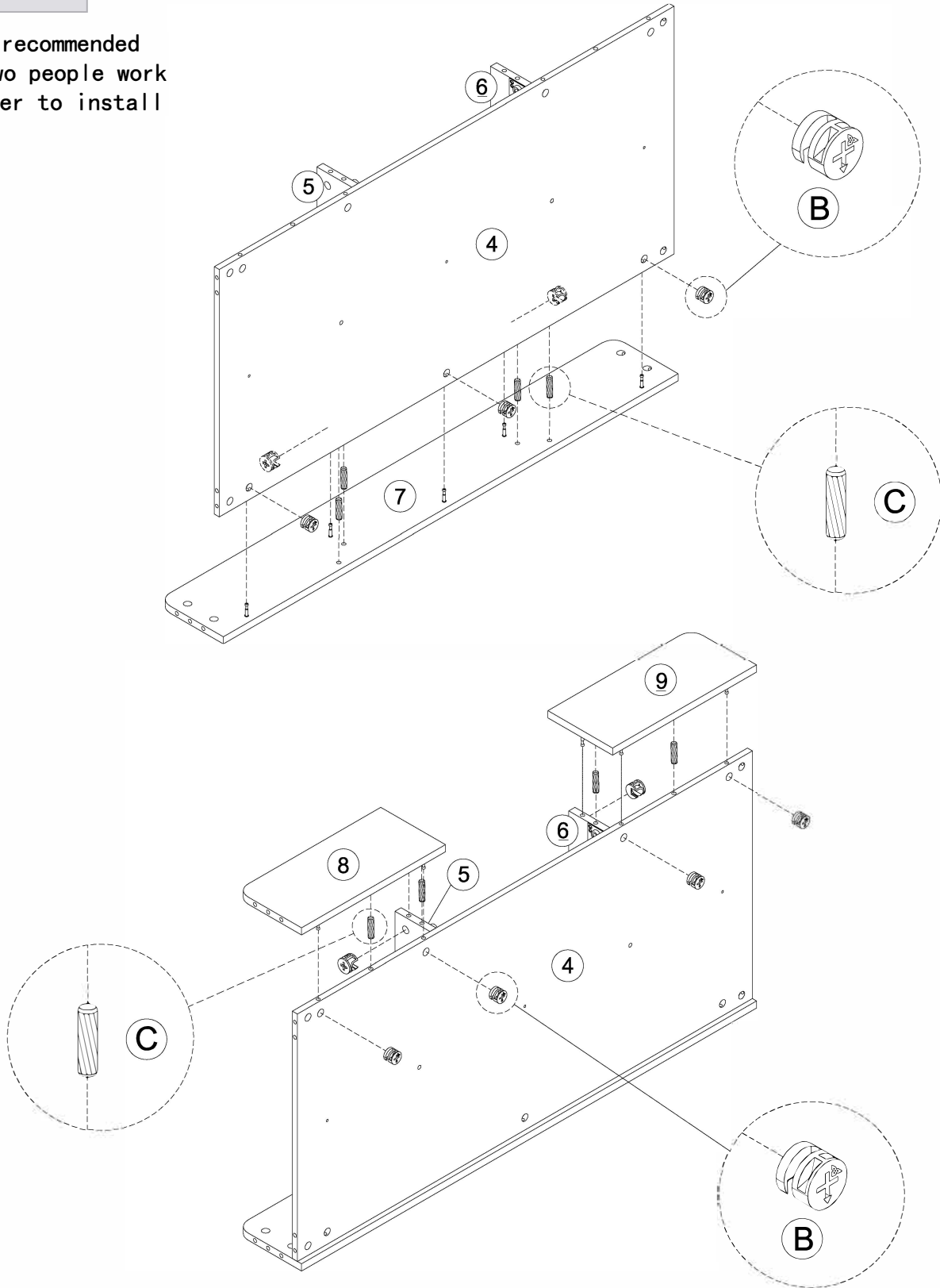
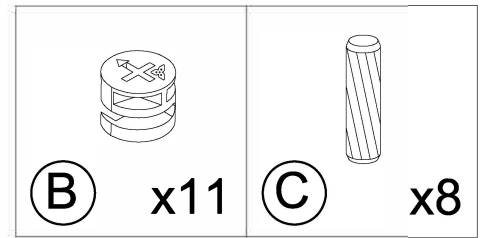
STEP 2



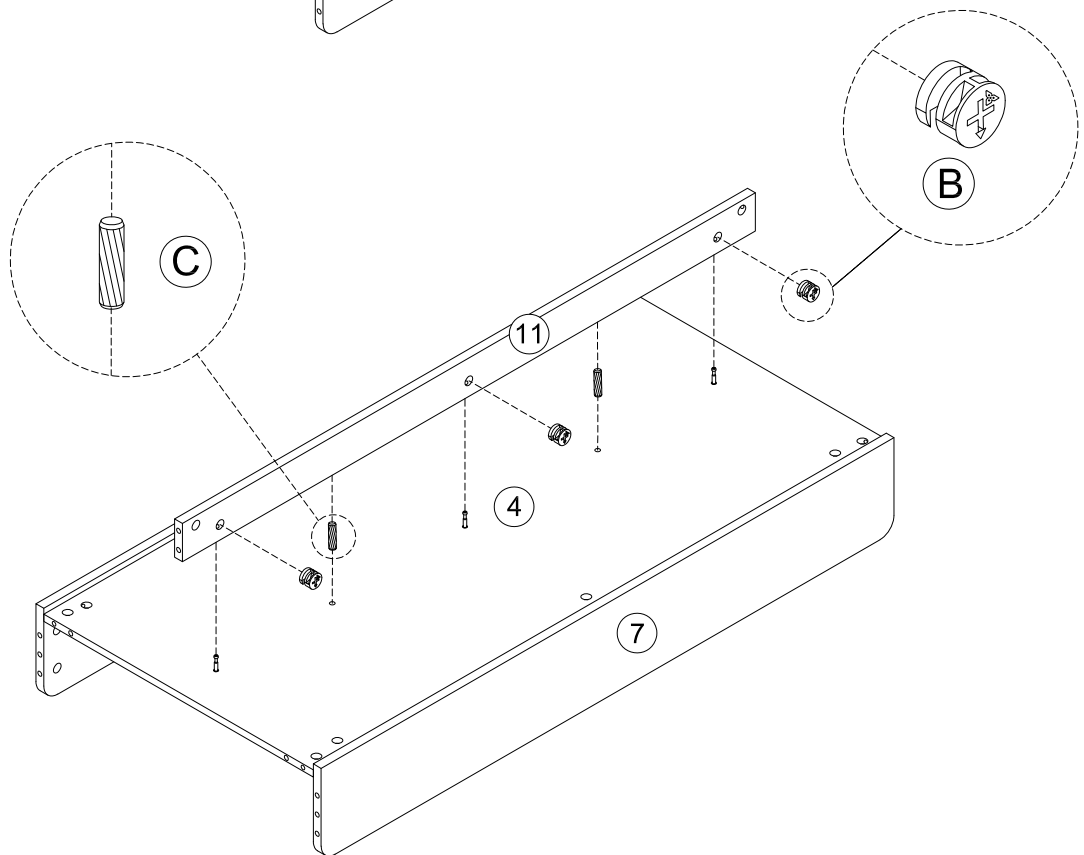
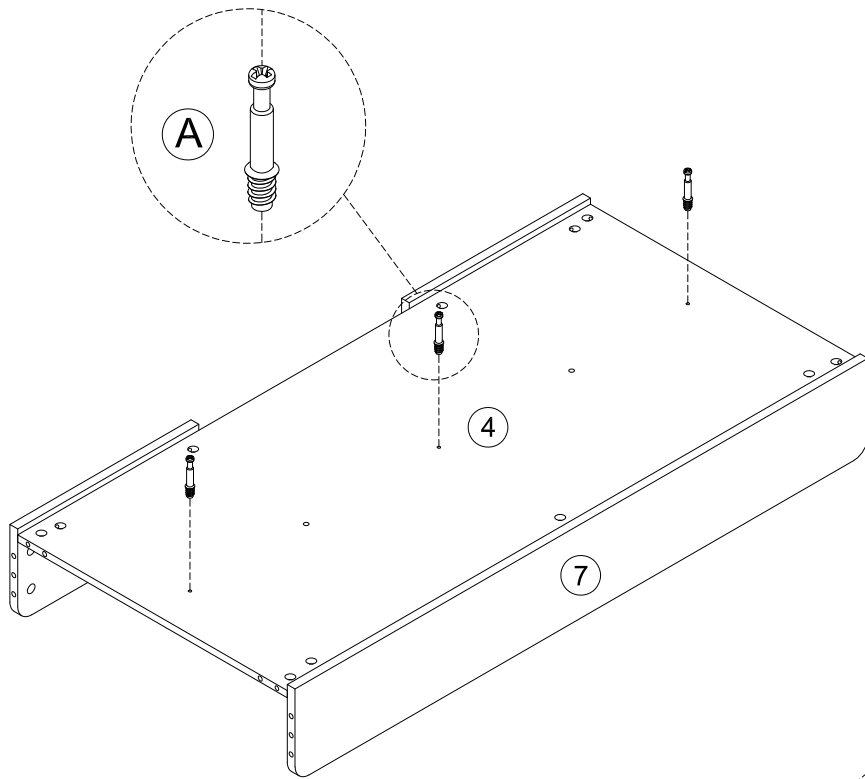
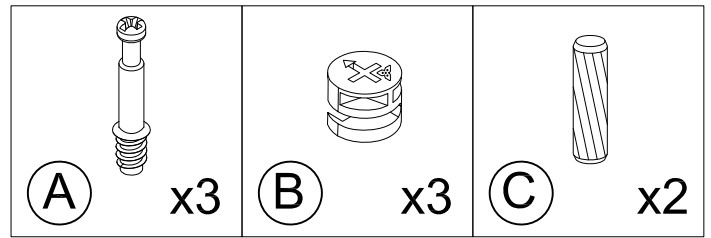
STEP 3



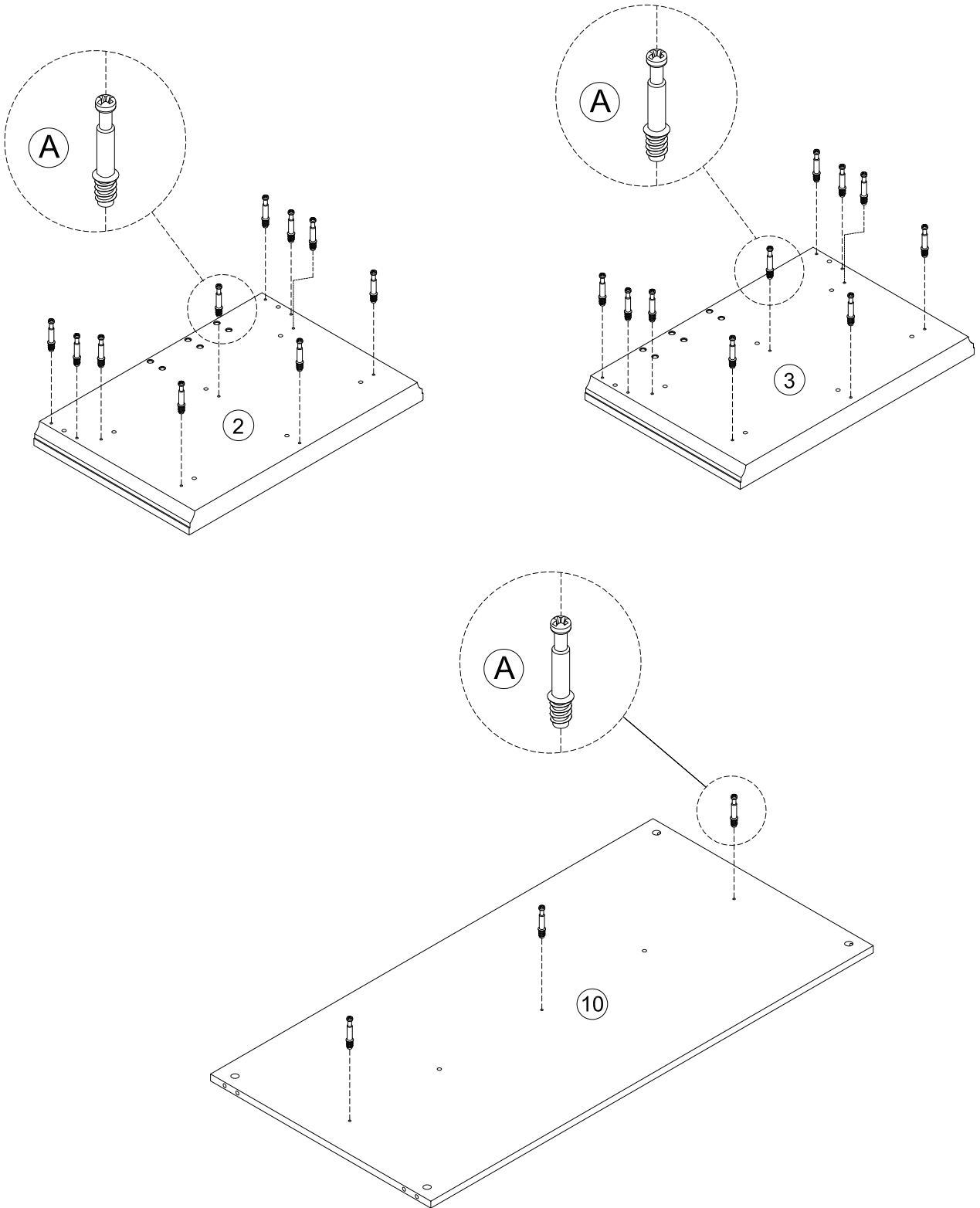
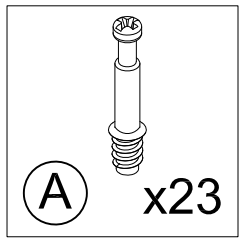
It is recommended that two people work together to install



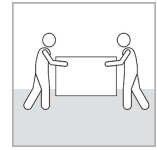
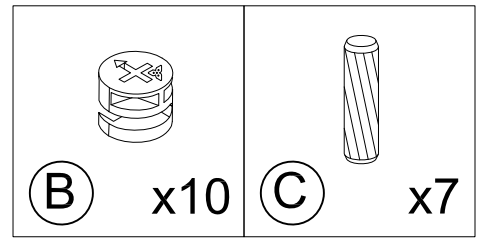
STEP 4



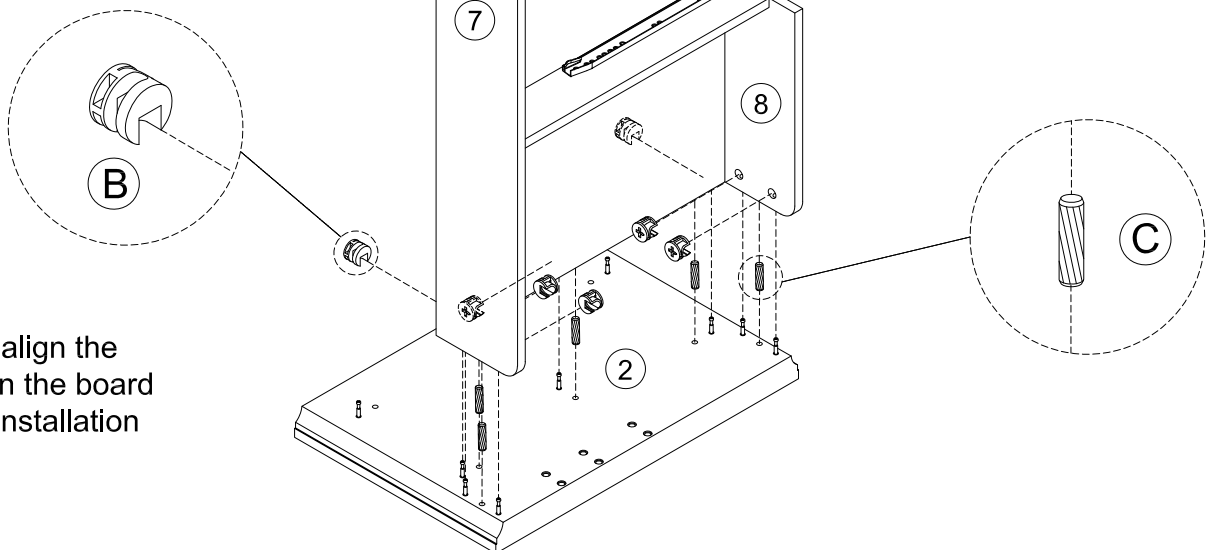
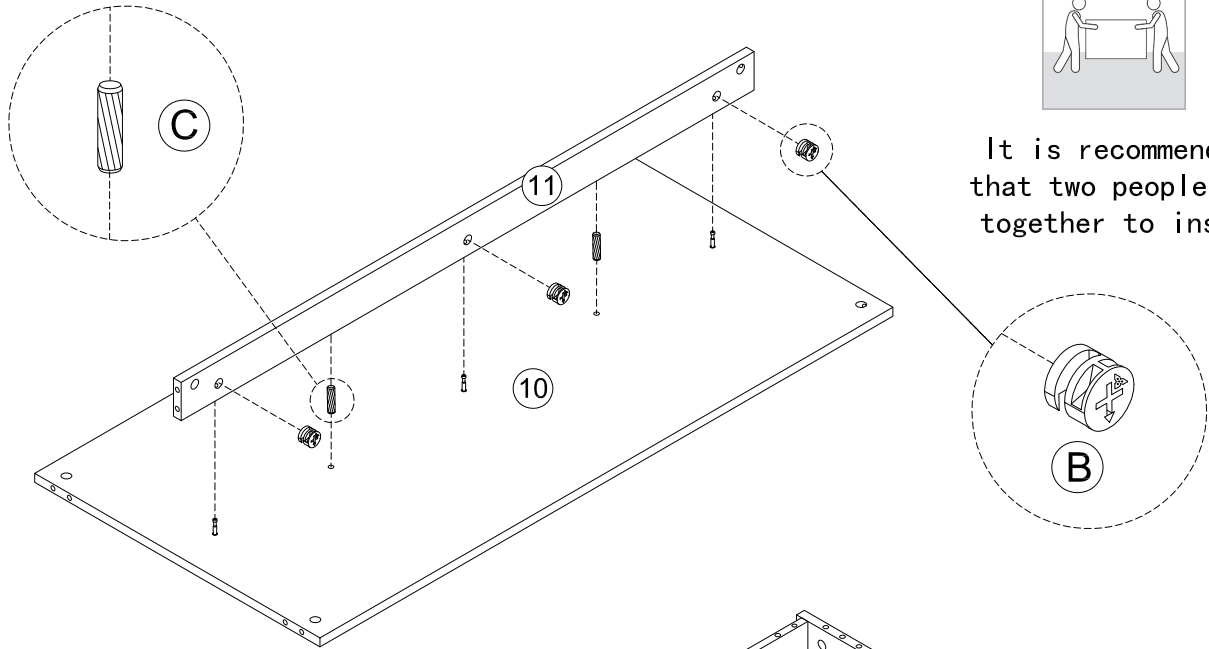
STEP5



STEP 6

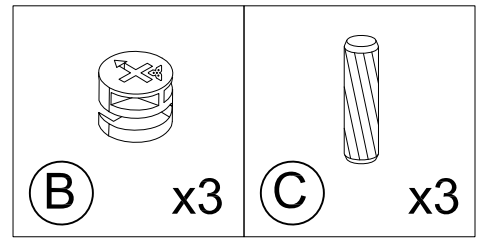


It is recommended that two people work together to install



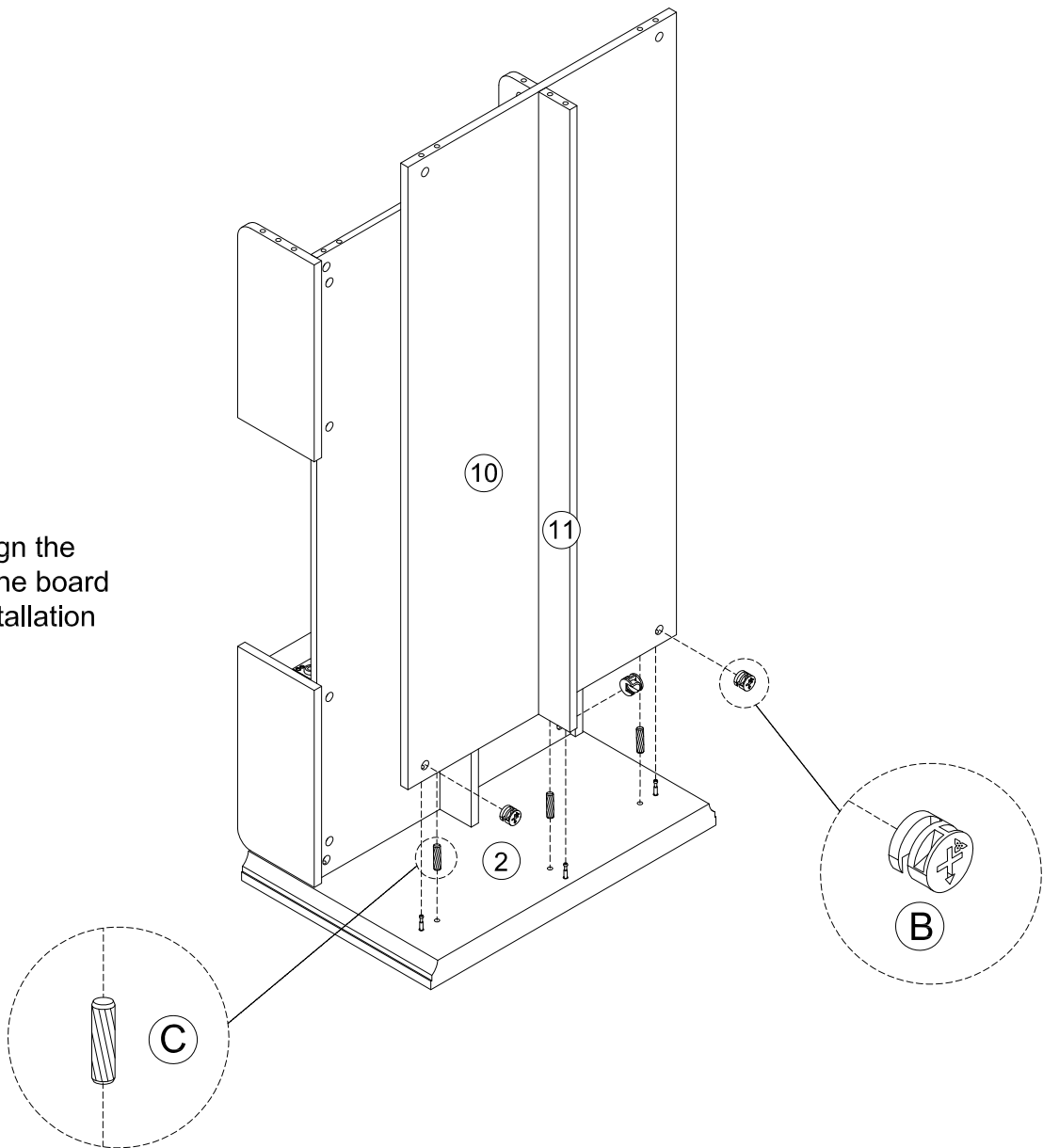
Please align the holes on the board during installation

STEP 7

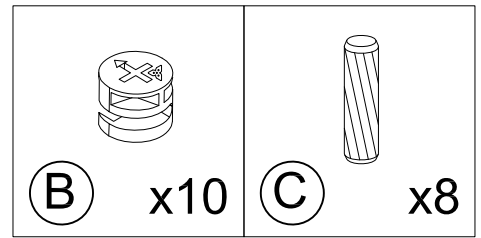


It is recommended
that two people work
together to install

Please align the
holes on the board
during installation

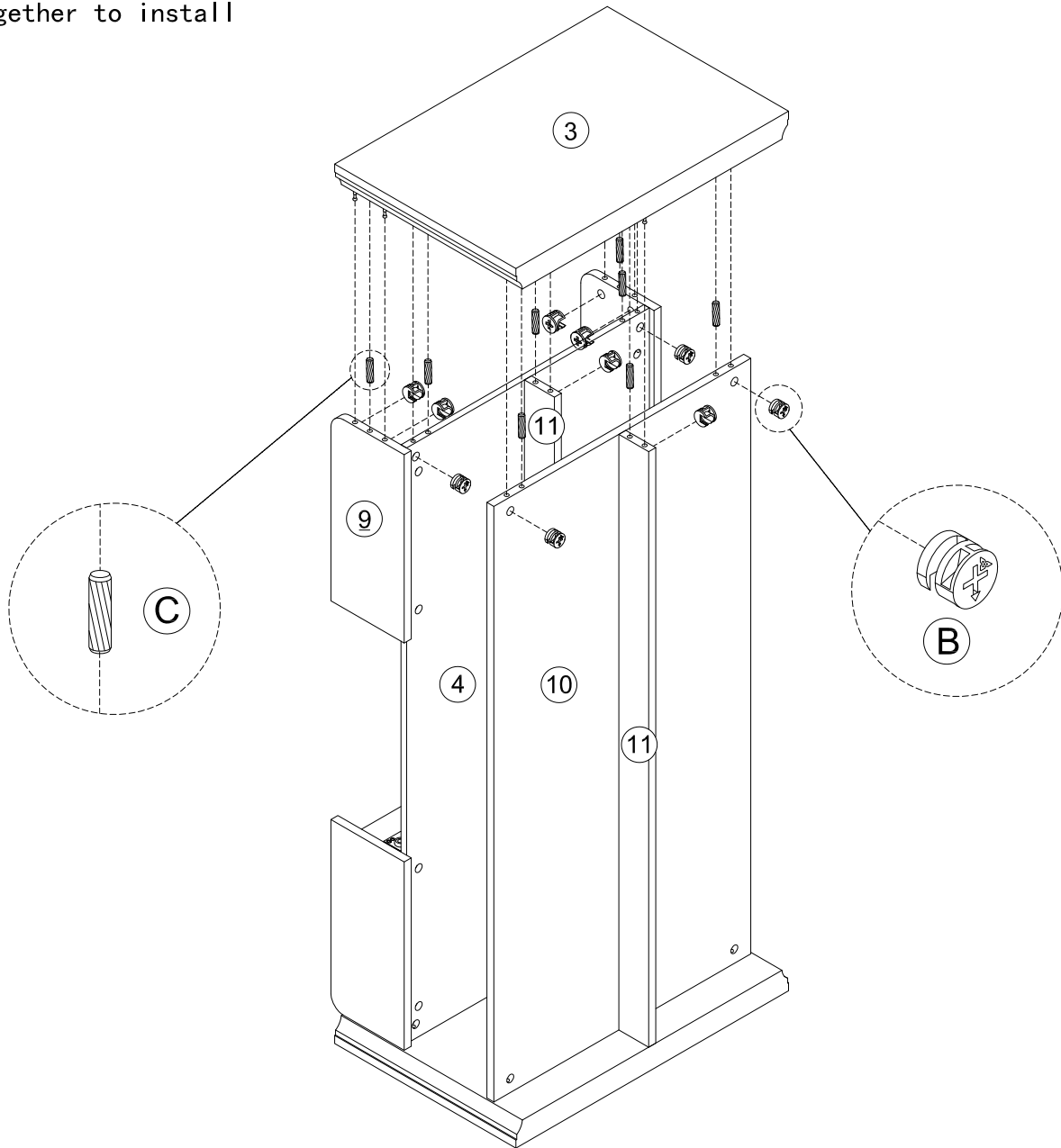


STEP8

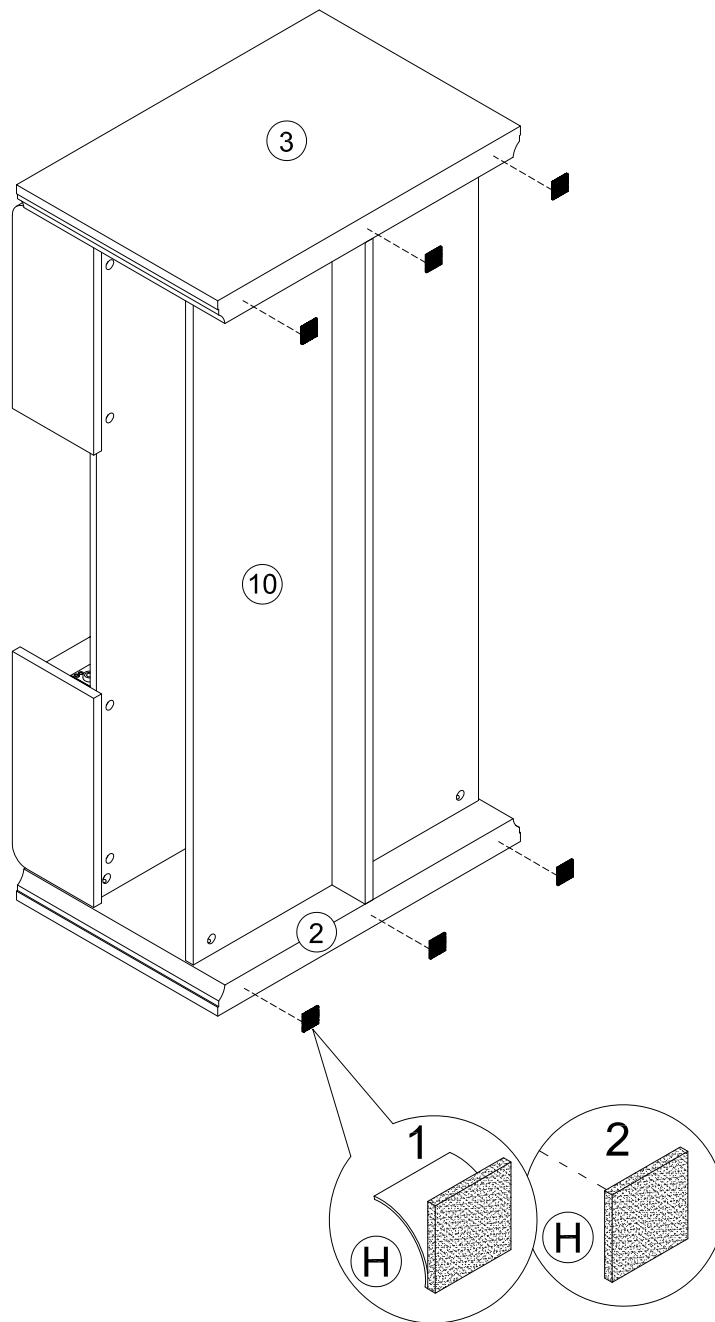
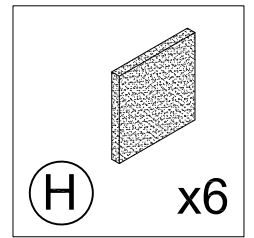


It is recommended that two people work together to install

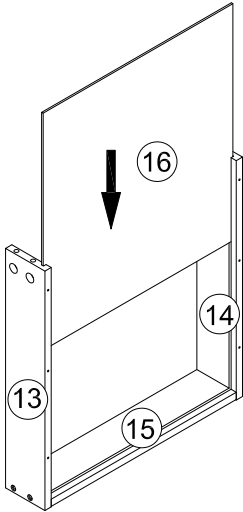
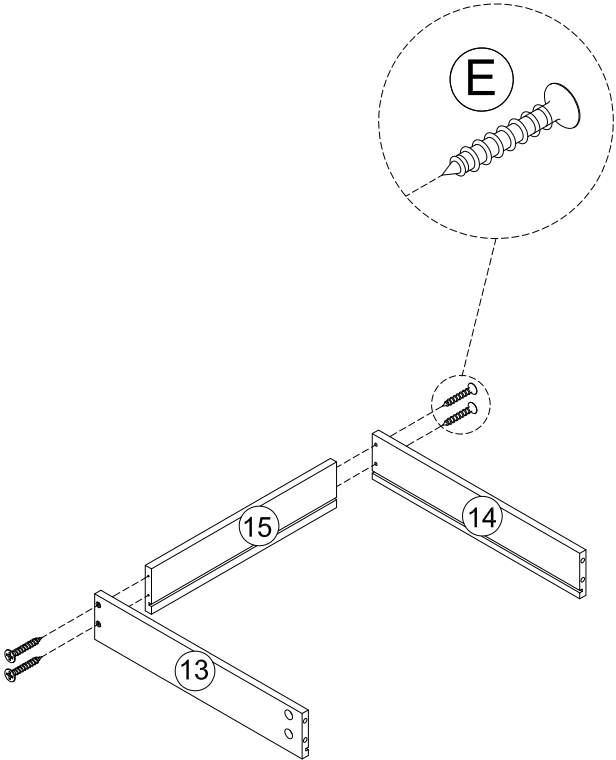
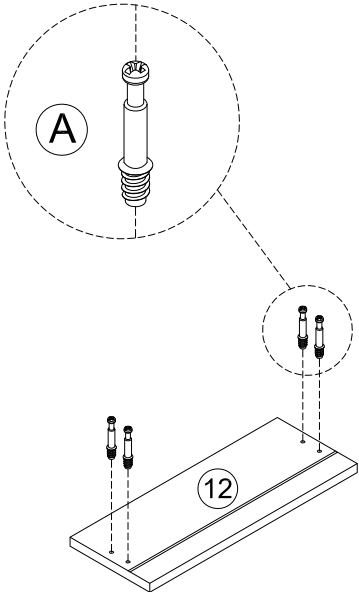
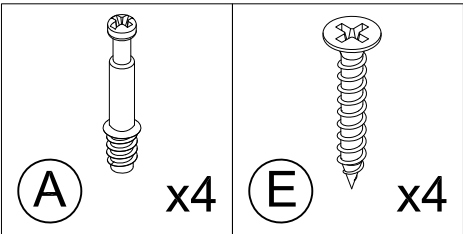
Please align the holes on the board during installation



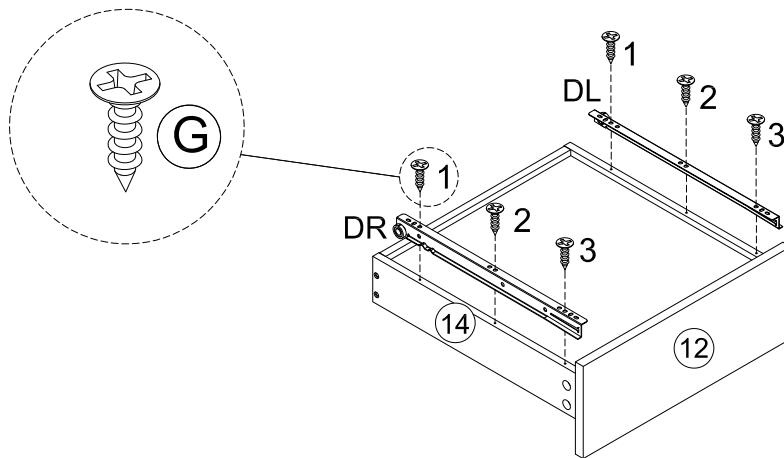
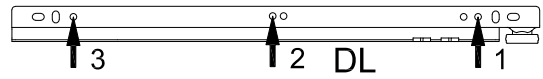
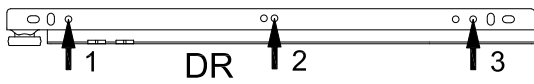
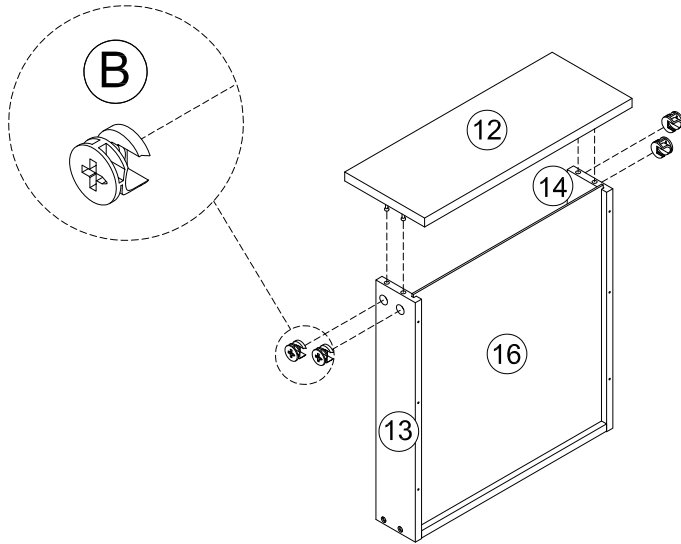
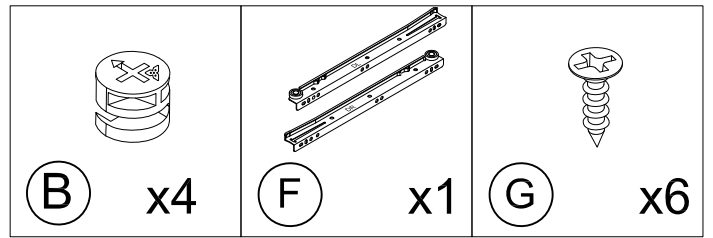
STEP 9



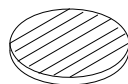
STEP 10



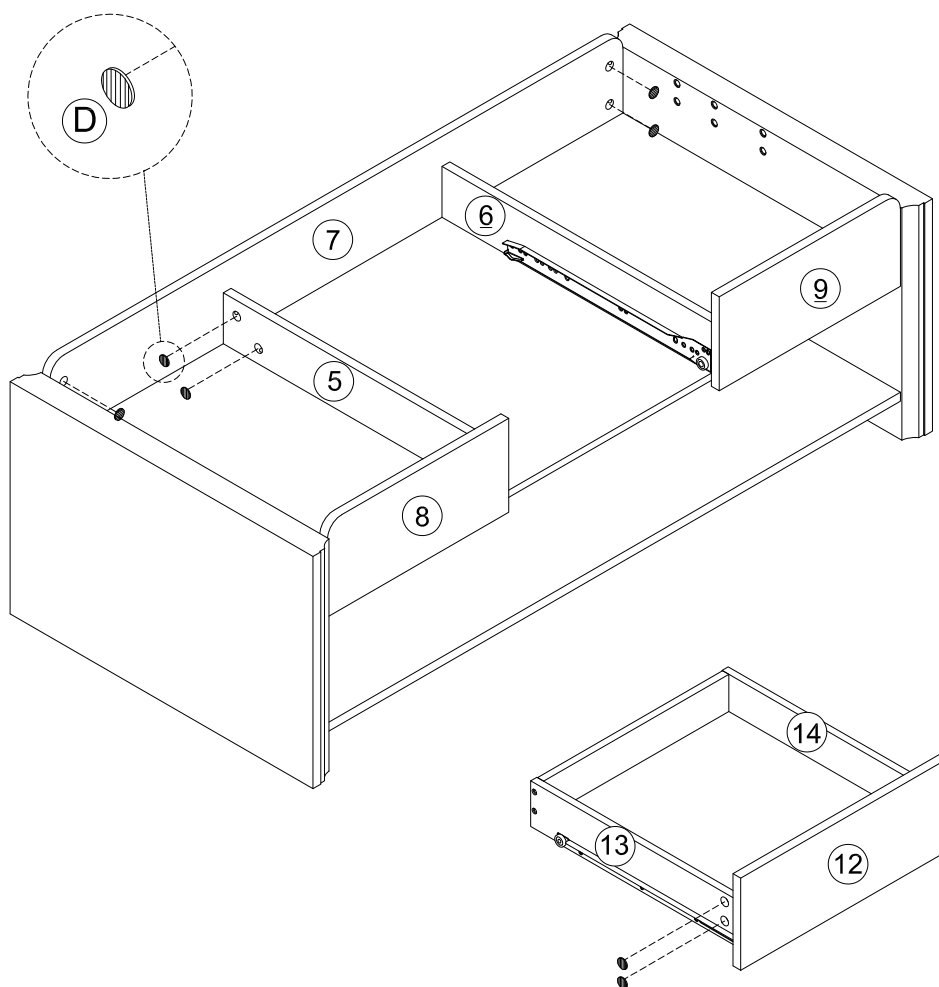
STEP 11



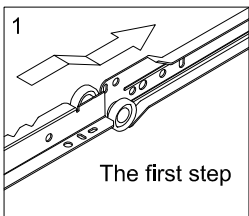
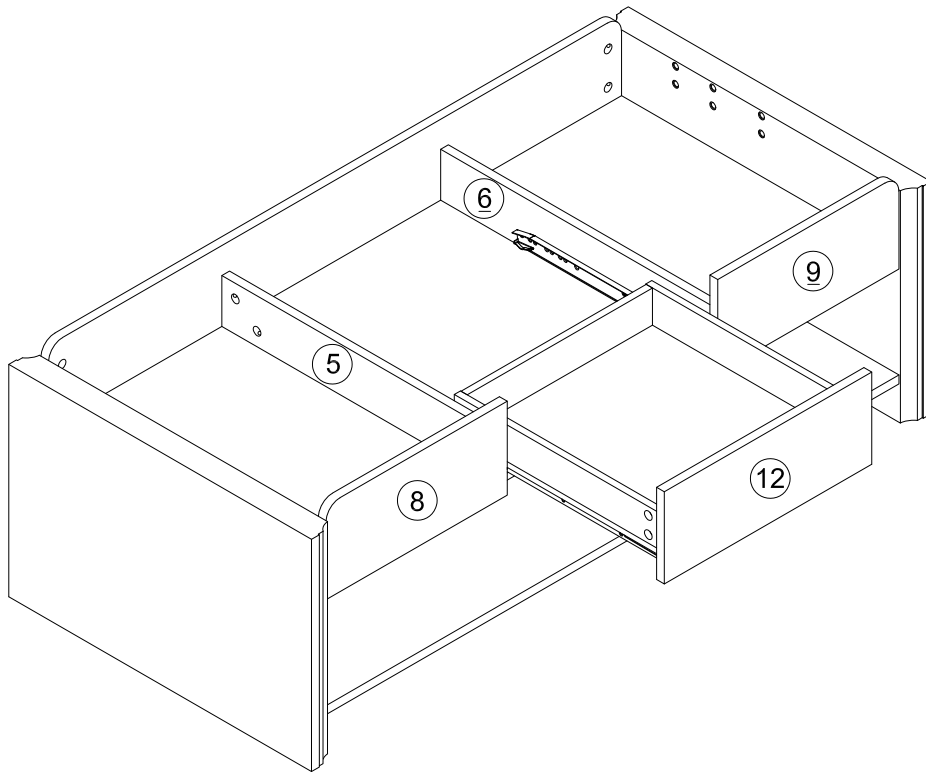
STEP 12



(D) x45

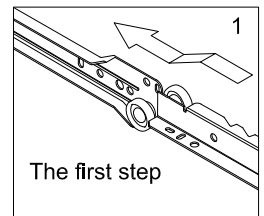


STEP 13

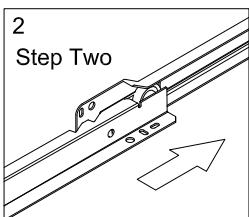


The first step

1. When you put the drawer, please note that the drawer wheels on top of the wheels of the slide, then check whether the drawer is smooth when pulled out. Otherwise, the drawer will not be aligned with other drawers.

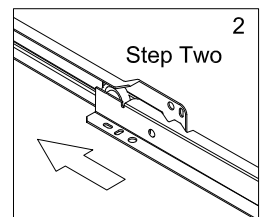


The first step



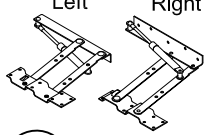


Step Two

2. Note: When installing, ensure that the sub-rail is fully inserted into the main rail

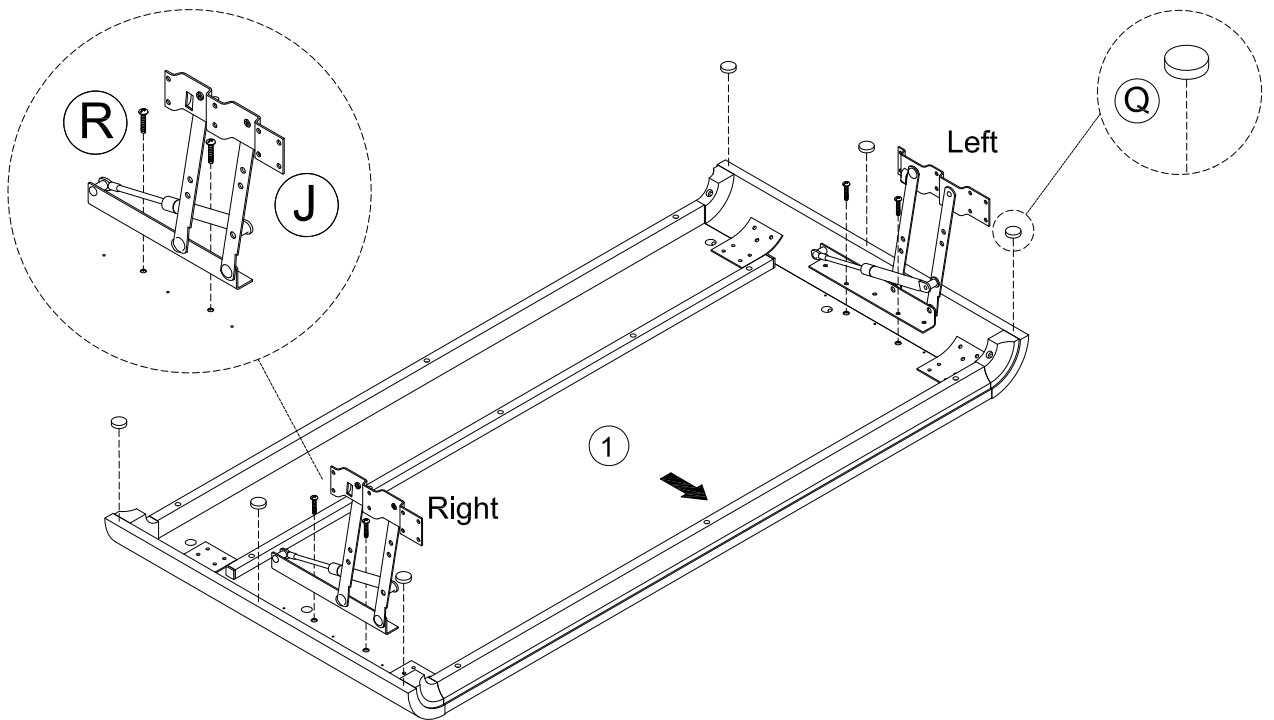
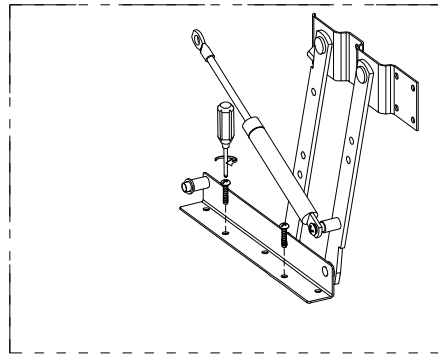
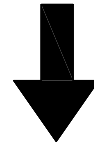
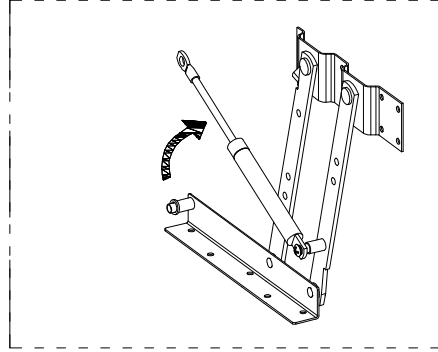
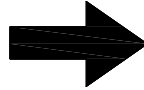
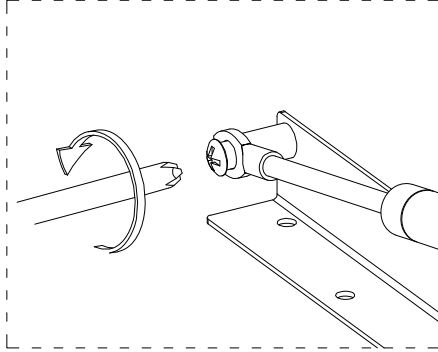


Step Two

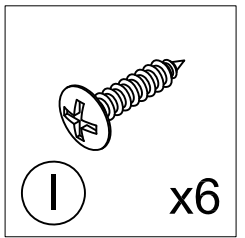
STEP 14

| | | |
|--|---|---|
| Left Right  |  |  |
| (J) x1 | (R) x4 | (Q) x6 |

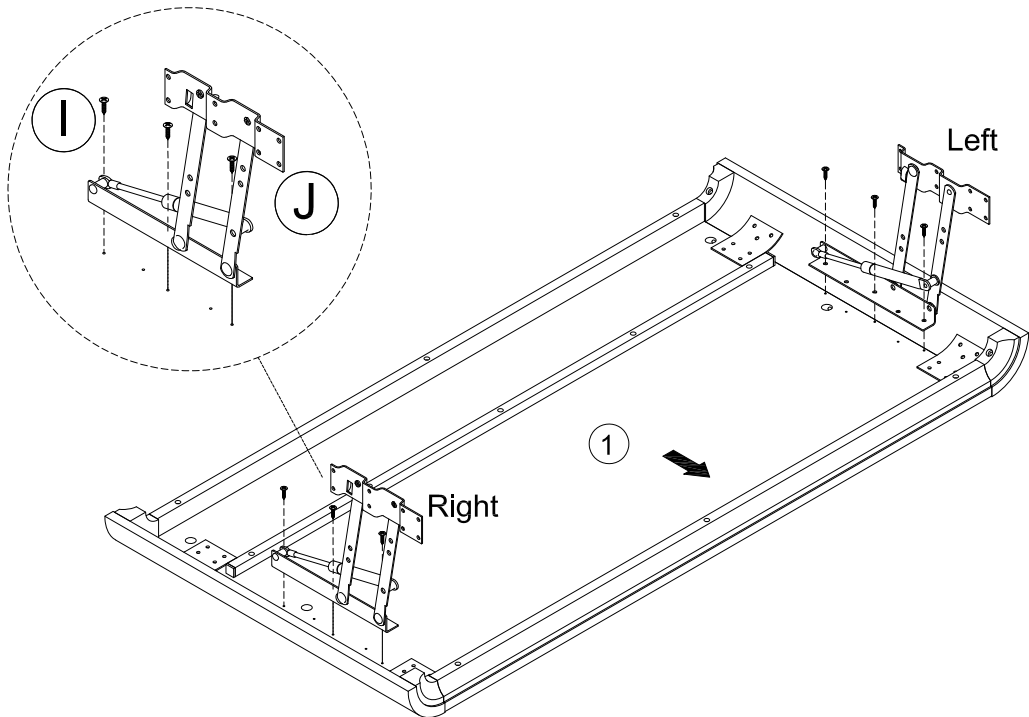
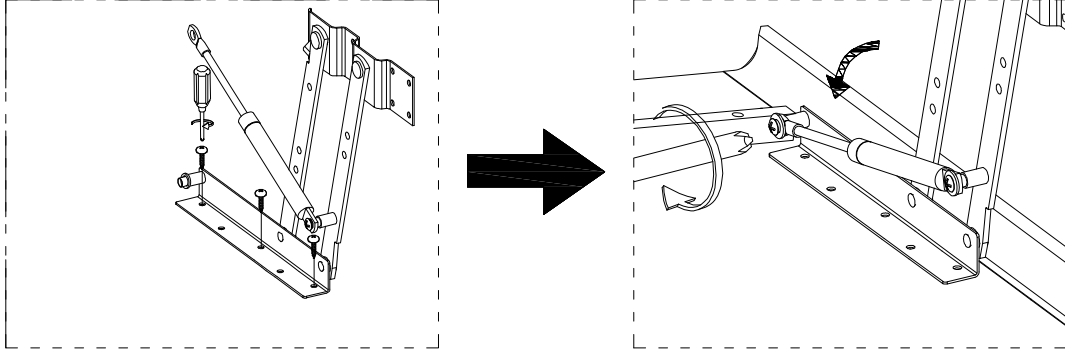
Note: It's easier to install this lifting mechanism by loosening one screw of the hydraulic rod



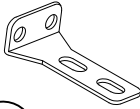
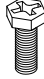


STEP 15

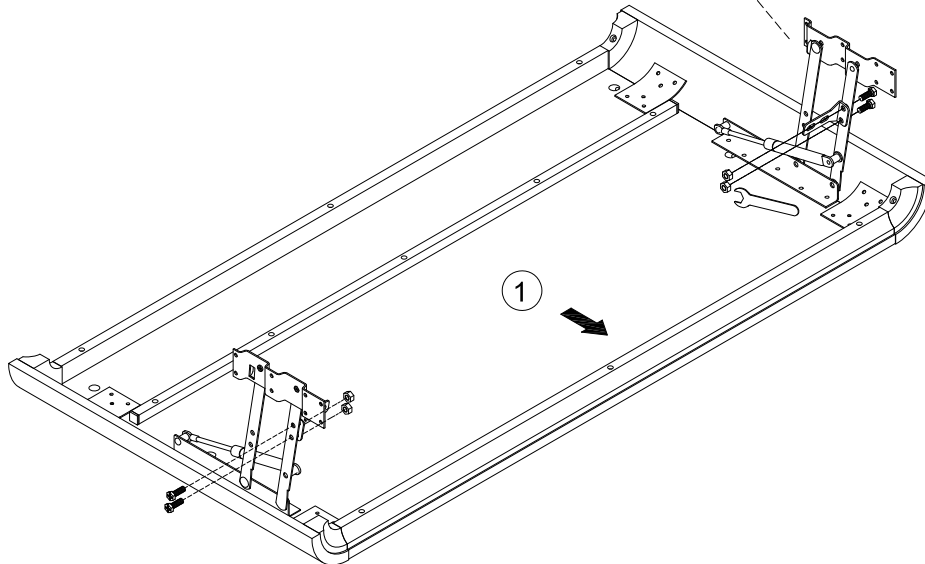
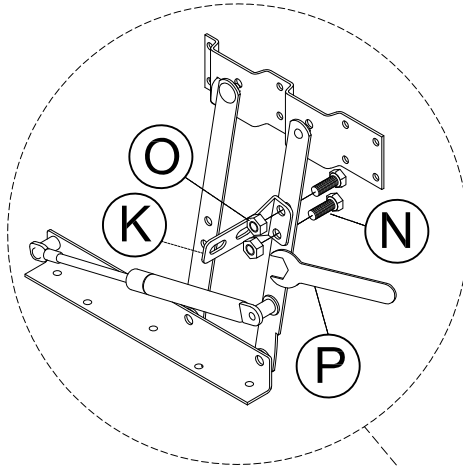


Note: After installing the screws on the board, please tighten the screws on the hydraulic rod

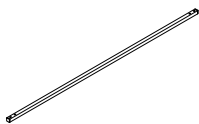
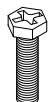




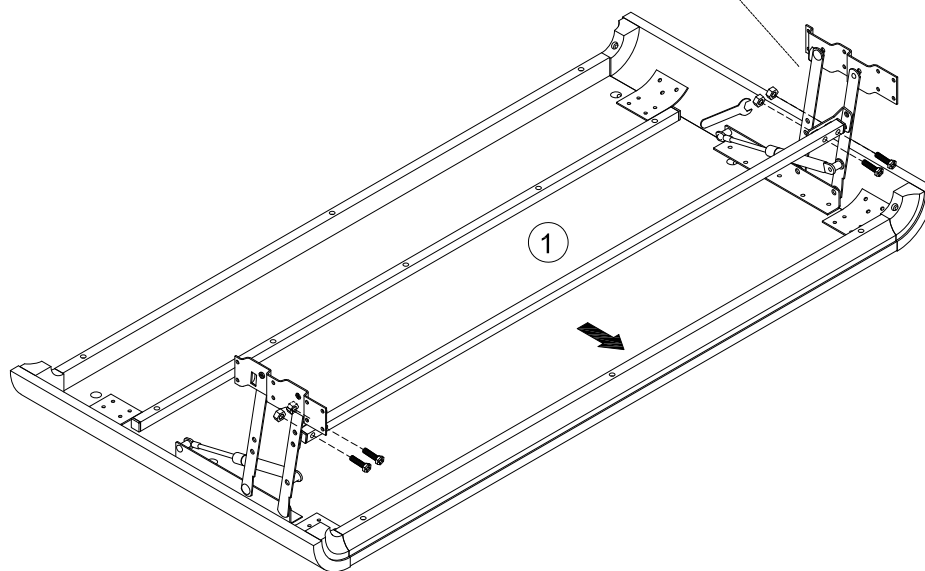
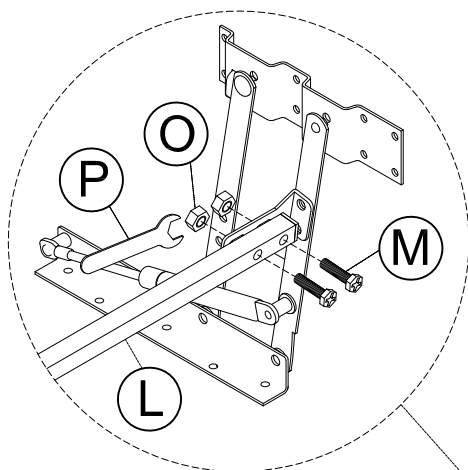
STEP 16

| | | | |
|---|--|---|---|
|  |  |  |  |
| (K) x2 | (N) x4 | (O) x4 | (P) x1 |

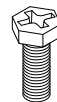


STEP 17

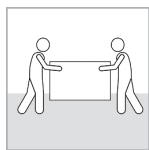
| | | | |
|--|--|---|---|
|  |  |  |  |
| (L) x1 | (M) x4 | (O) x4 | (P) x1 |



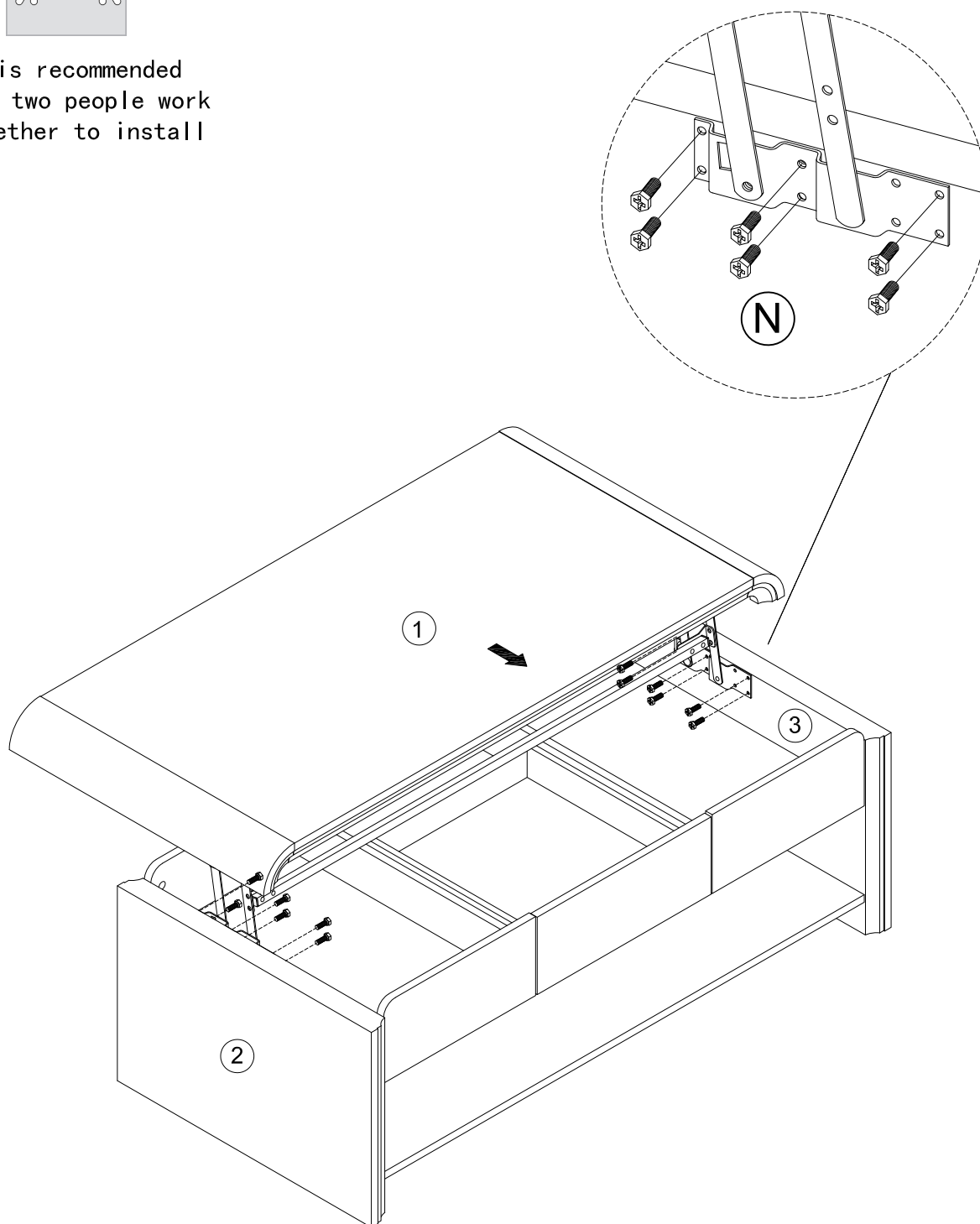
STEP 18



(N) x12

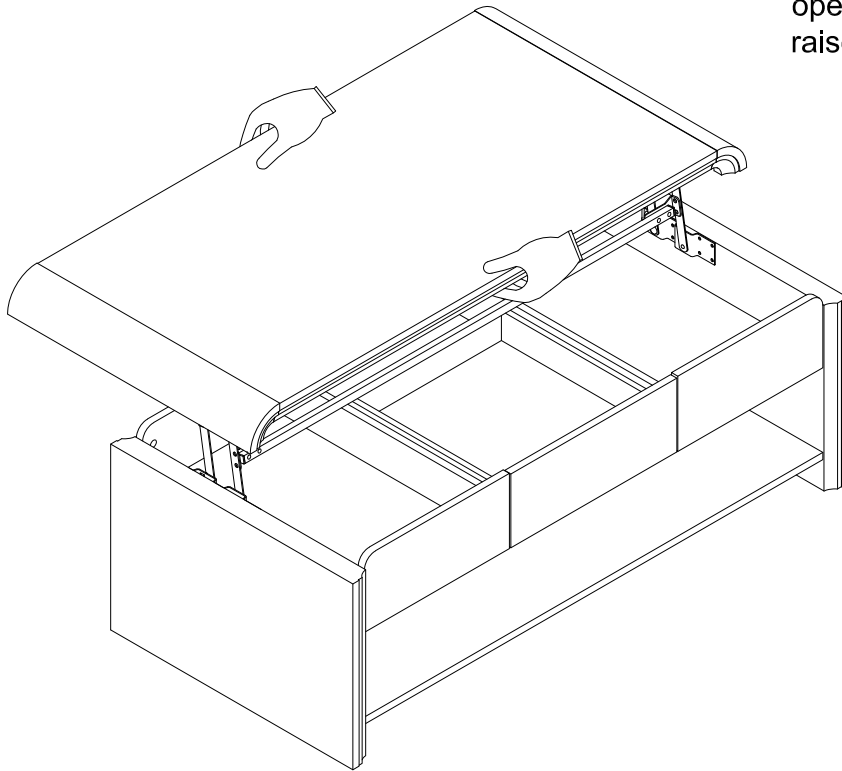


It is recommended that two people work together to install



STEP 19

Please grab the panel with both hands and lift it up to open the lifting frame and raise the desktop



Please pull the panel back, the desktop will automatically slowly descend back to its original position

