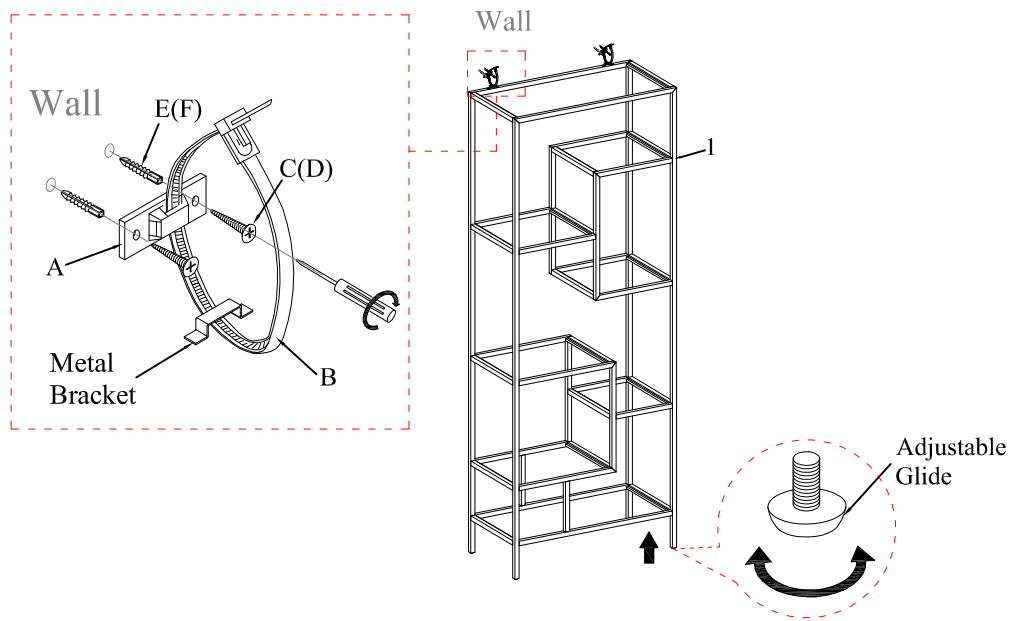


# ASSEMBLY INSTRUCTION



## PARTS INCLUDED

- A [2] Plastic Bracket
- B [2] Restraint Strap
- C [4] Long Screw
- D [4] Longer Screw
- E [4] Anchor (for concrete wall)
- F [4] Anchor (for dry wall)

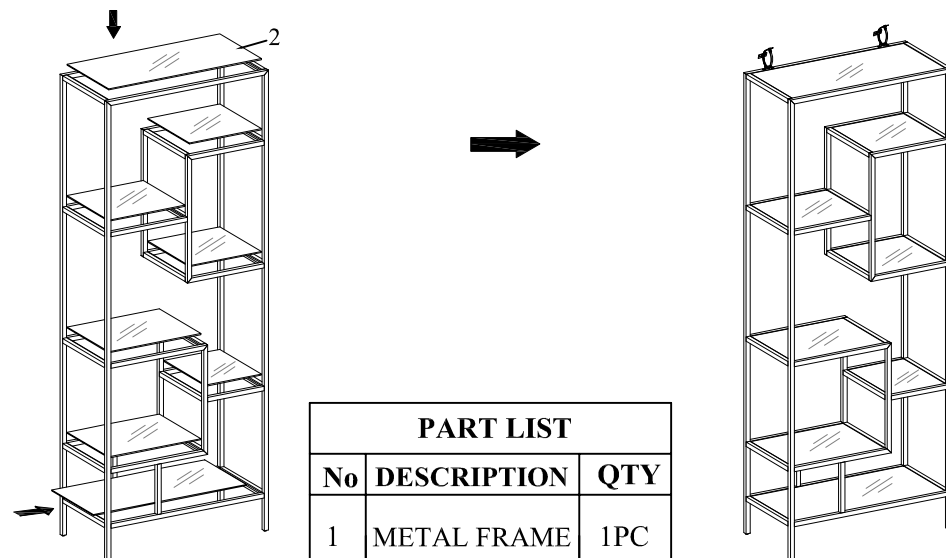


## ASSEMBLY INSTRUCTIONS

1. According to the wall material, choose the corresponding wall mounting hardware, then drill two holes in the wall and insert the Anchors ( E/F), attach the set of Plastic Brackets ( A) by inserting the Screws ( C/D):

Concrete wall	Wall anchor E		4pcs.	Long Screw C		4pcs.
Dry wall	Wall anchor F		4pcs.	Longer screw D		4pcs.
Wood wall				Long Screw C		4pcs.

2. Lace one end of the Restraint Straps ( B) down through Plastic Bracket ( A), and the Metal Bracket at the top, bring both ends together and slide the beaded end until its snap locks into the keyhole slot as shown in the sketch.
3. Put each glass onto the shelf.



### PART LIST

No	DESCRIPTION	QTY
1	METAL FRAME	1PC
2	GLASS SHELF	8PCS