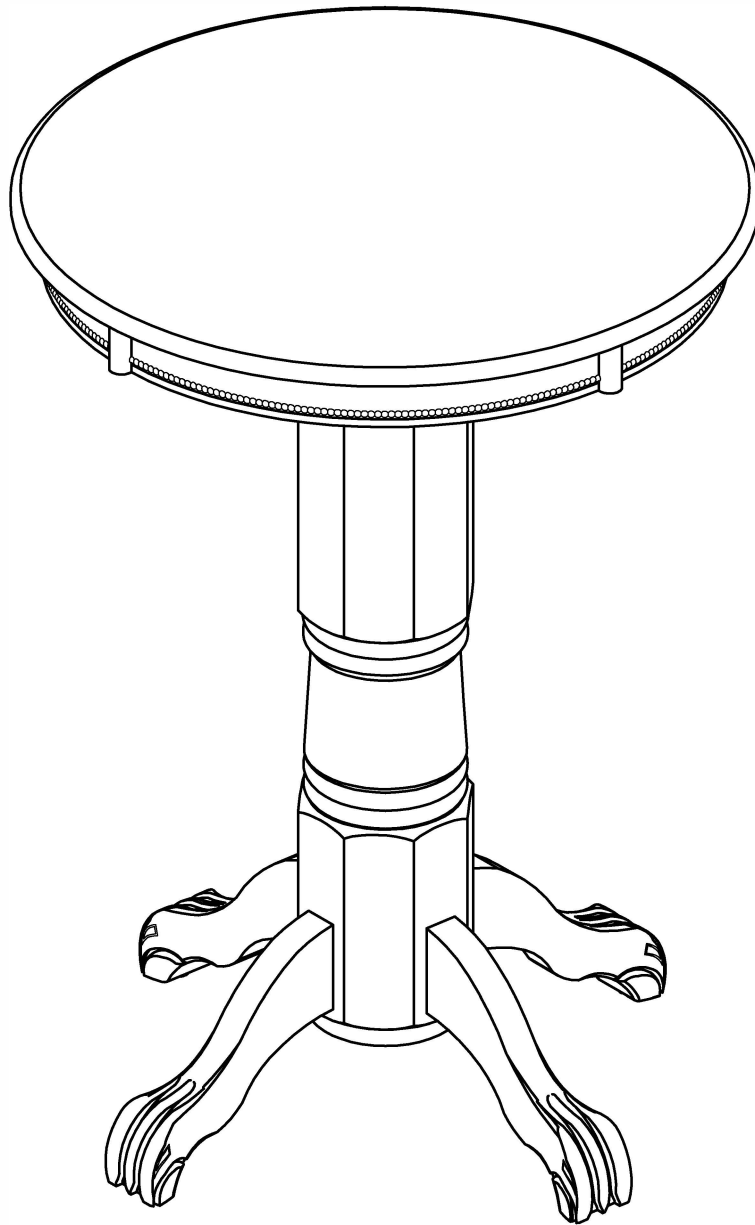


# ASSEMBLY INSTRUCTIONS

PUB TABLE



A



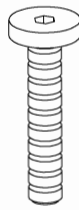
4 PCS  
Ø6x13

B



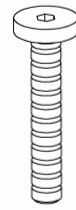
4 PCS  
Ø6x19

C



4 PCS  
M8x40

D



4 PCS  
M6x40

E



12 PCS  
Ø8x13

F



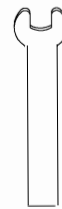
12 PCS  
Ø8x19

G



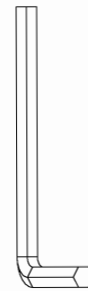
8 PCS  
Ø8

H



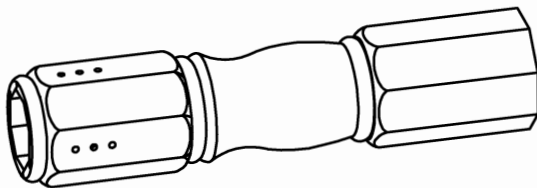
1 PC

I

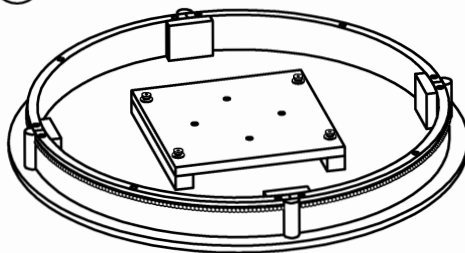


1 PC

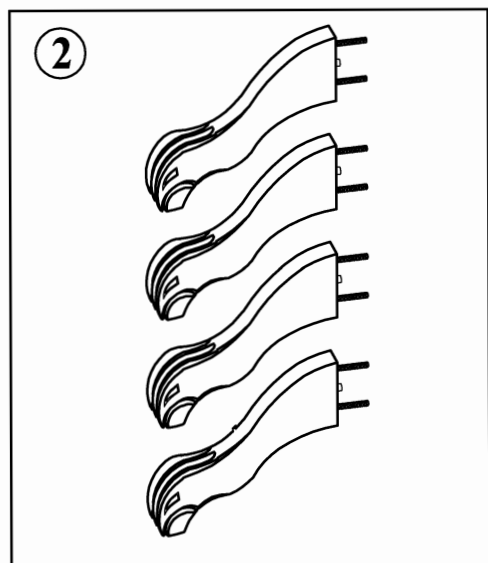
①



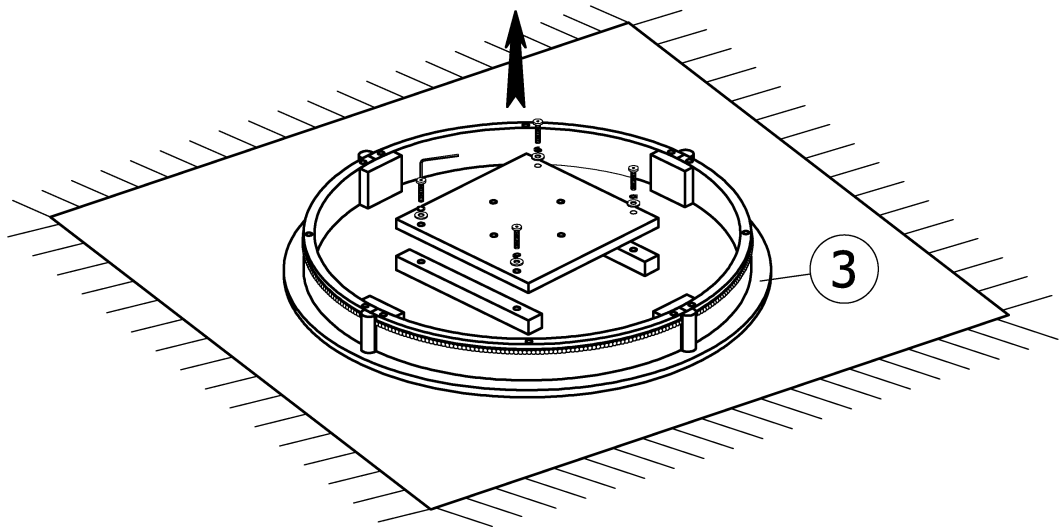
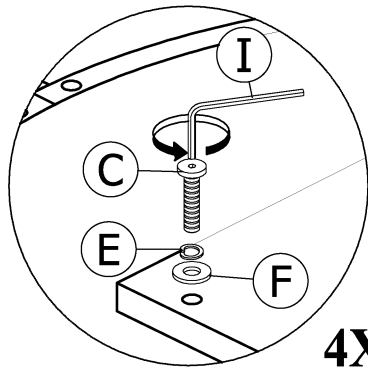
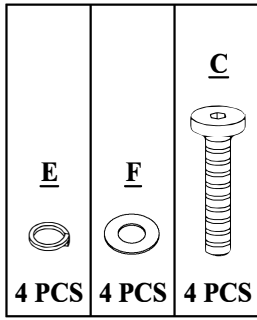
③



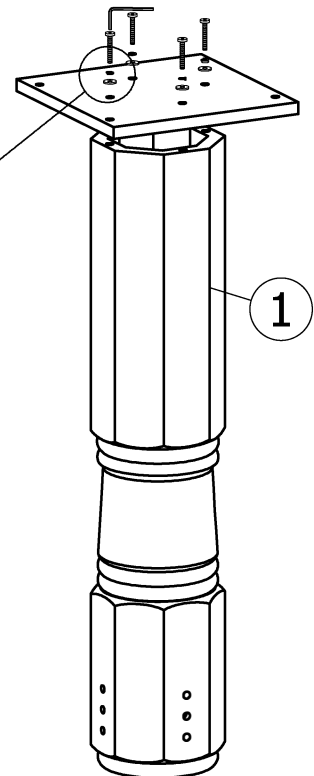
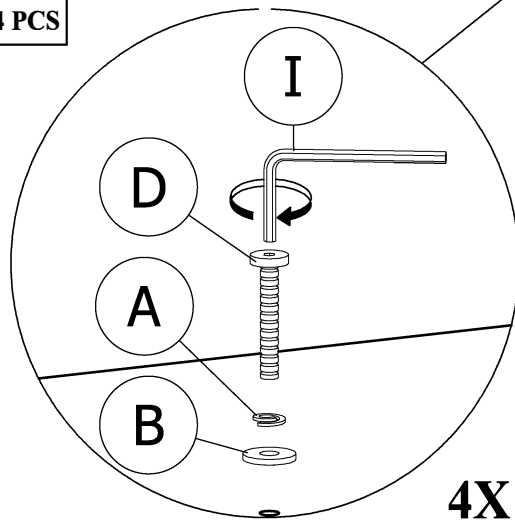
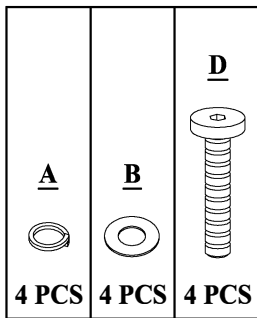
②



# 01

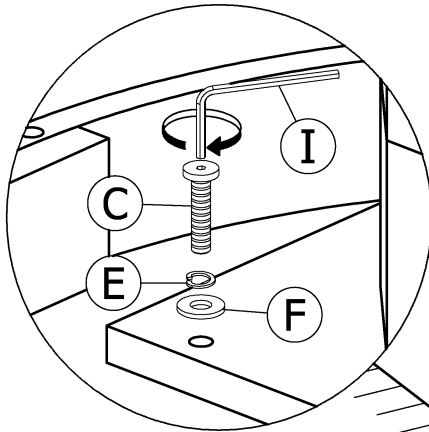
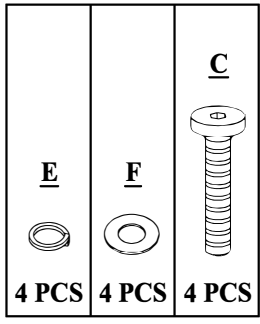


# 02

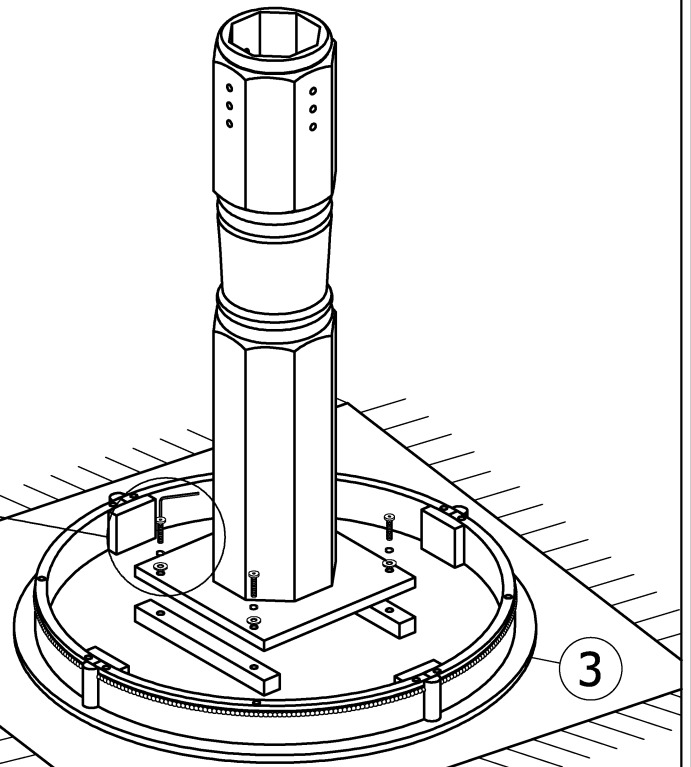


TIGHTEN BOLT COMPLETELY.

# 03

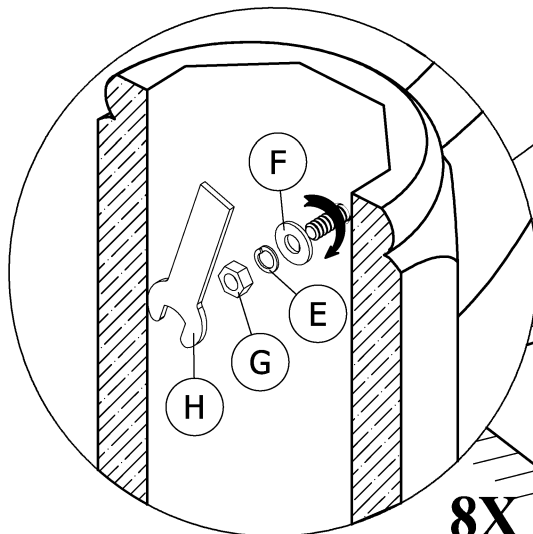
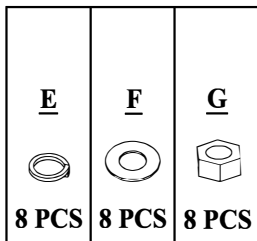


4X

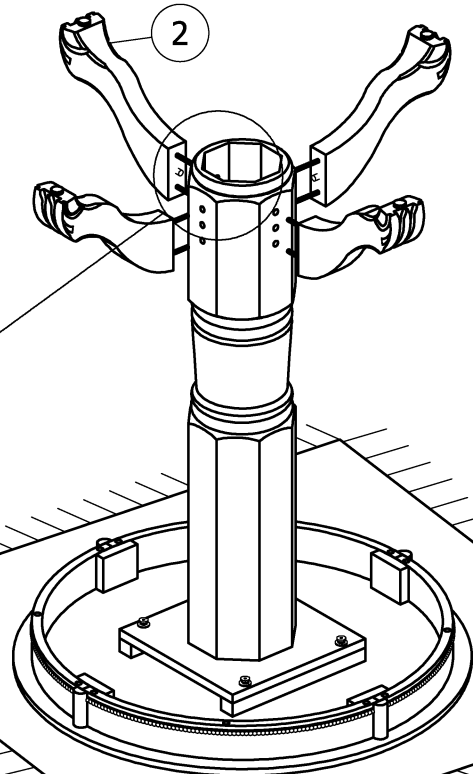


TIGHTEN BOLT COMPLETELY.

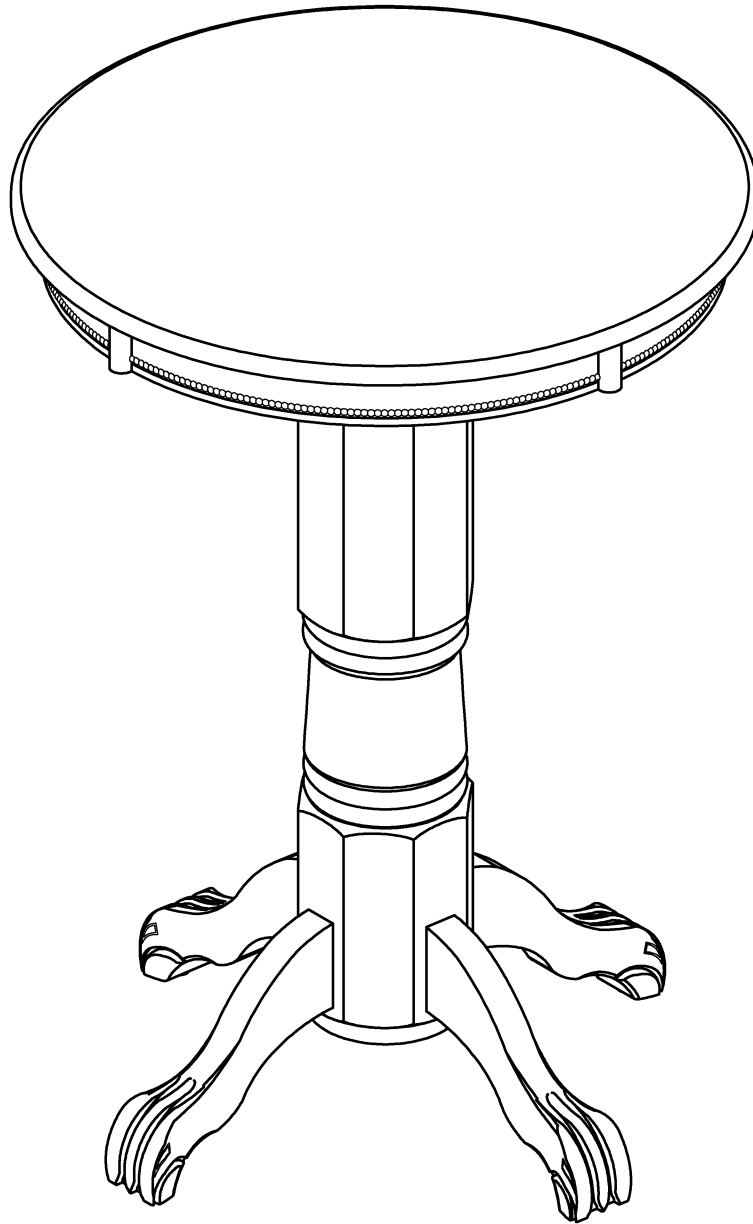
# 04



8X



TIGHTEN HEX NUT COMPLETELY.



BE SURE TO CHECK ALL BOLTS ARE SECURELY TIGHTENED PRIOR USING THIS TABLE