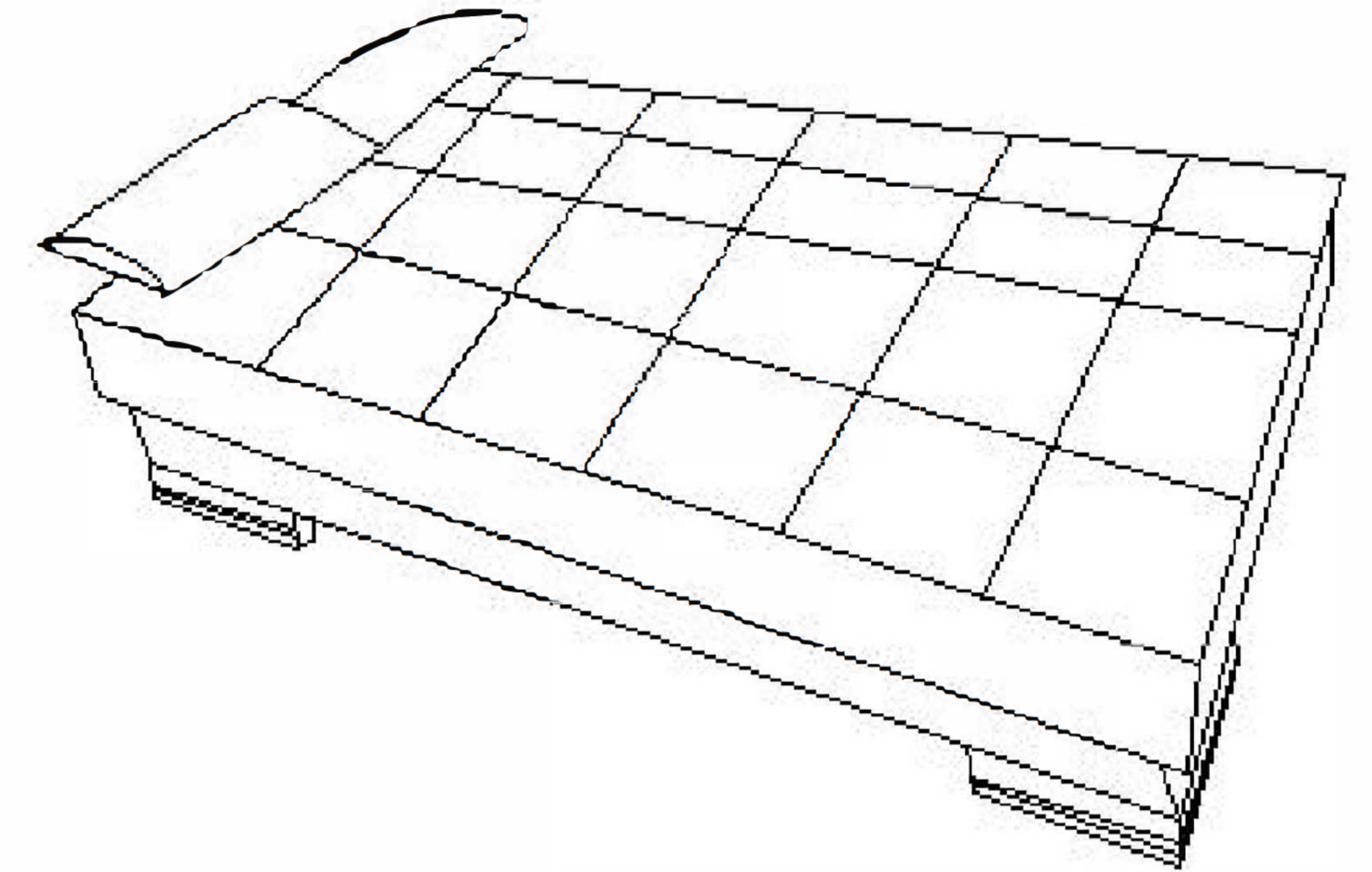
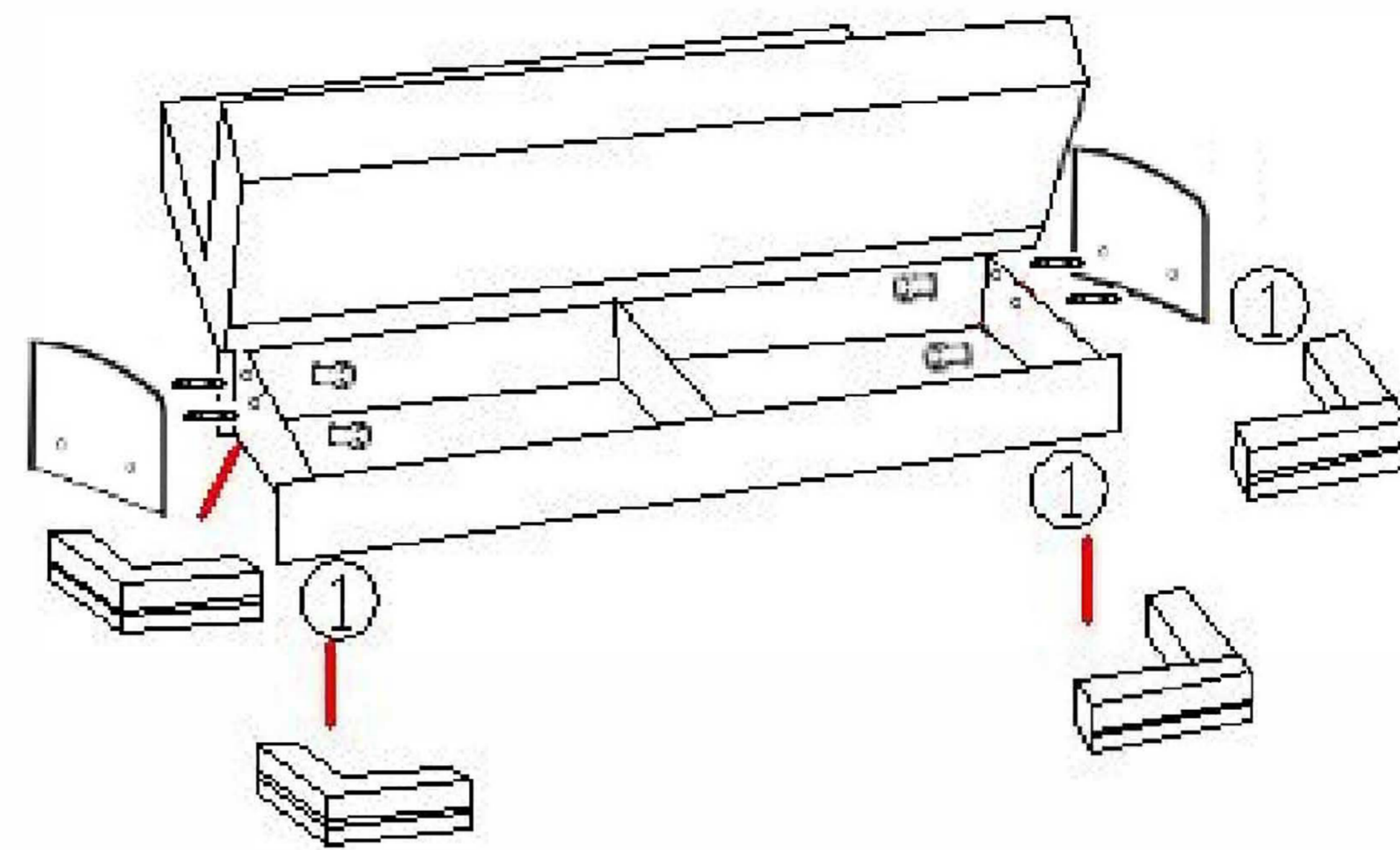
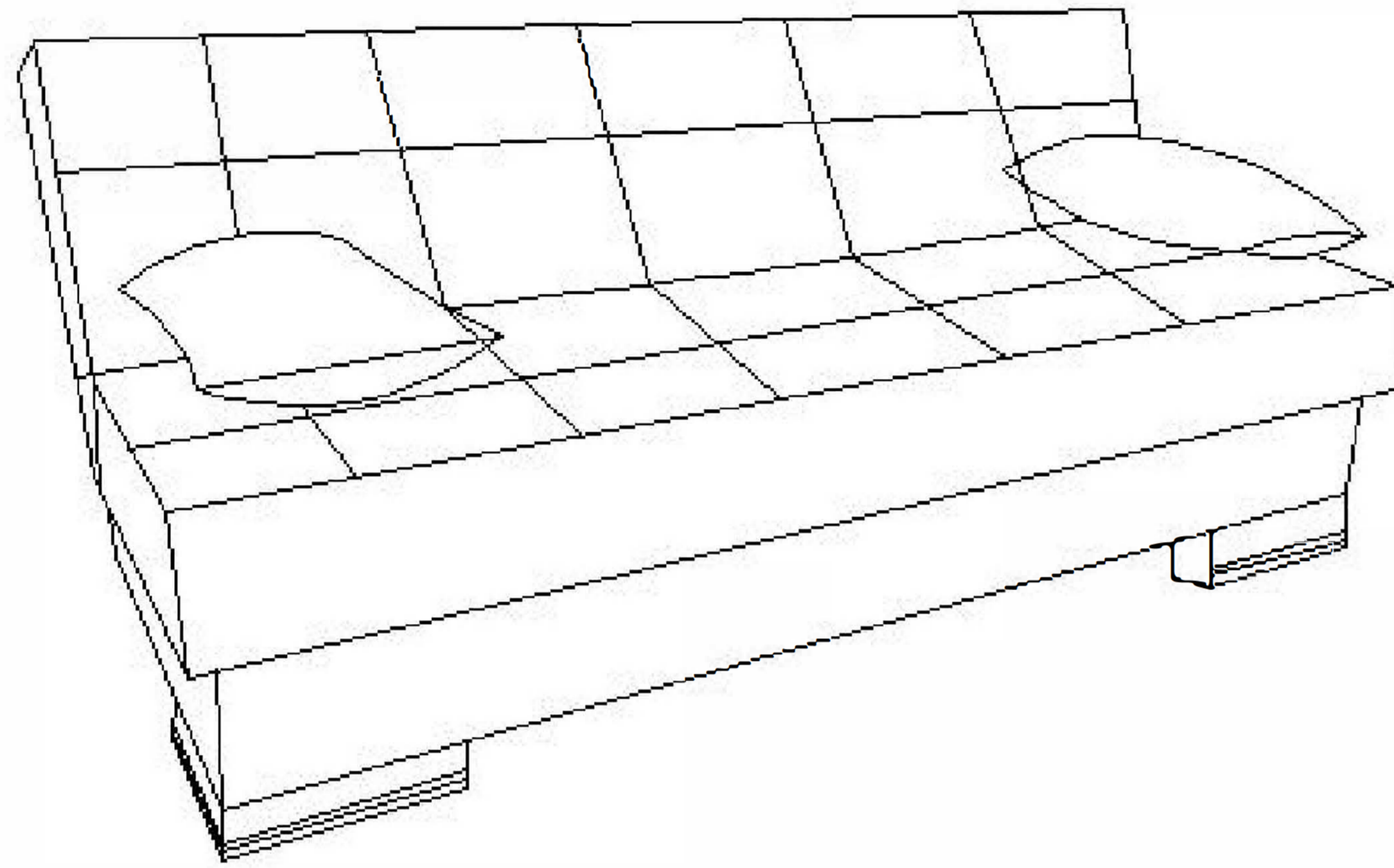
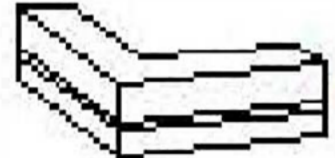






ASSEMBLY INSTRUCTIONS



HARDWARE PACKAGE CONTENT

-  ——— LEG (4)
-  ——— SUPPORTLEG (1)
-  ——— SCREW (12)
-  ——— STUD (4)
-  ——— WINGNUT (4)

