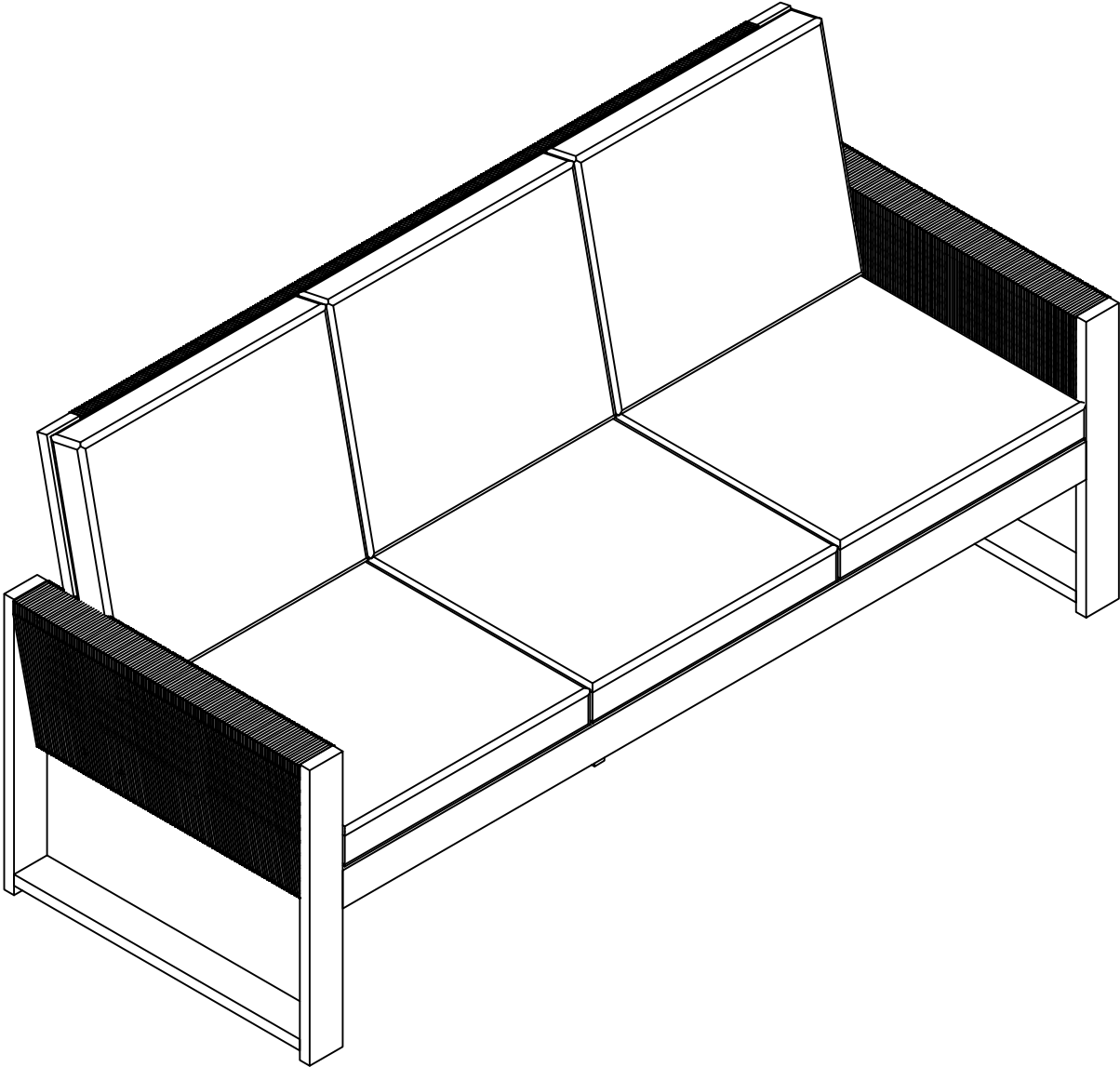
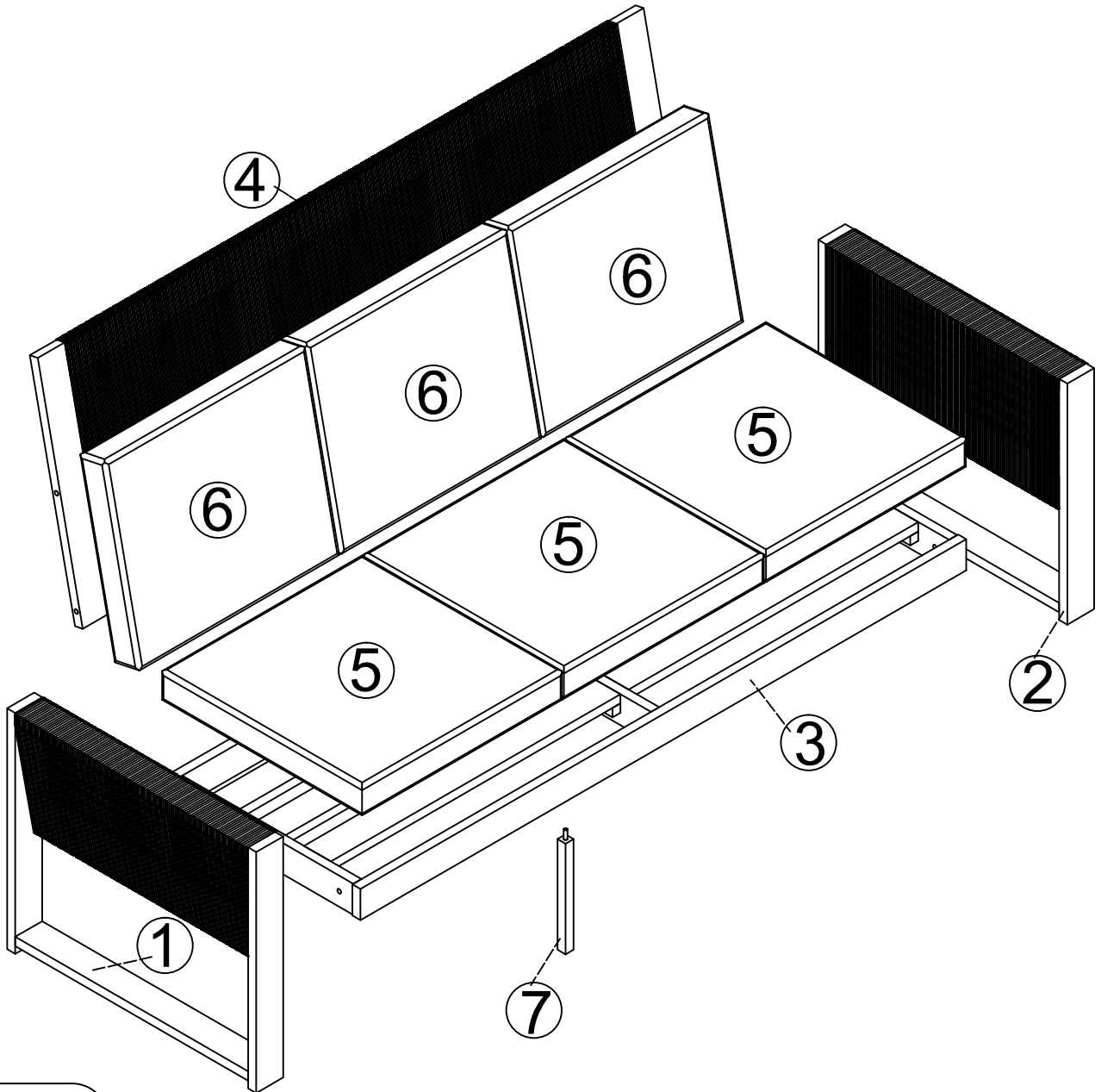


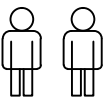
# Assembly Instruction



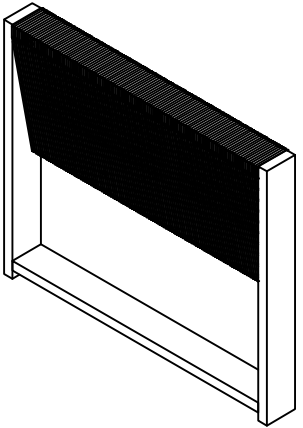
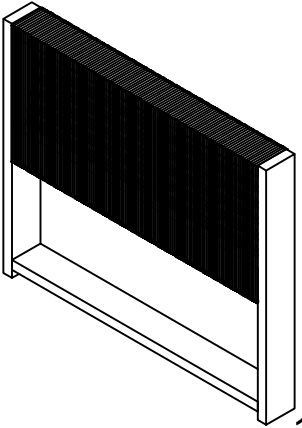
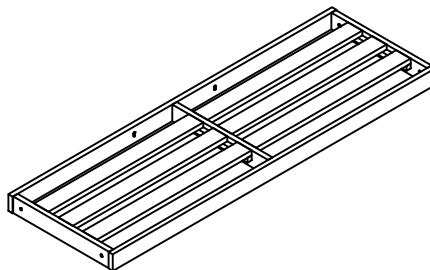
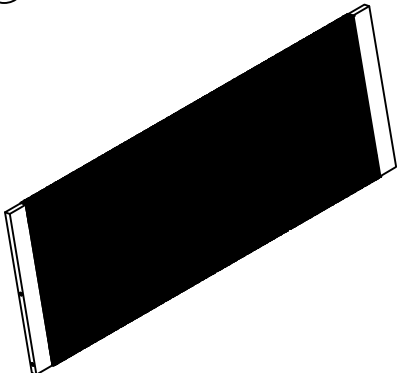
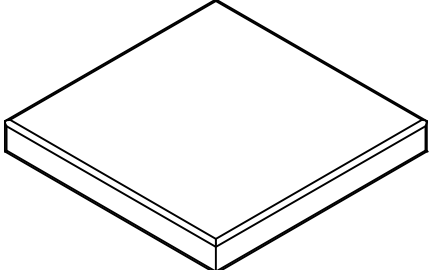
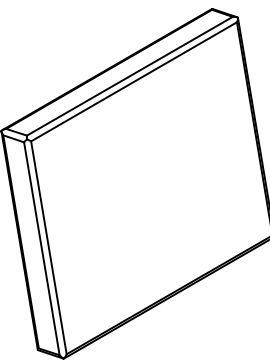

# Assembly Instruction





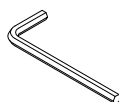
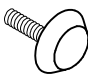
2 PERSONS



# PARTS LIST

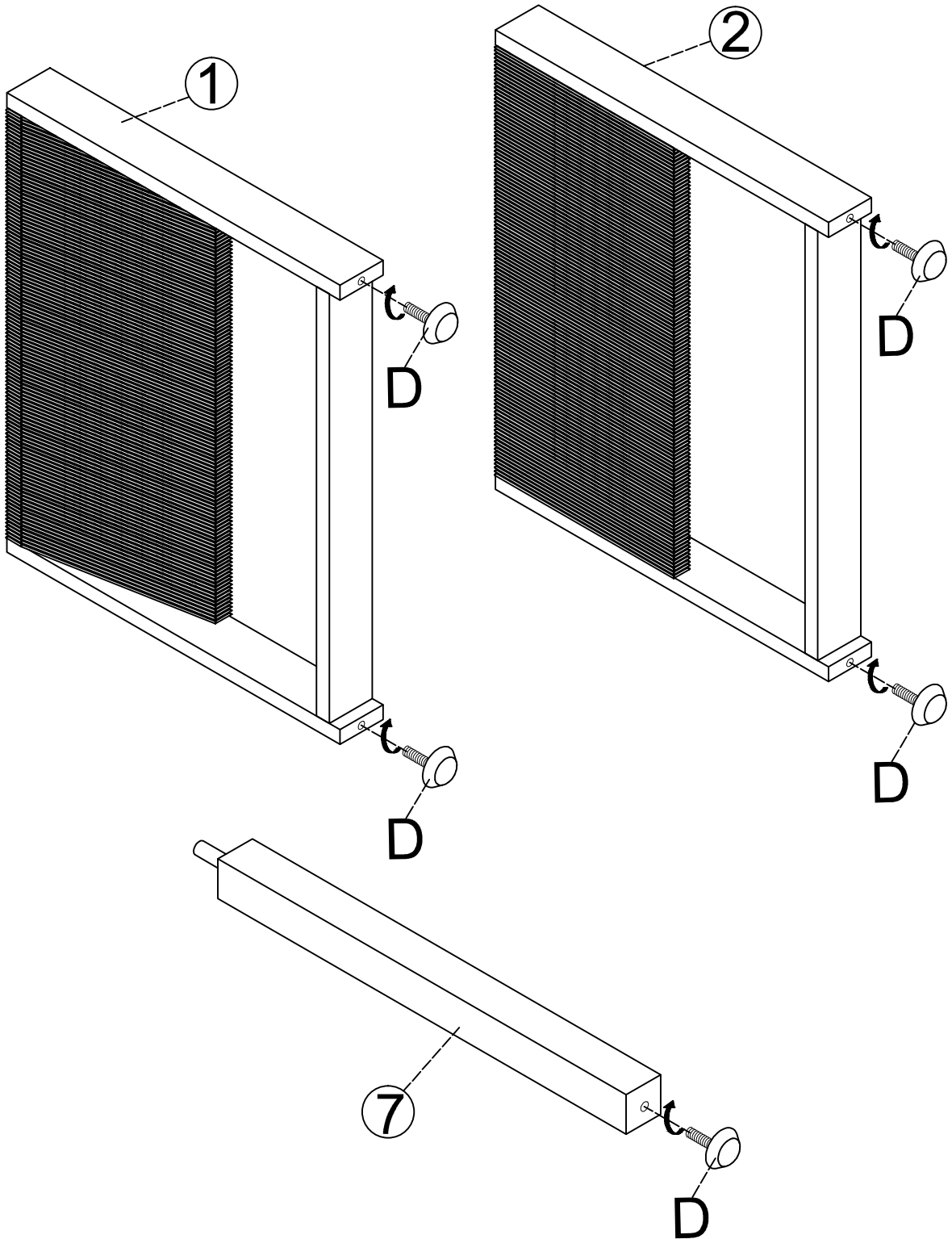
<p>①</p>  <p>1PC</p>	<p>②</p>  <p>1PC</p>	<p>③</p>  <p>1PC</p>
<p>④</p>  <p>1PC</p>	<p>⑤</p>  <p>3PC</p>	<p>⑥</p>  <p>3PC</p>
<p>⑦</p>  <p>1PC</p>		

# HARDWARE LIST

<p>A</p>  <p>M8x50mm 6PCS</p>	<p>B</p>  <p>M8x60mm 2PCS</p>	<p>C</p>  <p>1PC</p>	<p>D</p>  <p>5PCS</p>
--	--	---	--

# STEPS

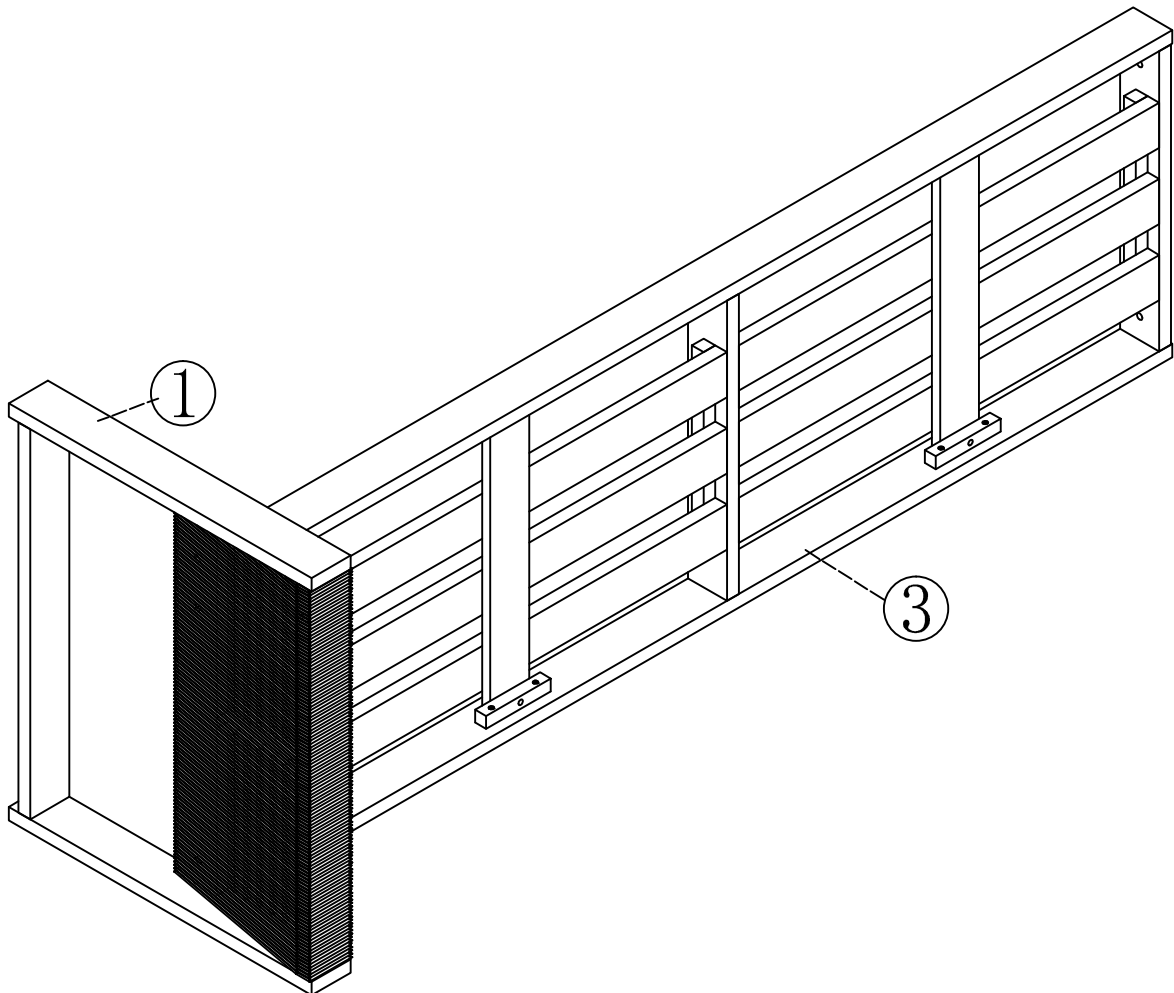
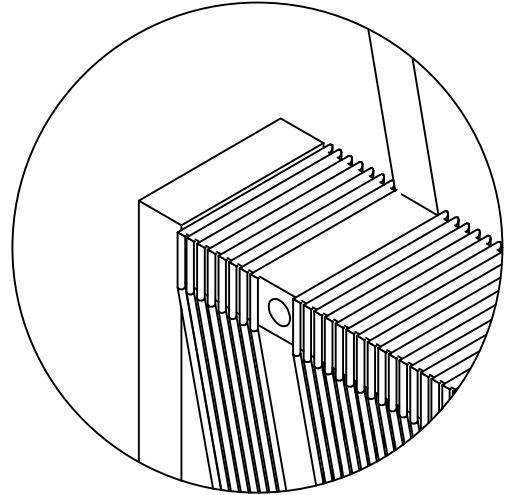
STEP-1  D x 5PCS



## STEPS



### STEP-2

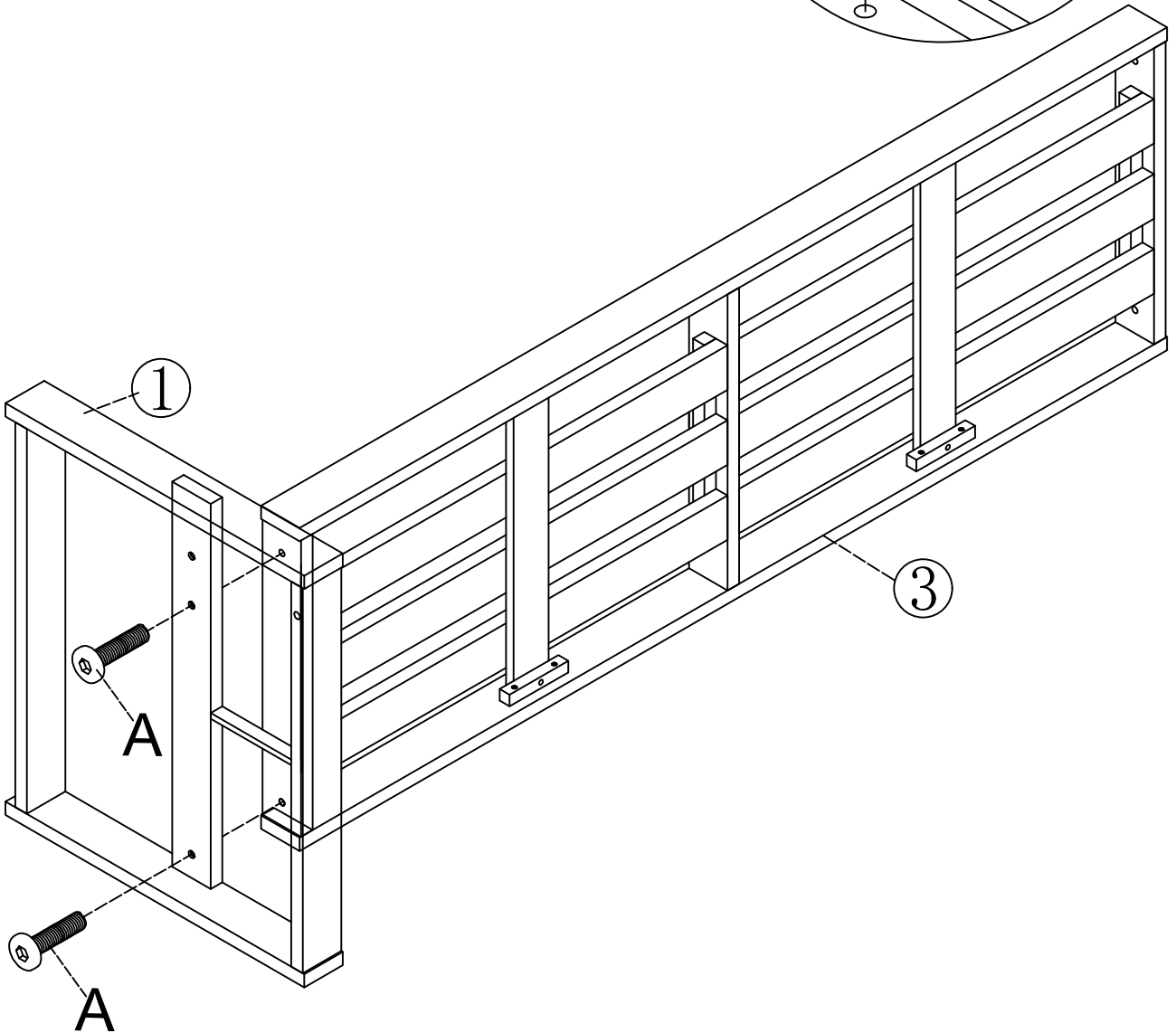
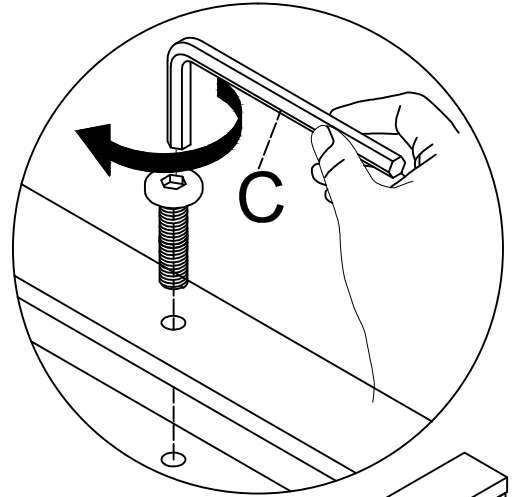
You need to unplug the canes and insert the screws if the canes block the assembly hole.



# STEPS

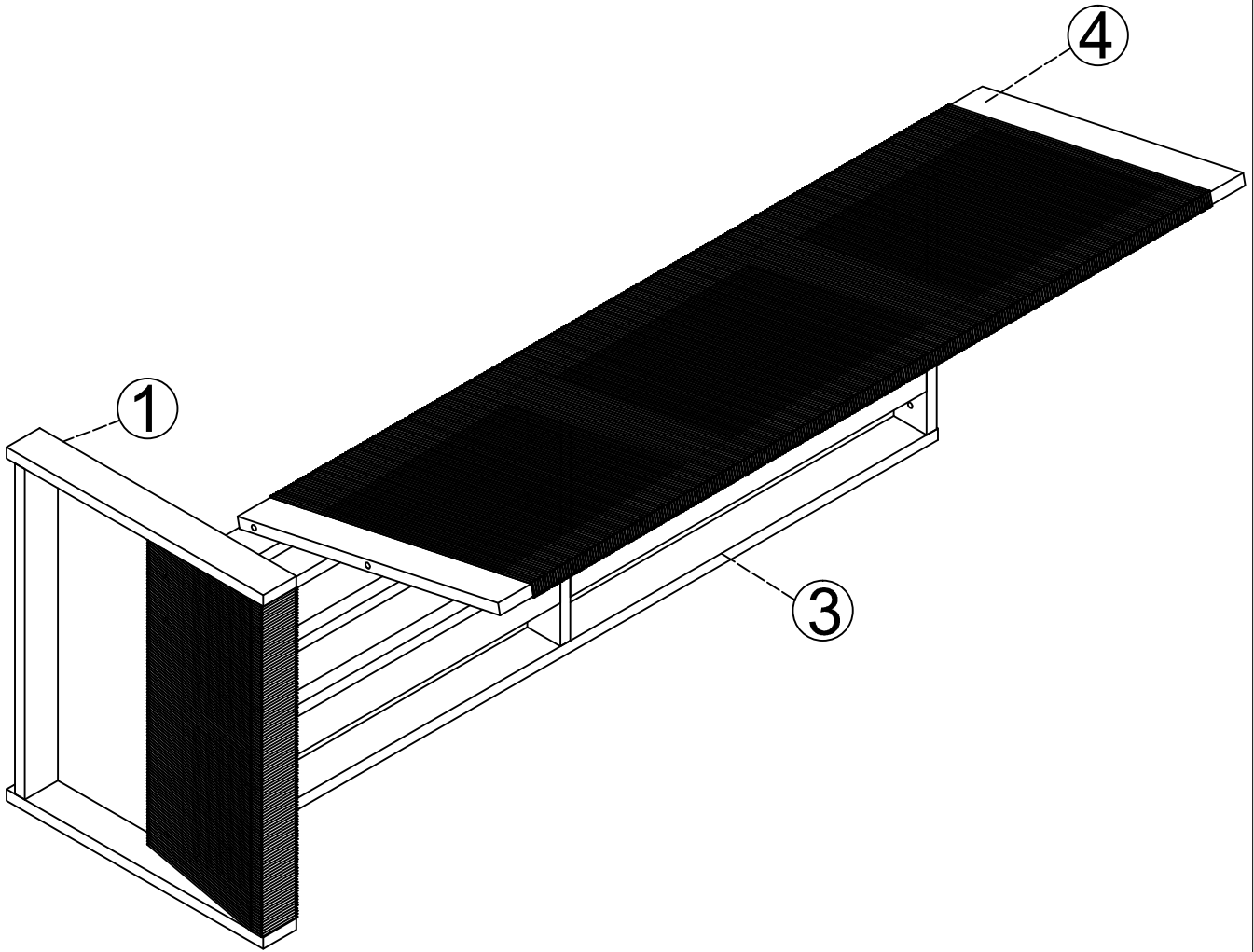
## STEP-3

	A x 2PCS
	C






# STEPS

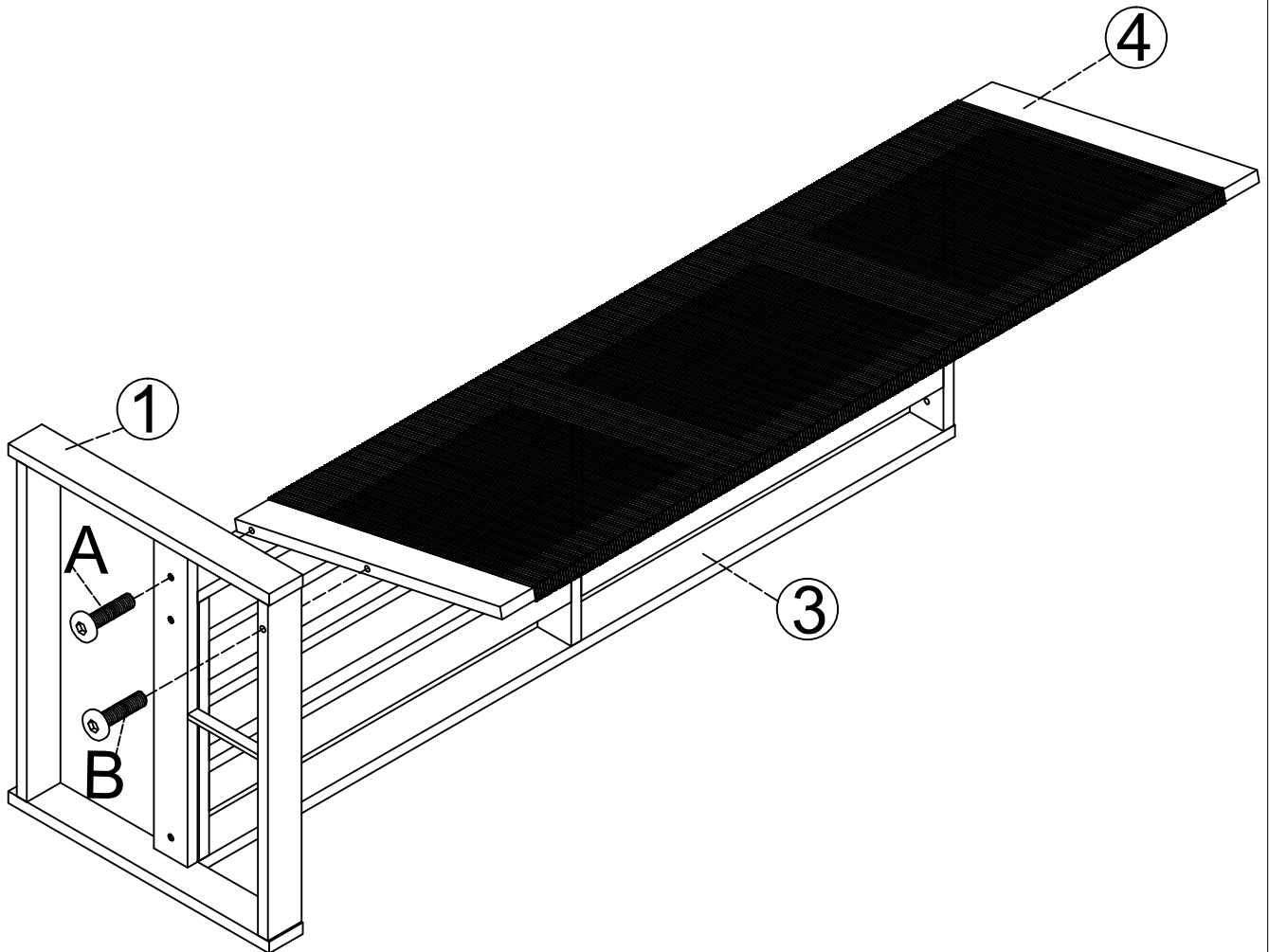
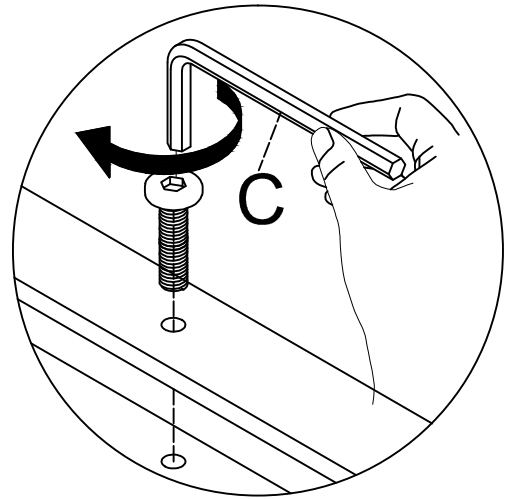
## STEP-4



# STEPS

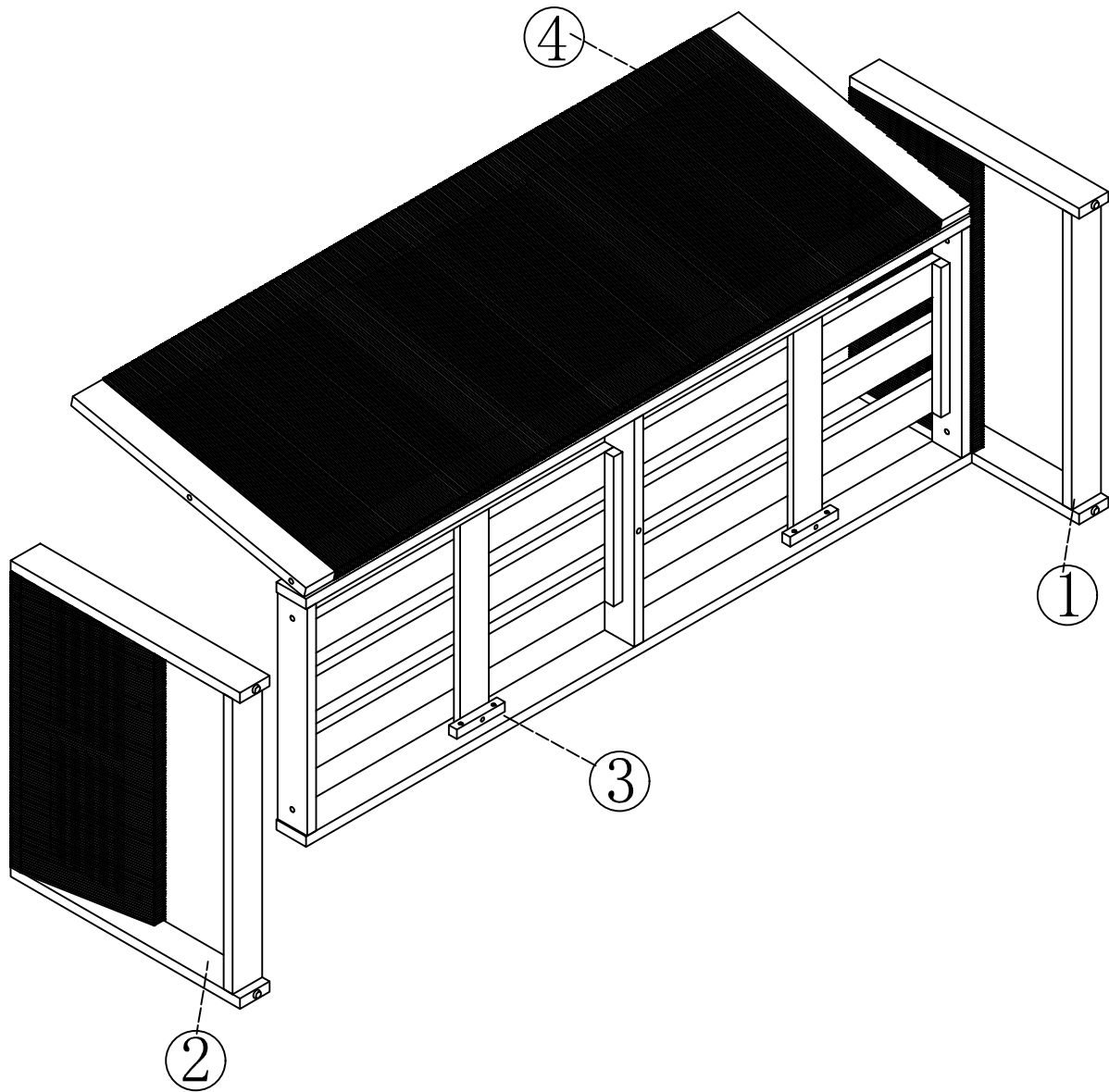
## STEP-5

	A x 1PC
	B x 1PC
	C






# STEPS

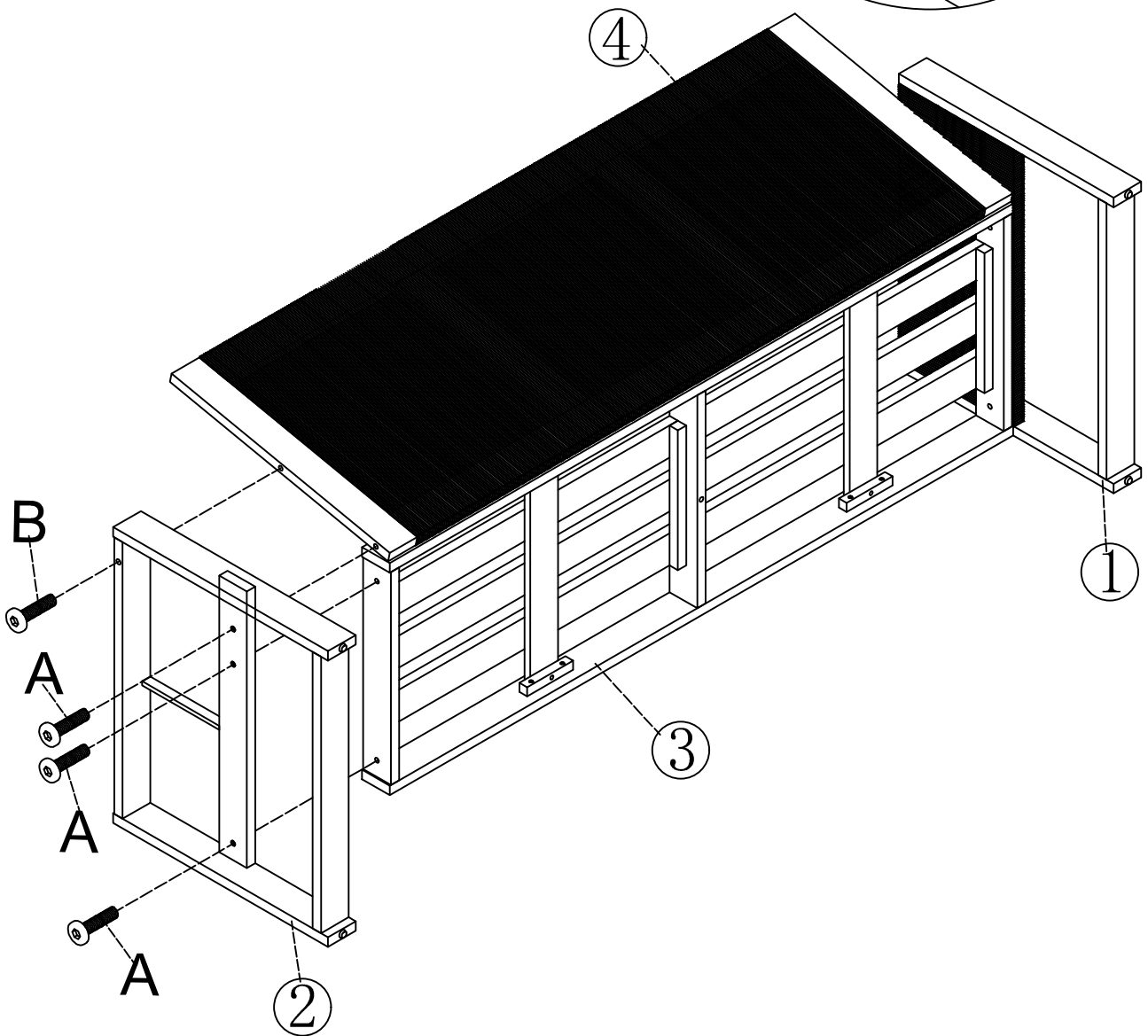
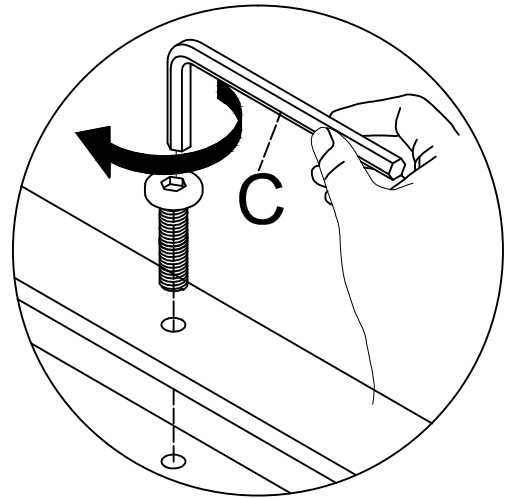
## STEP-6



# STEPS

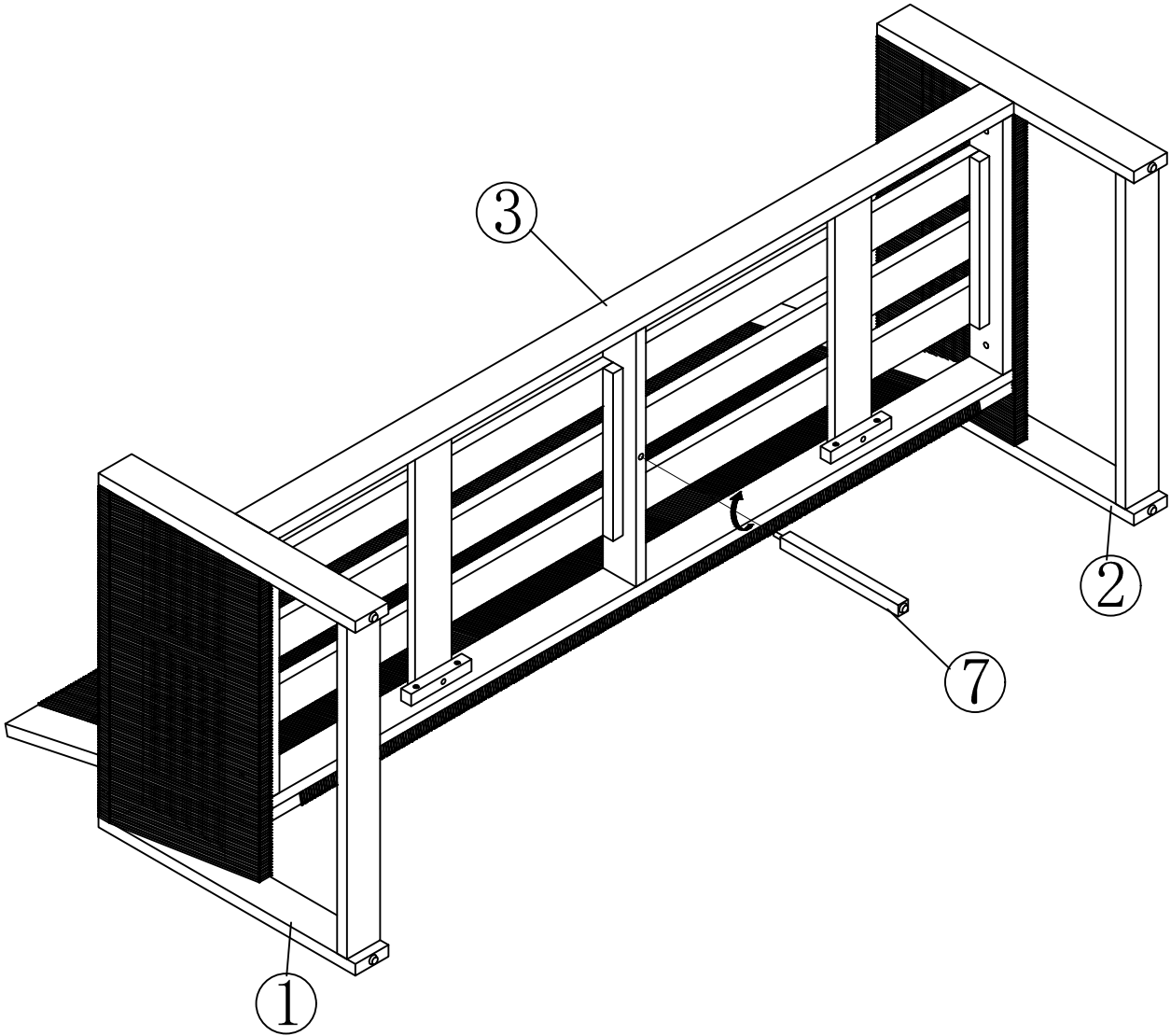
## STEP-7

	A x 3PCS
	B x 1PC
	C



# STEPS

## STEP-8



# STEPS

## STEP-9

