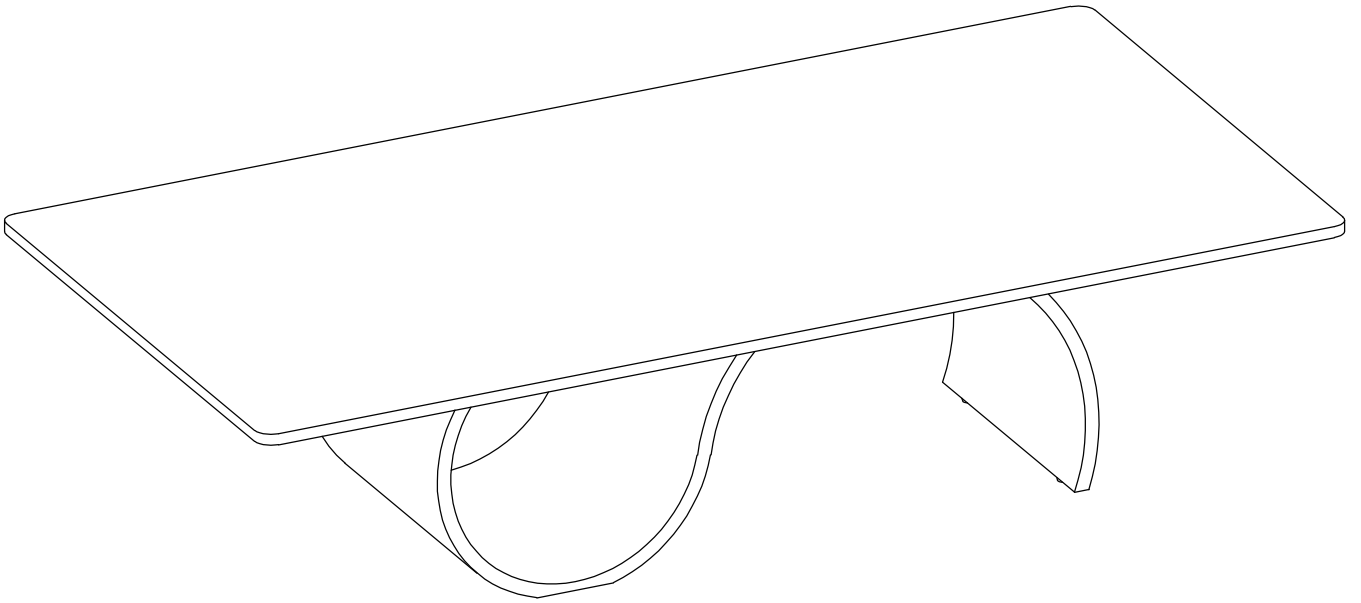


Assembly Instructions

取扱説明書



Contact Us

We're here to help you.

Your satisfaction is our top priority. If you encounter any issues with this product, such as missing or damaged parts, we're here to help. Please retain the original packaging and take photos of the packaging and the product, then contact us as soon as possible.

Assembly Instructions:

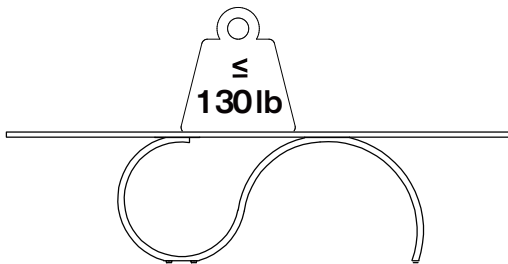
1. Carefully read these instructions and keep them for future reference.
2. Refer to the parts list for guidance and ensure that you have all the pieces before starting the assembly process. If anything is missing, damaged, incorrect, contact us **FIRSTLY BEFORE** assembling.
3. When assembling, place all parts on a soft, clean, and flat surface, such as a carpet, to prevent any scratches.
4. To avoid misalignment of the holes, please don't fully tighten the screws until you've ensured all parts are in place.

Maintenance & Care:

1. Place the sintered stone dining table in a flat, dry, and well-ventilated area.
2. Avoid direct impact of sharp objects on the table top.
3. Do not place high-temperature objects directly on the sintered stone top. These include hot pots, kettles from stoves, or other high-temperature items from ovens or microwaves. Use potstands with rubber feet or put heat-insulated pads to prevent damage.
4. For daily cleaning, gently wipe the surface with a soft damp cloth to remove grease and dirt.
5. Avoid cleaners containing acidic or abrasive ingredients, as they may damage the table.
6. It is not advisable to disassemble the sintered stone table. When moving it, multiple people should cooperate, and handle it gently.

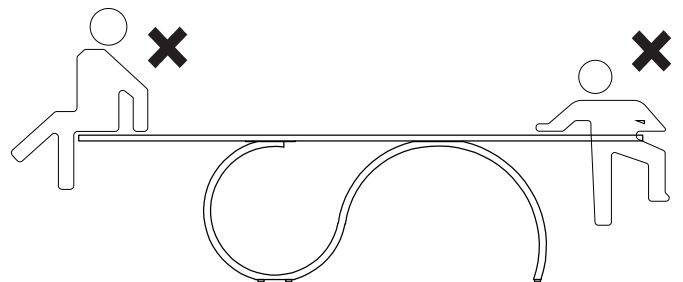
⚠ Caution

Do not put items exceeding 130 lb on the table, or it would collapse.



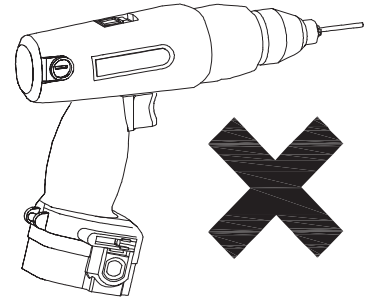
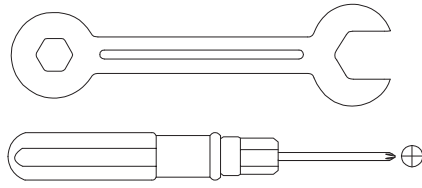
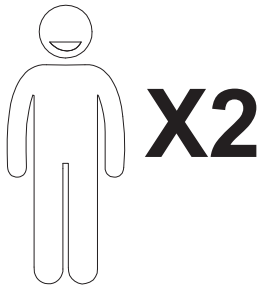
⚠ Caution

Do not sit or put pressure on one side of the table.



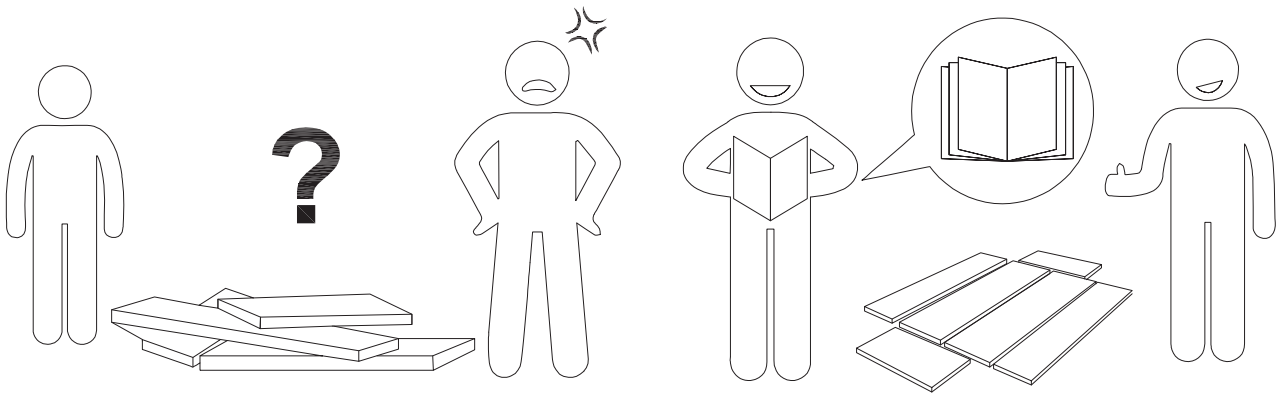
About Color Difference:

All product pictures are taken by our professional photographers, and colors are meticulously corrected and adjusted to be as consistent as possible with that of the actual items. However, different lighting, monitor settings, and individual interpretations may cause color differences. Besides, due to different cutting positions during the manufacturing process, there may be slight variations in patterns and colors on stone surfaces. Such issues do not fall under product quality problems.



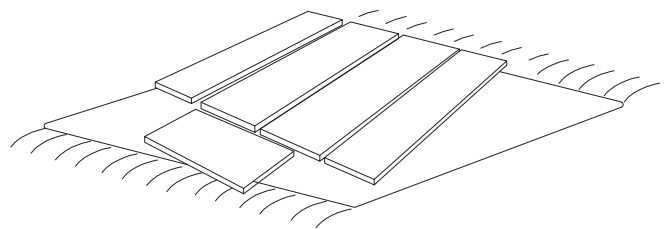
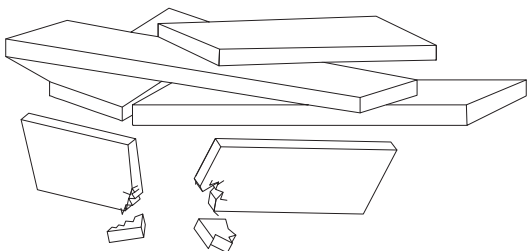
We recommend using hand tools for assembly.

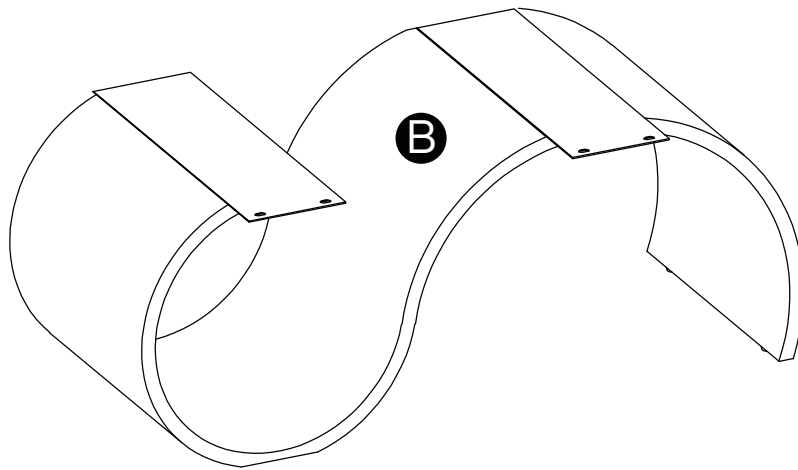
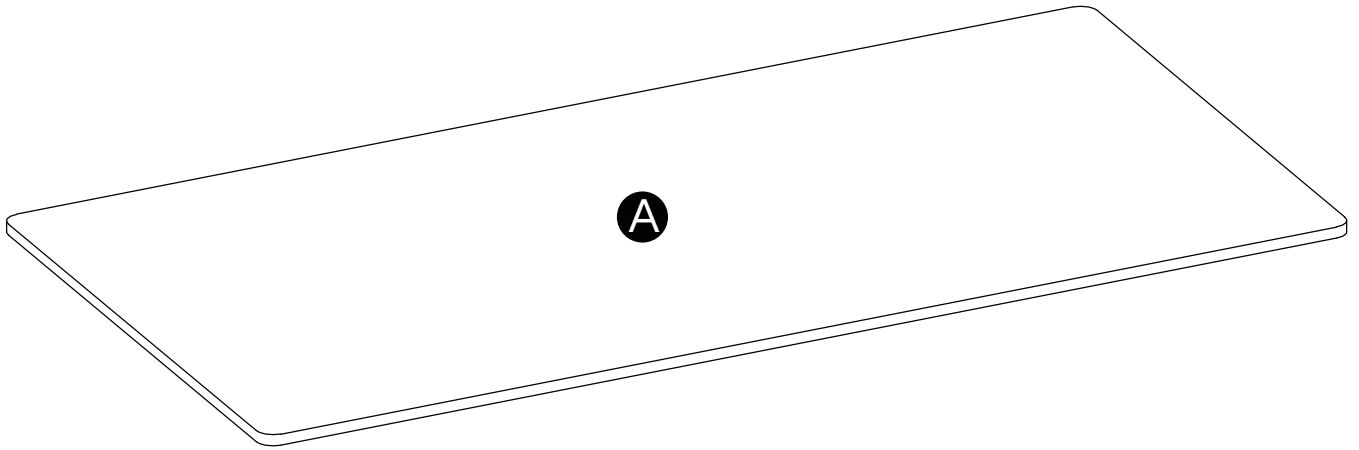
If an electric screwdriver is used, reduce power and torque to avoid damage to the product.



AVOID SCRATCHES

In order to avoid scratching, this furniture should be assembled on a soft surface, such as a rug.





Caution

EN - Check all parts. Most board parts are labeled on the edge.
Contact us for a free replacement if any are damaged or missing.

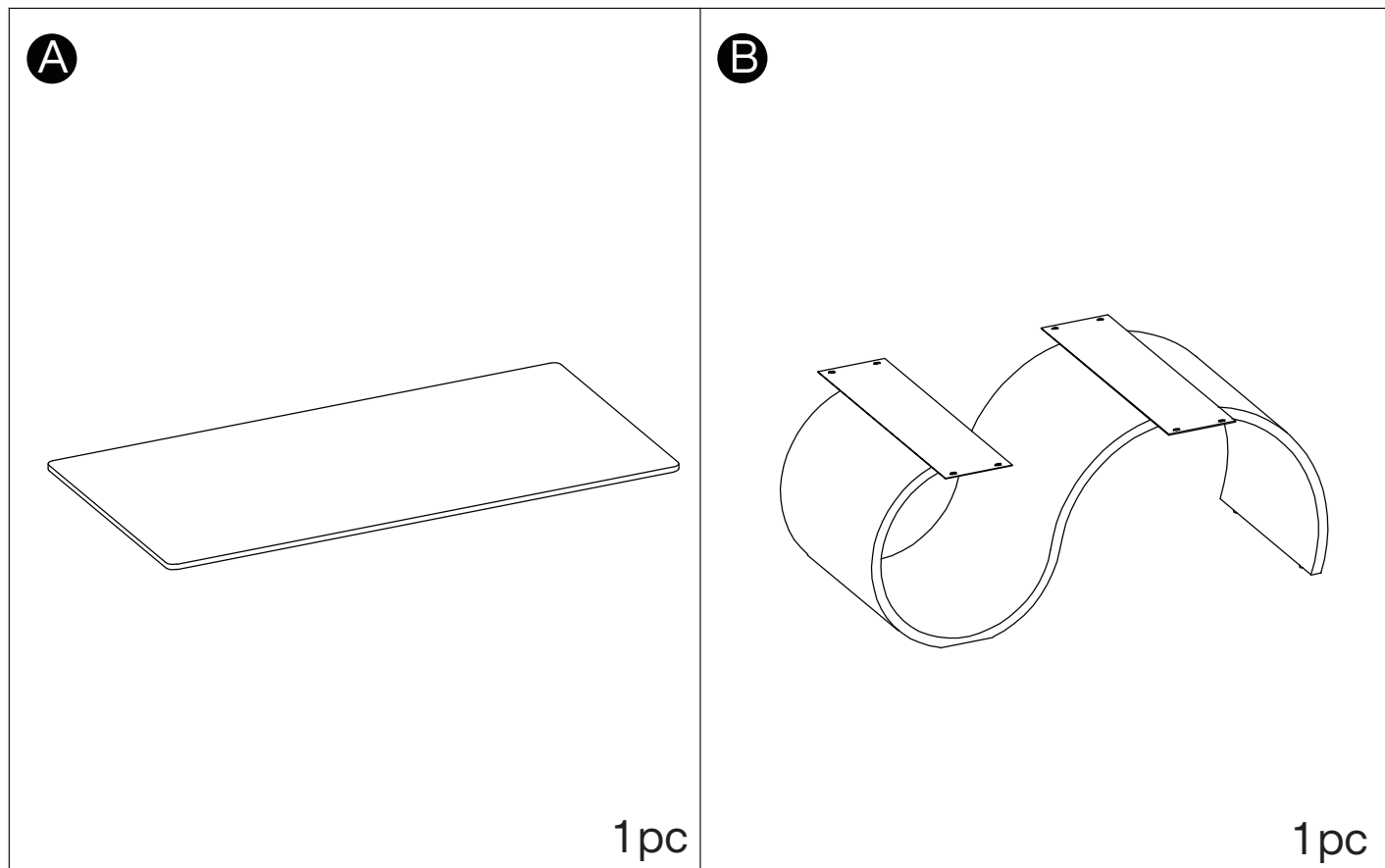
DE - Bitte überprüfen Sie alle Teile. Die meisten Platine-teile sind am Rand beschriftet.
Bitte kontaktieren Sie uns für einen kostenlosen Ersatz, falls etwas fehlt oder beschädigt ist.

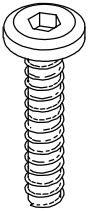
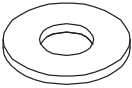
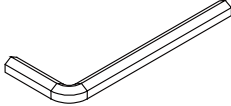
IT - Controllare tutte le parti. La maggior parte delle parti della scheda sono etichettate sul bordo.
Contattateci per ottenere una sostituzione gratuita se uno di essi è danneggiato o mancante.

FR - Vérifiez toutes les pièces. La plupart des pièces de la carte sont étiquetées sur le bord.
Contactez-nous pour un remplacement gratuit si l'une d'entre elles est endommagée ou manquante.




ES - Asegúrate de que todas las piezas estén incluidas. La mayoría de las piezas de la tabla están etiquetadas y estampadas en el borde sin rematar.
Contáctanos para obtener un reemplazo gratuito si encuentras piezas dañadas o faltantes.

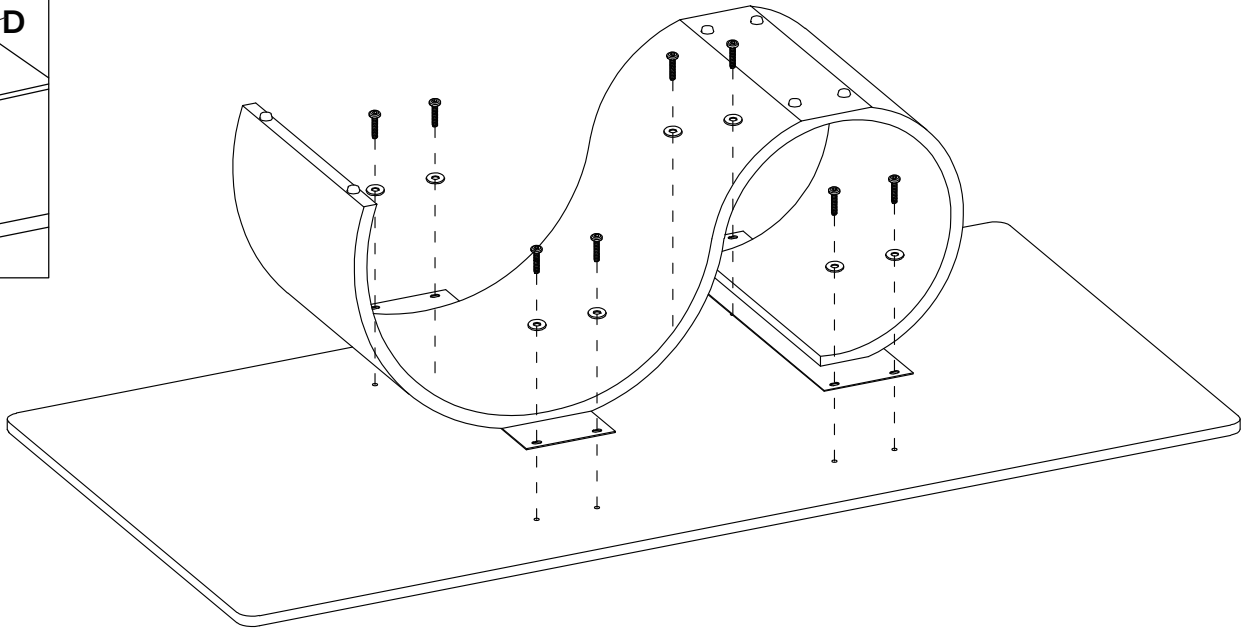
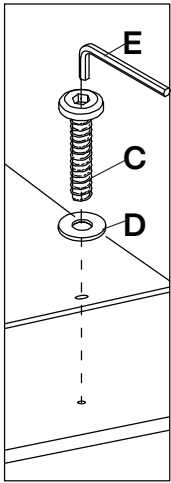
JP - 組み立てる前に、部品の数を確認してください。
部品の欠損・損傷は無料で交換いたします。ご不明点はお問い合わせください。



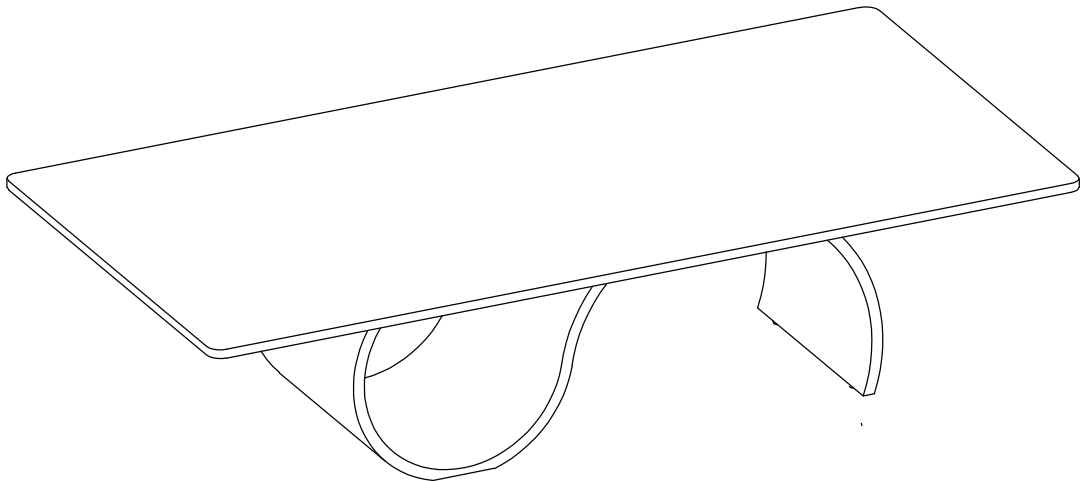
C	D	E	
 M8x20mm	 M8		
8 pcs	8 pcs	1 pc	

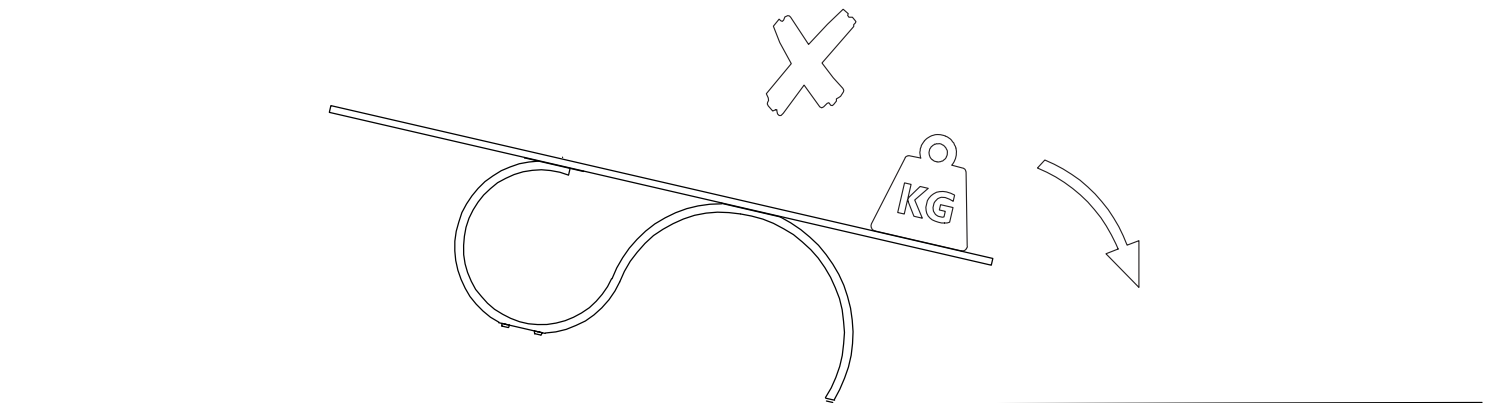
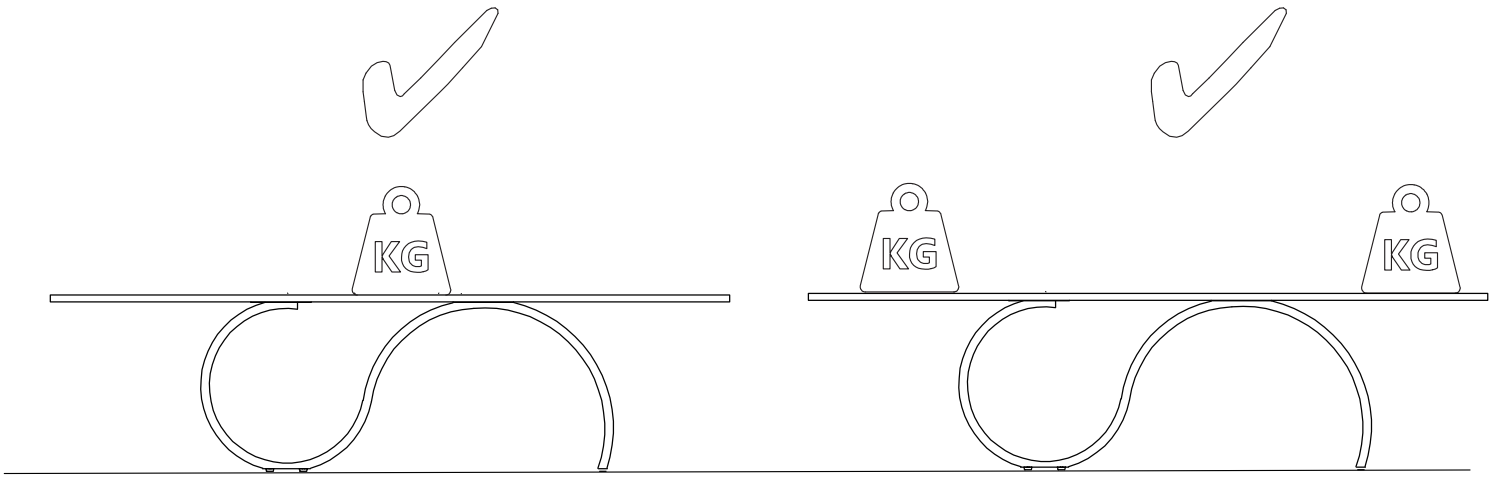
1

C	D	E
 M8x20mm	 M8	
8 pcs	8 pcs	1pc



2





EN - Don't sit or press on the table side.

DE - Bitte setzen Sie sich nicht oder drücken Sie sich nicht auf die Tischplatte.

IT - Non sedersi o premere sul lato del tavolo.

FR - Ne vous asseyez pas et n'appuyez pas sur le côté de la table.

ES - No se siente ni presione sobre el costado de la mesa.

ES - テーブルの上に座らないでください 重い物を一つ側に置かないでください。