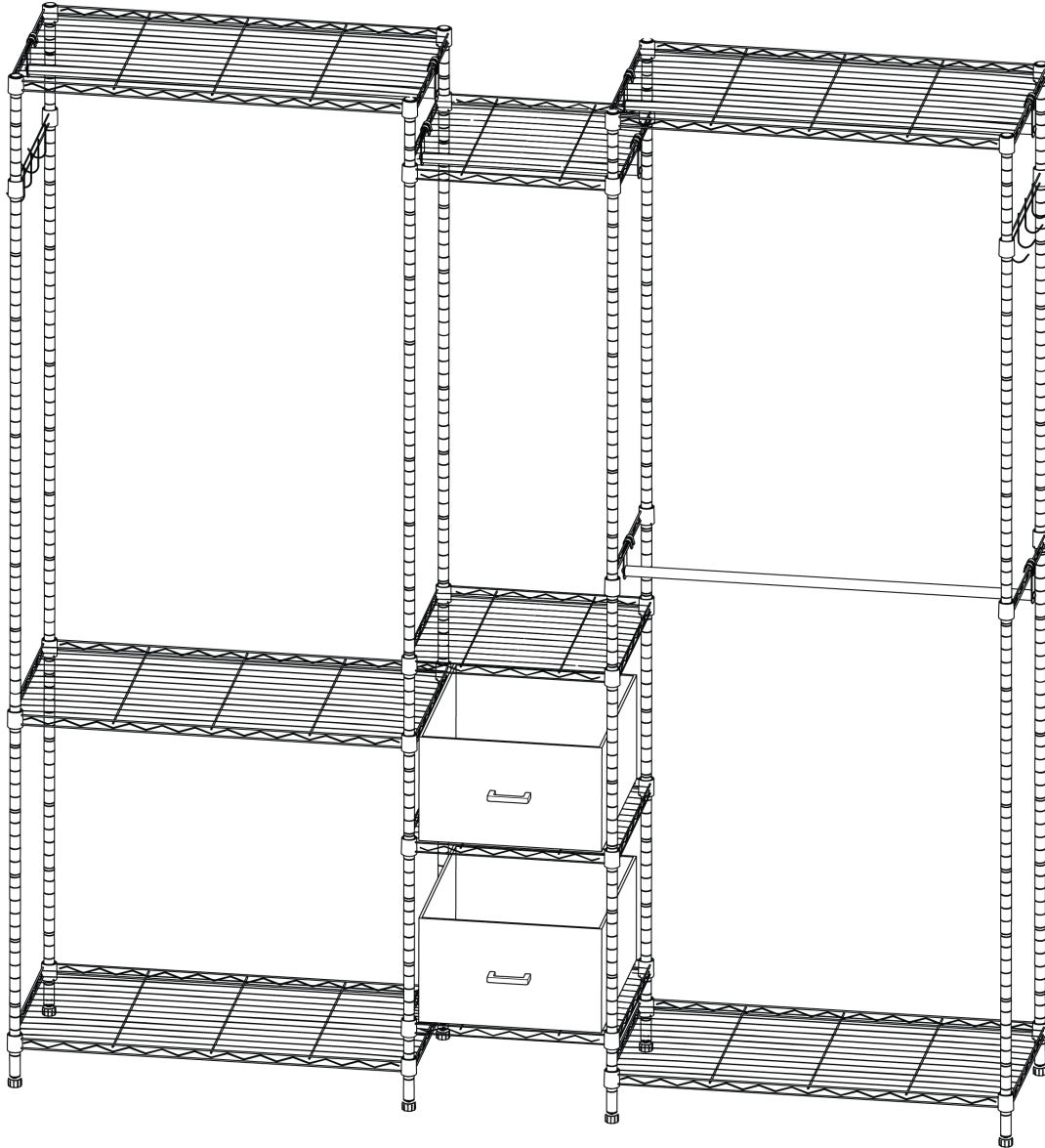


Tailor Garment Rack



BELLEZE[®]

FOLLOW US:

CONTACT INFO:

ITEM NO. 014-HG-44906



@bellezefurniture

support@belleze.com
1-800-682-6376

The instruction booklet contains **IMPORTANT** safety information. Please read it in full and keep it for future reference.

www.belleze.com

Scan this QR Code
to view our online tutorial



Estimated time for assembly:

40 mins



Weight limitations are as follows:

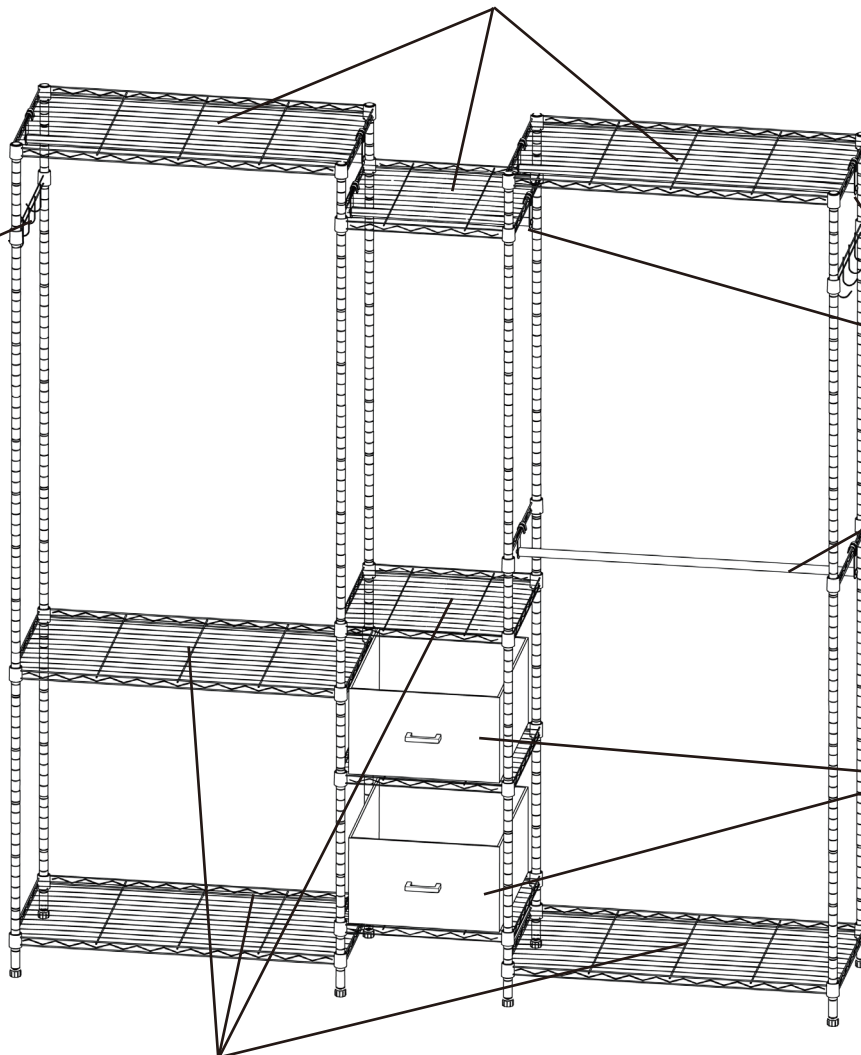
Maximum Load
11 lb
(Support Rail
with Hooks)

Maximum Load
66 lb
(Shelves)

Maximum Load
33 lb
(Hanging Rod)

Maximum Load
11 lb
(Drawer)

Maximum Load
66 lb
(Shelves)





Assemble the furniture on an empty carton, carpet, or rug to prevent scratches or damage.

For safety, please keep pets and children away from the assembly area.

Ensure the product is fully assembled before use. If you are missing any hardware or products, do not use it until you have restored the missing parts.



This furniture requires 2 people for assembly.

Read this instruction manual prior to assembly to familiarize yourself with the various steps.

Lay out all components and hardware separately on a flat surface and make sure that no parts are missing or damaged before assembly. Do not destroy or discard any packaging until you are certain that you have all the necessary parts for assembly.

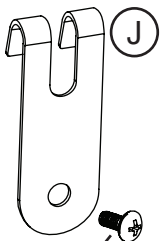
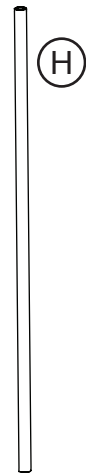
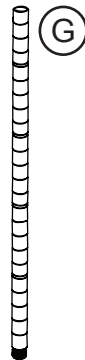
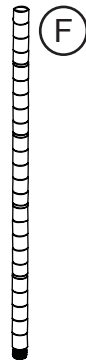
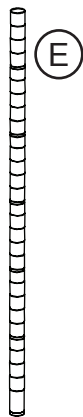
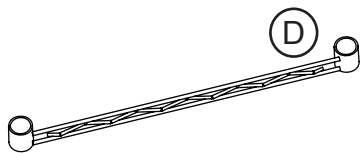
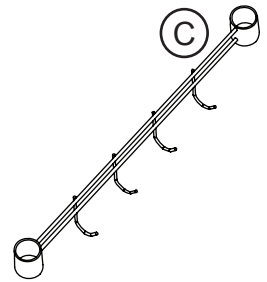
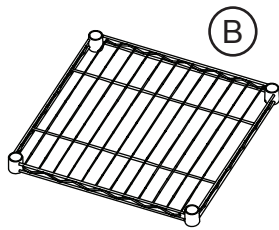
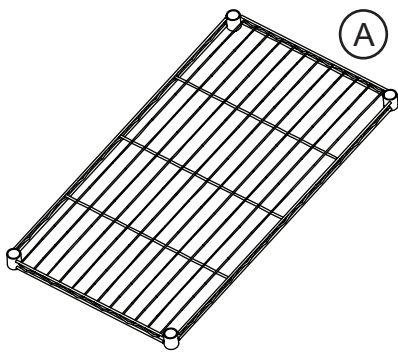
Hand tight all hardware and careful not to over tighten to avoid damaging the product.

CAUTION

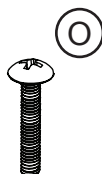
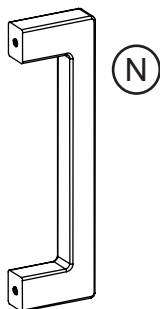
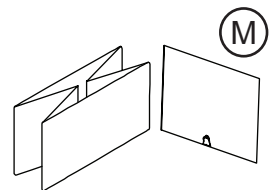
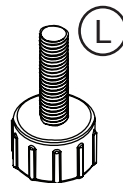
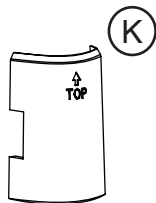
There are small components used in the construction of this product. Loose items should be kept away from pets and children to avoid a choking hazard.

Keep all plastic bags and packaging film away from pets and children to avoid suffocation.

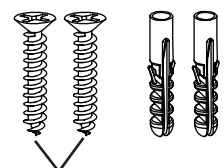
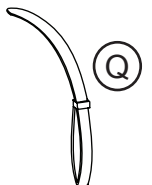
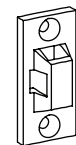
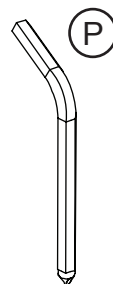
PACKAGE CONTENTS



Φ 0.236"x0.787"



Φ 0.157"x0.945"



Φ 0.157"x0.787"

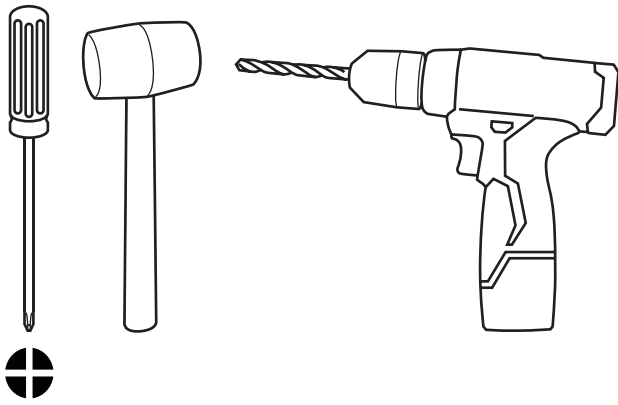


Install all hardware perpendicular to the opening.

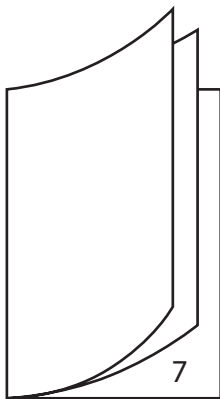
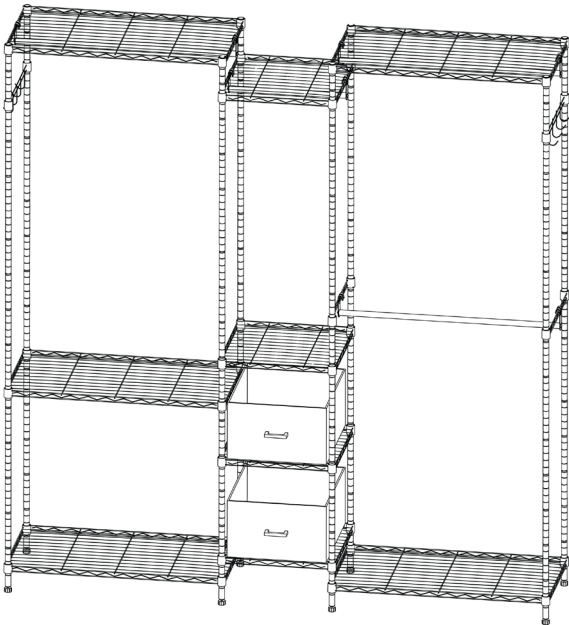
PACKAGE CONTENTS

CODE	DESCRIPTION	QTY
A	Large Shelf	5
B	Small Shelf	4
C	Support Rail with Hooks	2
D	Support Rail	2
E	Lower Pole	8
F	Middle Pole	8
G	Upper Pole	8
H	Long Hanging Rod	3
I	Short Hanging Rod	1
J	Hook Bracket with Screw	8
K	Plastic Clip	88 + 4X
L	Leveling Feet	8
M	Foldable Drawer and Bottom Board	2
N	Drawer Handle	2
O	Screw	4
P	Allen Wrench / Screw Driver	1
Q	Anti-Tip Device	2

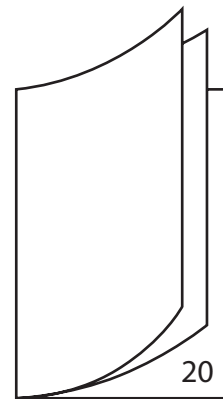
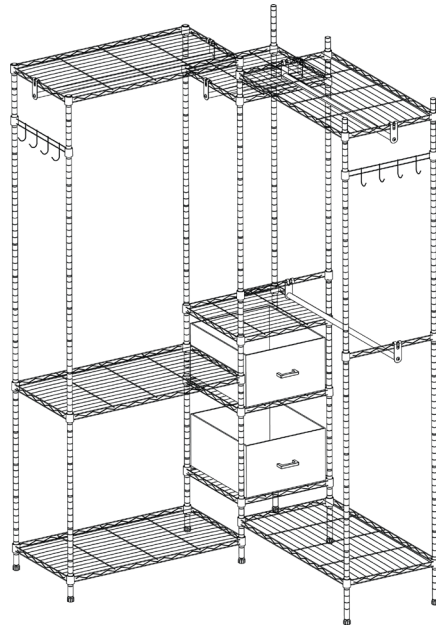
Required tools for assembly (Not included)



Option 1 (Straight Configuration)



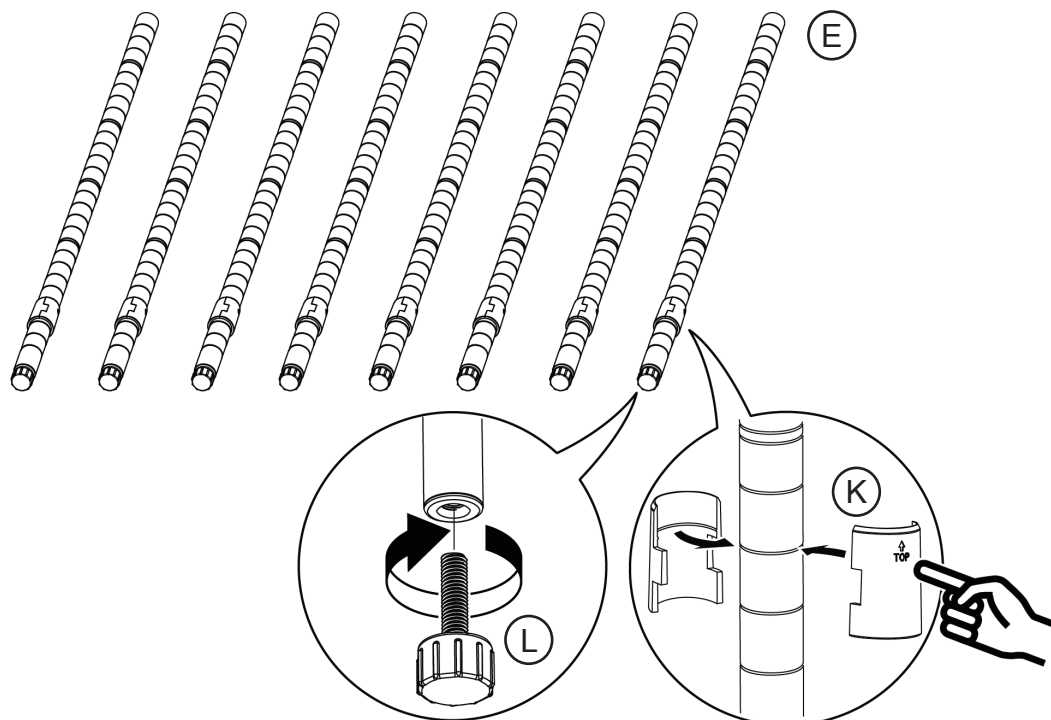
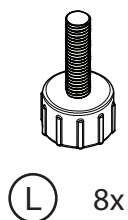
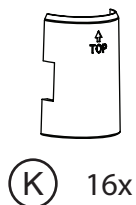
Option 2 (L-Shaped Configuration)



STRAIGHT CONFIGURATION ASSEMBLY (OPTION 1)

1

Screw leveling feet (L) to the bottom end of each lower pole (E).
Snap a pair of plastic clips (K) on each pole.



NOTE:

When assembling the plastic clip, the flange inside the plastic clip must align to the groove on the pole.

The arrow on the side of the plastic clip must be pointing to the top of the pole.

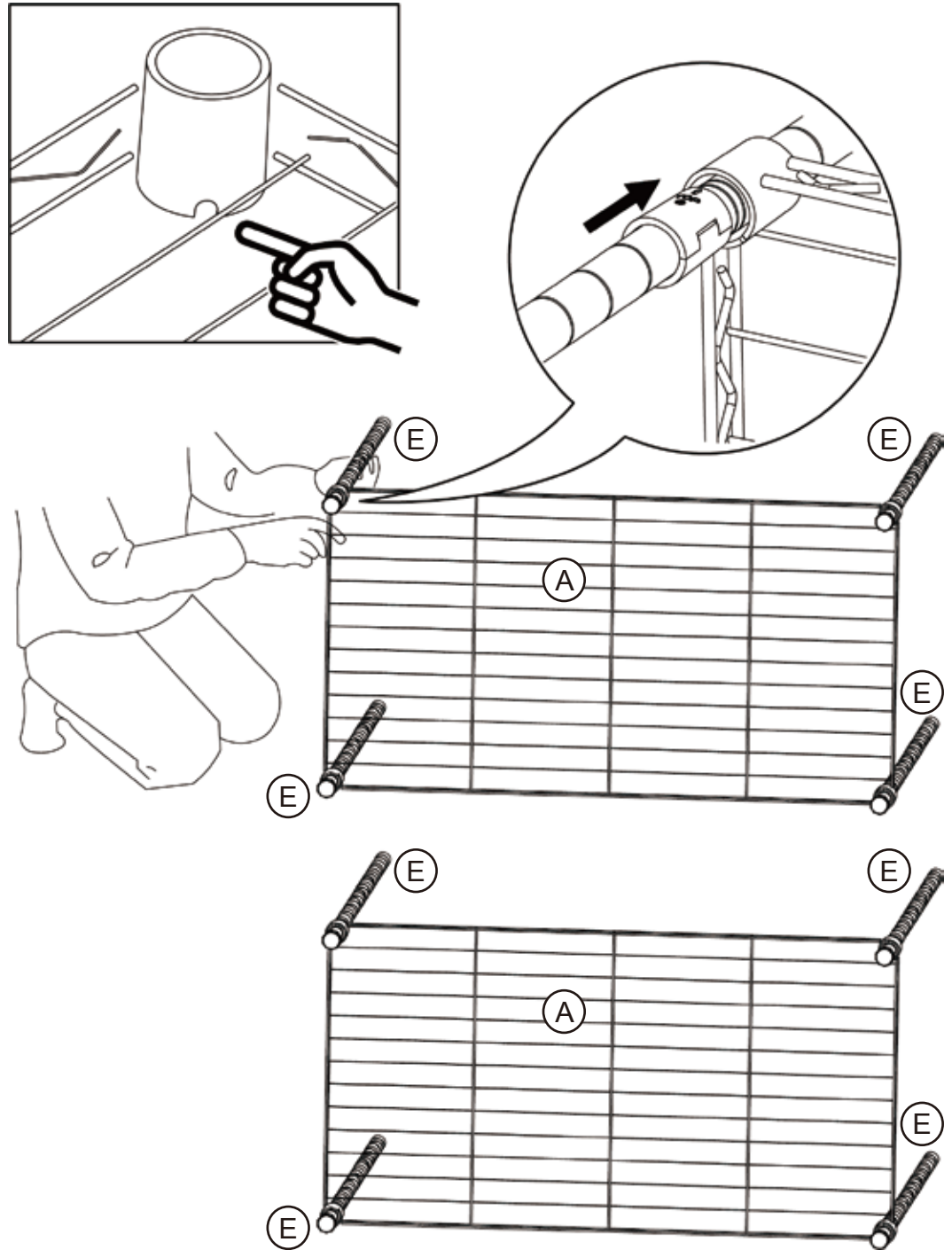
All plastic clips must be assembled on the same position on all the poles at your desired height.

2

Insert 4 lower poles (E) to a large shelf (A) until the shelf fits on the plastic clips. Repeat the same for 1 more assembly.

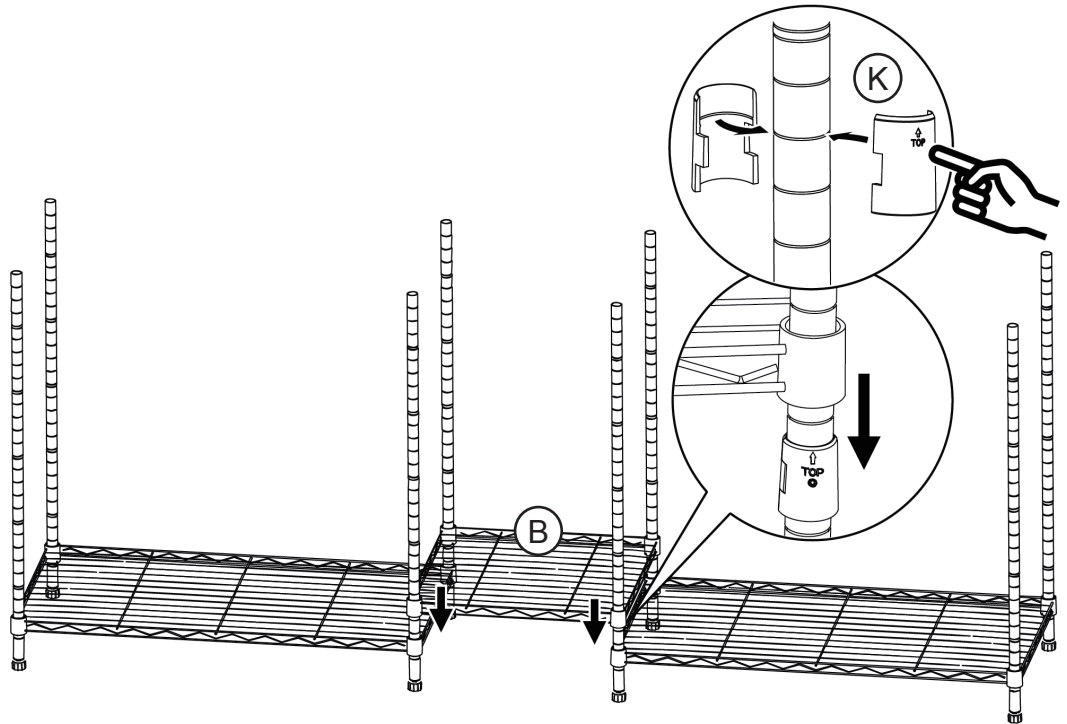
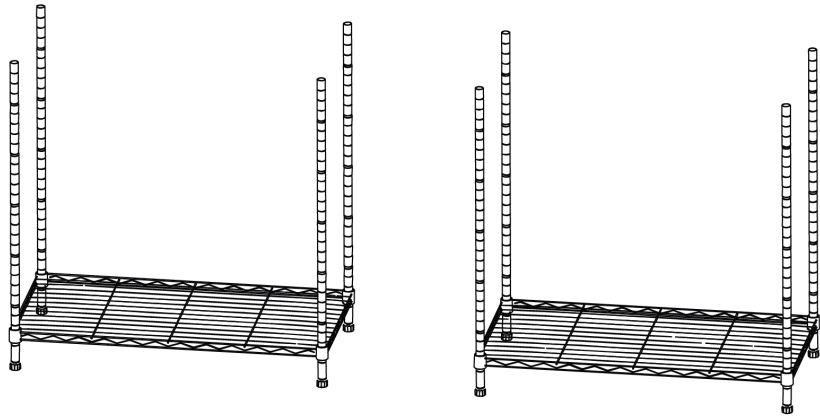
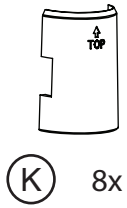
NOTE:

The wider opening must be on the bottom end for proper assembly.



3

Set the two rack assemblies upright and snap plastic clips (K) on the poles, then slide in a small shelf (B) to the middle.

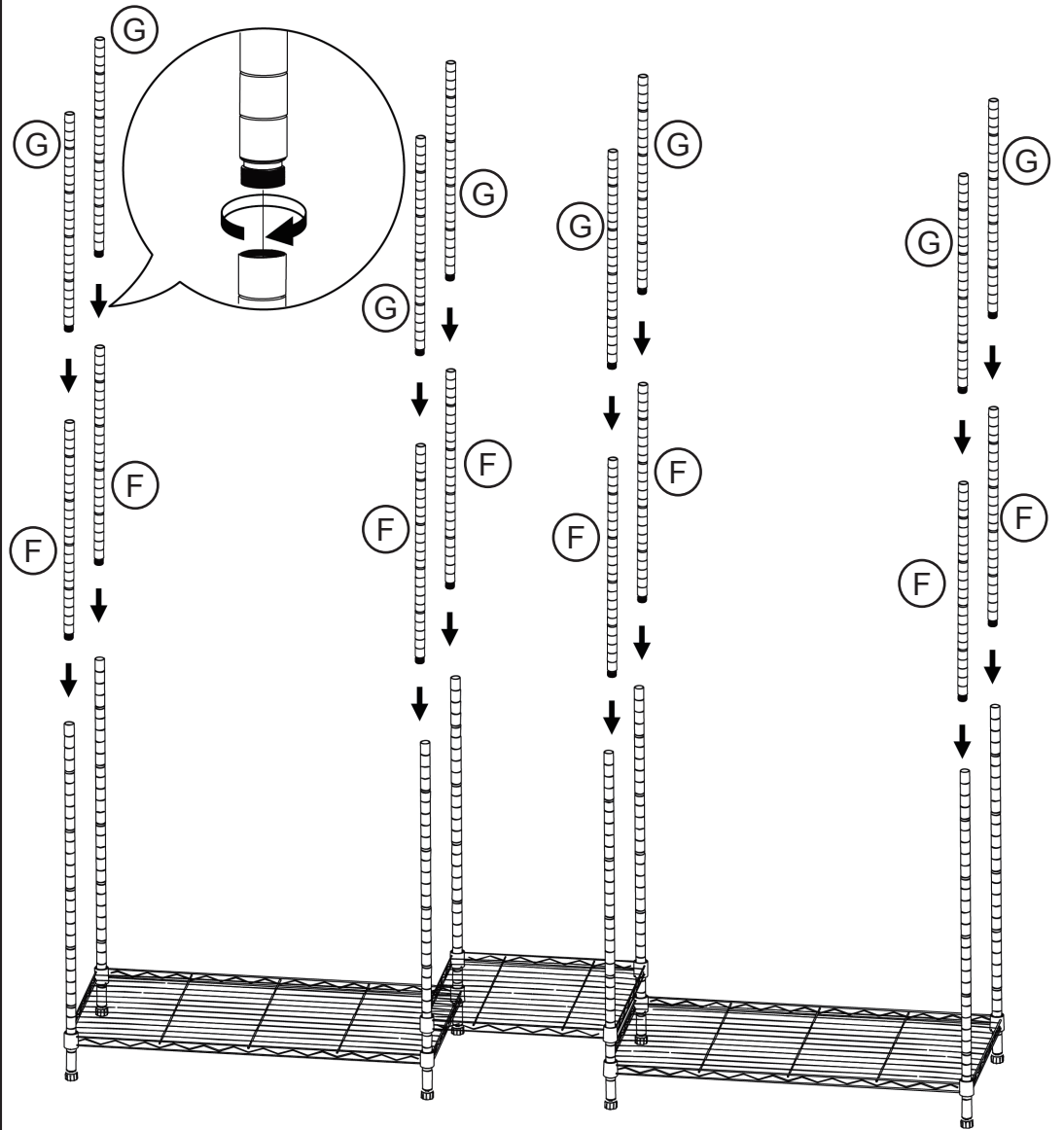


NOTE:

When assembling the plastic clip, the flange inside the plastic clip must align to the groove on the pole.
The arrow on the side of the plastic clip must be pointing to the top of the pole.
All plastic clips must be assembled on the same position on all the poles at your desired height.

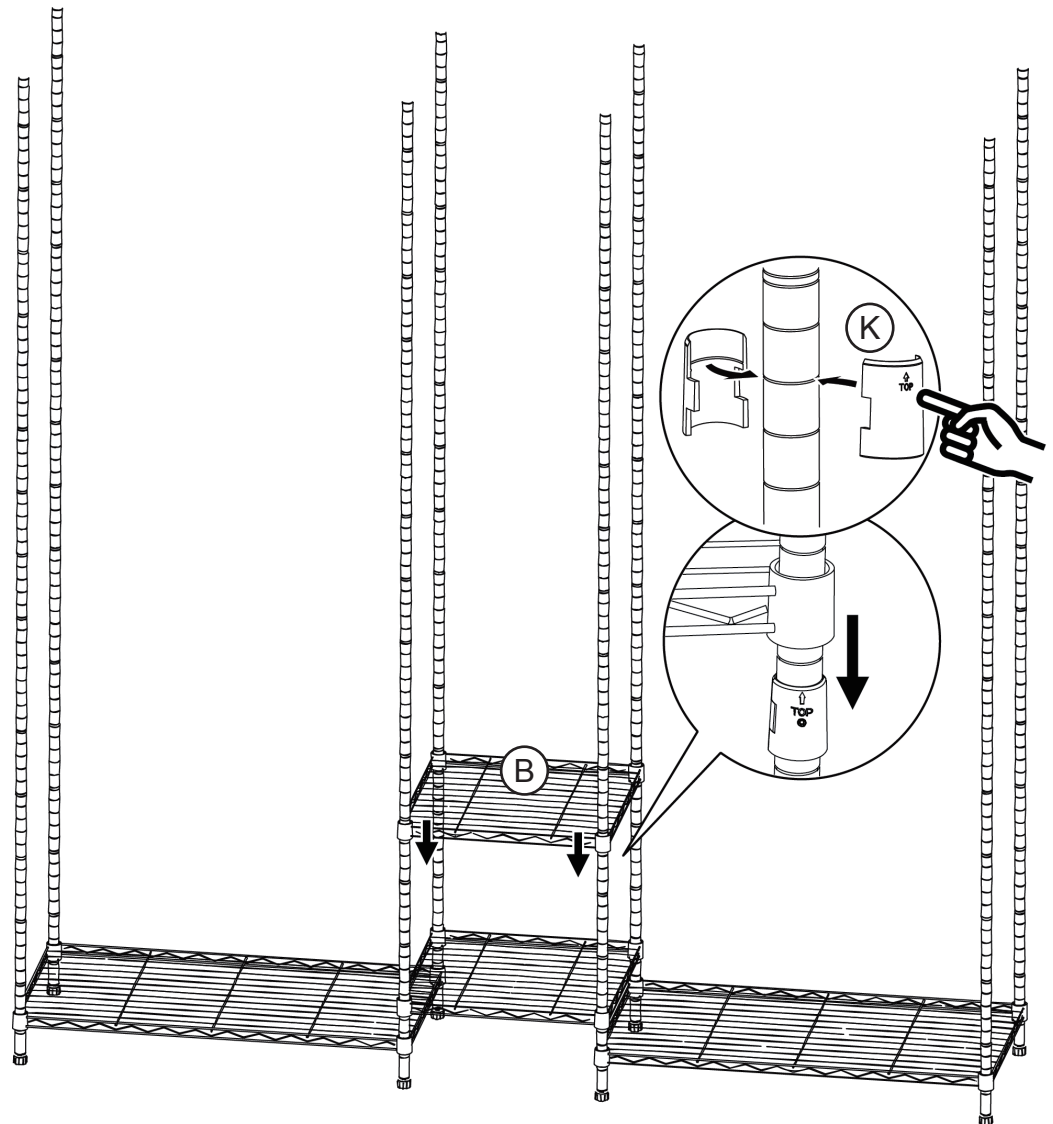
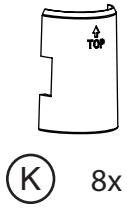
4

Attach middle poles (F) and upper poles (G) on top of each lower pole.



5

Assemble plastic clips (K) on the center 4 poles and slide in a small shelf (B).



NOTE:

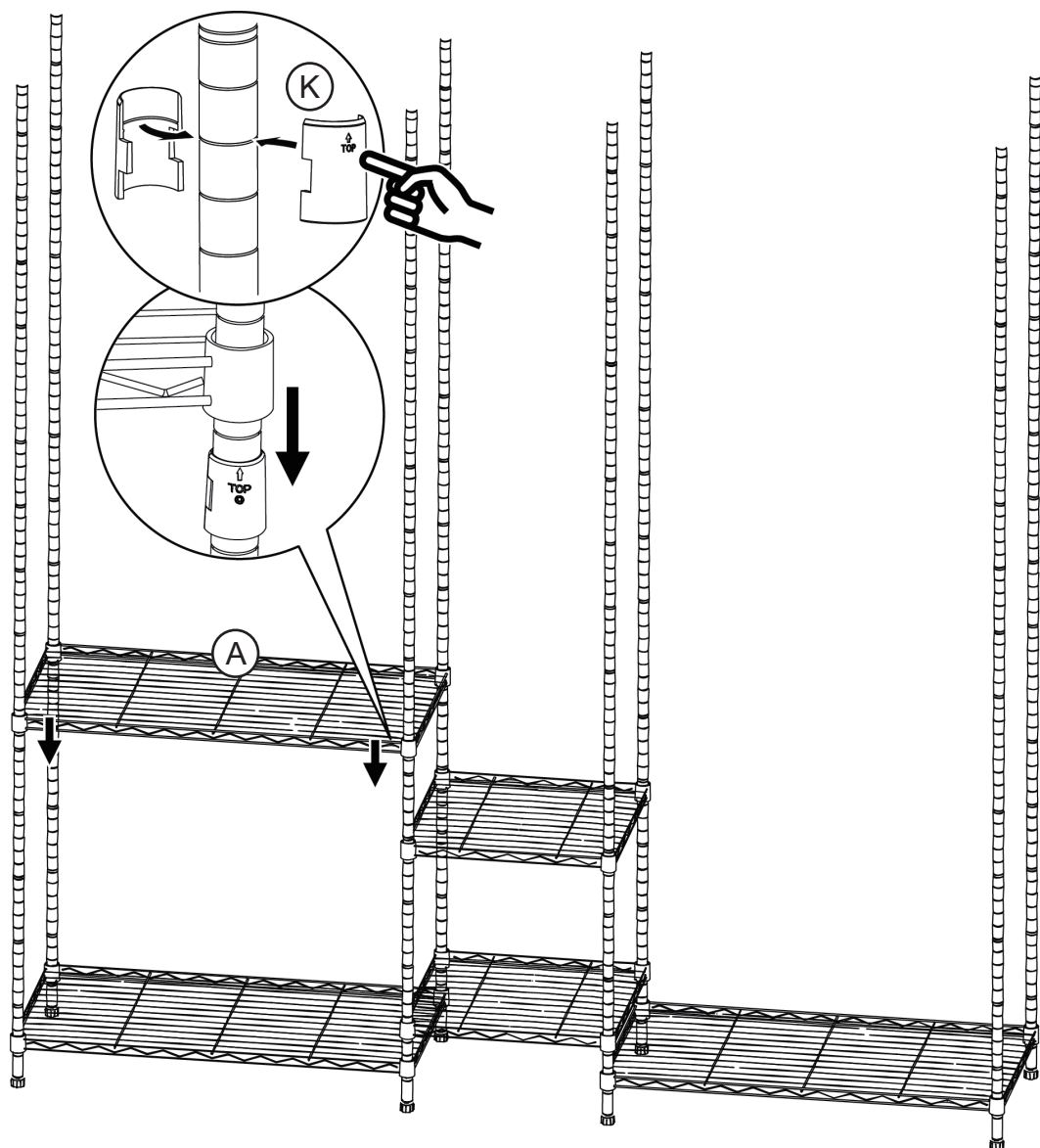
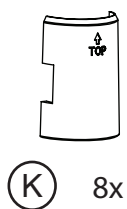
Make sure the distance between the small shelves (B) is slightly more than 9 inches for placing the drawer.

When assembling the plastic clip, the flange inside the plastic clip must align to the groove on the pole.

The arrow on the side of the plastic clip must be pointing to the top of the pole. All plastic clips must be assembled on the same position on all the poles at your desired height.

6

Assemble plastic clips (K) to the left 4 poles and put on a large shelf (A).

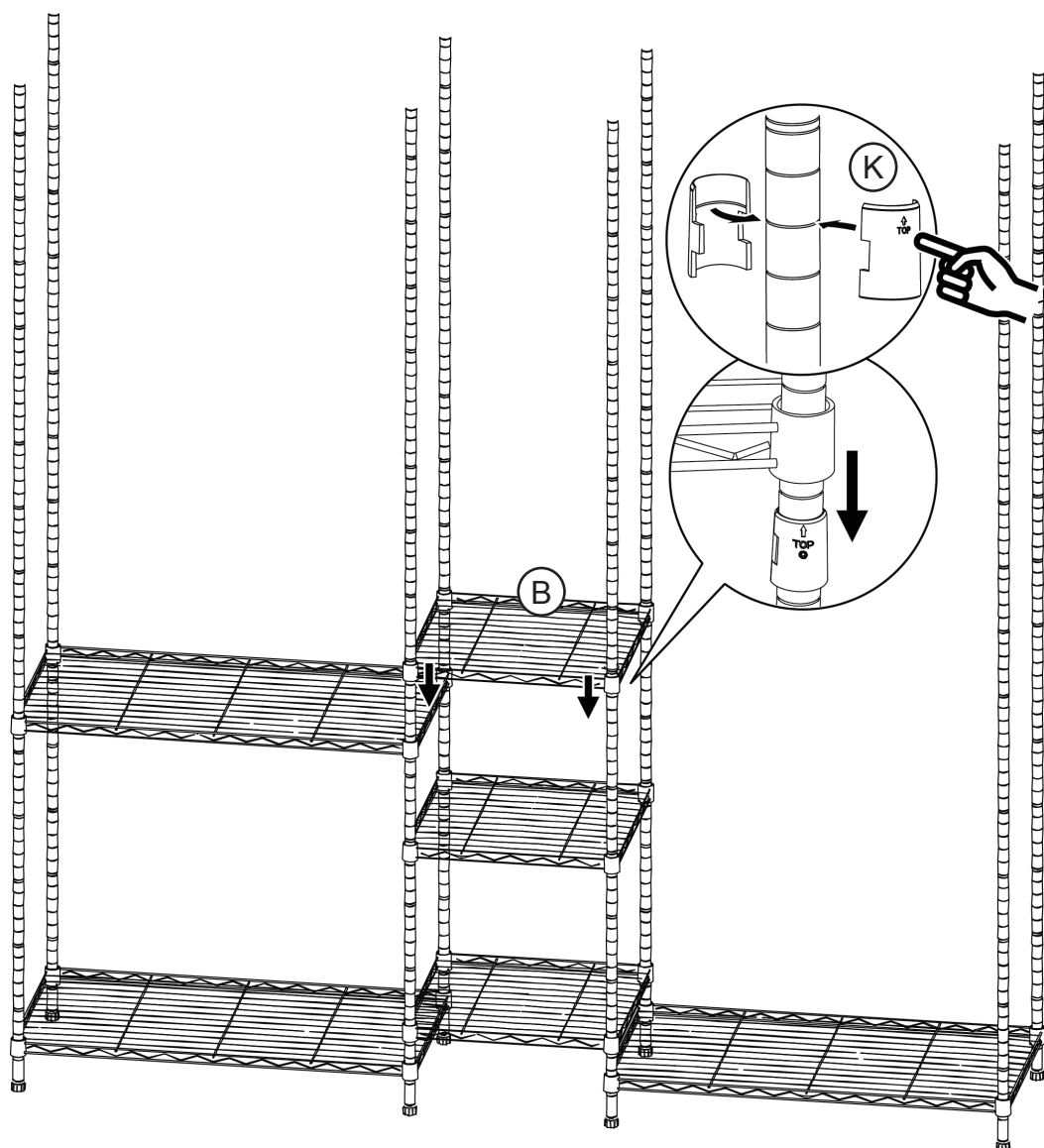
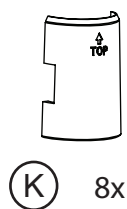


NOTE:

When assembling the plastic clip, the flange inside the plastic clip must align to the groove on the pole.
The arrow on the side of the plastic clip must be pointing to the top of the pole.
All plastic clips must be assembled on the same position on all the poles at your desired height.

7

Assemble plastic clips (K) on the center 4 poles and slide in a small shelf (B).



NOTE:

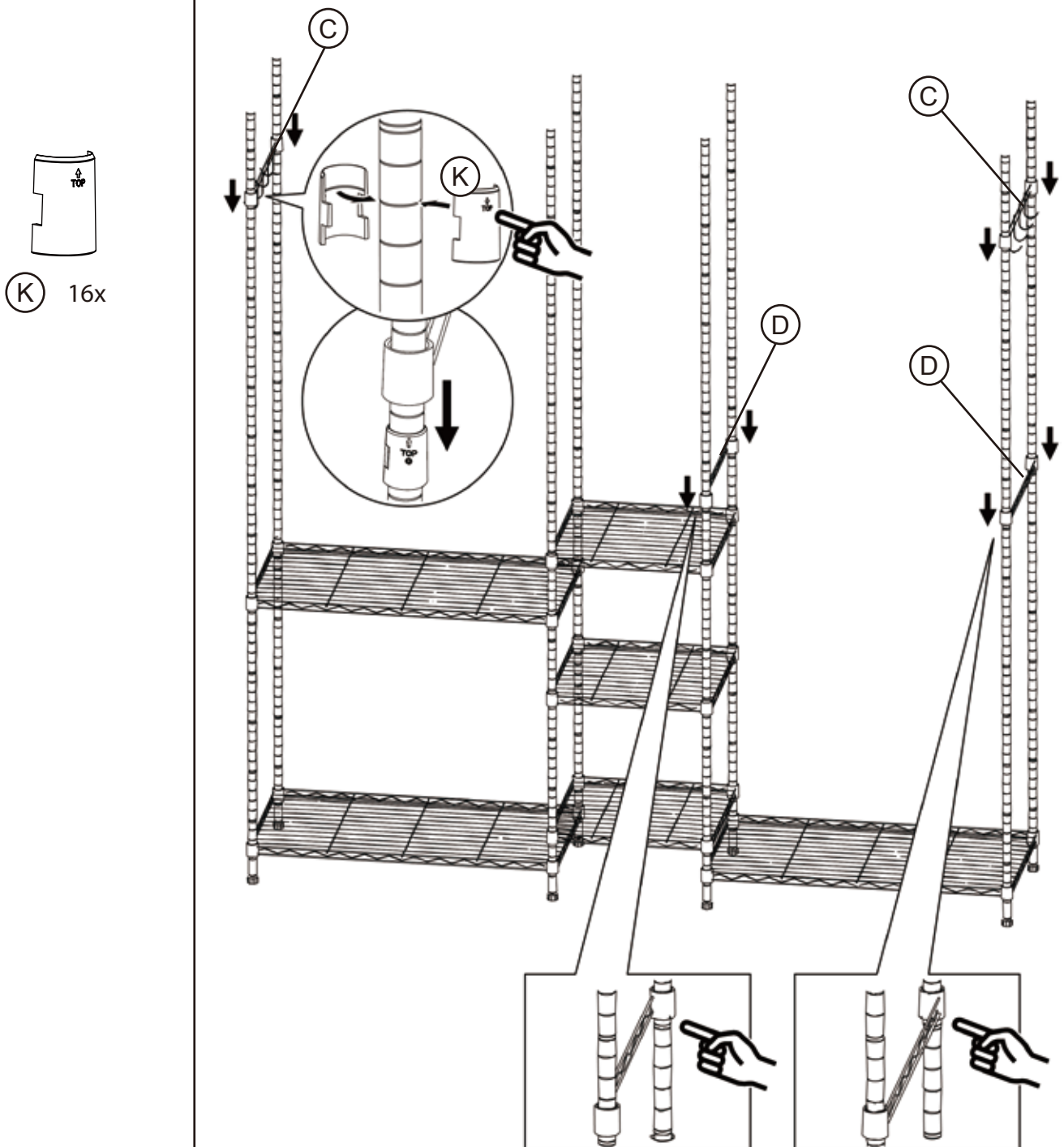
Make sure the distance between the small shelves (B) is slightly more than 9 inches for placing the drawer.

When assembling the plastic clip, the flange inside the plastic clip must align to the groove on the pole.

The arrow on the side of the plastic clip must be pointing to the top of the pole. All plastic clips must be assembled on the same position on all the poles at your desired height.

8

Assemble plastic clips (K) on the poles and slide in 2 support rails (D) and then 2 support rails with hooks (C).



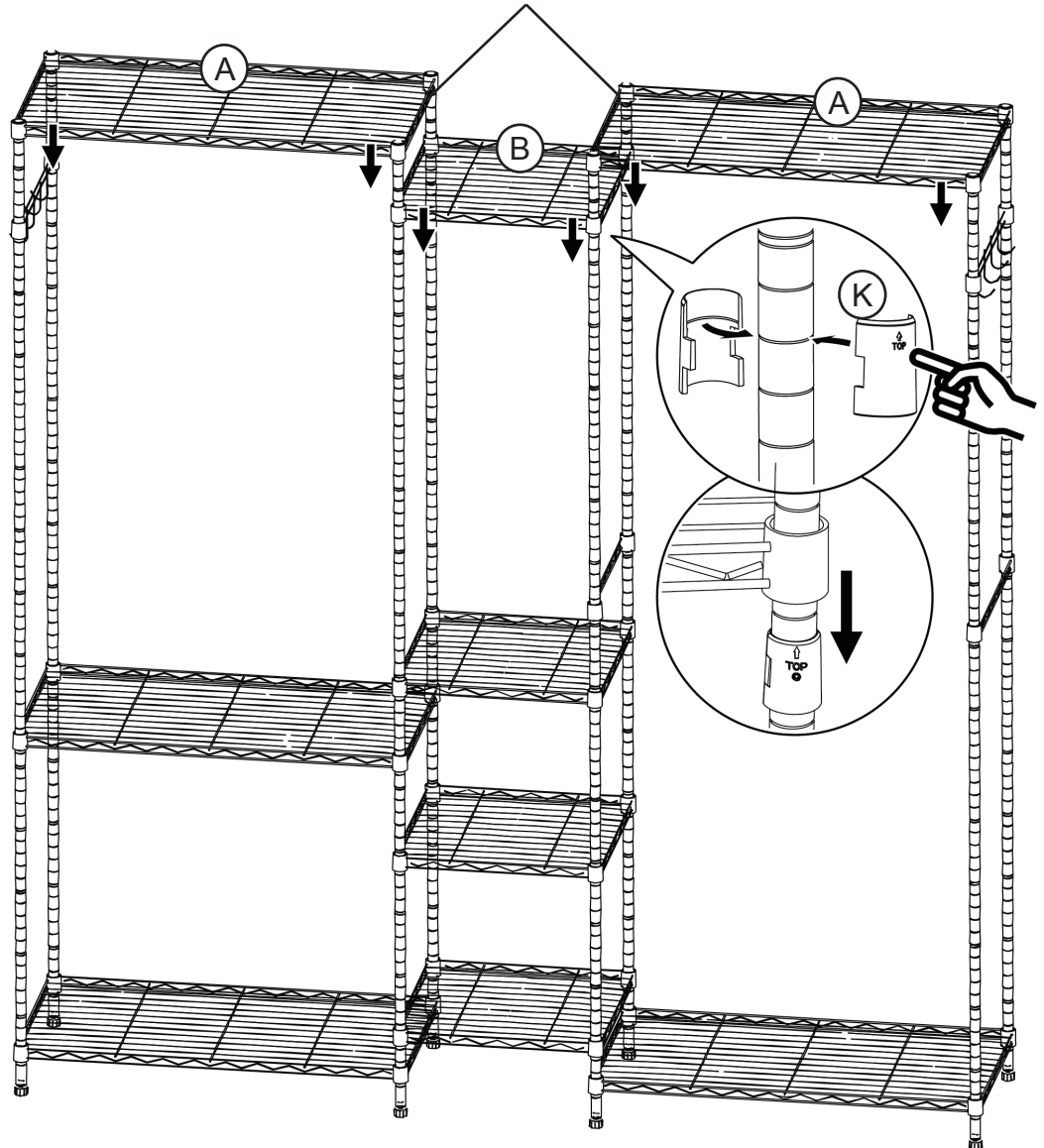
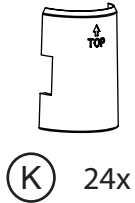
NOTE:

Make sure the support rails are assembled on the same height and the wave wire facing away from each support rail.
 When assembling the plastic clip, the flange inside the plastic clip must align to the groove on the pole.
 The arrow on the side of the plastic clip must be pointing to the top of the pole.
 All plastic clips must be assembled on the same position on all the poles at your desired height.
 Make sure that the distance between the support rail (D) and the nether small shelf is slightly more than 2.5 inches for assembling hanging rod.

9

Assemble plastic clips (K) on the poles and slide in a small shelf (B) to the center and then slide in 2 large shelves (A) to the sides of the rack.

Note: Make sure that the distance between both top large shelves (A) and the top small shelf (B) is slightly more than 2.5 inches for assembling hanging rod.



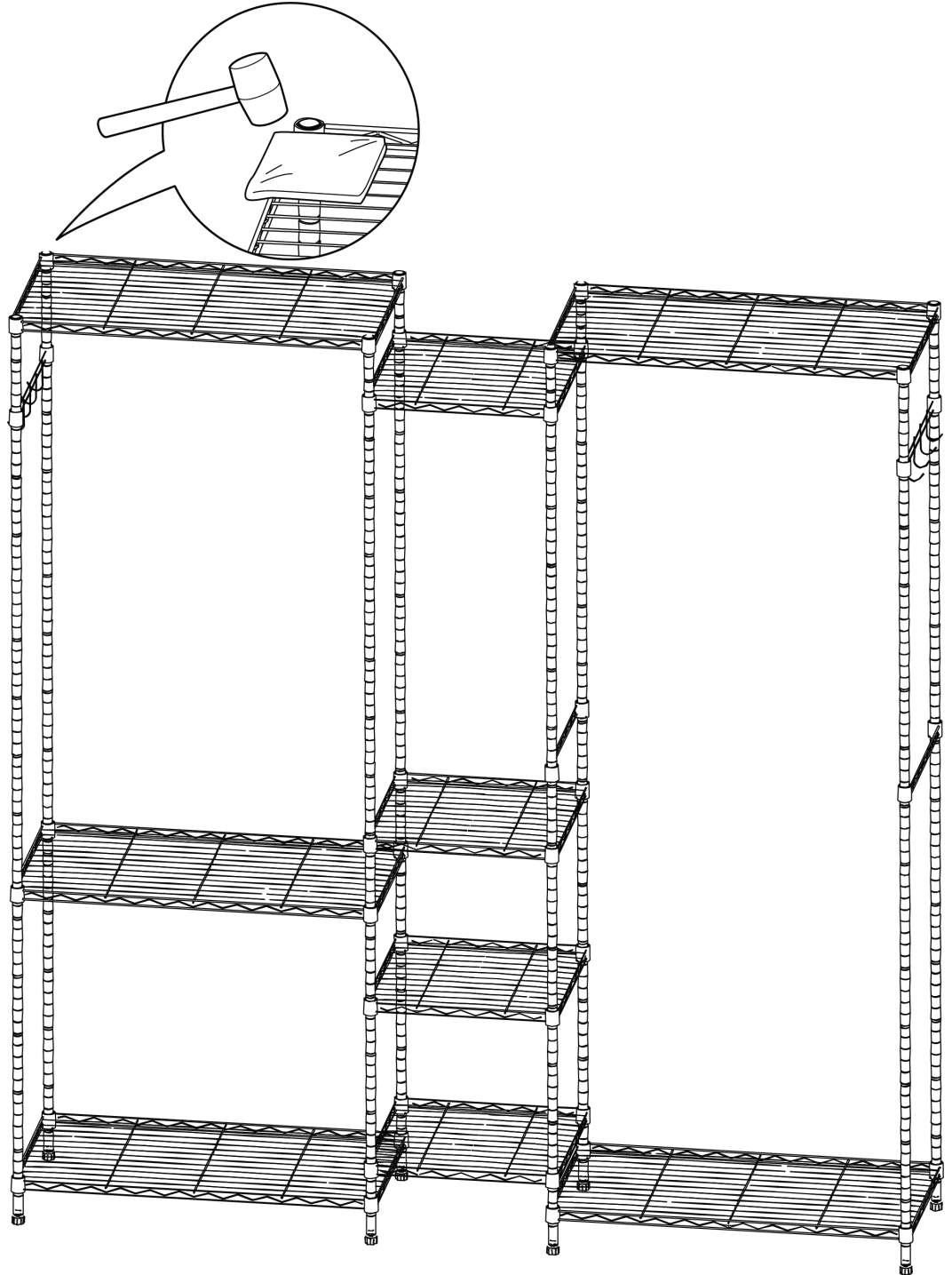
NOTE:

When assembling the plastic clip, the flange inside the plastic clip must align to the groove on the pole.

The arrow on the side of the plastic clip must be pointing to the top of the pole. All plastic clips must be assembled on the same position on all the poles at your desired height.

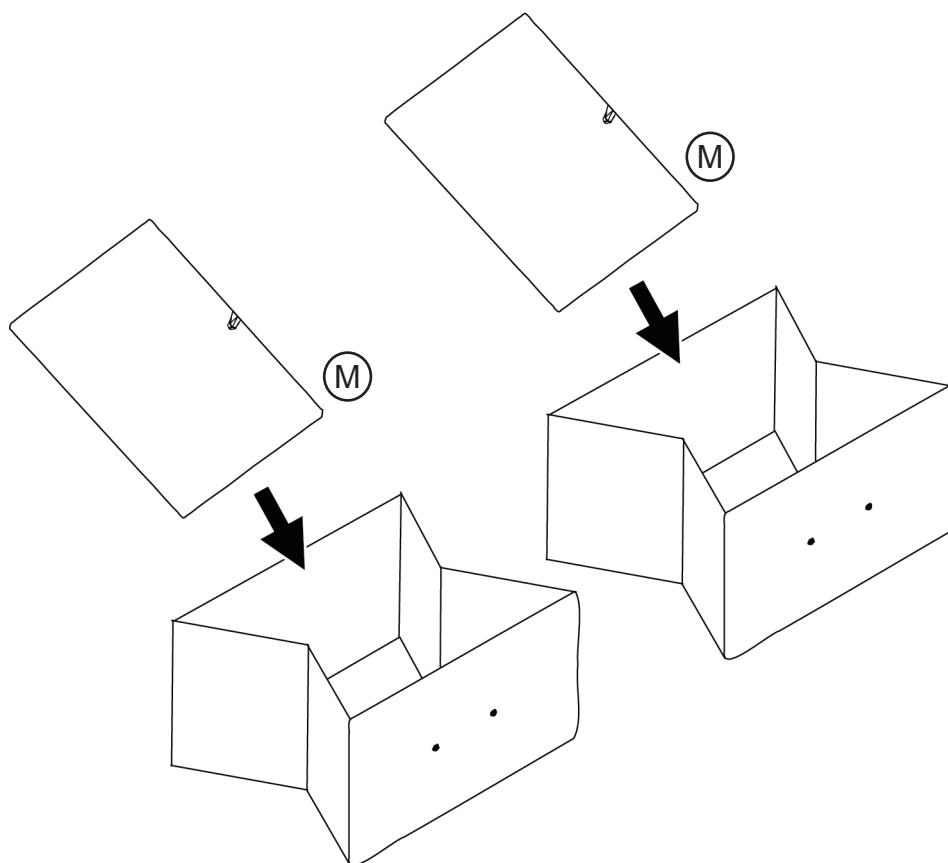
10

Lightly tap on each shelf and make sure the shelves snug to the plastic clips.



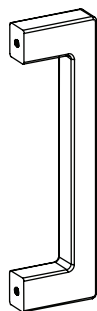
11

Unfold the drawers (M) and put in the bottom boards.

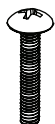


12

Attach drawer handles (N) to the front of the drawers and secure with screws (O).



(N) 2x

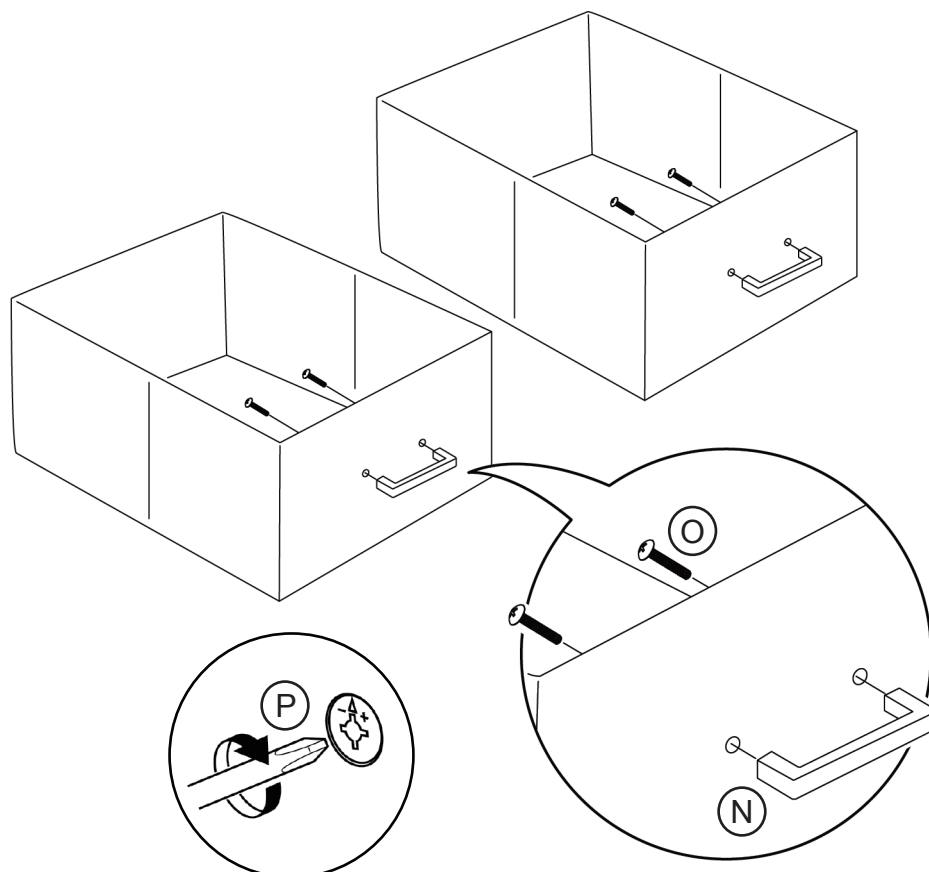


ϕ 0.157"x0.945"

(O) 4x

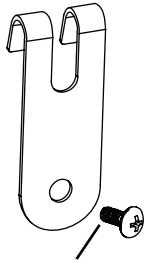


(P) 1x



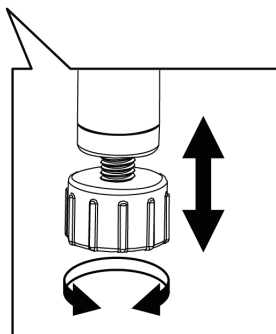
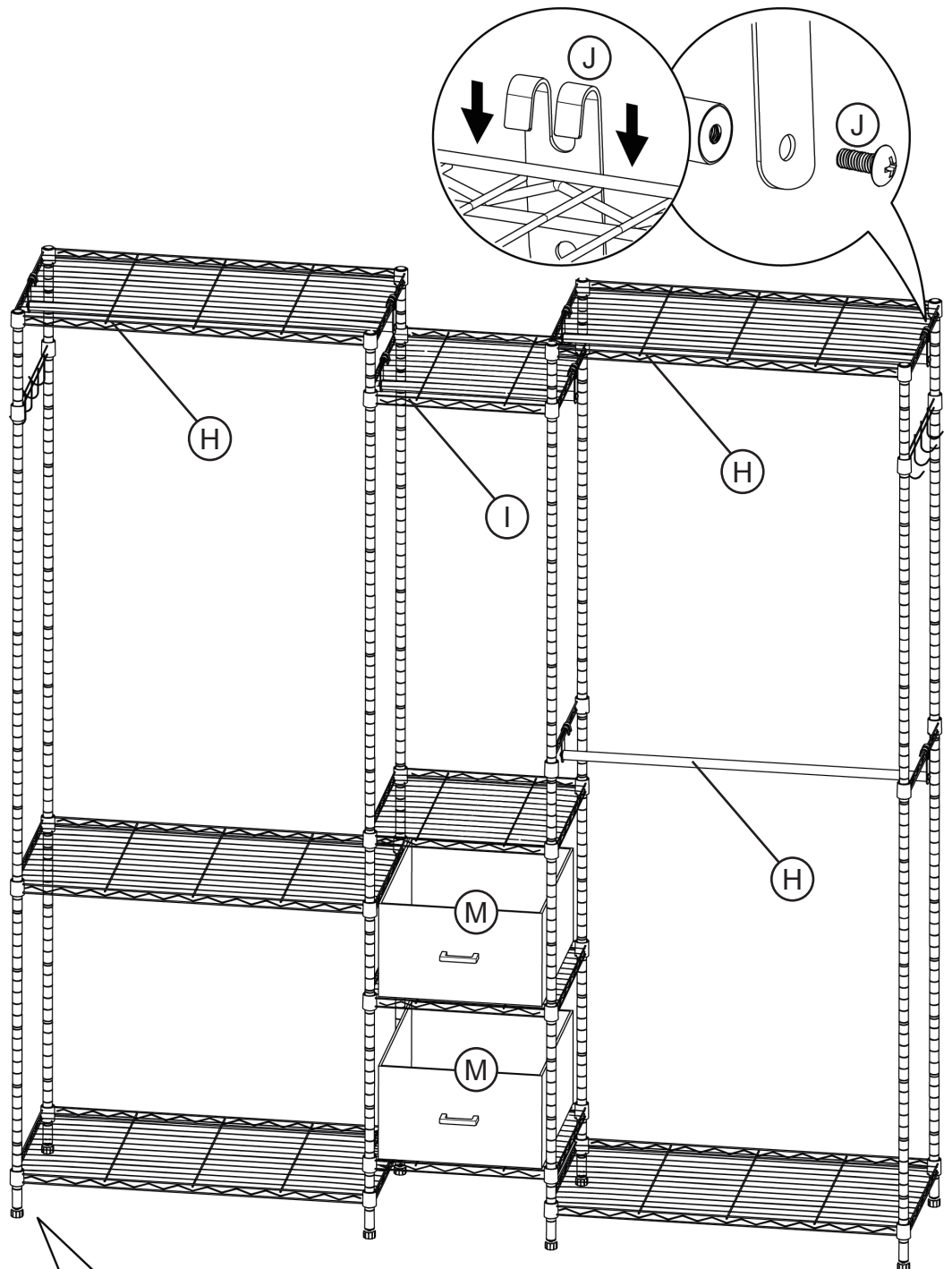
13

Attach hook brackets (J) to the rack and assemble hanging rods (H, I) between the hook brackets. Place drawers (M) onto the 2 undermost small shelves.



Φ 0.157"x0.945"

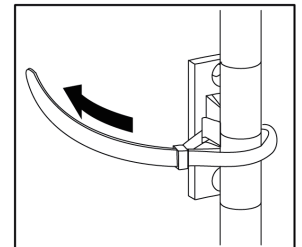
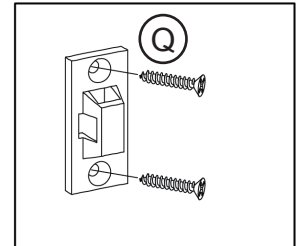
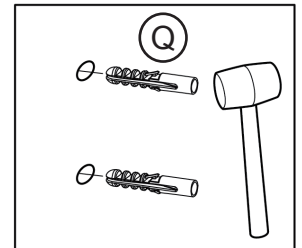
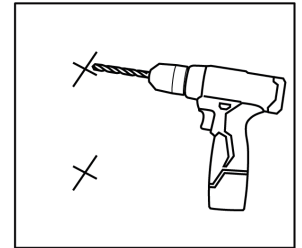
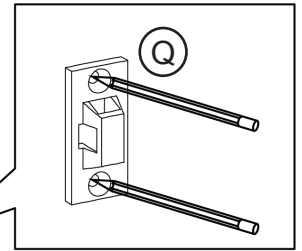
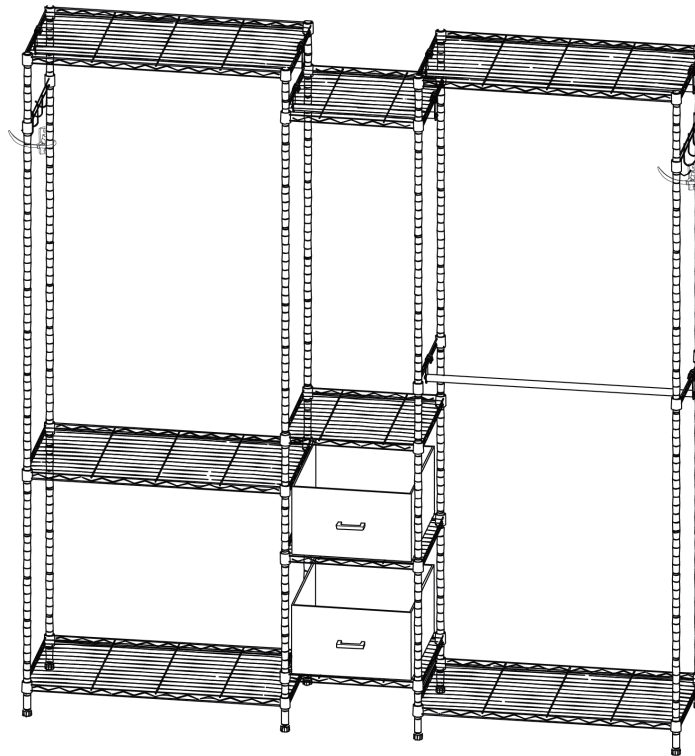
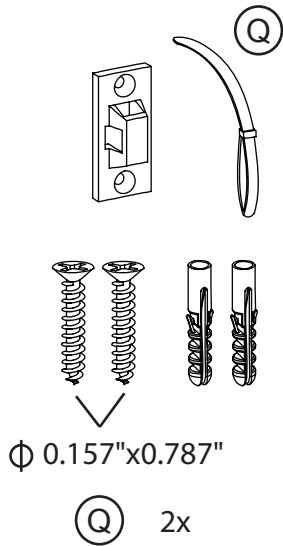
(J) 8x



Level the rack on the floor. Adjust the leveling feet if necessary.

14

Affix the rack to anti-tip devices (Q) attached on the wall.



Furniture must permanently fixed to the wall stud with included anti-tipping device to prevent the furniture from tipping over.

- Mark drill positions on the wall with a pencil.
- Drill a small hole on the marked position.
- Insert wall anchors into the drilled holes.
- Zip tie the rack to the anti-tipping devices.

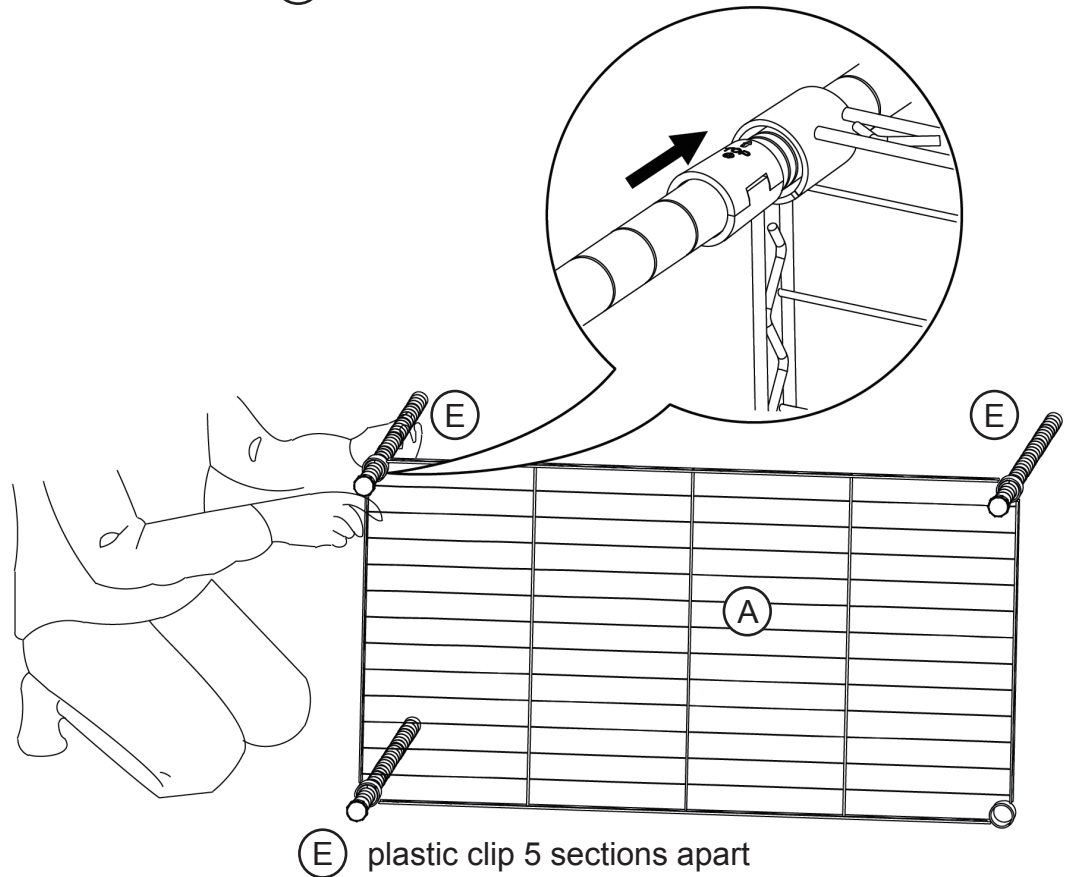
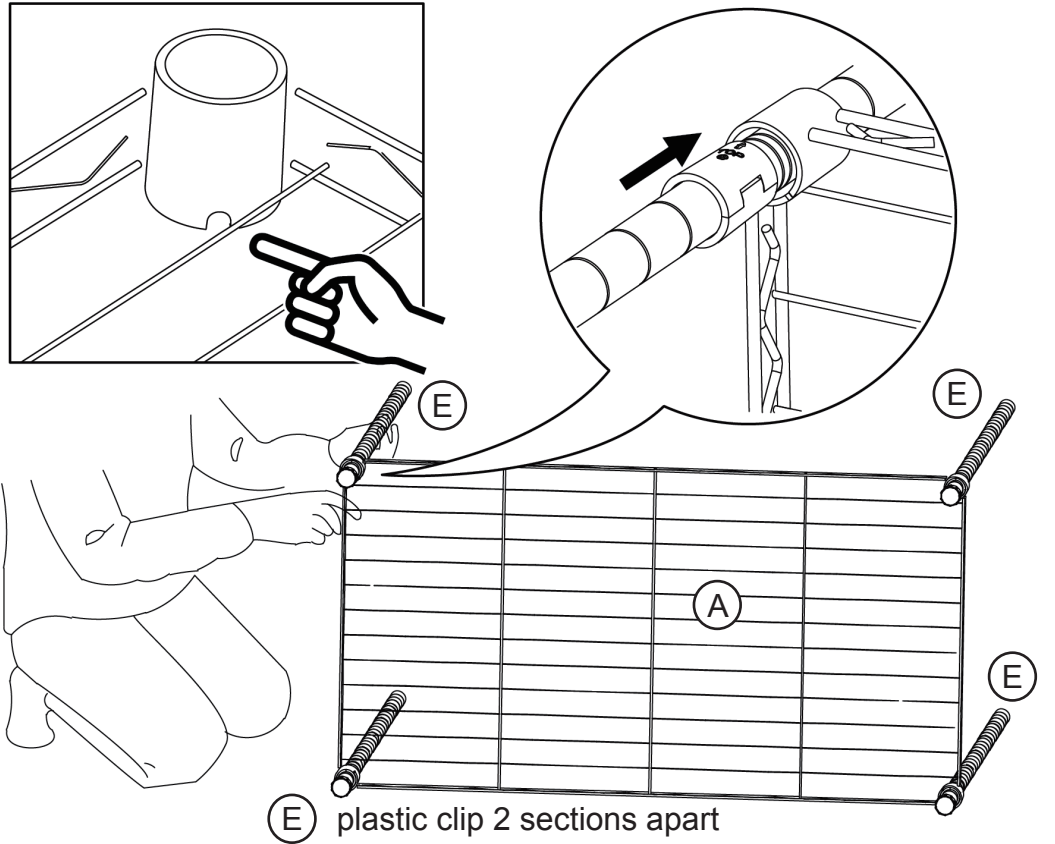
YOU'RE FINISHED!

2

Insert lower poles (E) to large shelves (A) until the shelves fit on the plastic clips.

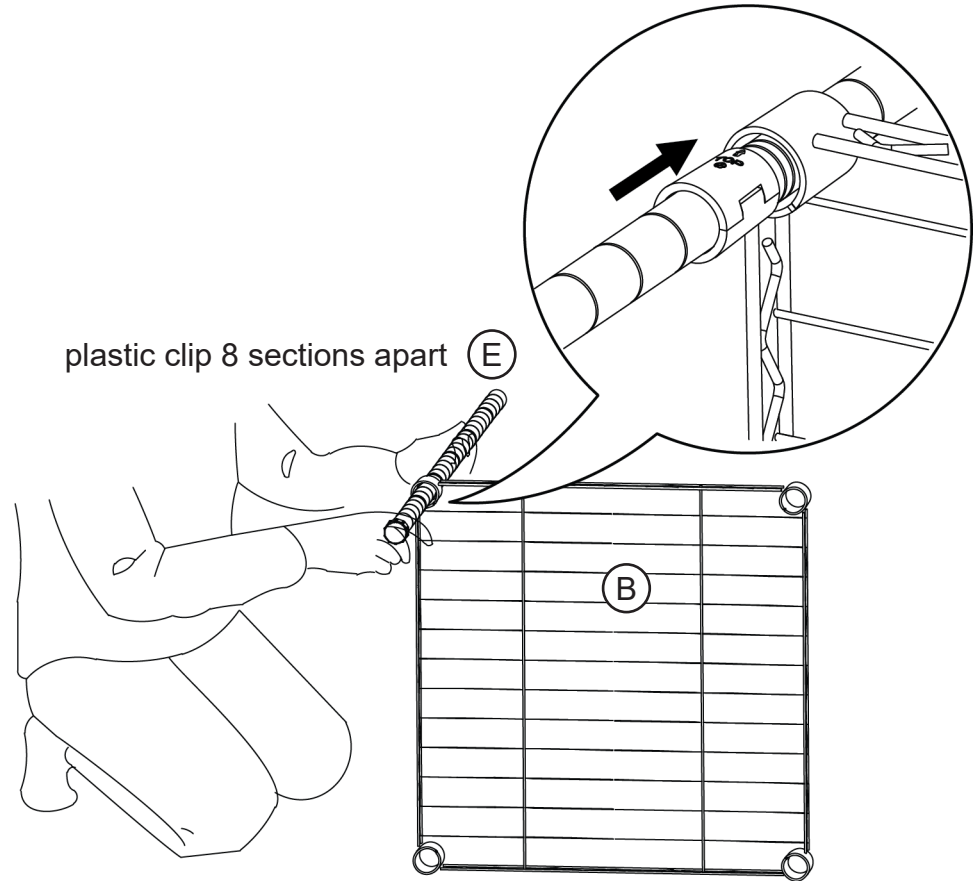
NOTE:

The wider opening must be on the bottom end for proper assembly.



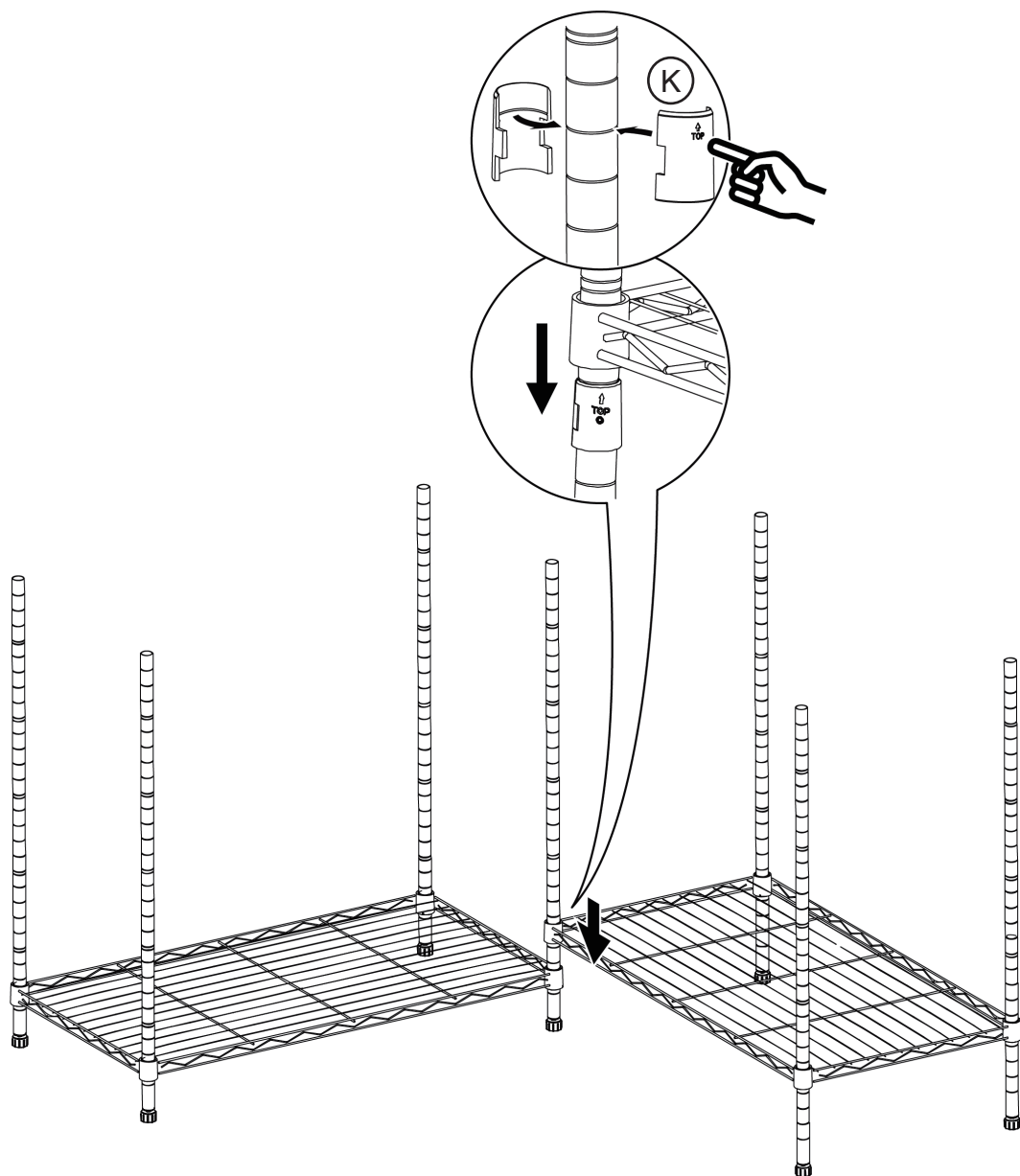
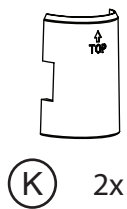
3

Insert a lower pole (E) to a small shelf (B).



4

Assemble plastic clips (K) on a pole, then slide the large shelf with 3 poles to the rack assembly with 4 poles in a L-shape pattern.



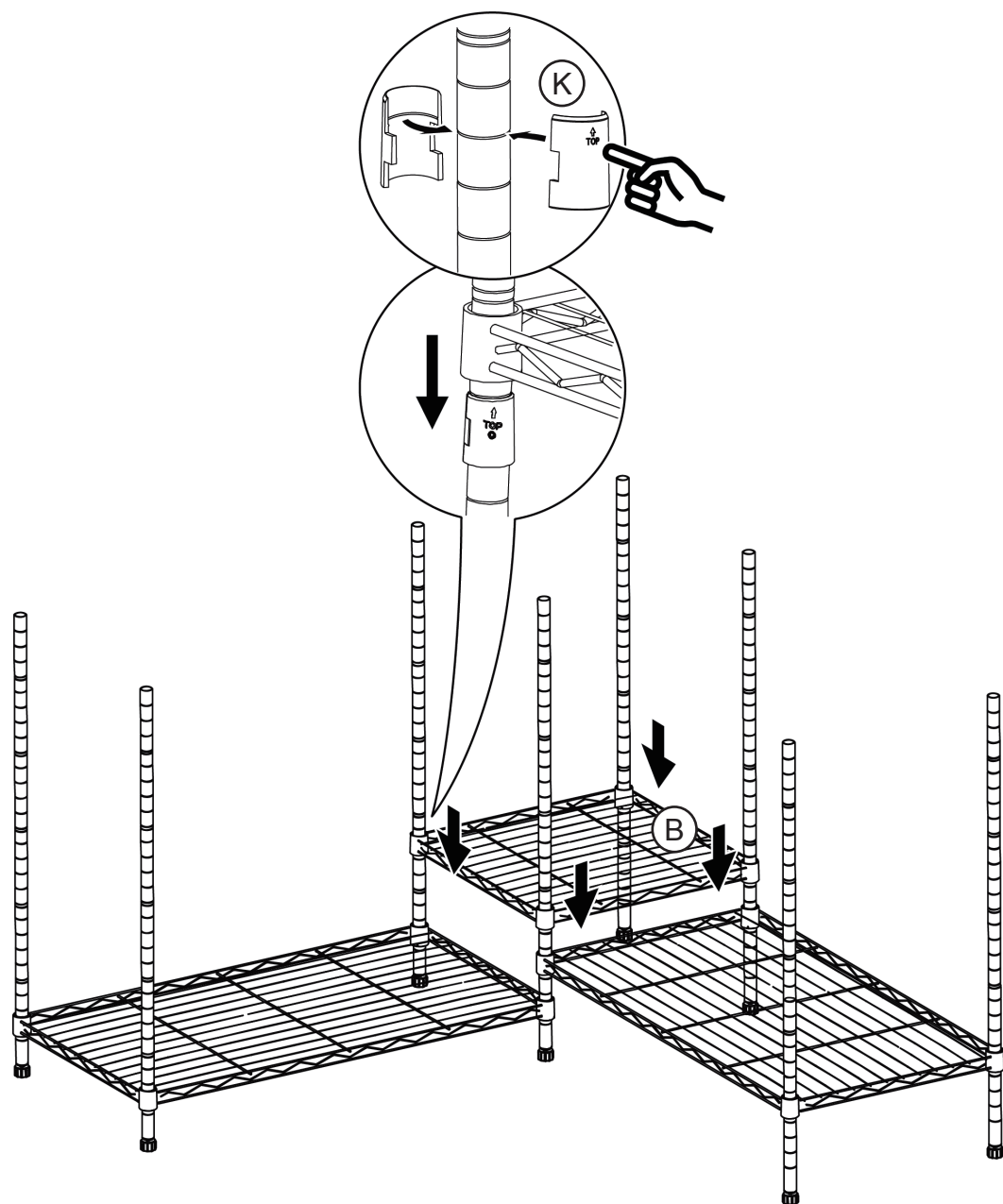
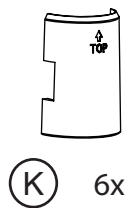
NOTE:

When assembling the plastic clip, the flange inside the plastic clip must align to the groove on the pole.

The arrow on the side of the plastic clip must be pointing to the top of the pole.

5

Assemble plastic clips (K) to the corner 3 poles and slide the small shelf with 1 pole to the assembly.



NOTE:

When assembling the plastic clip, the flange inside the plastic clip must align to the groove on the pole.

The arrow on the side of the plastic clip must be pointing to the top of the pole.

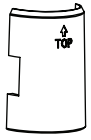
6

Assemble plastic clips (K) to the corner 4 poles and slide in a small shelf (B).

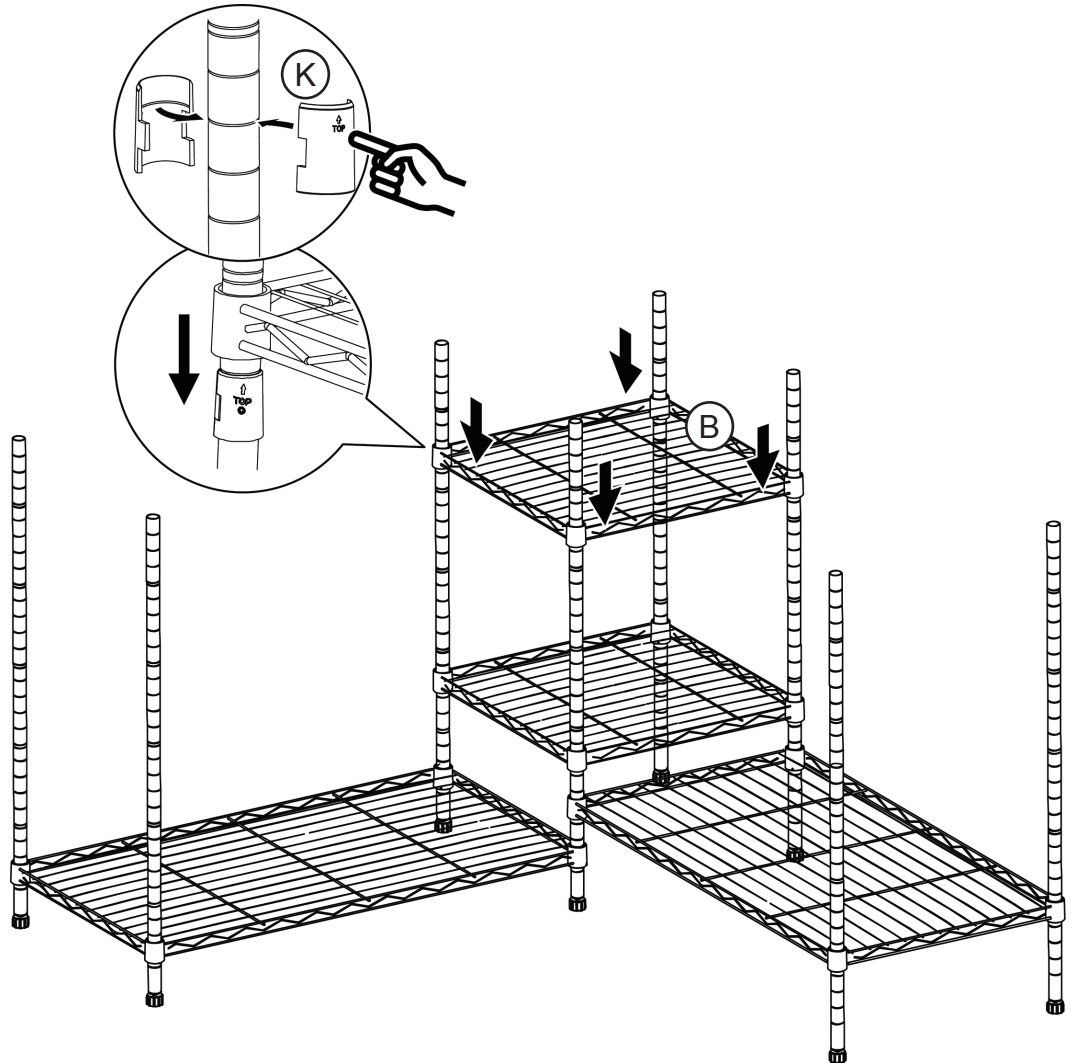
NOTE:

When assembling the plastic clip, the flange inside the plastic clip must align to the groove on the pole.

The arrow on the side of the plastic clip must be pointing to the top of the pole.



(K) 8x

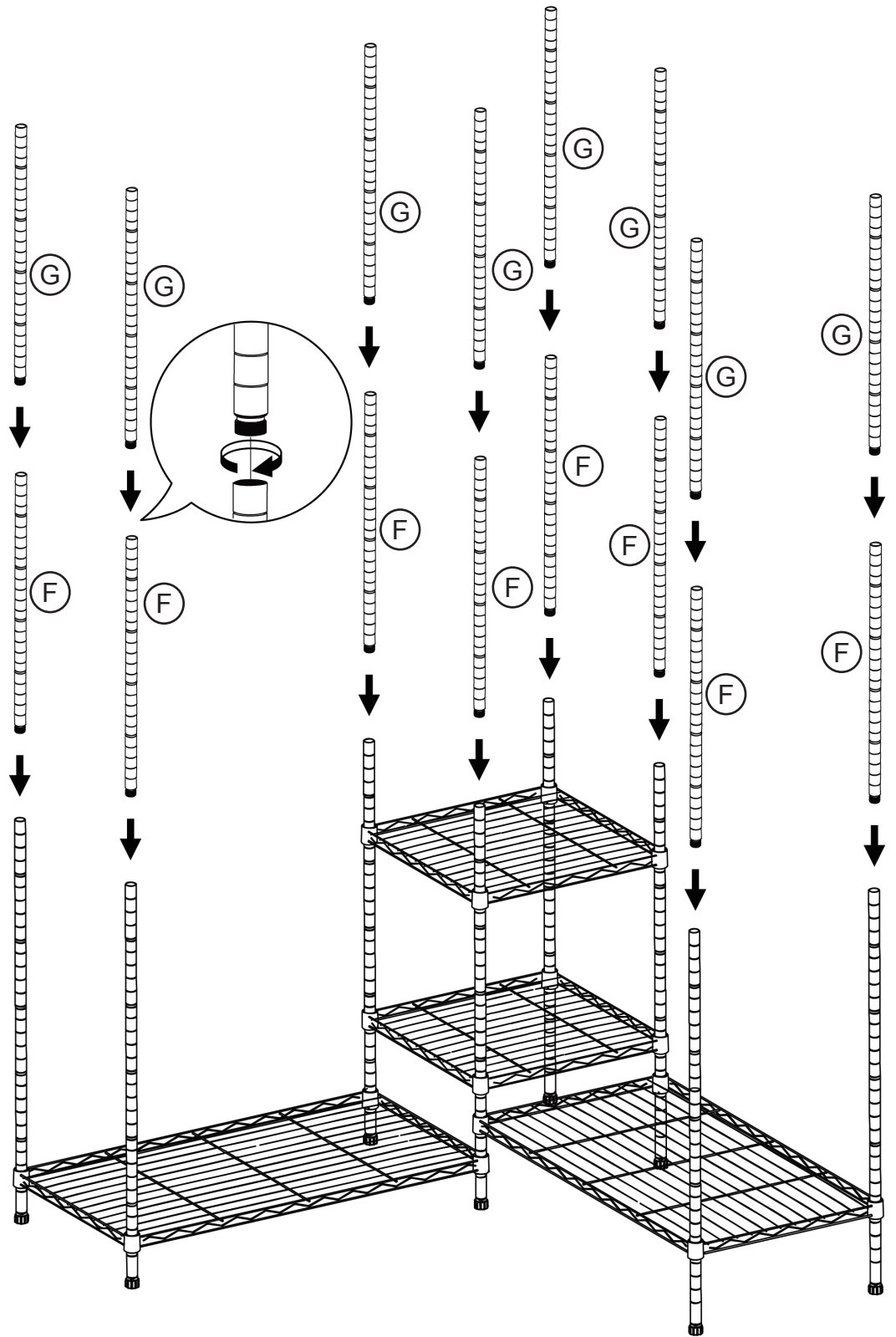


NOTE:

Make sure the distance between the small shelves (B) is slightly more than 9 inches for placing the drawer.

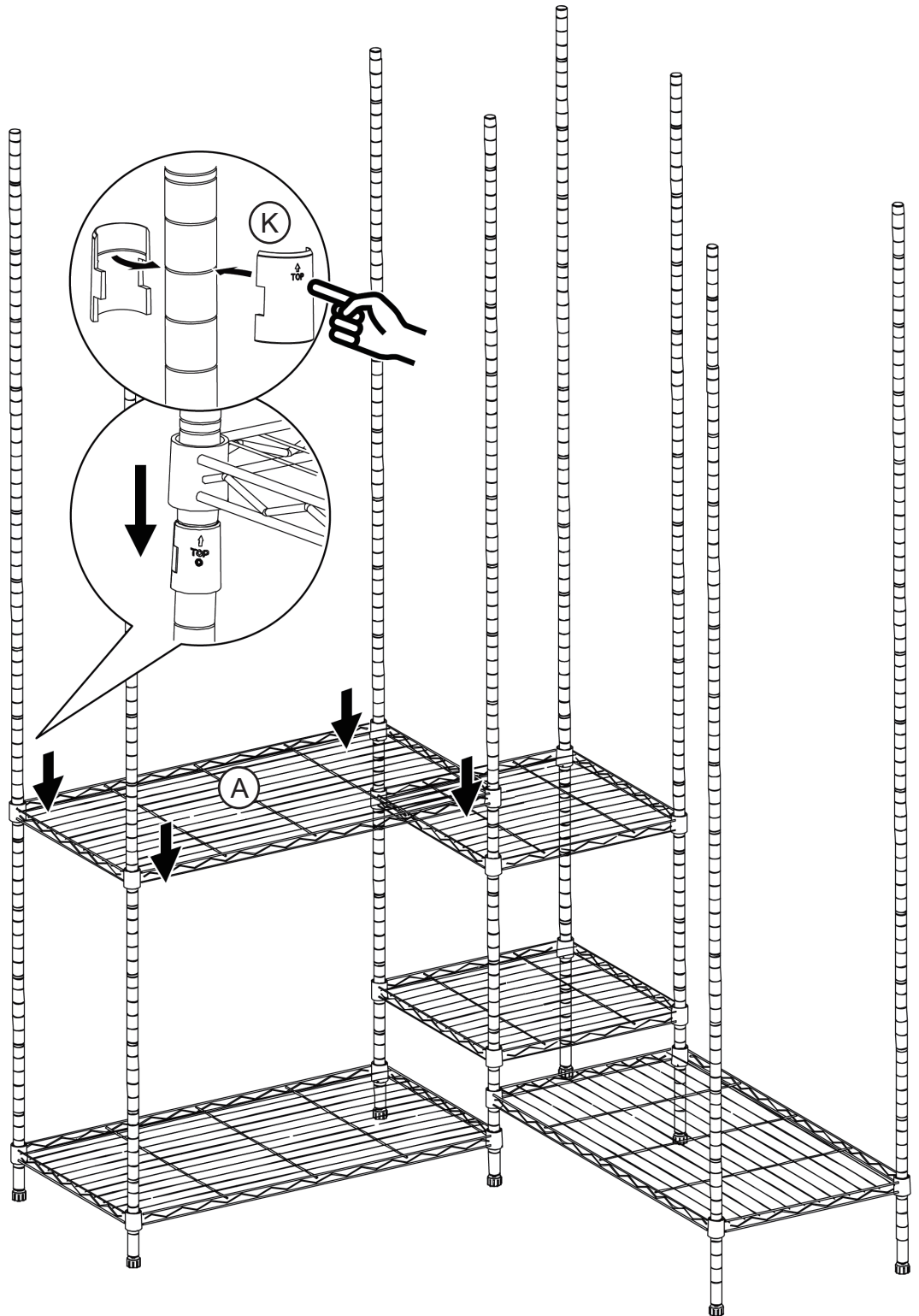
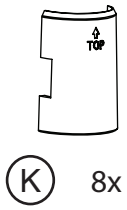
7

Attach middle poles (F) and upper poles (G) on top of each lower pole.



8

Assemble plastic clips (K) and slide in a large shelf (A) to the rack.

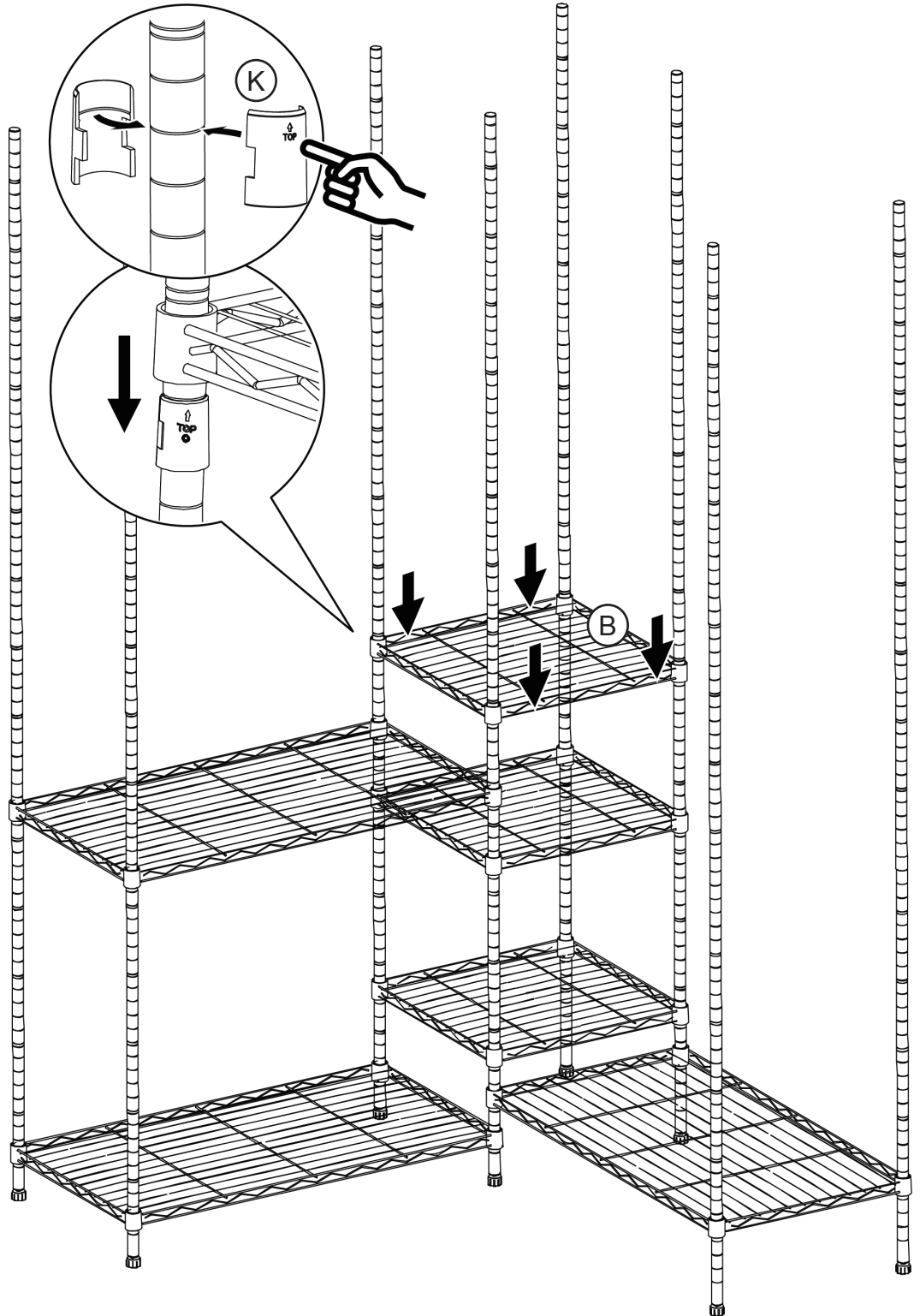
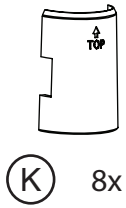


NOTE:

When assembling the plastic clip, the flange inside the plastic clip must align to the groove on the pole.
The arrow on the side of the plastic clip must be pointing to the top of the pole.

9

Assemble plastic clips (K) on the rack and slide in a small shelf (B).



NOTE:

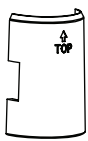
Make sure the distance between the small shelves (B) is slightly more than 9 inches for placing the drawer.

When assembling the plastic clip, the flange inside the plastic clip must align to the groove on the pole.

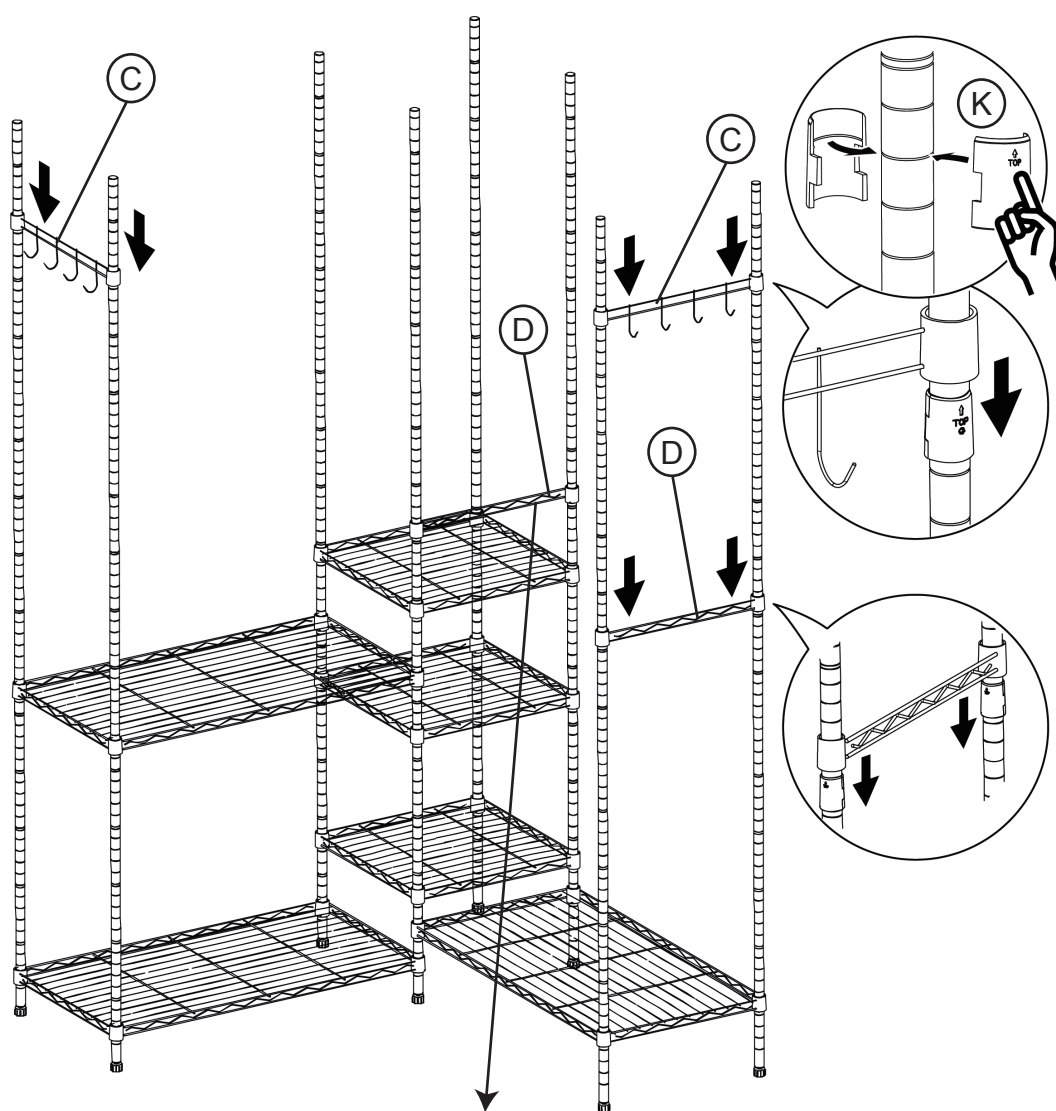
The arrow on the side of the plastic clip must be pointing to the top of the pole.

10

Assemble plastic clips (K) on the poles and slide in 2 support rails (D) and then 2 support rails with hooks (C)



(K) 16x



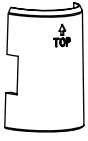
Note: When assembling the plastic clip, the flange inside the plastic clip must align to the groove on the pole. The arrow on the side of the plastic clip must be pointing to the top of the pole.

NOTE:

Make sure the support rails are assembled on the same height and the wave wire are facing away from each support rail.

Make sure that the distance between the support rail (D) and the nether small shelf is slightly more than 2.5 inches for assembling hanging rod.

11



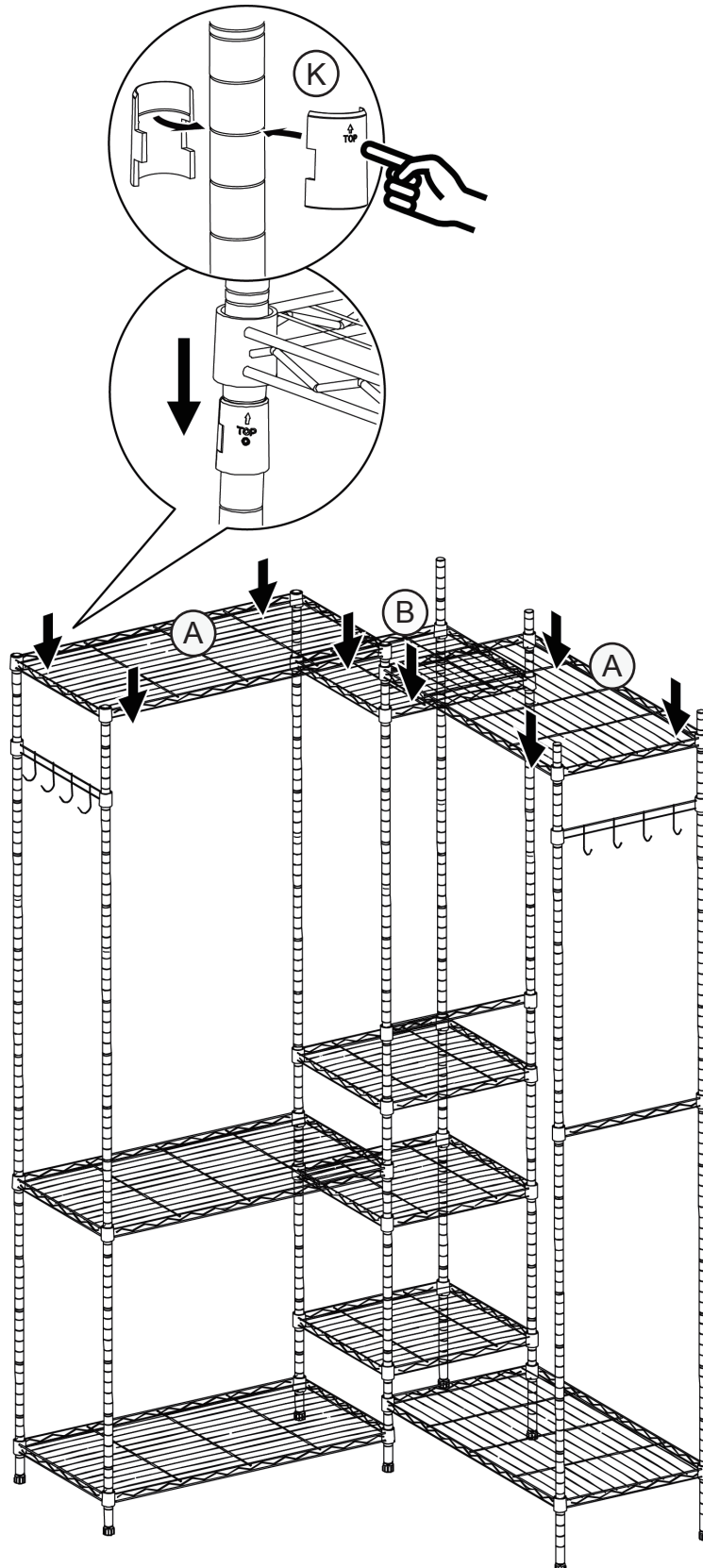
(K) 24x

Assemble plastic clips (K) on the poles and slide in a small shelf (B) to the corner and then following by a large shelf (A) to the right, and another large shelf (A) to the left.

NOTE:

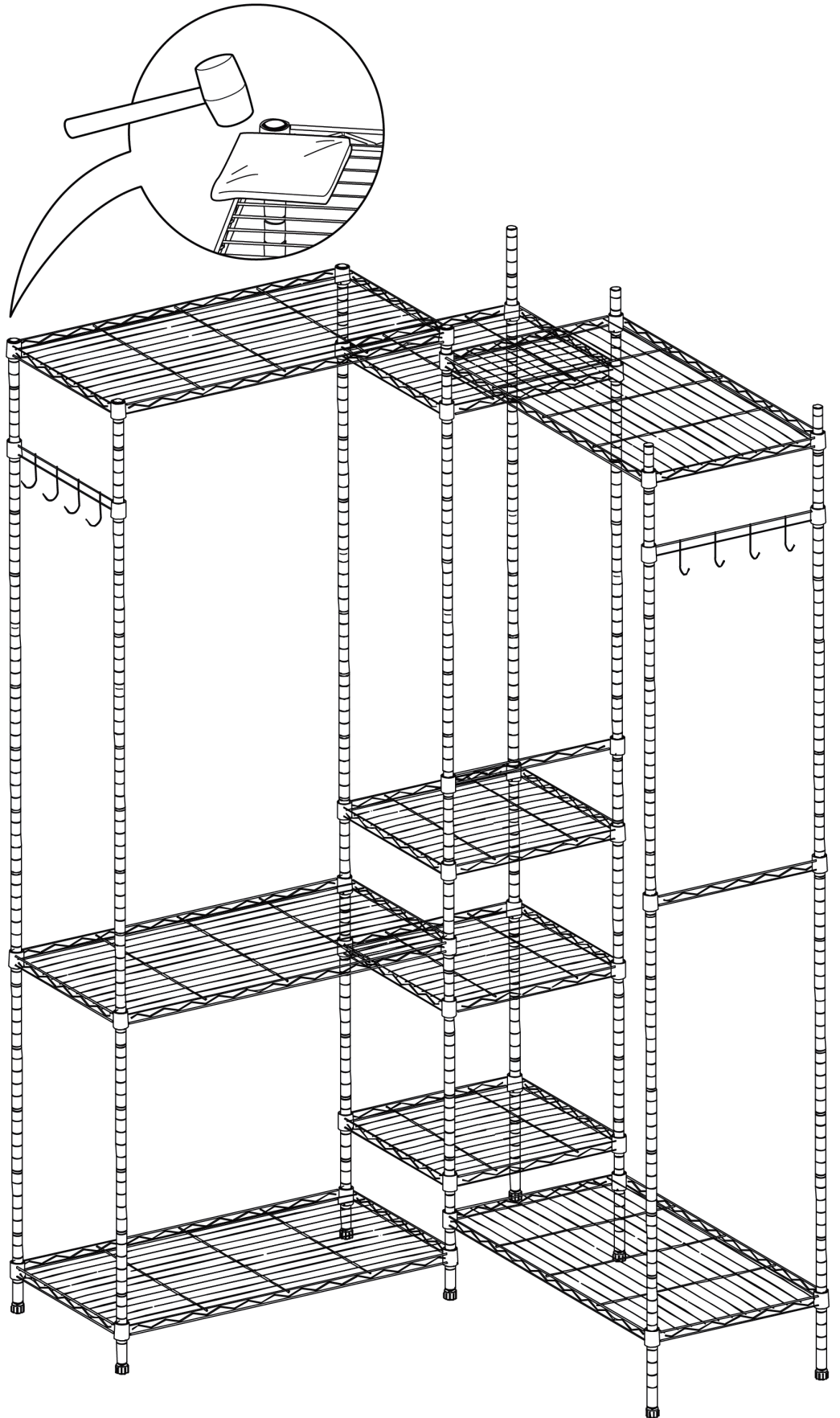
When assembling the plastic clip, the flange inside the plastic clip must align to the groove on the pole.

The arrow on the side of the plastic clip must be pointing to the top of the pole.



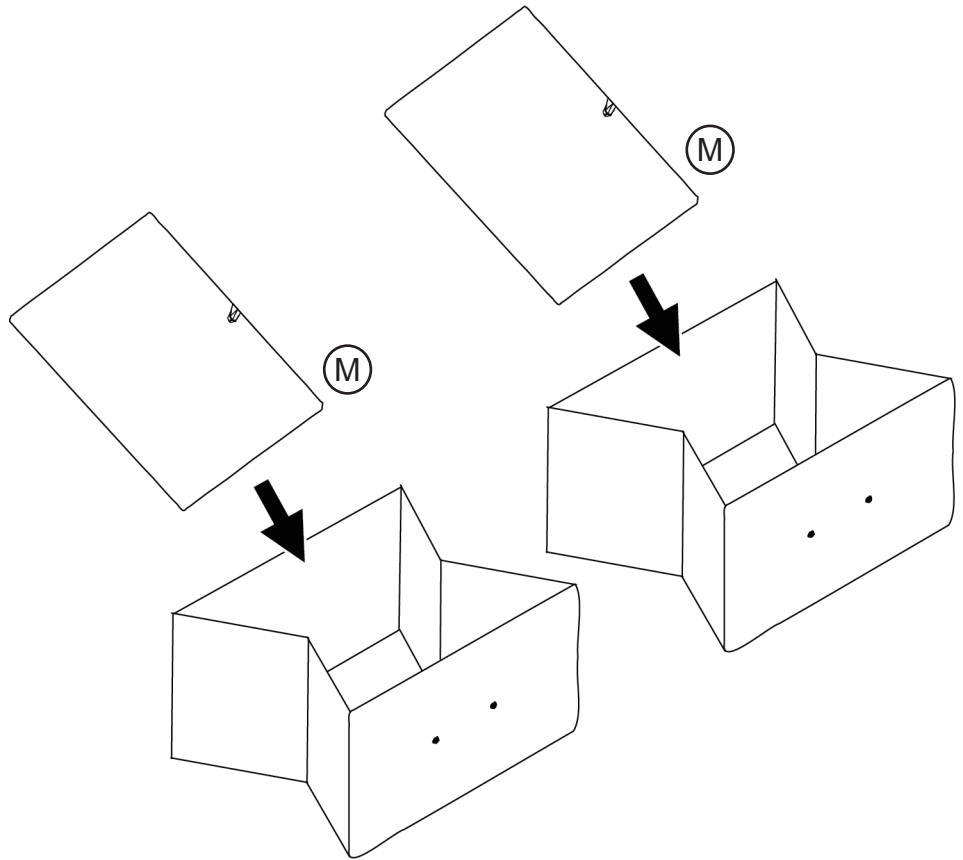
Note: Make sure that the distance between both top large shelves (A) and the top small shelf (B) is slightly more than 2.5 inches for assembling hanging rod.

Lightly tap on each shelf and make sure the snug to the plastic clips.



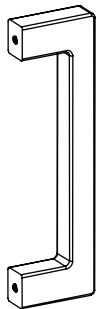
13

Unfold the drawers (M) and put in the bottom boards.

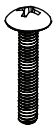


14

Attach drawer handles (N) to the front of the drawers and secure with screws (O).

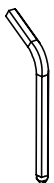


(N) 2x

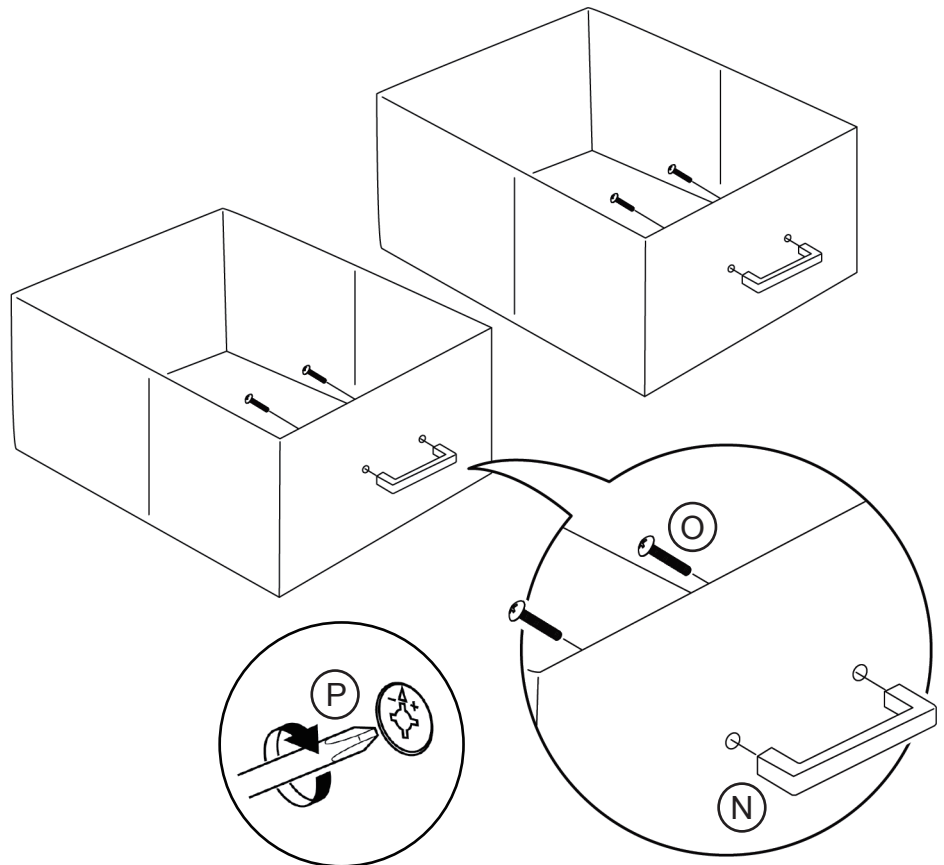


Ø 0.157"x0.945"

(O) 4x

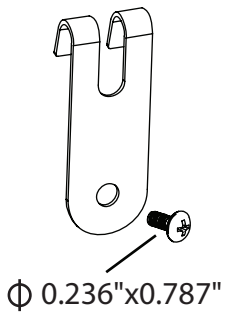


(P) 1x

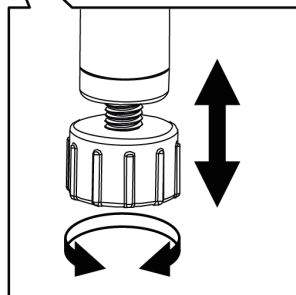
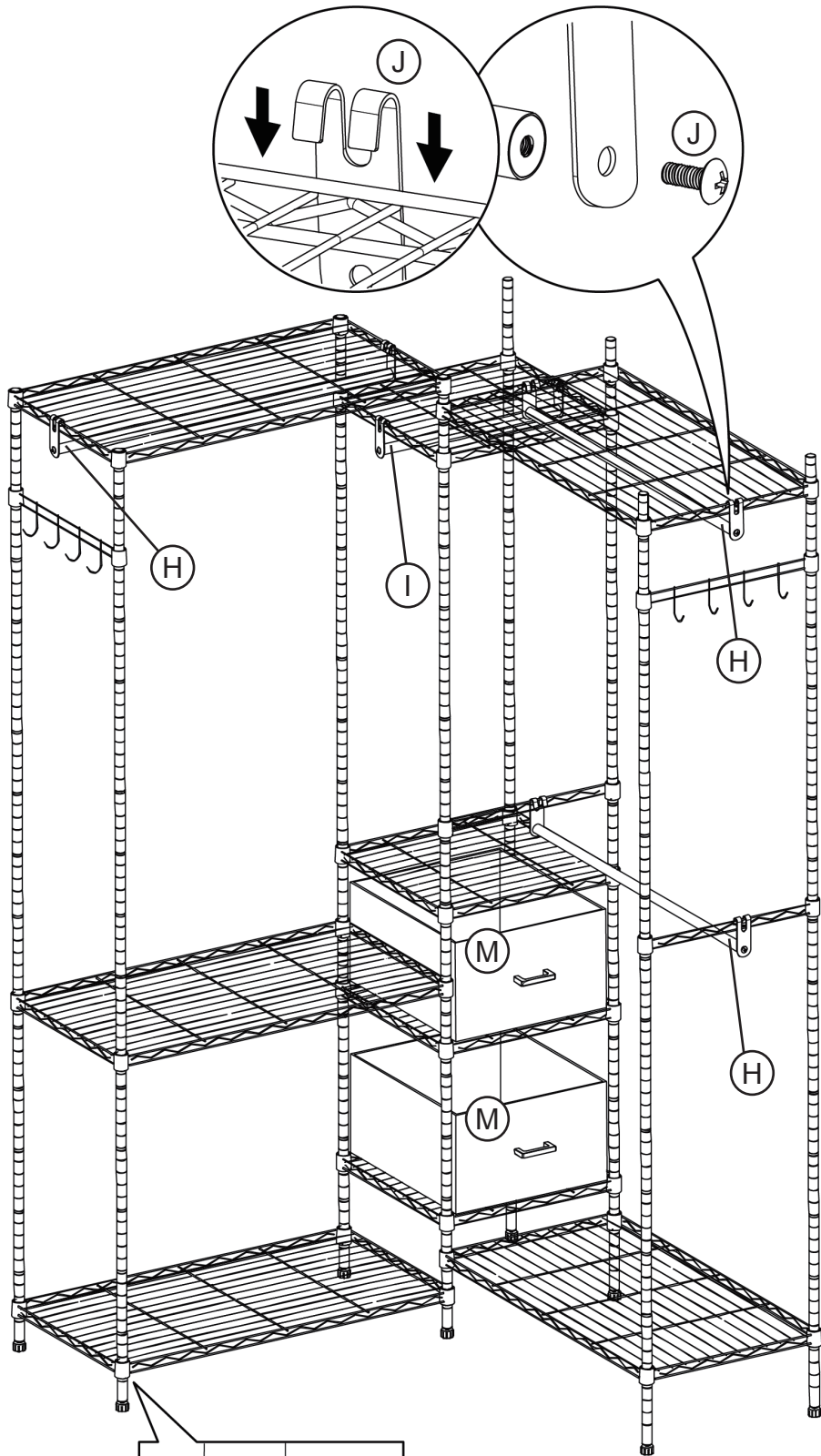


15

Attach hook brackets (J) to the rack and assemble hanging rods (H, I) between the hook brackets. Place drawers (M) onto the 2 undermost small shelves.



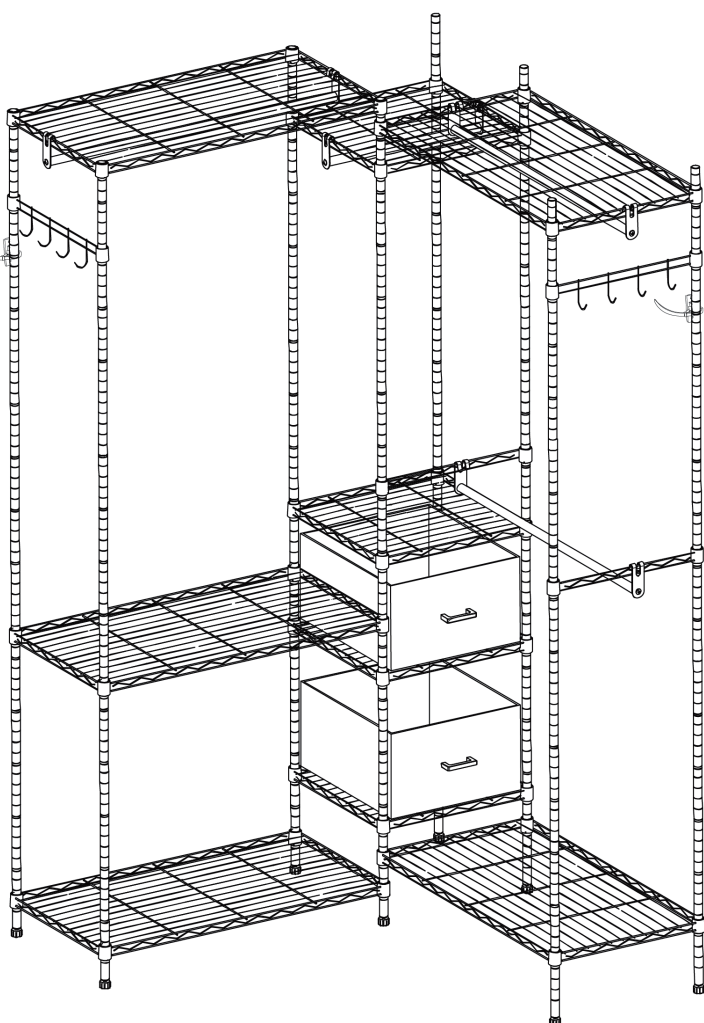
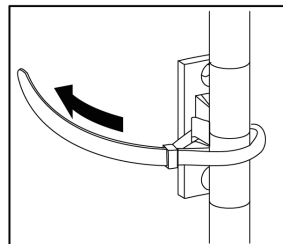
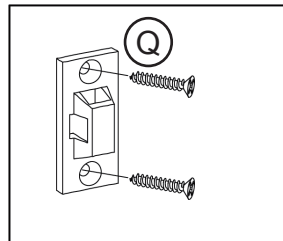
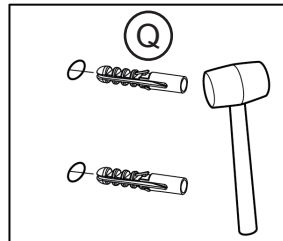
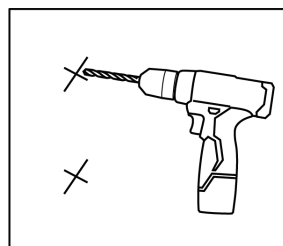
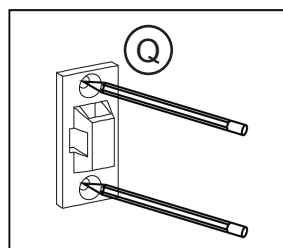
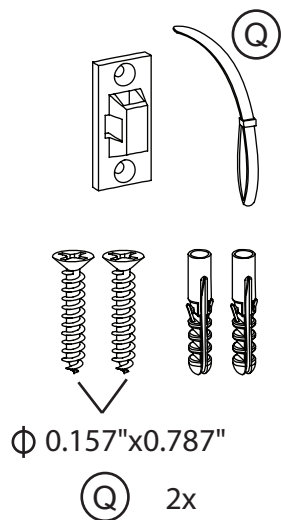
(J) 8x



Level the rack on the floor. Adjust the leveling feet if necessary.

16

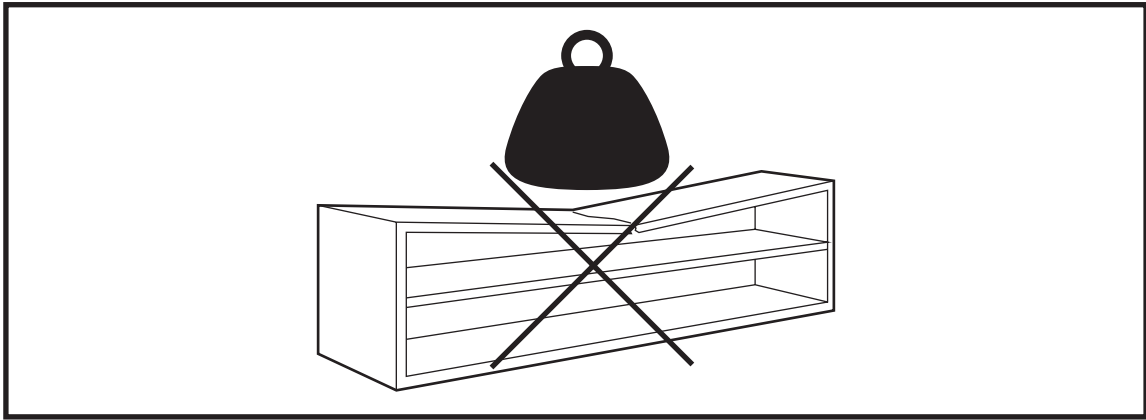
Affix the rack to anti-tip devices (Q) attached on the wall.



Furniture must permanently fixed to the wall stud with included anti-tipping device to prevent the furniture from tipping over.

- Mark drill positions on the wall with a pencil.
- Drill a small hole on the marked position.
- Insert wall anchors into the drilled holes.
- Zip tie the rack to the anti-tipping devices.

YOU'RE FINISHED!

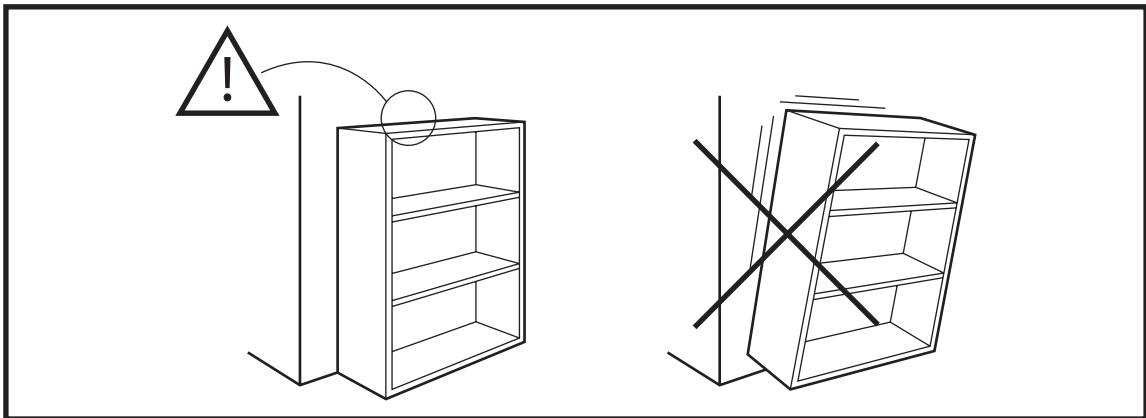


Warning

Only place items on top of the product if they meet the recommended size and weight limits.

Climbing on, stepping on, or placing overweighted objects on the product may cause property damage and/or injuries.

Items placed onto this product must be resting on a support surface without hanging over the edges.



Warning

Serious or fatal crushing injuries may occur if the furniture tip-over. Furniture must permanently affixed to the wall with included anti-tipping device in order to prevent the furniture from tipping over.

Different wall materials requires different types of wall anchors or screws. Use a suitable wall anchors or screws for your specific wall in order to secure the stability and load bearing capacity of the furniture. If you are uncertain about which type of device to use, please contact us or your local hardware store.

BELLEZE®

FURNITURE CARE AND MAINTENANCE

Medium - Density Fiberboard

Thank you for your purchase. We want your item to last as long as possible. To ensure the product gives you years of longevity, please follow the recommendations in this care and maintenance guide.



MAINTENANCE

- Tighten all bolts and screws again within the first 2 weeks of assembly.
- Check the tightness of all bolts every 2 months and tighten them if necessary.



CLEANING

- Clean the surface of the MDF (medium - density fiberboard) with a lightly dampened cloth.
- A small amount of mild soap can be used if necessary.
- Dry the surface immediately after cleaning.

- ⚠ DO NOT use bleach or alcohol to clean the surface.
- ⚠ DO NOT apply wood treatment on parts made with MDF.

MDF will swell and distort when exposed to water damage. Make sure to dry the furniture immediately after cleaning.

⚠ WARNING

The manufacturer and seller are not responsible for any and all liability relating to personal injury, property damage or losses, whether direct, indirect, or incidental, resulting from the incorrect attachment, improper use, inadequate maintenance, unapproved modification or neglect of this product.

© All copyright of this document belongs to BELLEZE .
This document may not be printed, translated, reproduced, or distributed in whole or in
part without written permission from BELLEZE.

WARRANTY

BELLEZE products come with a 1-year warranty from the date of delivery.
Register your product on our website to enjoy our limited lifetime warranty!



AFTER-SALE SERVICE



Encounter any difficulties or missing parts?



Contact us at **1-800-682-6376** or email us at **support@belleze.com**



We will send you replacement.



Hassle free!
No need to worry about repackaging and sending your item back.

We hope you enjoy your new BELLEZE furniture!
Share your photos on Instagram and tag us: @bellezefurniture.

FOLLOW US:



@bellezefurniture

CONTACT INFO:

support@belleze.com
1-800-682-6376

BELLEZE®