

INSTRUCTIONS FOR YOUR PRODUCT

Parts

A (1 PC)



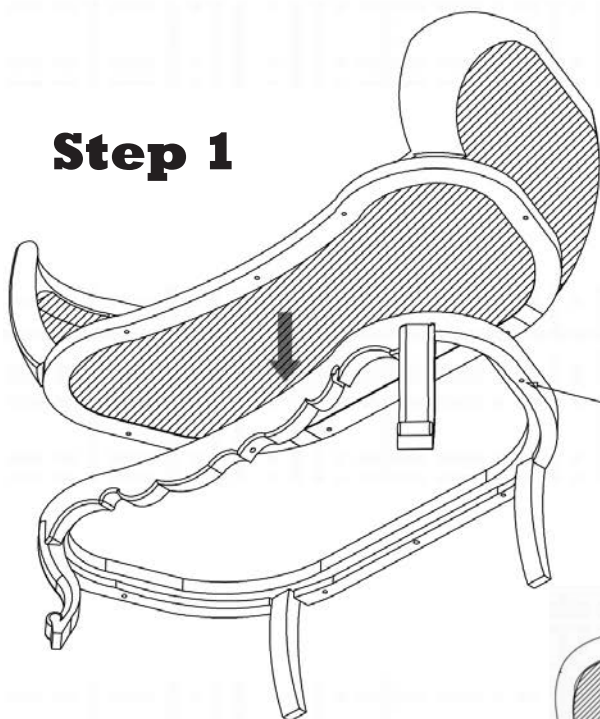
B (8 PCS)



C (8 PCS)

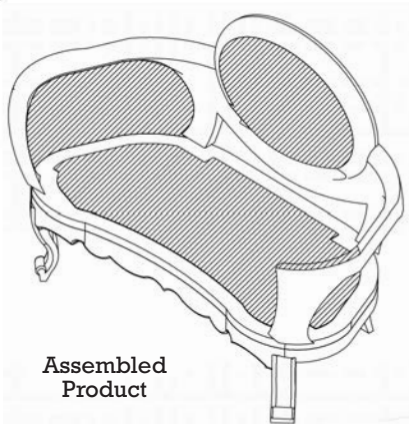
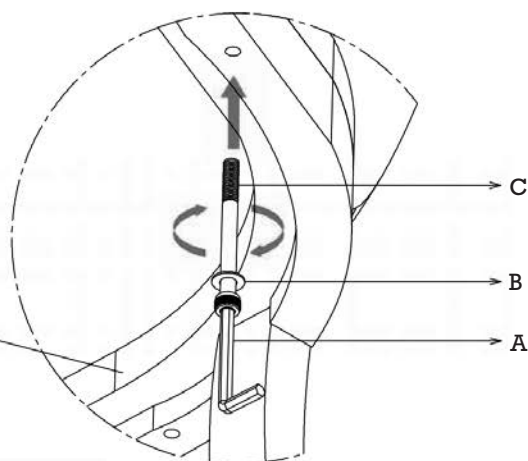


Step 1



Step 2

Repeat 8 times.



Assembled Product

THANK YOU FOR
YOUR PURCHASE