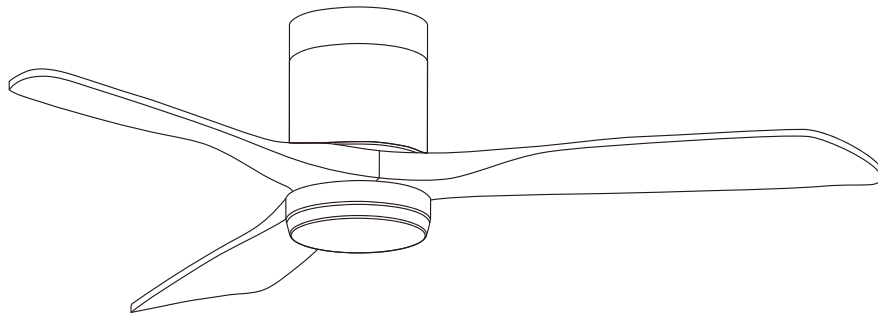


USE AND CARE GUIDE

52-INCH 3-BLADE INDOOR CEILING FAN



Customer Service Number: (832) 478-8866

Customer Service Email Address: WeCareWeFix@gmail.com

Please include your name, contact methods, product name, and model number in the email.

Pictures are always helpful for understanding the issues.

Table of Contents

Table of Contents.....	2	Wiring Diagram	5
Safety Information	2	Assembly	6
Warranty	3	Standard Ceiling Mounting	6
Pre-installation	3	Installing Blade and Light Kit	7
Specification	3	Hang the fan and Install the Receiver.....	8
Tools Required	3	Fans Balance	9
Hardware included	4	Care and Cleaning	10
		Troubleshooting	10

Safety Information

- To reduce the risk of electric shock, ensure the electricity has been turned off at the circuit breaker or fuse box before beginning.
- All wiring must be in accordance with the National Electrical Code ANSI/NFPA 70 and local electrical codes. Electrical installation should be performed by a qualified licensed electrician.
- The outlet box and support structure must be securely mounted and capable of reliably supporting 50 lbs. (22.7 kg). Use only UL Listed outlet boxes marked "Acceptable for Fan Support of 50 lbs. (22.7 kg) or less."
- The fan must be mounted with a minimum of 7 ft (2.1 m) clearance from the trailing edge of the blades to the floor.
- Do not operate the reversing switch while the fan blades are in motion. You must turn the fan off and stop the blades before you reverse the blade direction.
- Do not place objects in the path of the blades.
- To avoid personal injury or damage to the fan and other items use caution when working around or cleaning the fan.
- Electrical diagrams are for reference only. Light kits that are not packed with the fan must be UL-listed and marked suitable for use with the model fan you are installing. Switches must be UL General Use Switches. Refer to the instructions packaged with the light kits and switches for proper assembly.
- After making electrical connections, spliced conductors should be turned upward and pushed carefully up into the outlet box. The wires should be spread apart with the grounded conductor and the equipment-grounding conductor on one side of the outlet box.
- All set screws must be checked and retightened where necessary before starting fan or light working.



WARNING: To reduce the risk of personal injury, do not bend the blade brackets (also referred to as flanges) during assembly or after installation. Do not insert objects in the path of the blades.



WARNING: To reduce the risk of fire, electric shock or personal injury, mount to outlet box marked "acceptable for fan support of 50 lbs. (22.7 Kg) or less" and use screws provided with the outlet box.



WARNING: To reduce the risk of fire or electric shock, do not use this fan with any solid-state speed control device.



WARNING: To avoid possible electrical shock, turn the electricity off at the main fuse box before wiring. If you feel you do not have enough electrical wiring knowledge or experience, contact a licensed electrician.



WARNING: Electrical diagrams are for reference only. Optional use of any light kit shall be UL-listed and marked suitable for use with this fan.



WARNING: Remove the rubber motor stops on the bottom of the fan before installing the blades or testing the motor.

Warranty

The supplier warrants the fan motor to be free from defects in workmanship and material present at time of shipment from the factory for a lifetime after the date of purchase by the original purchaser. The supplier also warrants that all other fan parts, excluding any glass or acrylic blades, to be free from defects in workmanship and material at the time of shipment from the factory for a period of one year after the date of purchase by the original purchaser. We agree to correct such defects without charge or at our discretion replace with a comparable or superior model if the product is returned. To obtain warranty service, you must present a copy of the receipts proof of purchase. All costs of removing and reinstalling the product are your responsibility. Damage to any part, such as by accident, misuse, improper installation or by affixing any accessories, is not covered by this warranty. Because of varying climatic conditions this warranty does not cover any changes in brass finish, including rusting, pitting, corroding, tarnishing or peeling. Brass finishes of this type wear best when protected from varying weather conditions. A certain amount of "wobble" is normal and should not be considered as a defect. Servicing performed by unauthorized persons shall render the warranty invalid. There is no other express warranty. Hereby disclaims any and all warranties, including but not limited to those of merchantability and fitness for a particular purpose to the extent permitted by law. The duration of any implied warranty which cannot be disclaimed is limited to the time period as specified in the express warranty. Some states do not allow a limitation on how long an implied warranty lasts, so the above limitation may not apply to you. The retailer shall not be liable for incidental, or special damages arising out of or in connection with product use of performance except as may otherwise be accorded by law. Some states do not allow the exclusion of incidental or consequential damages, so the above exclusion or limitation may not apply to you. This warranty gives specific legal rights, and you may also have other rights which vary from state to state. This warranty supersedes all prior warranties. Shipping costs for any return of products as part of a claim on the warranty must be paid by the customer.

Pre-Installation

SPECIFICATION

Size	speed	Volts	Amps	Watts	RPM	CFM	Net Weight	Gross Weight	Cube Feet
52"	1	120	0.089	9.7	131	3445	4.4KG (9.7lbs)	5.5KG (12.1lbs)	1.81 cu.ft
	2		0.132	14.6	152	4081			
	3		1.152	17.3	161	4211			
	4		0.21	24.7	180	4702			
	5		0.258	30.6	193	5406			
	6		0.334	39.8	213	5554			

The above data is for reference only. The motor speed of each ceiling fan varies.

NOTE: These are approximate measures. They do not include the amps and wattage used by the light kit.

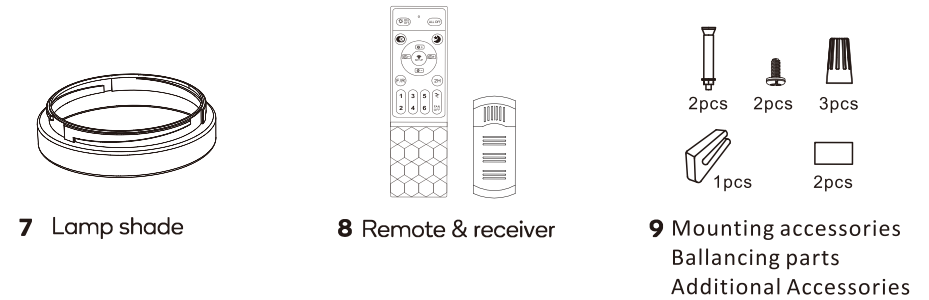
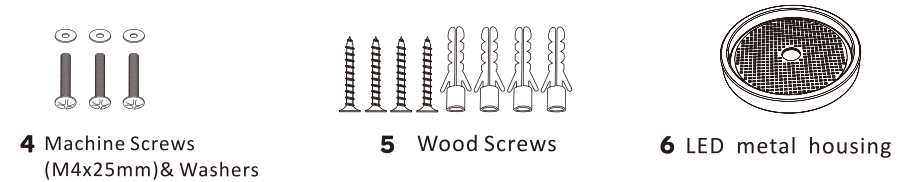
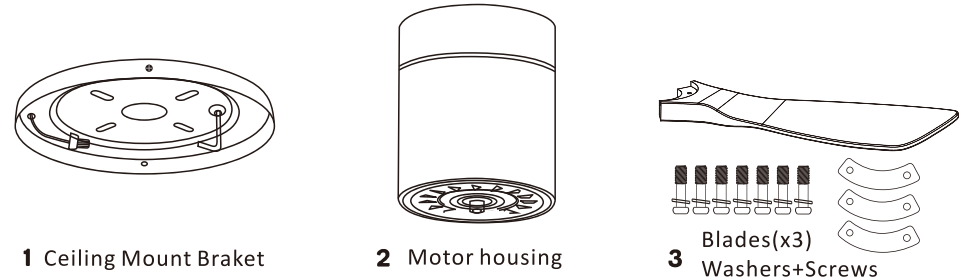
Specifications & measurements shown are subject to ±5% variations.

TOOLS REQUIRED

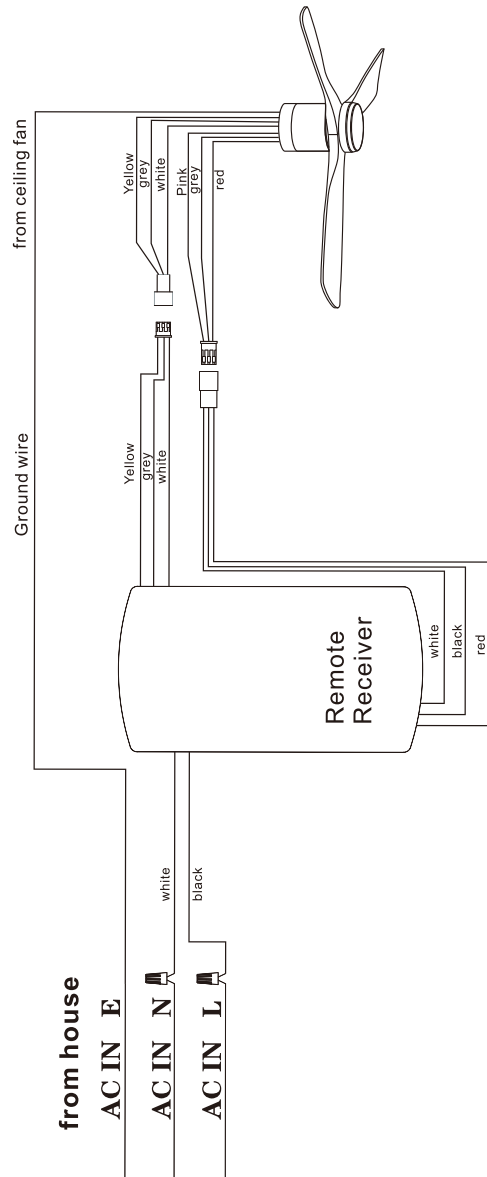


Pre-Installation (continued)

HARDWARE INCLUDED

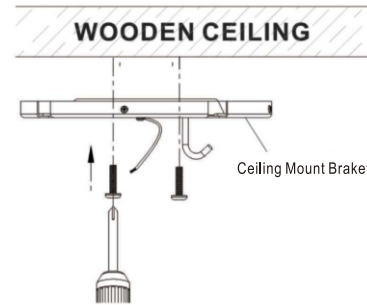


Wiring Diagram



- Connect the wire which from ceiling fan into the receiver.
- Connect the wire from the receiver with the wire from the house

Assembly – Standard Ceiling Mount



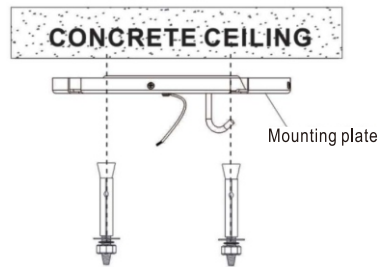
For wooden ceiling, use wood screw to drill on the wooden beam or the "junction box" to fix the Ceiling Mount bracket(selection is made according to actual requirements of the customers).

STEP 1A-WOODEN CEILING

SWITCH OFF THE ELECTRICAL MAINS AT THE CIRCUIT BREAKER FUSE BOX.

- 1)Use the Mounting Bracket as a guide, mark the spots where the 4 Self Tapping Screws will be drilled.
- 2)Remove the Mounting Bracket , drill 4 holes for 3MM diameter, install the mounting bracket onto wooden ceiling with the 4 Self Tapping Screws.

⚠ IMPORTANT:SCREWS MUST BE TIGHTENED TILL SNUG



For concrete ceiling, use the percussion bit with diameter 8mm to drill holes according to the length of expansion screws. Then use the attached expansion screws to fix the hanging bracket onto the ceiling(selection is made according to actual requirements of the customers).

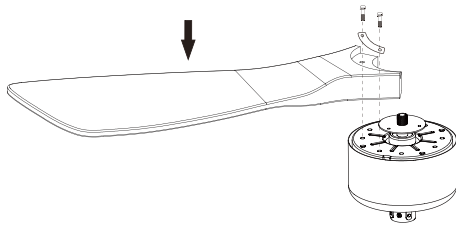
STEP 2A-CONCRETE CEILING

SWITCH OFF THE ELECTRICAL MAINS AT THE CIRCUIT BREAKER FUSE BOX.

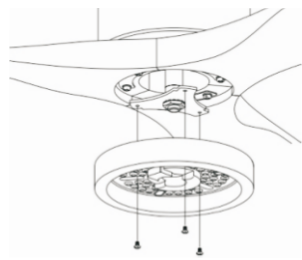
- 1)Use the Mounting Bracket as a guide, mark the spots where the 4 Expansion Bolts will be drilled.
- 2)Remove the Mounting Bracket , drill 4 holes and insert 4 Expansion Bolts (2) into the concrete ceiling, install the mounting bracket and secure with Flat Washers, Spring Washers and Nuts.

⚠ IMPORTANT:SCREWS & NUTS MUST BE TIGHTENED TILL SNUG

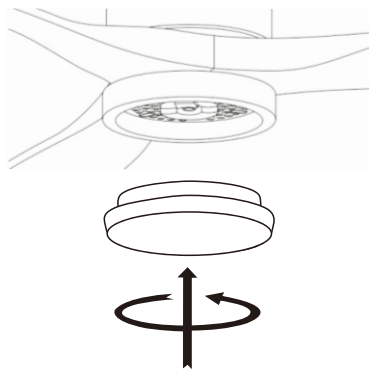
Installation – Blade and Light Kit



- Remove the 2 screws and the lamp holder from the fixing panel.
- Insert the blades through the motor housing's side slots and align them with the 3 holes.
- Secure the blades using 2 blade screws and ensure that the blade screws are tightened properly. Do not over tighten the screws as this can damage the blades.
- Repeat this process for the remaining blades.



- Align the LED panel screw holes with those on the motor and attach both parts by means of the screws provided.



- Carefully install the lamp shade into the main body and turn it clockwise to secure it in place.

WARNING: Do not over tighten when installing the glass shade.

Hang the fan and Install the Receiver

Preparing for mounting

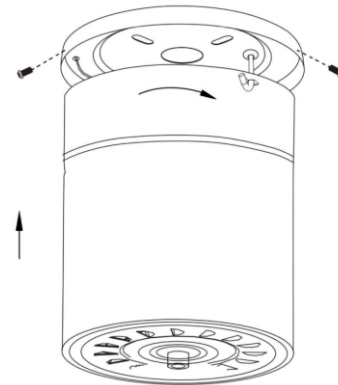
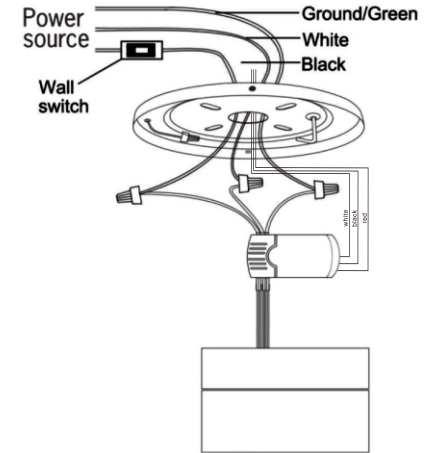
1. Make wiring connections using wire connectors provided as indicated above.

White from house to White from remote receiver marked AC N.

Black from house to Black from remote marked AC L.

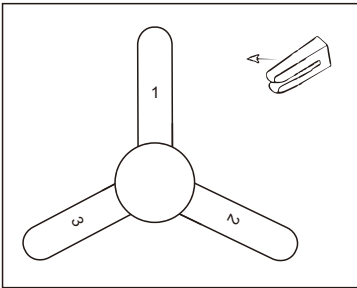
Connect all green grounded wires to Grounded wire from House.

Make sure that no laments are outside of the wire connector.

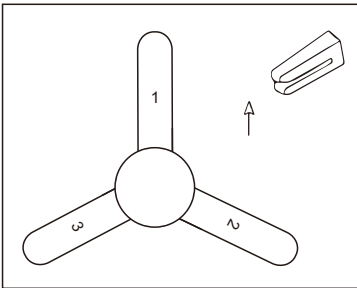


2. Lift motor assembly, aligning the keyhole slots with the preassembled screws on mounting plate, and twist clockwise till lock.

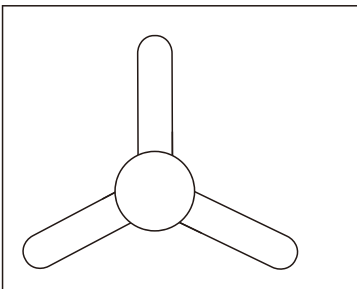
Fan Balance



- Put the clip in the center of a blade. Turn on the fan and if the shade persists, put the clip in another blade until the shade is reduced. Then this blade will need the counterweight



- Please the clip on the blade that needs the counterweight and try the best place to place it, from the center to the tip of the blade, until the wobble disappears



- Paste the counterweight on the surface of the blade which near the clip, remove the clip and test the fan. If it keeps staggering, put another counterweight. If it gets worse, try another area to place it. Please try patiently until the fan is balanced

Care and Cleaning



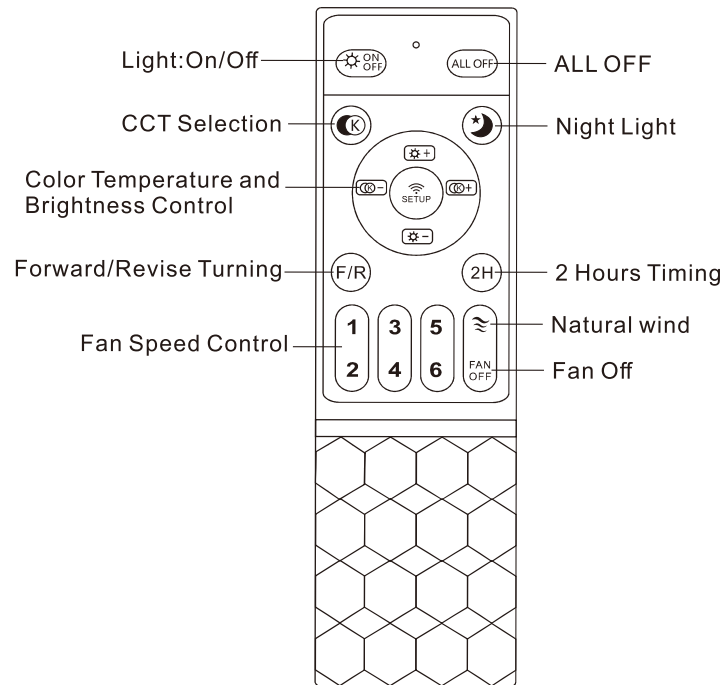
WARNING: Make sure the power is off before cleaning your fan

- Because of the fan's natural movement, some connections may become loose. Check the support connections, brackets, and blade attachments twice a year. Make sure they are secure. It is not necessary to remove the fan from the ceiling.
- Clean your fan periodically to help maintain its new appearance over the years. Do not use water when cleaning, as this could damage the motor or the wood, or possibly cause an electrical shock. Use only a soft brush or lint-free cloth to avoid scratching the finish. The plating is sealed with a lacquer to minimize discoloration or tarnishing.
- You can apply a light coat of furniture polish to the wood for additional protection and enhanced beauty. Cover small scratches with a light application of shoe polish.
- You do not need to oil your fan. The motor has permanently – lubricated sealed ball bearings.


Troubleshooting

Problem	Solution
The fan will not start	<ul style="list-style-type: none"> □ Check the main and branch circuit fuses or breakers □ Check the line wire connections to the fan and switch wire connections in the switch housing □ Check the battery in the remote control □ Ensure you are in the normal range of 10-20 feet □ Turn the power off and ensure that the dip switch settings are the same on the remote control and receiver
The fan is noisy	<ul style="list-style-type: none"> □ Ensure all motor housing screws are snug. □ Ensure the screws that attach the fan blade bracket to the motor hub are tight. □ Ensure the wire nut connections are not ratting against each other or the interior wall of the switch housing. □ Allow a 24-hour "breaking in" period. Most noises associated with a new fan disappear during this time. □ Ensure the screws securing the light kit and ensure the lamp cover is secure. □ Ensure the canopy is a short distance from the ceiling. It should not touch the ceiling.
The fan wobbles	<ul style="list-style-type: none"> □ Check that all blade and blade arm screws are secure. □ Most fan wobble problems are caused when blade levels are unequal. Check this level by selecting a point on the ceiling above the tip of one of the blades. Measure from a point on the center of the blade to the point on the ceiling. Rotate the fan until the next blade is positioned for measurement, and measure from the same point on each blade to the ceiling. Repeat for each blade. Any measurement deviation should be within 1/8 in. Run the fan for ten minutes. If the fan continues to wobble please contact Customer Service and a balancing kit will be sent to you at no charge.

Use of Remote Control



Tips:

- 1.The remote and controller/Receiver were setup to match each other in the manufacture, so that you can use the remote to control the fan and light.
- 2.While the remote can't control the fan or light, please check whether the battery is good or not.
 - 2.1 connection good or not
 - 2.2 A new batteries needed or notIf the batteries are good, but the remote can not control fan or light, please re-setup the remote to match the fan.
3. Too low battery voltage will affect the remote control distance and may cause remote fail. Please replace the battery in time
4. When not use for a long time, please take out the batteries of the remote control.
5. Setup procedure and button:
 - 5.1Power off
 - 5.2Keep OFF for more than 1 Minute
 - 5.3Power on, then press  buttons immediately, for 5 seconds
 - 5.4You will hear a beep , that means SETUP successfully.
 - 5.5You can use the remote to control the fan and light
- 6.Make sure children don't play the remote
7. For more assistants, please contact us for support.