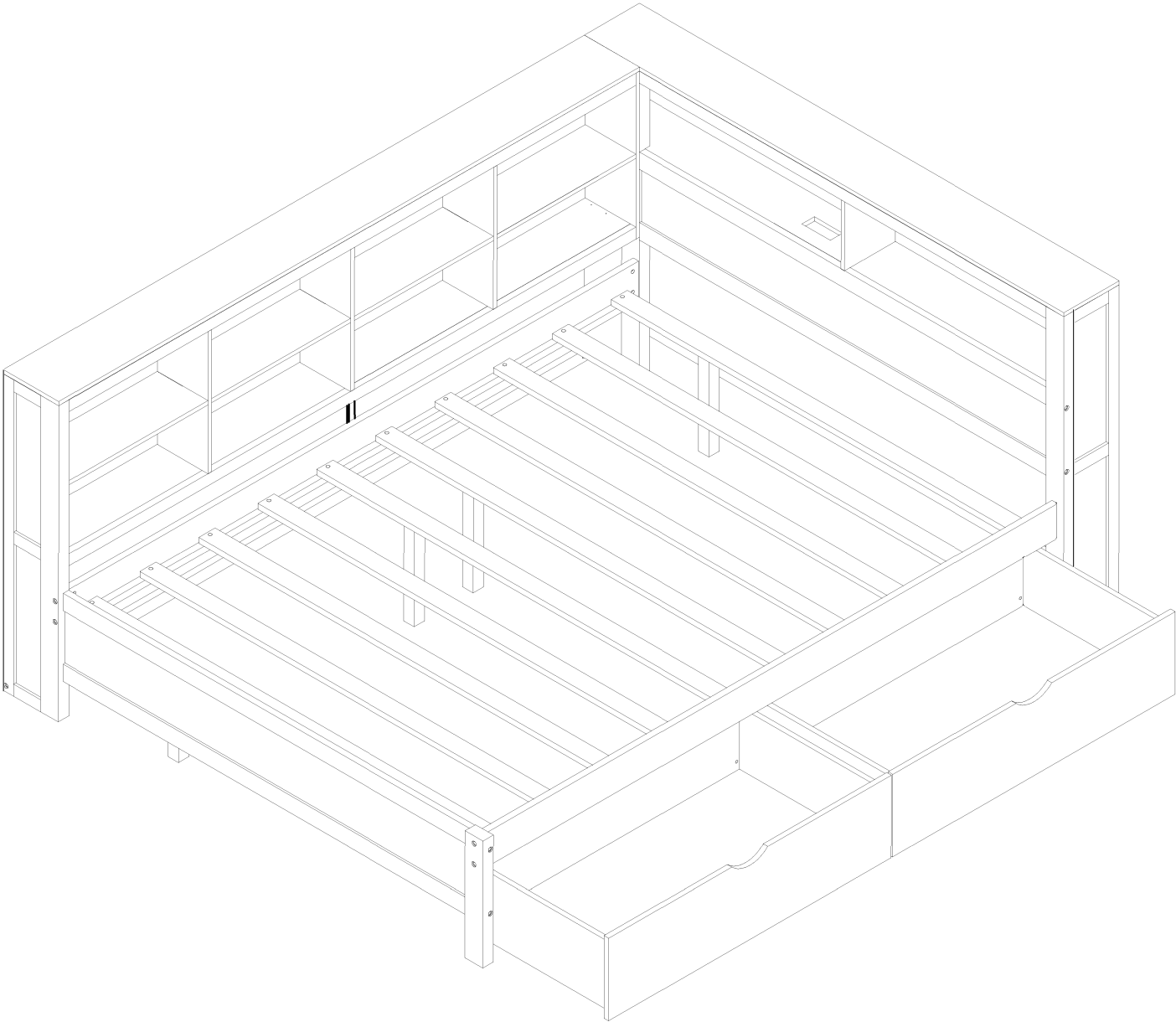
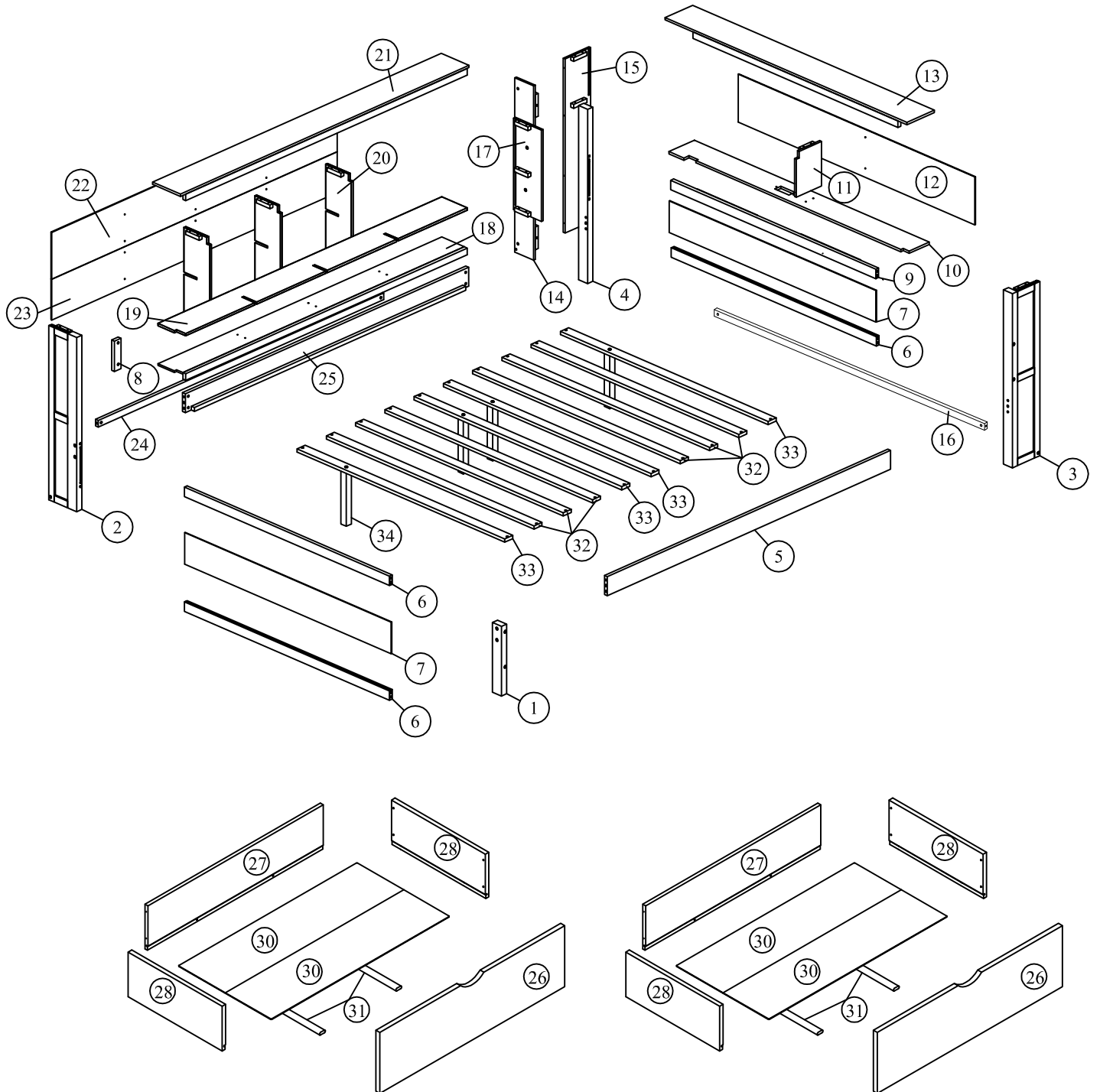


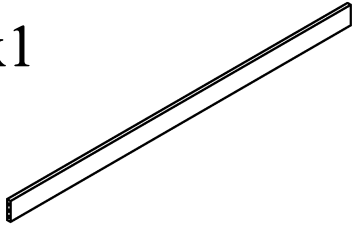
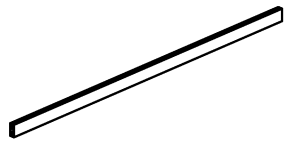
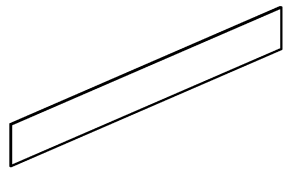

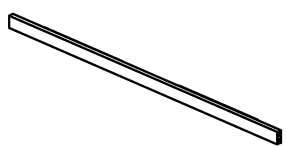
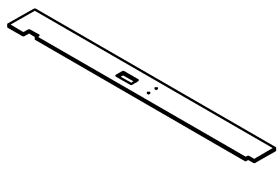
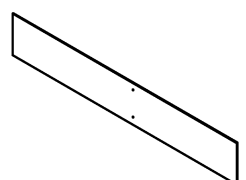
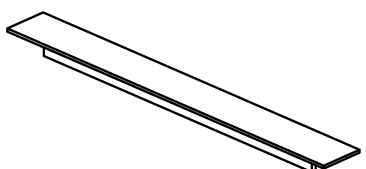
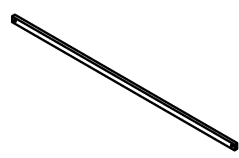
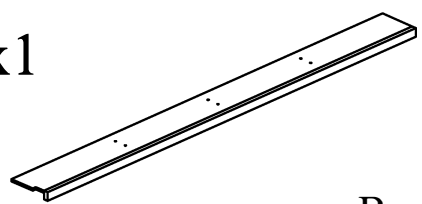
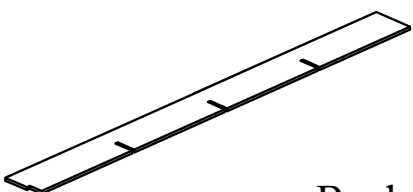
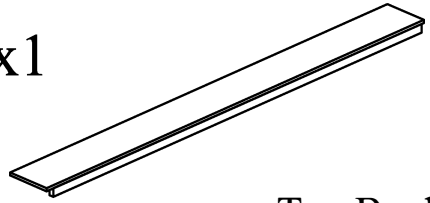
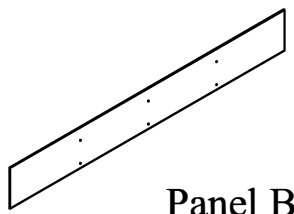
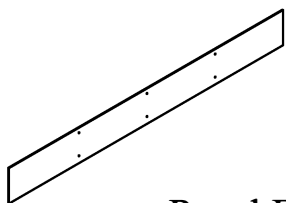
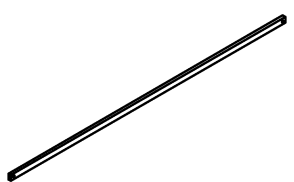
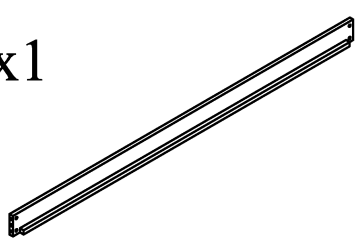
ASSEMBLY INSTRUCTION



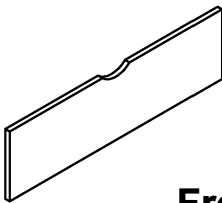
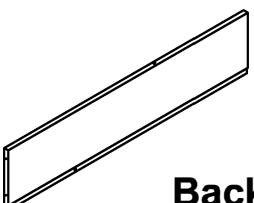
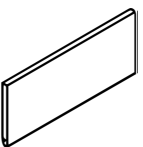
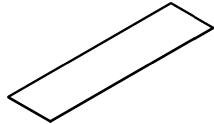
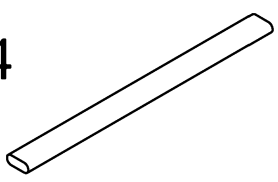
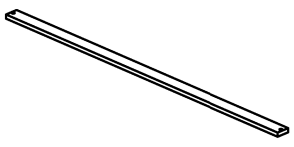
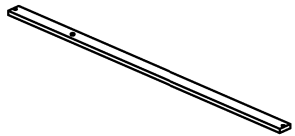
Detail view




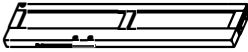
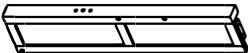
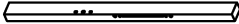
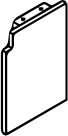
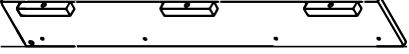



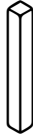
Part List

<p>⑤ x1</p>  <p style="text-align: right;">Side rail</p>	<p>⑥ x3</p>  <p style="text-align: center;">Crossbar Footboard - Headboard</p>
<p>⑦ x2</p>  <p style="text-align: center;">Panel Footboard - Headboard</p>	<p>⑧ x1</p>  <p style="text-align: right;">Support Side rail</p>
<p>⑨ x1</p>  <p style="text-align: center;">Crossbar Headboard</p>	<p>⑩ x1</p>  <p style="text-align: center;">Bookshelf Headboard</p>
<p>⑫ x1</p>  <p style="text-align: center;">Panel Bookshelf Headboard</p>	<p>⑬ x1</p>  <p style="text-align: center;">Top Bookshelf Headboard</p>
<p>⑯ x1</p>  <p style="text-align: center;">Crossbar Bookshelf Headboard</p>	<p>⑱ x1</p>  <p style="text-align: right;">Bookshelf</p>
<p>⑲ x1</p>  <p style="text-align: center;">Bookshelf</p>	<p>⑳ x1</p>  <p style="text-align: center;">Top Bookshelf</p>
<p>㉑ x1</p>  <p style="text-align: center;">Panel Bookshelf</p>	<p>㉒ x1</p>  <p style="text-align: center;">Panel Bookshelf</p>
<p>㉓ x1</p>  <p style="text-align: center;">Crossbar Bookshelf</p>	<p>㉔ x1</p>  <p style="text-align: right;">Side rail</p>

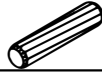
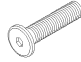
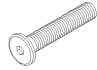












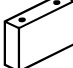
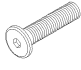

Part List

<p>26 x2</p>  <p>Front Drawers</p>	<p>27 x2</p>  <p>Back Drawers</p>
<p>28 x4</p>  <p>Side Right Drawers</p>	<p>30 x4</p>  <p>Top Drawers</p>
<p>31 x4</p>  <p>Support Drawers</p>	<p>32 x6</p>  <p>Slats</p>
<p>33 x4</p>  <p>Slats</p>	

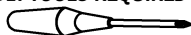
Part List

<p>① x1</p>  <p>Leg Footboard</p>	<p>② x1</p>  <p>Leg Footboard</p>
<p>③ x1</p>  <p>Leg Headboard</p>	<p>④ x1</p>  <p>Leg Headboard</p>
<p>⑪ x1</p>  <p>Mid Bookshelf</p>	<p>⑭ x1</p>  <p>Frame Headboard Leg</p>
<p>⑮ x1</p>  <p>Frame Headboard Leg</p>	<p>⑰ x1</p>  <p>Side Bookshelf</p>
<p>⑳ x3</p>  <p>Mid Bookshelf</p>	<p>㉔ x4</p>  <p>Leg Supports</p>

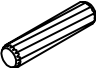



Hardware List

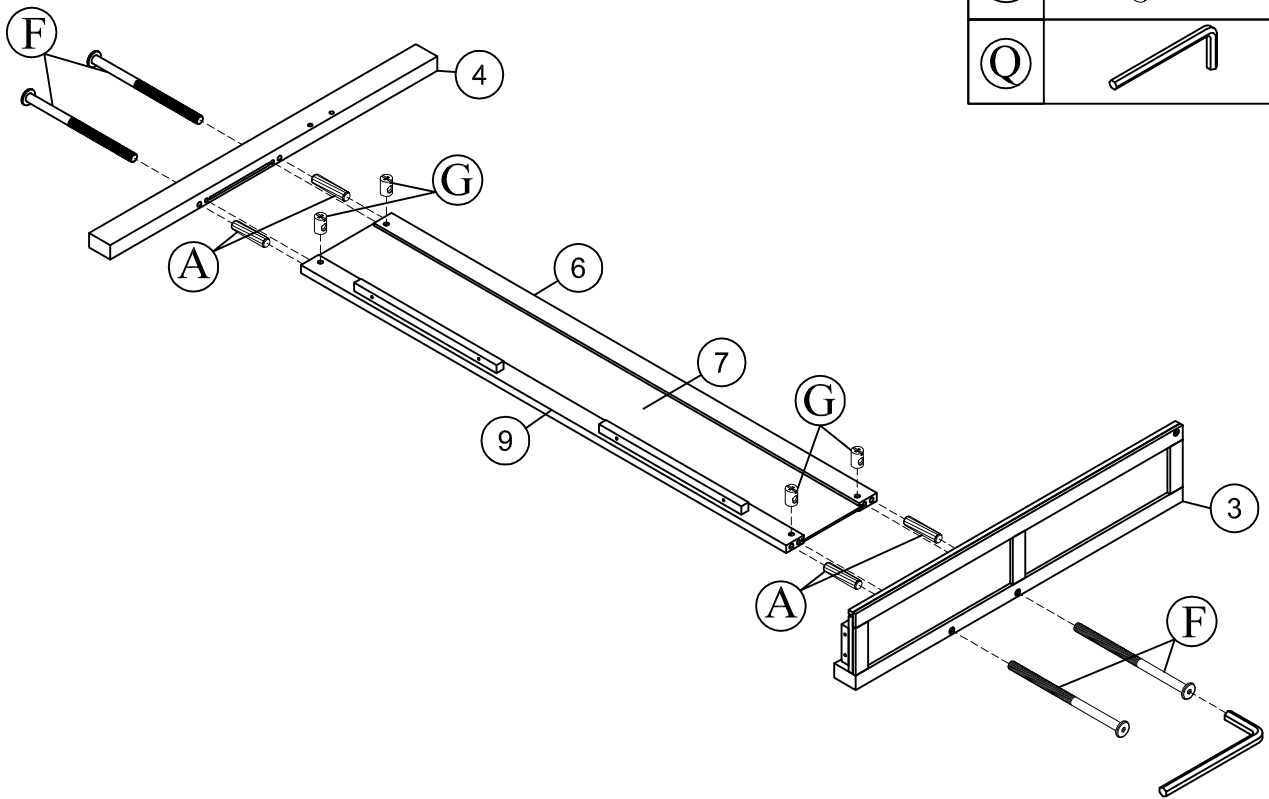
No.	OUTLOOK	DESC	QTY
(A)		Dowel Ø10*40mm	12
(B)		Bolts 1/4"*20mm	2
(C)		Bolts 1/4"*40mm	7
(D)		Bolts 1/4"*60mm	4
(E)		Bolts 1/4"*70mm	8
(F)		Bolts 1/4"*100mm	8
(G)		Cross dowel 1/4"*13mm	20
(H)		Screws #6*12mm	42
(I)		Screws #8*25mm	40
(J)		Screws #8*30mm	38
(K)		Screws #8*40mm	12
(L)		Round head screw #8*40mm	14
(M)		Wheels Drawer 40mm	8
(P)		Power outlet	1
(Q)		Allen key 60*22*4mm	1
(R)		Wood stops	3
(S)		Bolts 1/4"*30mm	2
(T)		Base L	4

ASSEMBLY TOOLS REQUIRED (NOT INCLUDED)

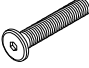



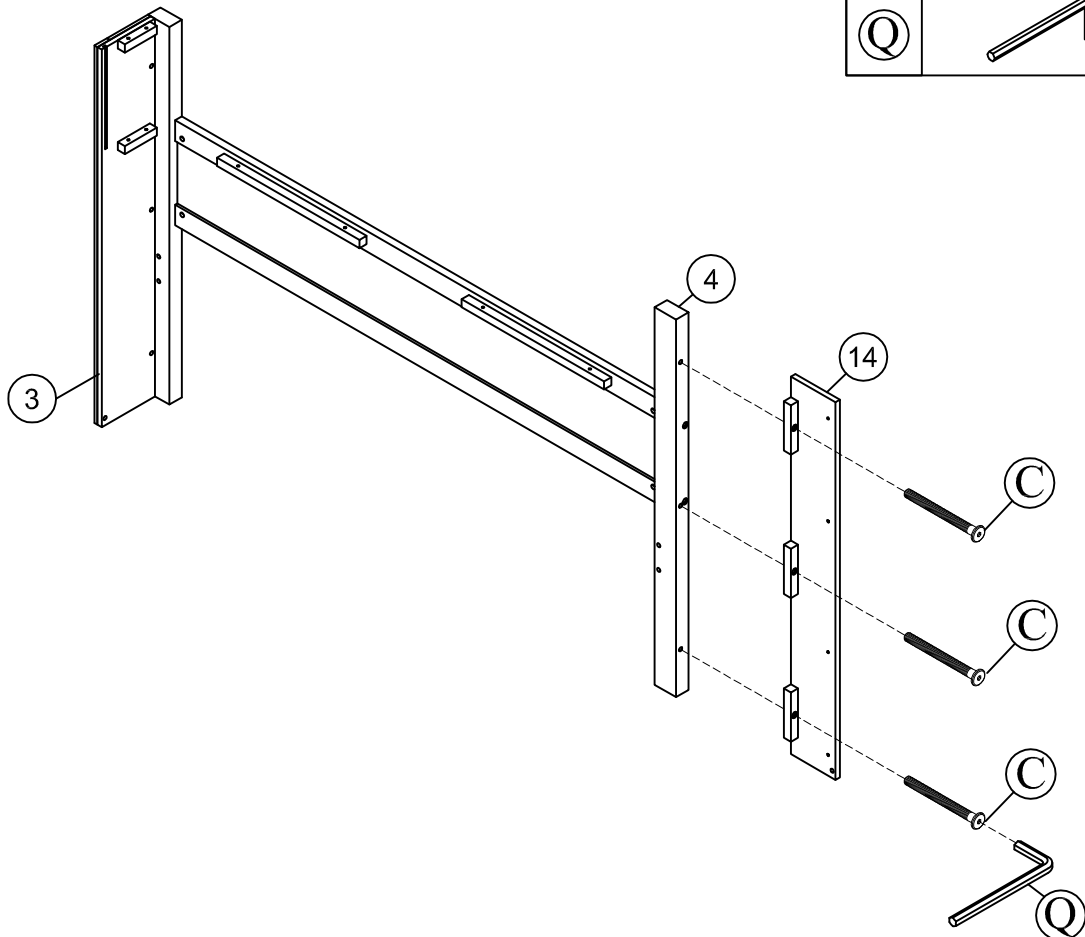
STEP 1:

(A)		04
(F)		04
(G)		04
(Q)		01




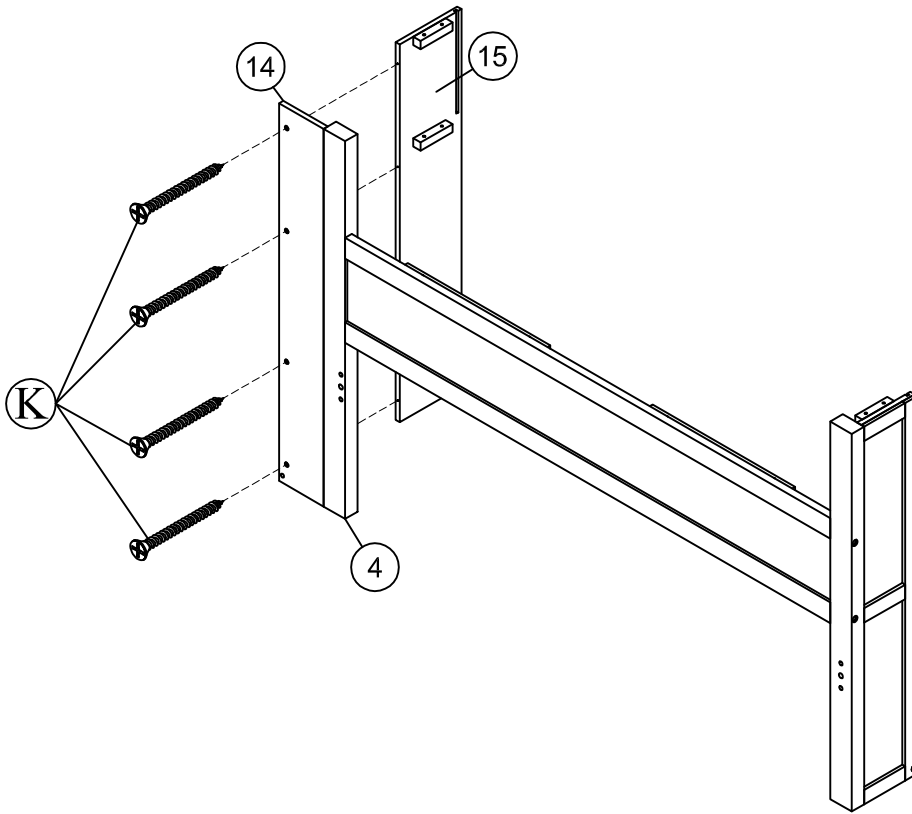
STEP 2:

(C)		03
(Q)		01



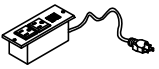


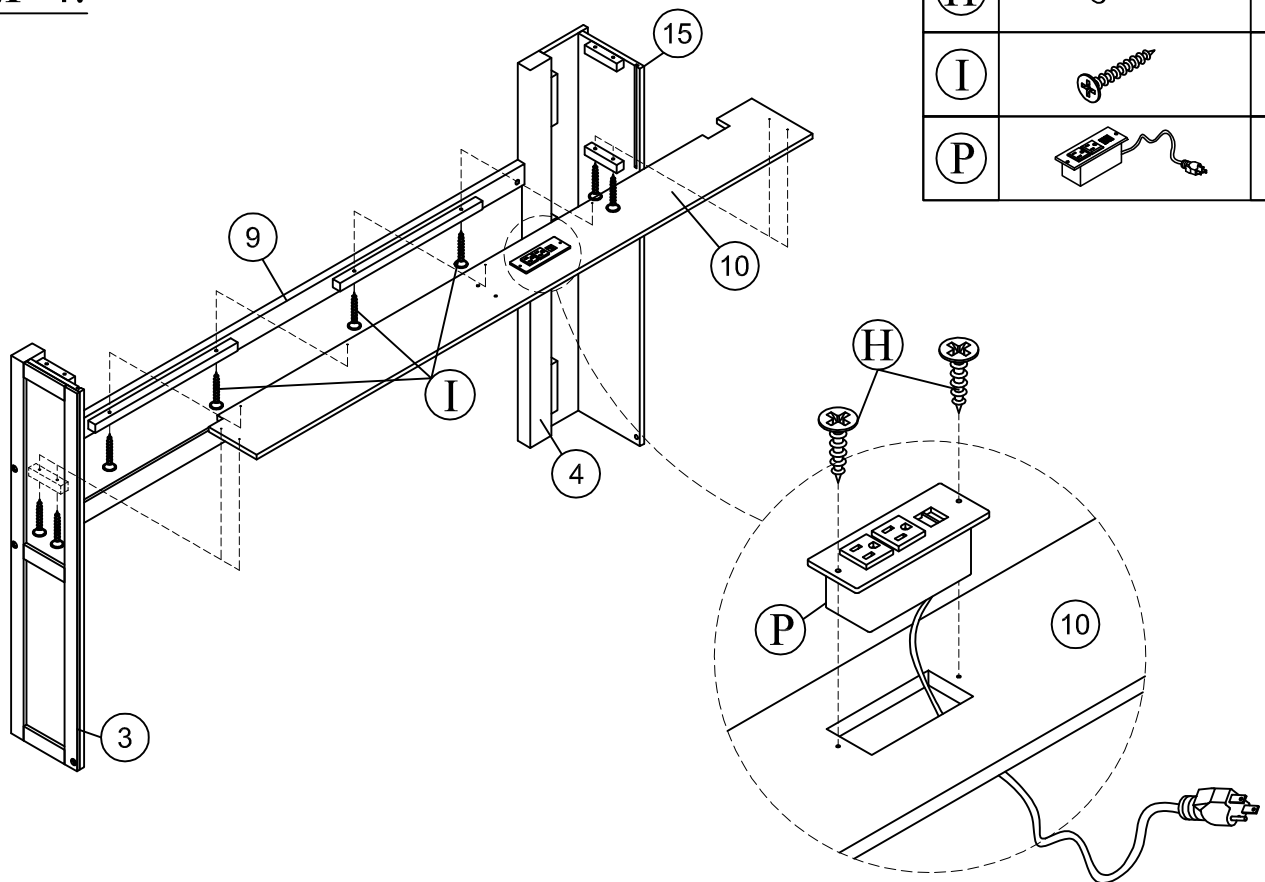
STEP 3:

(K)		04
-----	--	----

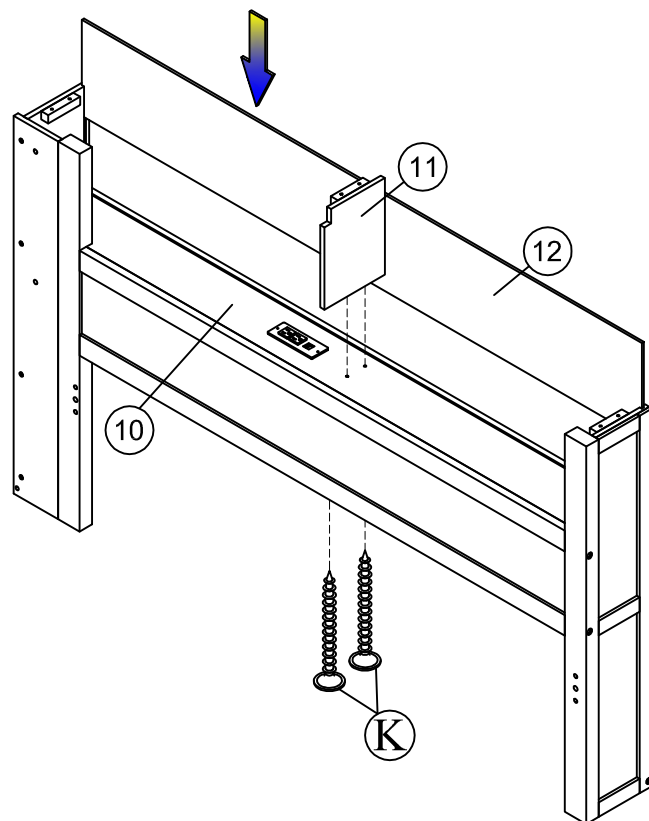
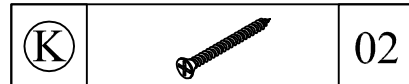


STEP 4:

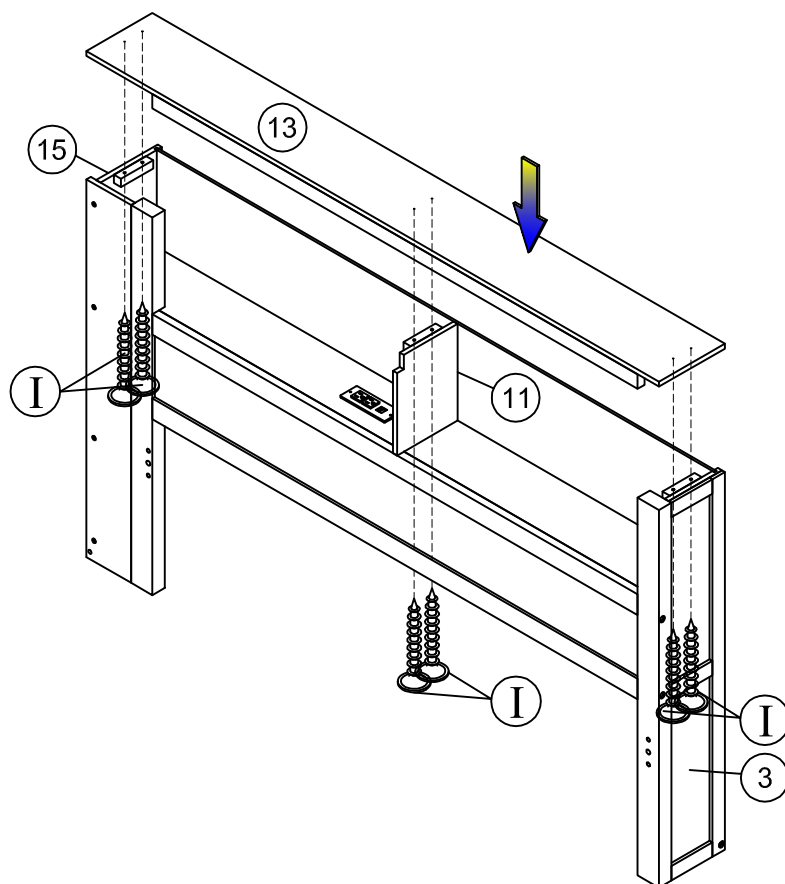
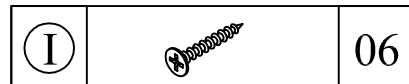
(H)		02
(I)		08
(P)		01



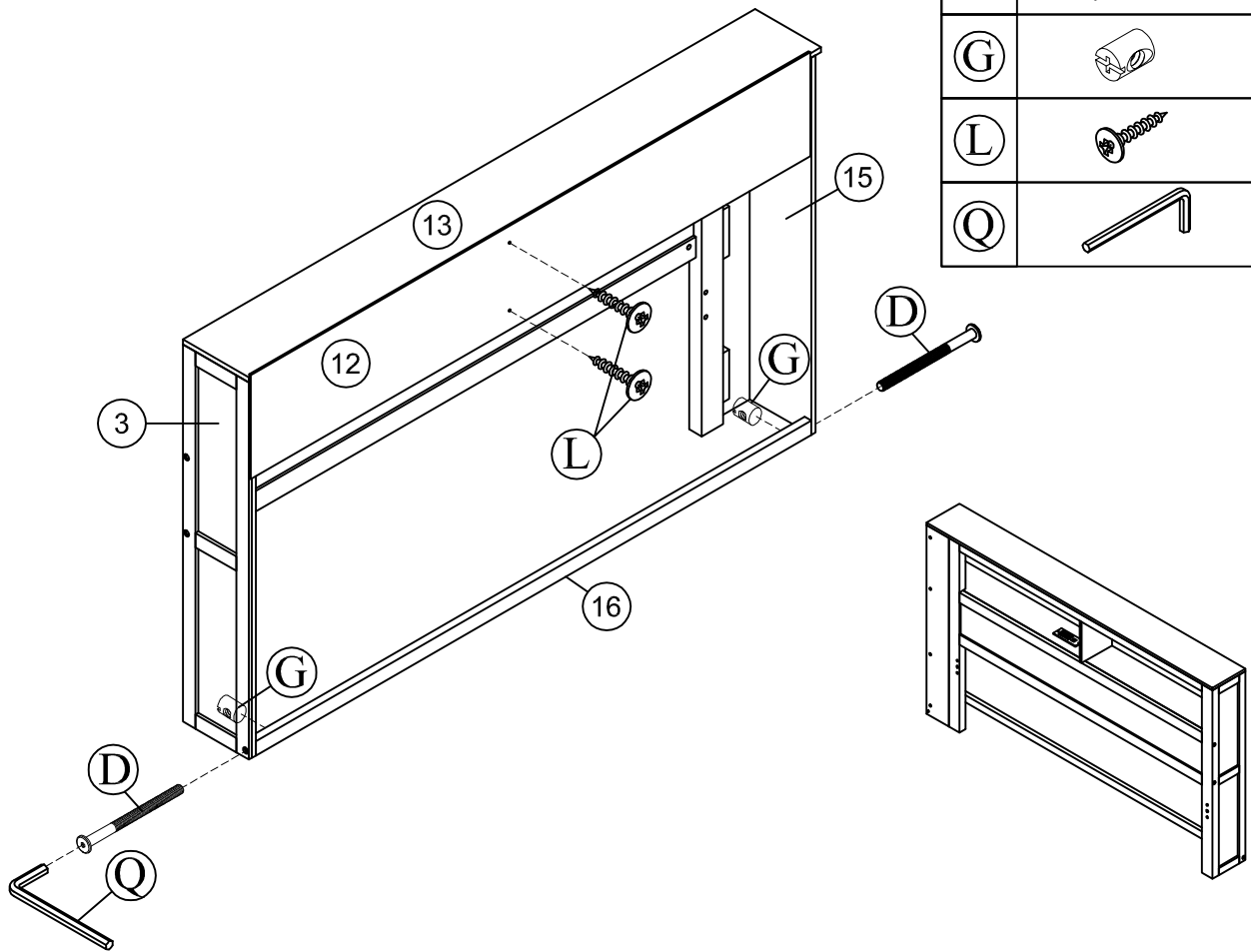
STEP 5:



STEP 6:

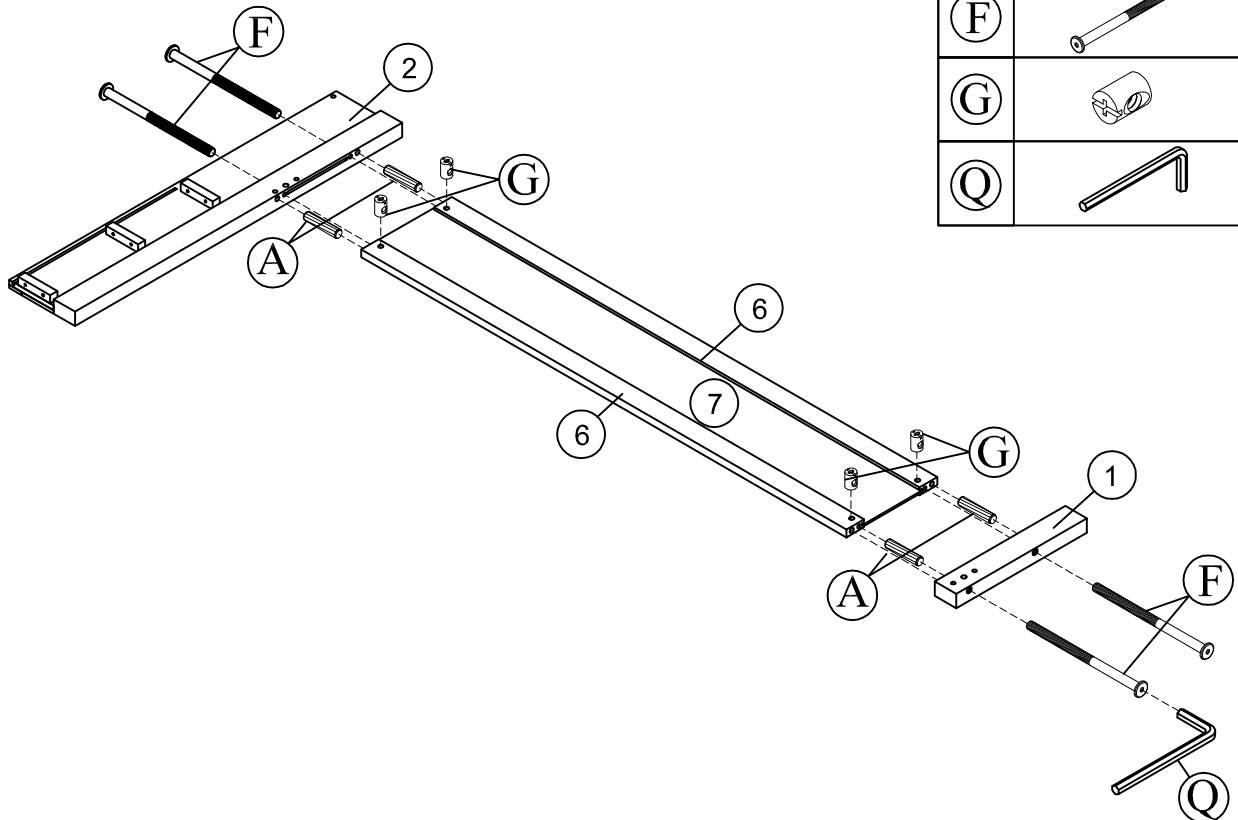


STEP 7:

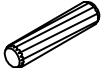





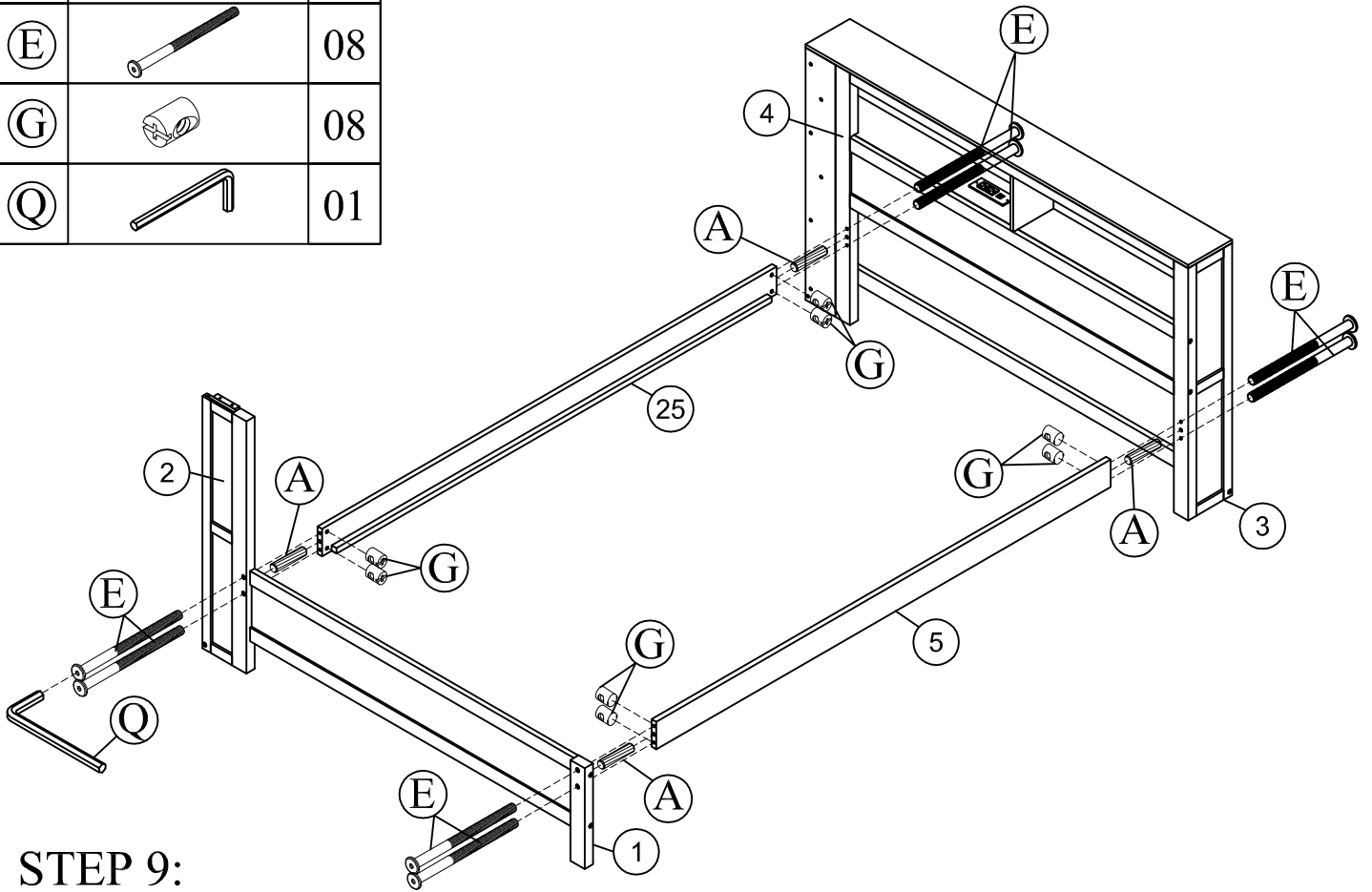
(D)		02
(G)		02
(L)		02
(Q)		01

STEP 8:



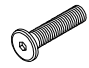

(A)		04
(F)		04
(G)		04
(Q)		01

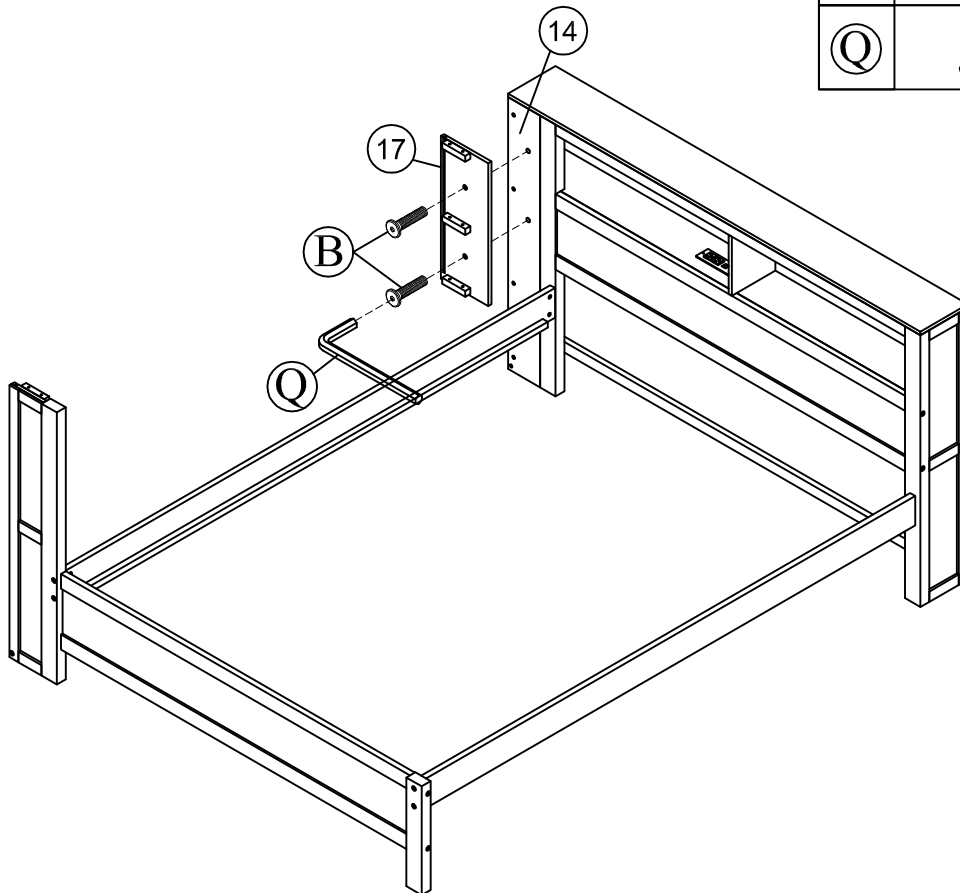
(A)		04
(E)		08
(G)		08
(Q)		01



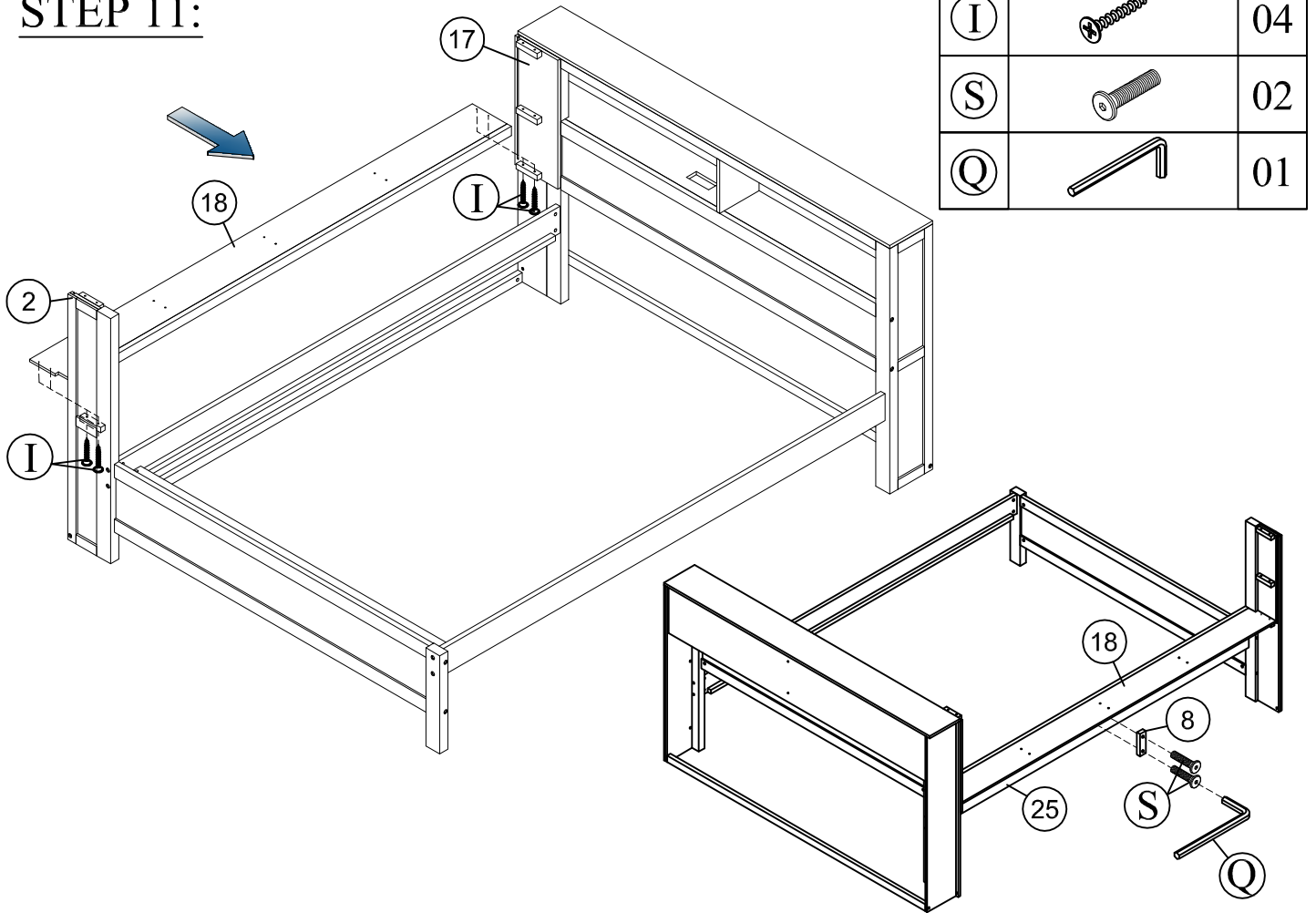
STEP 9:


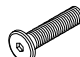

STEP 10:

(B)		02
(Q)		01

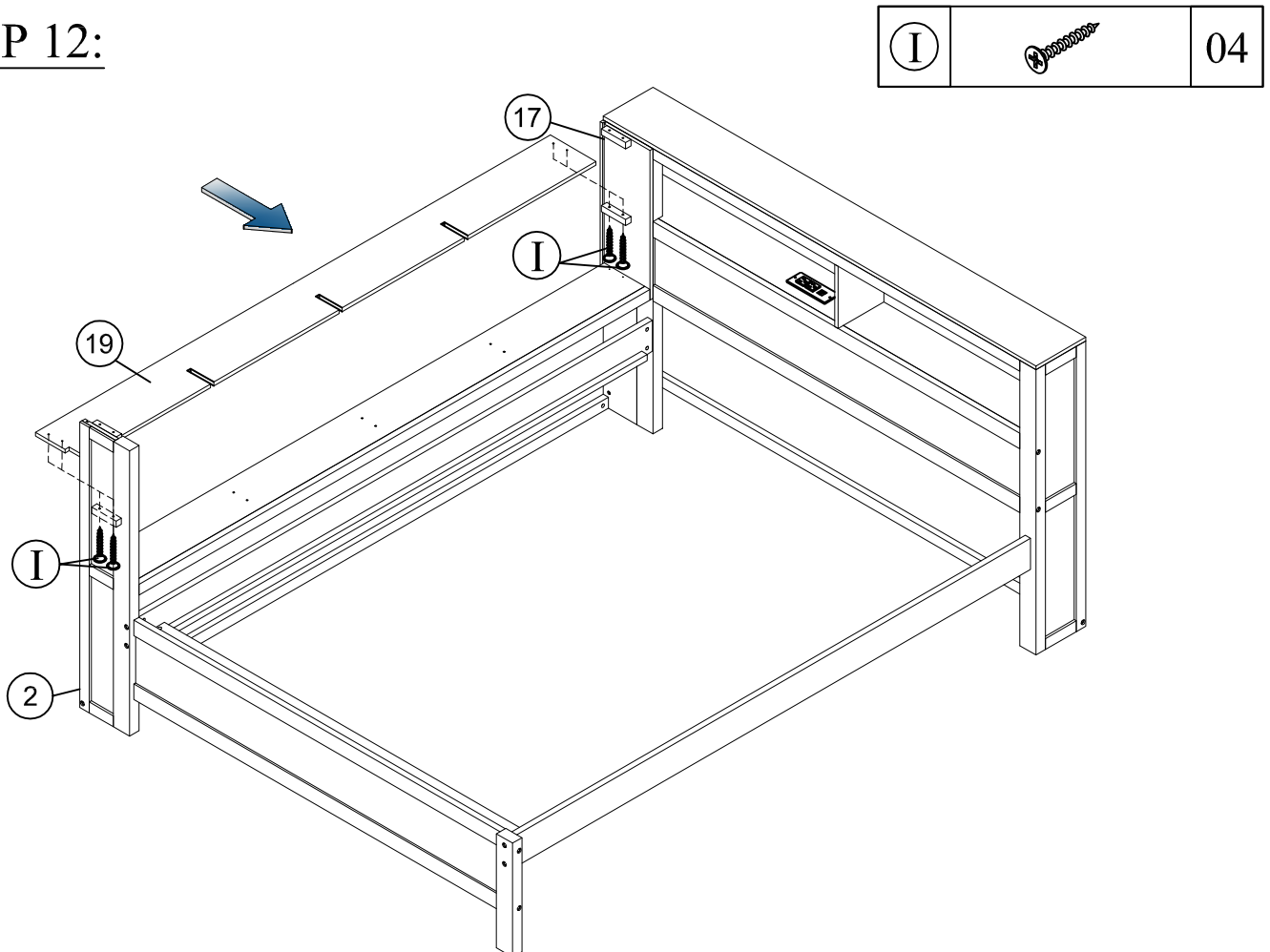



STEP 11:



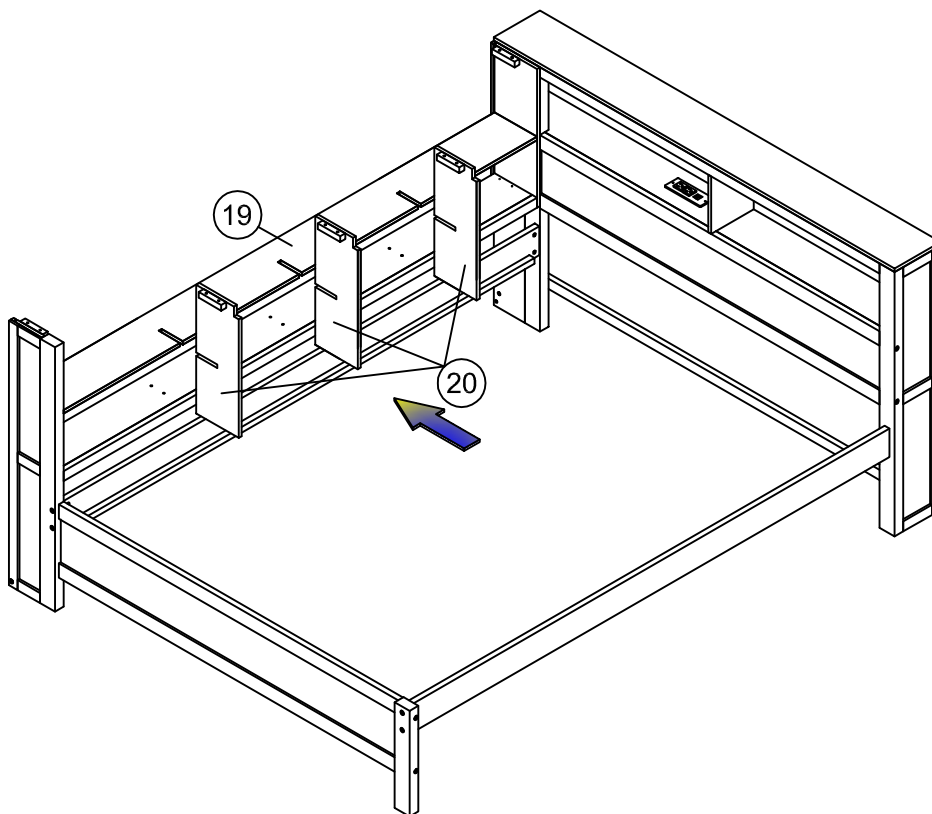
(I)		04
(S)		02
(Q)		01

STEP 12:

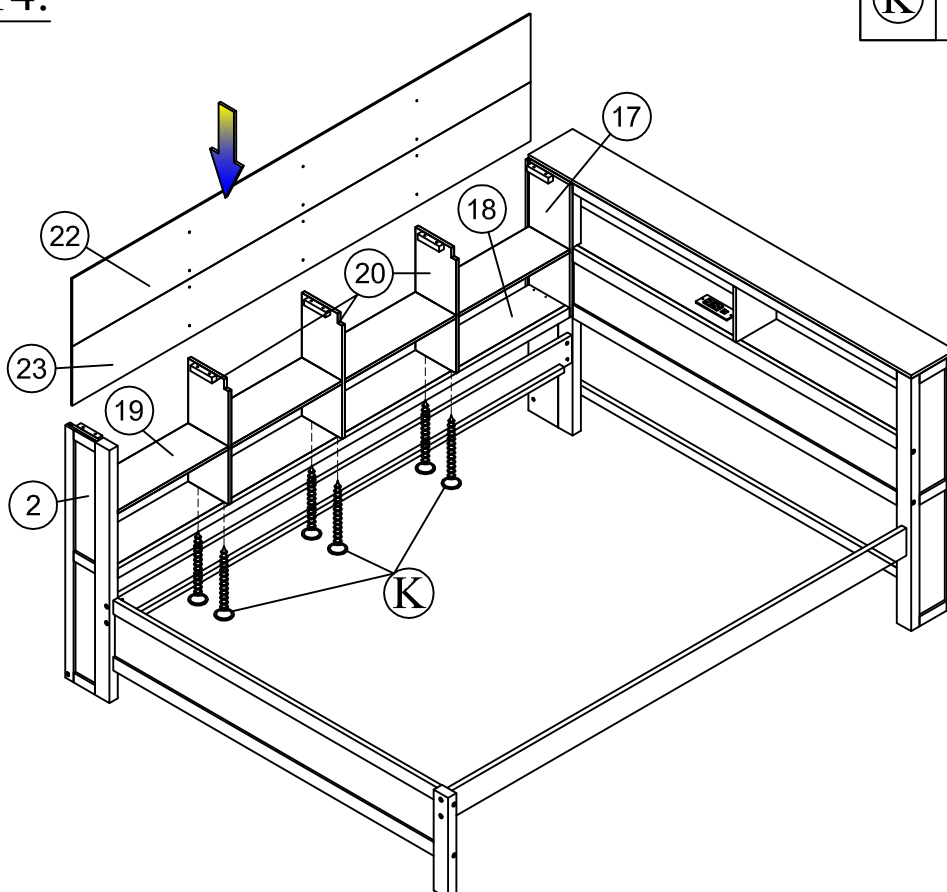
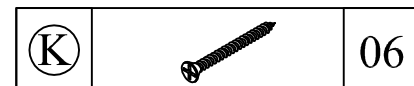


(I)		04
-----	---	----


STEP 13:

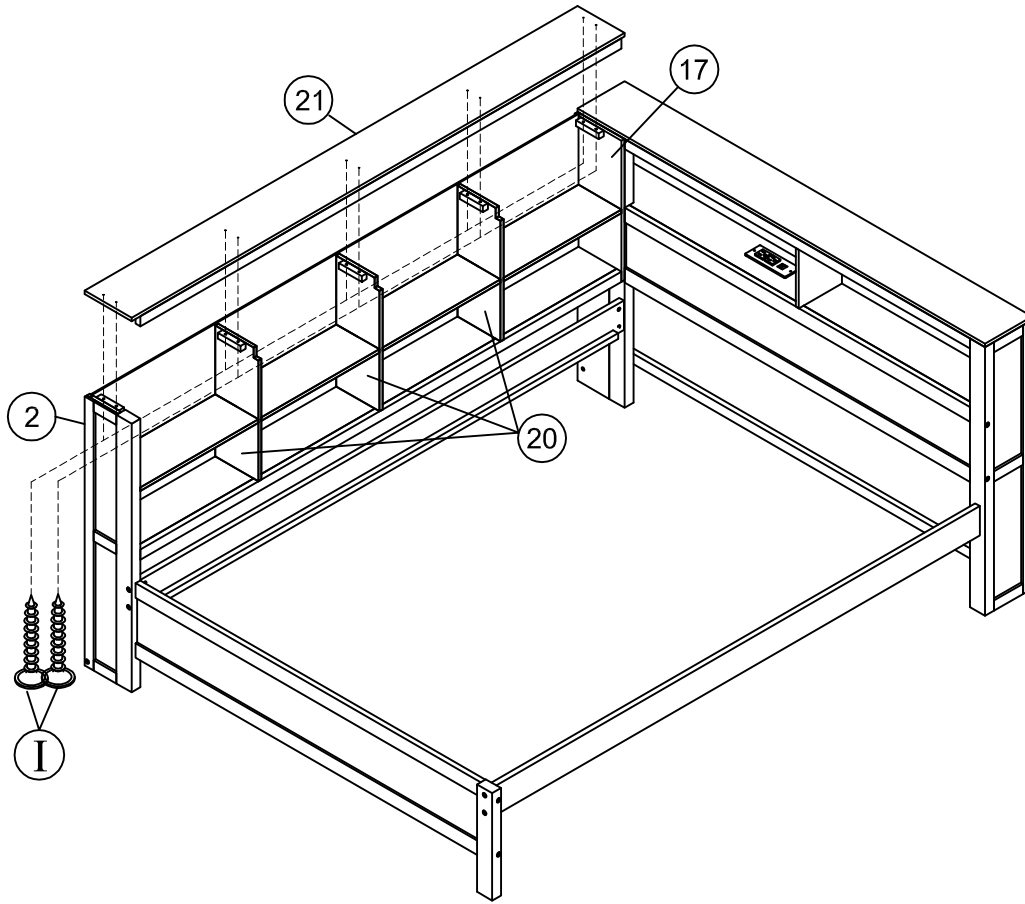


STEP 14:

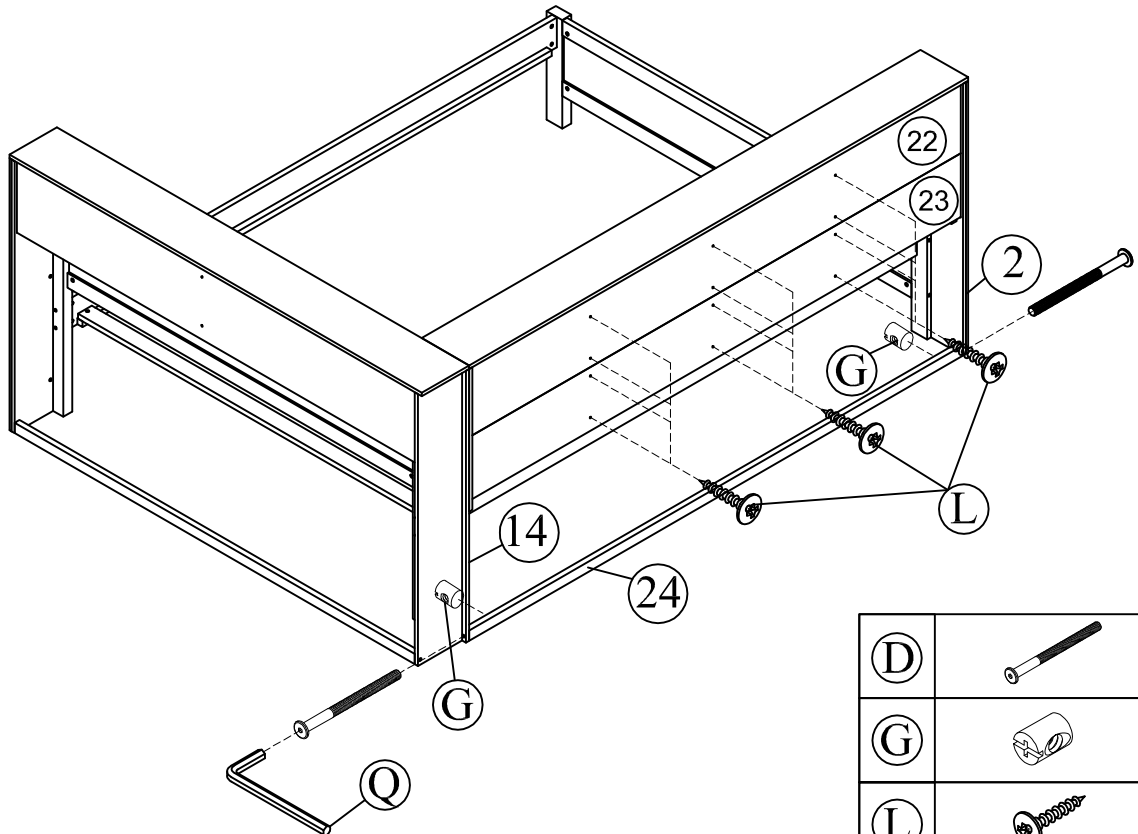






STEP 15:

I		10
---	--	----

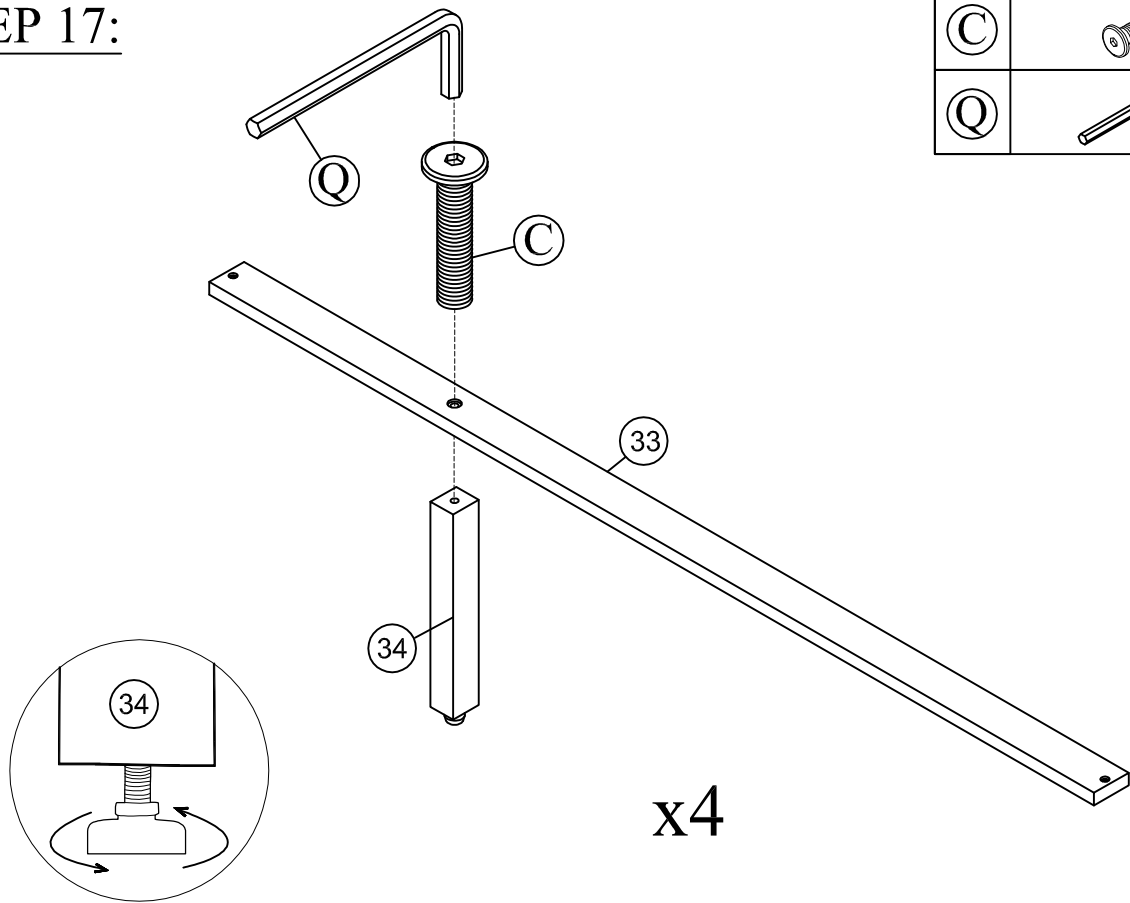


STEP 16:



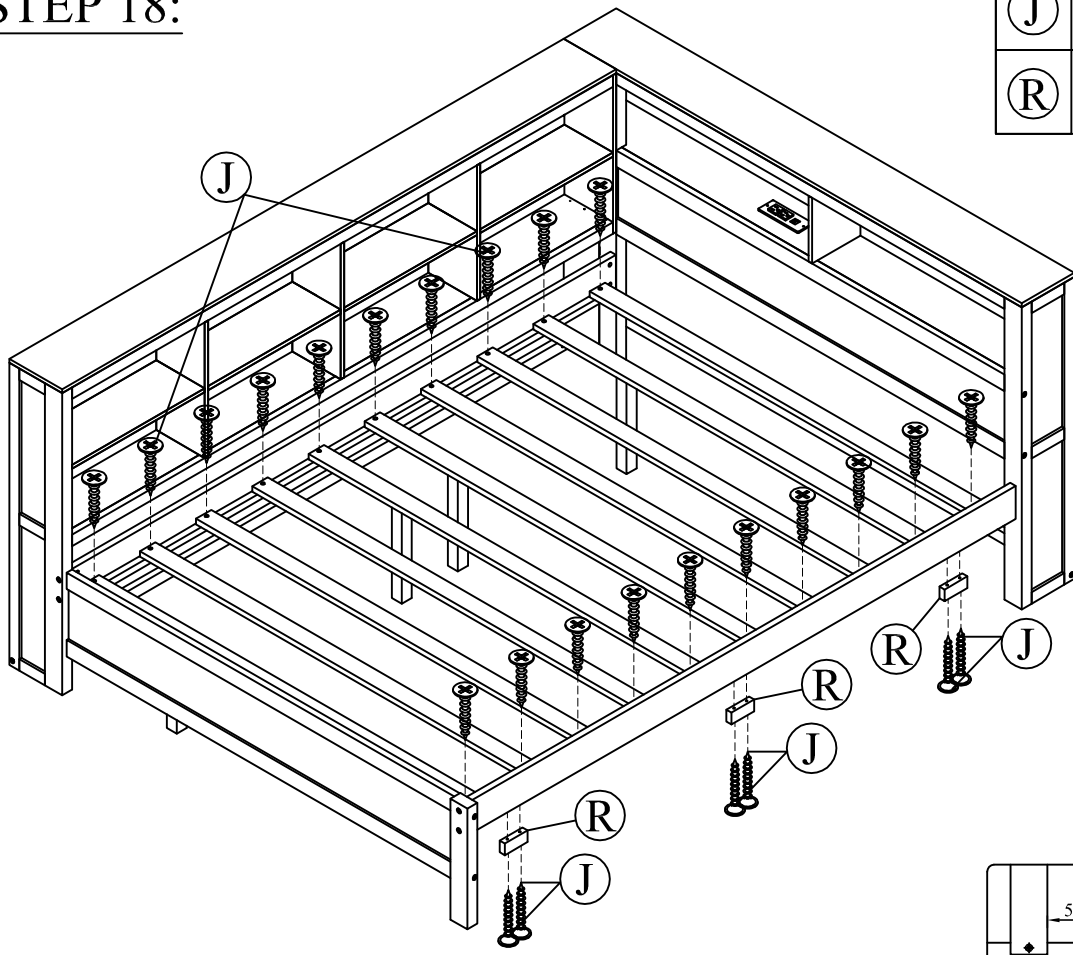
D		02
G		02
L		12
Q		01

STEP 17:

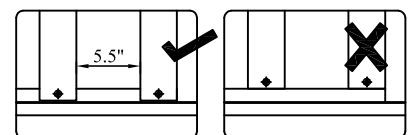


(C)		04
(Q)		01


STEP 18:

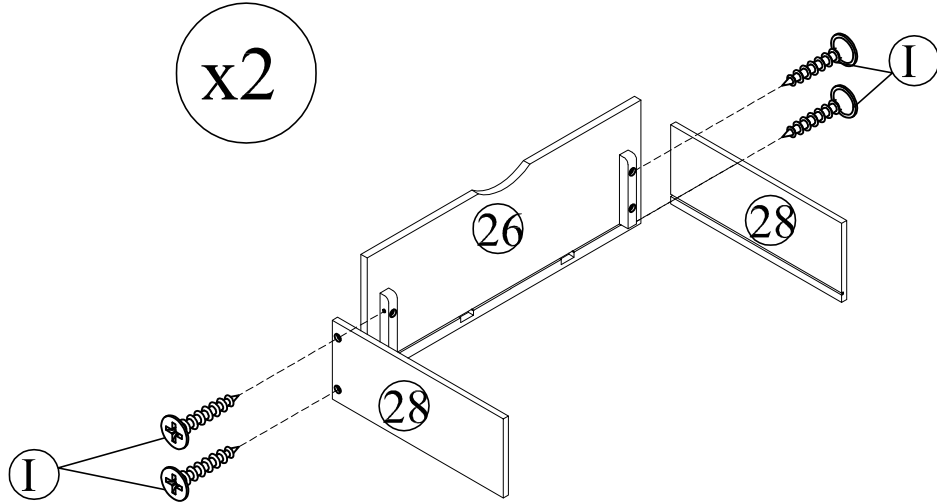


(J)		26
(R)		03



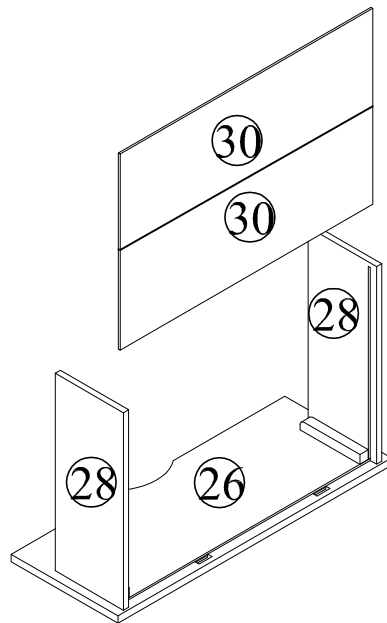
STEP 19:

I		8
---	---	---






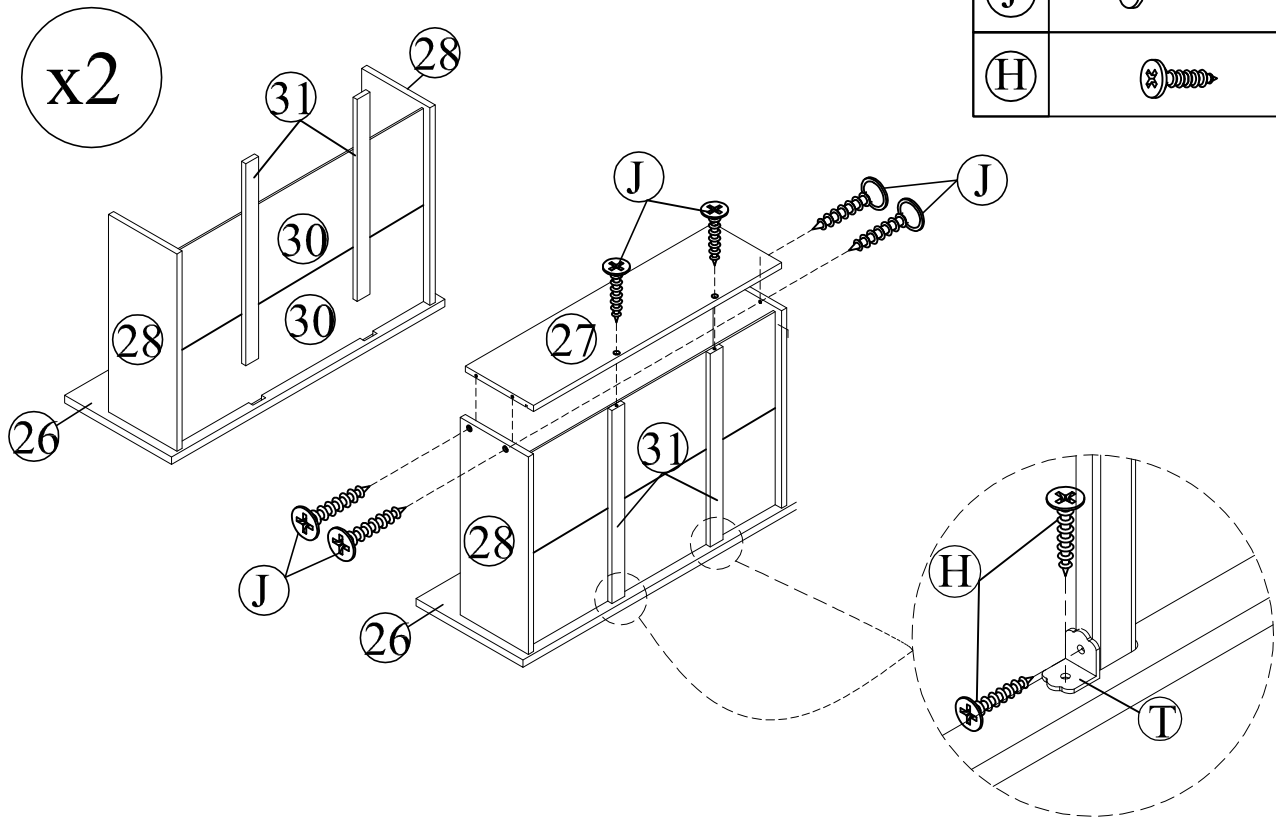
STEP 20:

x2

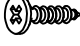



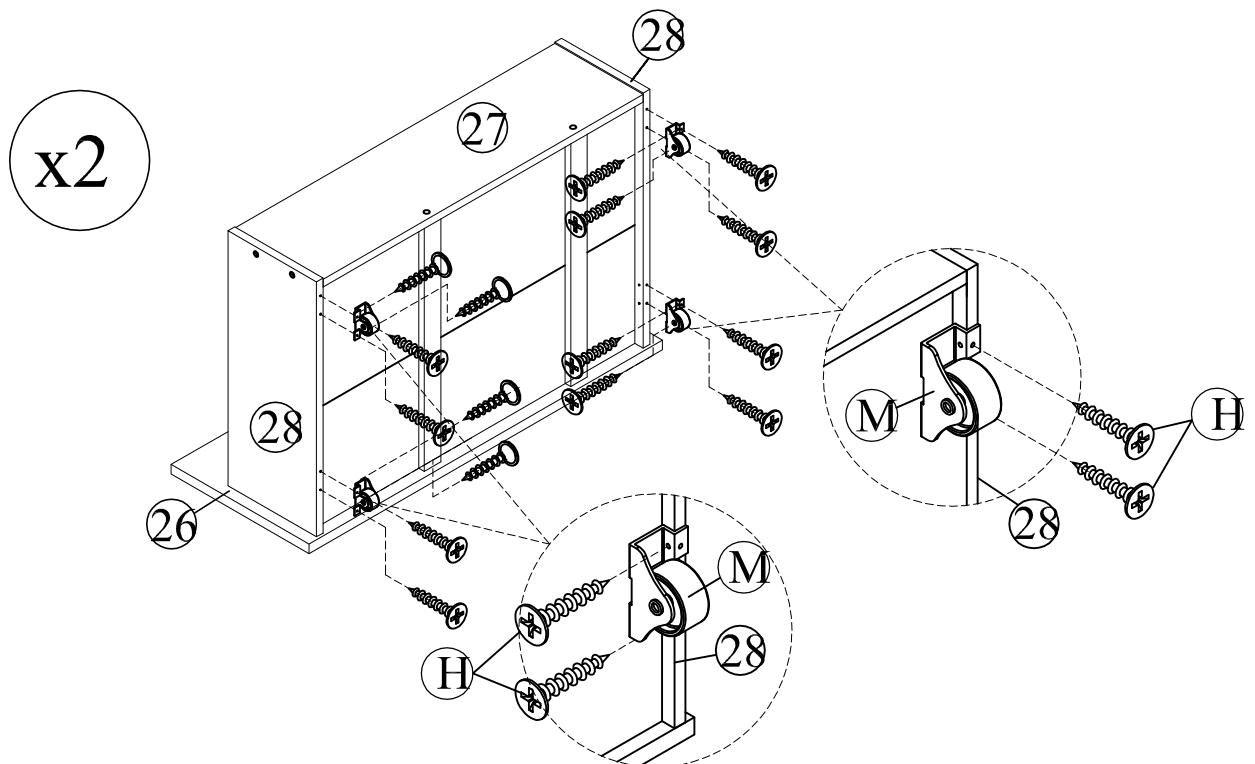
STEP 21:

(T)		04
(J)		12
(H)		08



STEP 22:

(H)		32
(M)		8



FINAL:

