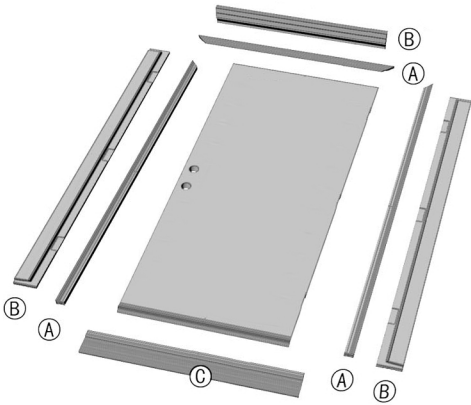
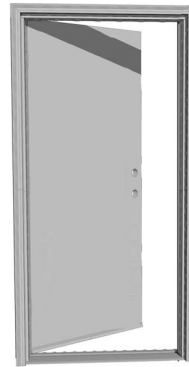


# Door Assembly Instructions



**BASIC PARTS&COMPONENTS**

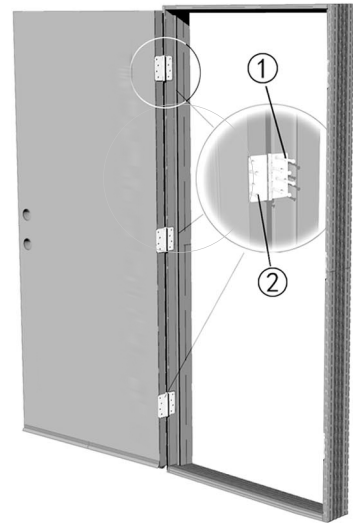
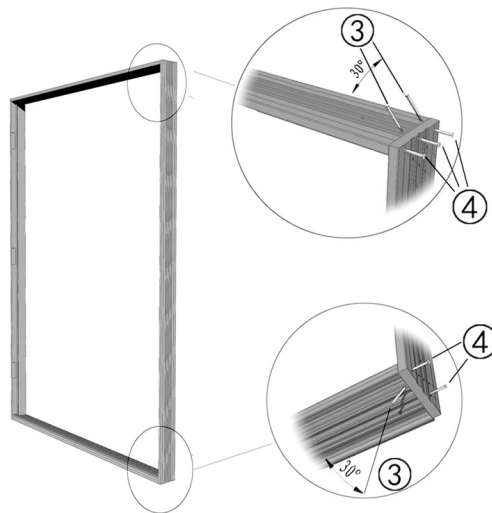


**LEFT HAND INSWING**

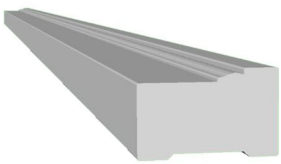


**RIGHT HAND INSWING**

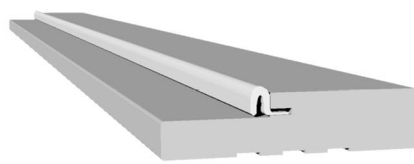
- A. Brick Mould**
- B. Door Jamb**
- C. Threshold**
- D. Hinges**
- E. Hinge Screws**
- F. Jamb Screws**



## ASSEMBLY PARTS



**A. Brick Molding x3**



**B. Door Jamb x3**



**C. Threshold x1**



**D. Hinge x3**



① x12  
ST5. 5\*19



② x12  
ST5. 5\*32



③ x6  
ST4. 8\*35



④ x10  
ST4. 8\*50

**E. Hinge Screws**

**F. Jamb Screws**

### Steps:

1. Assemble Frame:  
Screw door Jamb head and legs together.  
Screw Threshold to Jamb legs.
2. Screw Hinges to door.
3. Install door Jamb in opening according to installers chosen method.
4. Screw Hinges and door slab to door Jamb.  
Adjust doors to close properly.
5. Install locksets per customer choosing.
6. Install Brick Mould.
7. Install Casing.