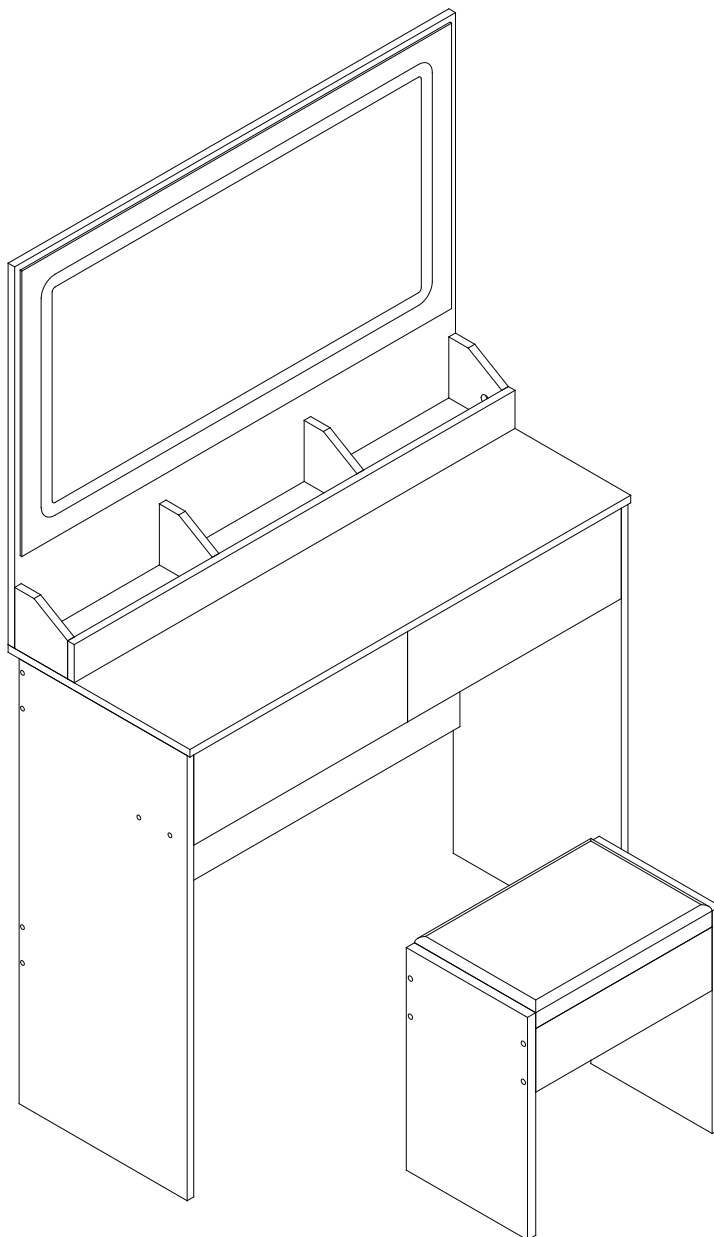
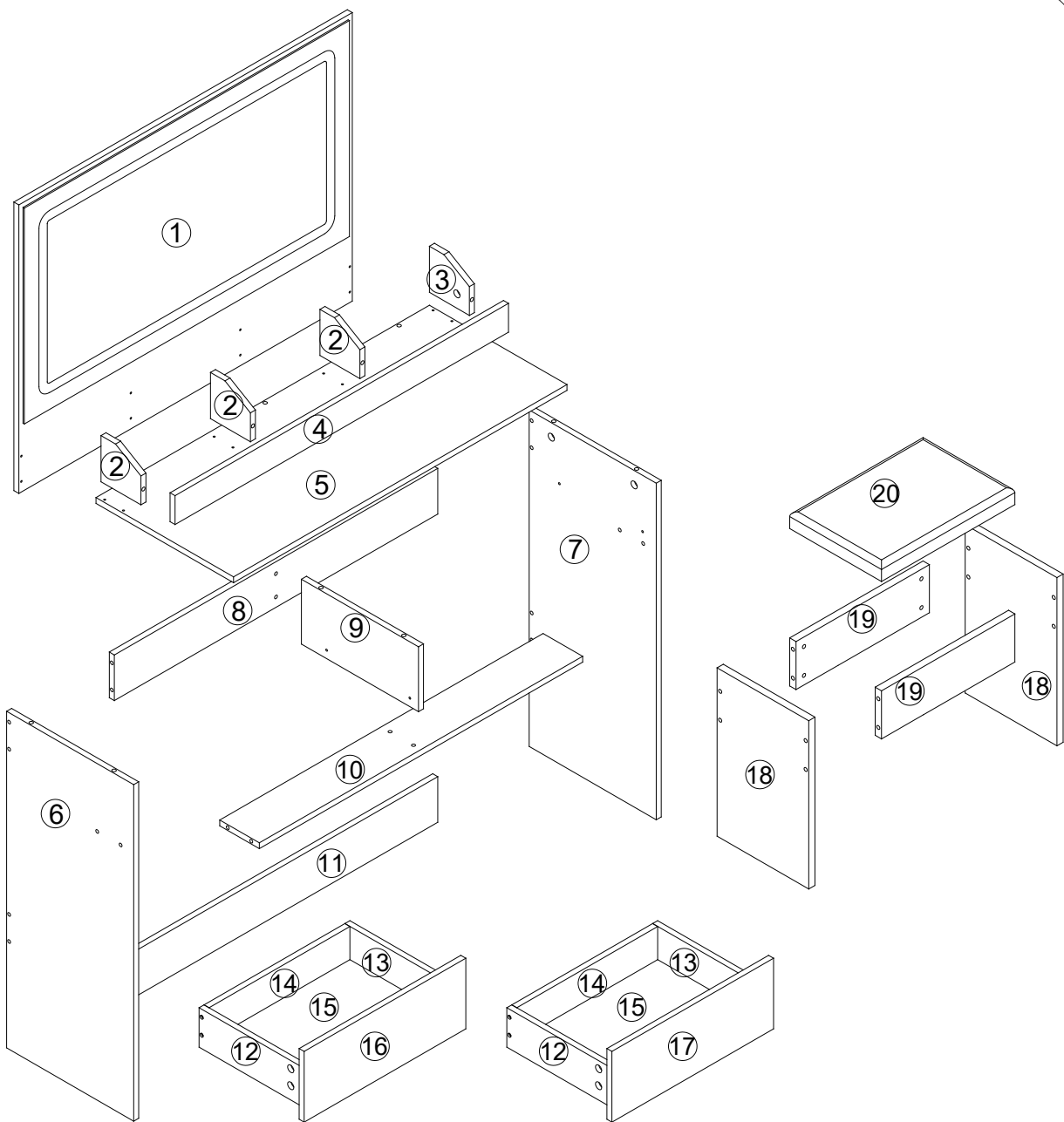


INSTALLATION MANUAL

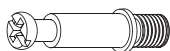
SK-W-L, SK-B-L





1 - xl	6 - xl	11 - xl	16 - xl
2 - x3	7 - xl	12 - x2	17 - xl
3 - xl	8 - xl	13 - x2	18 - x2
4 - xl	9 - xl	14 - x2	19 - x2
5 - xl	10 - xl	15 - x2	20 - xl

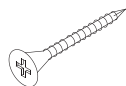
HARDWARE



A	SCREW & PLASTIC LOCK	x21
---	----------------------	-----

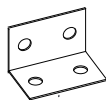


B	SCREW & METAL LOCK	x21
---	--------------------	-----



3.5x35

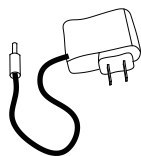
C	SCREW	x27
---	-------	-----



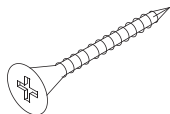
D	L-PLATE	x2
---	---------	----



E	SCREW	x24
---	-------	-----



F	POWER PLUG	x1
---	------------	----

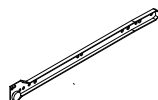


5x45

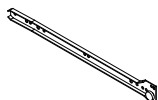
J	SCREW	x24
---	-------	-----



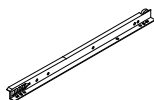
K	SCREW	x24
---	-------	-----



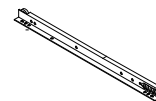
CL



CR



DL

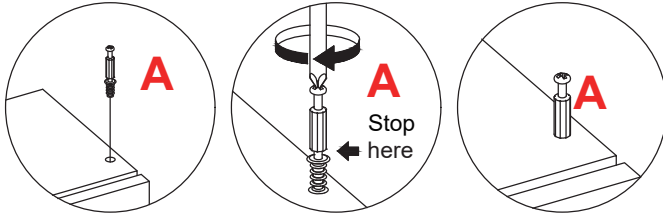


DR

	DRAWER TRACK	x2
--	--------------	----

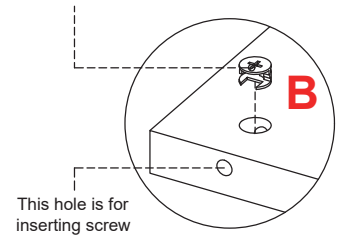
1. Screw installation method

When the screw is installed, please keep it in line with the board, and do not tighten it too tightly

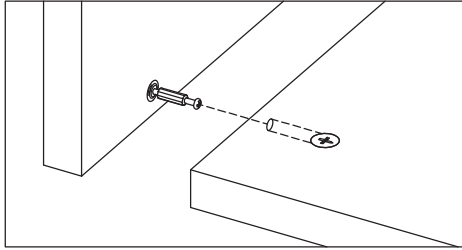


2. Check the Nut direction

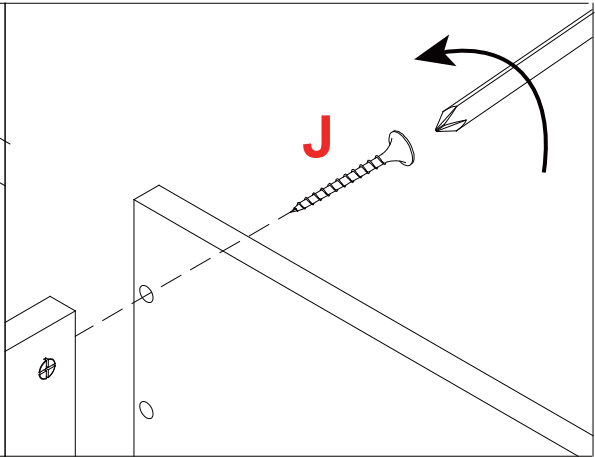
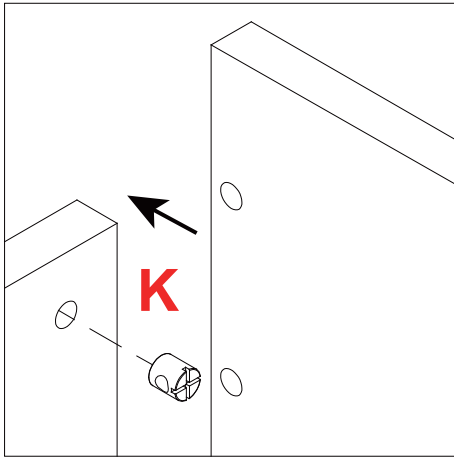
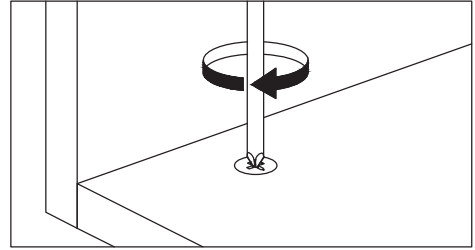
This direction of the marked nut is consistent with the direction in which the screw is inserted



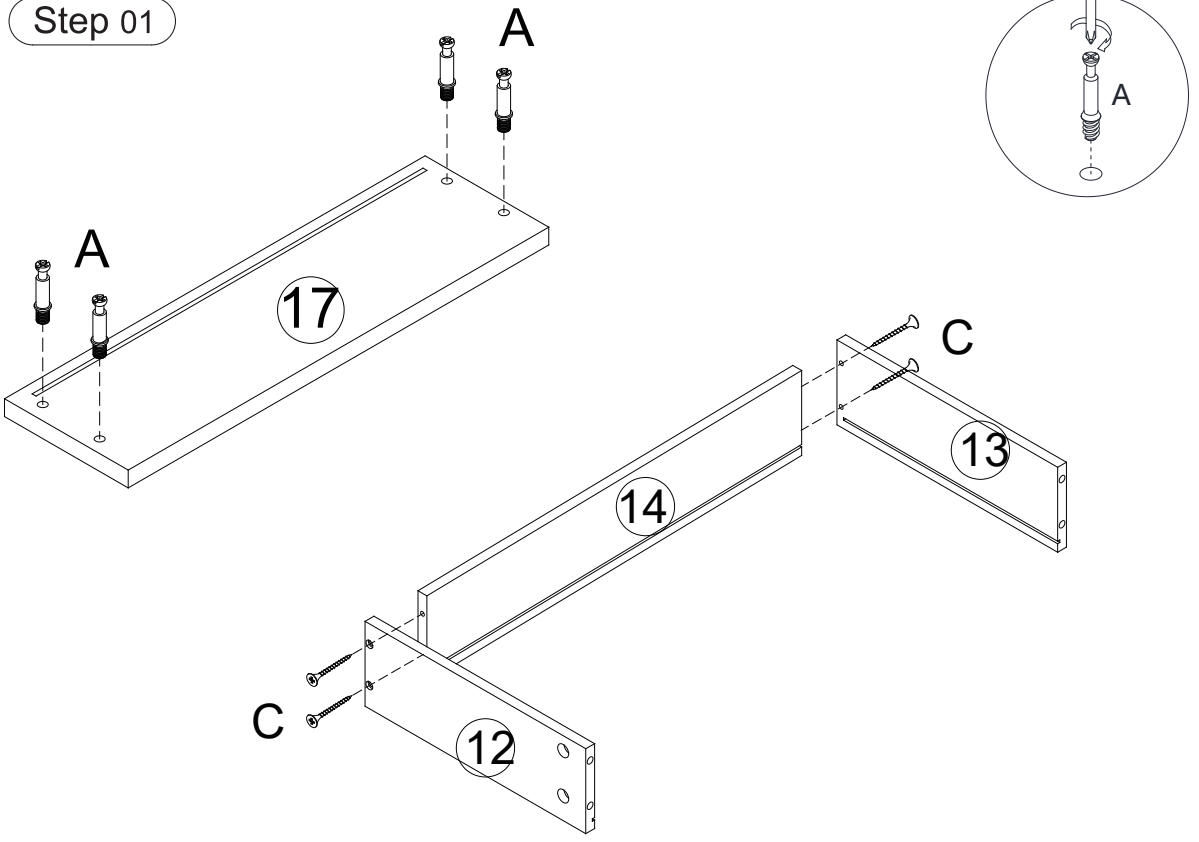
3. Installation on the board with fixing screws



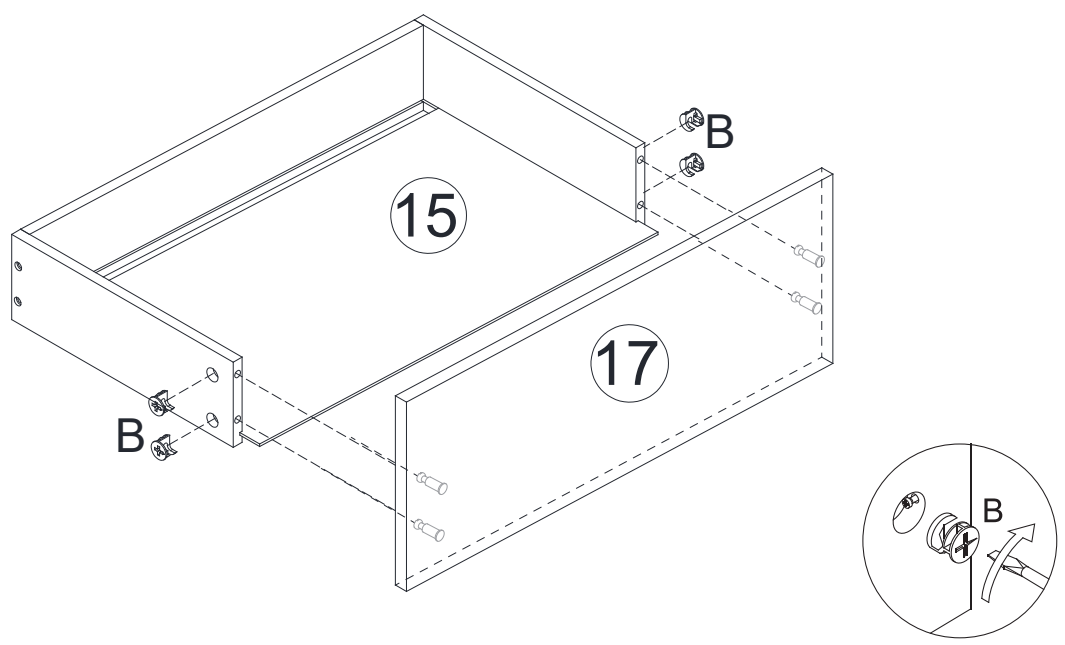
3. Rotate slowly until it stops



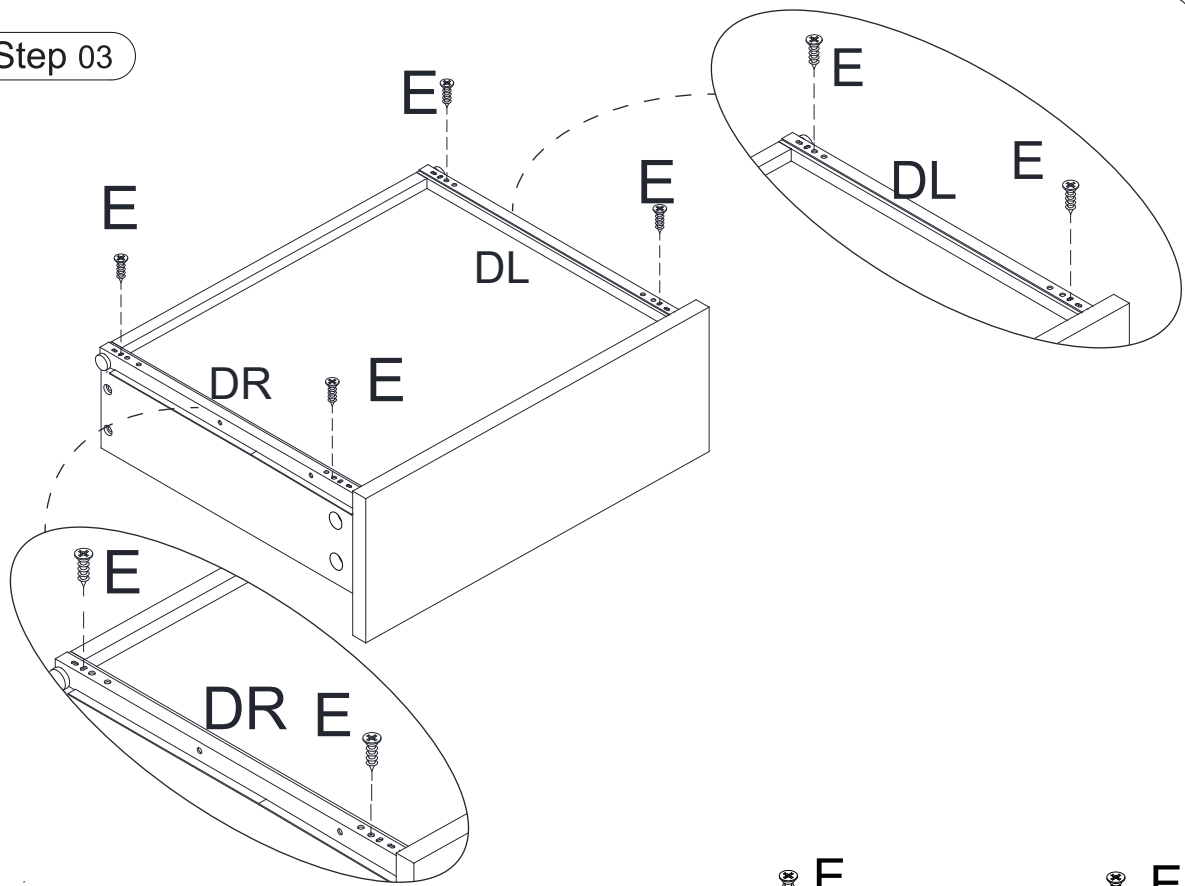
Step 01



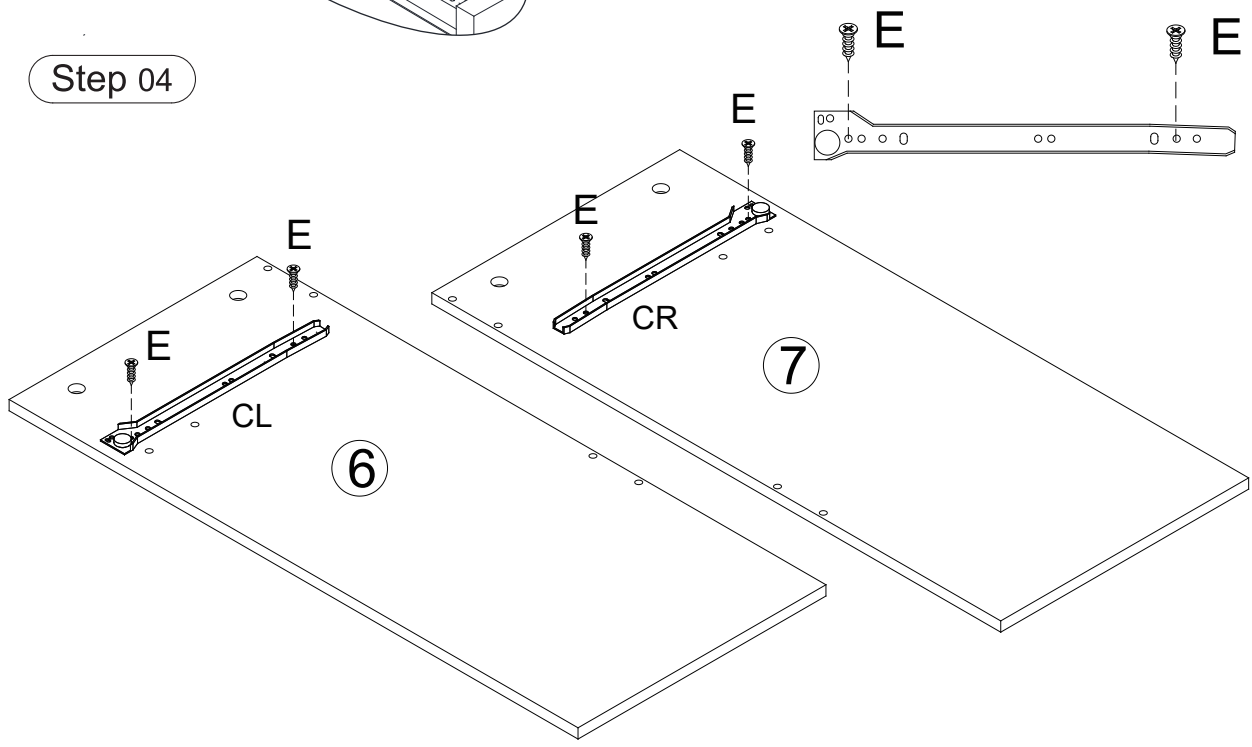
Step 02



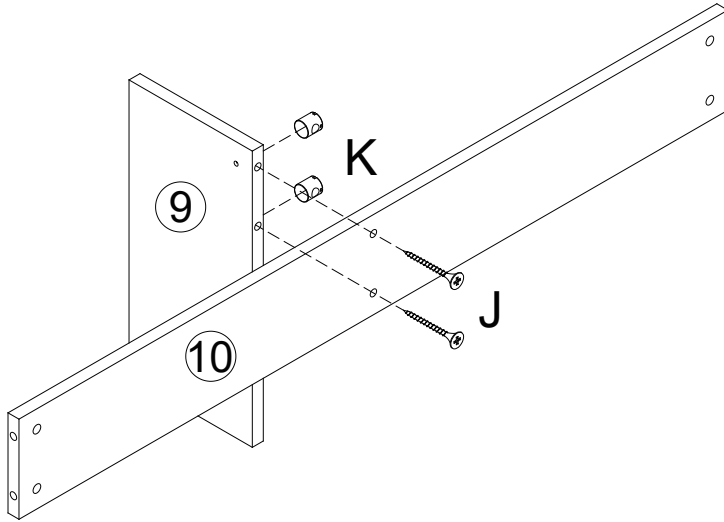
Step 03



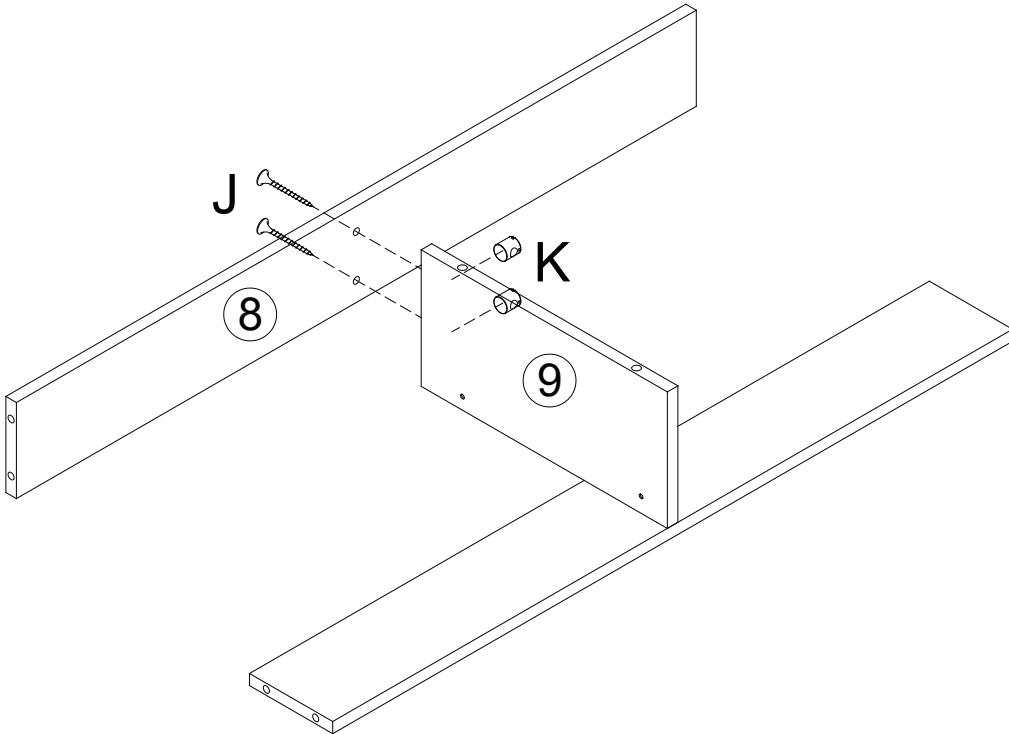
Step 04



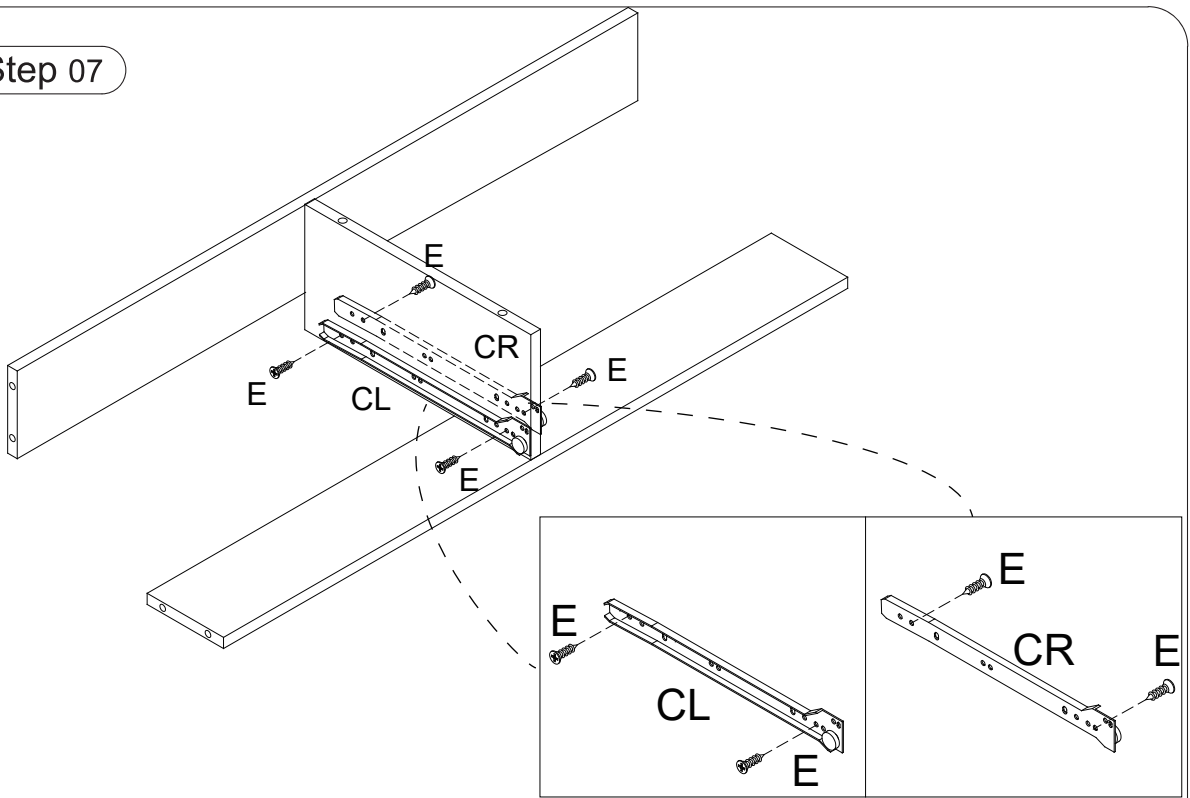
Step 05



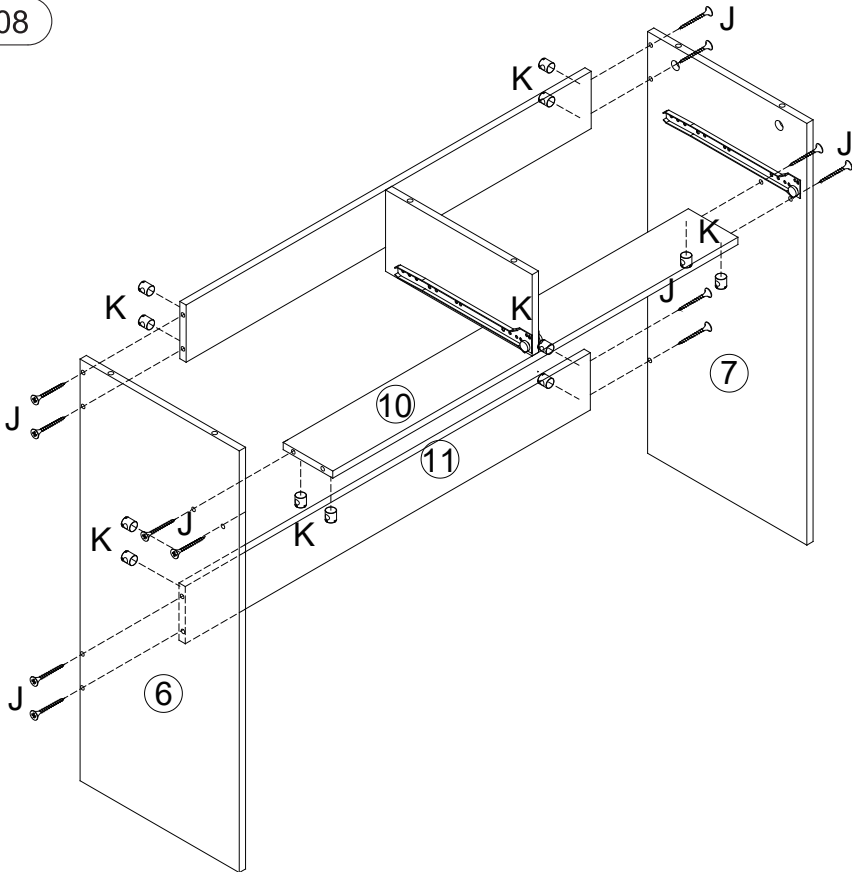
Step 06



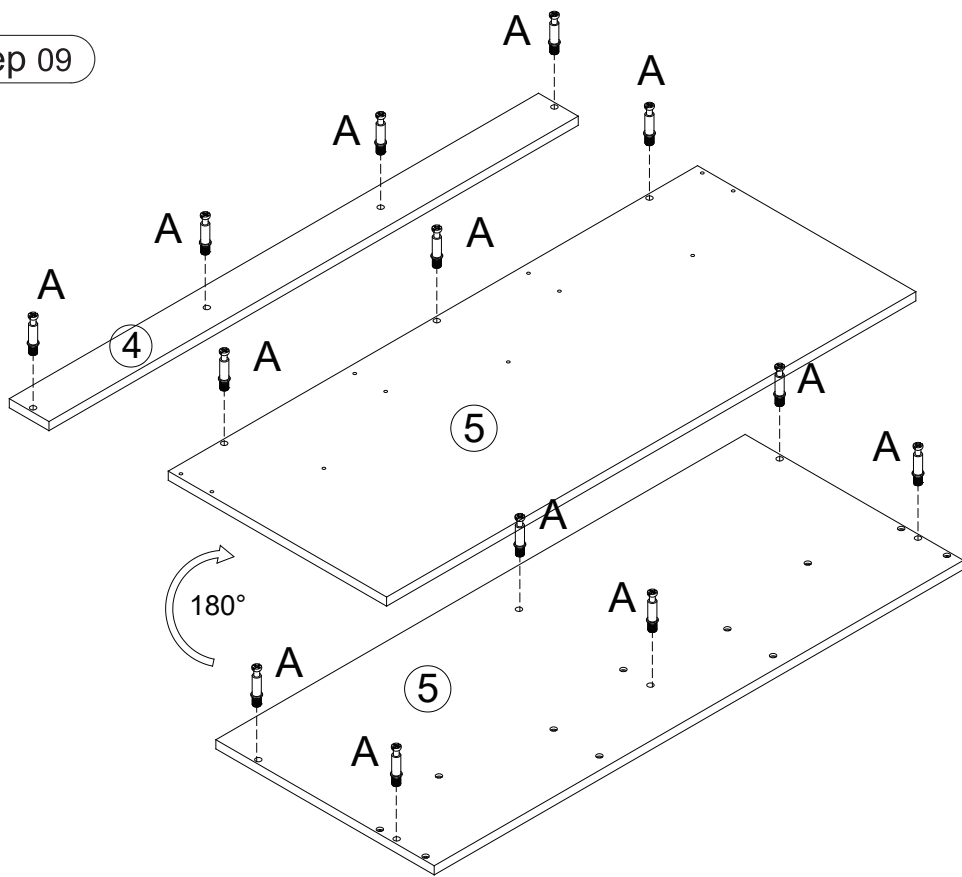
Step 07



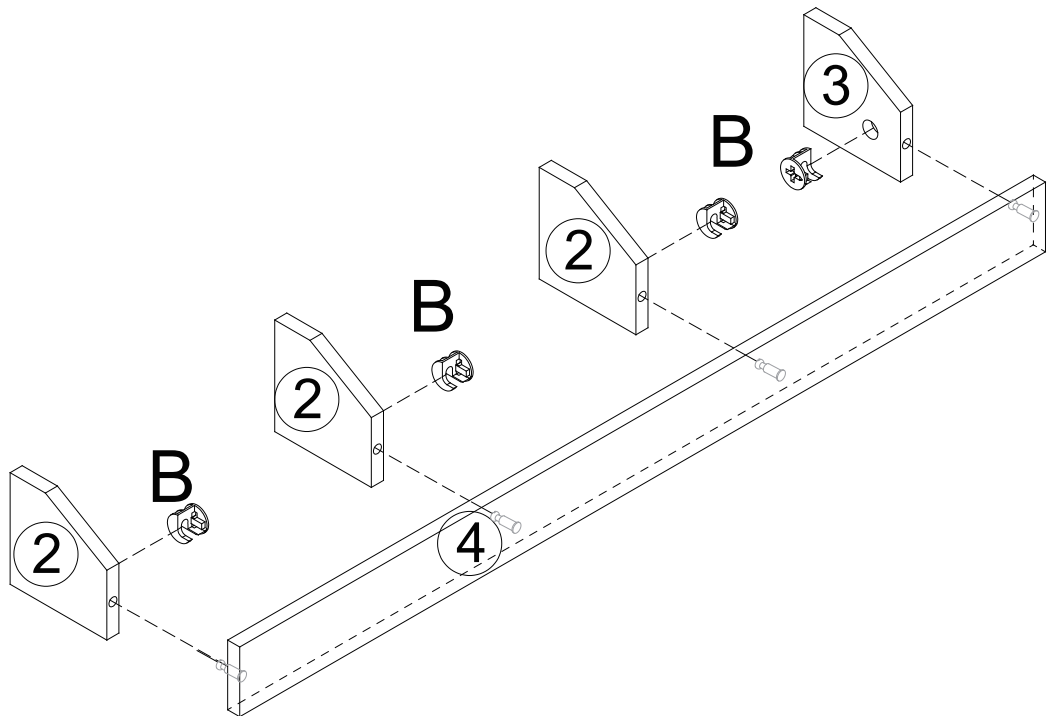
Step 08



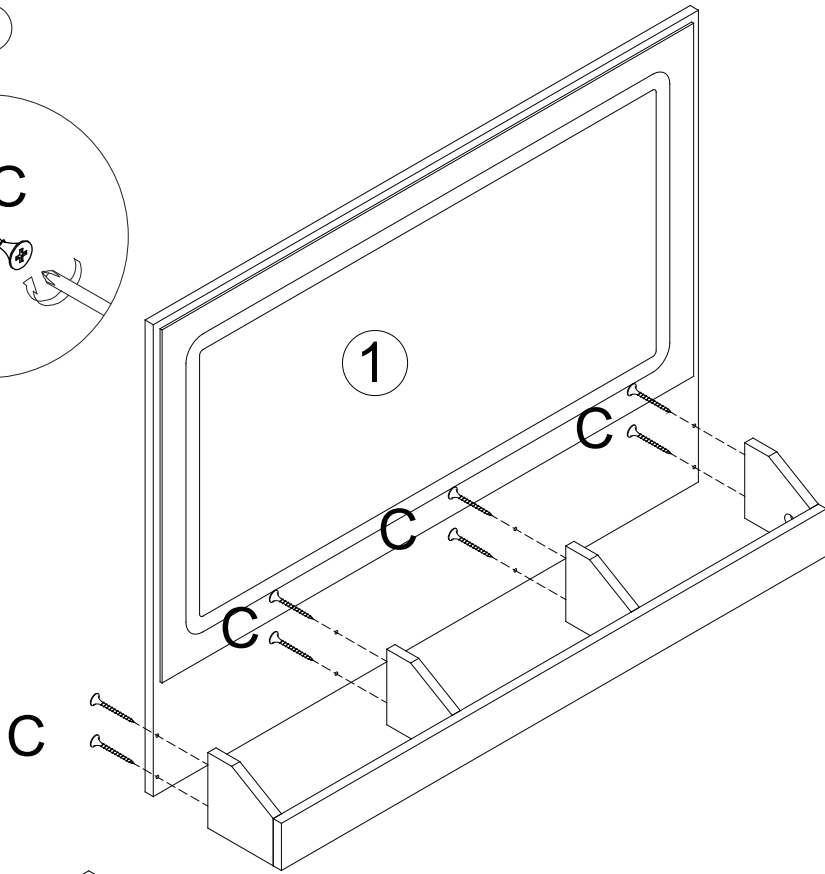
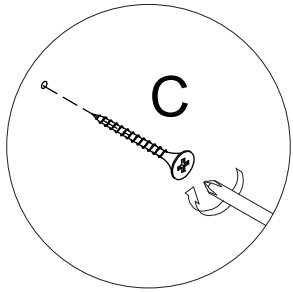
Step 09



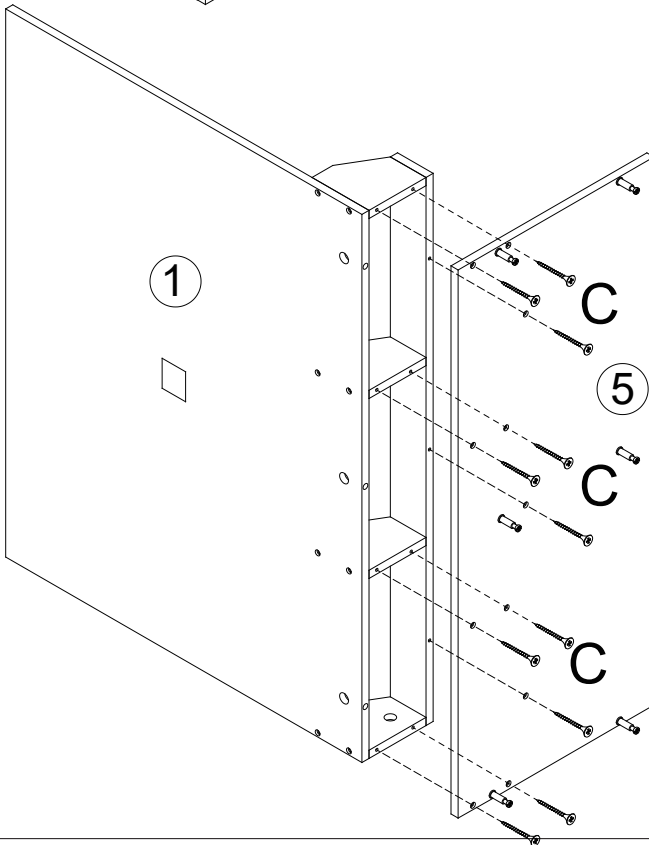
Step 10



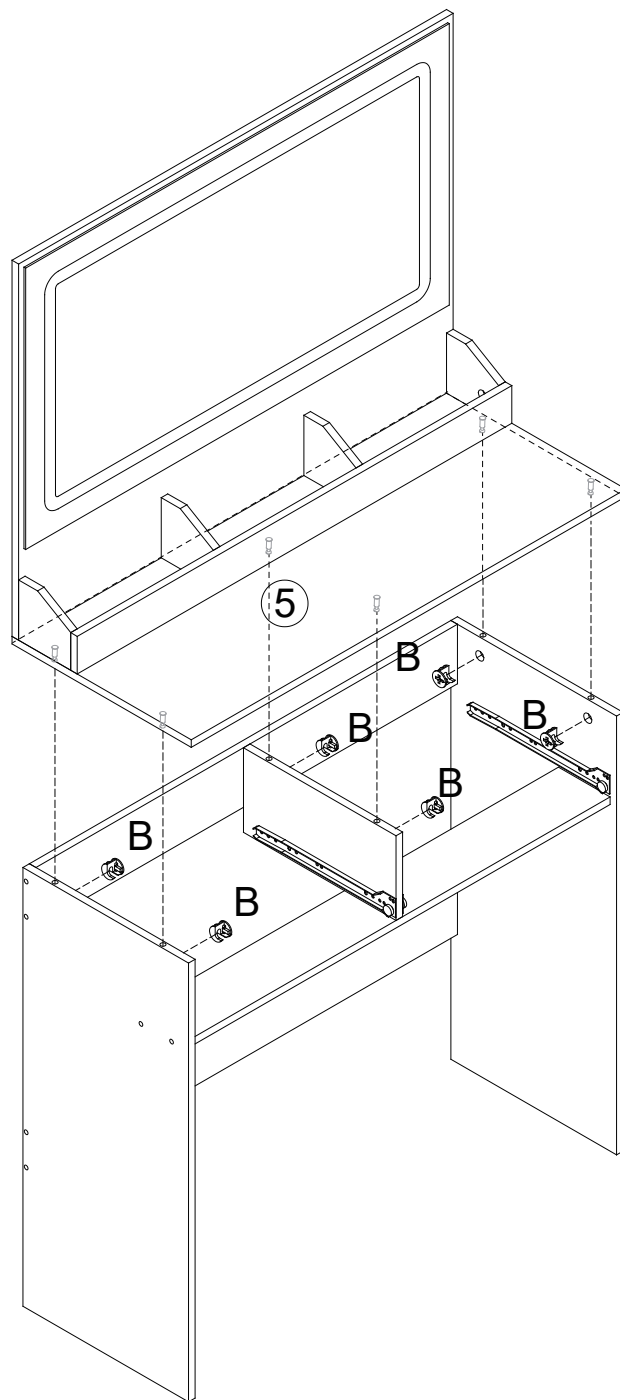
Step 11



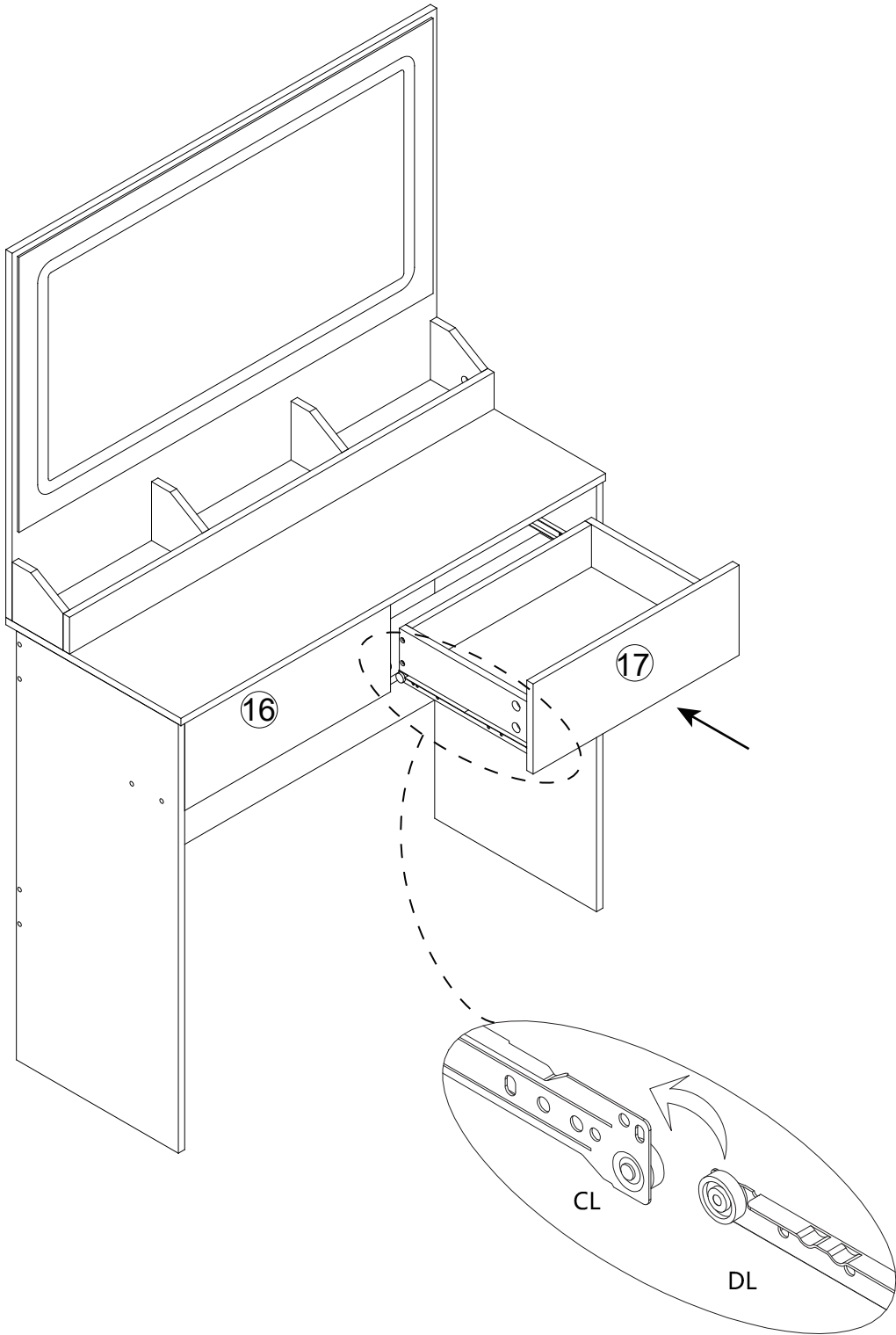
Step 12



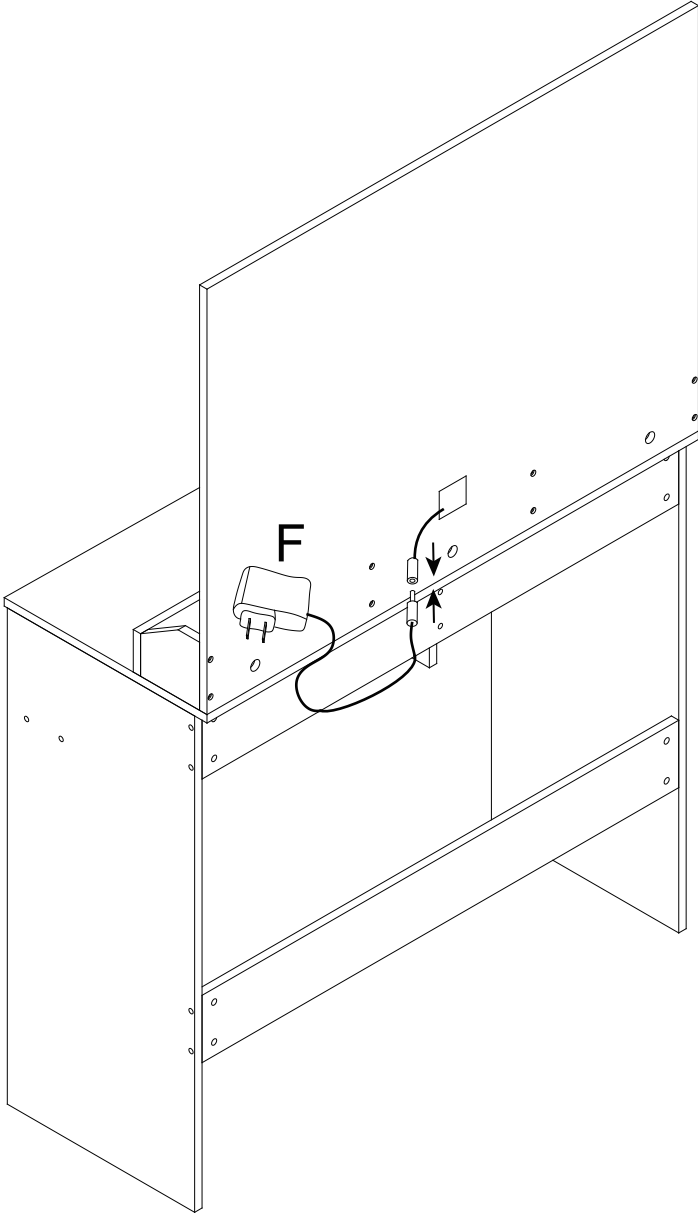
Step 13



Step 14



Step 15



Step 16

