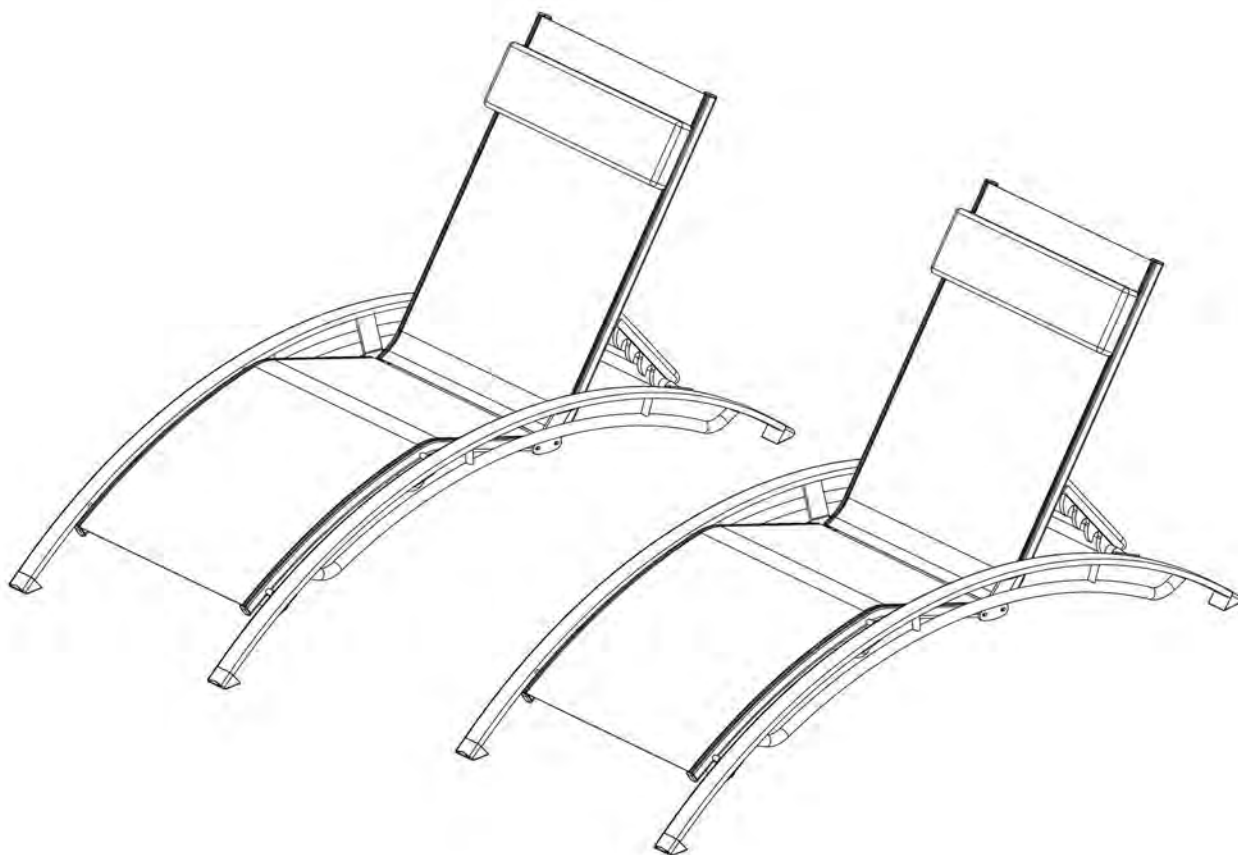


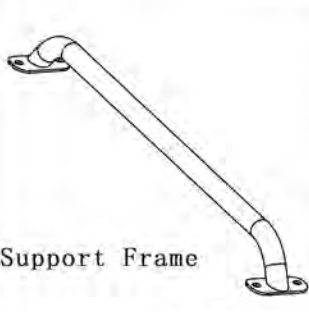

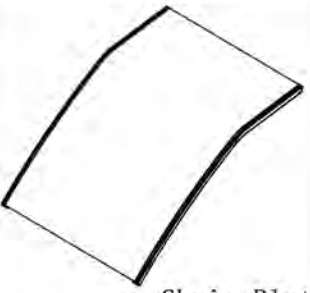
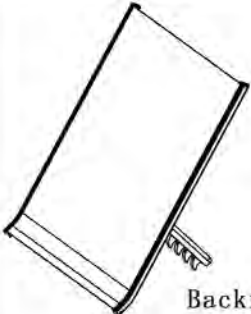
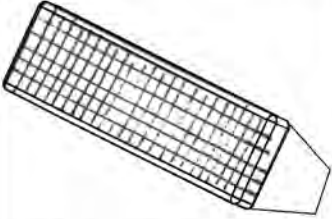
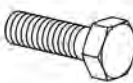

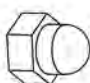






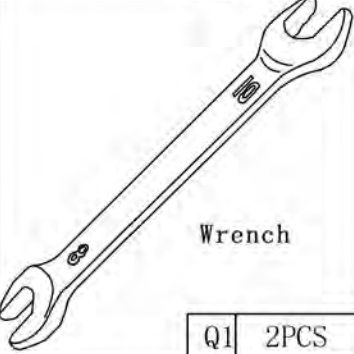



Patio Chaise Lounge Chair Assembly Manual

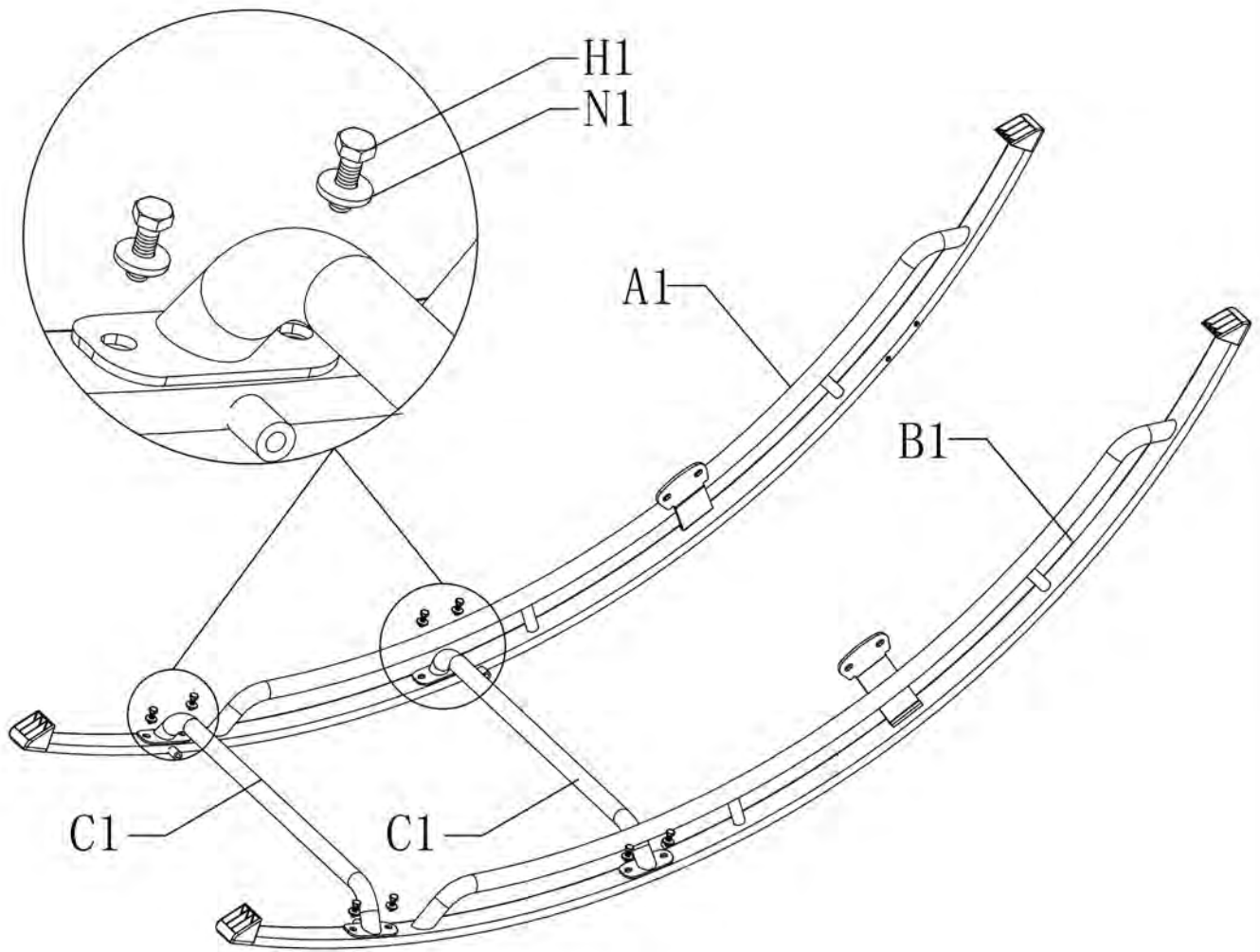


- Prior to assembly, please confirm all of the parts listed included.
- Friendly Tip: Please don't completely tighten the screws during assembly. After all the screws are assembled in place, tighten them together.

 <p>Left Armrest Foot Tube</p> <p>A1 2PCS</p>	 <p>Right Armrest Foot Tube</p> <p>B1 2PCS</p>	 <p>Support Frame</p> <p>C1 4PCS</p>	 <p>Support Frame</p> <p>D1 2PCS</p>
 <p>Chair Plate</p> <p>E1 2PCS</p>	 <p>Backrest</p> <p>F1 2PCS</p>	 <p>Headrest Cushion</p> <p>G1 2PCS</p>	 <p>Bolts</p> <p>H1 M6*16 24PCS</p>
 <p>Bolts</p> <p>I1 M6*35 16PCS</p>	 <p>Plastic End Caps</p> <p>J1 8PCS</p>	 <p>Plastic End Caps</p> <p>K1 40PCS</p>	 <p>Plastic Washers</p> <p>L1 8PCS</p>
 <p>Metal Flat Washers (Large Size)</p> <p>M1 12PCS</p>	 <p>Metal Flat Washers (Small Size)</p> <p>N1 28PCS</p>	 <p>Spring Washers</p> <p>O1 8PCS</p>	 <p>Hex Nuts</p> <p>P1 8PCS</p>
 <p>Wrench</p> <p>Q1 2PCS</p>	<p>This is the instruction of 2 Lounge Chairs.</p> <p> Friendly Tip: PLEASE DON' T COMPLETELY TIGHTEN THE SCREWS DURING ASSEMBLY. After all the screws are assembled in place, tighten them together.</p>		

Step 1:

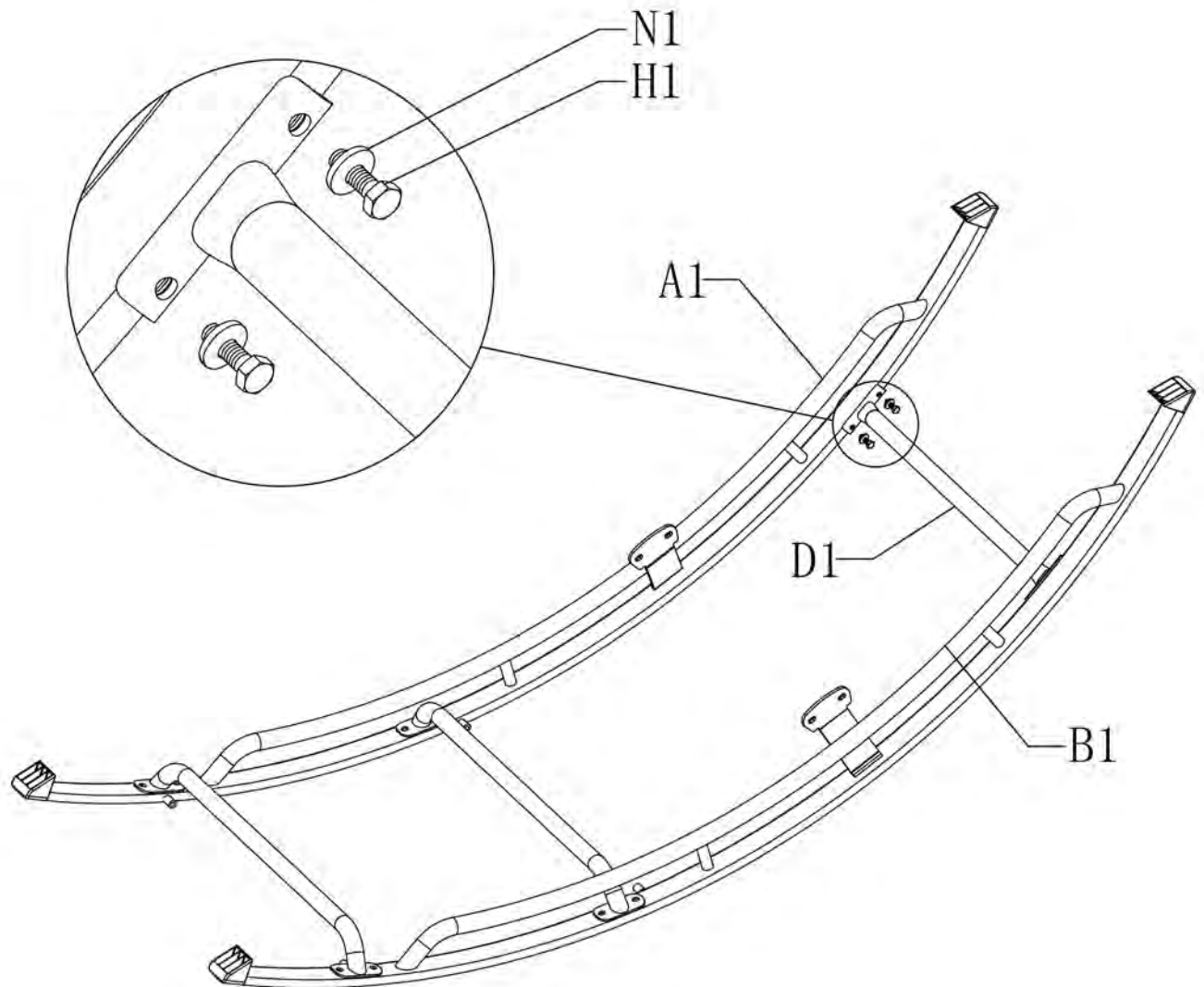
Connect part C1 and part A1 using screws H1, N1 as shown in diagram, then connect part C1 and part B1 in the same way.



Friendly Tip: Please don't completely tighten the screws during assembly. After all the screws are assembled in place, tighten them together.

Step 2:

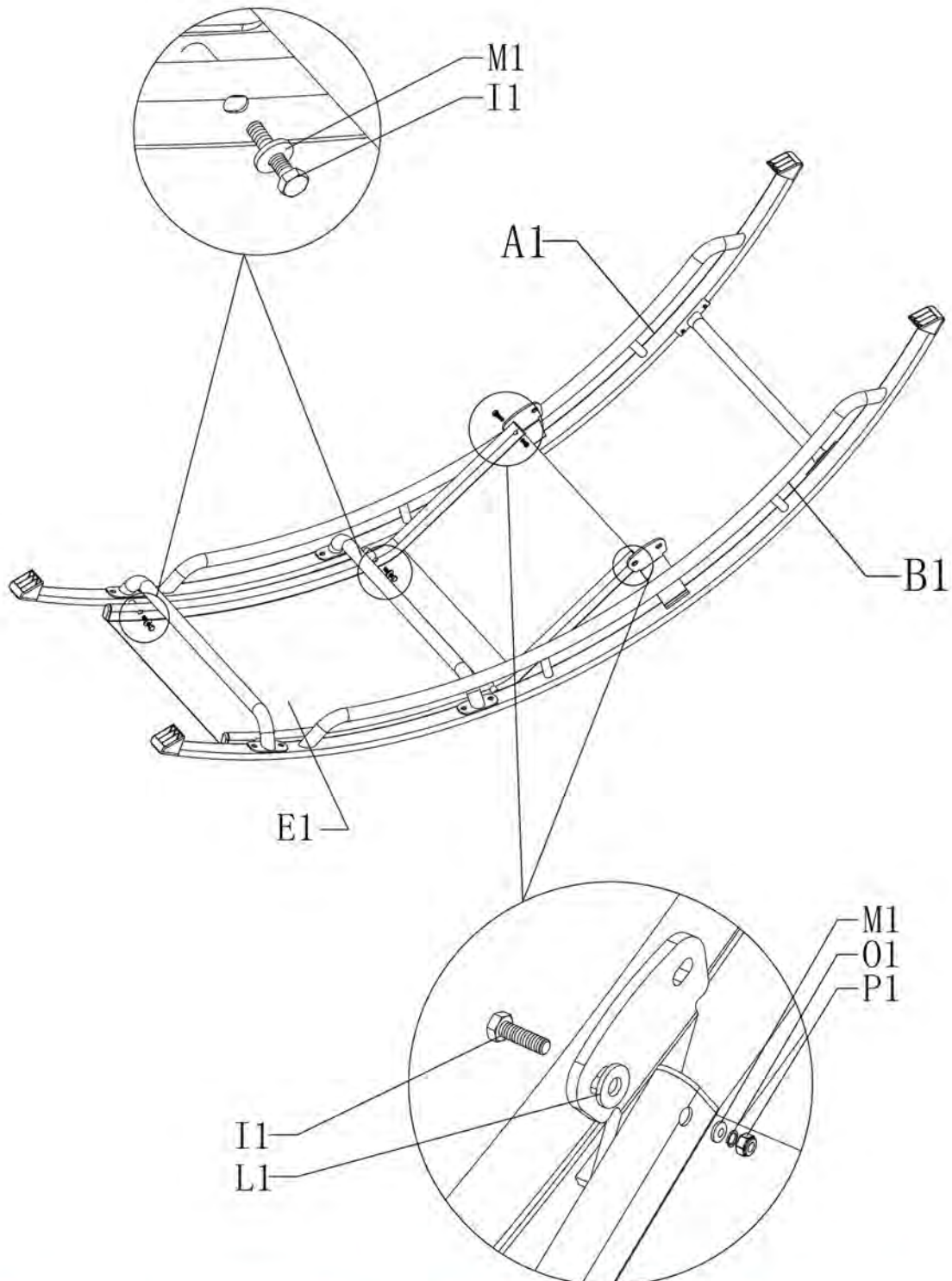
Connect part D1 and part A1 using screws H1, N1 as shown in diagram, then connect part D1 and part B1 in the same way.



Friendly Tip: Please don't completely tighten the screws during assembly. After all the screws are assembled in place, tighten them together.

Step 3:

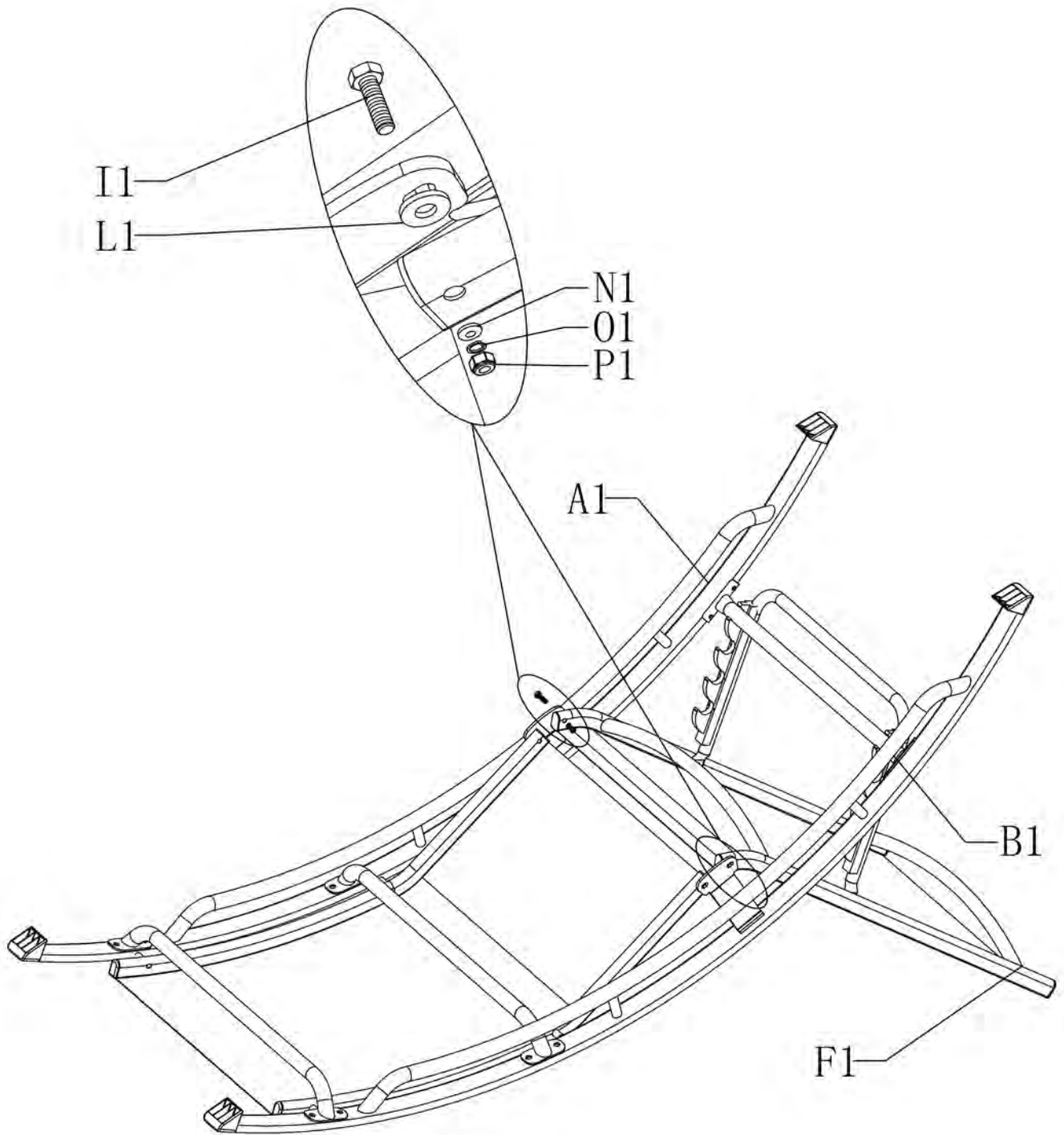
Install part E1 between part A1 and B1 with parts M1, I1. Then put parts I1, L1 & M1, O1, P1 as shown in diagram to reinforce part E1.



Friendly Tip: Please don't completely tighten the screws during assembly. After all the screws are assembled in place, tighten them together.

Step 4:

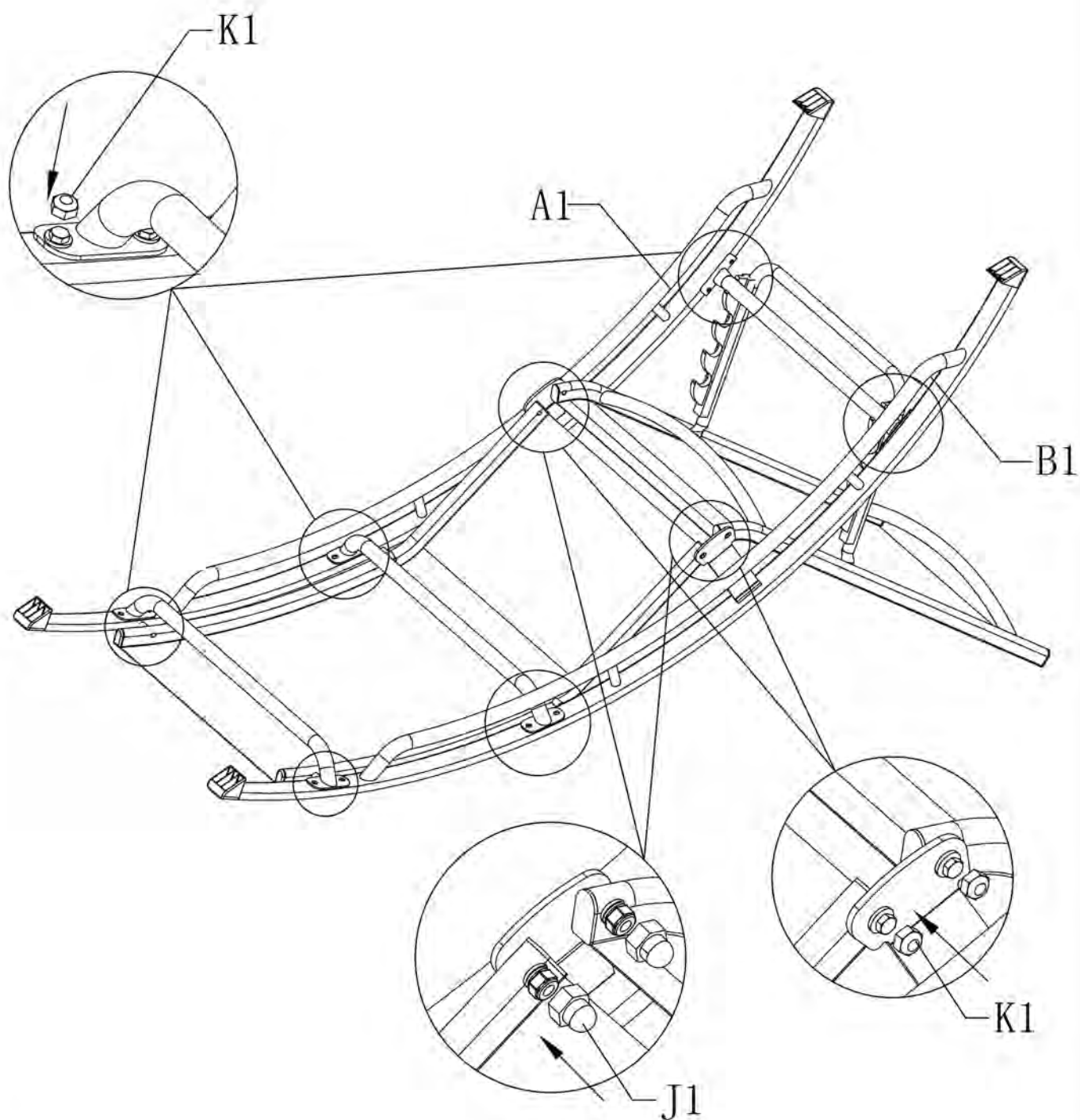
Install part F1 between part A1 and B1 with parts parts I1, L1 & N1, O1, P1, J1 as shown in diagram.



Friendly Tip: Please don't completely tighten the screws during assembly. After all the screws are assembled in place, tighten them together.

Step 5:

Check to make sure all screws are fixed tightly before use. Finally install K1 in the 3 locations as shown. Repeat for another lounge chair.



Step 6:

Install G1 on F1.

