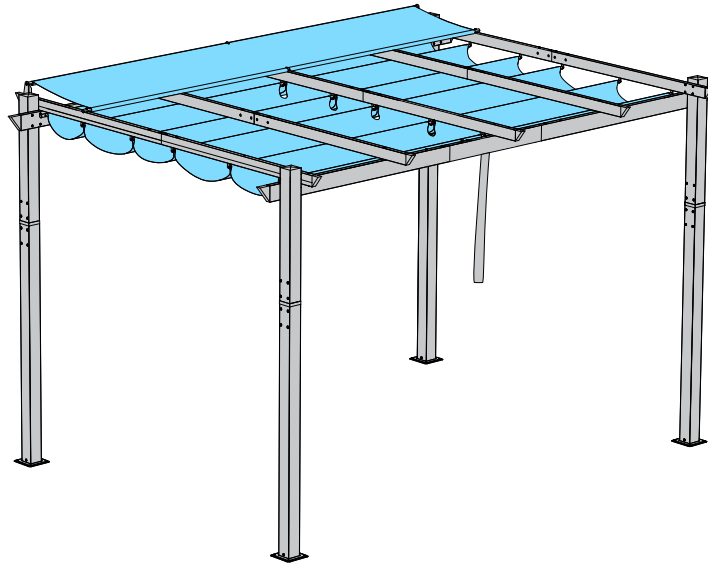


PURPLE LEAF



10'x13' PERGOLA



Assembly Manual

Different language instructions

If you want instructions in Spanish, French, German, please contact Purple Leaf customer service.

Wenn Sie Anweisungen auf Spanisch, Französisch oder Deutsch wünschen, wenden Sie sich bitte an den Purple Leaf Kundendienst.

Si desea instrucciones en español, francés o alemán, comuníquese con el servicio de atención al cliente de Purple Leaf.

Si vous voulez des instructions en français, espagnol et allemand, veuillez contacter le service à la clientèle de Purple Leaf.

Warnings and Cautions

Please retain this instruction for future usage and read carefully before assembly.

Make sure you have all the parts & hardware as the item list shows.

2 adults or more are recommended to install your pergola.

Do not discard any of the packaging until you have checked that you have all the parts and pack of fittings.

Check all bolts for tightness before use, and periodically check and tighten bolts to ensure your pergola works properly.

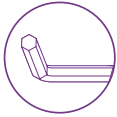
Some parts might have sharp edges/corners. Please follow basic safety precautions to reduce the risk of hurts.

It is essential to place the pergola on level ground and not less than 6 feet from any obstruction such as fences, garages, the house, overhanging branches, laundry lines or electrical wires.

CHOKE HAZARD

THIS ITEM CONTAINS SMALL PARTS WHICH CAN BE SWALLOWED BY CHILDREN.

PLEASE KEEP IT AWAY FROM CHILDREN UNDER 3 YEARS OLD AND PETS DURING INSTALLATION.



Use the hex keys in the box.



You may need 2 ladders.



You may need to use a drill for this step.



Do not tighten screws all the way for now.



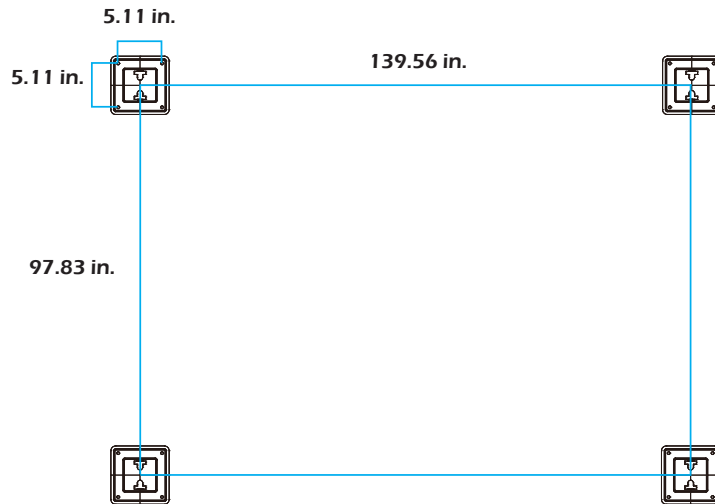
Two or more people are required at this stage.



Use something soft (like carpet) as a surface for setting up the product to avoid damage.

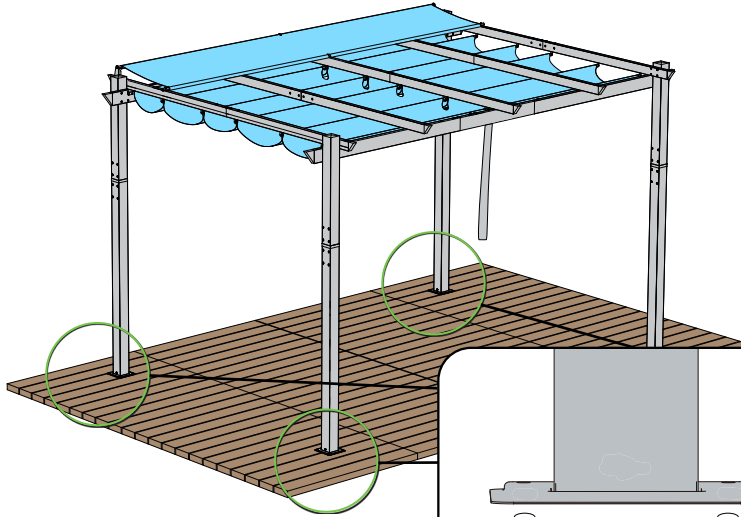
MOUNTING BLUEPRINT

Pergola 10'x13'

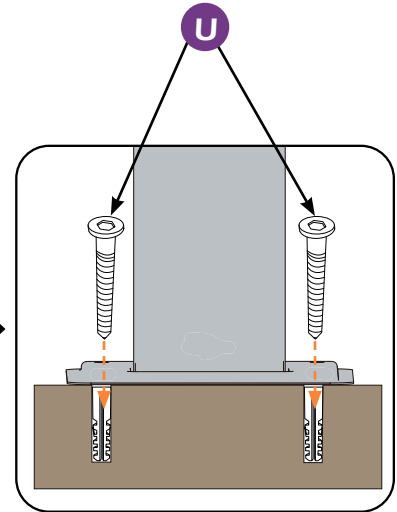
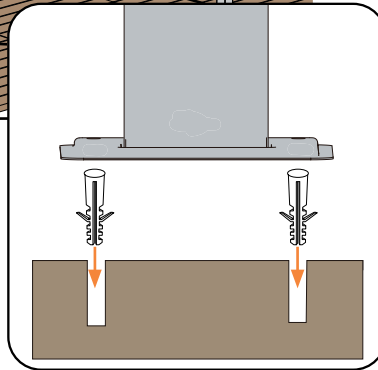
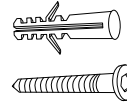


1

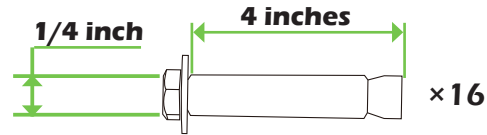
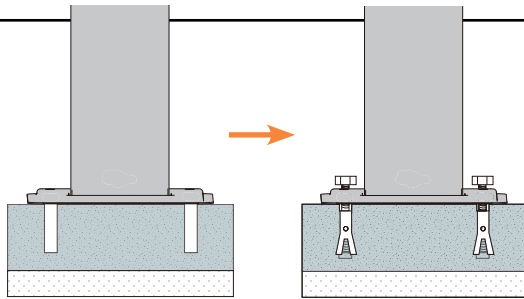
Anchor the pergola down after finishing installation.



U × 16
(included in package)



2



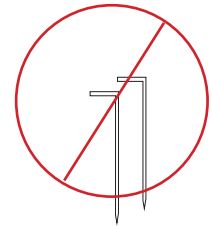
If the ground is concreted and the depth of it is over 3 inches, you can use 1/4 inch expansion bolts to mount the pergola.

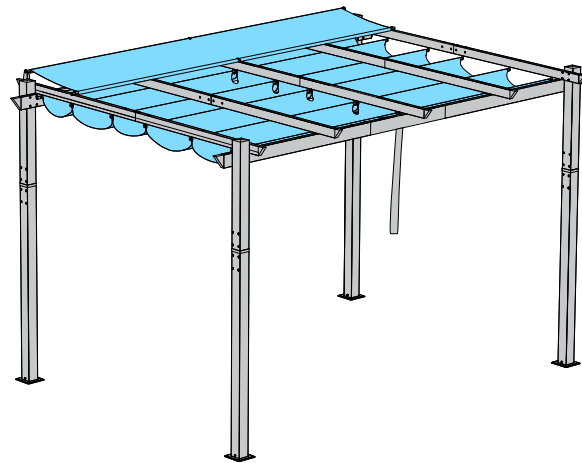
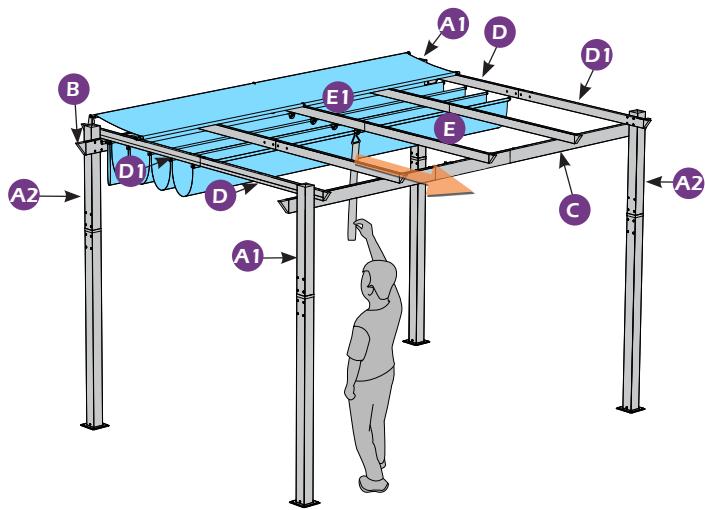
3



Or you can make a concrete footing for pergola, **15×15×15 inches** is recommended. Use expansion bolts to mount the pergola like ② shows.

IMPORTANT:
Anchor is not recommended.

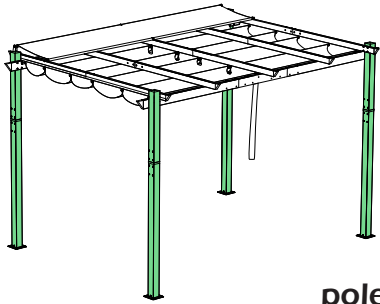




IMPORTANT: make sure A1&A2 are at right positions as the canopy operates in picture shows.

QUICK START

STEP 1



pole

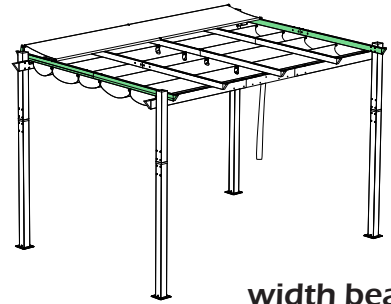
STEP 2

STEP 3



length beam

STEP 4



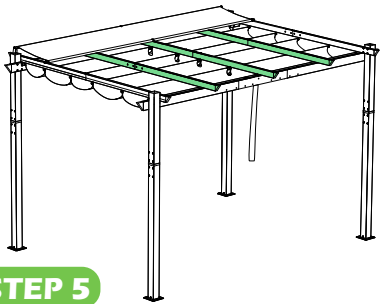
width beam

middle beam

canopy

belt

STEP 5

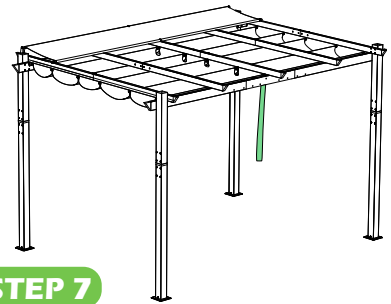


STEP 6



STEP 7

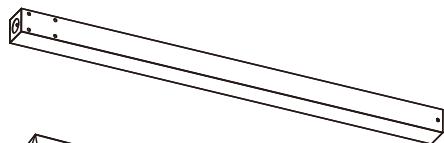
STEP 8



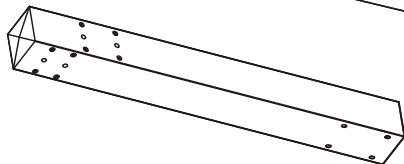
CHECK LIST



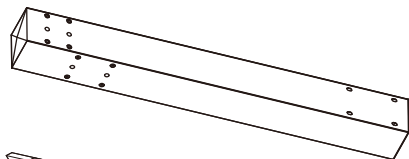
A × 4



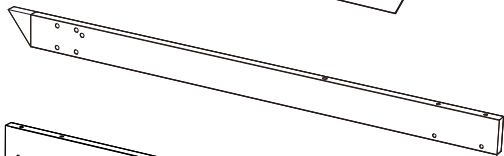
A1 × 2



A2 × 2



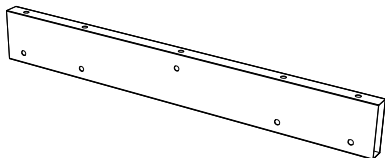
B × 1



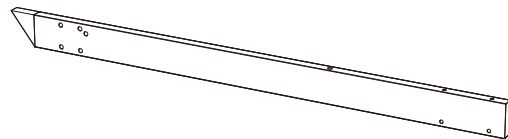
B1 × 1



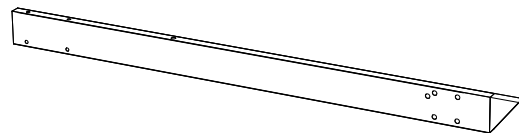
B2 × 1



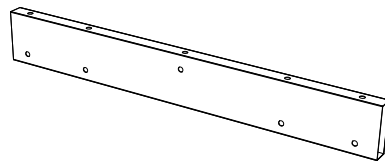
C × 1



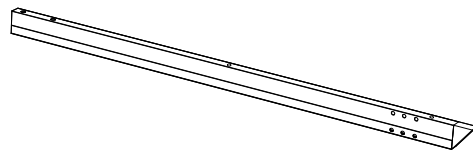
C1 × 1



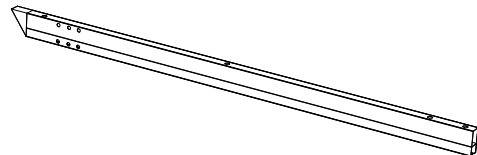
C2 × 1



D × 2

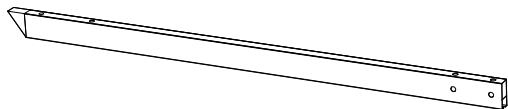


D1 × 2

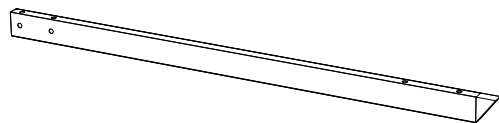




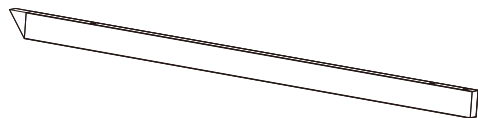
E × 1



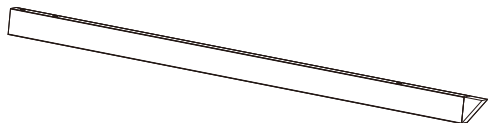
E1 × 1



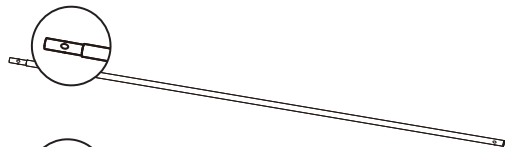
F × 2



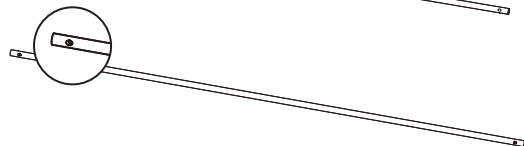
F1 × 2



G × 2



G1 × 2



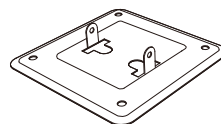
H × 6



H1 × 6



I × 4



W × 1



W1 × 1



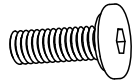
W2 × 1





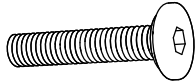
J × 159+5

M6×16



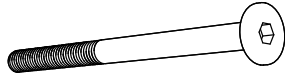
K × 6+1

M6×30



L × 6+1

M6×85

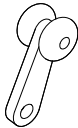


M × 32+2

M6×15



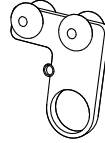
N × 10



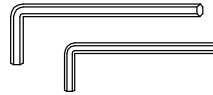
O × 4



P × 1



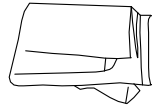
Q × 1



R × 2



S × 1



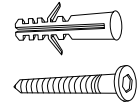
S2 × 1



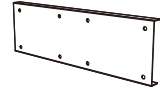
T × 1



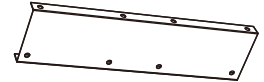
U × 16+2



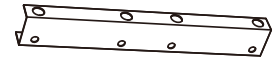
V × 8



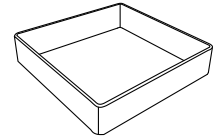
V1 × 4



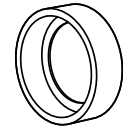
V2 × 5



X × 4



Y × 163+7

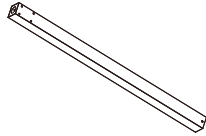


Z × 32

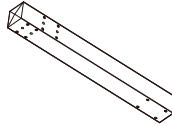




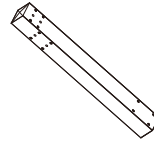
A × 4



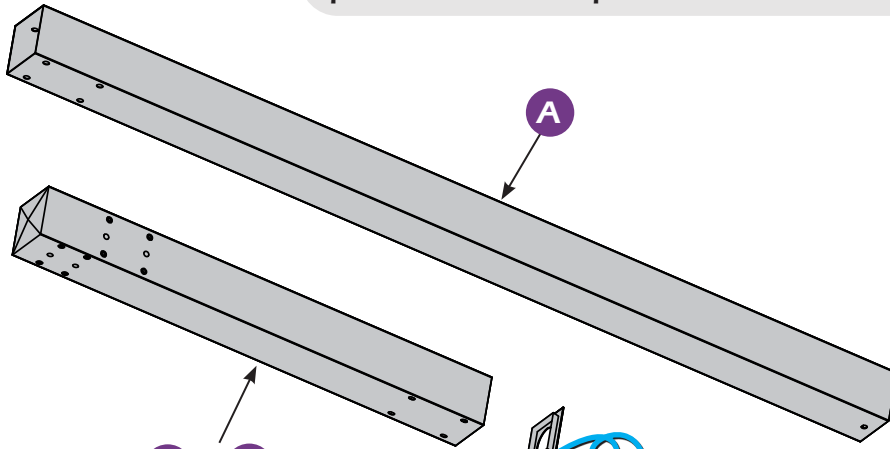
A1 × 2



A2 × 2



Remove protective material from poles as the pictures below shows.



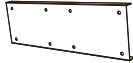
STEP 1



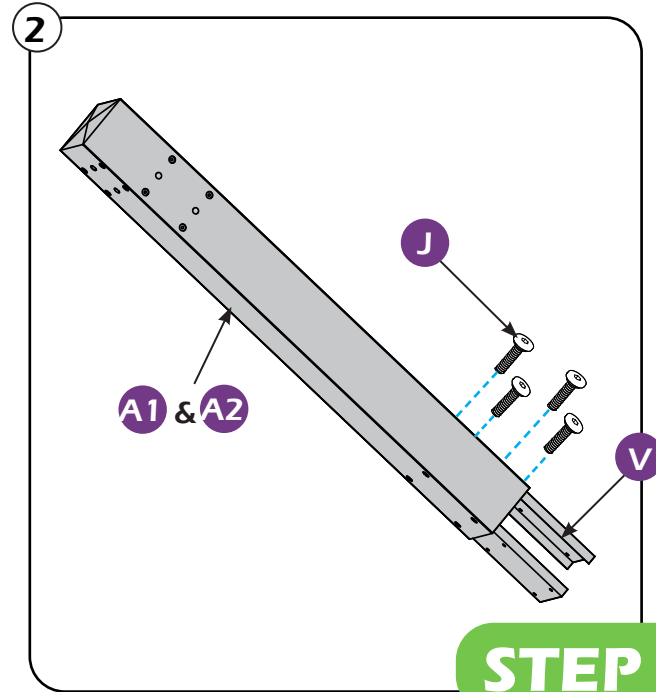
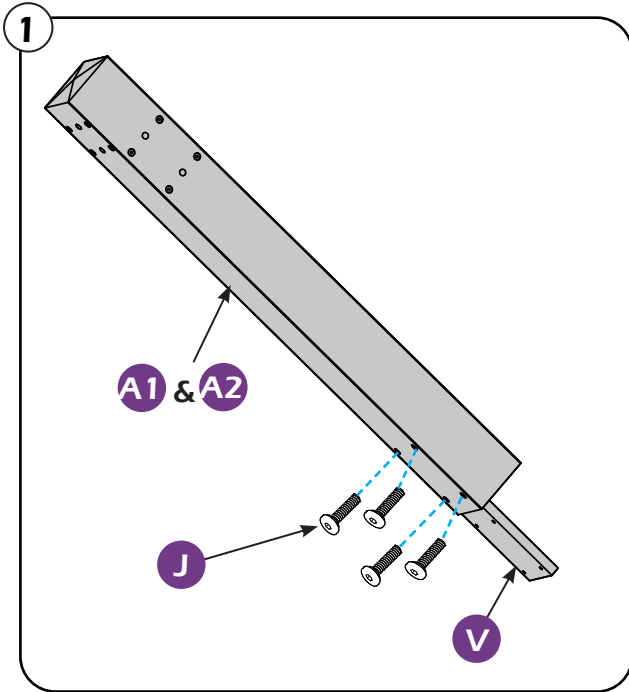
J × 64



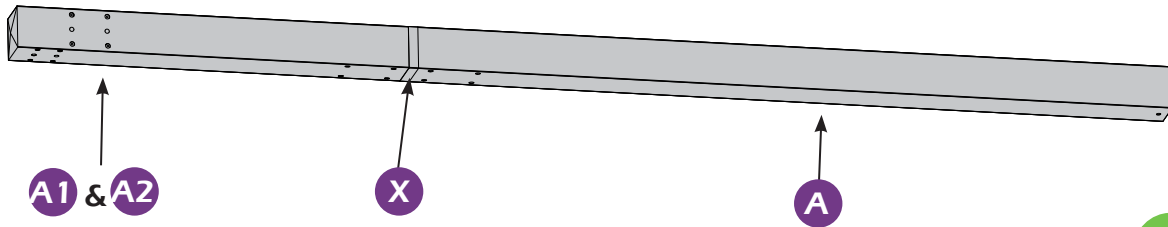
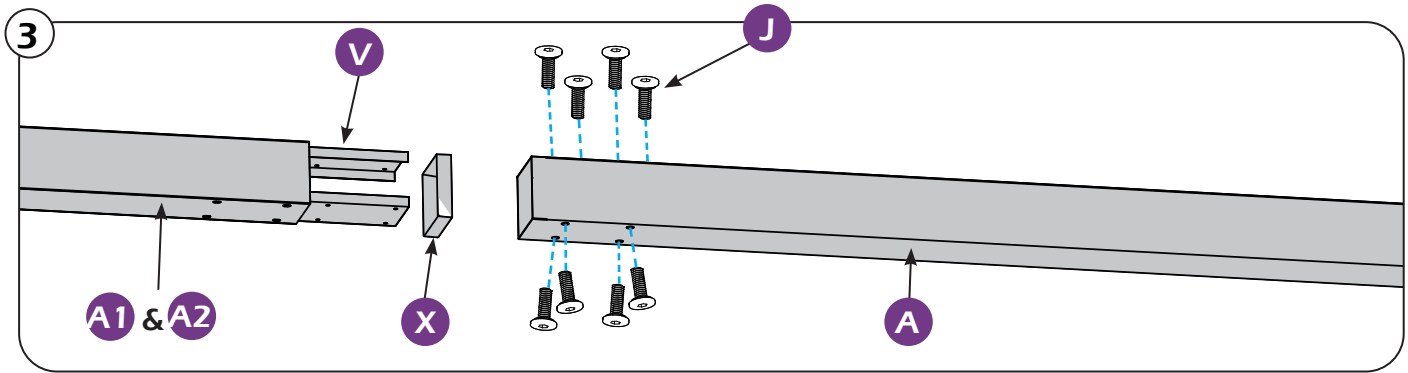
V × 8



X × 4



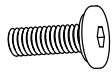
STEP 1



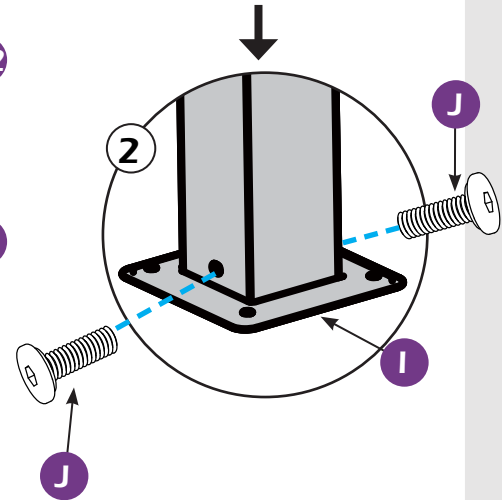
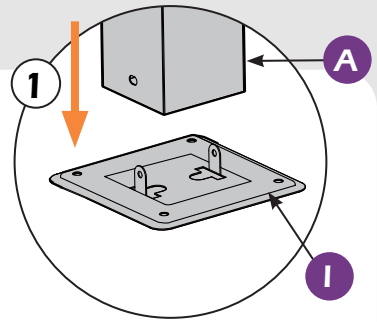
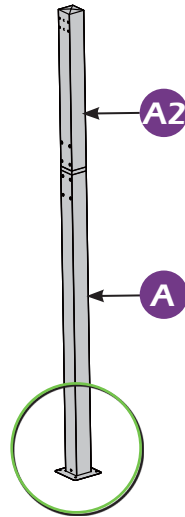
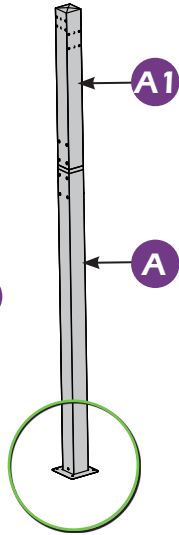
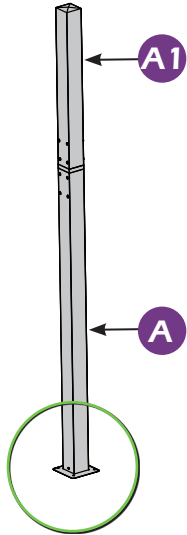
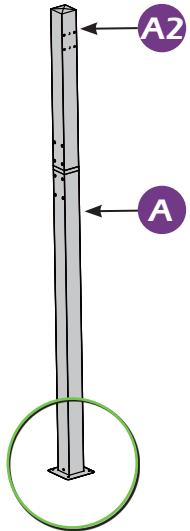
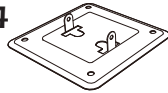
STEP 1



J × 8



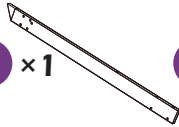
I × 4



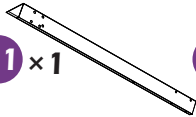
STEP 1



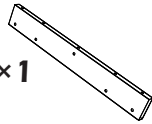
B ×1



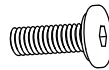
B1 ×1



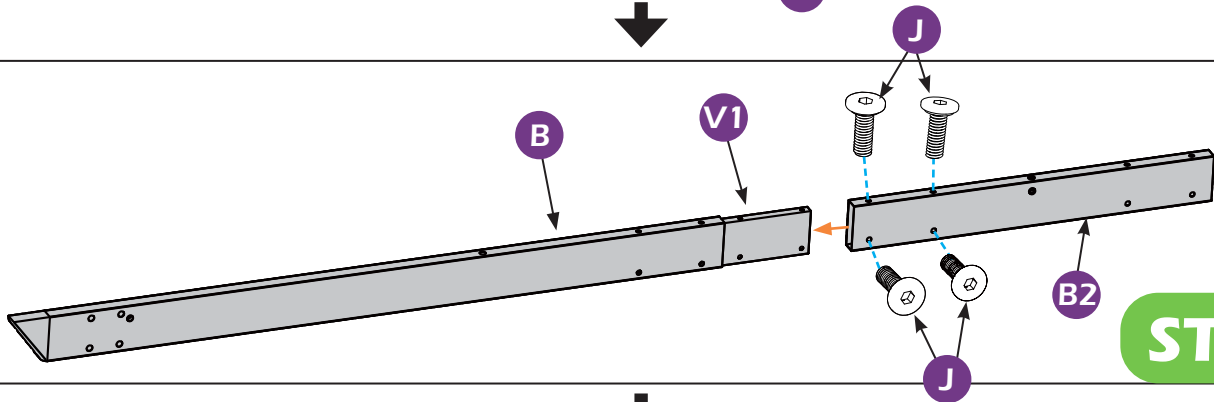
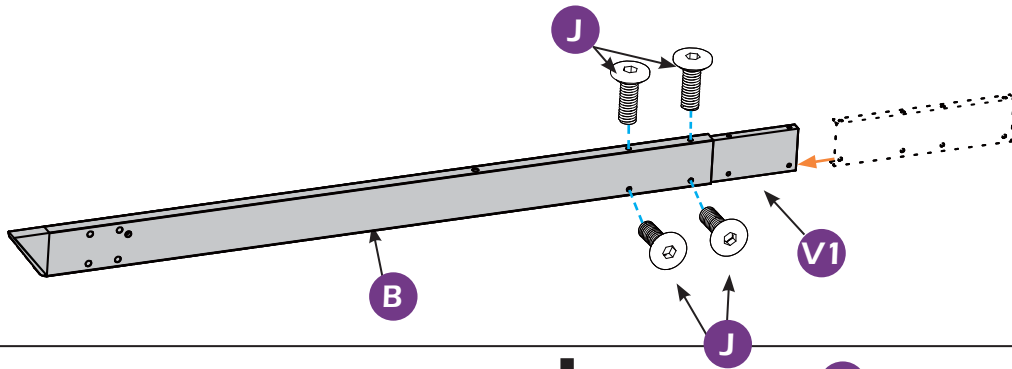
B2 ×1



J ×16

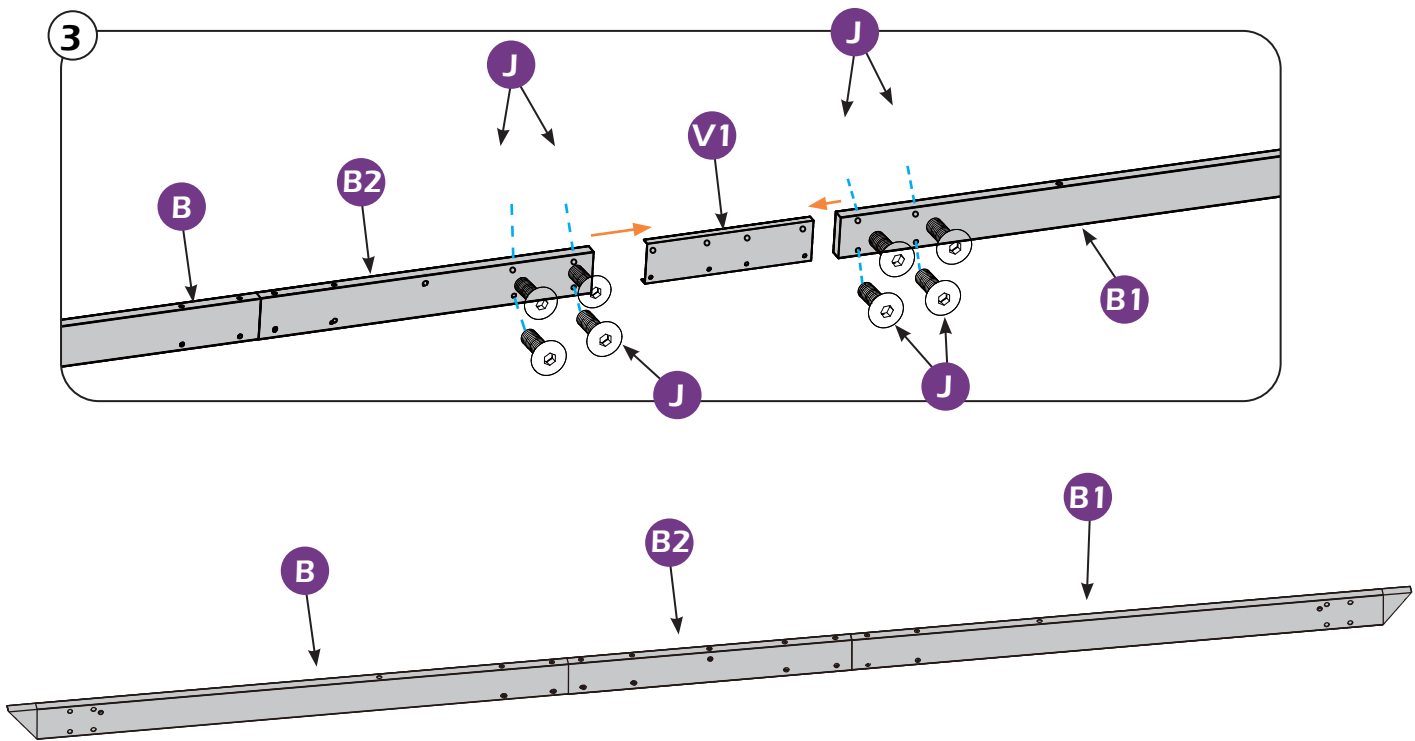


V1 ×2



STEP 2

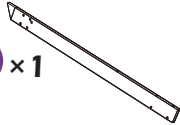
3



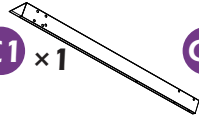
STEP 2



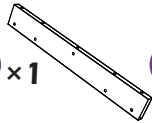
C x1



C1 x1



C2 x1



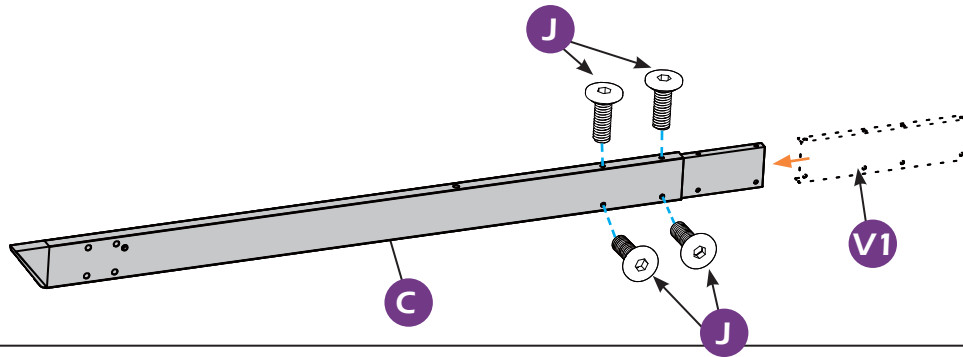
J x12



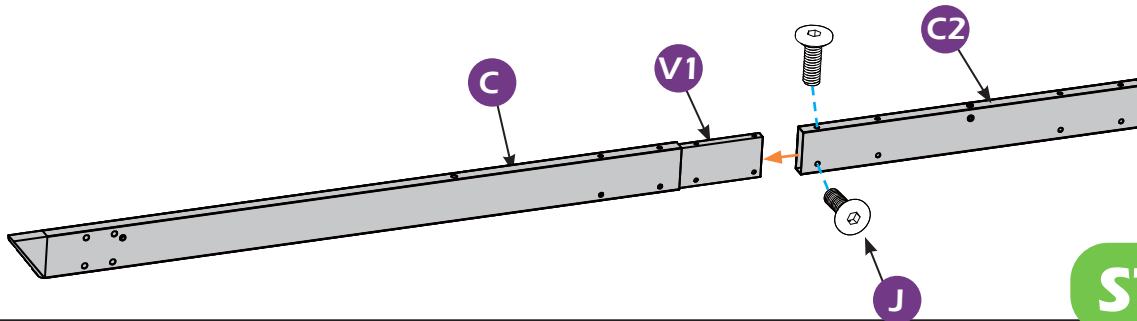
V1 x2



1

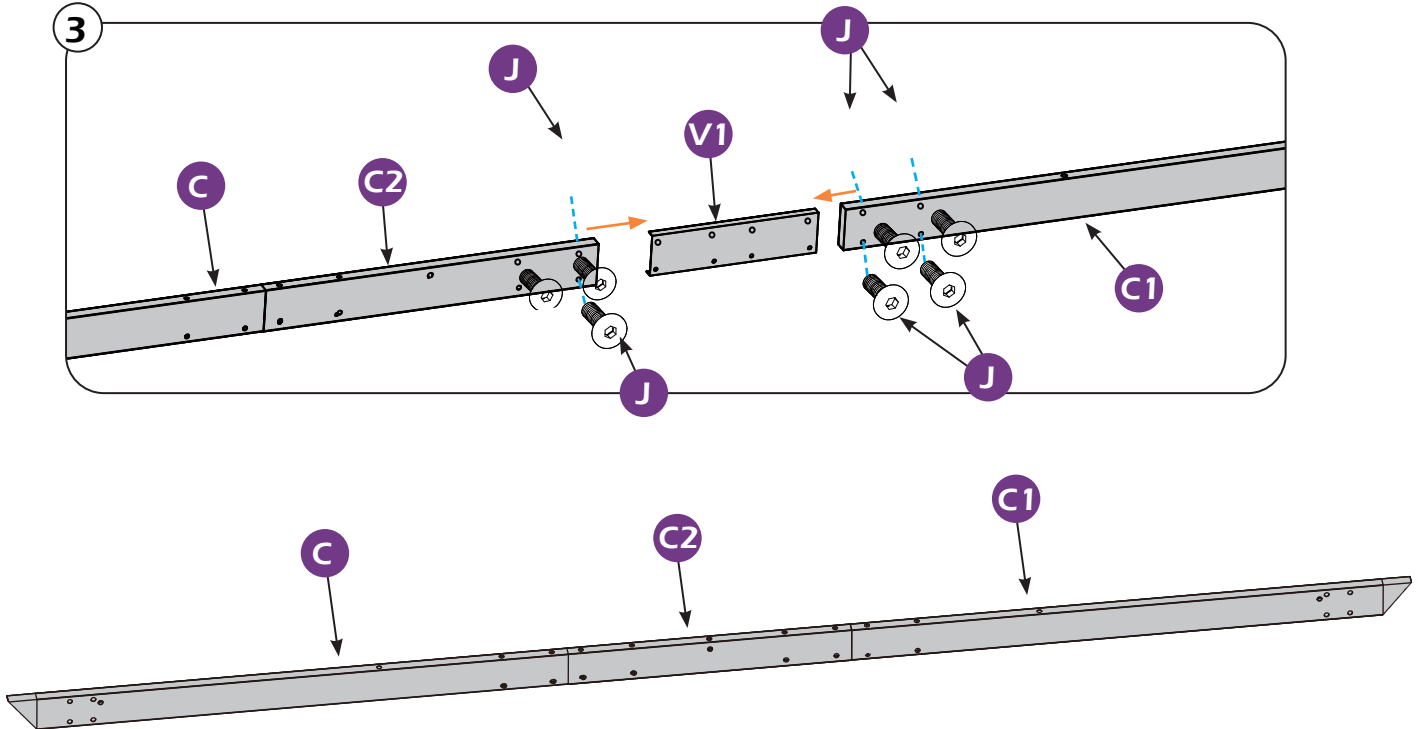


2



STEP 2

3



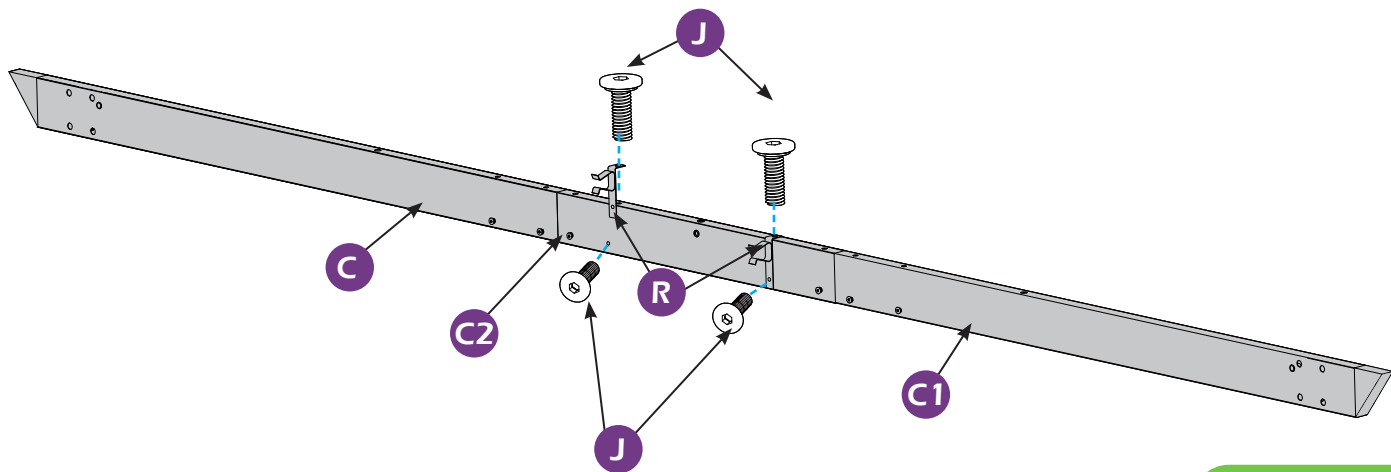
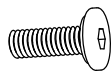
STEP 2



R x2



J x4



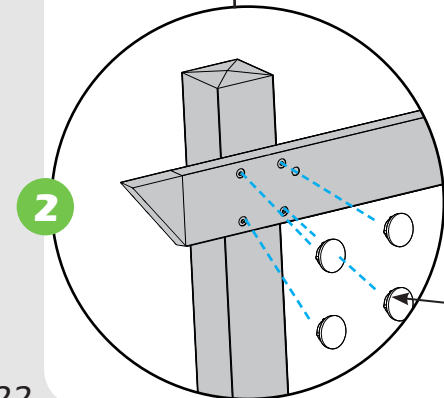
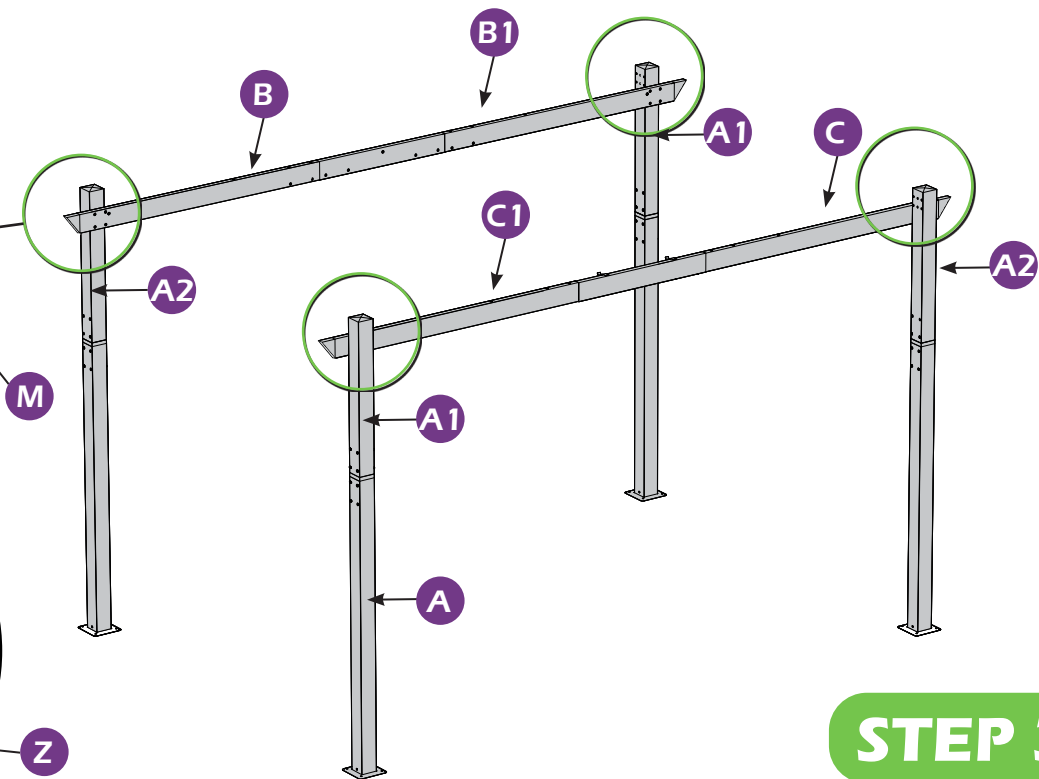
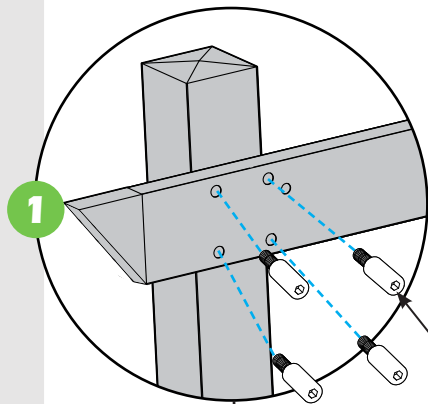
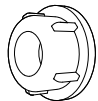
STEP 2



M × 16



Z × 16



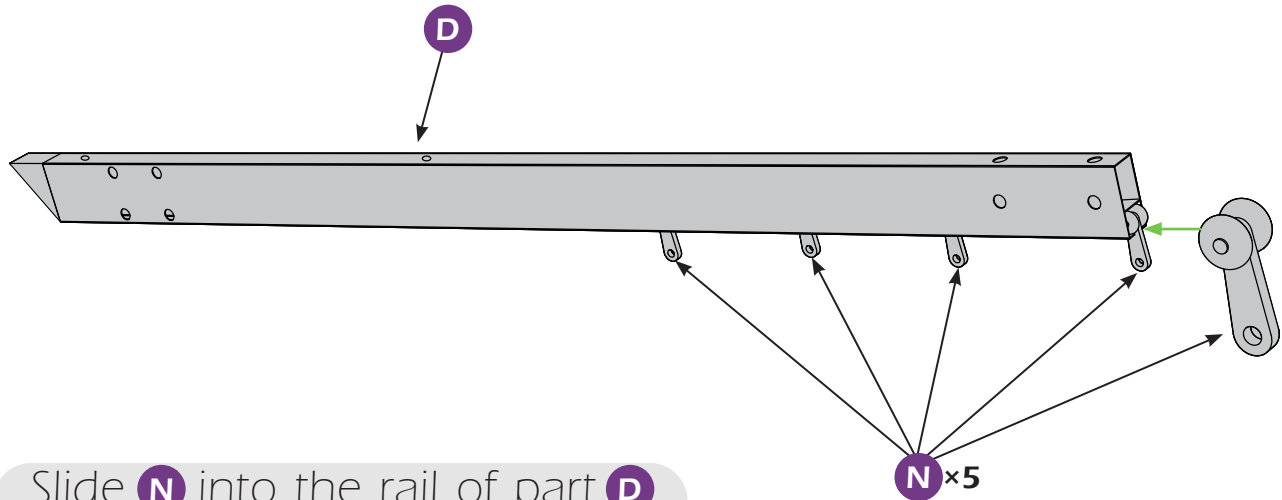
STEP 3



D × 2



N × 10



Slide **N** into the rail of part **D**
(both two **D**).

STEP 4



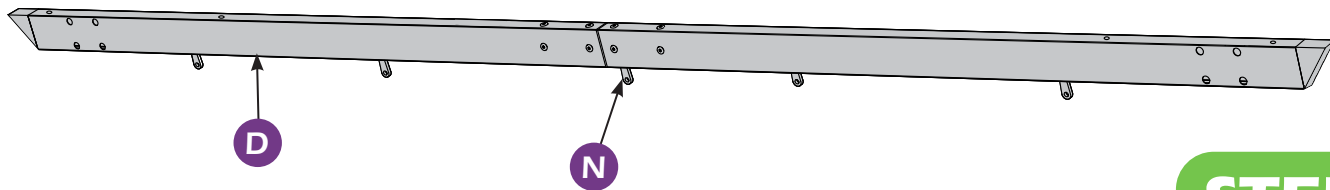
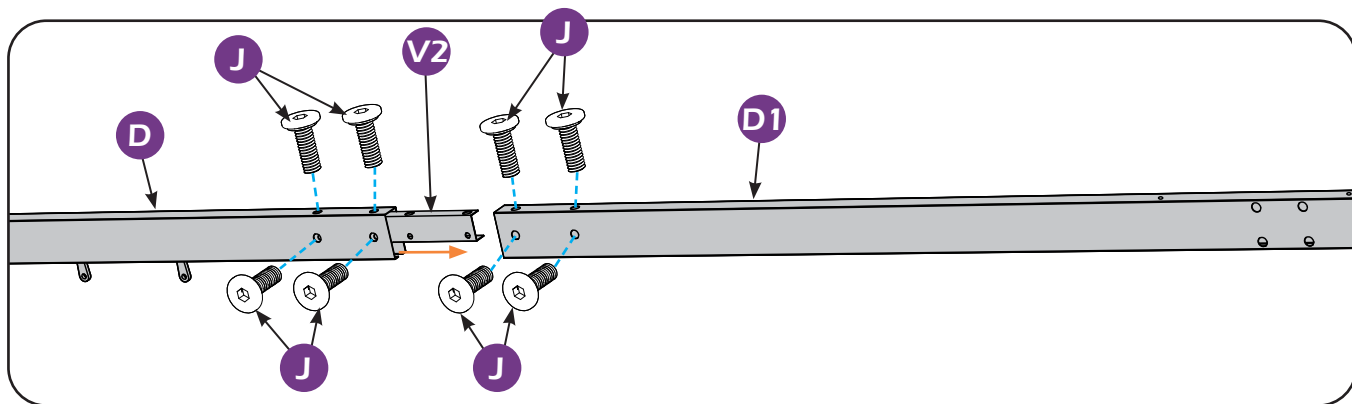
D1×2



V2×2



J×16



STEP 4



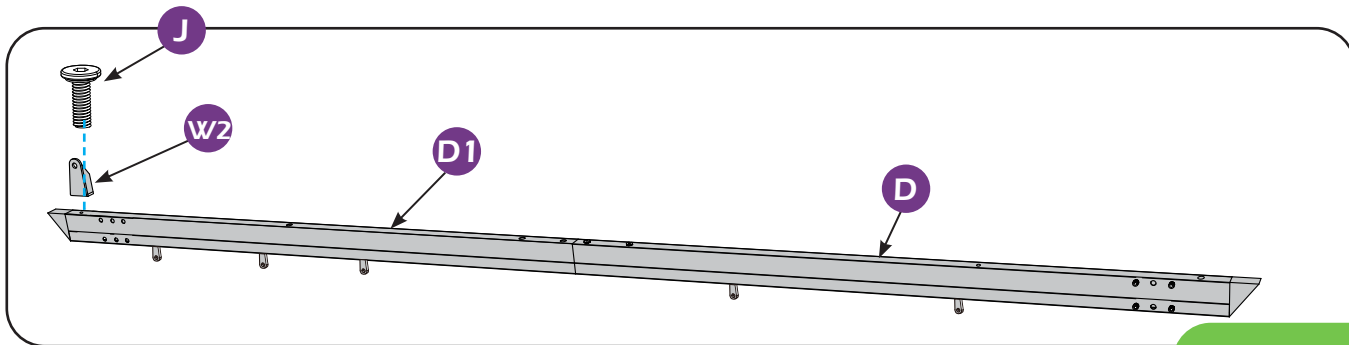
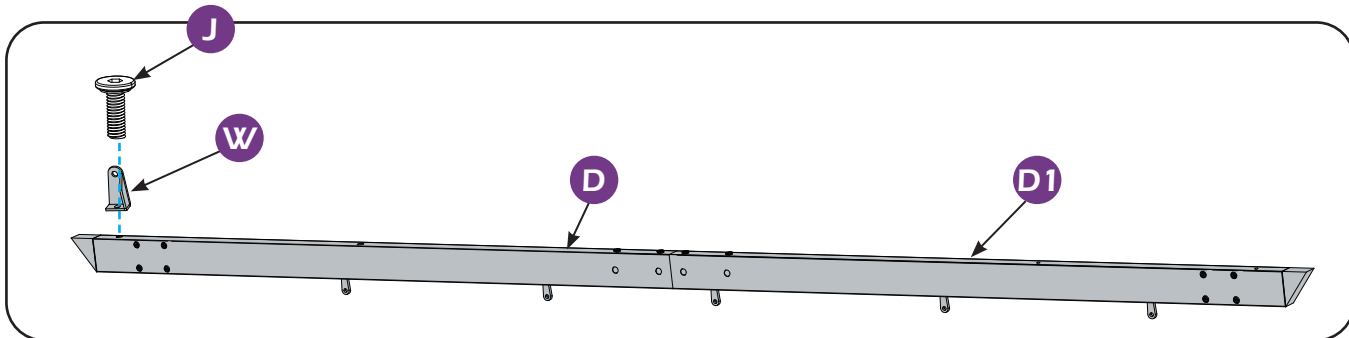
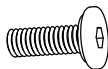
W × 1



W/2 × 1



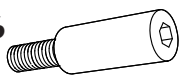
J × 2



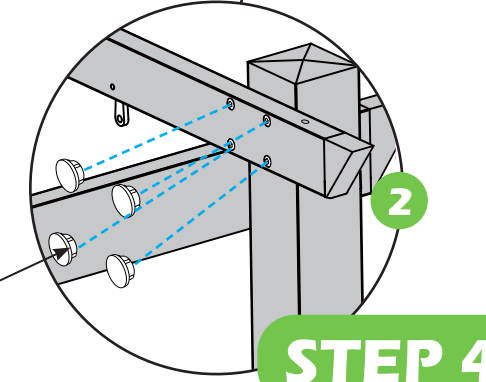
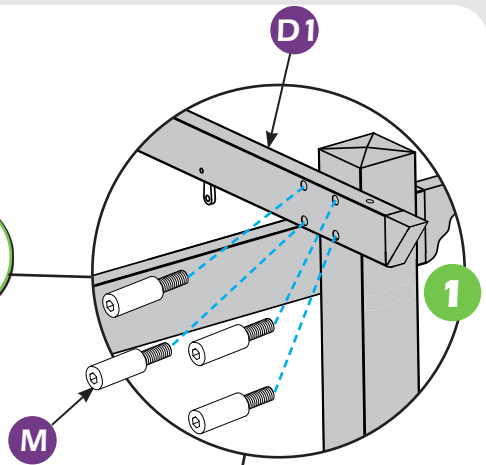
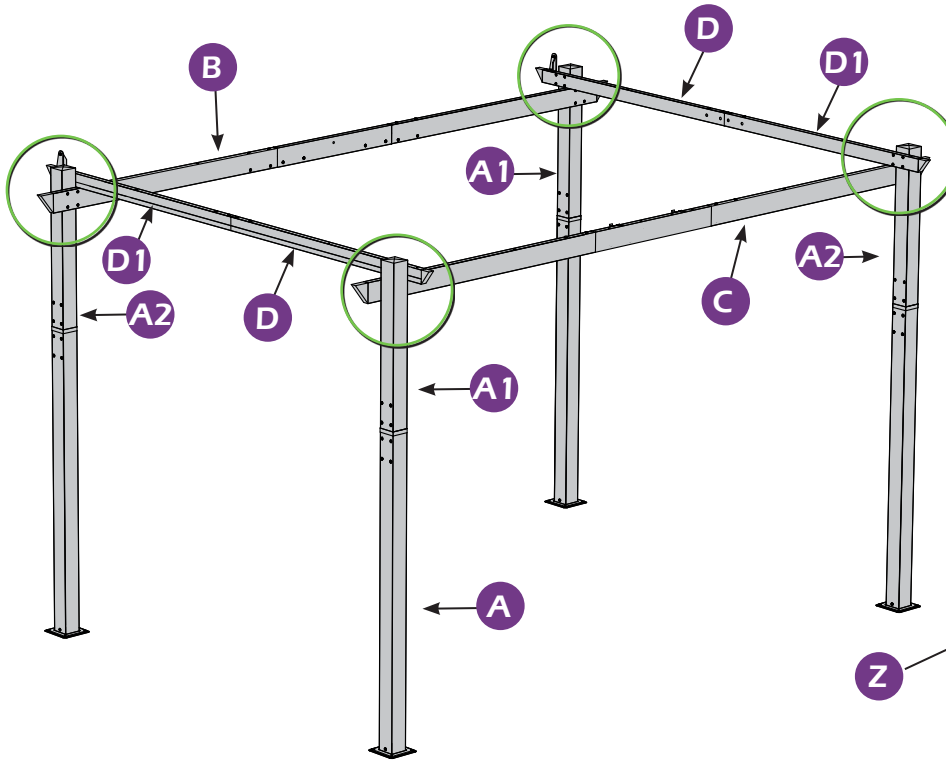
STEP 4



M×16



Z×16



STEP 4



E × 1



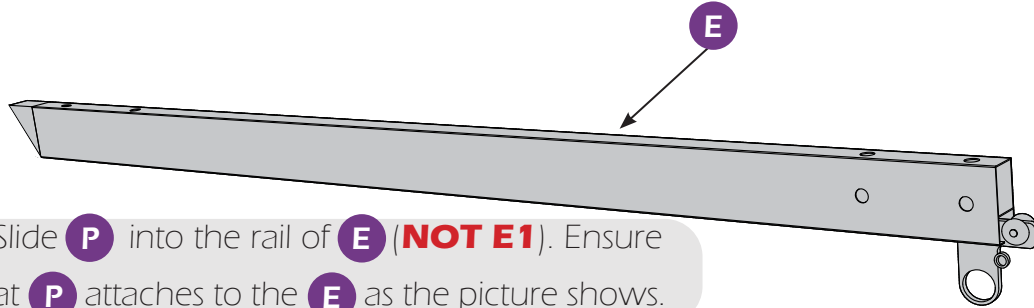
O × 4



P × 1

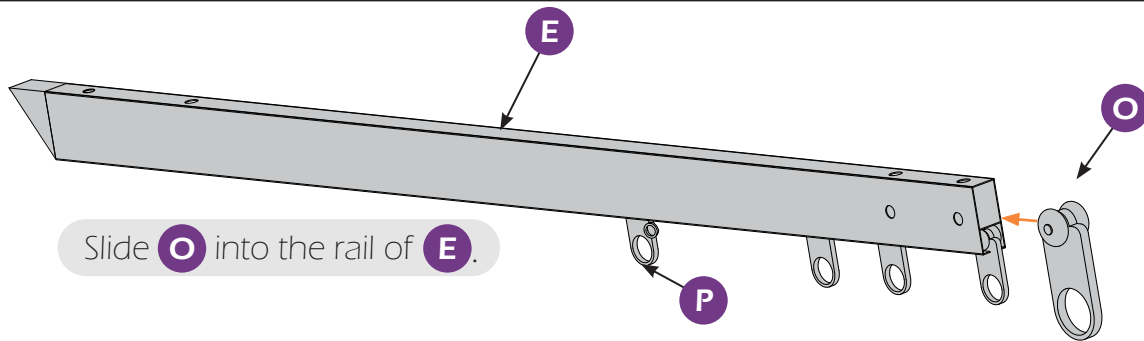


1



Slide **P** into the rail of **E** (**NOT E1**). Ensure that **P** attaches to the **E** as the picture shows.

2



Slide **O** into the rail of **E**.

STEP 5



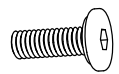
E1 × 1



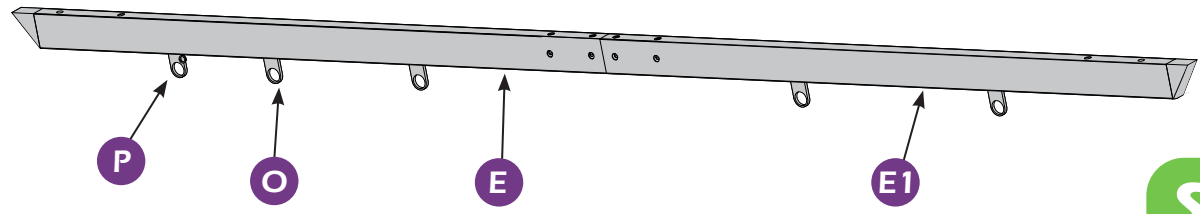
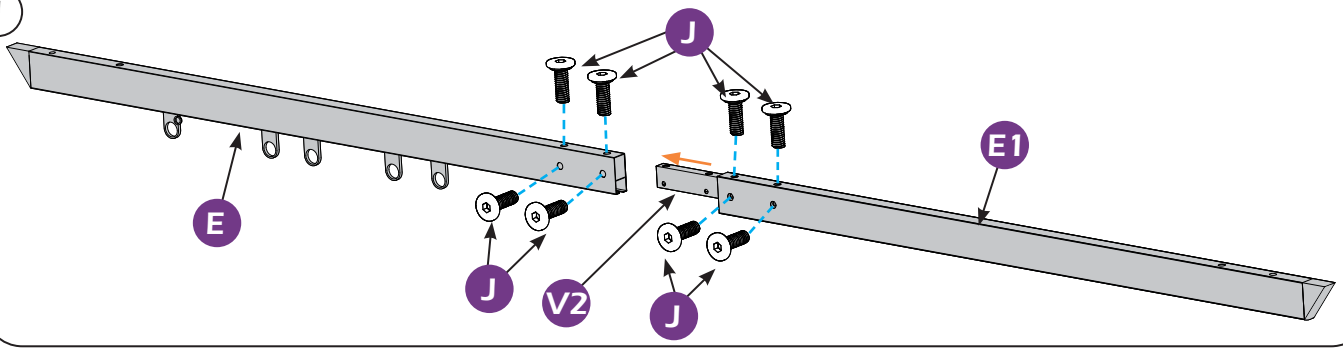
V2 × 1



J × 8



1



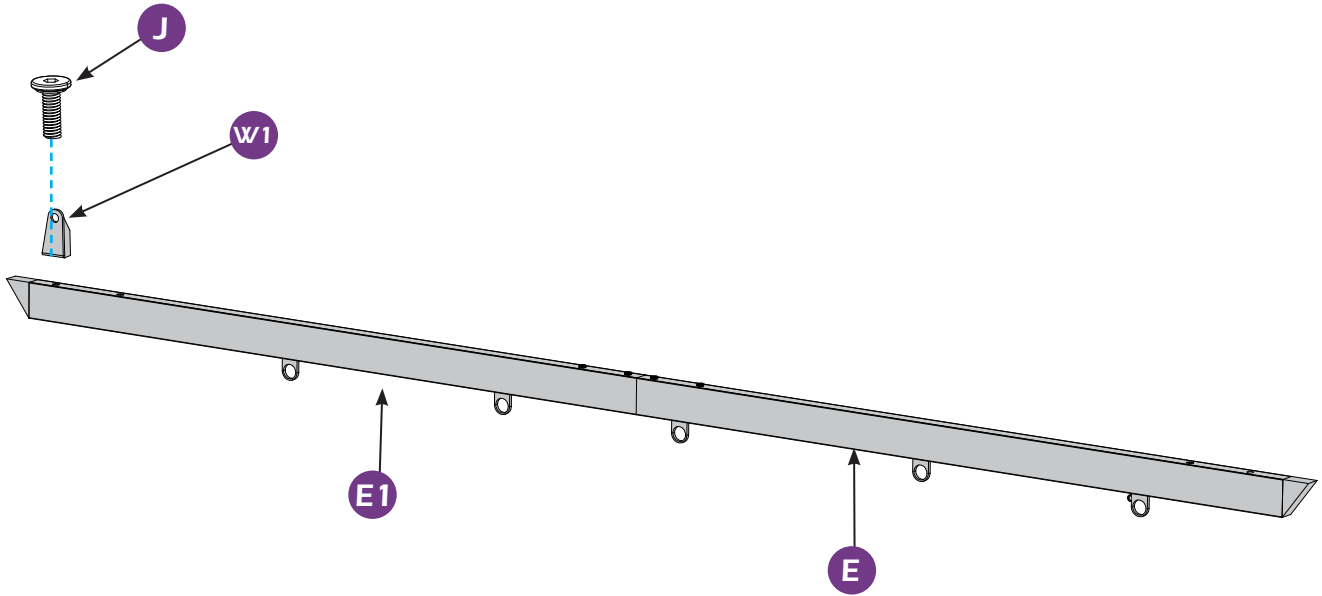
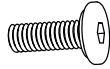
STEP 5



W1 × 1



J × 1



STEP 5



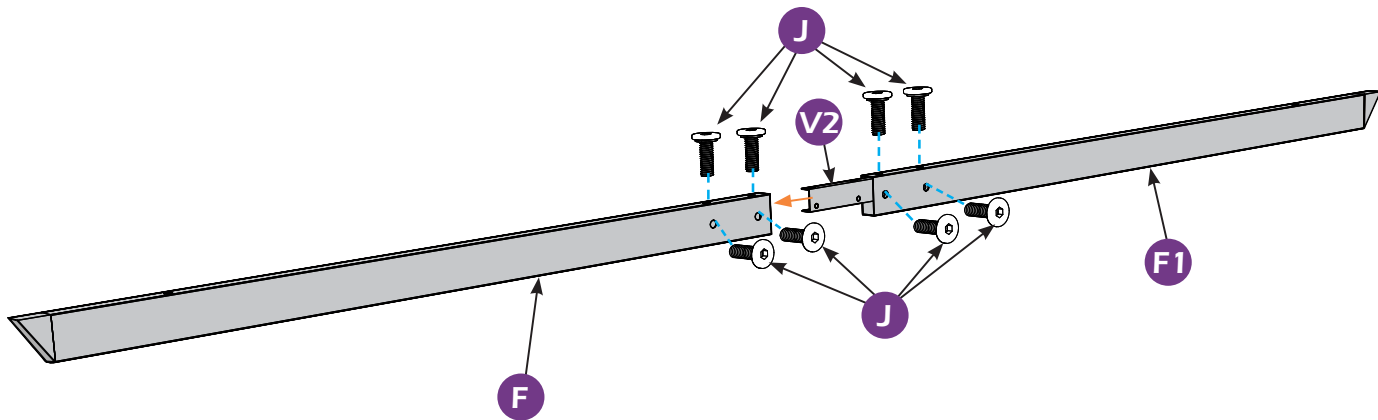
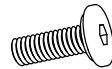
F × 2



F1 × 2

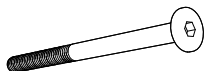


J × 16



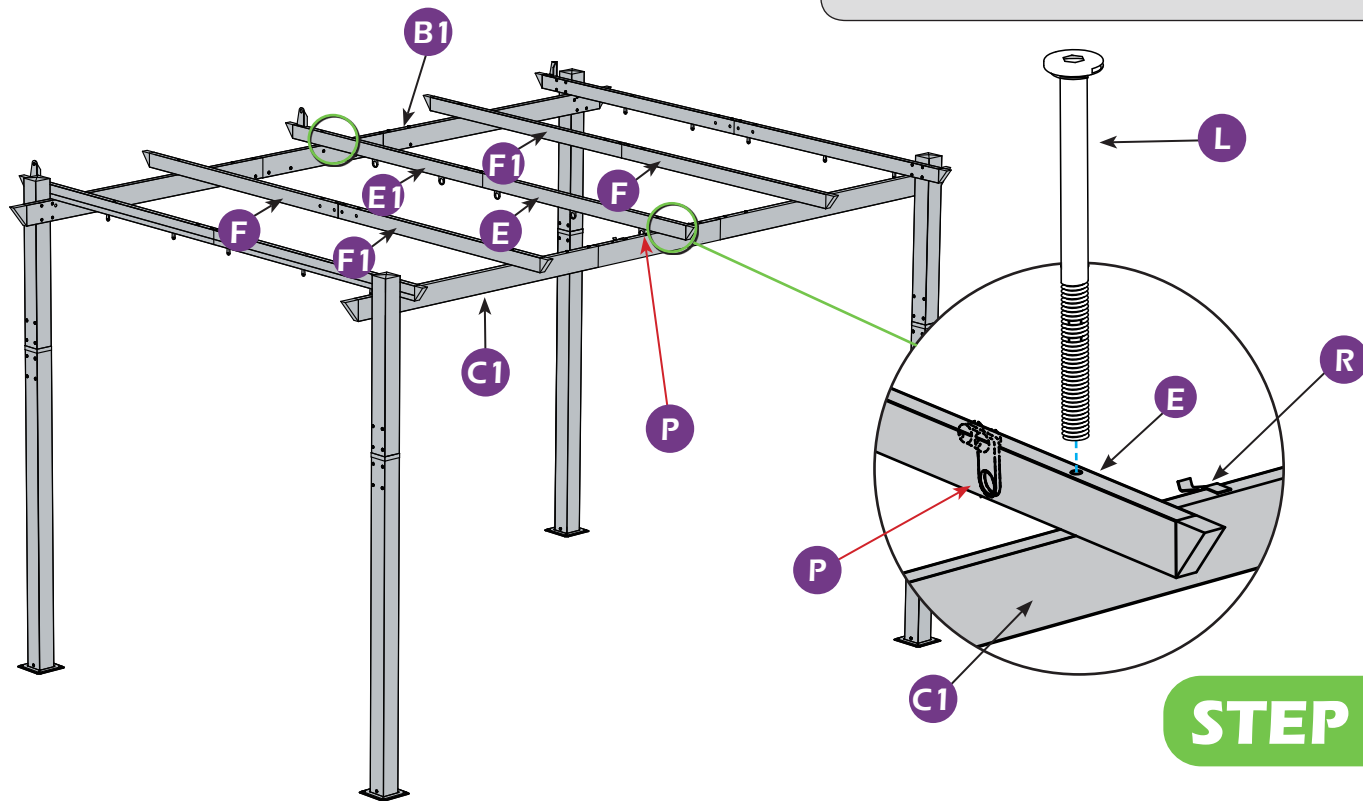


L x 6



Connect the cross beam (E & E1) and (F & F1) with the main beam.

Attention: Always keep P and C / C2 / C1 in the same side.



STEP 5



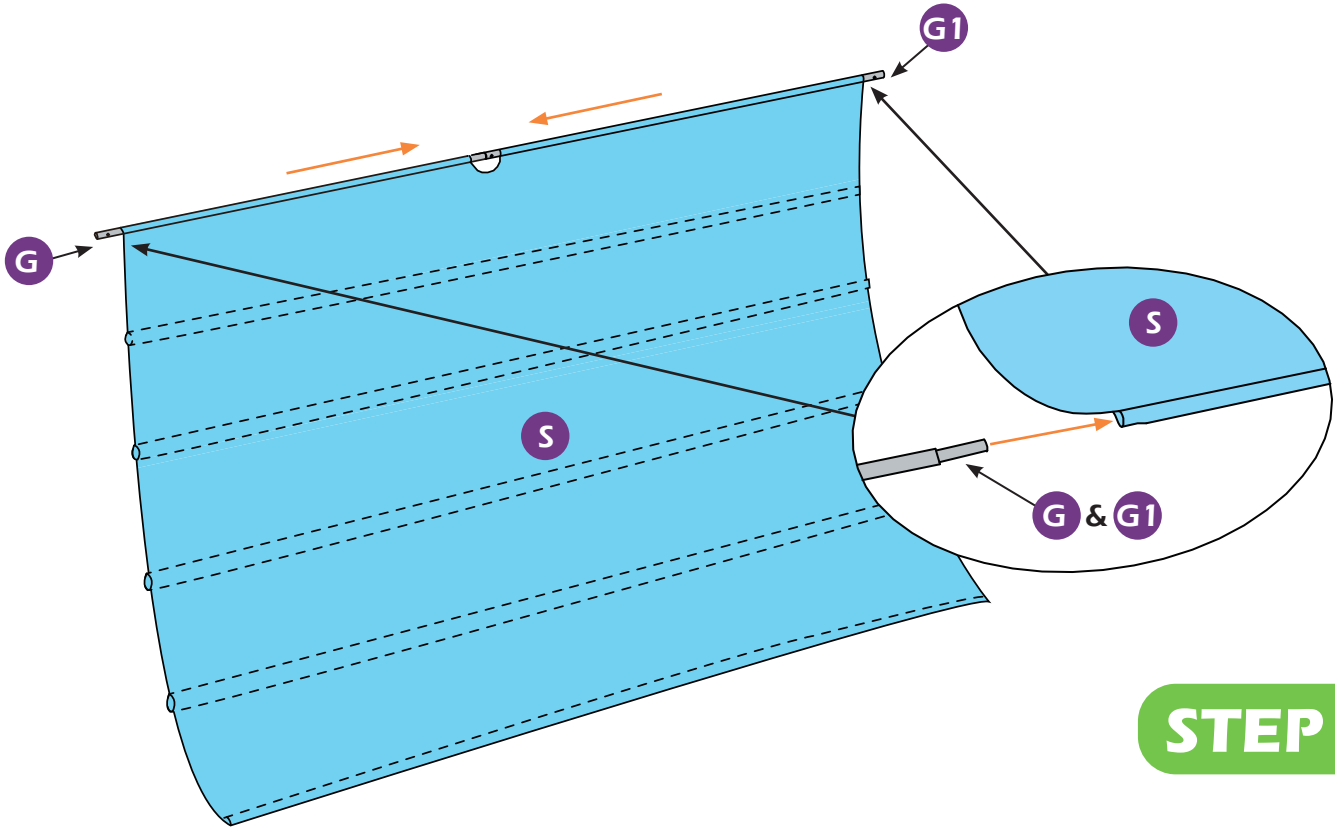
G x 1



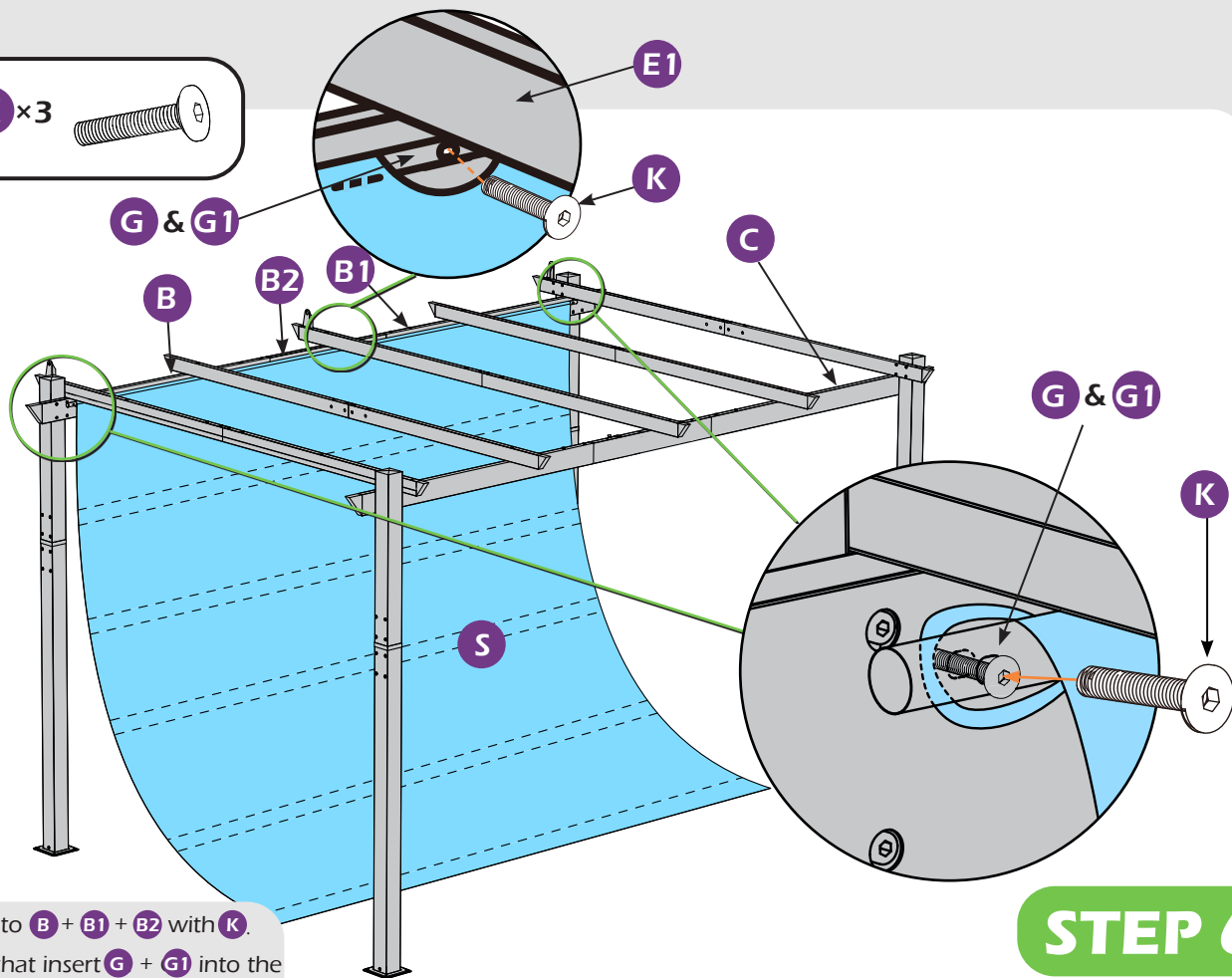
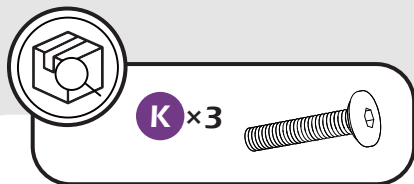
S x 1



G1 x 1



STEP 6



Install **G** + **G1** to **B** + **B1** + **B2** with **K**.

Caution: Ensure that insert **G** + **G1** into the canopy ahead of this step.

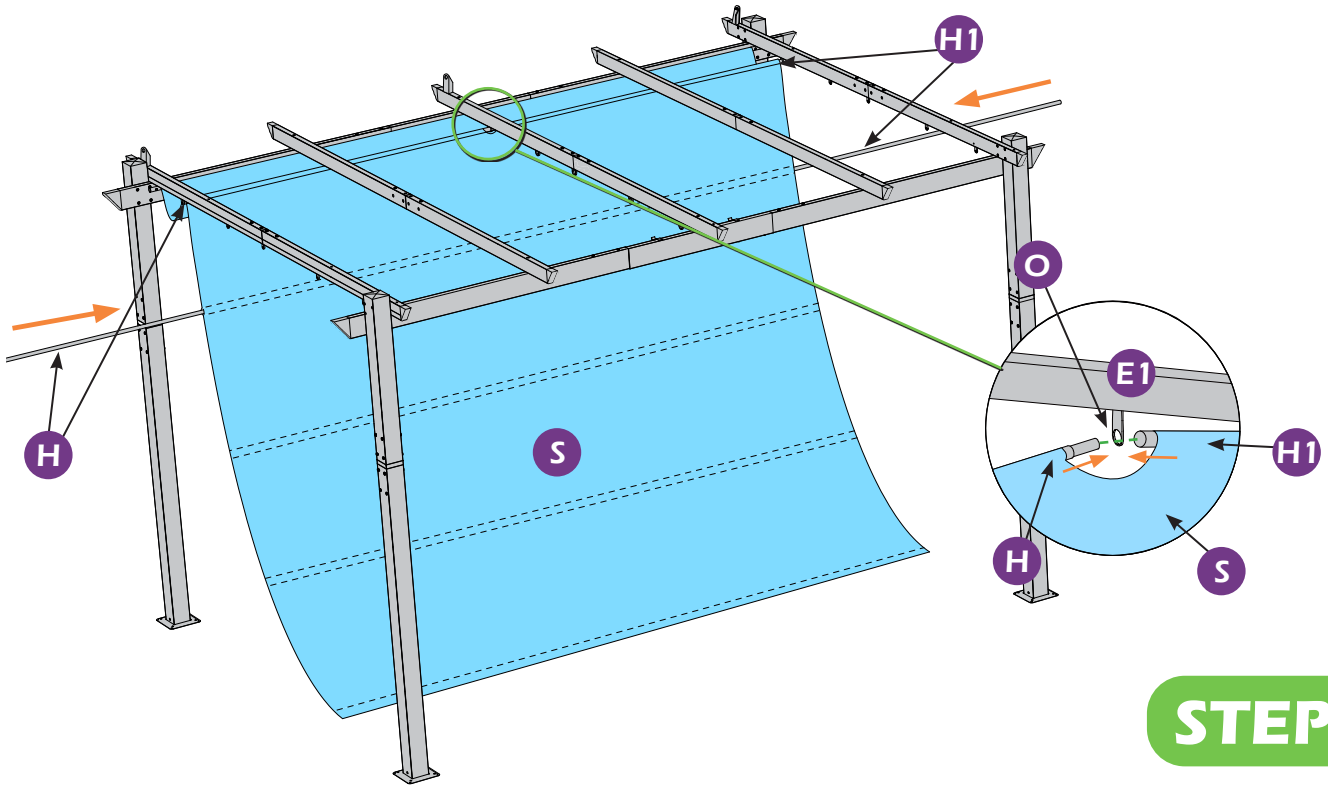
STEP 6



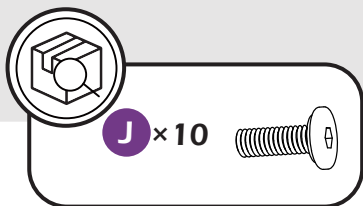
H×5



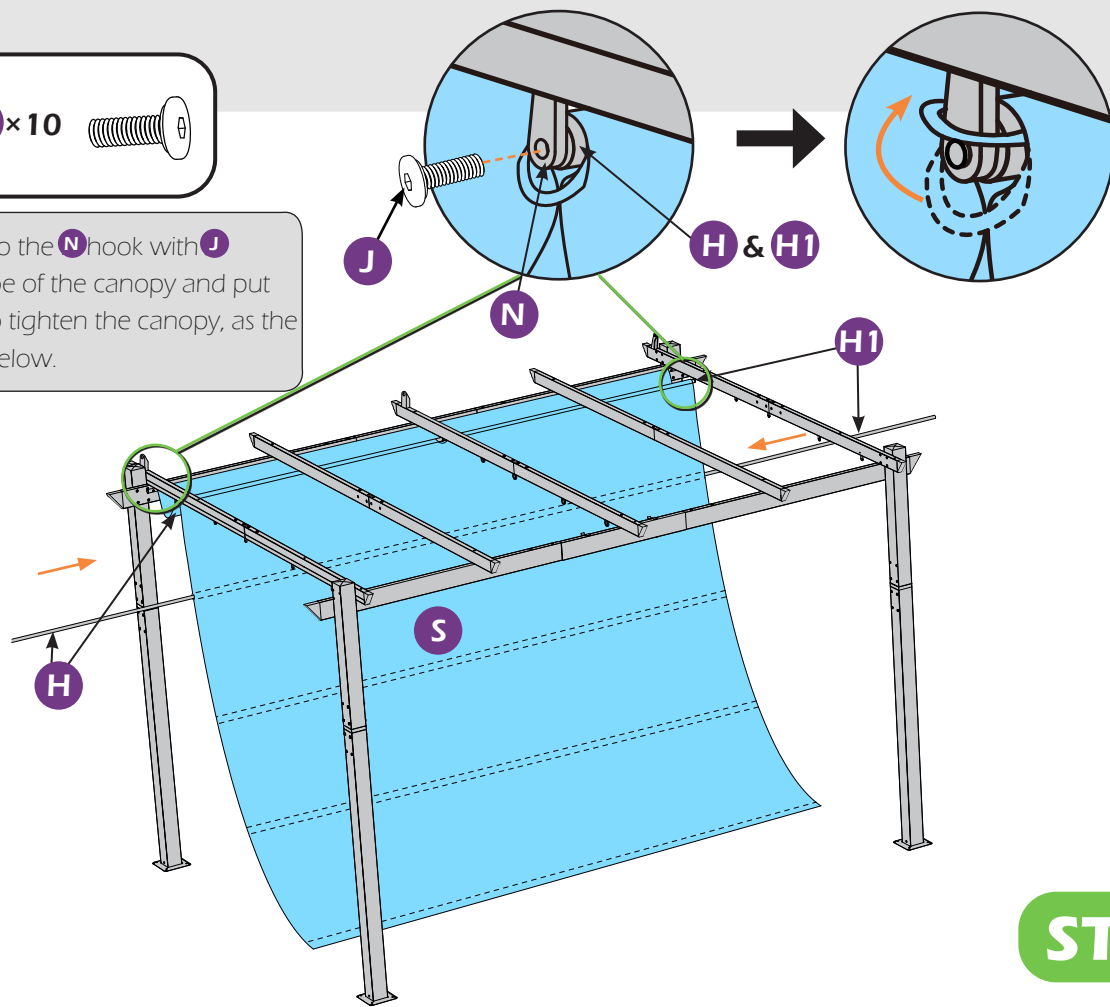
H1×5



STEP 6



Stabilize **H/H1** to the **N** hook with **J** bolt. Pull the rope of the canopy and put it on **N** hook to tighten the canopy, as the picture shows below.



STEP 6



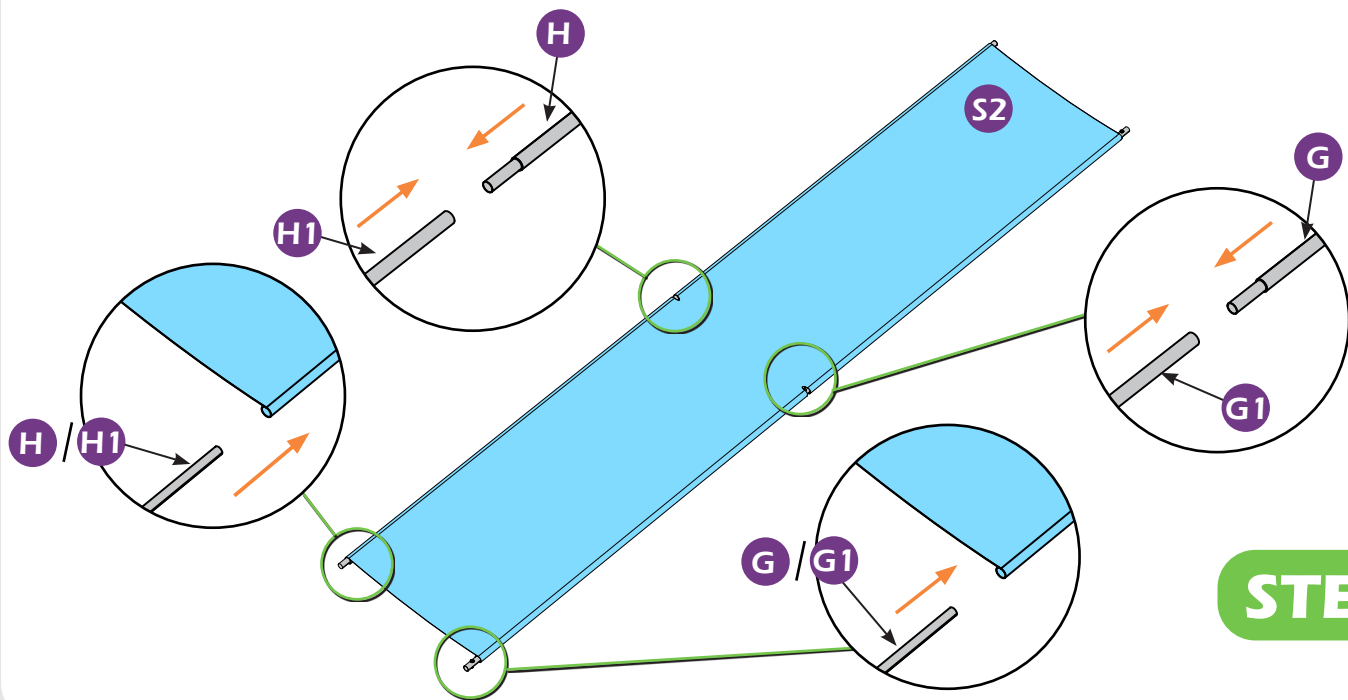
H × 1

G × 1

H1 × 1

G1 × 1

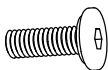
S2 × 1



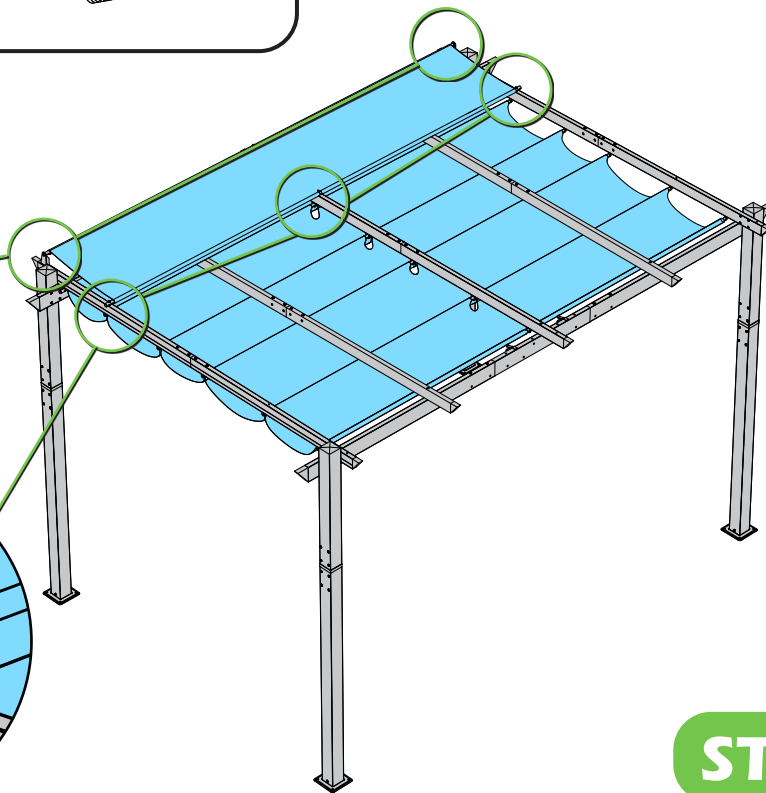
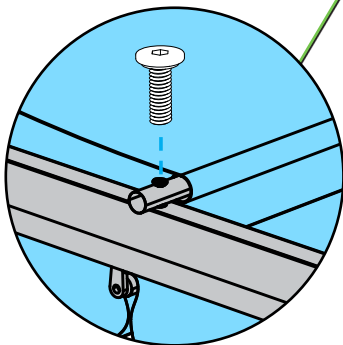
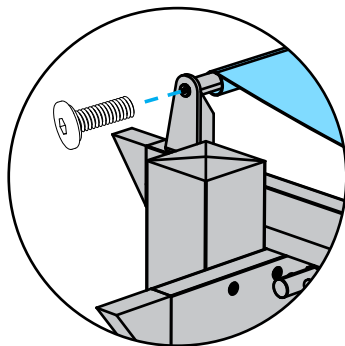
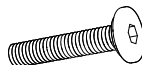
STEP 6



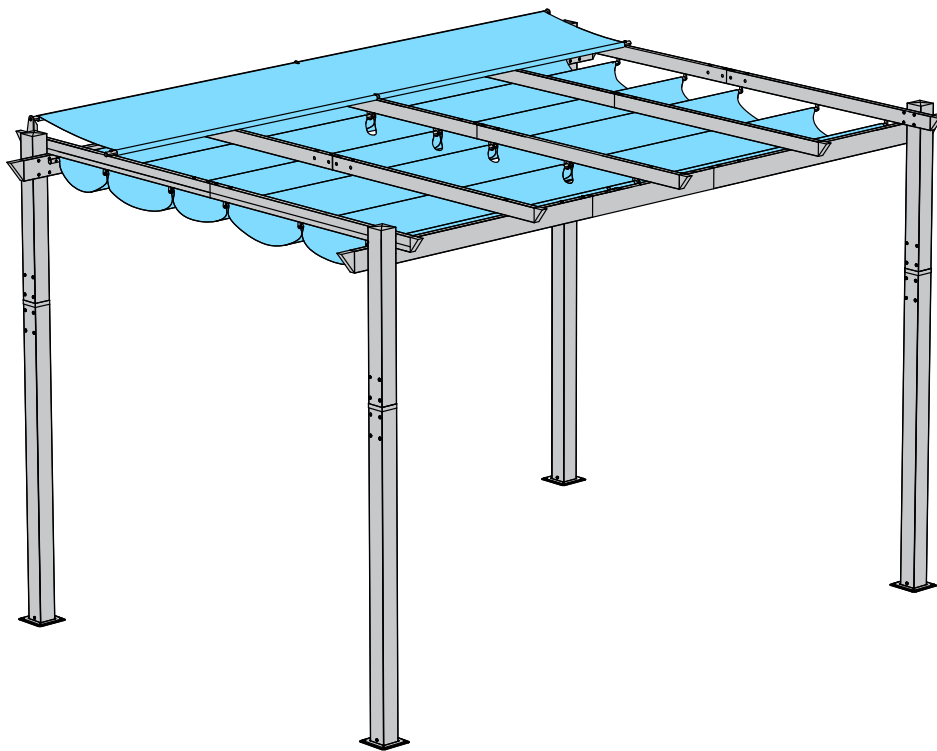
J × 2



K × 3



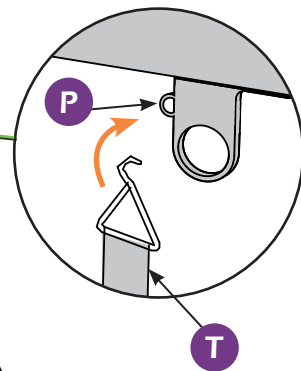
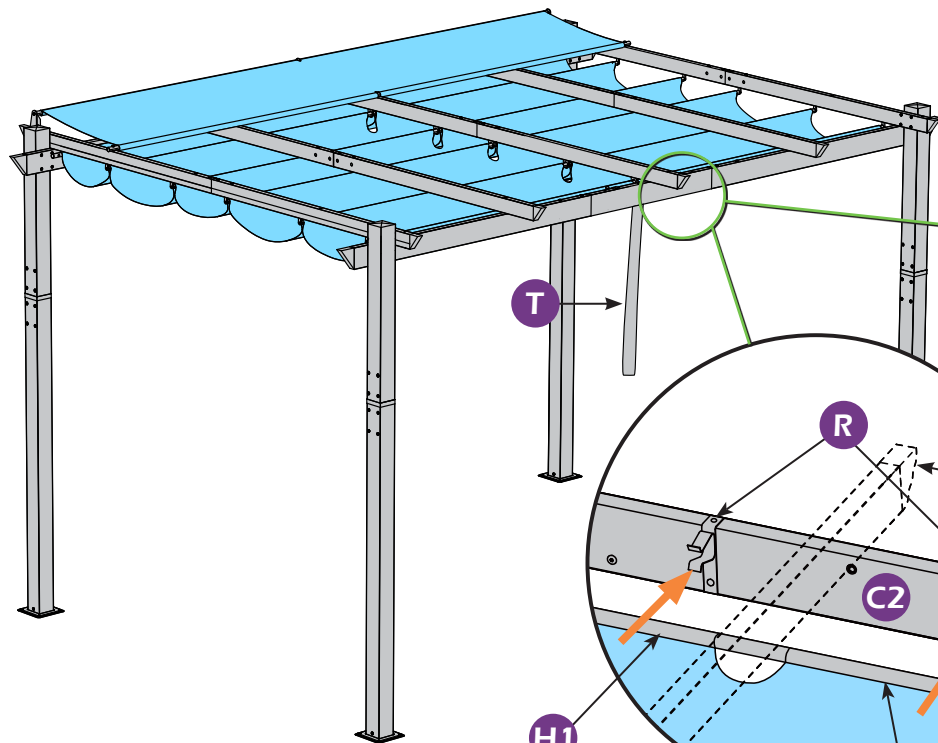
STEP 6



STEP 6



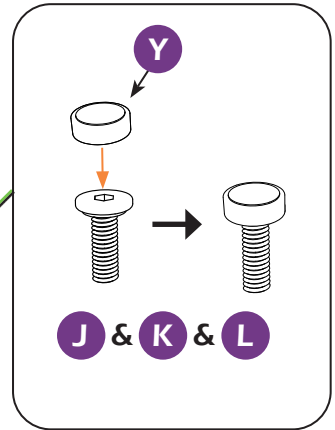
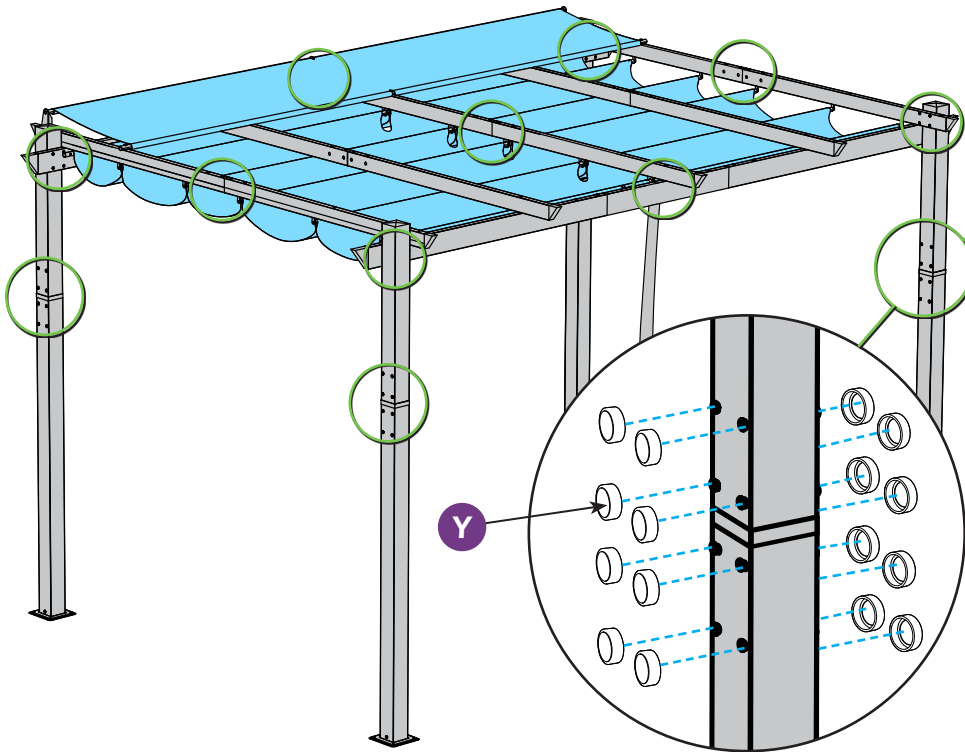
T × 1



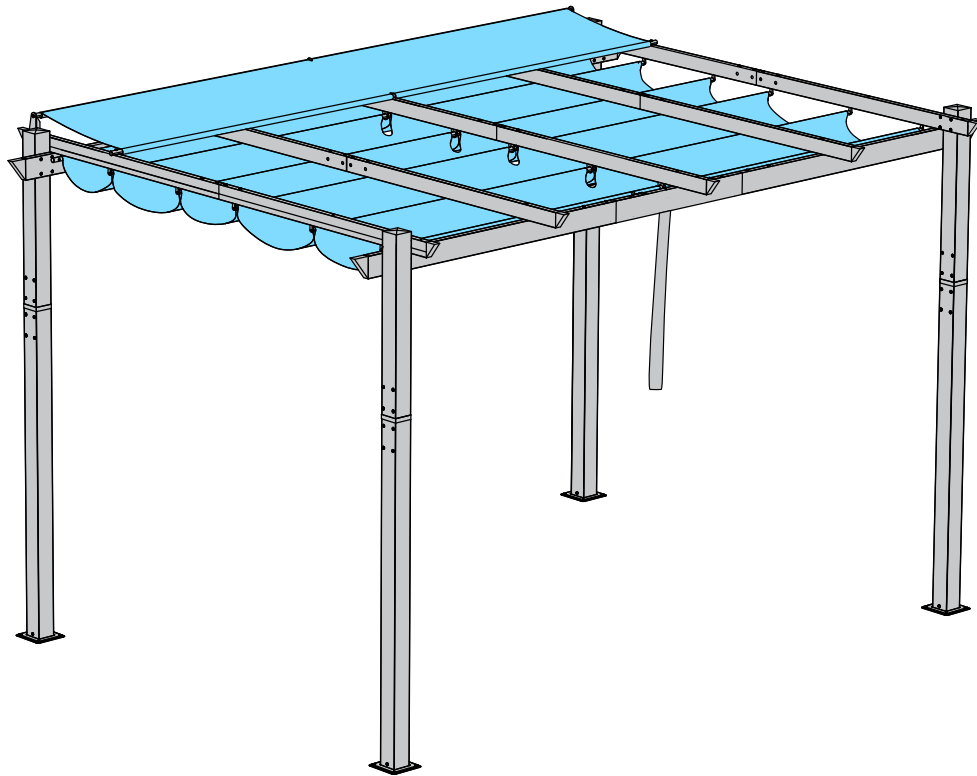
STEP 7



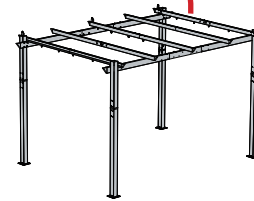
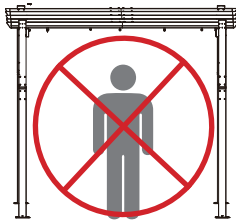
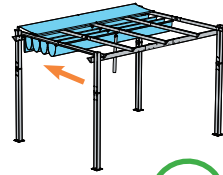
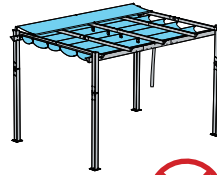
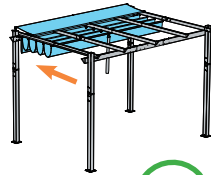
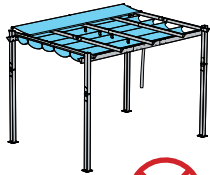
Y × 163



STEP 8



USE RECOMMENDATIONS



WARRANTY

Frames

Frames constructions are warranted to be free from defects in material and workmanship for 1 year from the item purchased. Damage to frame from negligence won't be covered by this warranty.

Bolts & Nuts

Bolts and nuts are warranted to be free from defects in material and workmanship for 1 year from the item purchased. Damage from exposure to chemicals (including not only oils, spills, fluids) won't be covered by this warranty.

Canopy

Canopy is warranted to be free from defects in material and workmanship for 1 year from the item purchased. Damage from exposure to chemicals (including but not only oils, spills, fluids) won't be covered by this warranty.

Warranty Exclusion

This warranty does not cover products subject to negligence, abuse usage, inappropriate installation, extreme weather conditions. Purple Leaf reserves the right to explain warranty exclusions. When the replacement item is applied, the 1 year warranty automatically expires. Please feel free to contact us to apply for the warranty.

CARE AND CLEANING

When not in use, close and cover pergola with a protective cover. If necessary, clean the fabric with lukewarm water. Allow a wet canopy to dry slightly opened, but do not leave unattended. Wipe sliding marks on the aluminum poles with a damp cloth.
Winter Storage: Store In A Dry Place.



*Purple Leaf Inc.
1820 E Locust St, Ontario
CA, 91761, US
pergola@purpleleafgarden.com
©Copyright 2016-2023 Purple Leaf Inc.
All Rights Reserved*