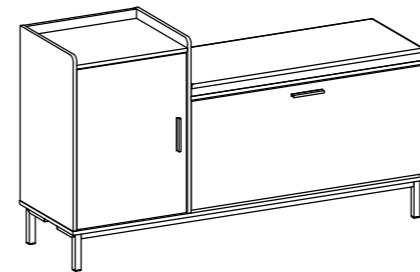


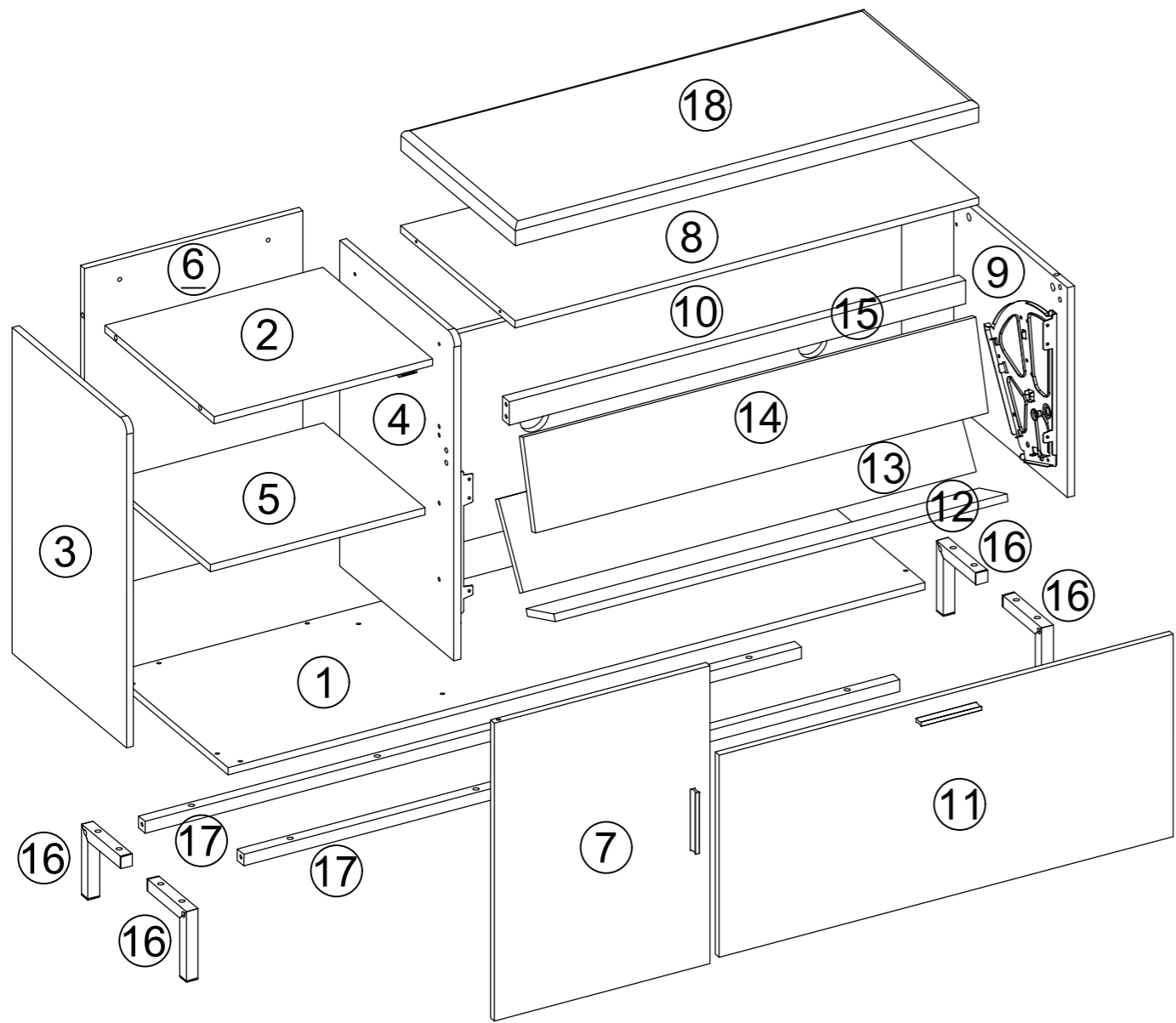
Shoe Cabinet

Dimension: 120*35*68cm

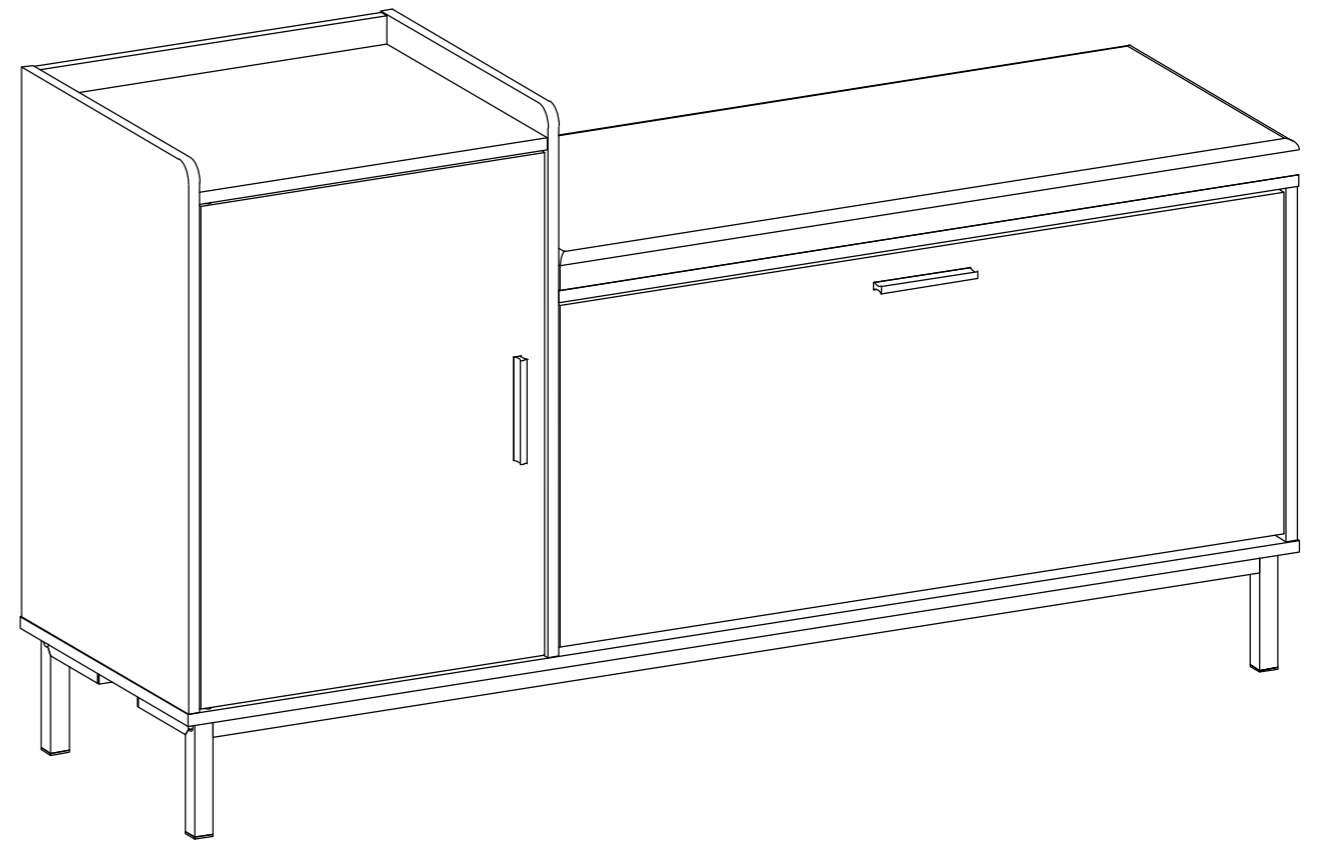


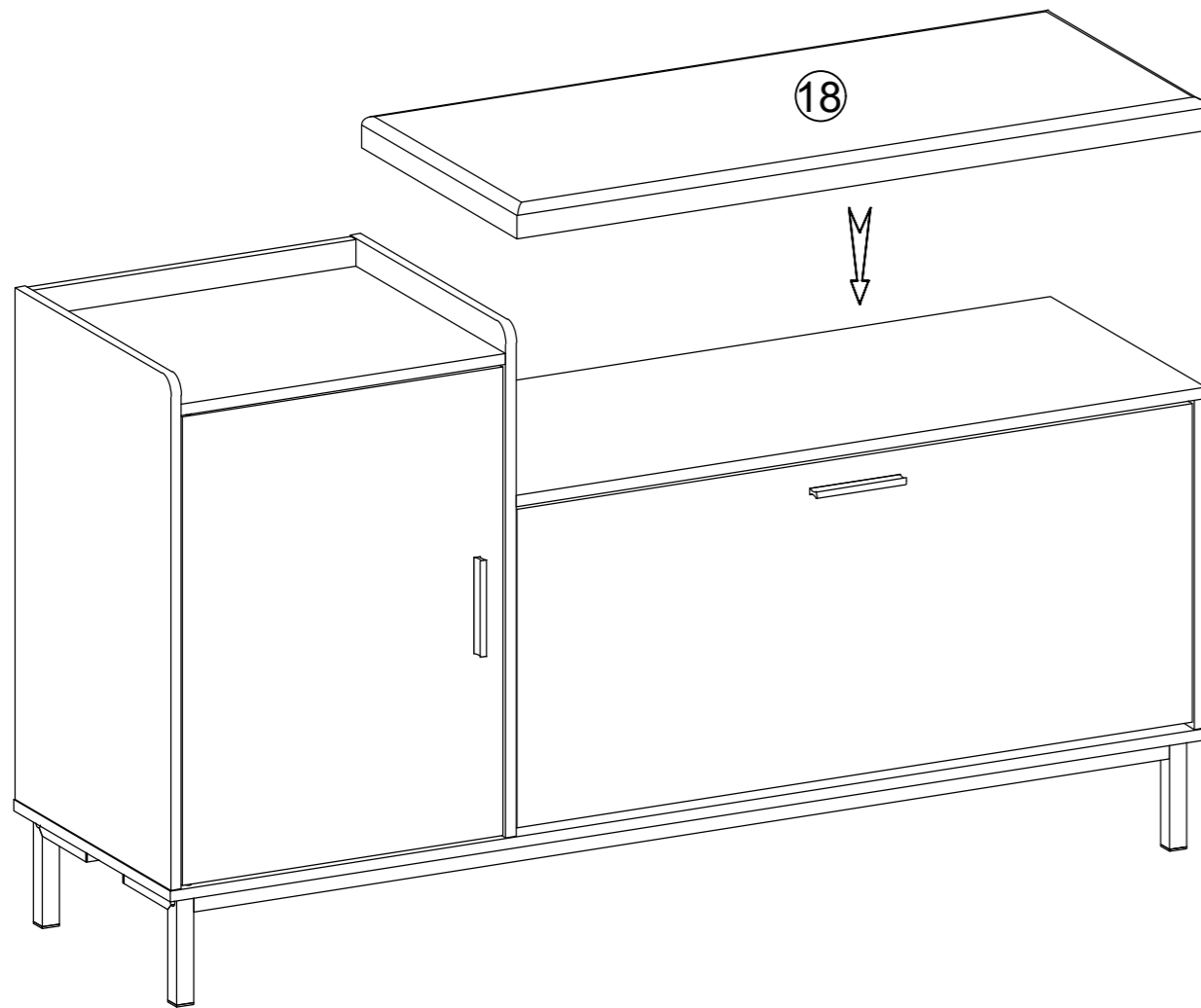
Item Description:
Dimension:

Shoe Cabinet
120*35*68cm



22

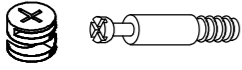
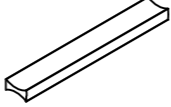







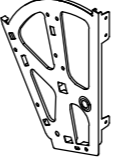

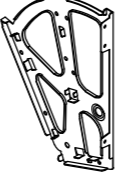
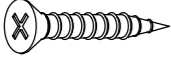
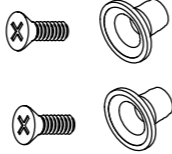
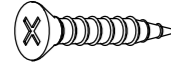
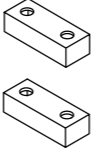
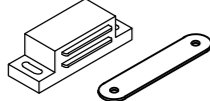





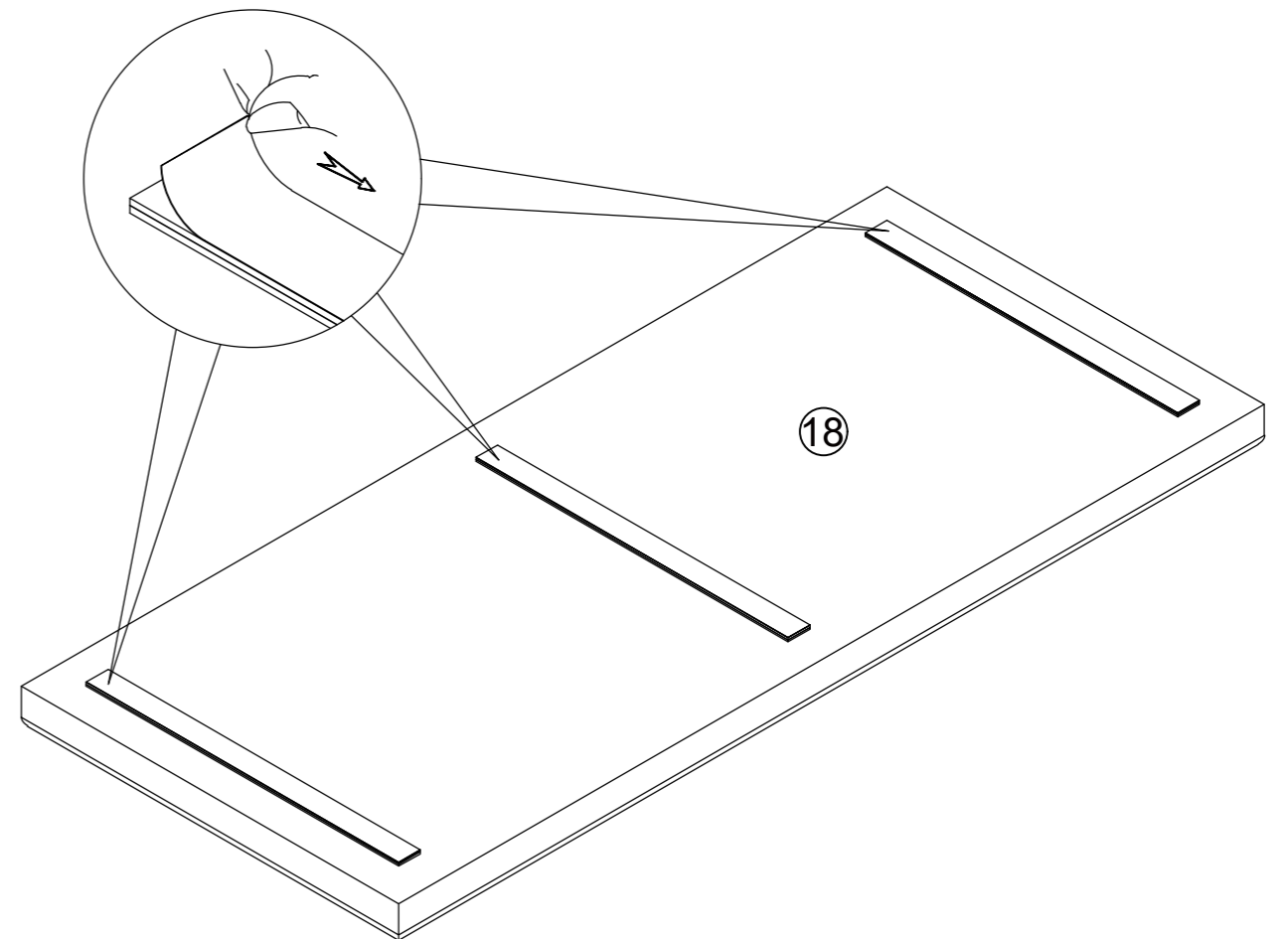
Components

1	 1200*350*12	1	10	 786*356*12	1
2	 376*334*12	1	11	 780*345*12	1
3	 553*348*12	1	12	 778*90*12	1
4	 553*348*12	1	13	 778*145*12	1
5	 370*310*12	1	14	 778*150*12	1
6	 552*376*12	1	15	 20*40*786	1
7	 506*371*12	1	16	 120*120*20	4
8	 799*348*12	2	17	 20*20*1130	2
9	 356*346*12	1	18	 798*348*35	1

Screws & Tools

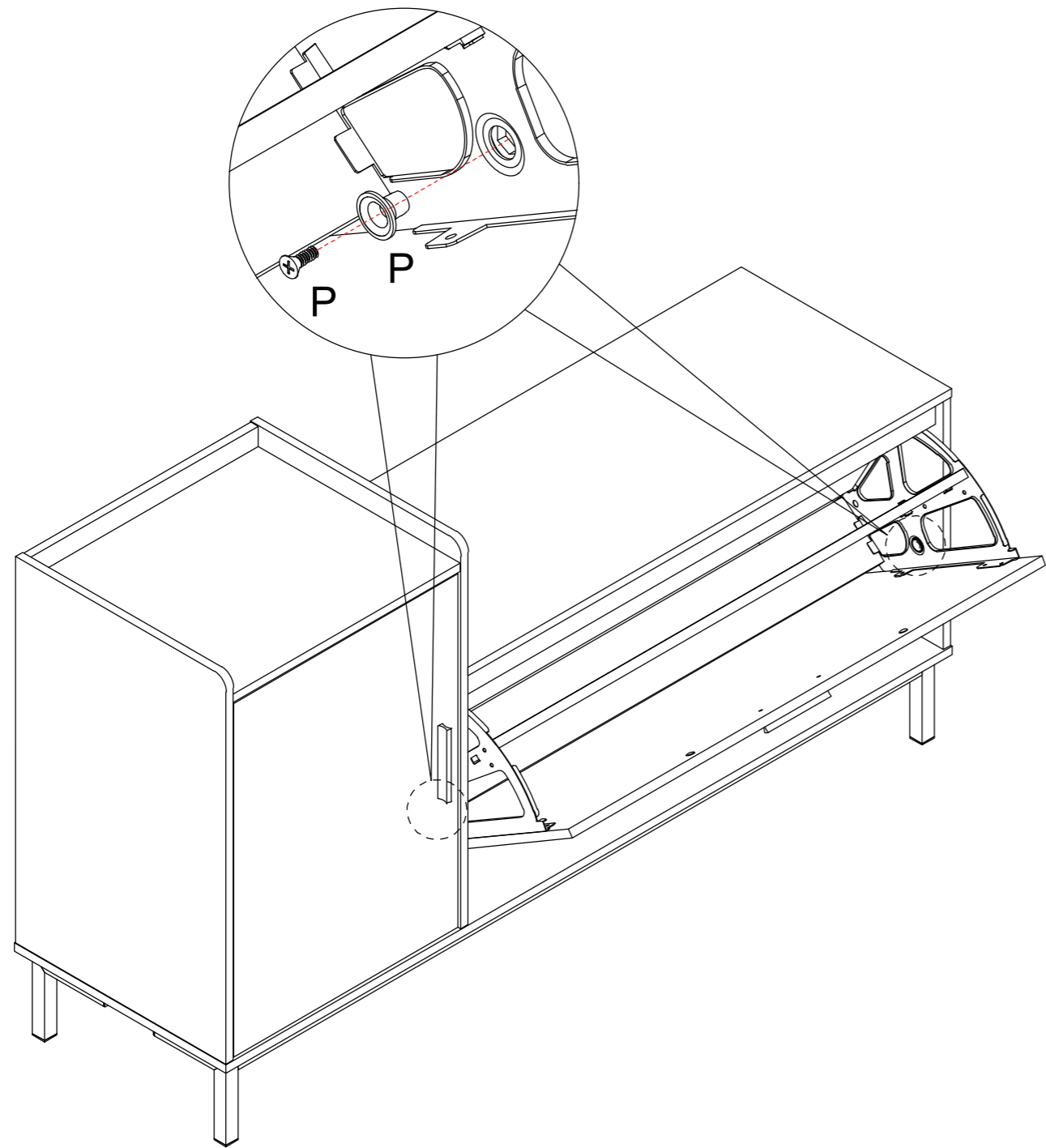
A		16	J		1
B	 5X40	14	K	 Ø6	2
C	 M6X45	2	L	 Ø6	6
D	 M6X35	4	M		2
E	 M6X25	20	N		2
F	 M4X14	4	O		1
G	 ST3.5X14	14	P		1
H	 ST3.5X12	12	Q		1
I		1			

20

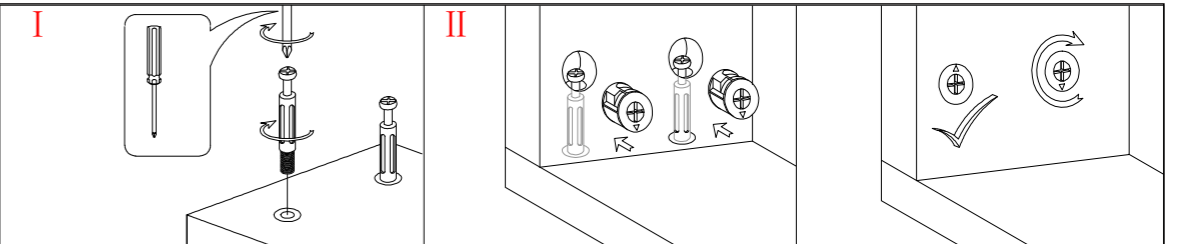


19

PX1

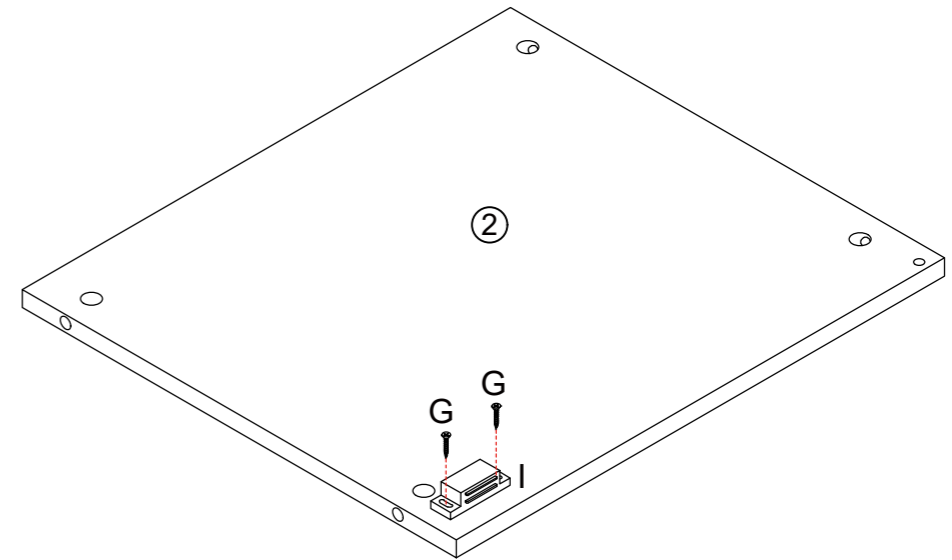


"A&B" Hardware
Assembly example



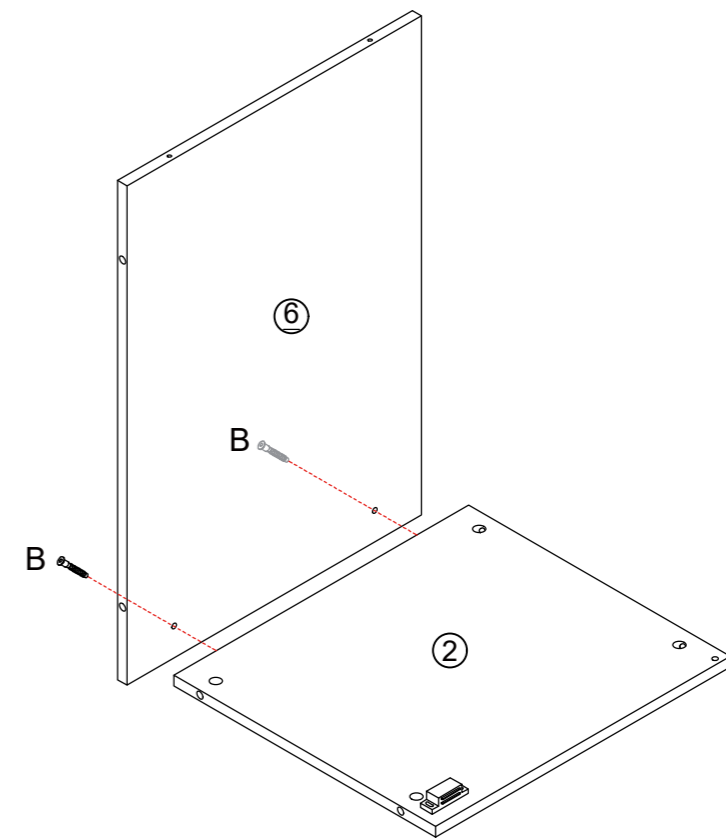
GX2 IX1

1



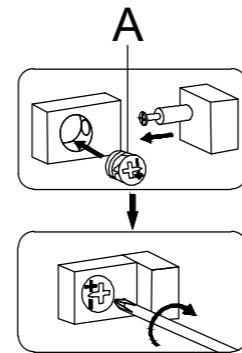
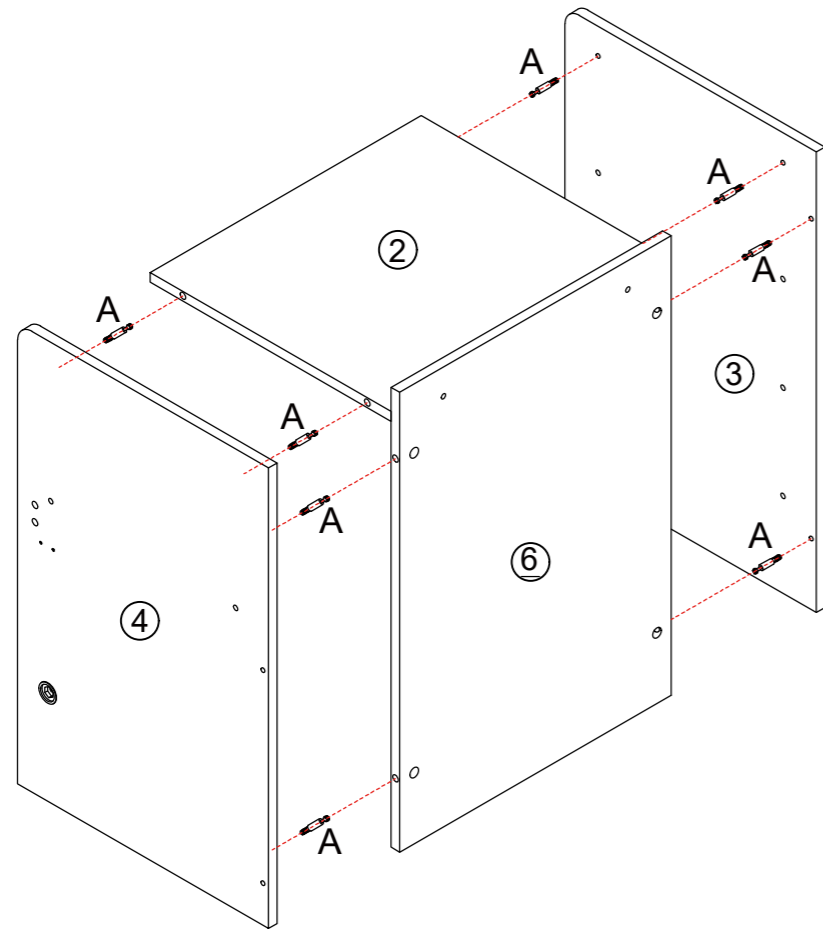
2

BX2



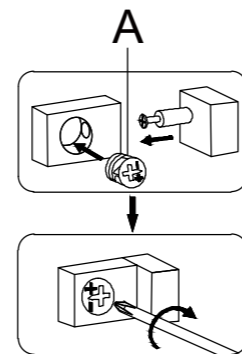
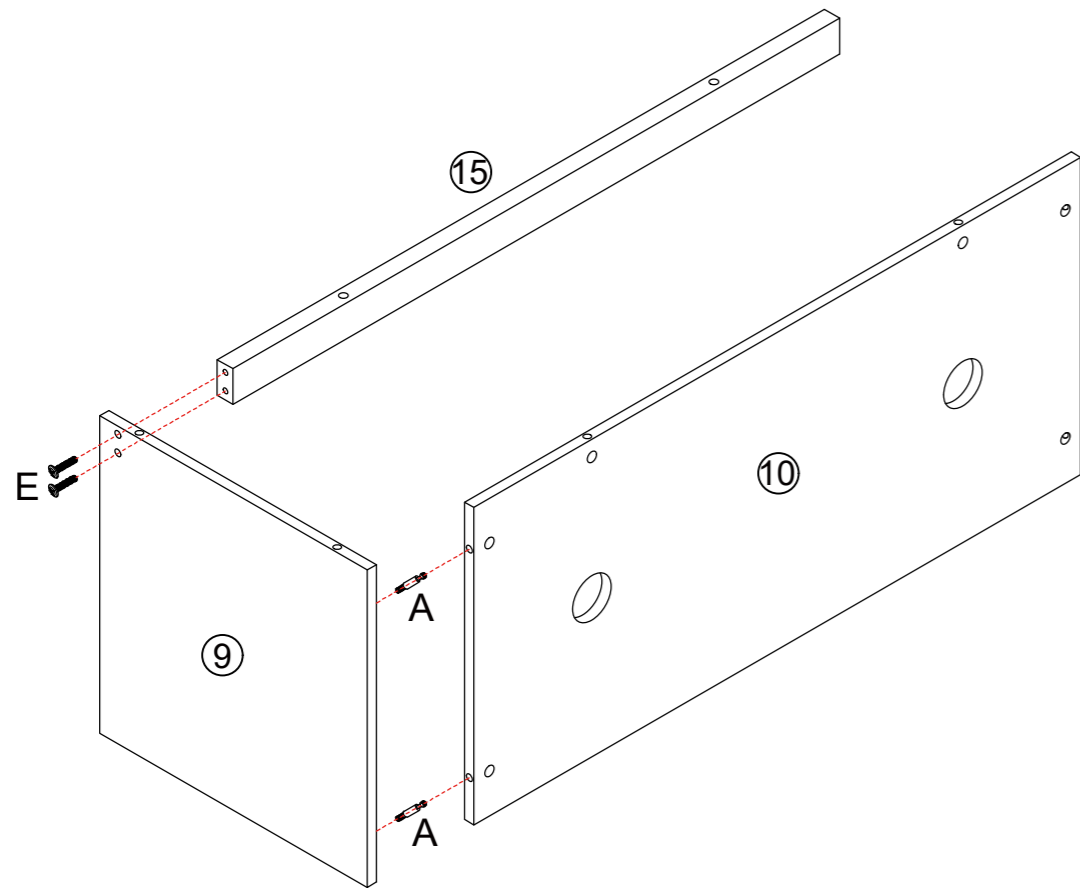
3

AX8



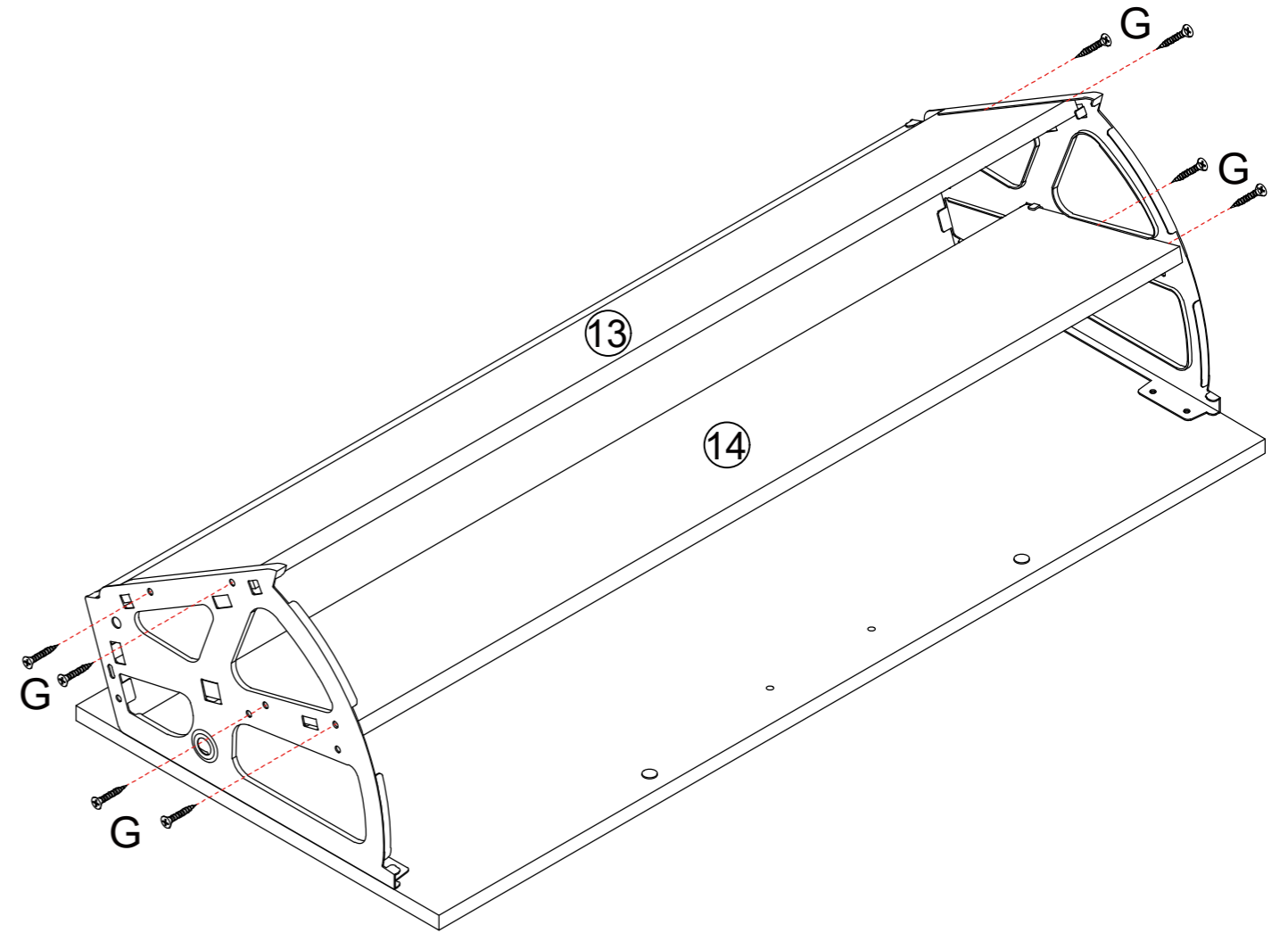
4

AX2 EX2



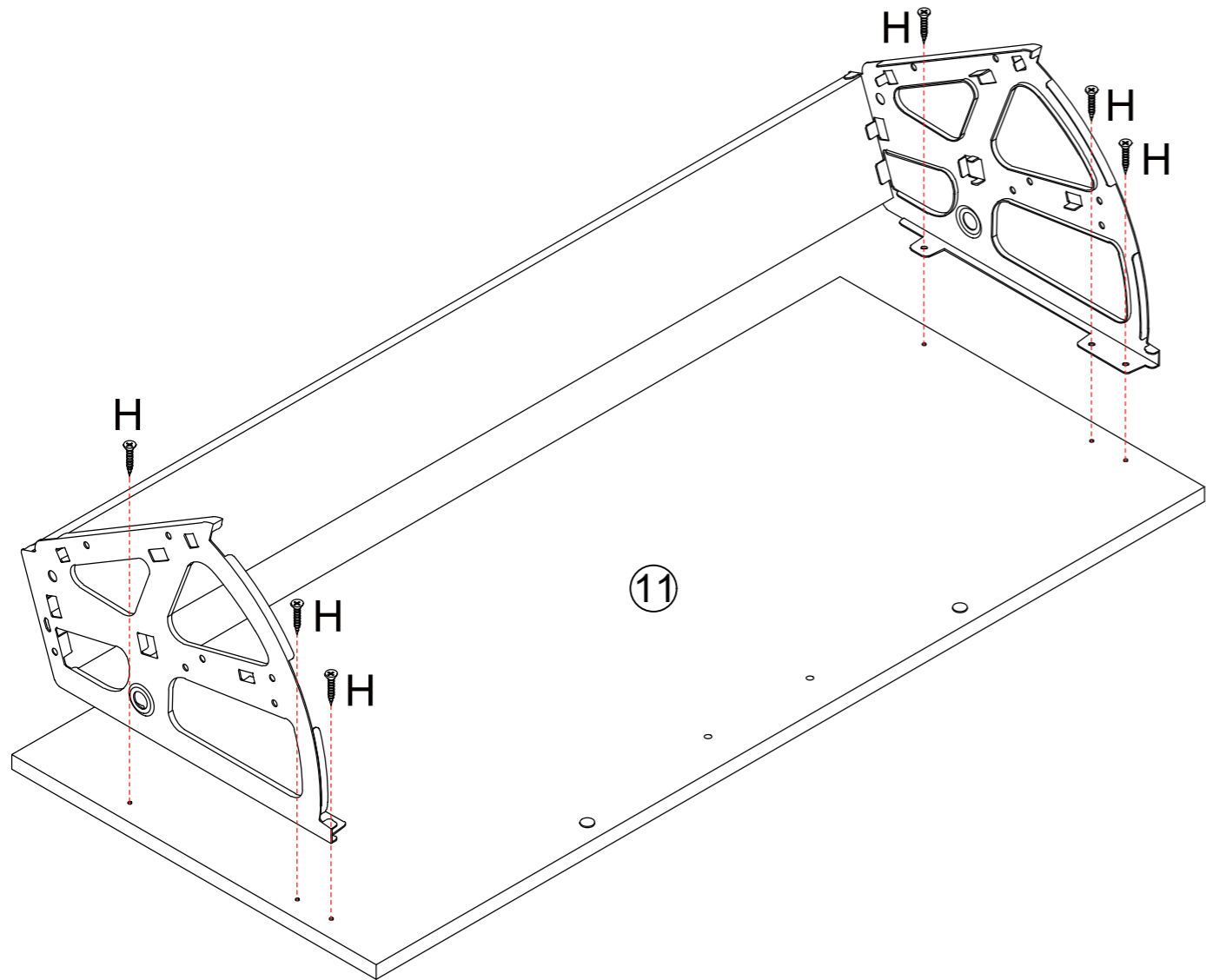
18

GX8



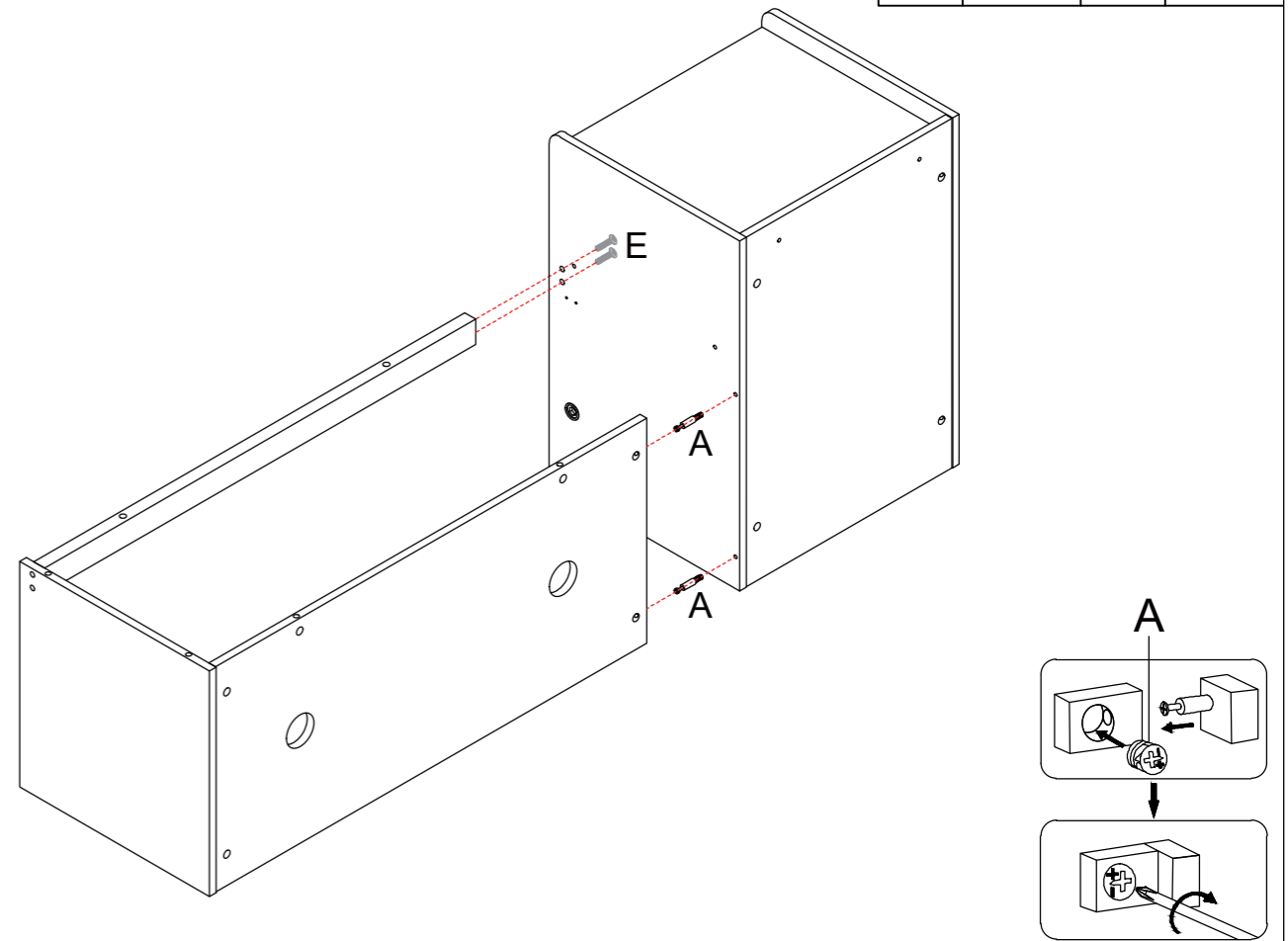
17

HX6



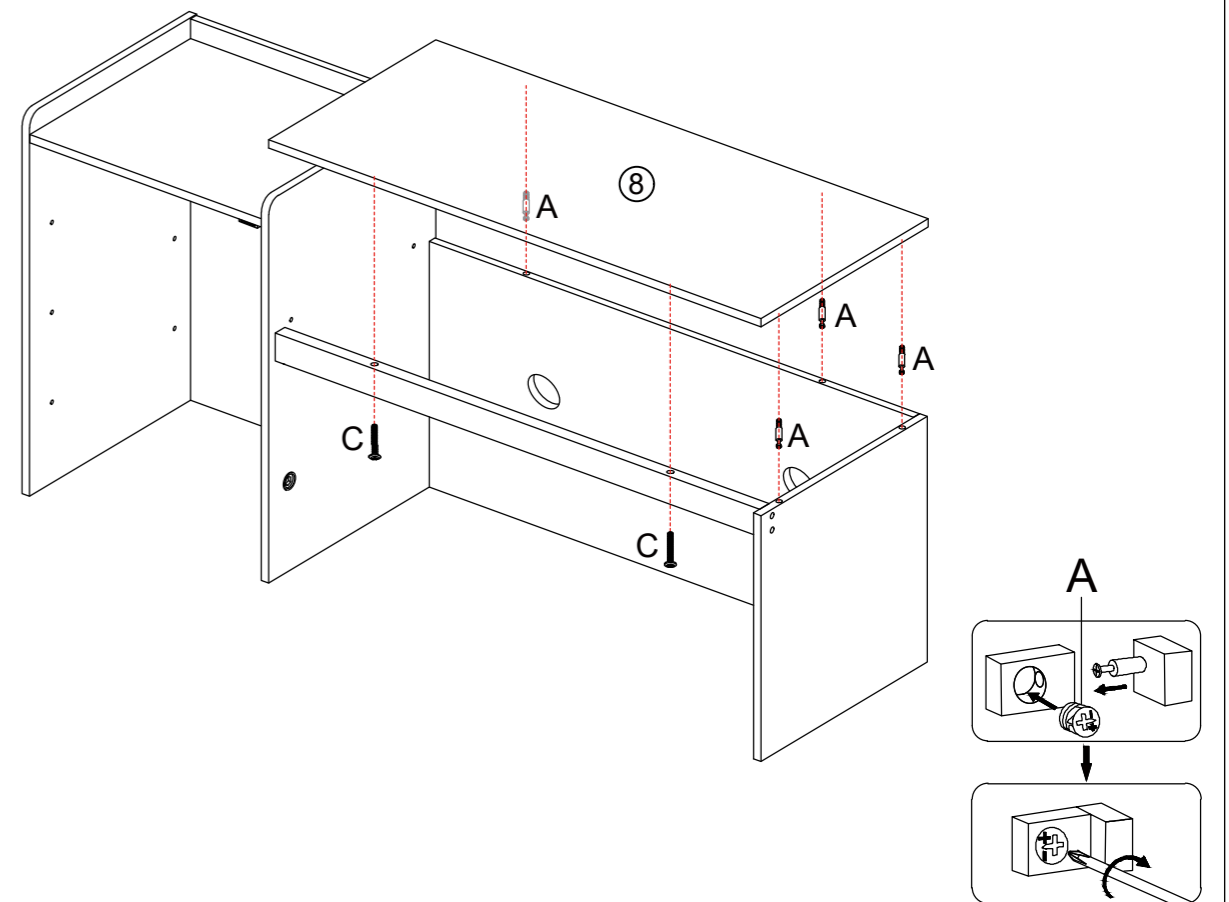
5

AX2 EX2



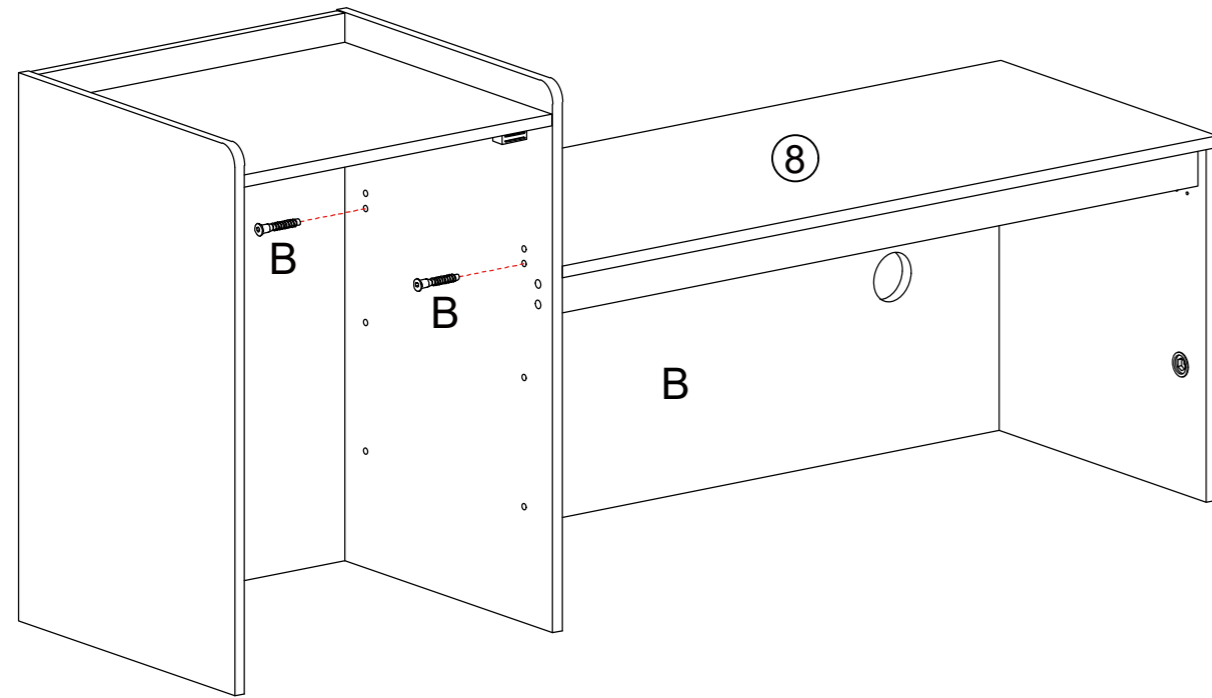
6

AX4 CX2

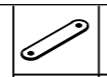
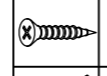
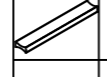



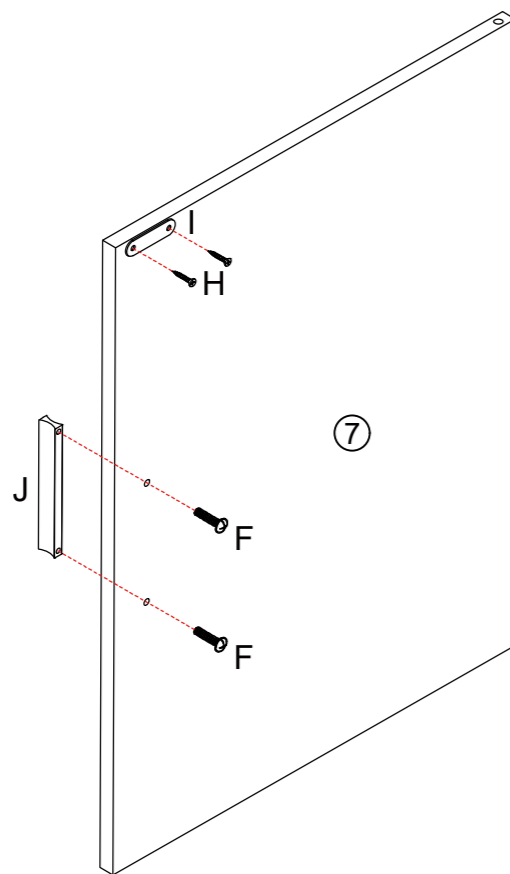
7

 BX2



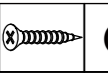


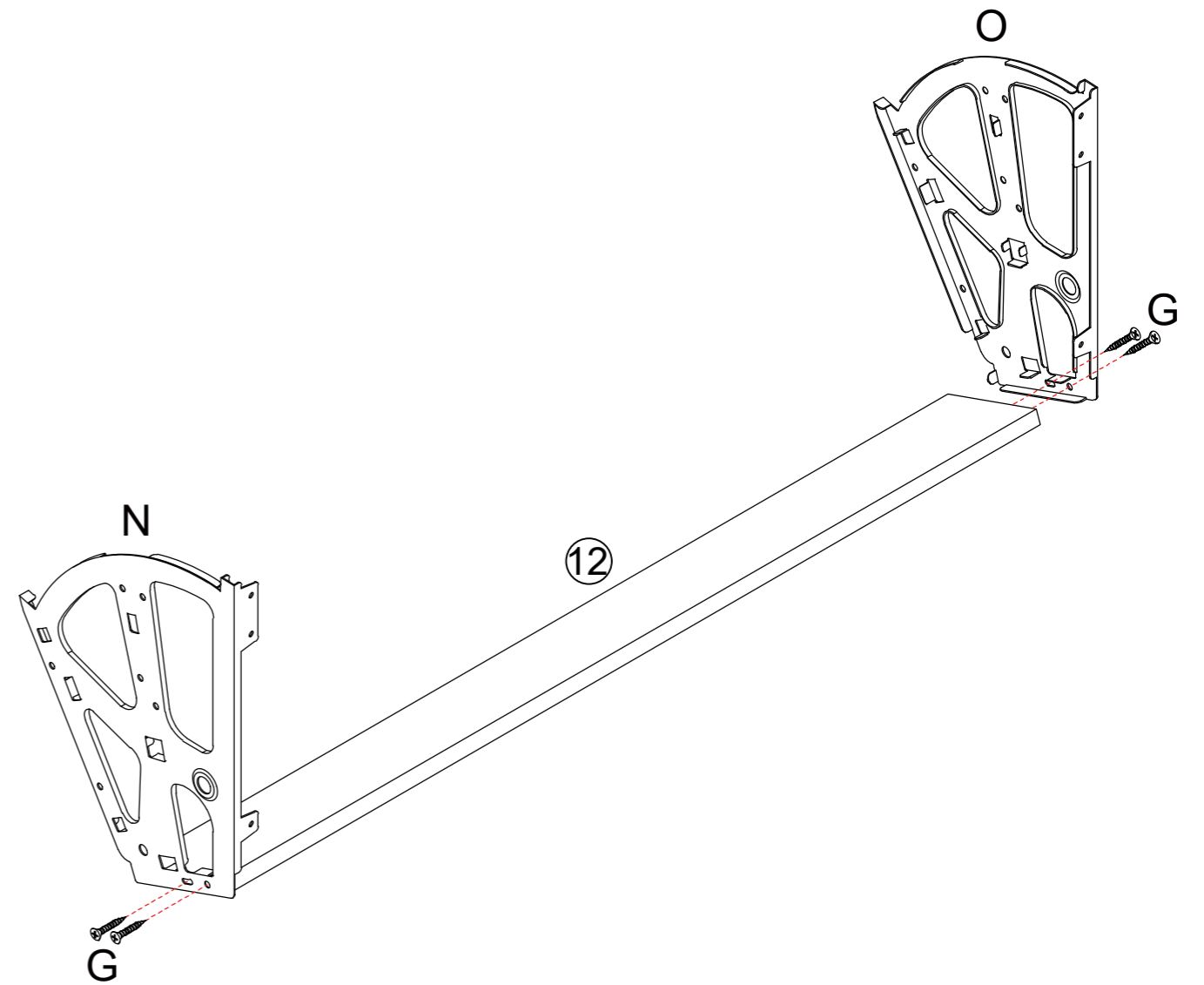
8

 IX1
 HX2
 JX1
 FX2



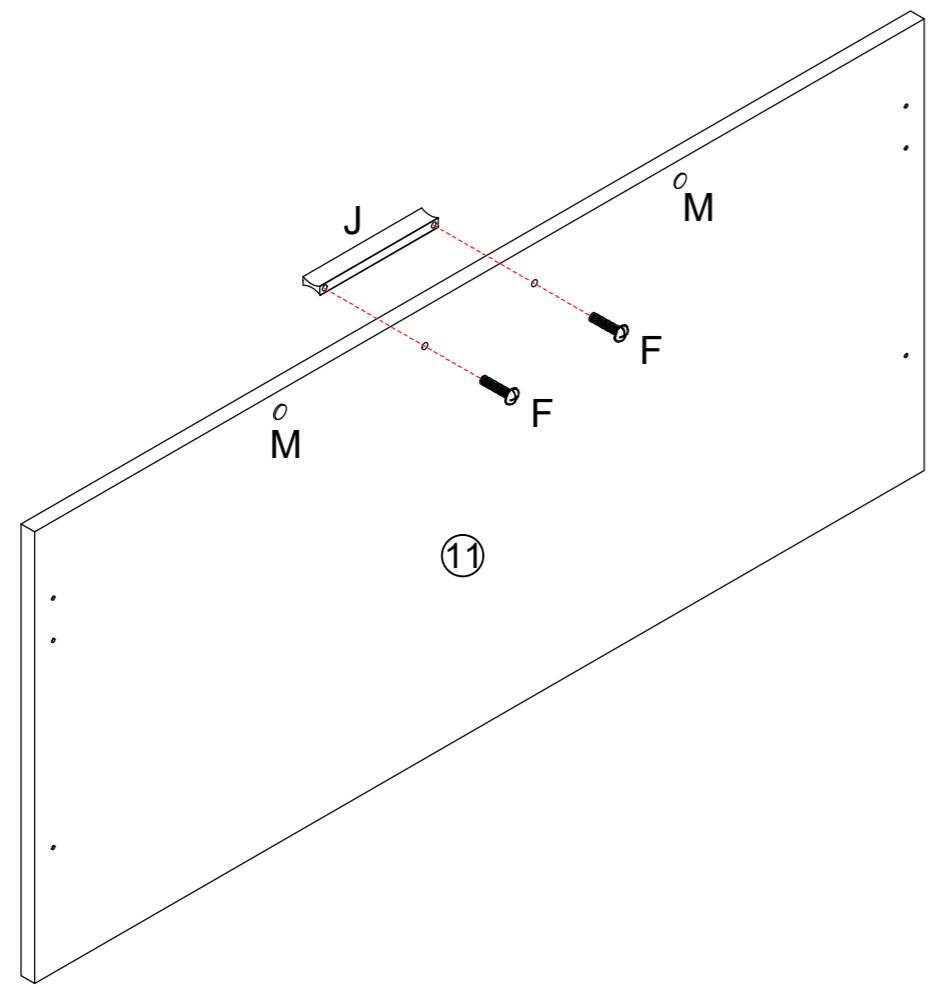
16

 NX1  OX1  GX4






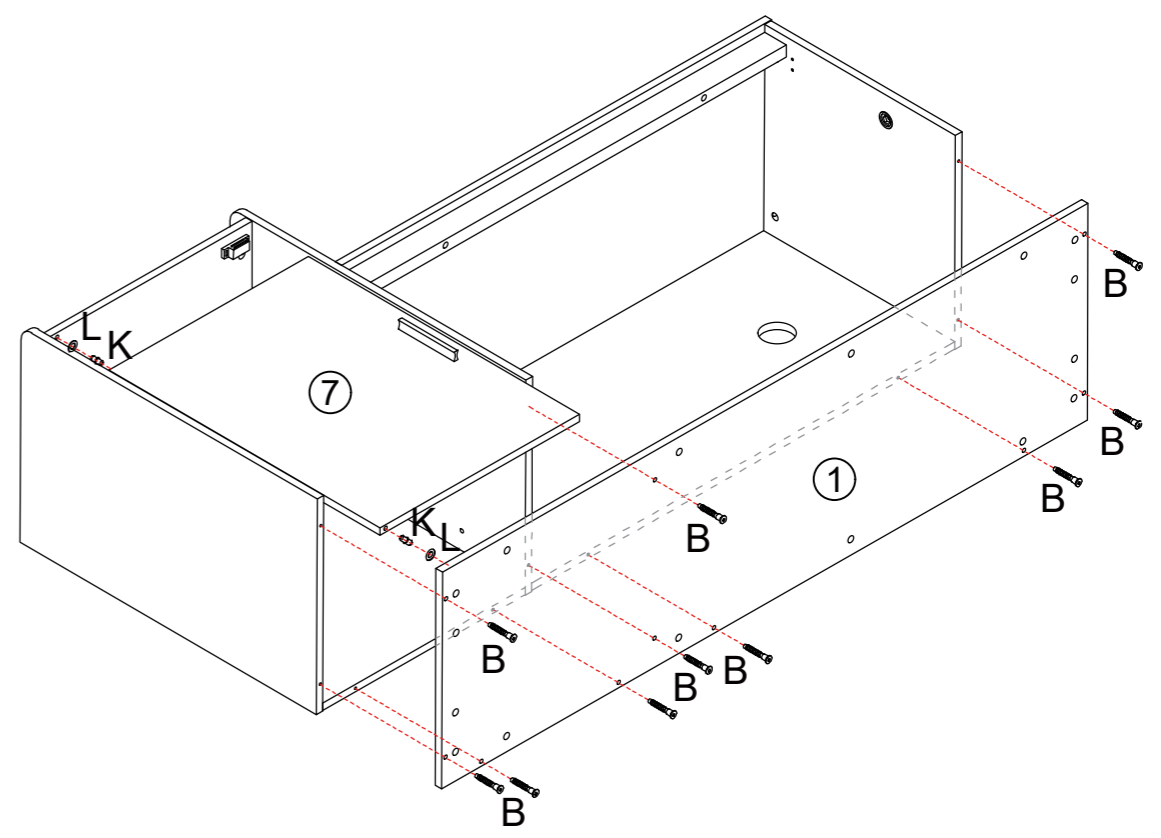
15

	FX2		JX1		MX2
---	-----	---	-----	---	-----




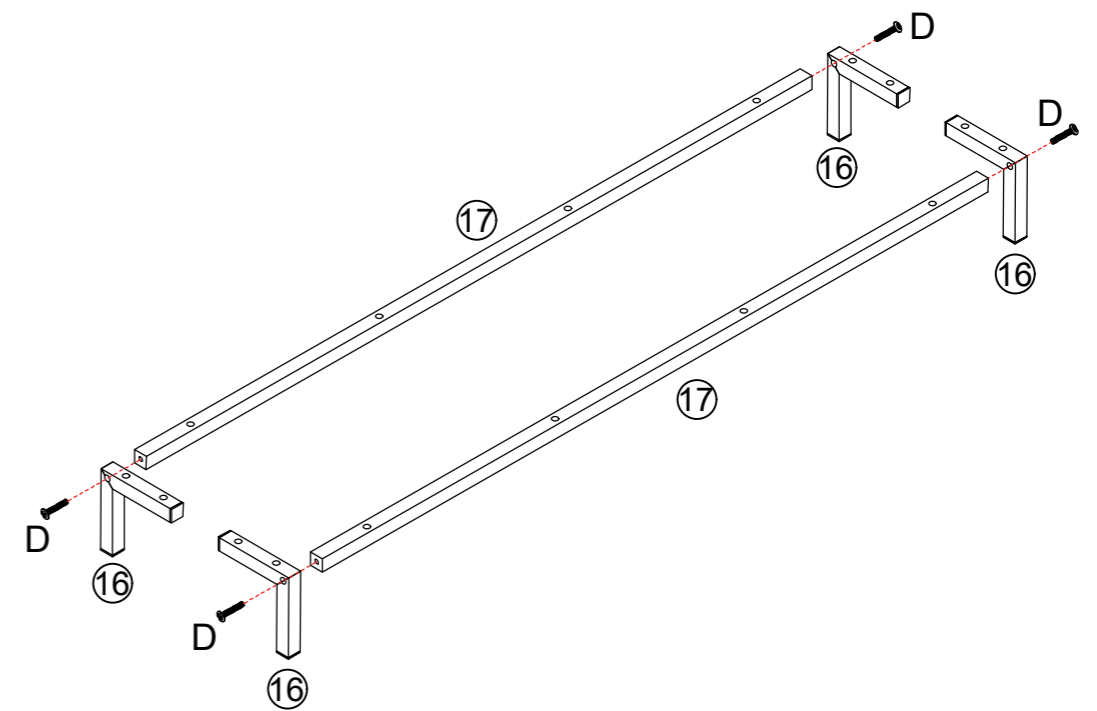
9

	BX10		KX2
	LX2		



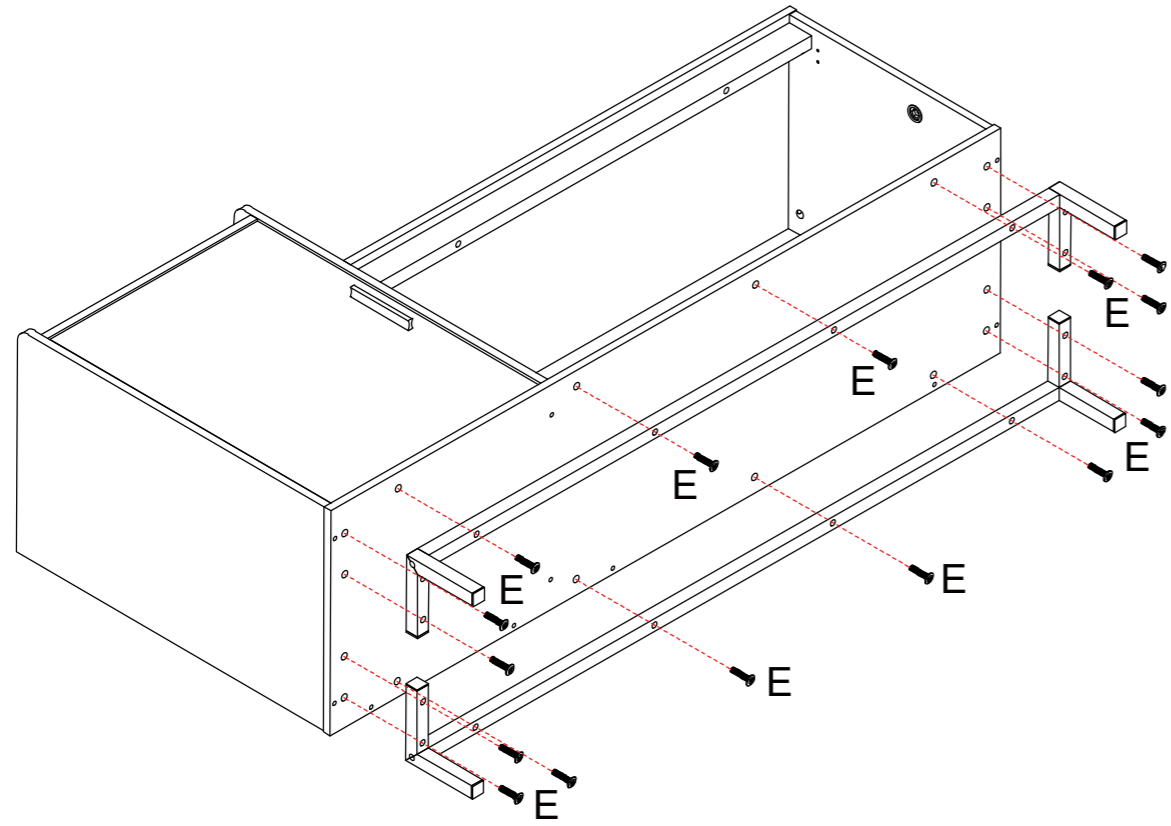
10

	DX4
---	-----

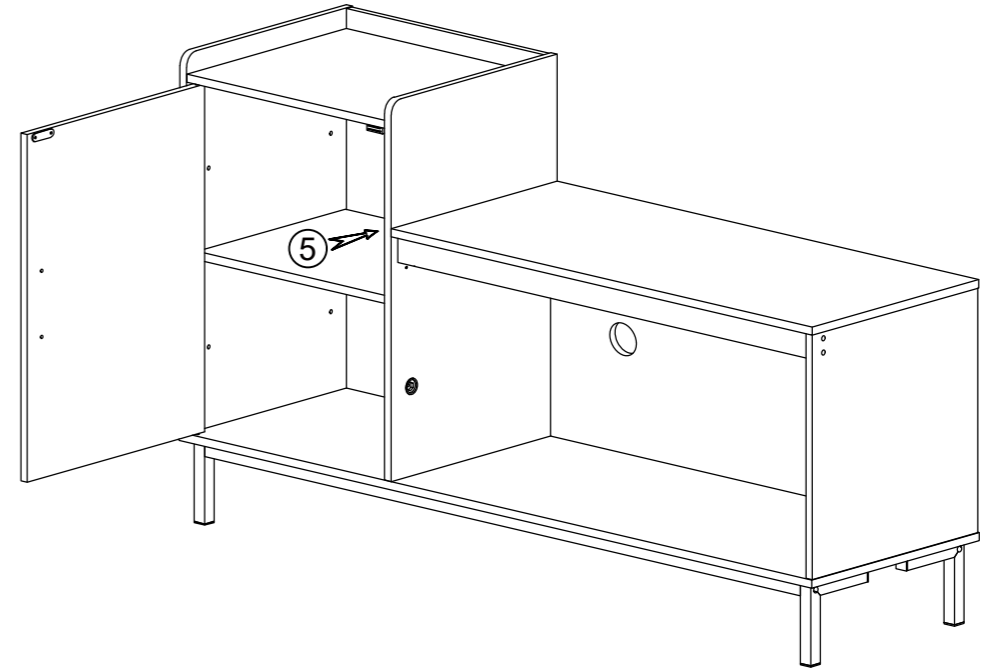


11

EX16

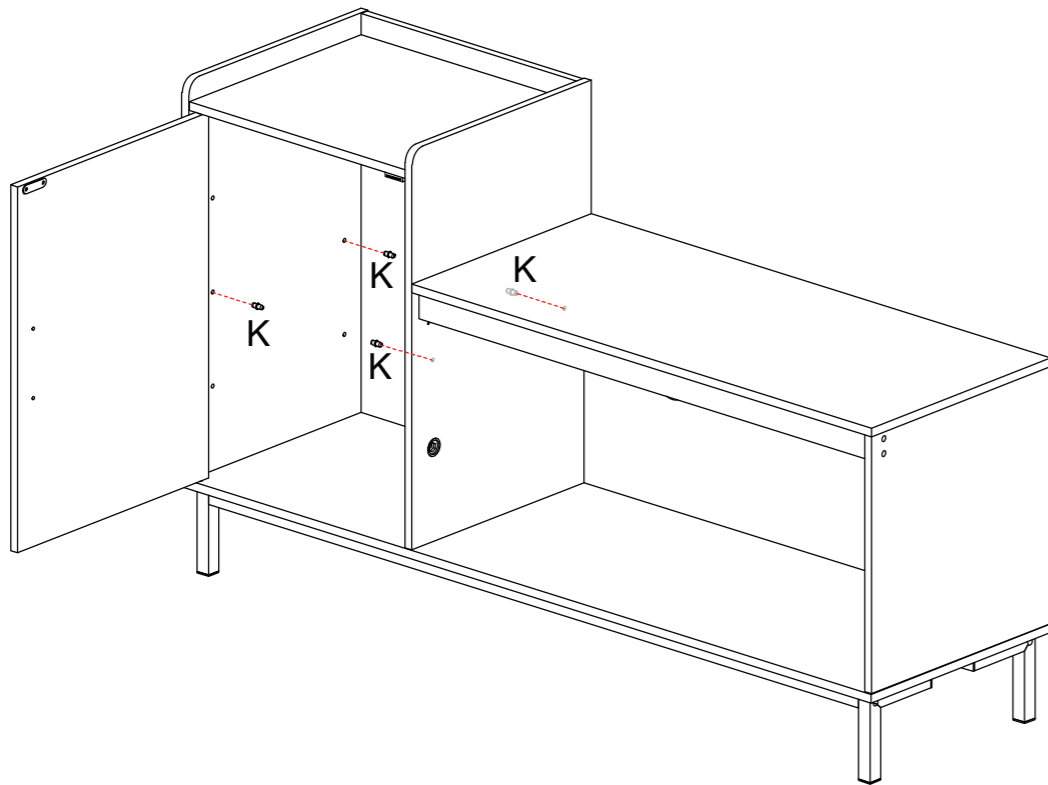


13



12

KX4



14

QX1 HX4

