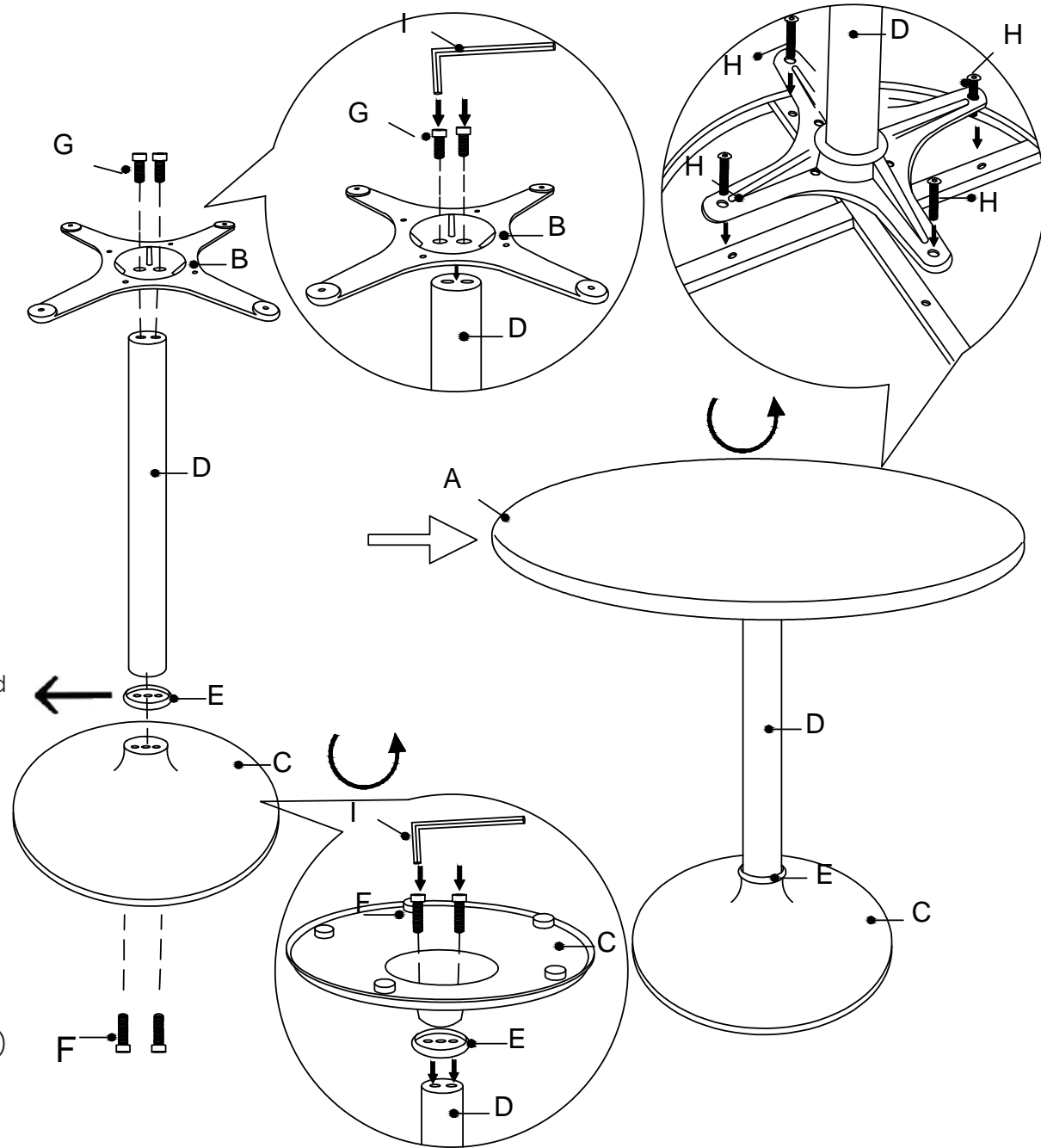



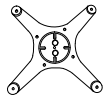



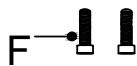



# Assembly Instructions

## JANNIE-30 Round Bar Table

PLEASE NOTE: Check that you have received all components and hardware before assembling. If you are missing any parts, contact your retailer.



**Attention:** Small circle should face up and large circle should face down.

-  A (1 pc)
-  B (1 pc)
-  C (1pc)
-  D (1 pc)
-  E (1 pc)
-  F (2 pcs)
-  G (2 pcs)
-  H (4 pcs)
-  I (2 pcs)  
65x20mm  
80x30mm

During assembly, hand tighten screws only. When the screws are in place, tighten completely.