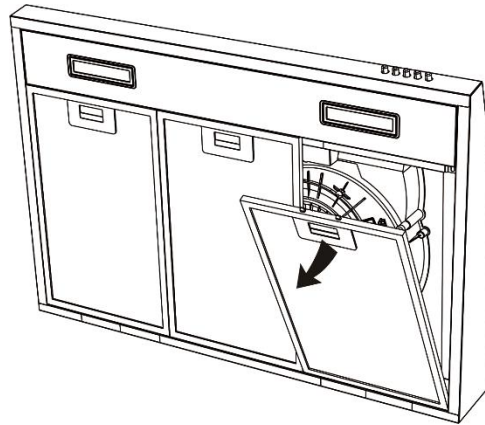
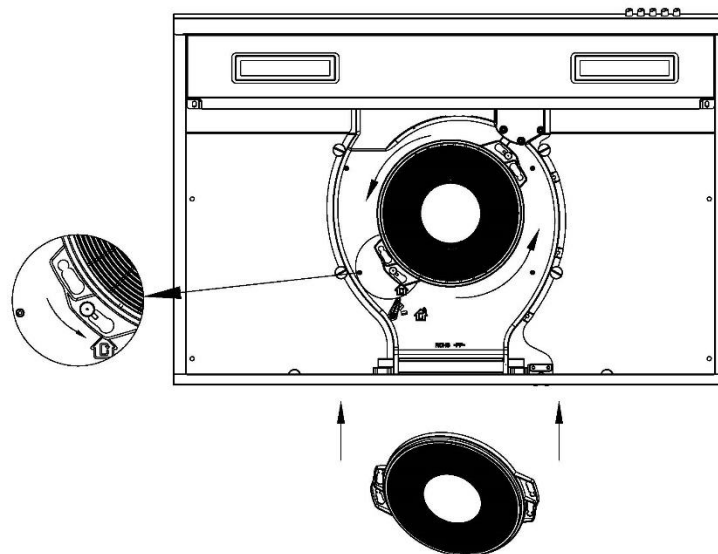


## Activated Carbon Filter Installation :

1. Activated carbon filter can be used to trap odors.  
In order to install the activated carbon filter, the grease filter should be detached first. Press the lock and pull it downward.



2. Plug the activated carbon filter into the blower as shown and turn it in anti-clockwise direction.



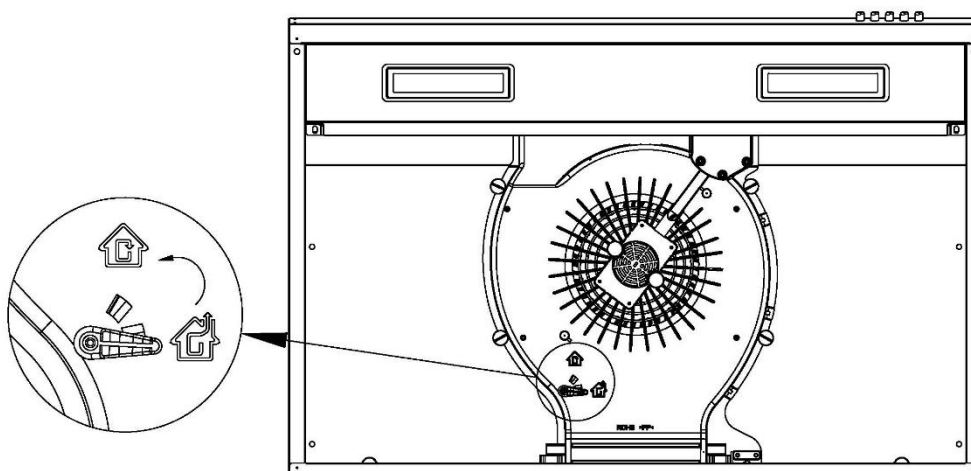
3. Install the grease filter. If replacement, please turn it in clockwise direction.

### NOTE:

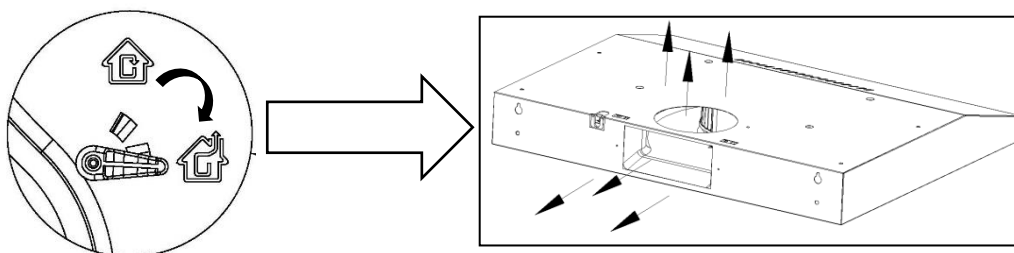
- Make sure the filter is securely locked. Otherwise, it would loosen and cause dangerous.
- When the activated carbon is installed, the suction of the cooker hood will be reduced.

# Installation

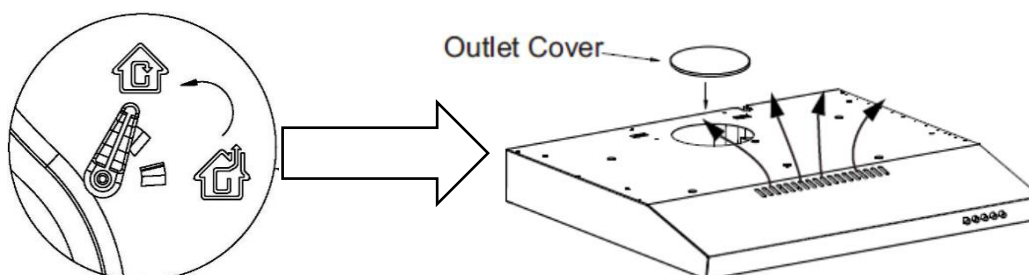
## Air ventilation setting



- Outdoor exhausting: Turn the adjuster to outdoor position, install the outlet, turn on the cooker hood, then the air will be vented from the outside outlet.



- Recycling: the recycling mode with activated carbon filter, Turn the adjuster to indoor position, install the outlet cover, turn on the cooker hood, then the air can be vented from the inside outlet.



### NOTE:

- The activated carbon filter should be changed every 3 months depending on the conditions of use.
- The charcoal cannot be washed or recycled, the carbon filter shouldn't be exposed to heat.