

NOTICE

- * Please make sure that you have all parts indicated and they are in good condition on before you begin assembly of this item. Refer to part list and hardware list below for guidance.
- * This item should be assembled on a soft surface to prevent scratching the finish during assembly.
- * This item may require periodic tightening.
- * If you are having difficulty, our friendly Customer Care team is always here to help. Please email customersupport@safavieh.com



















PREPARATION

- * Before beginning assembly of product, make sure all parts are present. Compare parts with part contents list and hardware contents list.
- * If any part is missing or damaged, do not attempt to assemble the product.
- * Tools Required for Assembly (included): Allen Key
- * Estimated Assembly Time: 20 minutes.

CARE AND MAINTENANCE

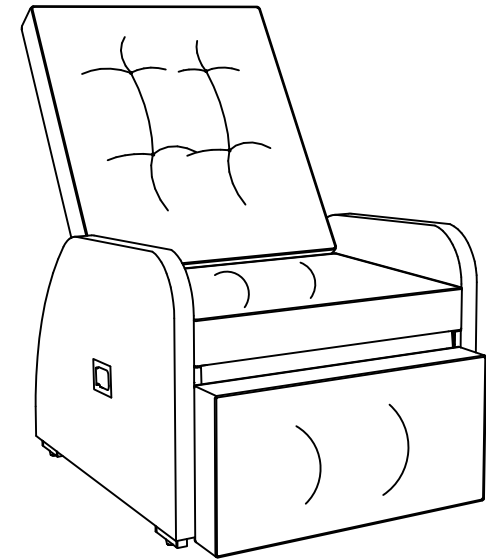
Store outdoor furniture indoors or cover well when not in use. Dust regularly with small brush or vacuum. Spills should be taken care of immediately before they harden or stain with a slightly damp sponge.

Part List and Hardware List

PIECE	DESCRIPTION	PICTURE	QUANTITY				
(A)	Right arm		1x	HW1	Bolt M6x20mm		12x
(B)	Left arm		1x	HW2	Bolt M6x40mm		4x
(C)	Chair front panel		1x	HW3	Bolt M8x20mm		6x
				HW4	Bolt M8x40mm		2x
(D)	Chair backrest		1x	HW5	Flat washers Ø6x14x1mm		16x
(E)	Chair brace		3x	HW6	Flat washers Ø8x16x1mm		22x
(F)	Chair seat base		1x	HW7	Plastic washers Ø8x16x5mm		2x
				HW8	Nut M8		8x
(G)	Chair control bar		2x	HW9	Allen key 4x98mm		2x
				HW10	Wrench		1x
(H)	Chair cushion		1x				

SAFAVIEH OUTDOOR

MODEL# PAT6906
 PRODUCT DIMENSIONS:
 Millman Recliner Chair :
 28.35"L x 30.31/58.66"W x 40.16/24.41"H

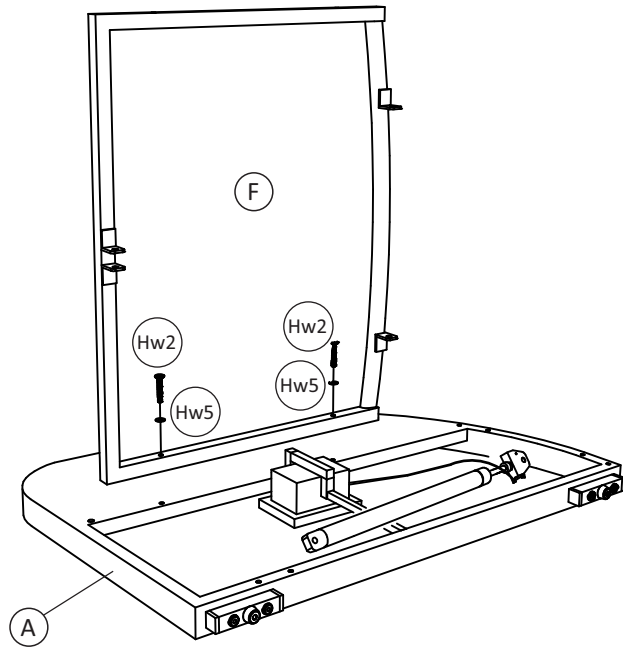


Weight load: 275 Lbs (single seat)
Warning: Do not stand on the chair
Warning: Do not over torque bolts/screws

PREPARATION

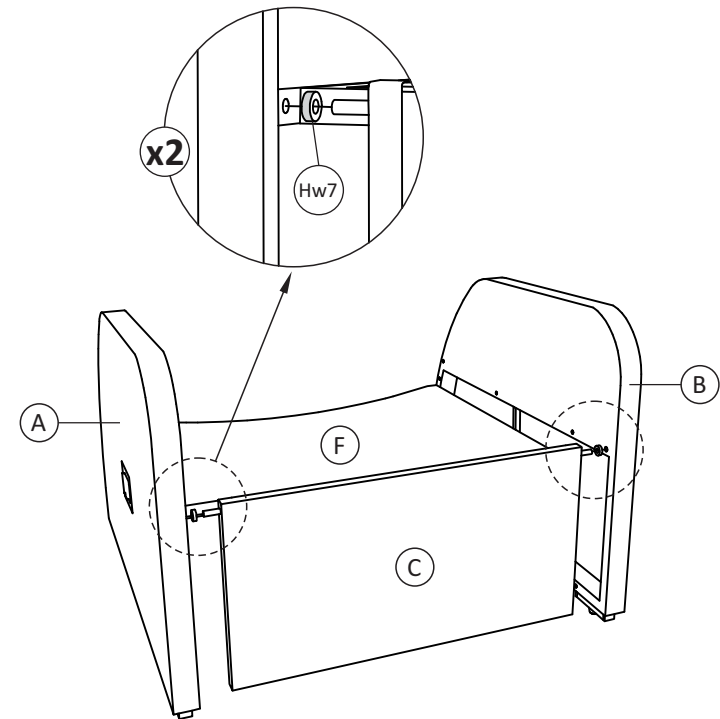
- * Before beginning assembly of product, make sure all parts are present. Compare parts with part contents list and hardware contents list.
- * If any part is missing or damaged, do not attempt to assemble the product.
- * Estimated Assembly Time: 20 minutes.
- * Tools Required for Assembly (included): Allen Key
- * If you are having difficulty, our friendly Customer care team is always here to help. Please email customersupport@safavieh.com

1



STEP 1: Assemble Right side (A) with Chair seat base (F) by Bolt (HW2) and Fat washer (HW5) and using Allen key (HW9) to fit.

2

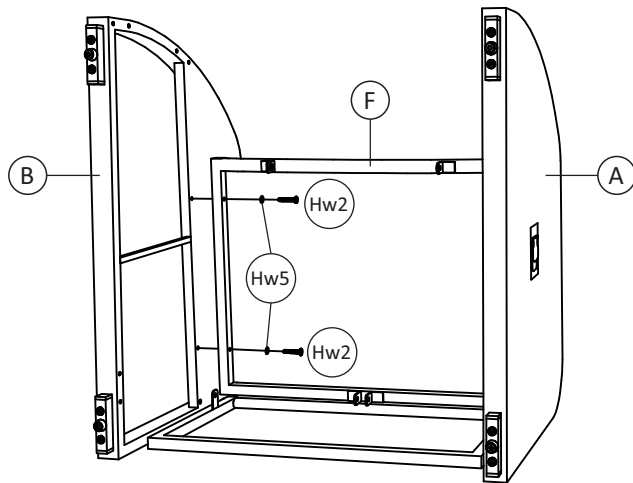


STEP 2: Assemble Left arm (B) and Chair front panel (C) into the whole frame of Step 1 by Plastic washer (HW7) to fit.

PREPARATION

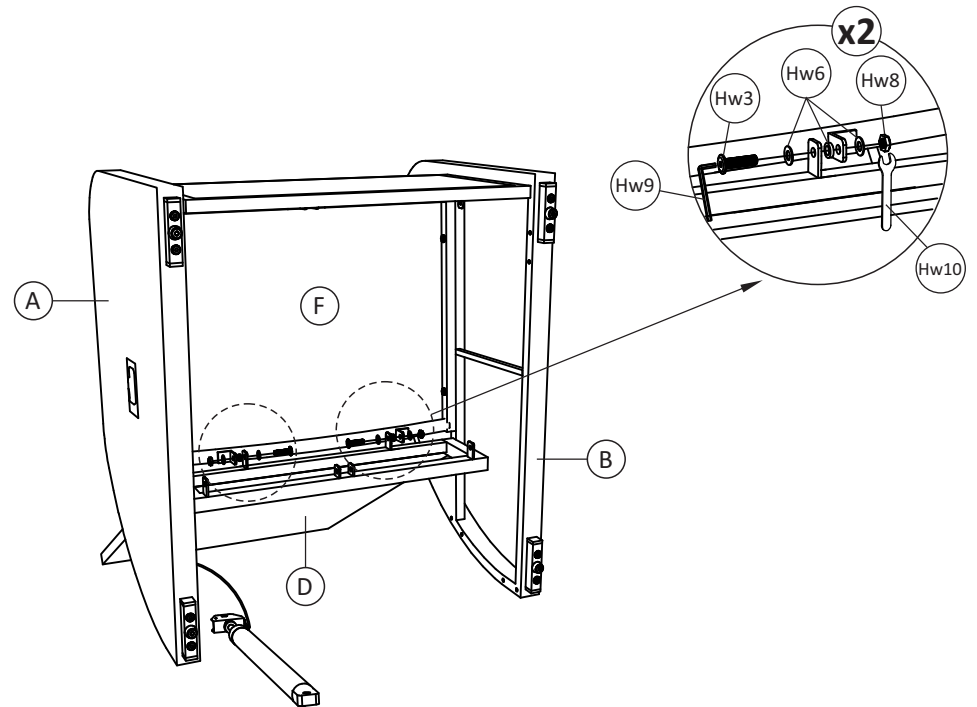
- * Before beginning assembly of product, make sure all parts are present. Compare parts with part contents list and hardware contents list.
- * If any part is missing or damaged, do not attempt to assemble the product.
- * Estimated Assembly Time: 20 minutes.
- * Tools Required for Assembly (included): Allen Key
- * If you are having difficulty, our friendly Customer care team is always here to help. Please email customersupport@safavieh.com

3



STEP 3: After finishing at Step 4, assemble the Chair seat base (F) into the Left arm by Bolt (HW2) and Flat washer (HW5) and using Allen key (HW9) to fit.

4

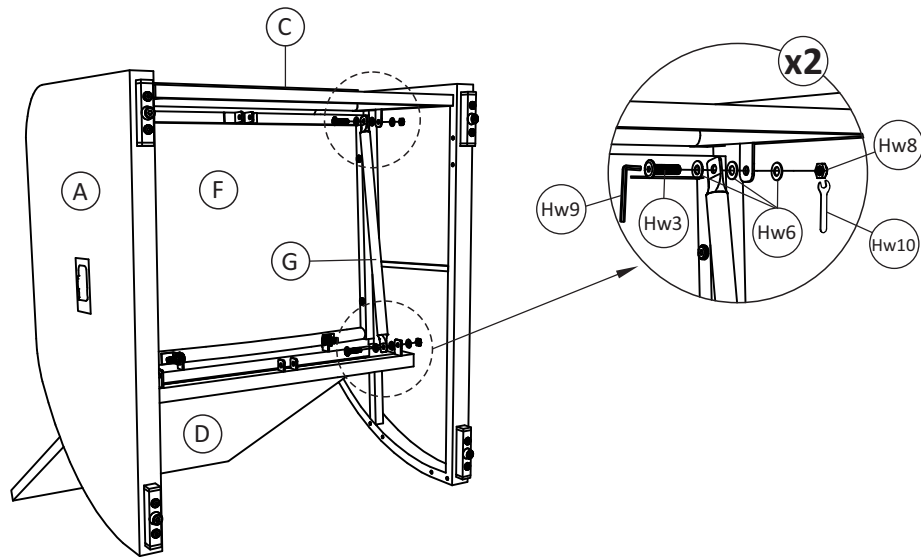


STEP 4: After finishing at Step3, assemble the Chair backrest (D) into the Chair seat base by Bolt (HW3), Flat washer (HW6) and Nut M8 (HW8) and using Allen key (HW9) and Wrench (HW10) to fit.

PREPARATION

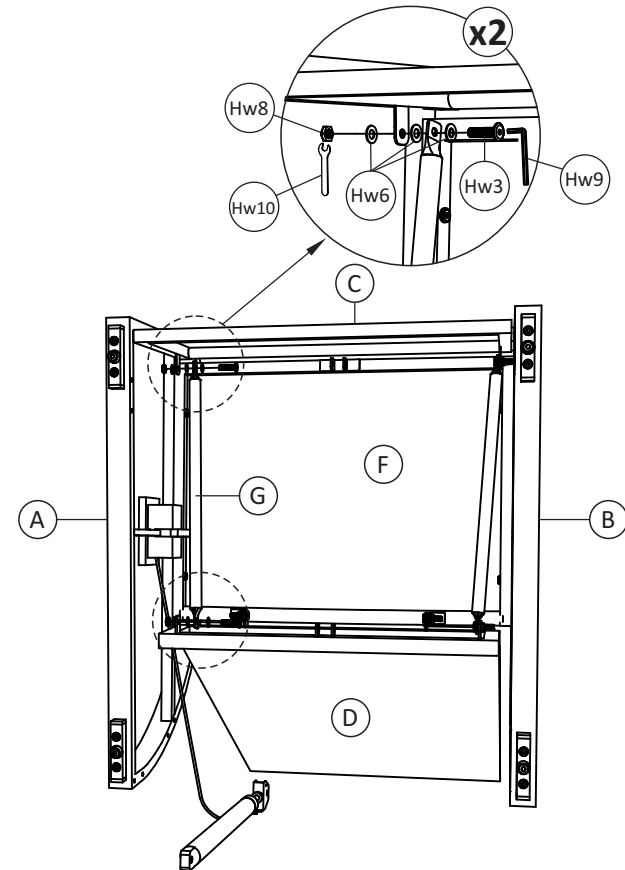
- * Before beginning assembly of product, make sure all parts are present. Compare parts with part contents list and hardware contents list.
- * If any part is missing or damaged, do not attempt to assemble the product.
- * Estimated Assembly Time: 20 minutes.
- * Tools Required for Assembly (included): Allen Key
- * If you are having difficulty, our friendly Customer care team is always here to help. Please email customersupport@safavieh.com

5



STEP 5: After finishing at Step 4, assemble the Chair control bar (G) into the Chair front panel (C) and Chair backrest (D) by Bolt (HW3), Flat washer (HW6) and Nut M8 (HW8) and using Allen key (HW9) and Wrench (HW10) to fit.

6

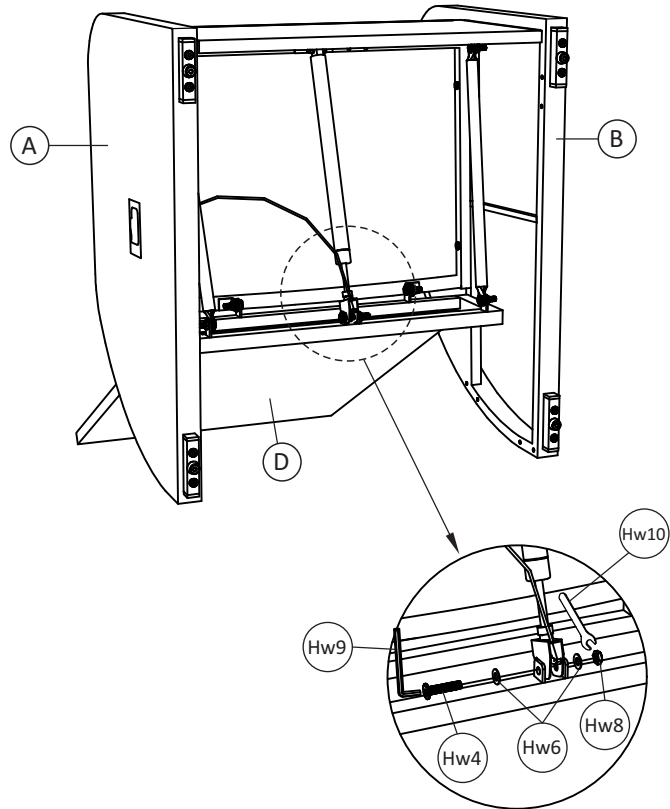


STEP 6: After finishing at Step 5, assemble the Chair control bar (G) into the Chair front panel (C) and Chair backrest (D) by Bolt (HW3), Flat washer (HW6) and Nut M8 (HW8) and using Allen key (HW9) and Wrench (HW10) to fit.

PREPARATION

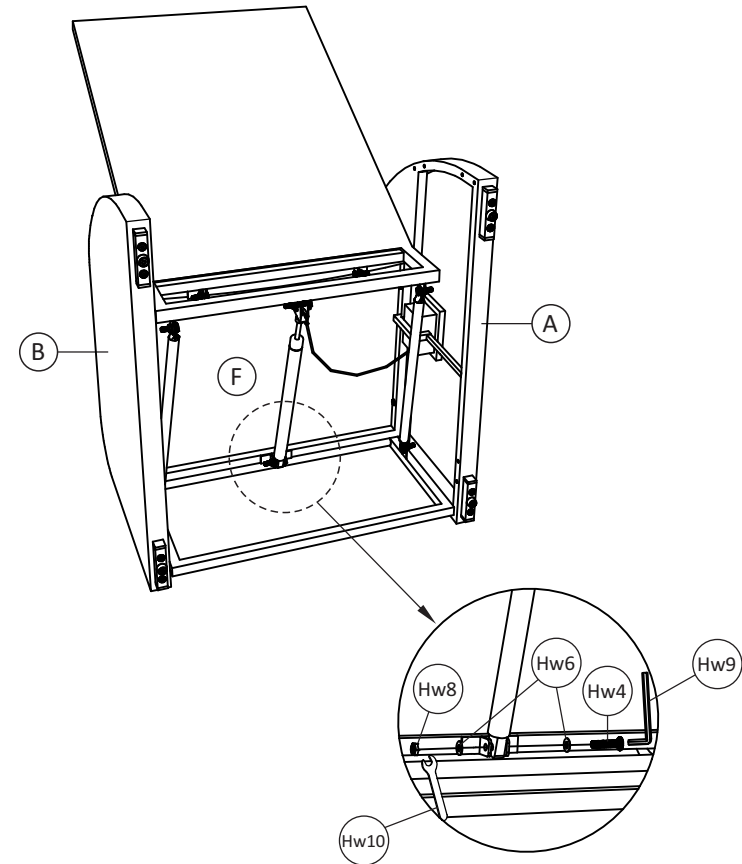
- * Before beginning assembly of product, make sure all parts are present. Compare parts with part contents list and hardware contents list.
- * If any part is missing or damaged, do not attempt to assemble the product.
- * Estimated Assembly Time: 20 minutes.
- * Tools Required for Assembly (included): Allen Key
- * If you are having difficulty, our friendly Customer care team is always here to help. Please email customersupport@safavieh.com

7



STEP 7: After finishing at Step 6, Carefully install the Gas lift of the Right arm (A) into the PAT of the Chair backrest (D) by Bolt (HW4), Flat washer (HW6) and Nut M8 (HW8) and using Allen key (HW9) and Wrench (HW10) to fit.

8

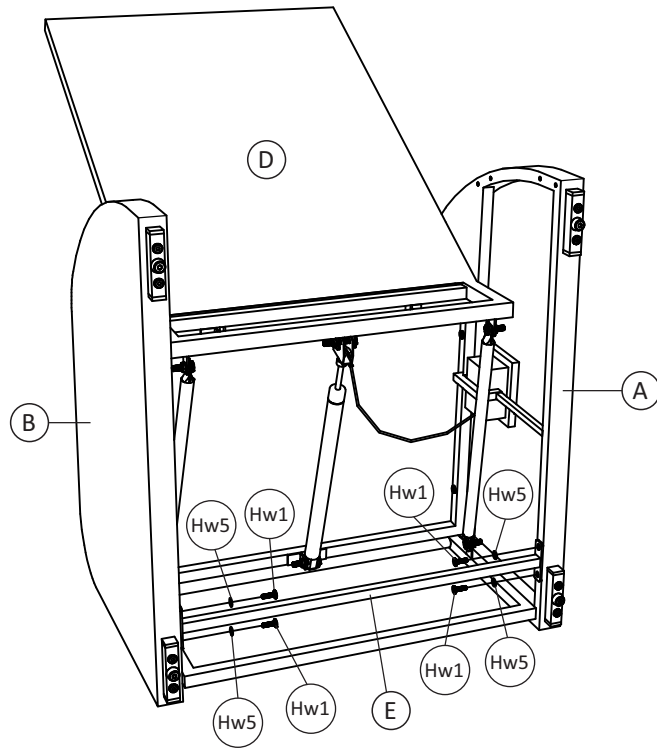


STEP 8: After finishing at Step 9, Carefully install the Gas lift of the Right arm (A) into the PAT of the Chair seat base (F) by Bolt (HW4), Flat washer (HW6) and Nut M8 (HW8) and using Allen key (HW9) and Wrench (HW10) to fit.

PREPARATION

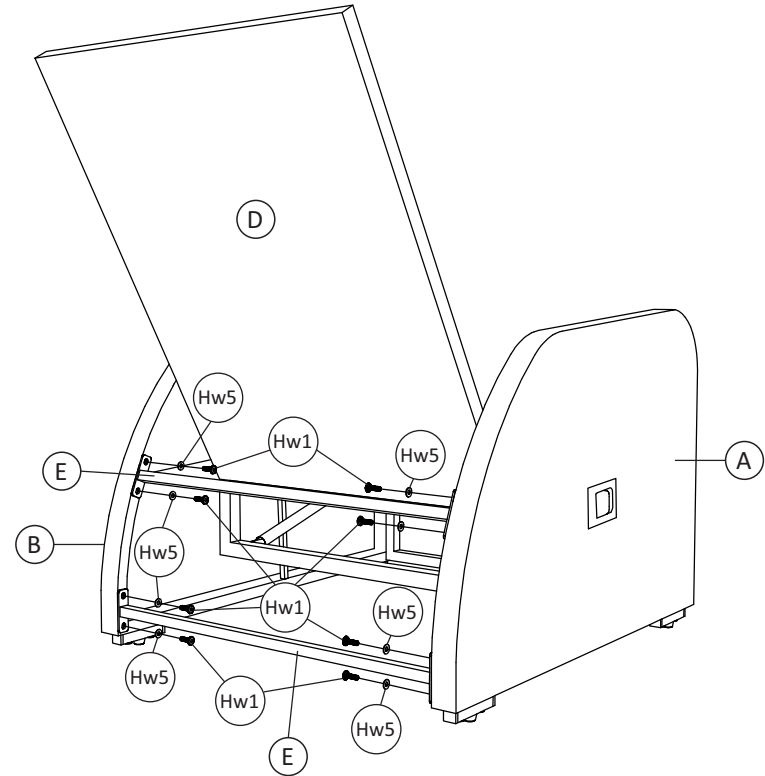
- * Before beginning assembly of product, make sure all parts are present. Compare parts with part contents list and hardware contents list.
- * If any part is missing or damaged, do not attempt to assemble the product.
- * Estimated Assembly Time: 20 minutes.
- * Tools Required for Assembly (included): Allen Key
- * If you are having difficulty, our friendly Customer care team is always here to help. Please email customersupport@safavieh.com

9



STEP 9: After finishing at Step 8, assemble the Chair brace frame (E) with Right arm (A) and by Left arm (B) Bolt (HW1) and Flat washer (HW5) and using Allen key (HW9) to fit.

10

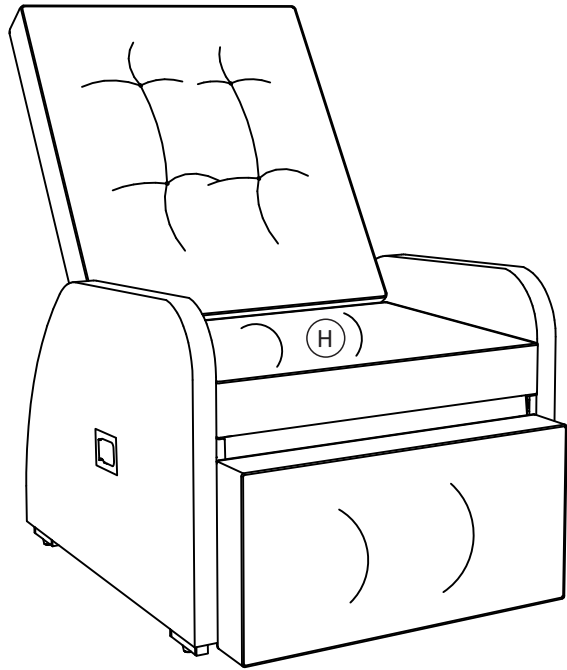


STEP 10: After finishing at Step 9, assemble 2 the Chair braces frame (E) with Right arm (A) and by Left arm (B) Bolt (HW1) and Flat washer (HW5) and using Allen key (HW9) to fit.

PREPARATION

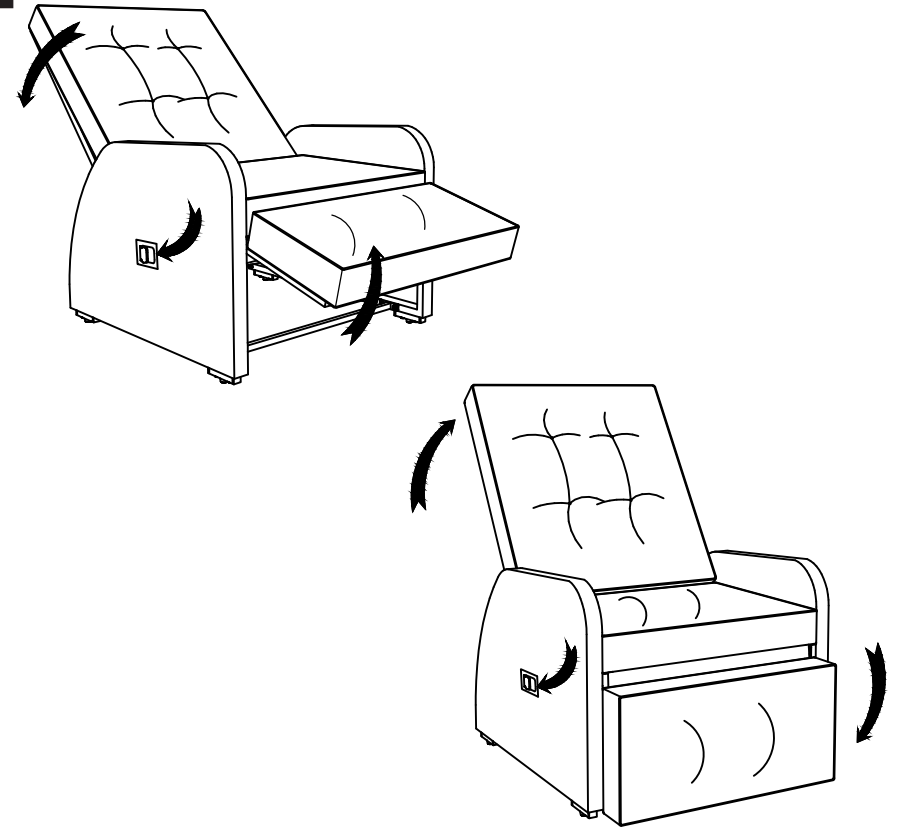
- * Before beginning assembly of product, make sure all parts are present. Compare parts with part contents list and hardware contents list.
- * If any part is missing or damaged, do not attempt to assemble the product.
- * Estimated Assembly Time: 20 minutes.
- * Tools Required for Assembly (included): Allen Key
- * If you are having difficulty, our friendly Customer care team is always here to help. Please email customersupport@safavieh.com

11



STEP 11: Put the Chair cushion (H) on the chair.

12



STEP 12: Push back or forward by pulling the lock box on the Right arm (A).