

WARNING!!

Children have died from furniture tipover. Tip restraints have been included with this product; you must install the tip restraints according to these instructions in order to minimize the risk of furniture tipping. If you have any questions about this product or the tip restraint, please send us an email at tip_restraint_help@Noblehousefurniture.com

NEVER allow children to climb or hang on furniture, including drawers or cabinet doors.

In addition to installing the restrains, to help prevent tip-over

1. **NEVER** put a TV or other heavy objects on top of this product".
2. Do not stand on the product

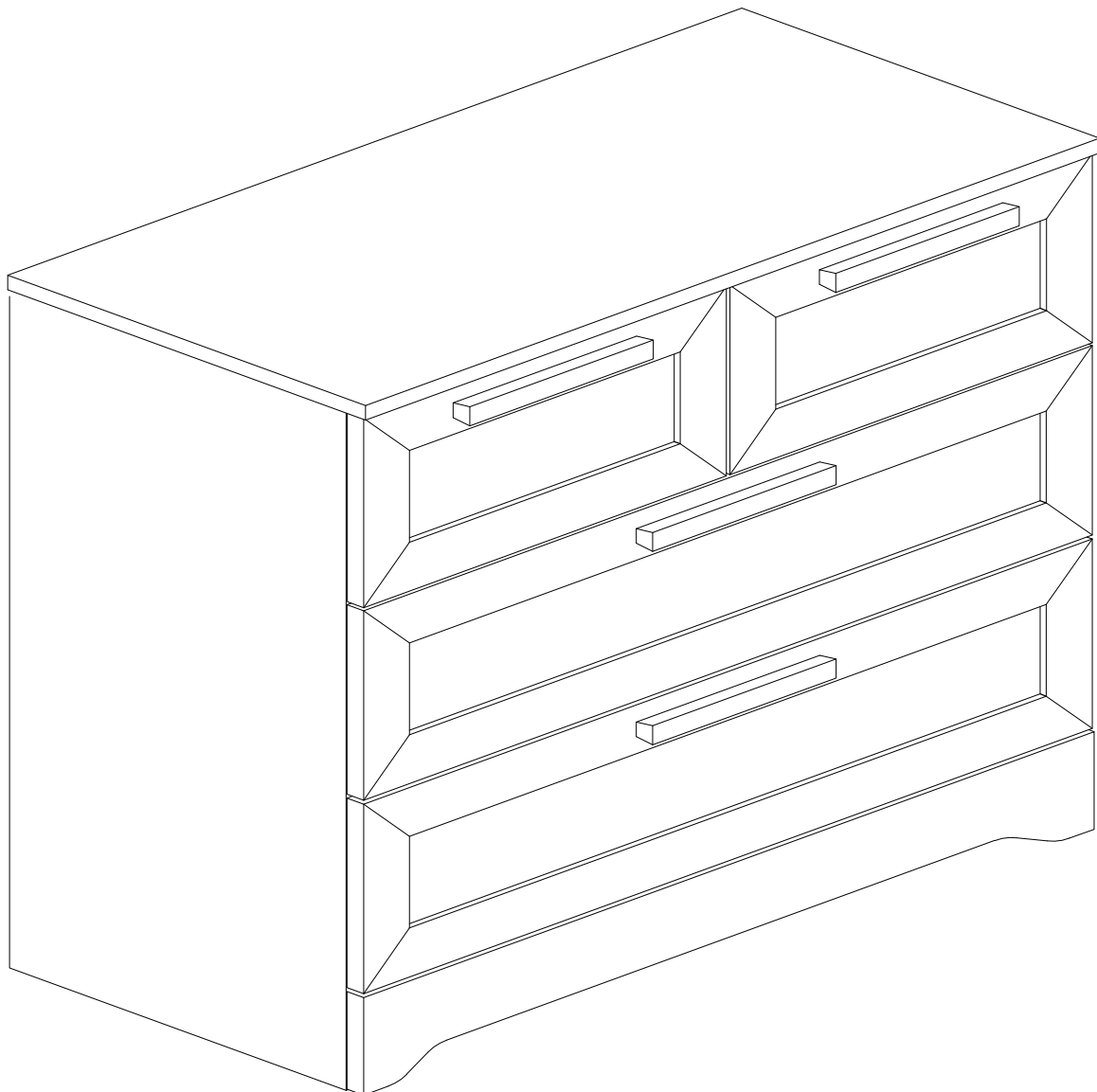
	<p>Children have died from furniture tipover. To reduce the risk of furniture tipover:</p> <ul style="list-style-type: none">• ALWAYS install tipover restraint provided.• NEVER put a TV on this product.• NEVER allow children to stand, climb or hang on drawers, doors, or shelves.• NEVER open more than one drawer at a time.• Place heaviest items in the lowest drawers.• Do not defeat or remove the drawer interlock system. <p><i>This is a permanent label. Do not remove!</i></p>
	

Assembly Instructions

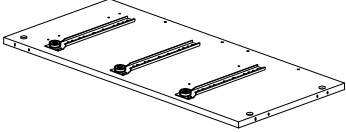
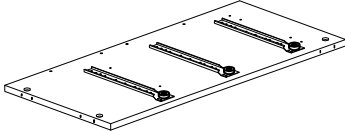
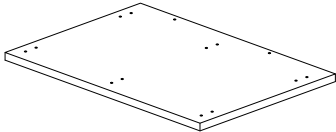
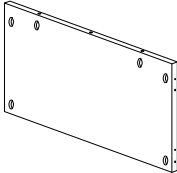
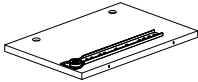
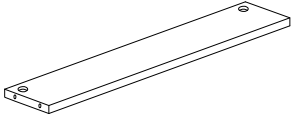
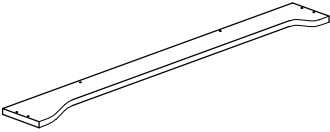
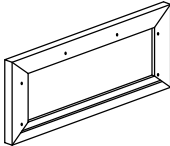
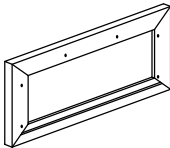
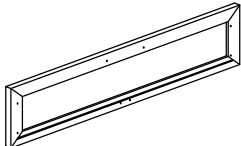
Caution : You must read this before you proceed

Please look in *** for hardware packs and legs.
Sets often ship in multiple boxes and may arrive a day or two apart.**

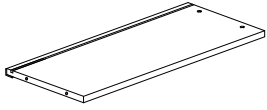
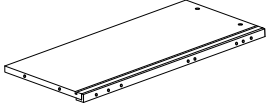
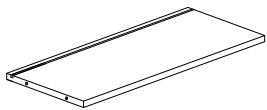
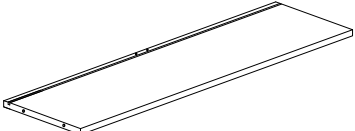
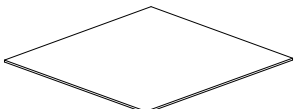
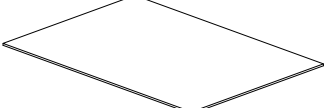
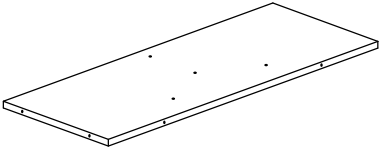
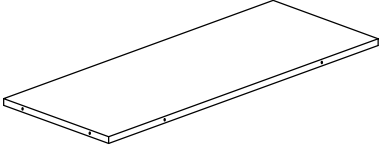
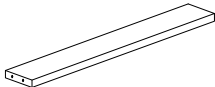
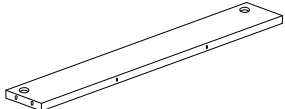
CHEST












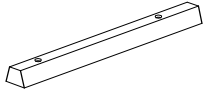
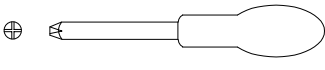
Parts List

Label	Picture	Description	QTY
A		Right Side Panel	1
B		Left Side Panel	1
C		Top Panel	1
D		Bottom Panel	1
E		Centre Panel	1
F		Centre Support Front	1
G		Crossbar	1
H		Drawer Front Right	1
I		Drawer Front Left	1
J		Drawer Front Big	2

Parts List

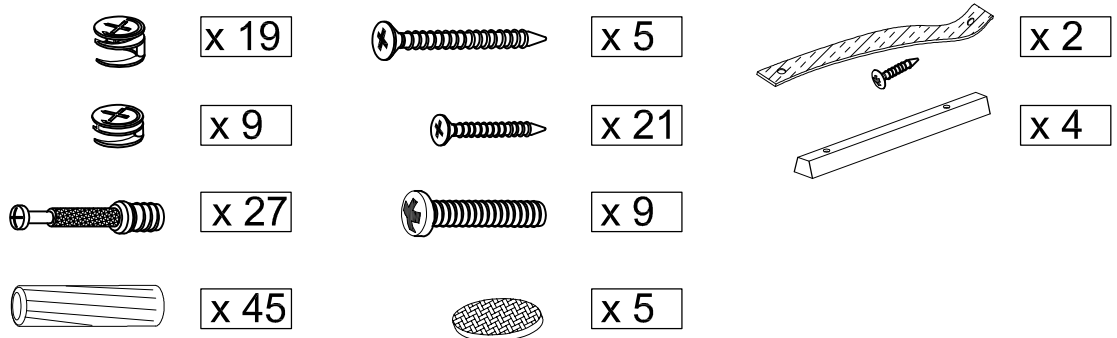
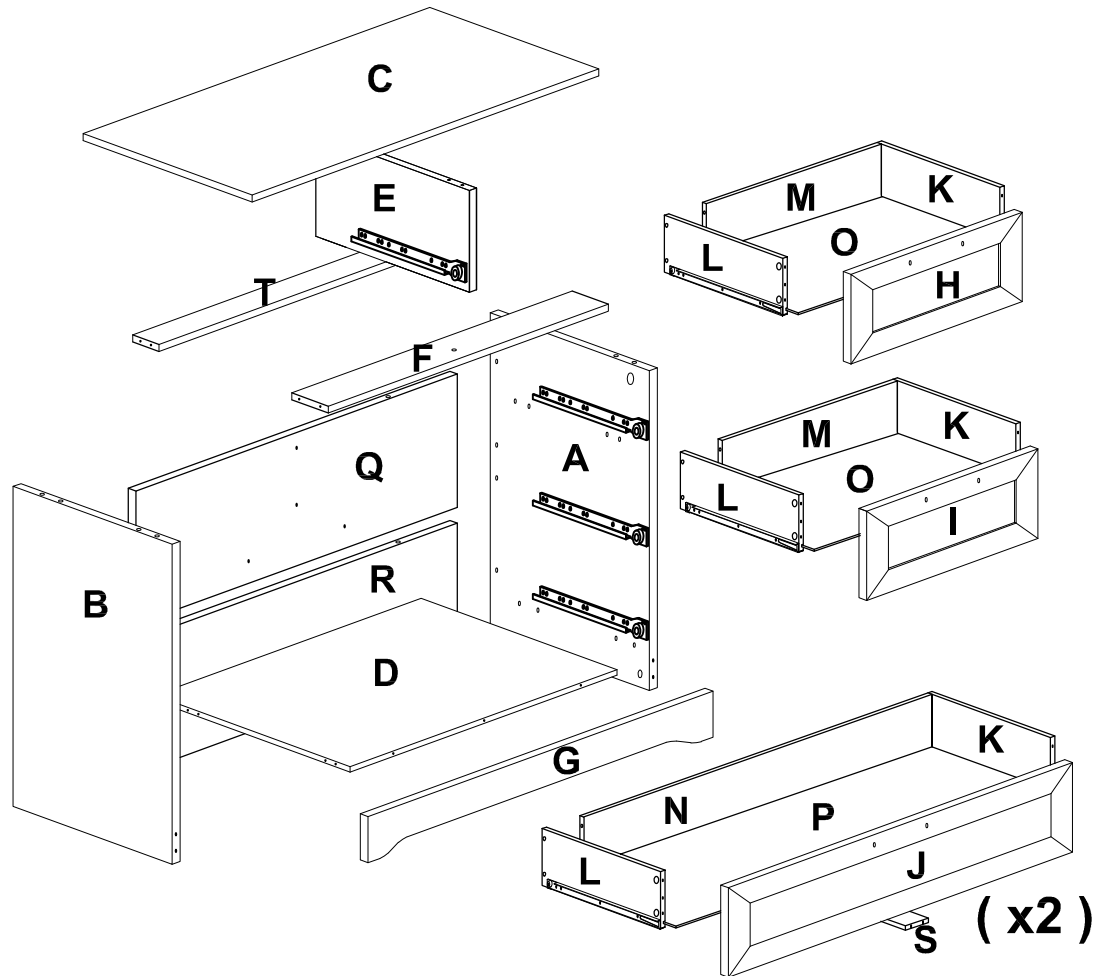
Label	Picture	Description	QTY
K		Drawer Right Panel	4
L		Drawer Left Panel	4
M		Drawer Back Panel Small	2
N		Drawer Back Panel Big	2
O		Drawer Base Small	2
P		Drawer Base Big	2
Q		Back Panel Top	1
R		Back Panel Bottom	1
S		Drawer Bottom Support	2
T		Centre Support Back	1

Hardware

Label	Picture	Description	QTY
①		Large Camlock (15 X 12mm)	19
②		Small Camlock (15 X 9mm)	9
③		Cam Bolt	27
④		Wood Dowel (Ø6 X 30mm)	45
⑤		Flat Head Screw (M8 x 38mm)	5
⑥		Flat Head Screw (M3.5 x 25mm)	21
⑦		Pan Head Bolt (M4 x 25mm)	9
⑧		Leveler	5
⑨		Anti Tip Strap + Screw	2
⑩		Handle	4
⑪		Screw Driver (Not Provided)	1

Assembly Preparation

Before Beginning Assembly



- Read instructions, cover to cover-



- Have 2 adults on hand for assembly-



- Do not assemble on flooring or carpet-



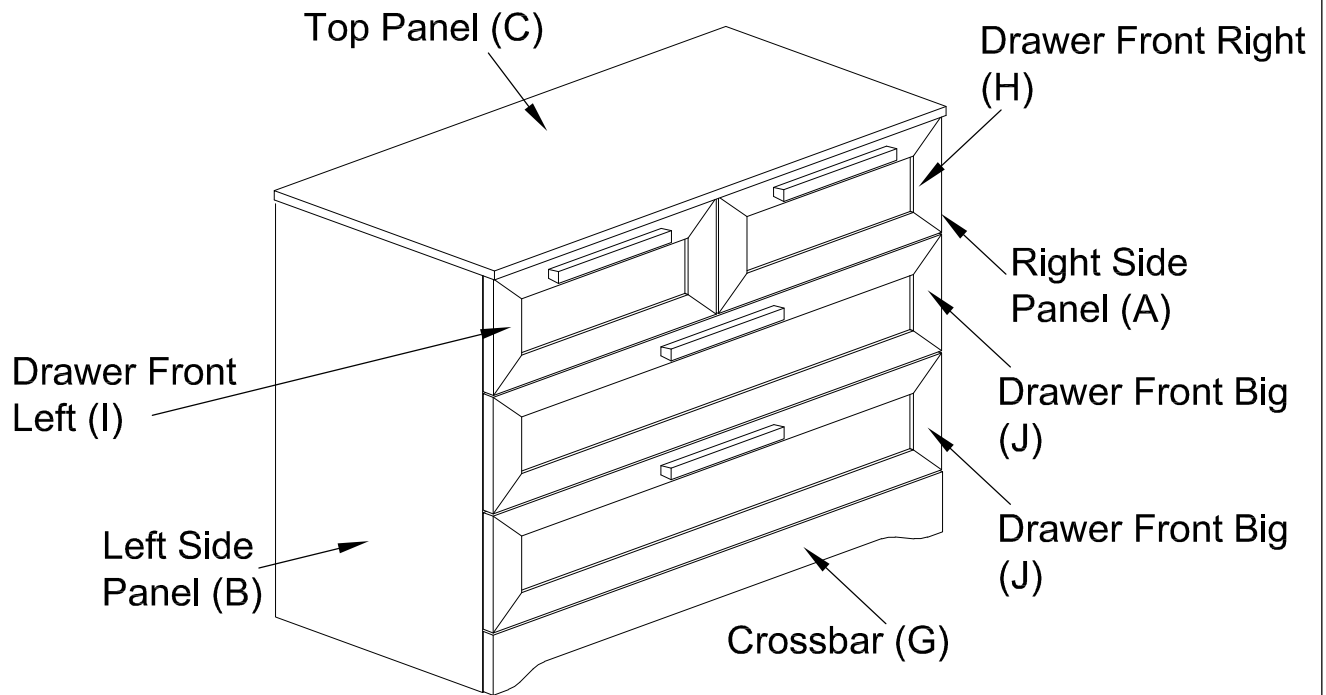
- Assemble on a clean non-marring surface (packing foam)-



- Save all packaging until finished-

Assembly Steps

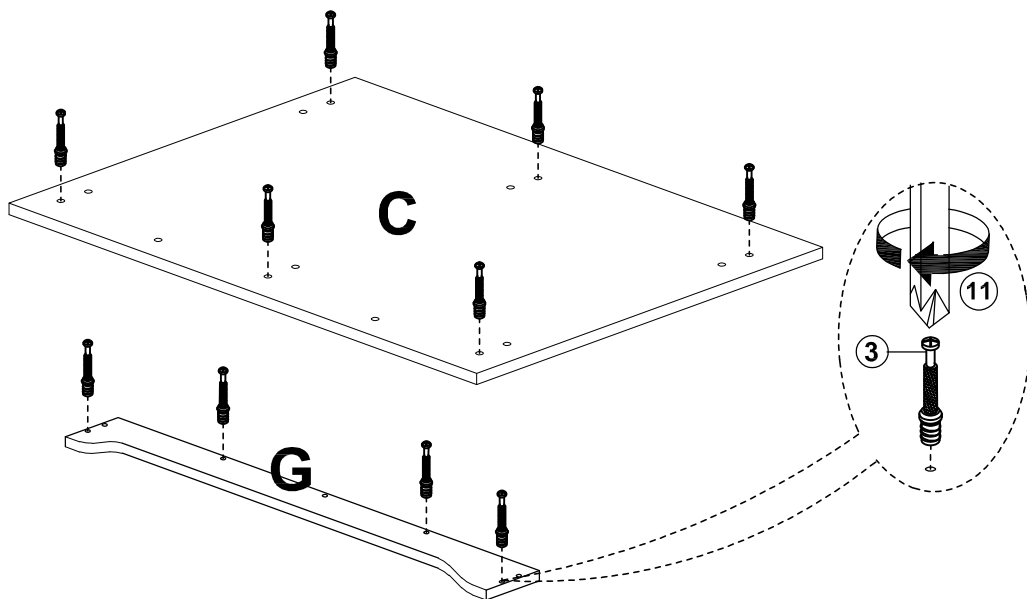
Overview



FRONT FACING

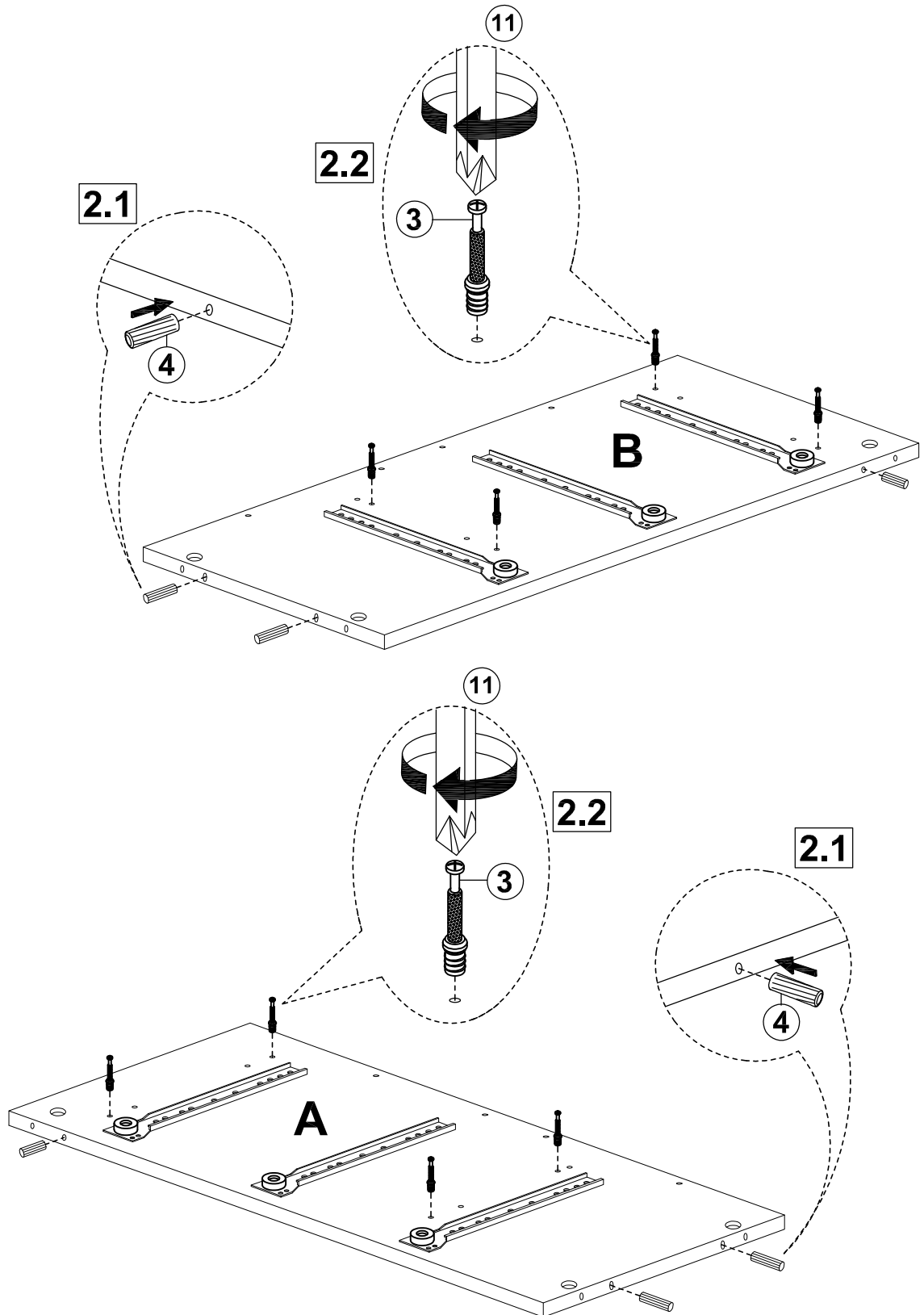
This Chest has multiple parts and may require up to 60 minutes to assemble. To give you an overview of the Chest, the above picture is to help you put the various parts into perspective. Please read through the instructions here below to familiarize yourself with the parts and steps before assembly.

Step 1



Unpack and place all parts on a clean, non-marring surface.
Attach Cam Bolts (3) to the mounting positions on Top Panel (C) and Crossbar (G) using a Screw Driver (11).

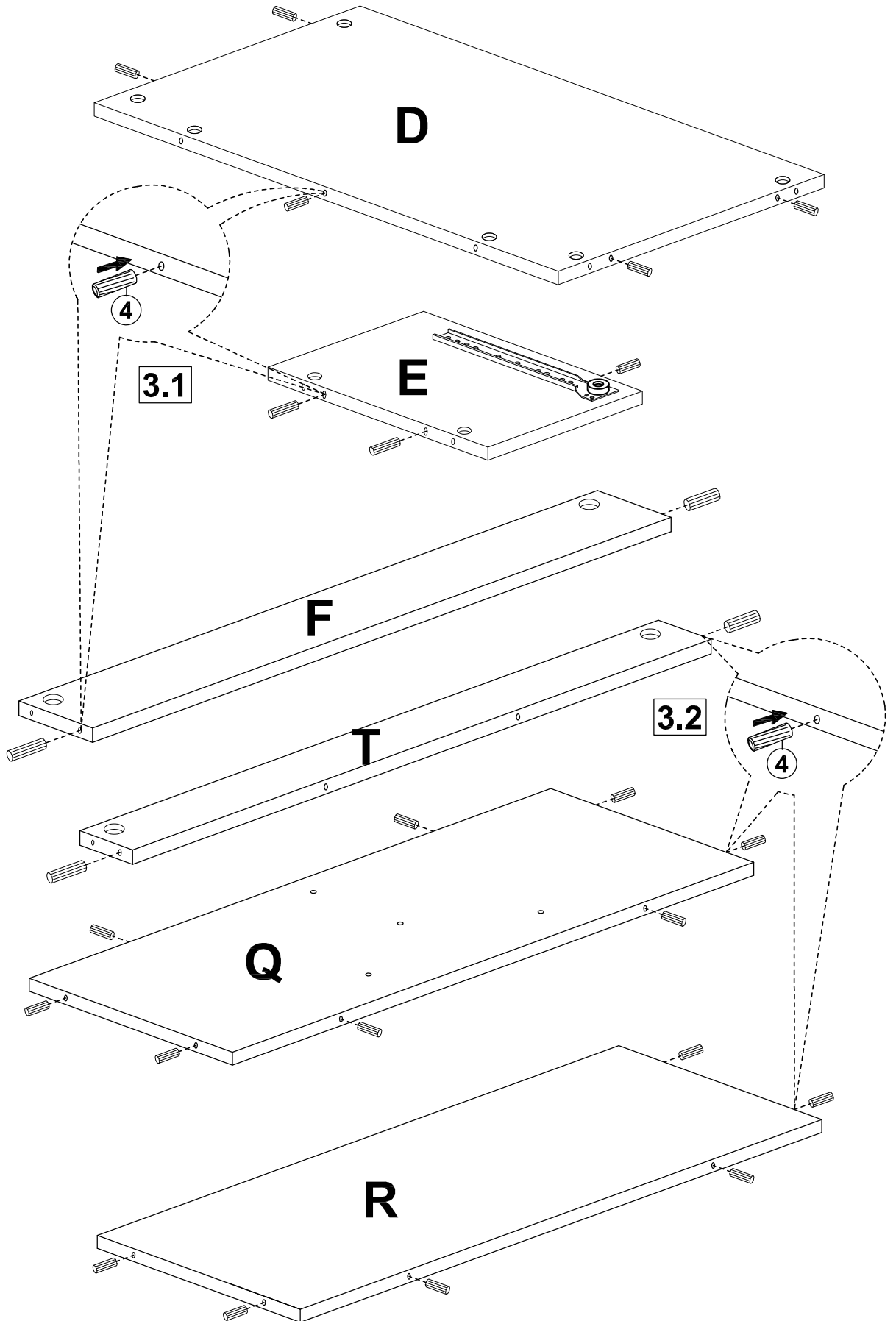
Step 2



2.1) Insert Wood Dowels (4) into the mounting positions on the side edges of the Left Side Panel (B) and Right Side Panel (A).

2.2) Attach Cam Bolts (3) into the mounting positions on Left Side Panel (B) and Right Side Panel (A) with a Screw Driver (11).

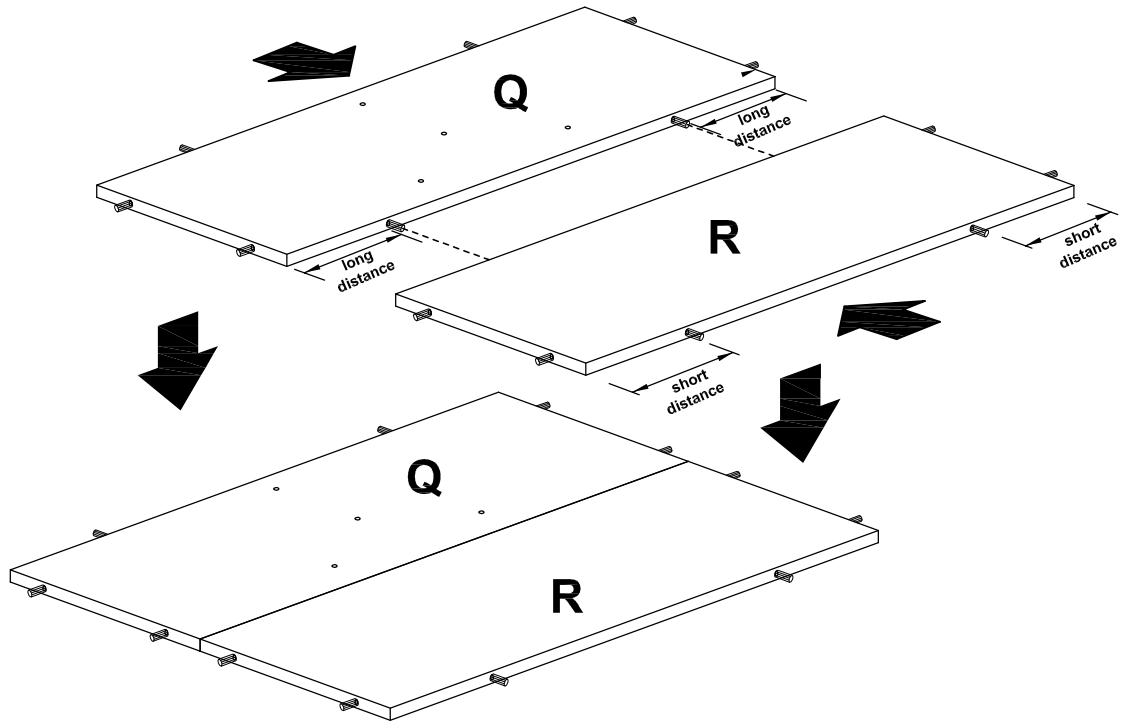
Step 3



3.1) Insert Wood Dowels (4) into the mounting positions on the side edges of the Bottom Panel (D), Centre Panel (E), and Centre Support Front (F).

3.2) Insert Wood Dowels (4) into the mounting positions on the side edges of Centre Support Back (T), Back Panel Top (Q) and Back Panel Bottom (R).

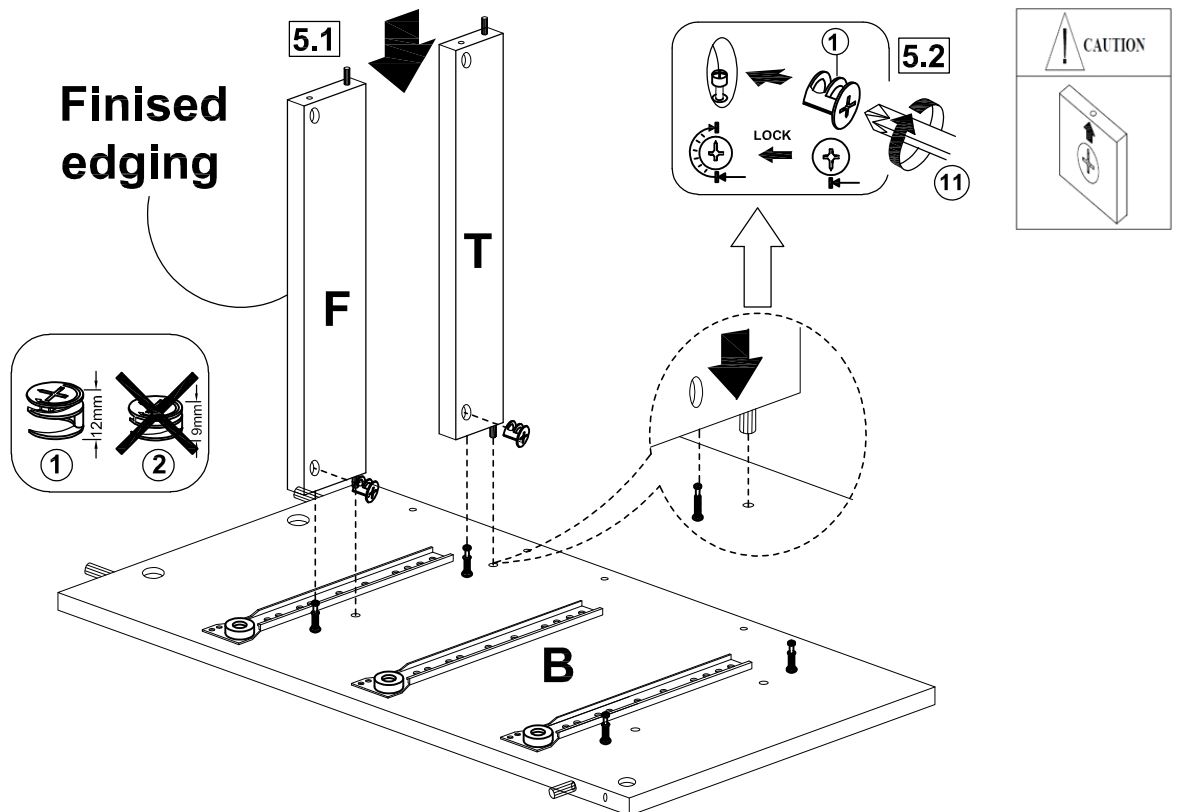
Step 4



Position and joint Back Panel Top (Q) and Back Panel Bottom (R) into the mounting positions as shown.

Note: Make sure the mounting position of Back Panel Top (Q) is in right position.

Step 5

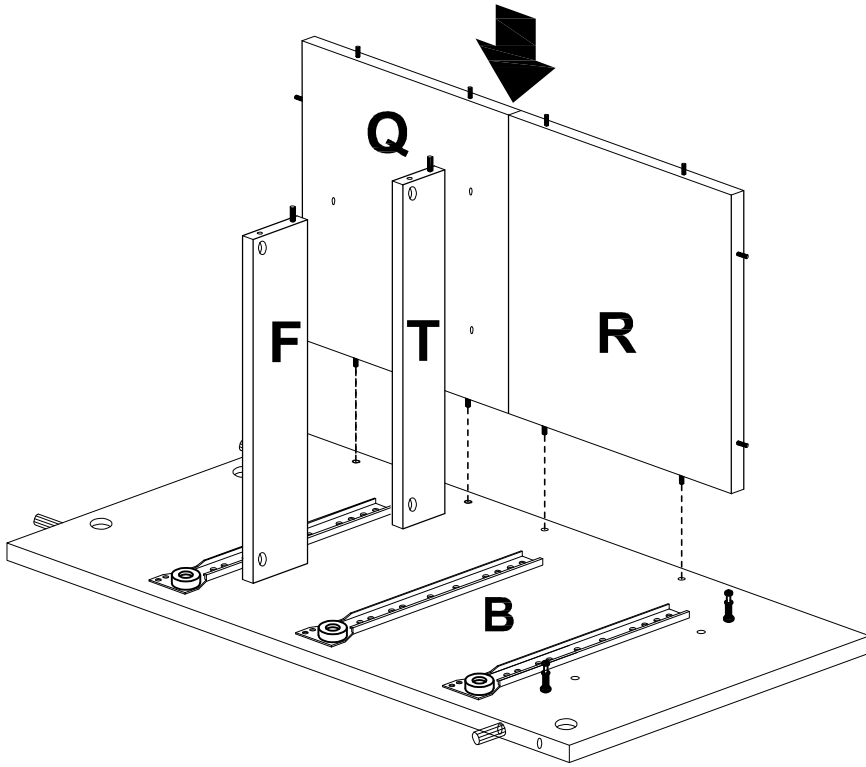


5.1) Attach Centre Support Front (F) and Centre Support Back (T) to Left Side Panel (B) .

5.2) Insert Large Cam-locks (1) into the mounting positions on Centre Support Front (F) and Centre Support Back (T) and turn clockwise to lock onto the cam-bolts using a Screw Driver (11).

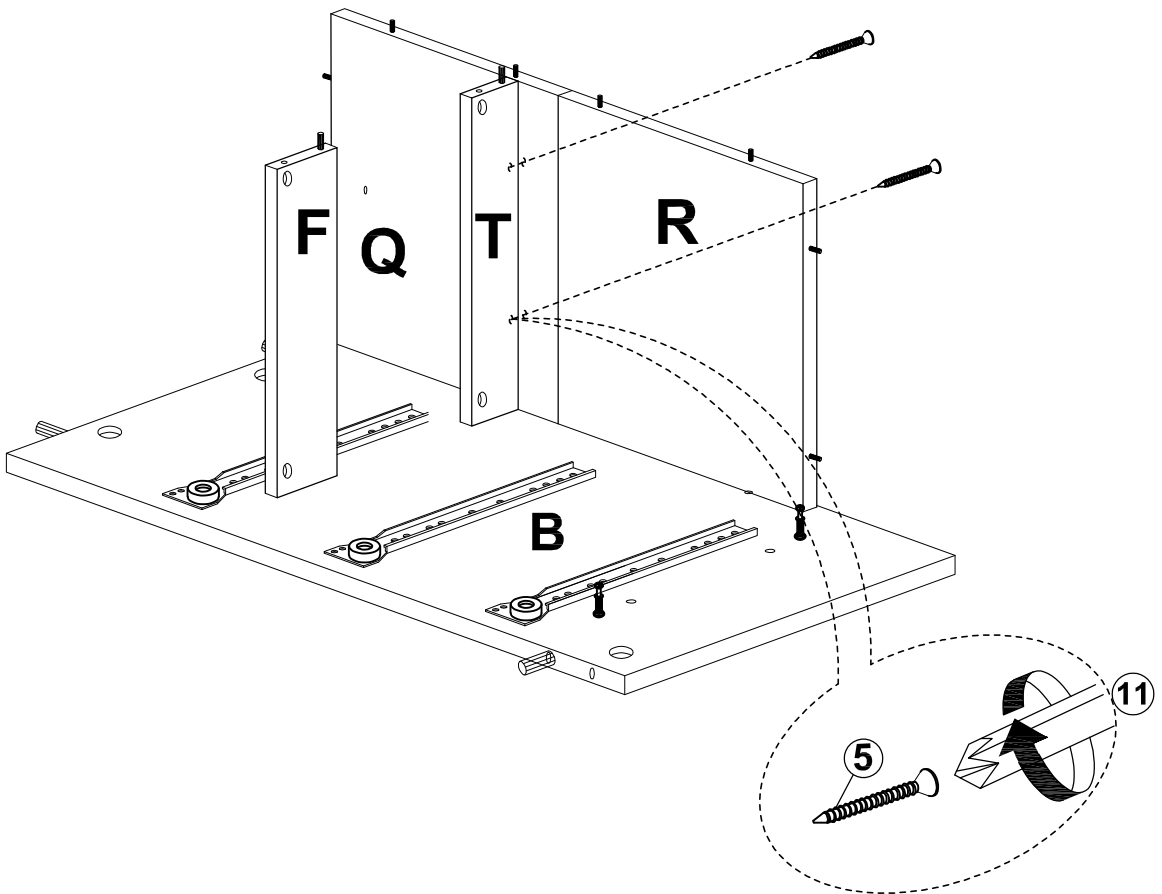
CAUTION: Insert the Cam-lock (1) per the correct orientation as indicated in the above picture.

Step 6



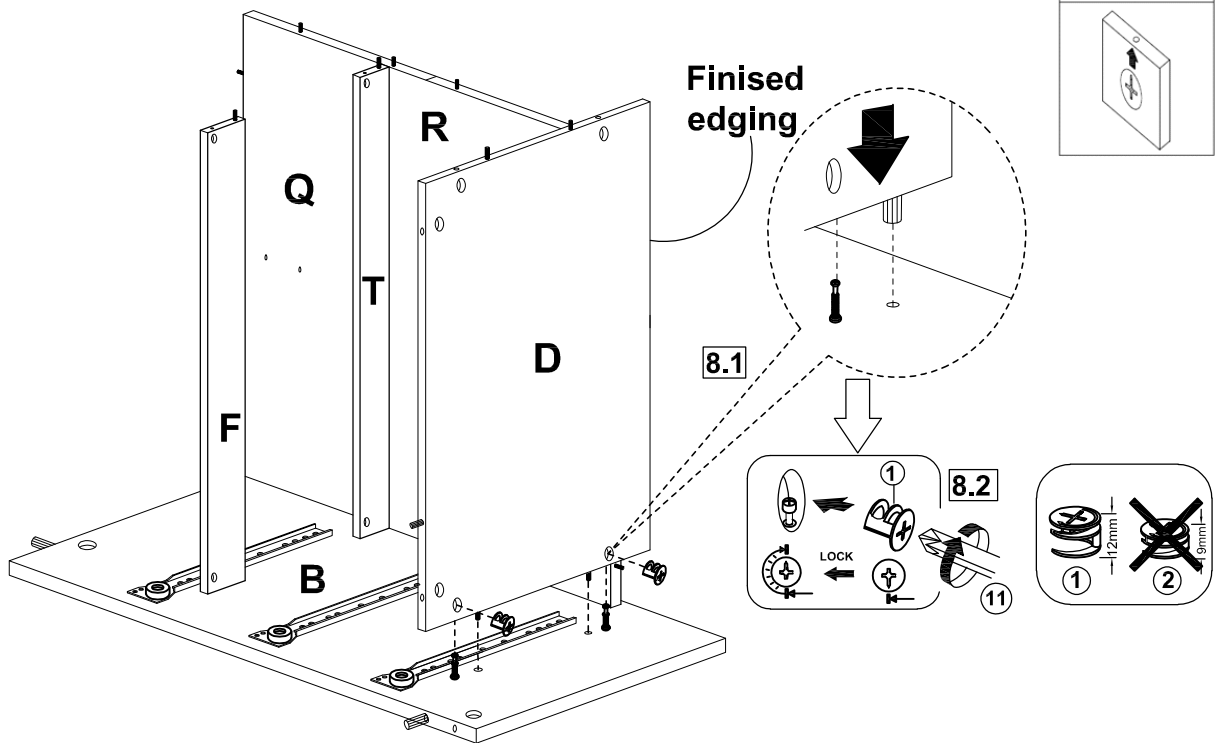
Position and attach Back Panel Top (Q) and Back Panel Bottom (R) to Left Side Panel (B) as shown.

Step 7



Use Flat Head Screws (5) to affix Back Panel Top (Q) and Centre support Back (T) using a Screw Driver (11).

Step 8

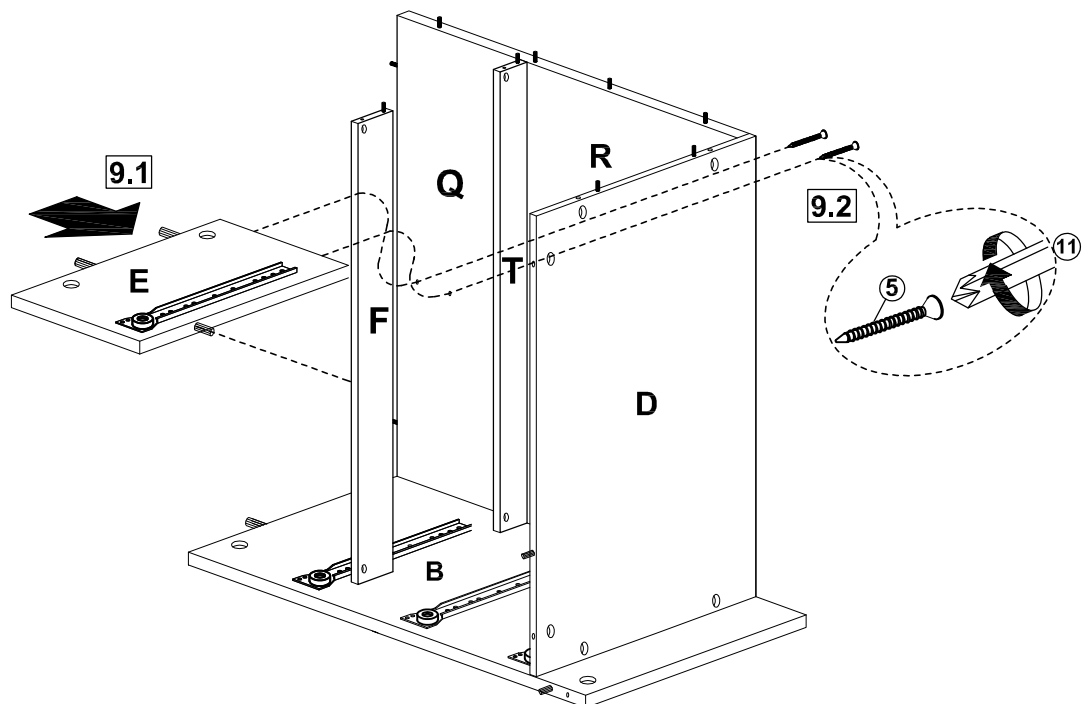


8.1) Attach and adjust Bottom Panel (D) to Left Side Panel (B) and Back Panel Bottom (R).

8.2) Insert Large Cam-locks (1) into the mounting positions on Bottom Panel (D) and turn clockwise to lock onto the cam-bolts using a Screw Driver (11).

CAUTION: Insert the Cam-lock (1) per the correct orientation as indicated in the above picture.

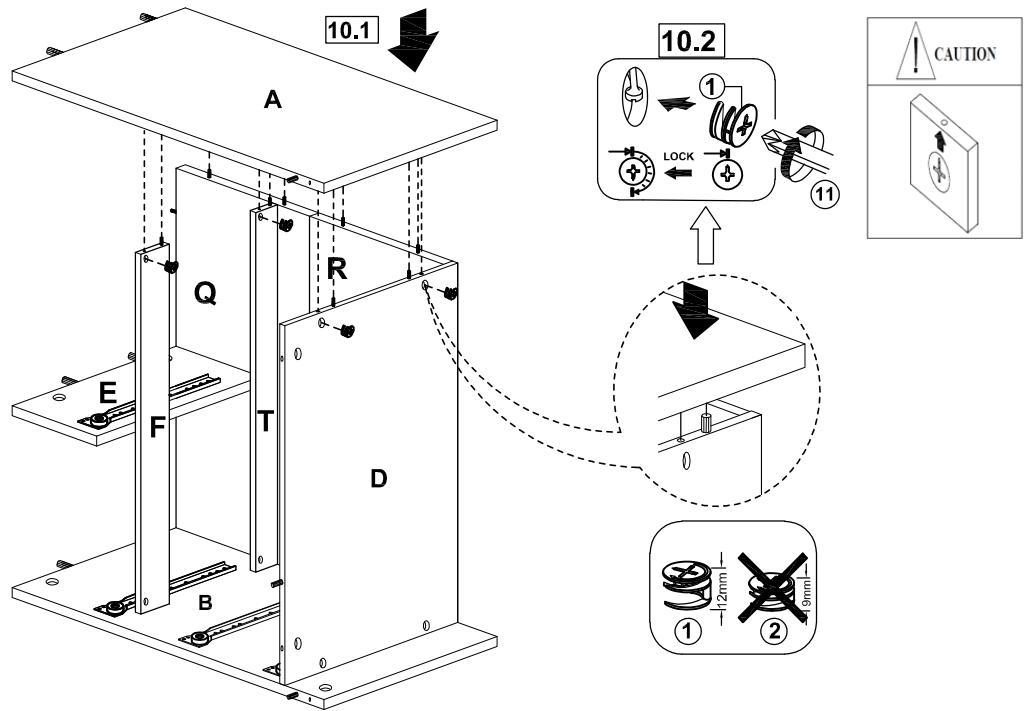
Step 9



9.1) Position and attach Centre Panel (E) to Centre Support Front (F) via the wood dowels as shown.

9.2) Use Flat Head Screws (5) to affix Back Panel Top (Q) and Centre Panel (E) using a Screw Driver (11).

Step 10

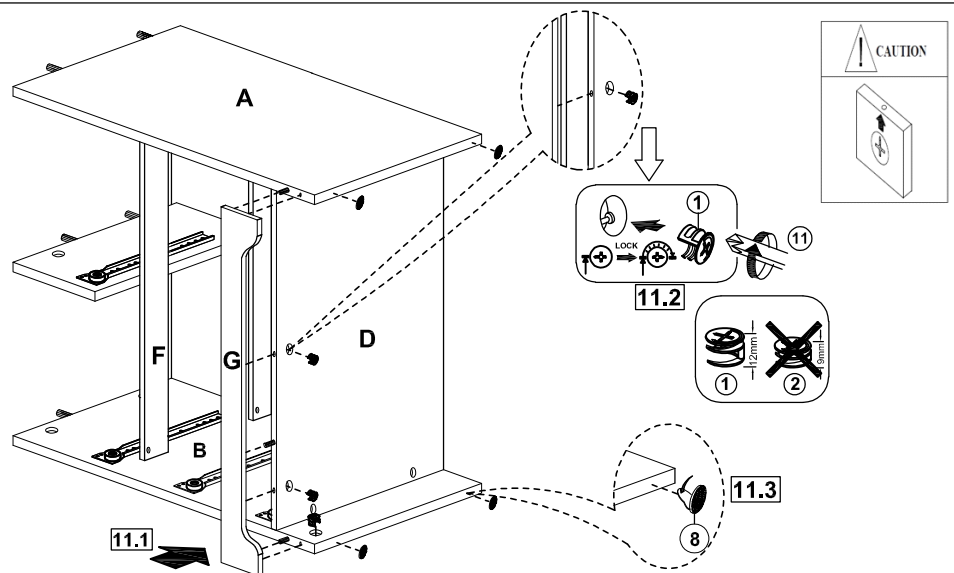


10.1) Attach Right Side Panel (A) to Back Panel Top (Q), Back Panel Bottom (R), Bottom Panel (D), Centre Support Front (F) and Centre Support Back (T) via the wood dowels and the Cam-bolts.

10.2) Insert Large Cam-locks (1) into the mounting positions on Bottom Panel (D) and Centre Support (F) and Centre Support Back (T) and turn clockwise to lock onto the cam-bolts using a Screw Driver (11).

CAUTION: Insert the Cam-lock (1) per the correct orientation as indicated in the above picture.

Step 11



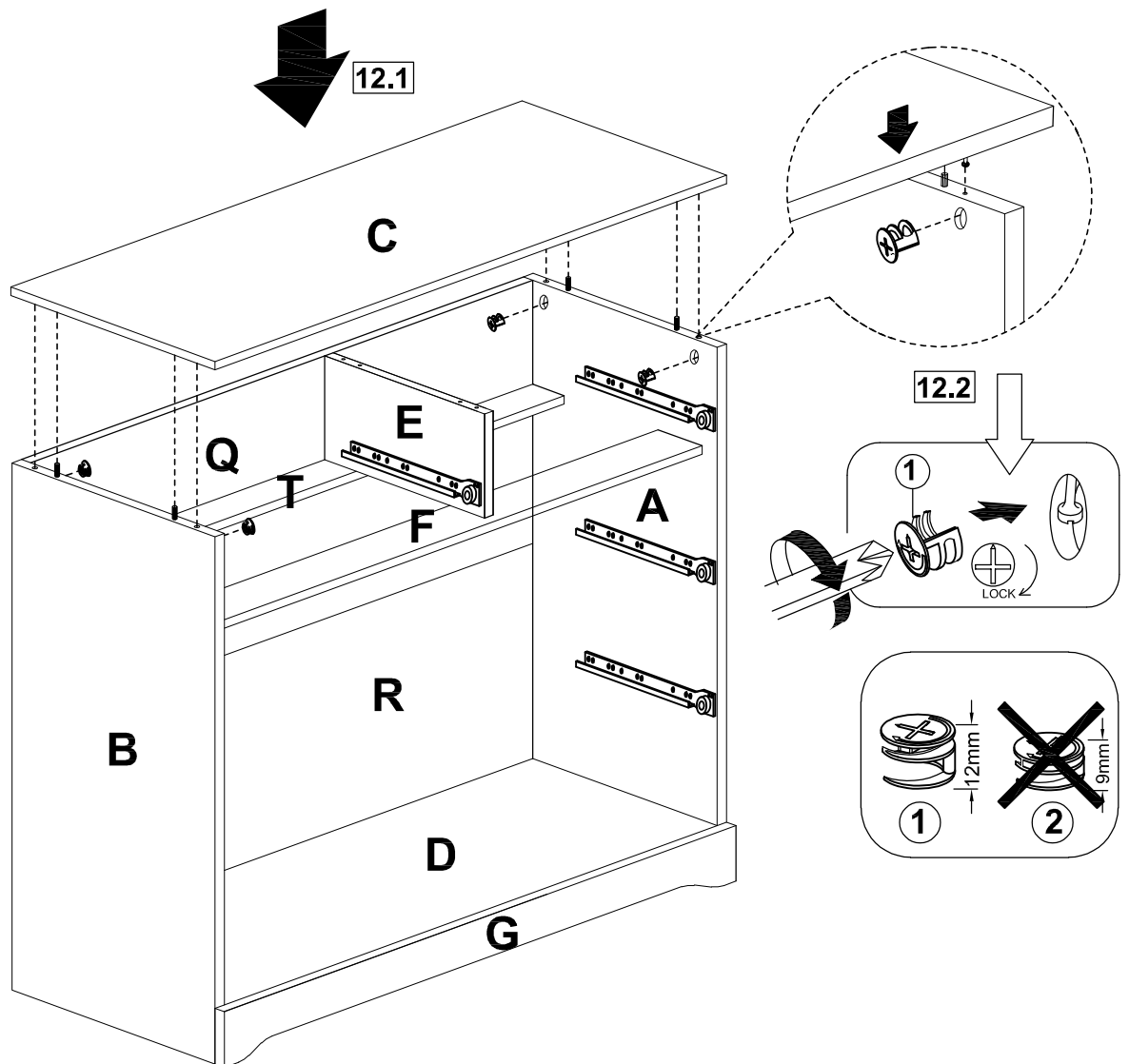
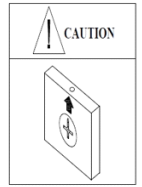
11.1) Attach Crossbar (G) to Right Side Panel (A), Left Side Panel (B) and Bottom Panel (D) via the wood dowels and the Cam-bolts.

11.2) Insert Large Cam-locks (1) into the mounting positions on Right Side Panel (A), Left Side Panel (B) and Bottom Panel (D) and turn clockwise to lock onto the cam-bolts using a Screw Driver (11).

11.3) Paste a leveler (8) on the bottom side of Right Side Panel (A) and Left Side Panel (B)

CAUTION: Insert the Cam-lock (1) per the correct orientation as indicated in the above picture.

Step 12

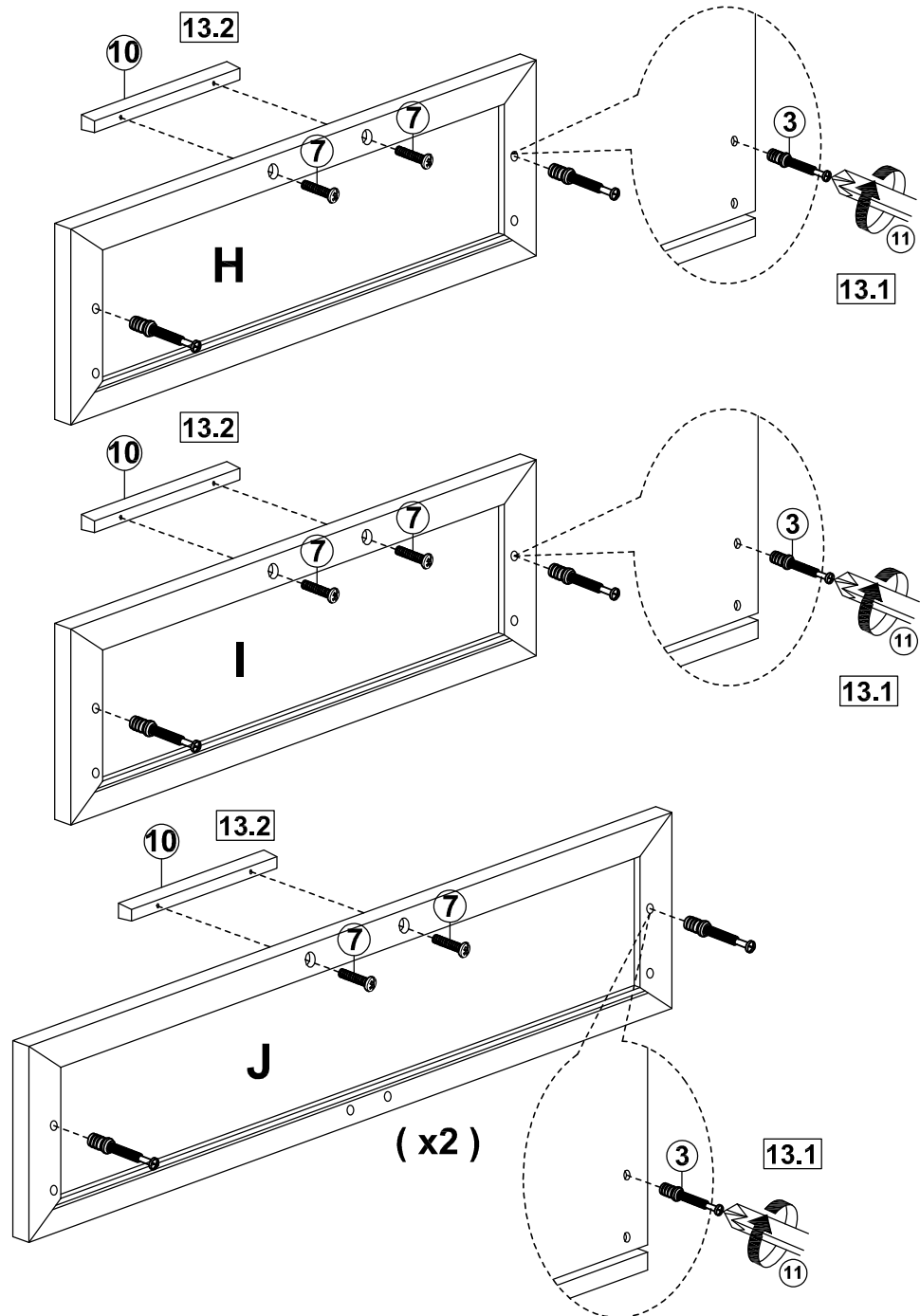


12.1) Attach Top Panel (C) to Right Side Panel (A), Left Side Panel (B) Centre Panel (E) and Back Panel Top (Q) via the wood dowels and the Cam-bolts.

12.2) Insert Large Cam-locks (①) into the mounting positions on Right Side Panel (A), Left Side Panel (B) and Centre Panel (E) and turn clockwise to lock onto the cam-bolts using a Screw Driver (⑪).

CAUTION: Insert the Cam-lock (①) per the correct orientation as indicated in the above picture.

Step 13



13.1) Use a Screw Driver (11) to screw Cam Bolts (3) into the mounting positions on the inside face of Drawer Front Right (H), Drawer Front Left (I) and Drawer Front Big (J) as shown.

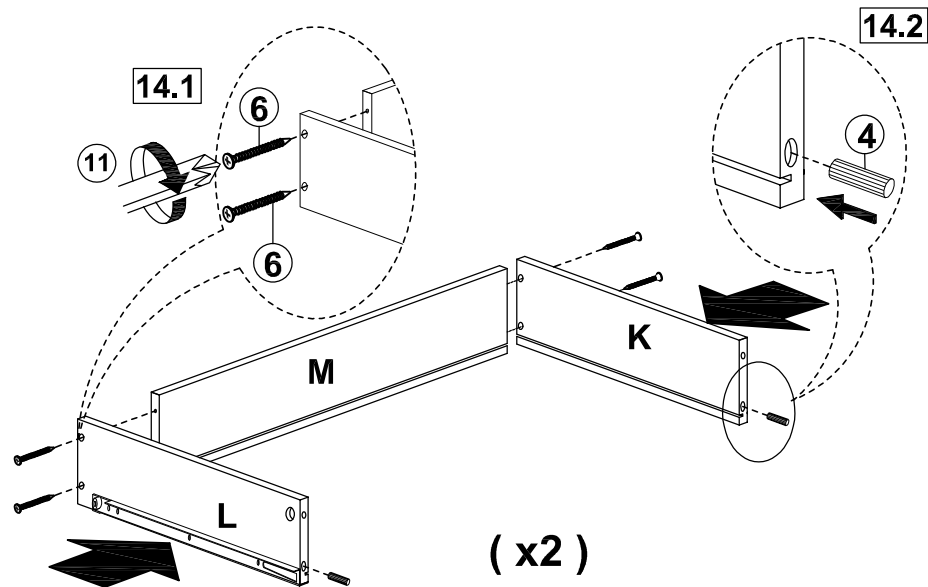
Note : It is easier to screw in Cam Bolts with the Drawer Front laid flat down - take care not to scratch or damage the front face of the Drawer Front panel.

13.2) Position Drawer Front Right (H), Drawer Front Left (I) & Drawer Front Big (J) vertically as shown. Align the mounting positions on Drawer Handles to the bolt holes on Drawer Front Right (H), Drawer Front Left (I) and Drawer Front Big (J).

Insert Pan Head Bolts (7) through the bolt holes on Drawer Front Right (H), Drawer Front Left (I) and Drawer Front Big (J) to thread into the bolt holes on the Handles (10).

Use a Screw Driver (11) to screw in the Pan Head Bolts - do not tighten the bolts fully until both bolts are in place.

Step 14

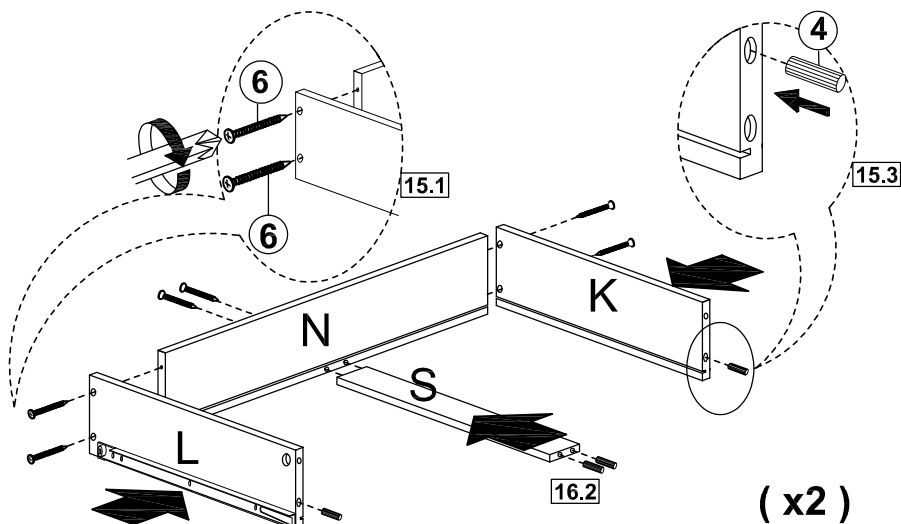


14.1) Attach Drawer Right Panel (K) and Drawer Left Panel (L) to Drawer Back Panel (M) as shown-note the grooves on each panel are at the bottom. Use Flat Head Screws (⑥) to fasten side panels to back panel.

Do not tighten screws completely until all screws are in place in each panel.

14.2) Insert Wood Dowels (④) into the mounting positions on the front edges of Drawer Right Panel (K) and Drawer Left Panel (L) .

Step 15



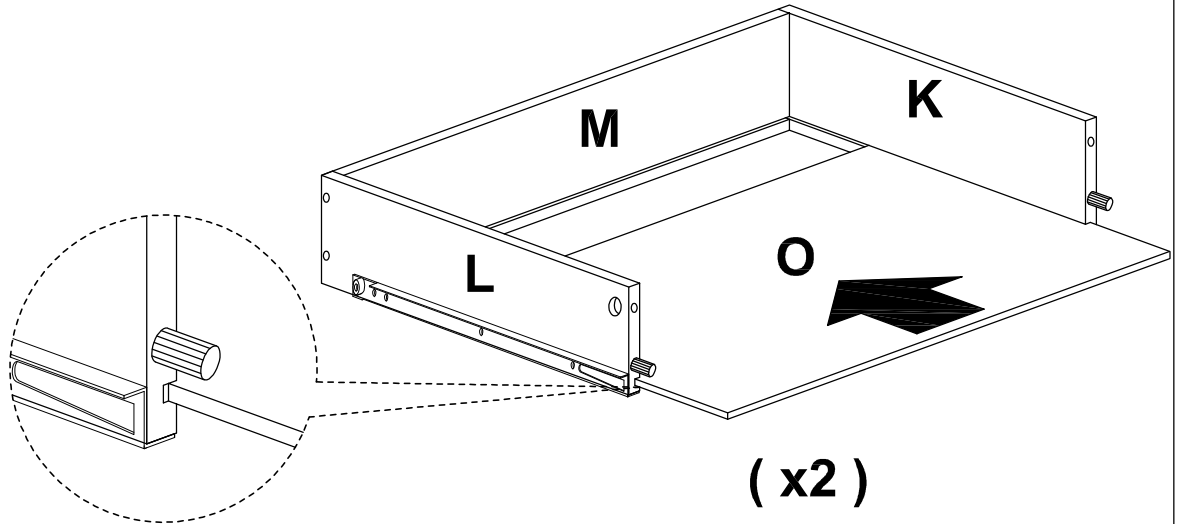
15.1) Attach Drawer Right Panel (K) and Drawer Left Panel (L) to Drawer Back Panel Big (N) as shown-note the grooves on each panel are at the bottom. Use Flat Head Screws (⑥) to fasten side panels to back panel.

Do not tighten screws completely until all screws are in place in each panel.

15.2) Align the mounting positions on Drawer Bottom Support (S) to the mounting positions on Drawer Back Panel (N). Use Flat Head Screws (⑥) to fasten Drawer Bottom Support (S) to Drawer Back Panel (N).

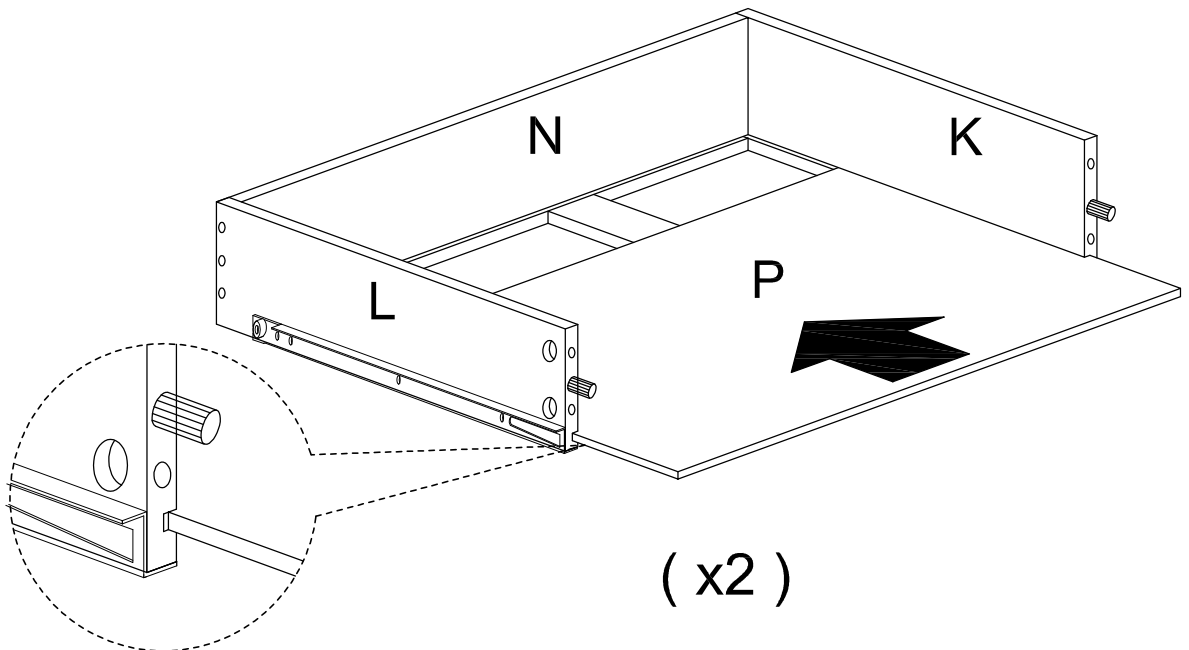
15.3) Insert Wood Dowels (④) into the mounting positions on the front edges of Drawer Right (K), Drawer Left Panel (L) and Drawer Bottom Support (S).

Step 16



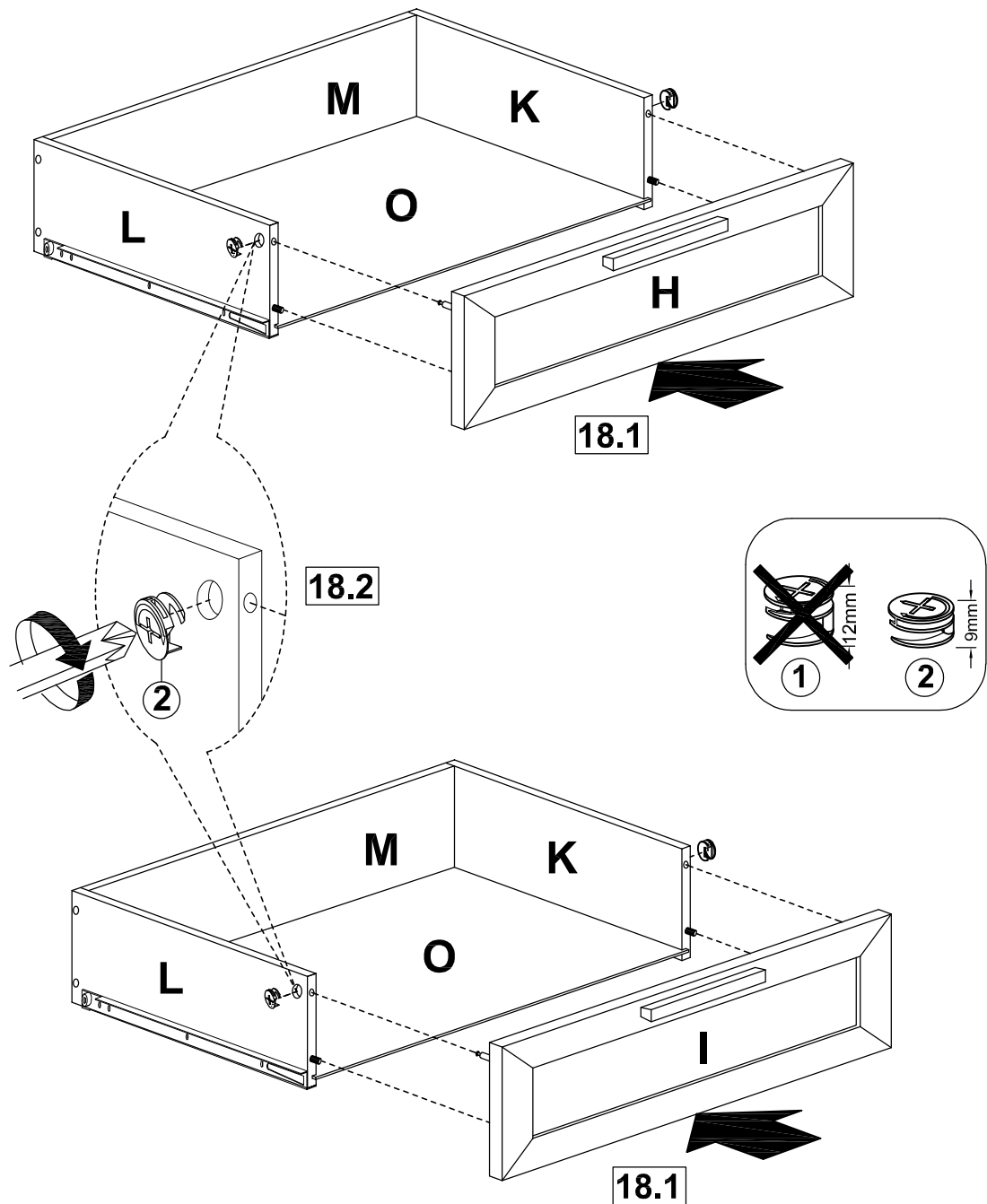
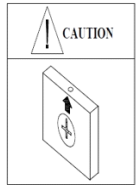
Slide the Drawer Base Small (O) into the grooves on Drawer Right Panel (K), Drawer Back Panel Small (M) and Drawer Left Panel (L).

Step 17



Slide the Drawer Base Big (P) into the grooves on Drawer Right Panel (K), Drawer Back Panel Big (N) and Drawer Left Panel (L).

Step 18

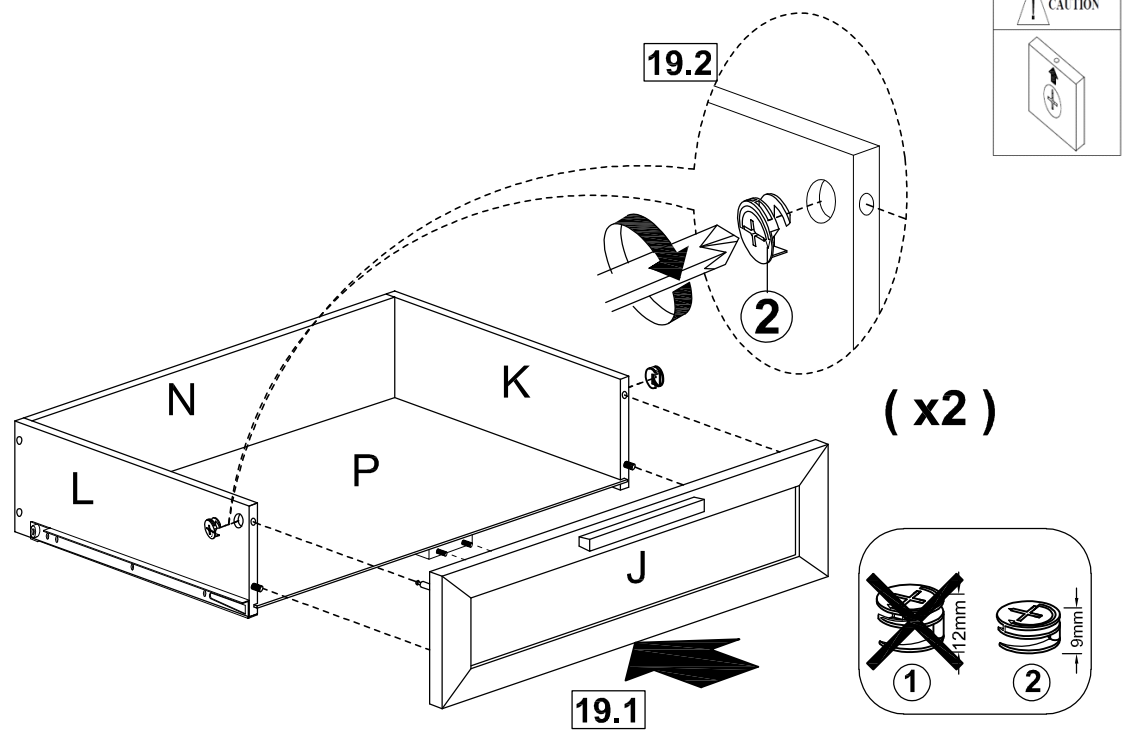


18.1) Attach Drawer Front Right (H) and Drawer Front Left (I) to Drawer Right Panel (K) and Drawer Left Panel (L) via the cam-bolts and the wood dowels on the respective parts. Check that the front edge of Drawer Base Small (O) fits into the groove on Drawer Front Right (H) & Drawer Front Left (I).

18.2) Insert Small Cam-locks (2) into the mounting positions on Drawer Right Panel (K) and Drawer Left Panel (L) and turn clockwise to lock onto the cam-bolts.

CAUTION: Insert the Cam-lock (2) per the correct orientation as indicated in the above picture.

Step 19

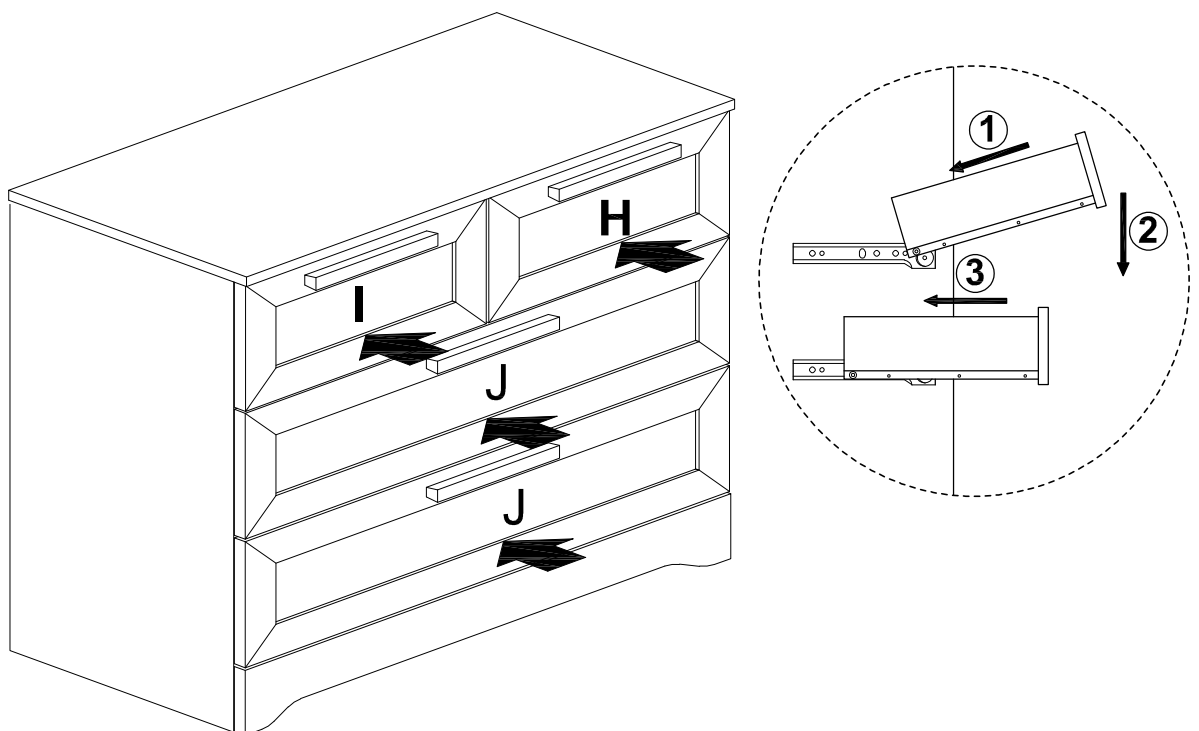


19.1) Attach Drawer Front Big (J) to Drawer Right Panel (K), Drawer Left Panel (L) and Drawer Bottom Support (S) via the cam-bolts and the wood dowels on the respective parts. Check that the front edge of Drawer Base Big (P) fits into the groove on Drawer Front Big (J) .

19.2) Insert Small Cam-locks (2) into the mounting positions on Drawer Right Panel (K) and Drawer Left Panel (L) and turn clockwise to lock onto the cam-bolts.

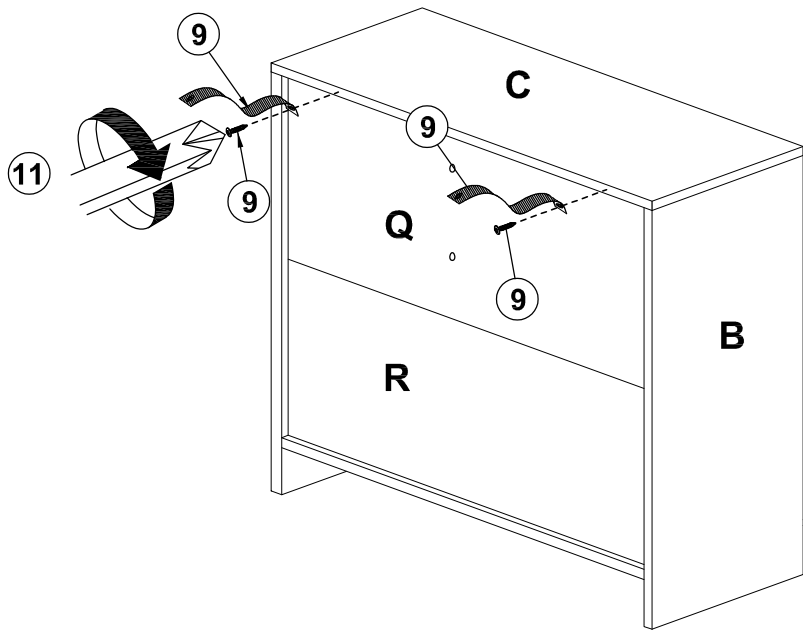
CAUTION: Insert the Cam-lock (2) per the correct orientation as indicated in the above picture.

Step 20



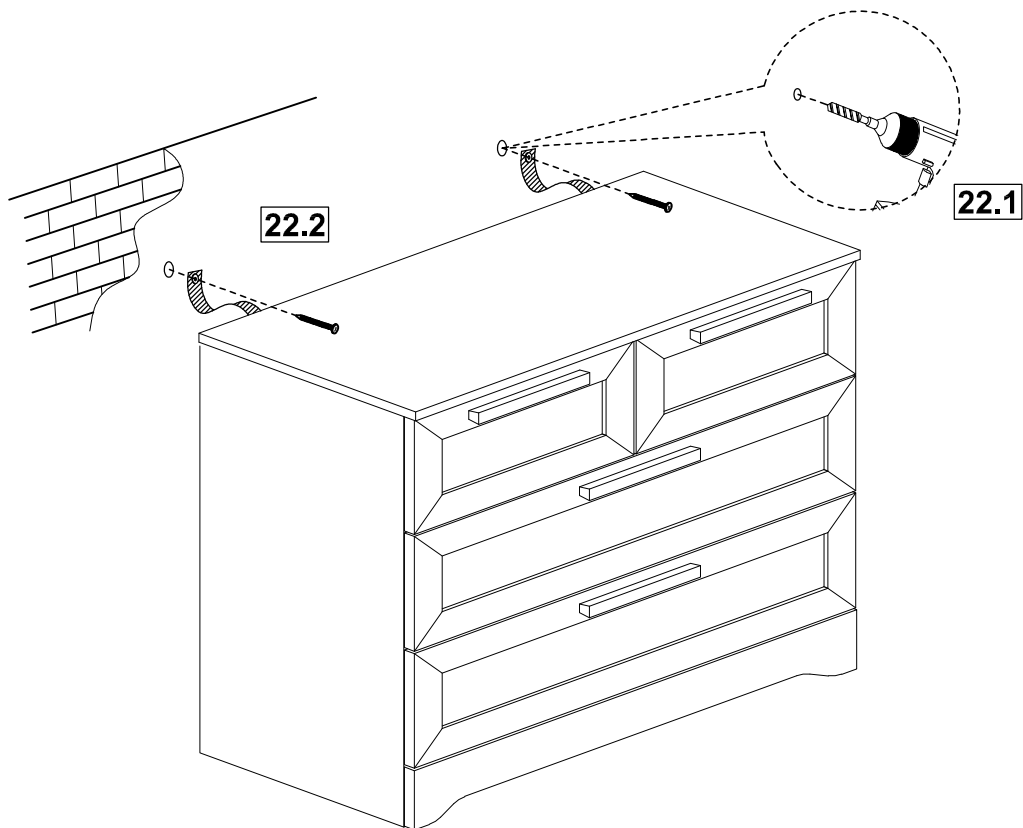
Place the Drawers into the Chest assembly by aligning the rails.

Step 21



Insert the screws through Straps (9) at the marked sticker areas on the back side edges of Top Panel (C) and drive in the screws using a Screw Driver (11).

Step 22



22.1) Drill holes in the wall and insert the wall anchors / Rawl plugs.

22.2) Insert the screws through straps and drive the screws into the wall anchors / Rawl Plugs.

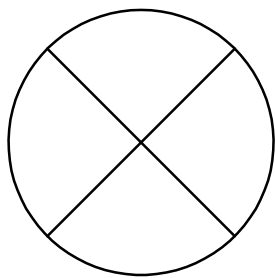
NOTE : Wall fixings are not supplied with this product as different wall materials require different types of fixing devices (such as Rawl plugs on brick work). You must use fixing devices suitable for the type of wall you intend to mount this product to. Please ensure that the head of any screw used has a diameter greater than the diameter of the mounting hole on the Anti-Tip Strap and that the fixing is safe and secure before use.

The screws supplied are to affix the Anti-Tip Strap to the cabinet.

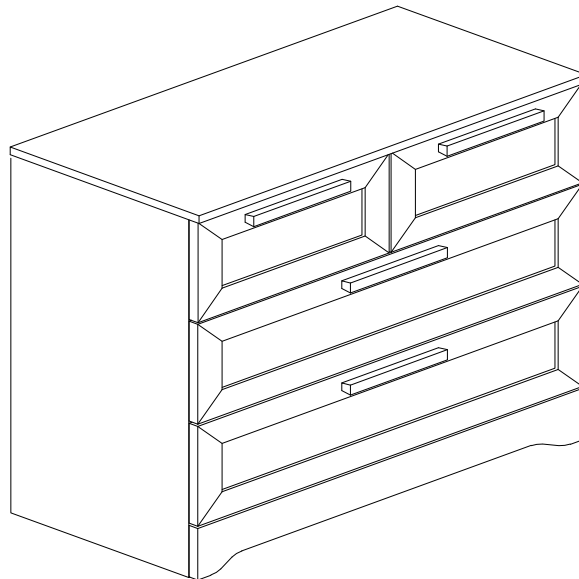


WARNING

Serious or fatal crushing injuries can occur from tipping furniture.
To help prevent tip-over: **ALWAYS** secure this furniture to the wall using
Cabinet Restraint Device.
See product instructions for more ways to help prevent furniture tip-over.



Step 23



Your Chest is ready for use.

Care & Maintenance



- Furniture may scratch floors. We recommend using furniture pads to protect your floors.



- Do not put hot items directly on furniture surface.



- Do not clean furniture with harsh cleansers or polish.



- Do not place furniture under direct sunlight.



- Do not place furniture near heating or cooling vents.



- Do not write on furniture without a padded barrier to protect the surface.



- Do not place furniture outside . For indoor use only.



- Not for commercial use. For residential use only.



- Stains may be removed with mild soap solution and damp cloth.



- Children should not climb or jump on the furniture.



- Dust and pick-up spills using a clean, non-colored, lint-free cloth.

Questions & Answers about Proposition 65

• What is Proposition 65?

Proposition 65 requires businesses to provide warnings to Californians about significant exposures to chemicals that cause cancer, birth defects or other reproductive harm. These chemicals can be in the products that Californians purchase, in their homes or workplaces, or that are released into the environment. By requiring that this information be provided, Proposition 65 enables Californians to make informed decisions about their exposures to these chemicals. Proposition 65 also prohibits California businesses from knowingly discharging significant amounts of listed chemicals into sources of drinking water.

Proposition 65 requires California to publish a list of chemicals known to cause cancer, birth defects or other reproductive harm. This list, which must be updated at least once a year, has grown to include approximately 900 chemicals since it was first published in 1987.

• What types of chemicals are on the Proposition 65 list?

The list contains a wide range of naturally occurring and synthetic chemicals that include additives or ingredients in pesticides, common household products, food, drugs, dyes, or solvents. Listed chemicals may also be used in manufacturing and construction, or they may be byproducts of chemical processes, such as motor vehicle exhaust.