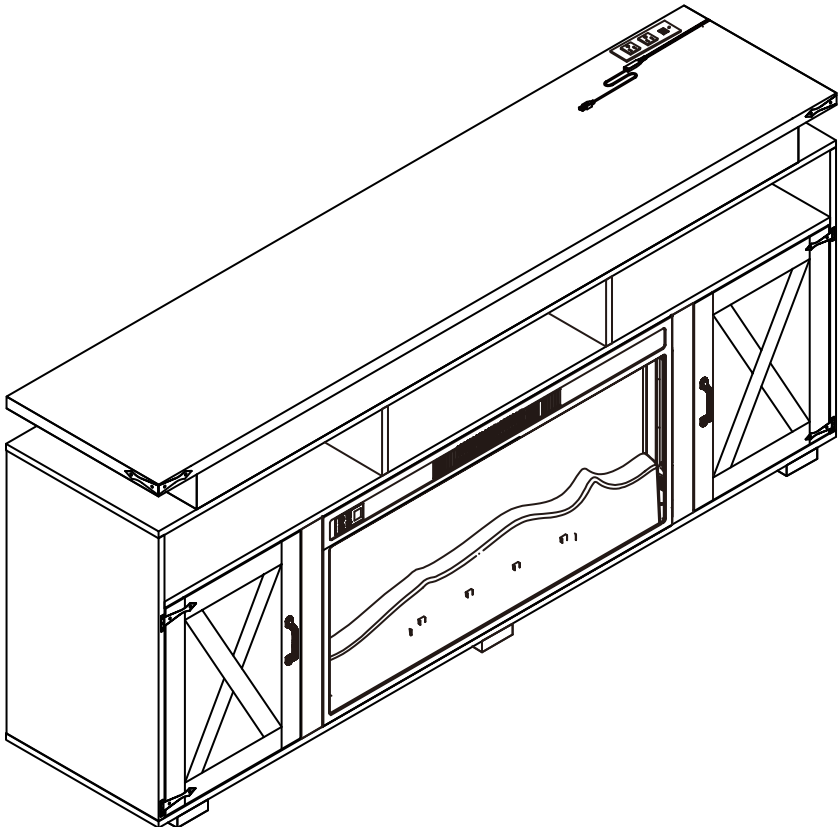
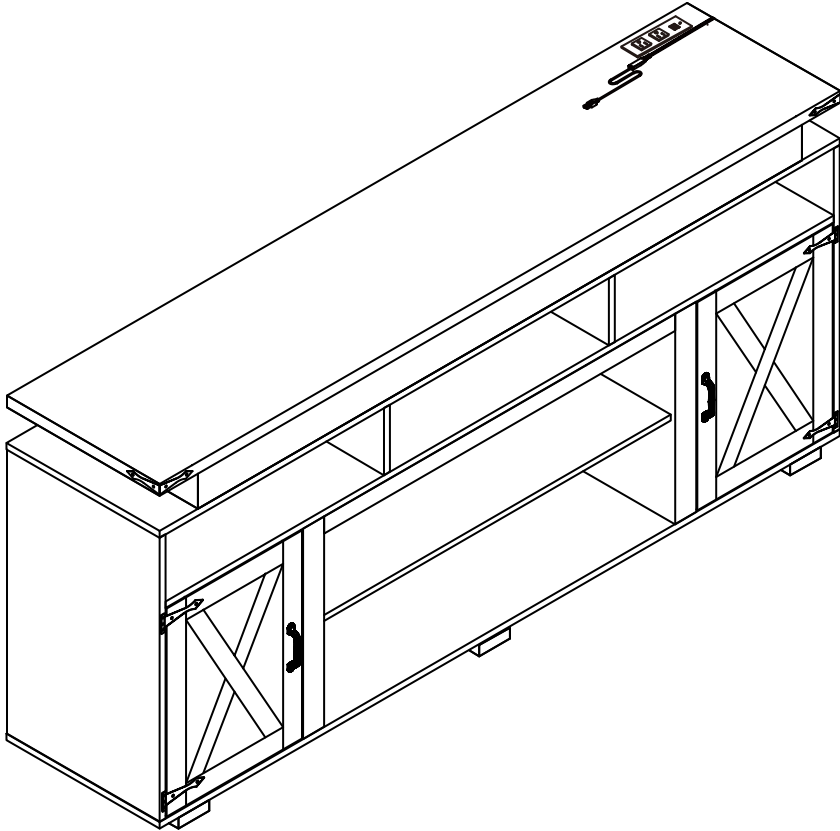
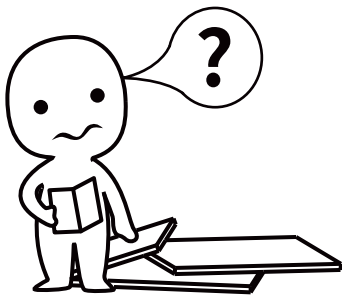


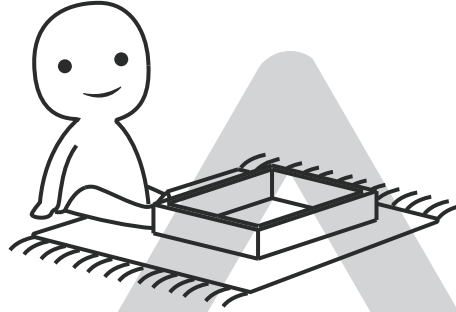
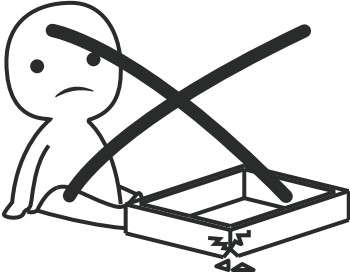
Product Instruction





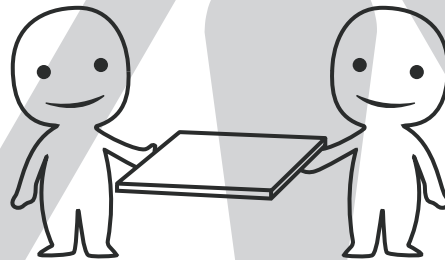
IMPORTANT INFORMATION!

please read the entire manual before starting to assemble and/or using this product. follow the manual thoroughly and keep it for further reference.



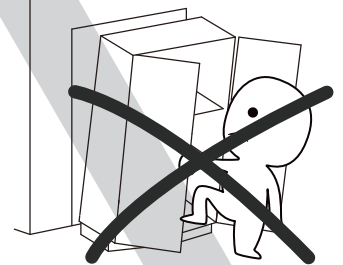
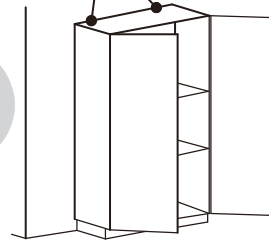
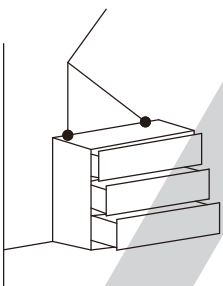
AVOID SCRATCHES!

In order to avoid scratching this furniture should be assembled on a soft layer—could be a rug.



IMPROVE EFFICIENCY !

Try to find a partner to install with you, which can speed up the installation efficiency and shorten the time.



ANTI-TOPPLE WARNING !

Overtipped furniture can cause serious or fatal crush injuries. To prevent tipping over, be sure to use the wall attachment, if not included with this product. Please purchase the wall attachment that fit your wall. If unsure, seek professional advice. Please read and follow each step of the instructions carefully.

IMPORTANT !

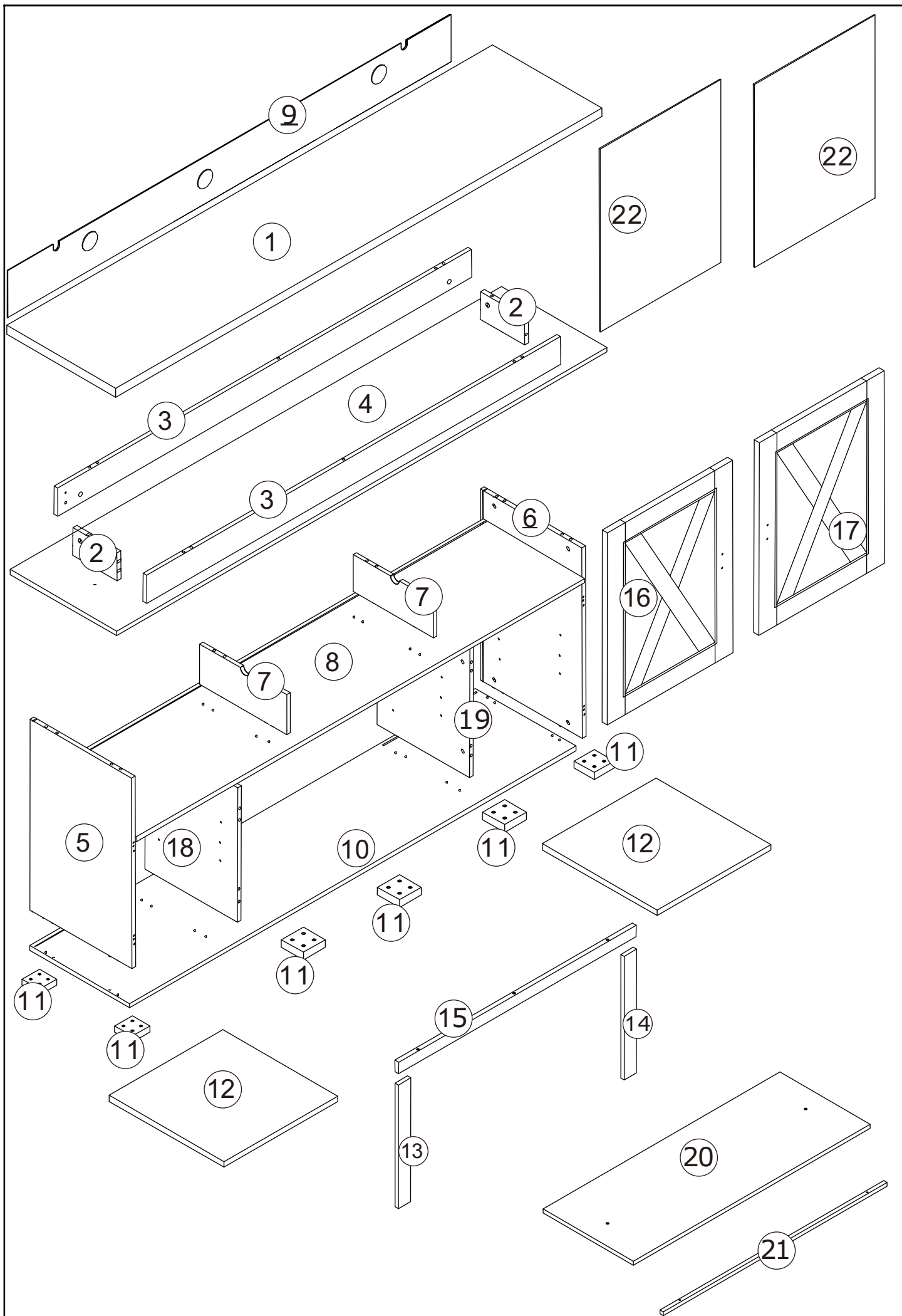
It is important that any product which is assembled using any kind of screw is re-tightened 2 weeks after assembly, and once every 3 months - in order to assure stability through-out the lifespan of the product.

For regular maintenance and cleaning of the product, for the frame, please use a rag dipped in neutral detergent to fully wipe it, and then dry it with a clean rag. For glass materials, wipe with a rag dampened with water glass cleaner, and then dry with a dry rag.

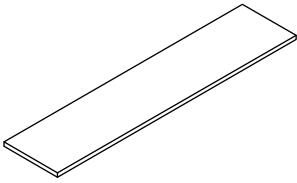
Please use proper tools for assembly. Using an electric screwdriver can accelerate the assembly speed, but please do not overtighten the screws.

SAFETY TIPS !

Static charge may cause dust on foam - clean with a dry or damp cloth. Small foam strands may be present — handle gently and dispose of properly. Do not burn or incinerate. Check local recycling guidelines.



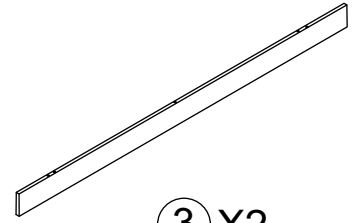
Parts List



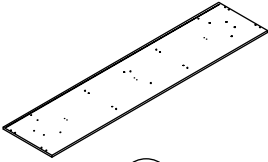
① X1



② X2



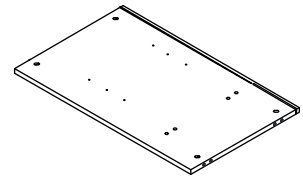
③ X2



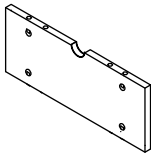
④ X1



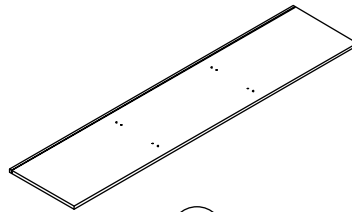
⑤ X1



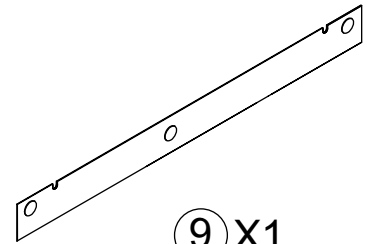
⑥ X1



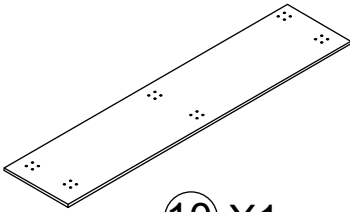
⑦ X2



⑧ X1



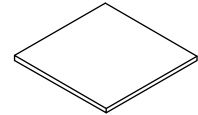
⑨ X1



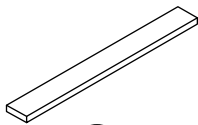
⑩ X1



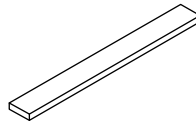
⑪ X6



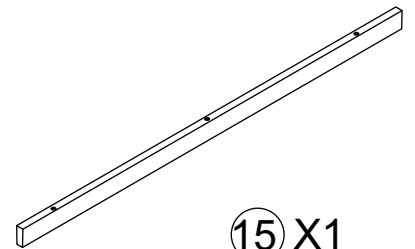
⑫ X2



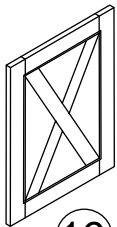
⑬ X1



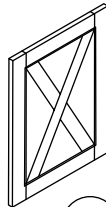
⑭ X1



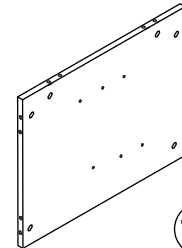
⑮ X1



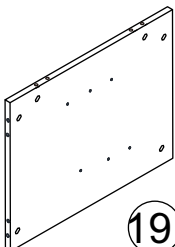
⑯ X1



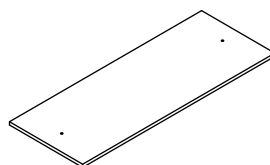
⑰ X1



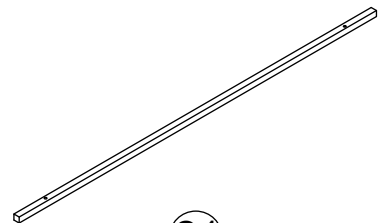
⑱ X1



⑲ X1

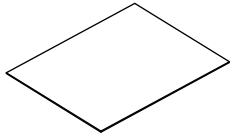


⑳ X1

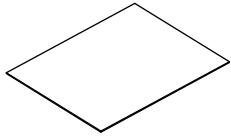


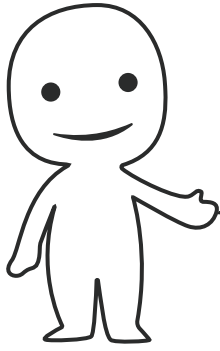
㉑ X1

Parts List

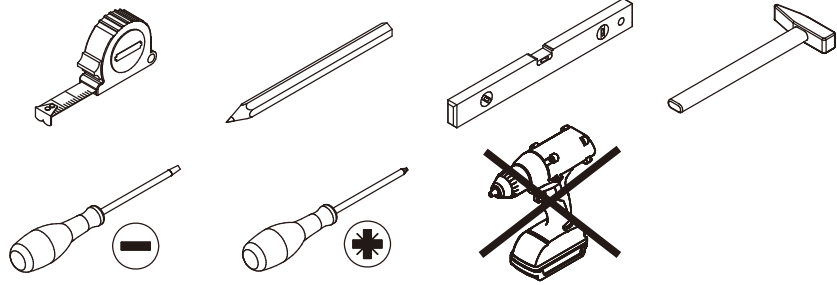


②2 X2

| | | |
|--|--|--|
|  ②2 X2 | | |
| | | |
| | | |



Please prepare the following tools



When installing, please carefully confirm whether each screw corresponds to the manual, accessories with similar shapes can be distinguished by size

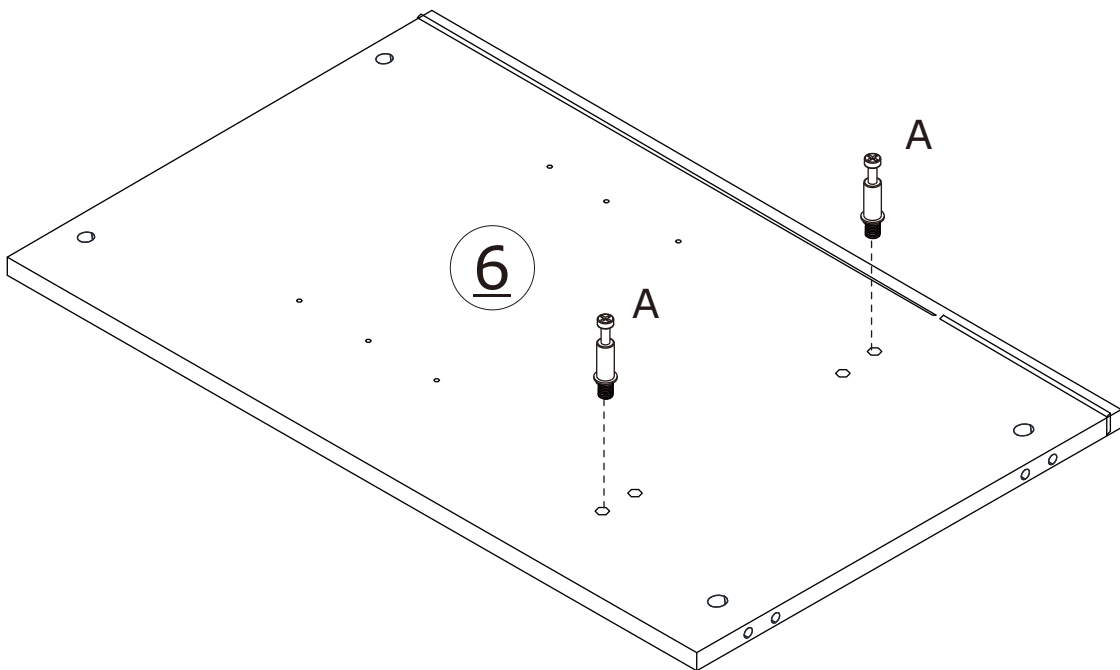
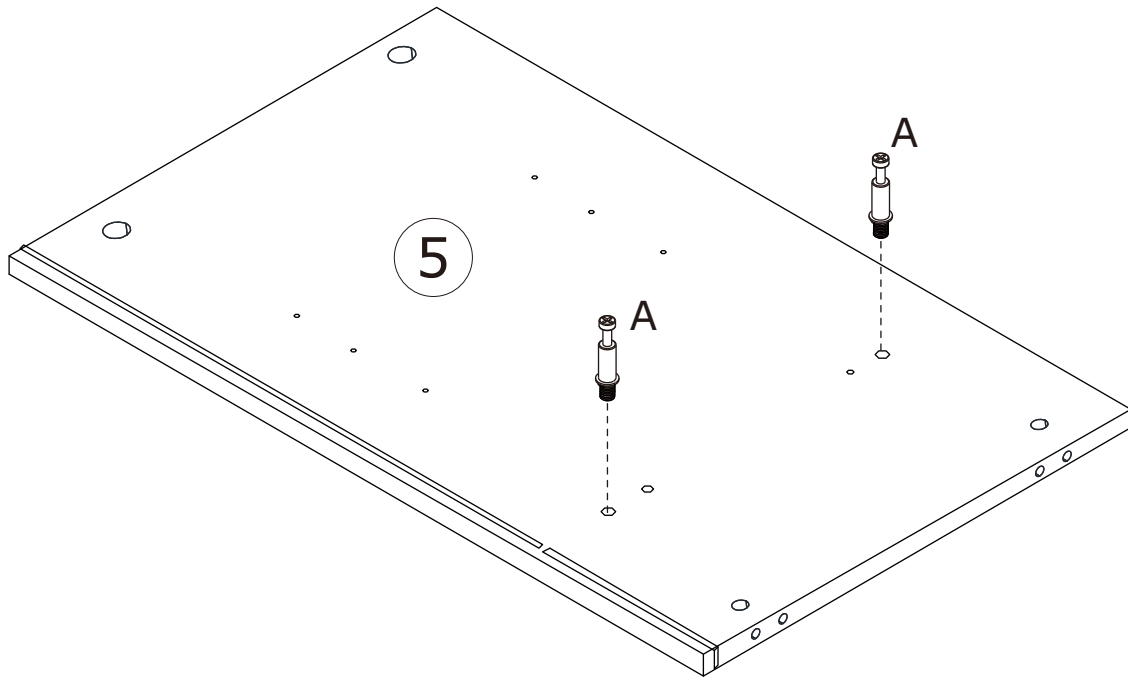
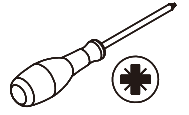
| | | | | |
|--|---|---|--|---|
| <p>A x 47+4</p>  <p>∅5 x 31mm</p> | <p>B x 47+4</p>  <p>∅15 x 11mm</p> | <p>C x 46+4</p>  <p>∅8 x 30 mm</p> | <p>D x 2</p>  | <p>E x 2</p>  |
| <p>F x 10+1</p>  <p>M5*40mm</p> | <p>G x 24+2</p>  <p>∅6X30mm</p> | <p>H x55+ 2</p>  | <p>J x 6</p>  | <p>K x 4</p>  |
| <p>L x 2</p>  | <p>M. x 13+1</p>  | <p>N x24+3</p>  <p>∅3X14mm</p> | <p>P x 2</p>  <p>∅4 x 18mm</p> | <p>Q x 1</p>  |
| <p>R x 3</p>  <p>∅6X25mm</p> | <p>Sx 24+1</p>  | <p>T x 54+4</p>  <p>∅3X12mm</p> | <p>U x 12+1</p>  | <p>V x 8</p>  <p>∅4 x 12mm</p> |
| <p>Wx1</p>  | <p>X x 2 +1</p>  <p>∅3. 5X14mm</p> | <p>Y x 1</p>  | <p>Z x 2</p>  <p>∅8X55mm</p> <p>∅4X14mm</p> | <p>+2</p>  <p>SPARE BAG</p> |

1

A x 4



Ø 5 x 35 mm

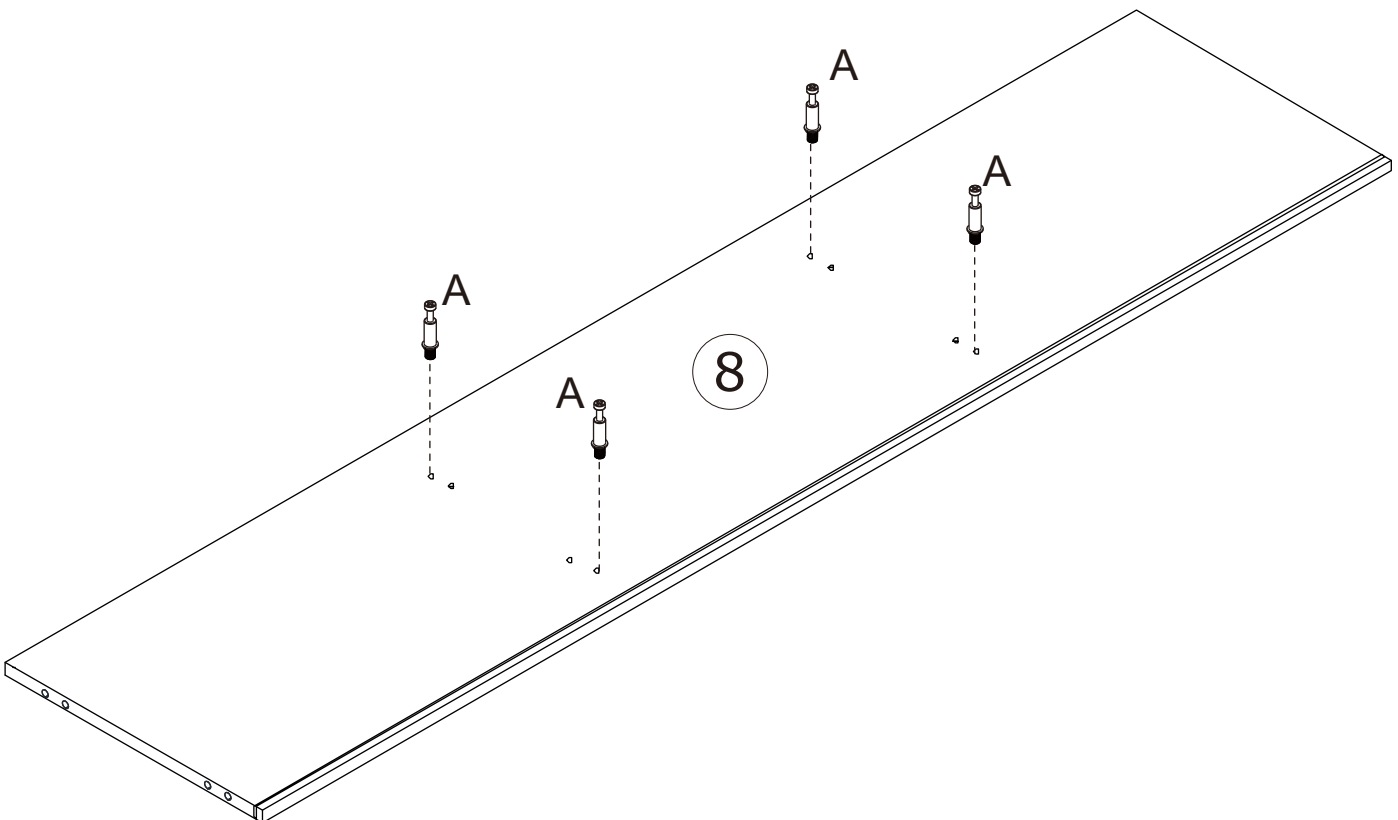
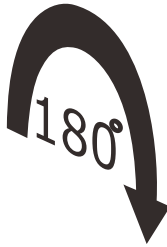
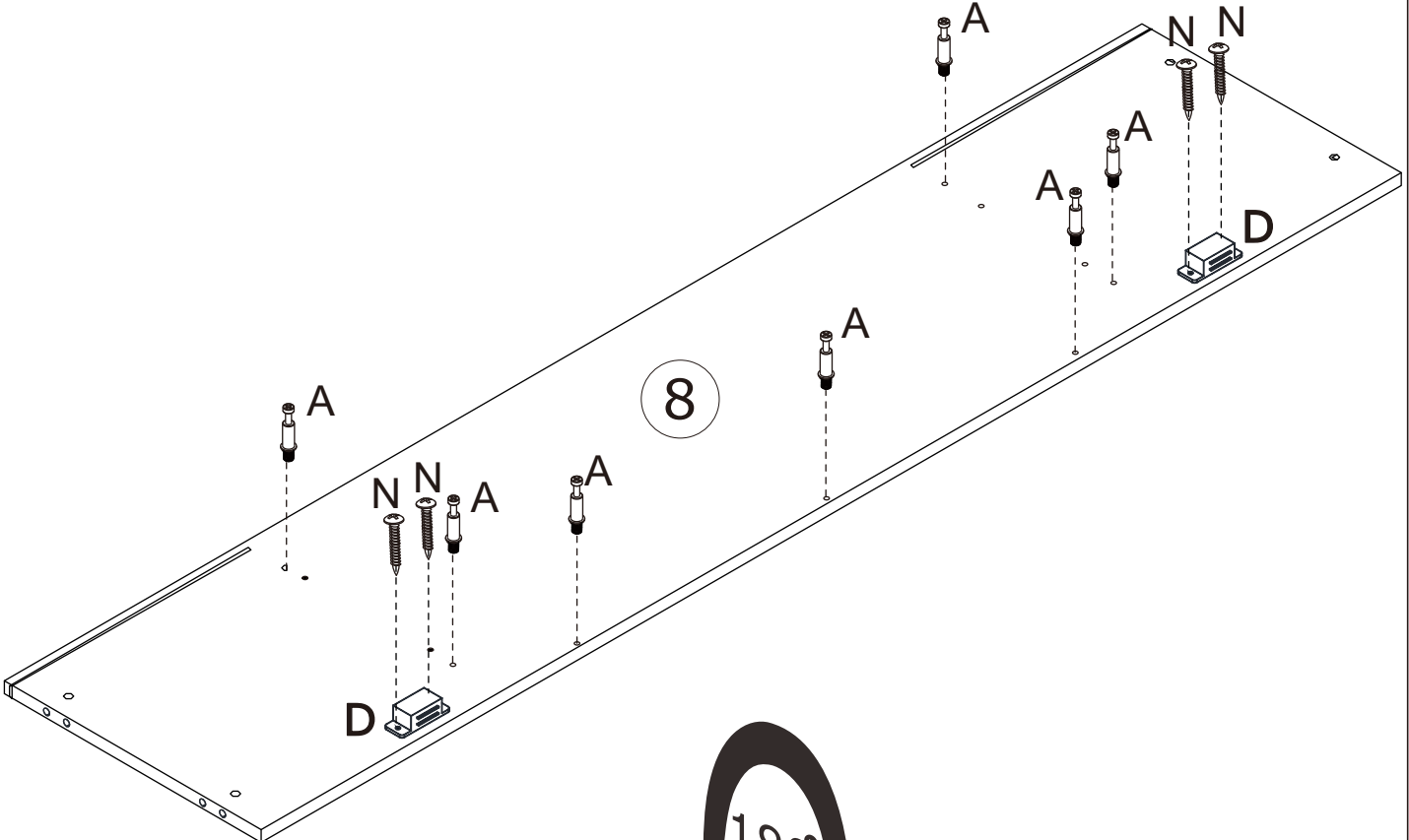


2

A x 11
Ø 5 x 35 mm

D x 2

N x 4
Ø 3 x 14 mm



3

B x 4

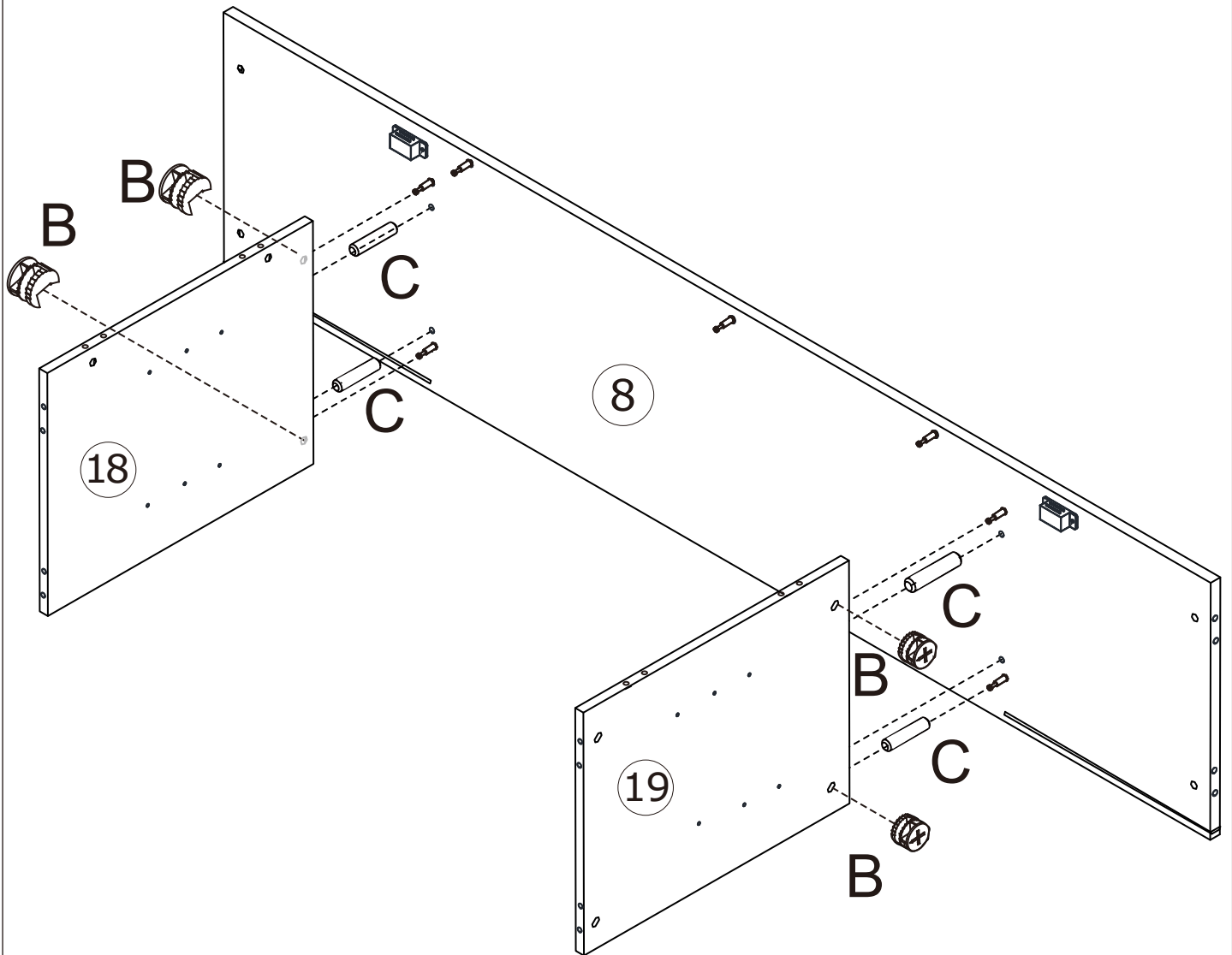
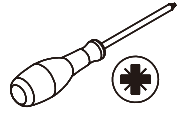


Ø 15 x 11 mm

C x 4



Ø 8 x 30 mm



4

B x 8

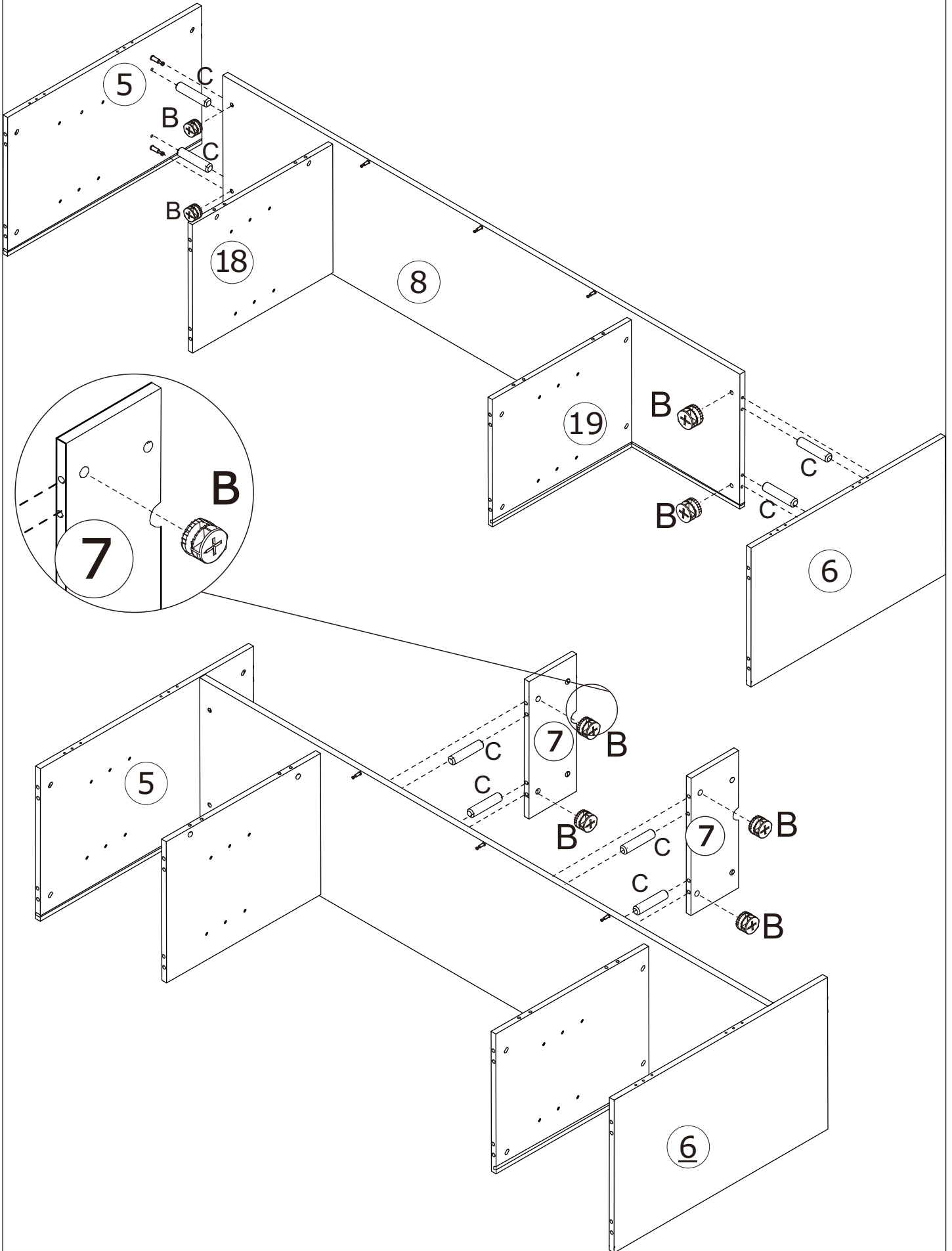
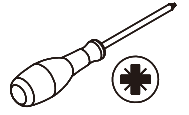


Ø 15 x 11 mm

C x 8



Ø 8 x 30 mm

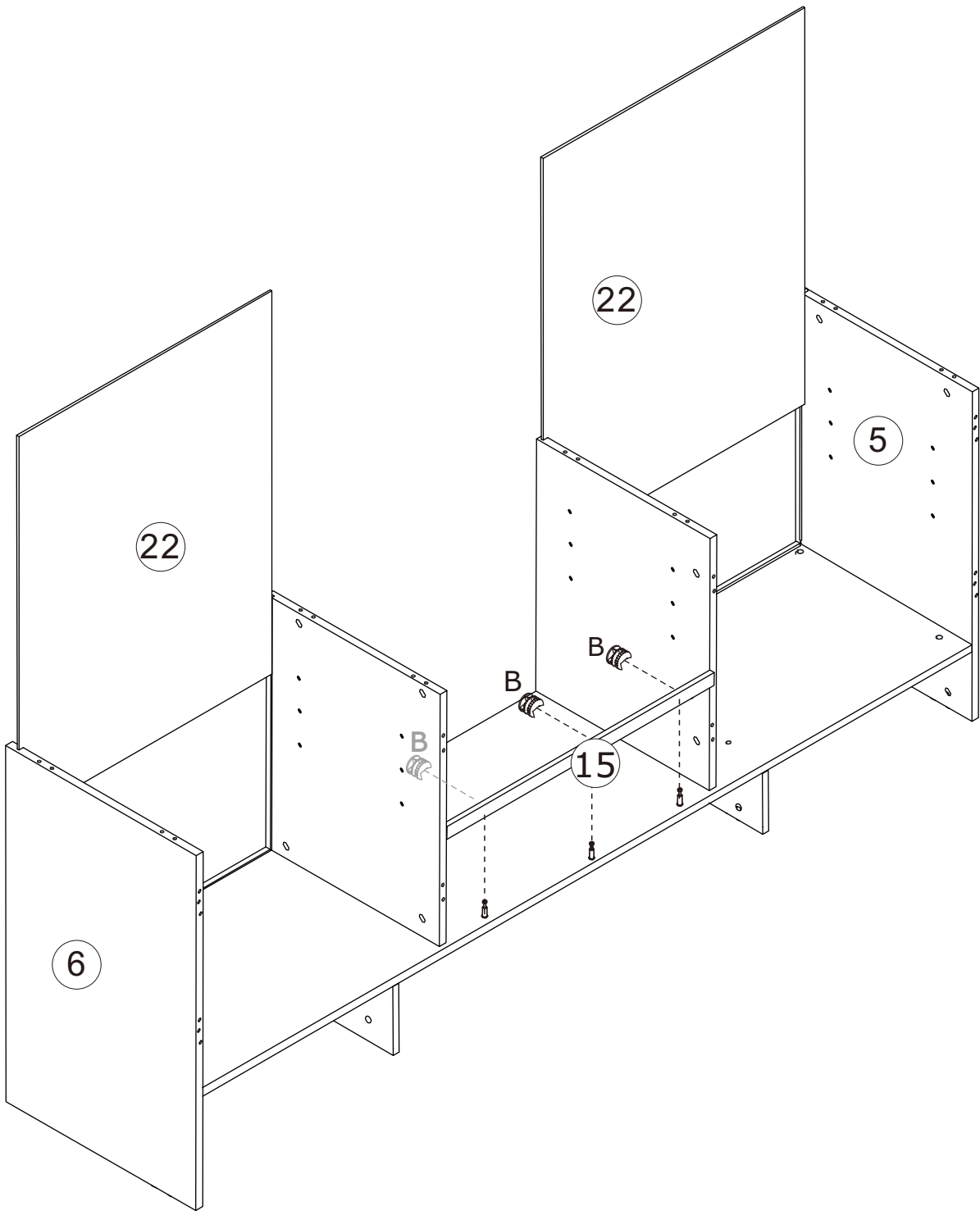
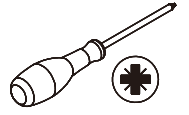


5

B x 3

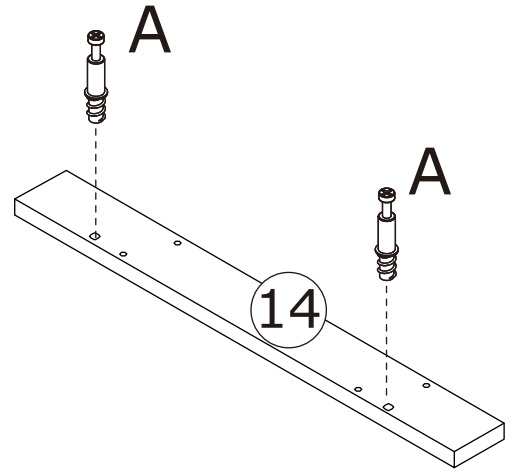
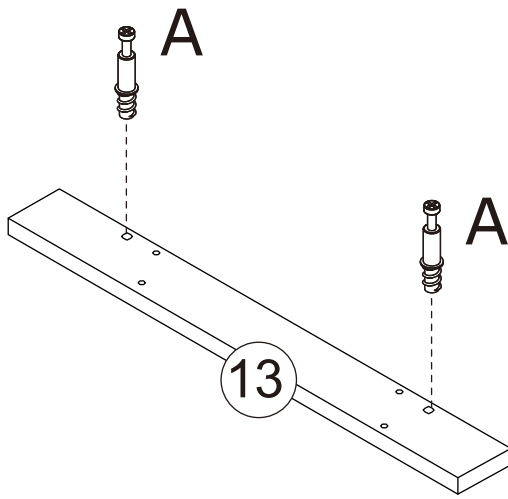


Ø 15 x 11 mm



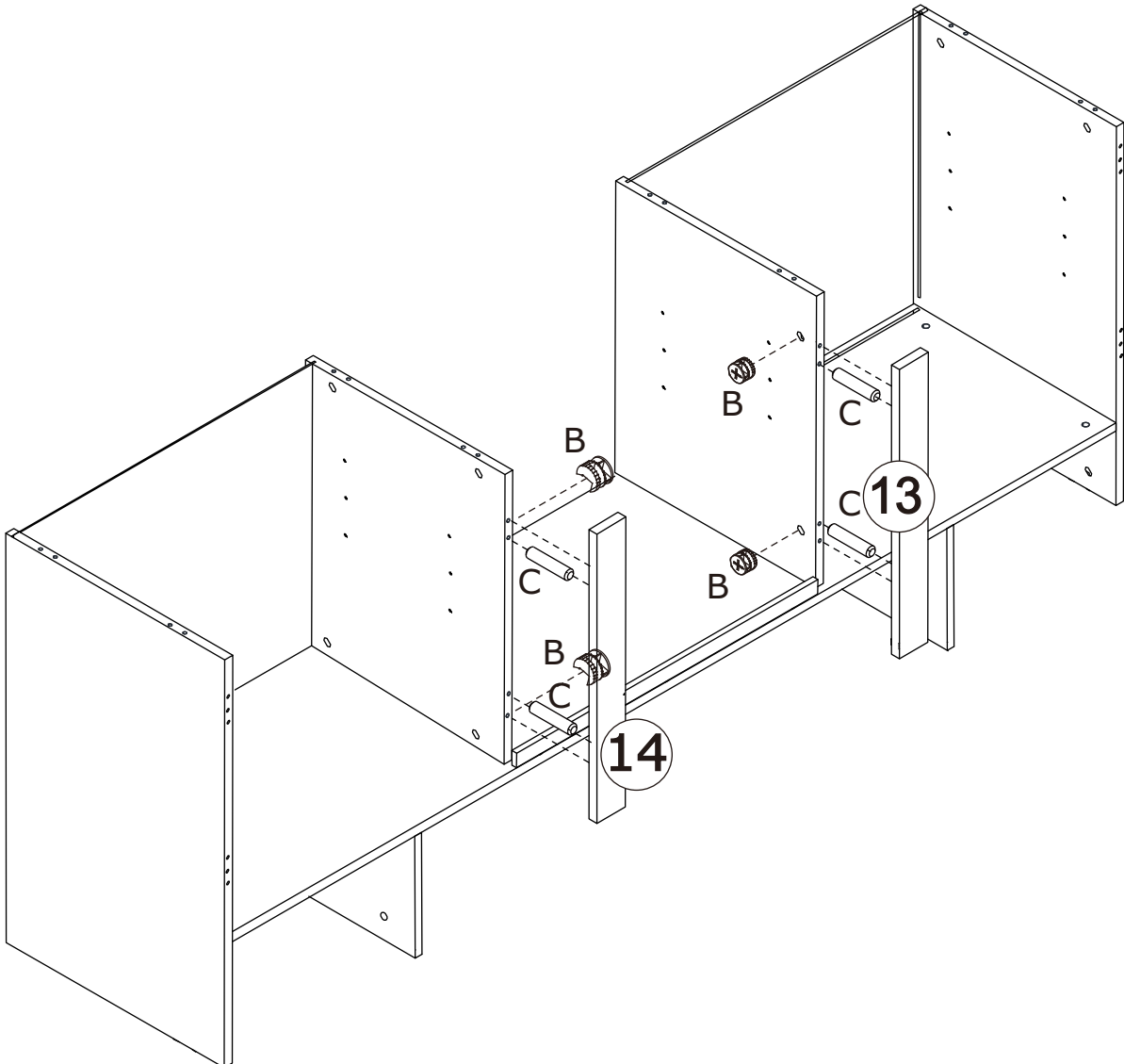
6

| | | |
|---|--|---|
| A x 4  Ø 6 x 35 mm | |  |
|---|--|---|

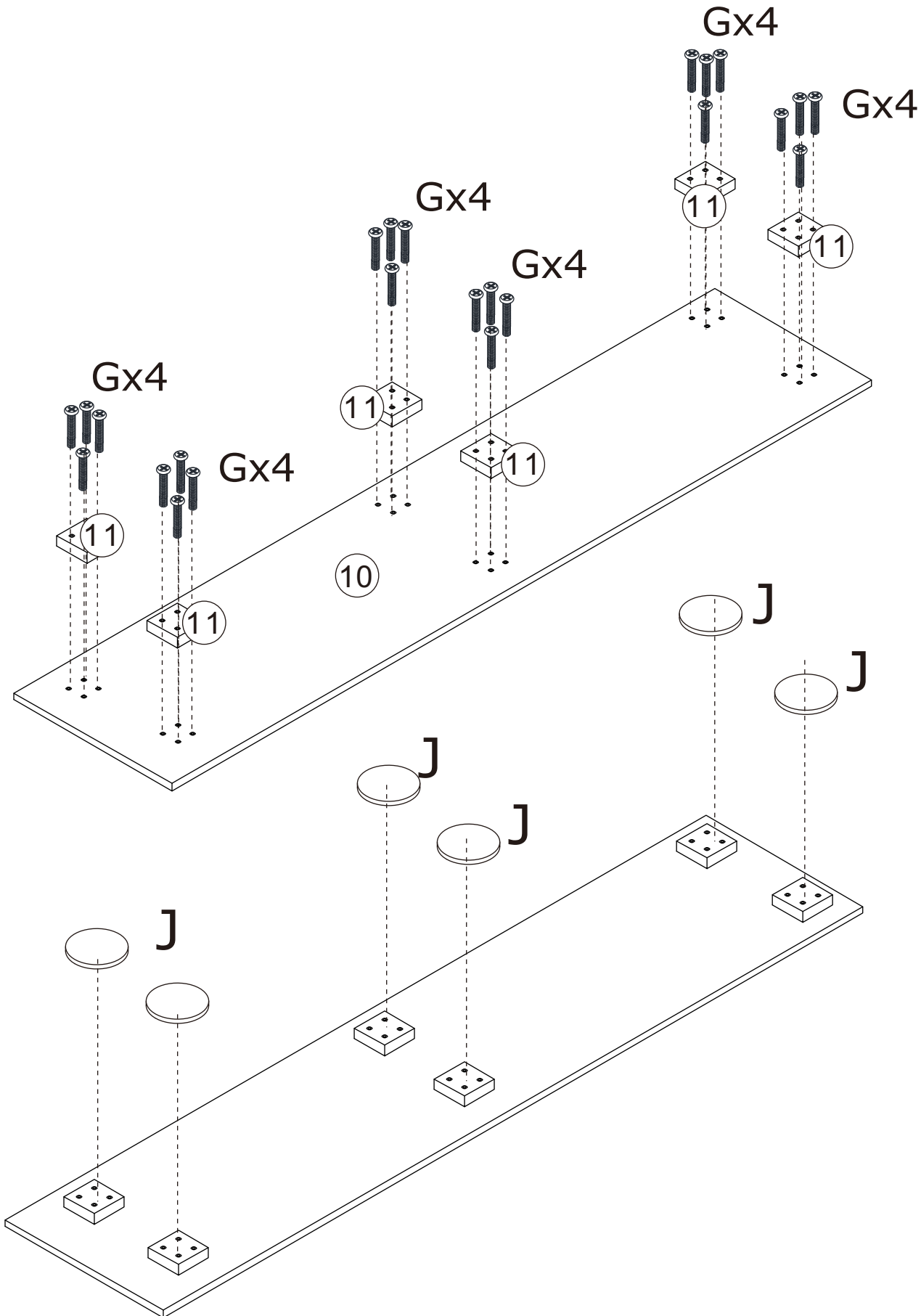
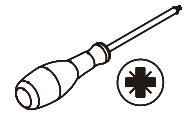
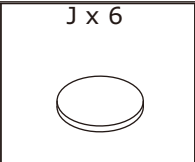


7

| | | |
|--|---|---|
| B x 4  Ø 15 x 11 mm | C x 4  Ø 8 x 30 mm |  |
|--|---|---|

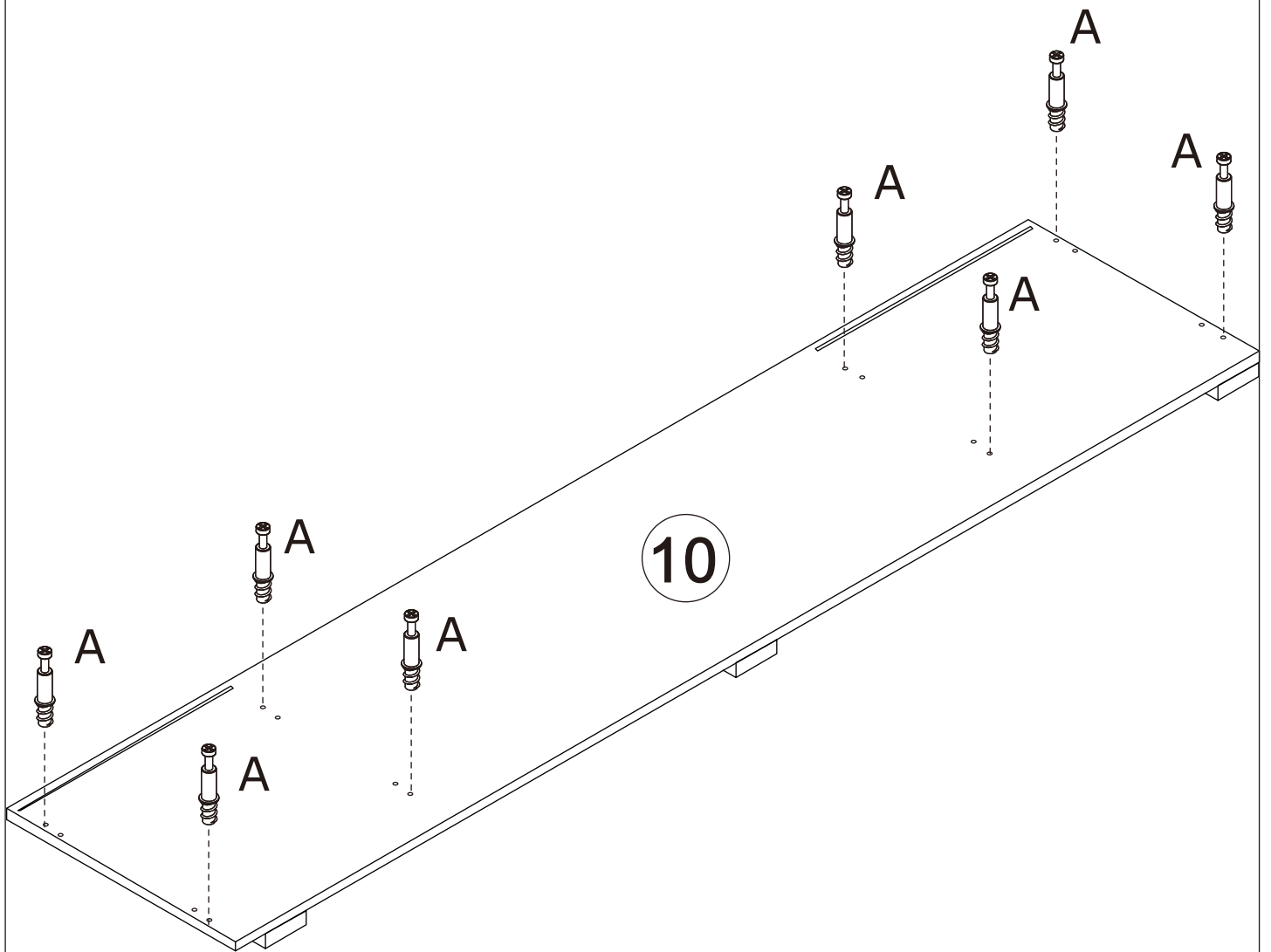
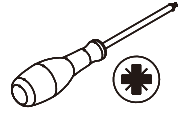


8



9

A x 8
Ø 6 x 35 mm



10

B x 8

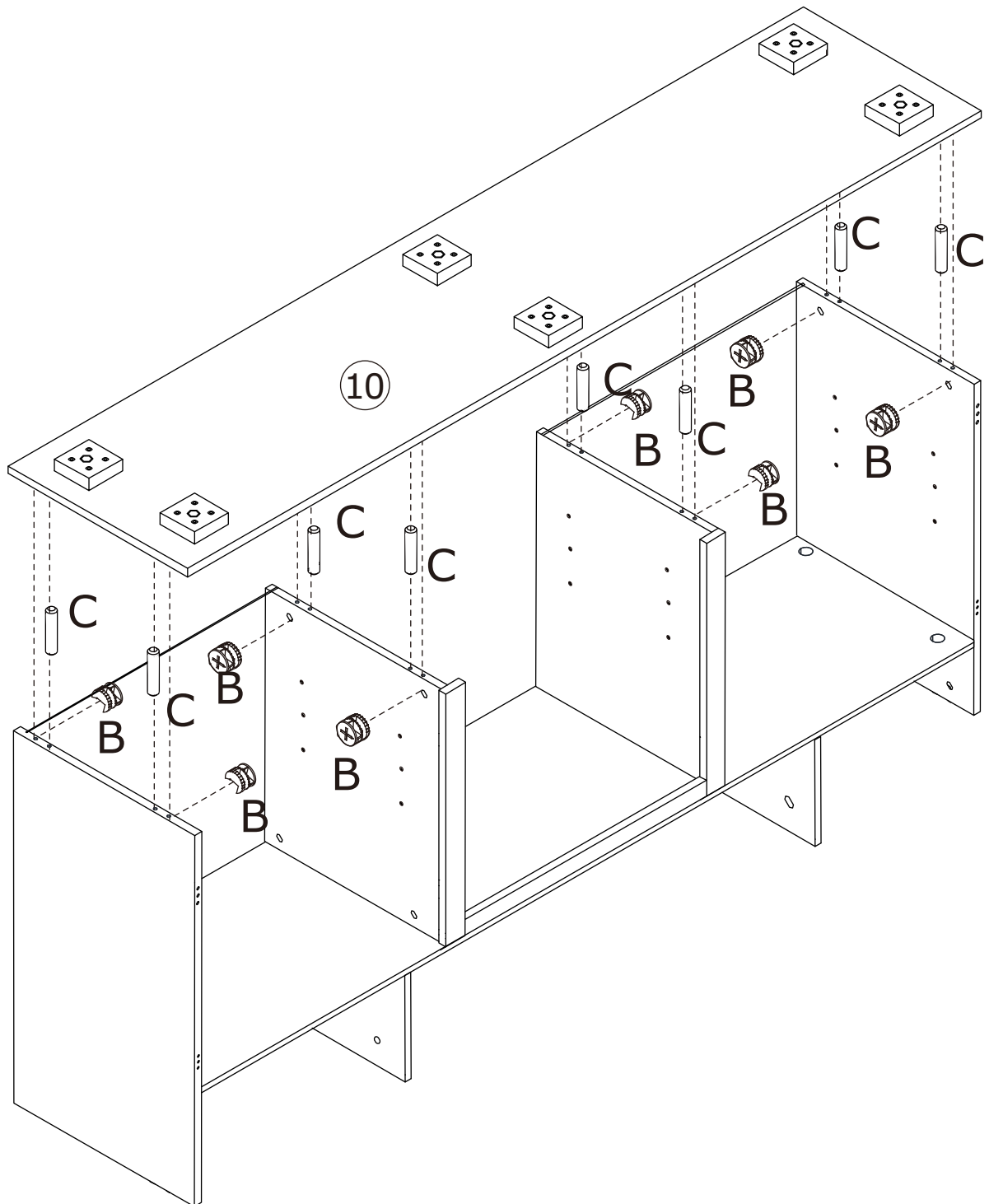
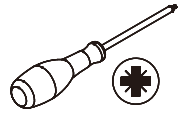


Ø 15 x 11 mm

C x 8

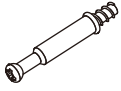


Ø 8 x 30 mm

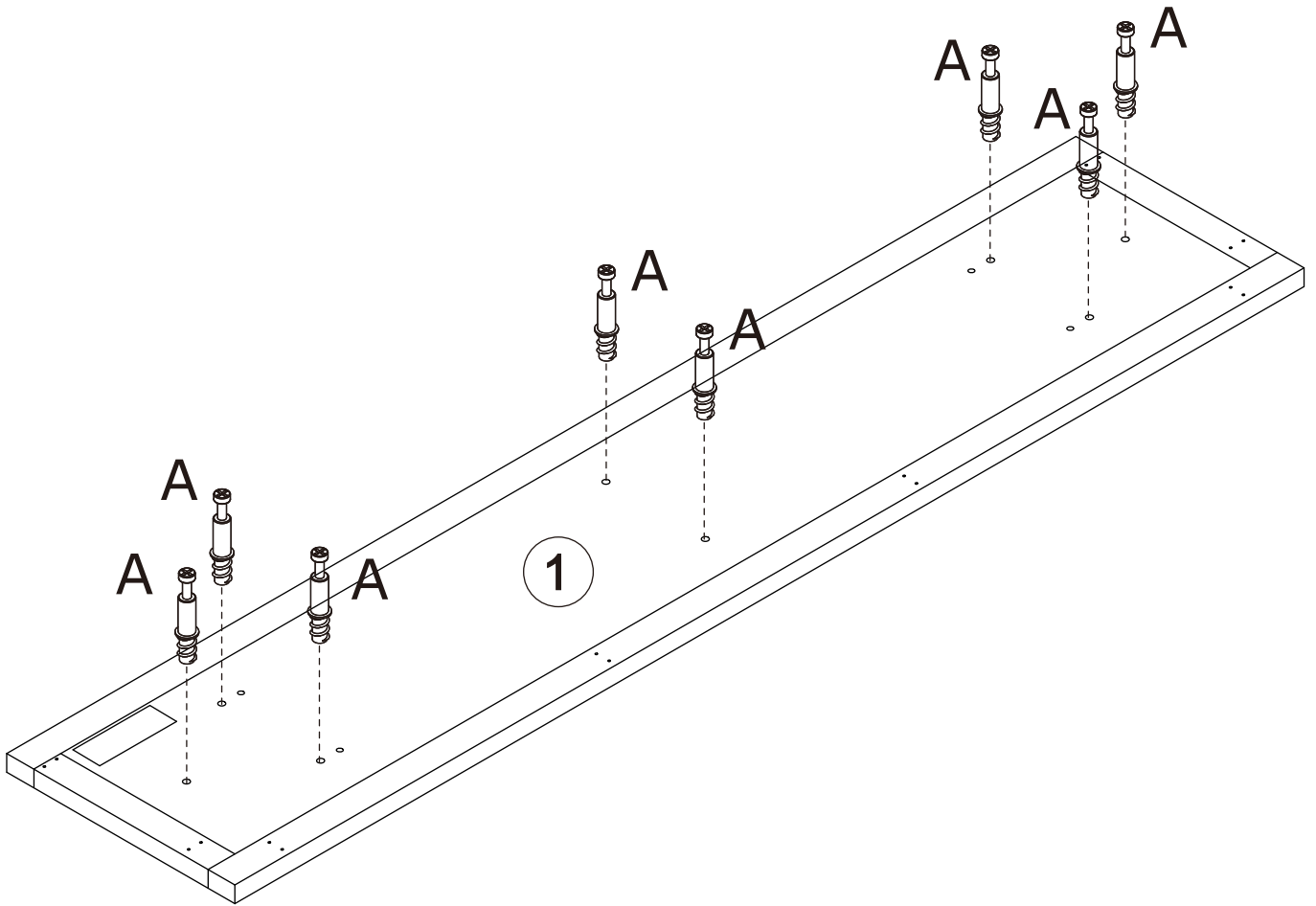
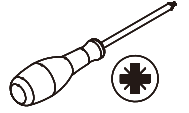


11

A x 8

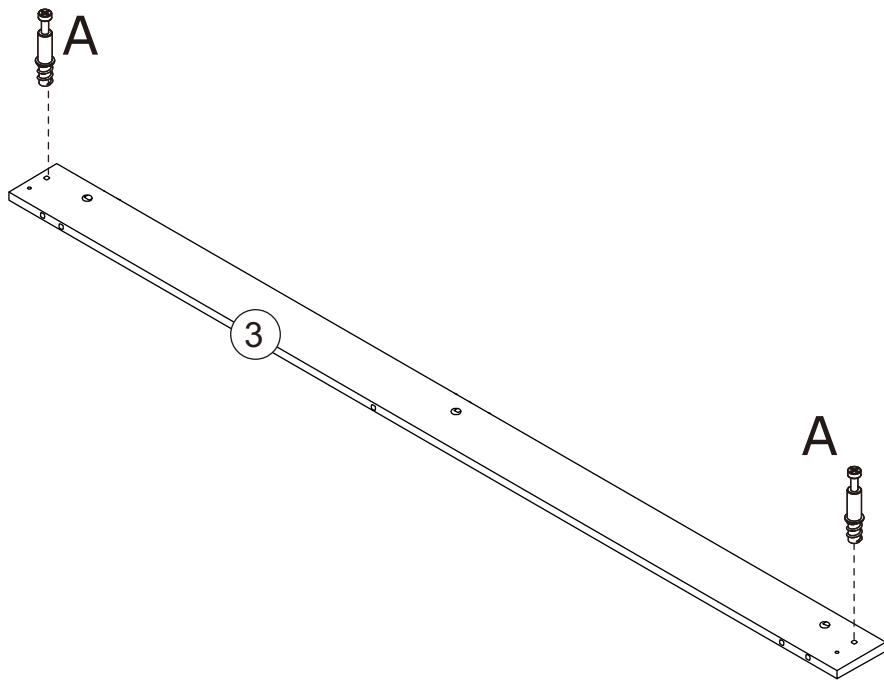


6 x 35 mm



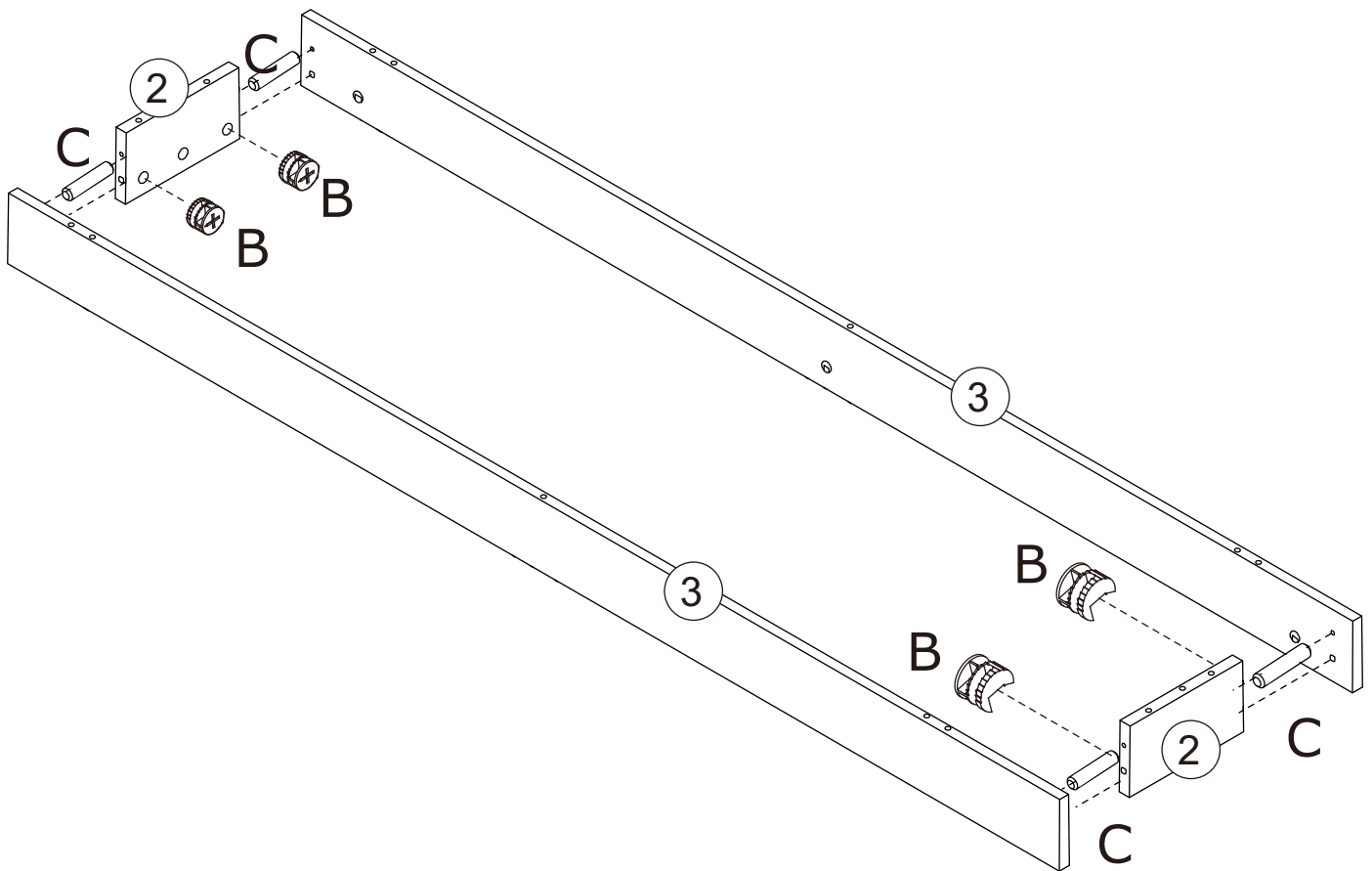
12

| | |
|---|---|
| <p>A x 4</p>  <p>Ø 6 x 35 mm</p> |  |
|---|---|



13

| | | |
|---|--|--|
| <p>B x 4</p>  <p>Ø 15 x 11 mm</p> | <p>C x 4</p>  <p>Ø 8 x 30 mm</p> |  |
|---|--|--|



14

B x 8

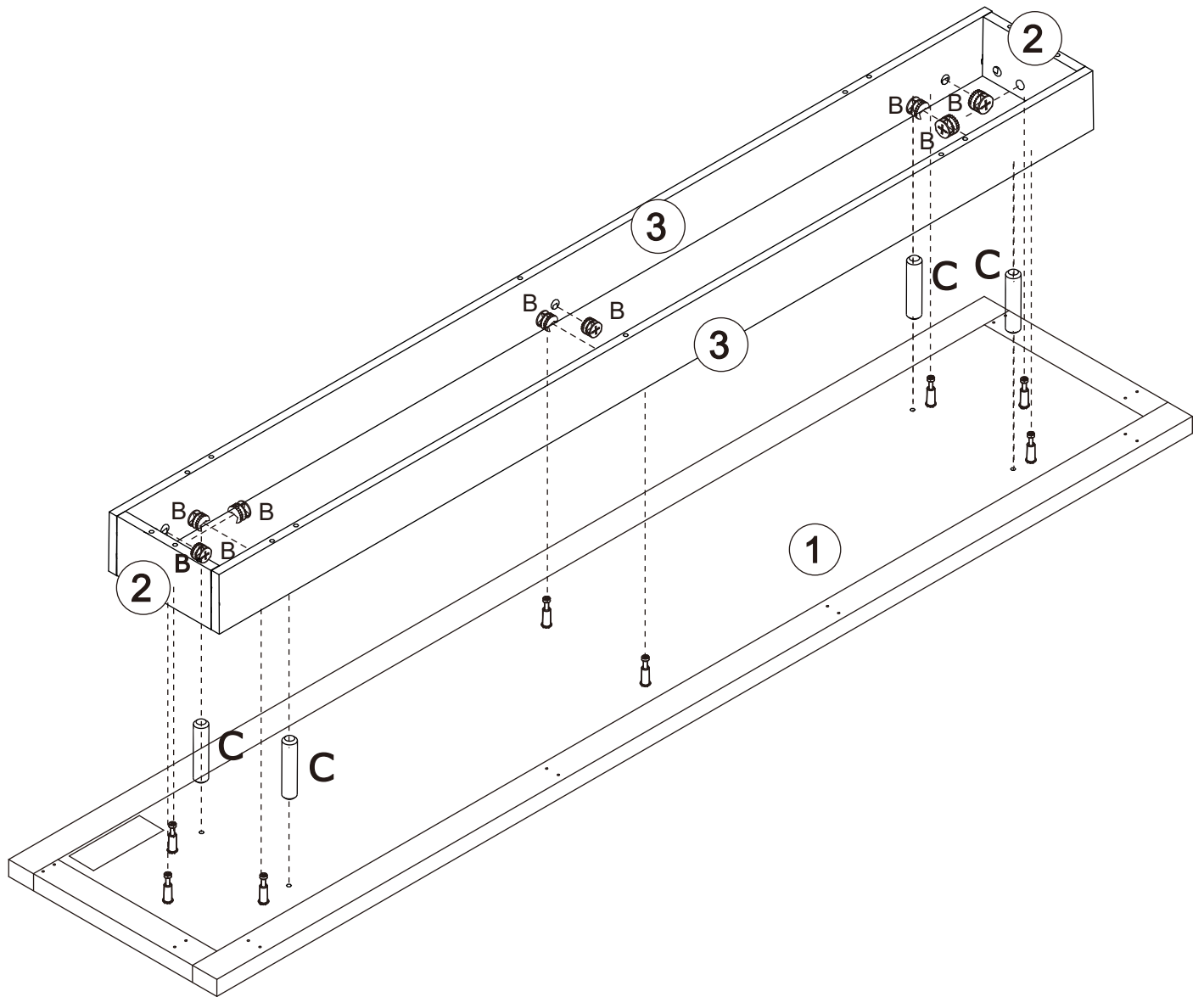
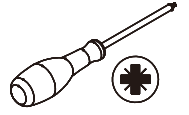


Ø 15 x 11 mm

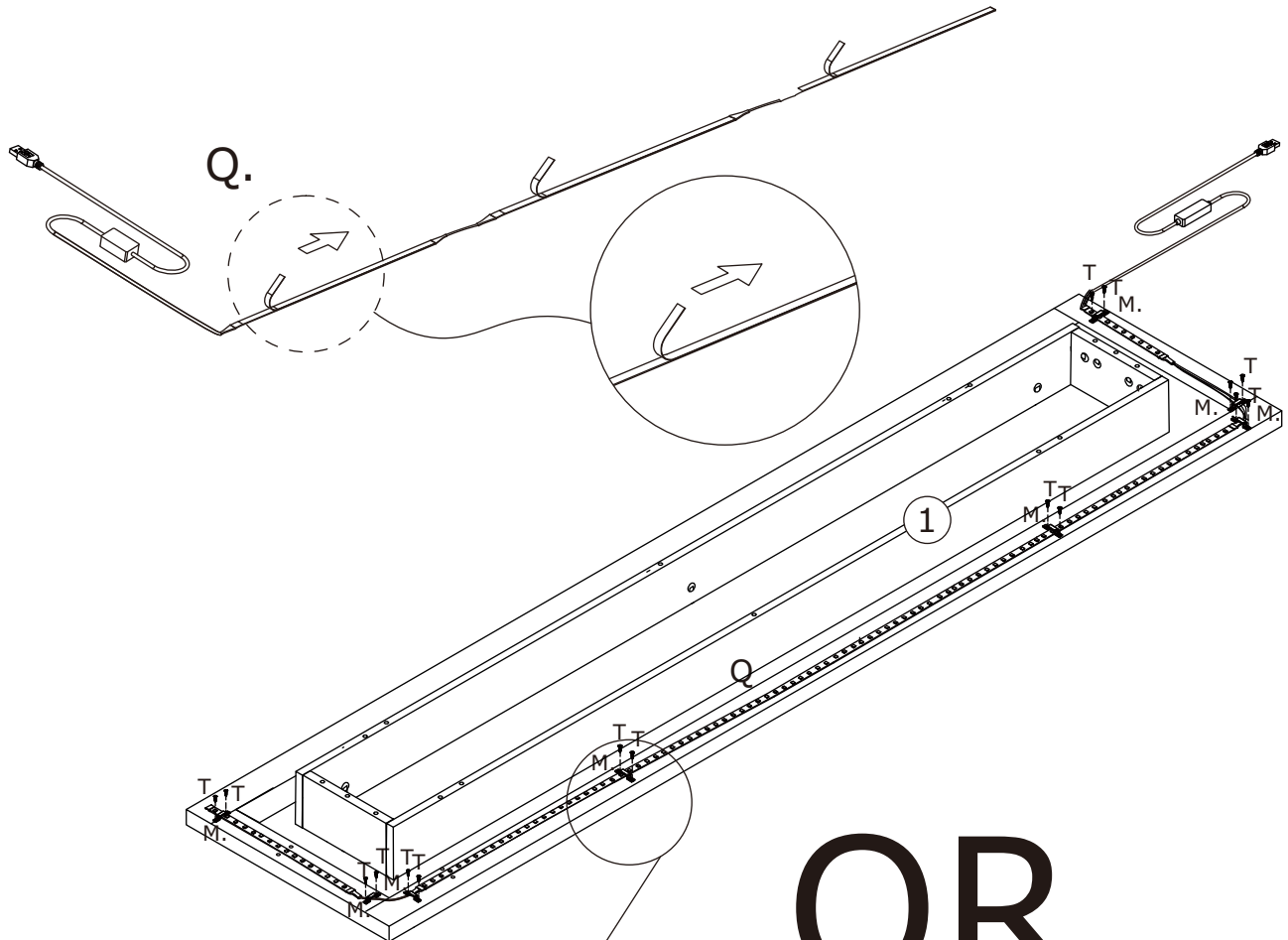
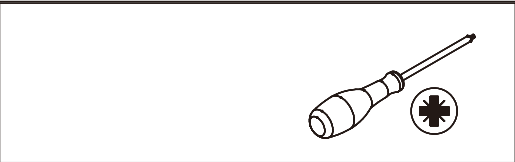
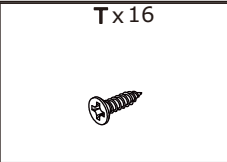
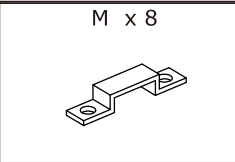
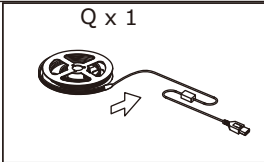
C x 4



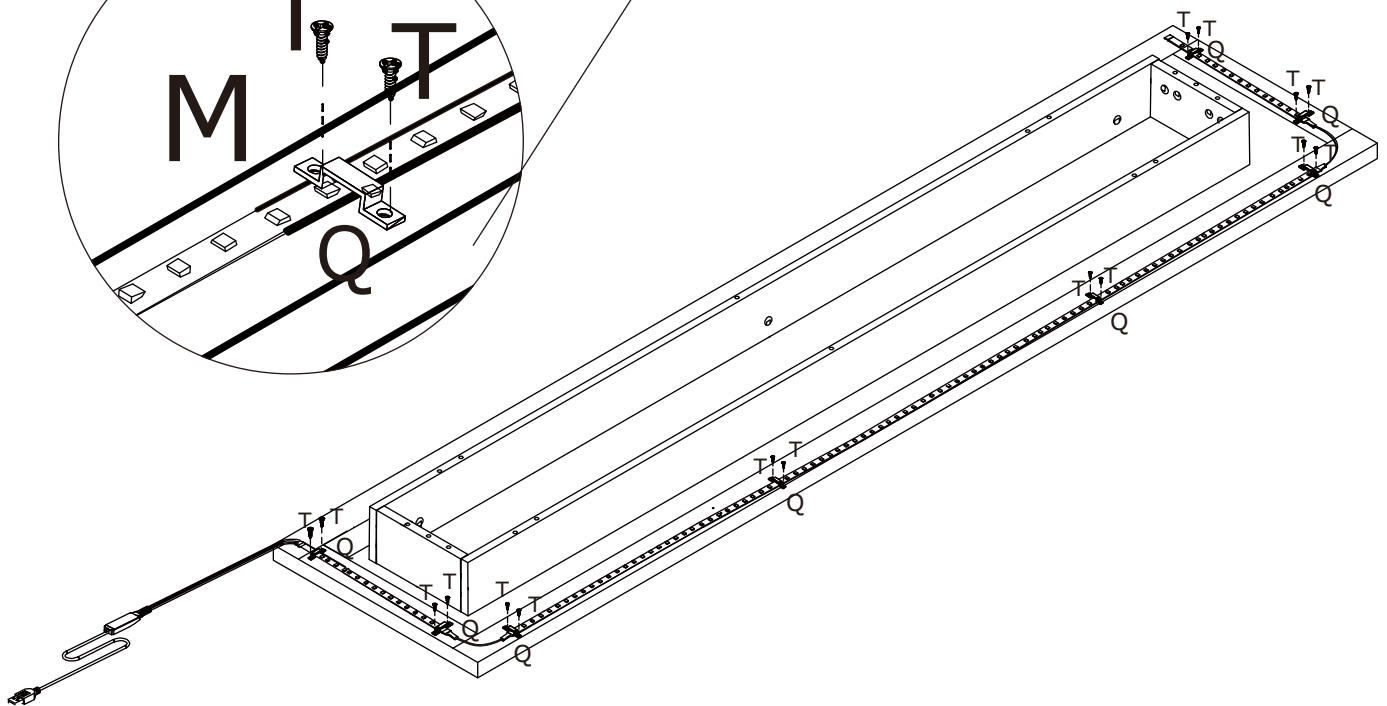
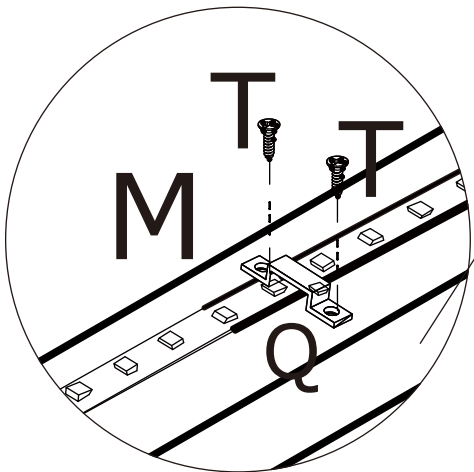
Ø 8 x 30 mm



15



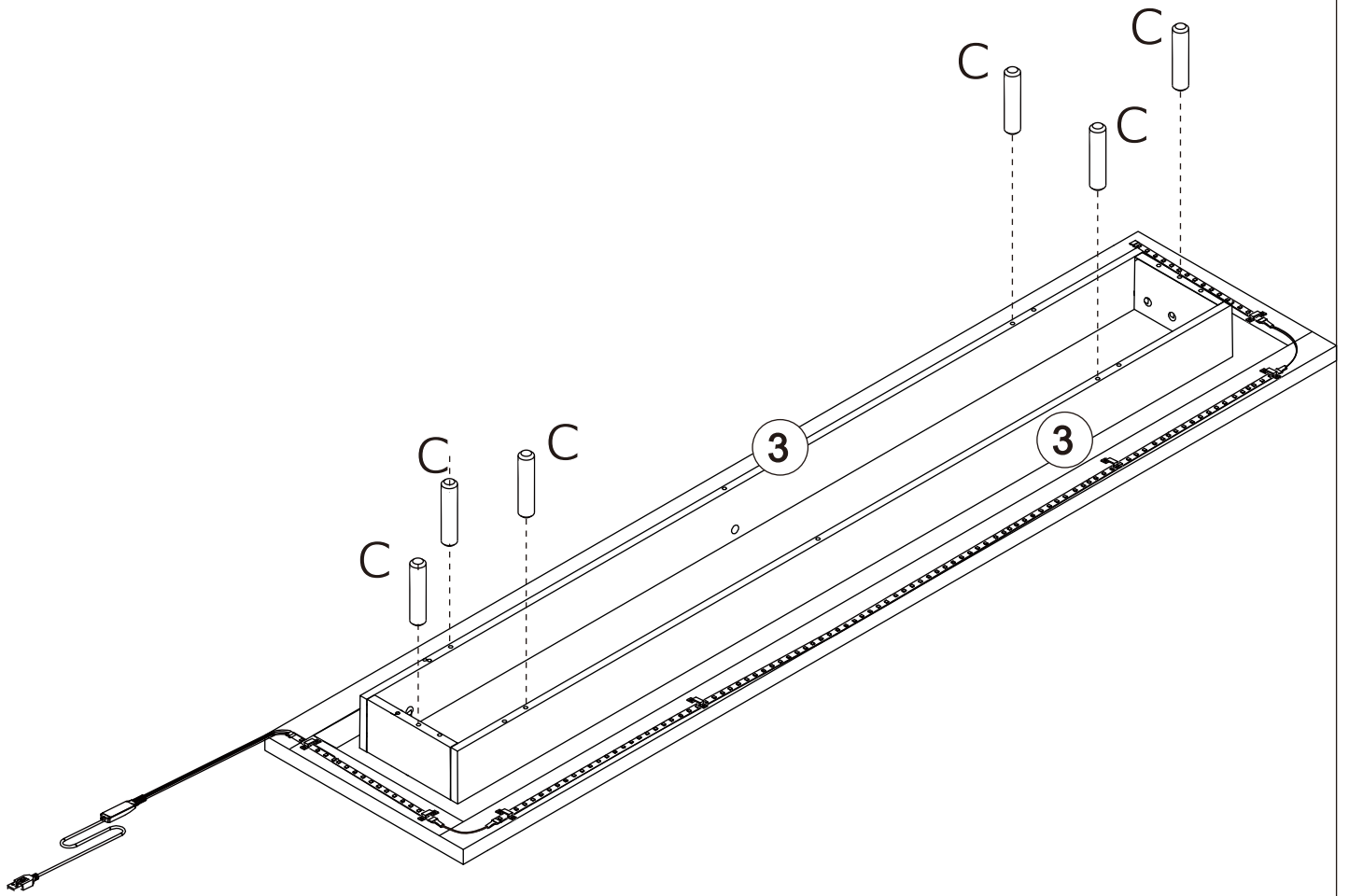
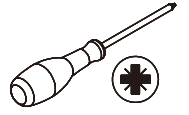
OR



16

C x 6

Ø8 x 30 mm

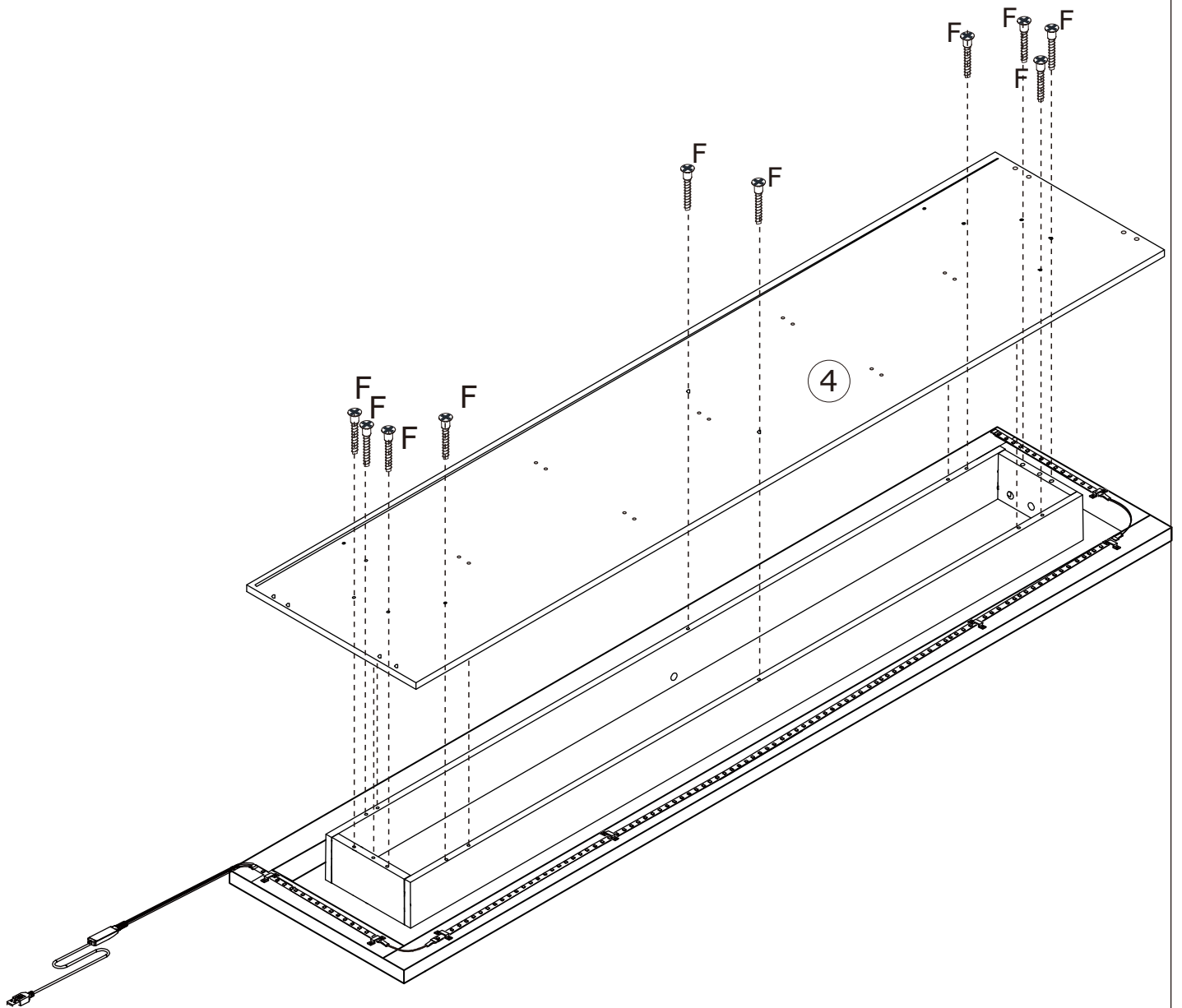
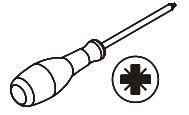


17

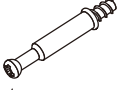

F x 10

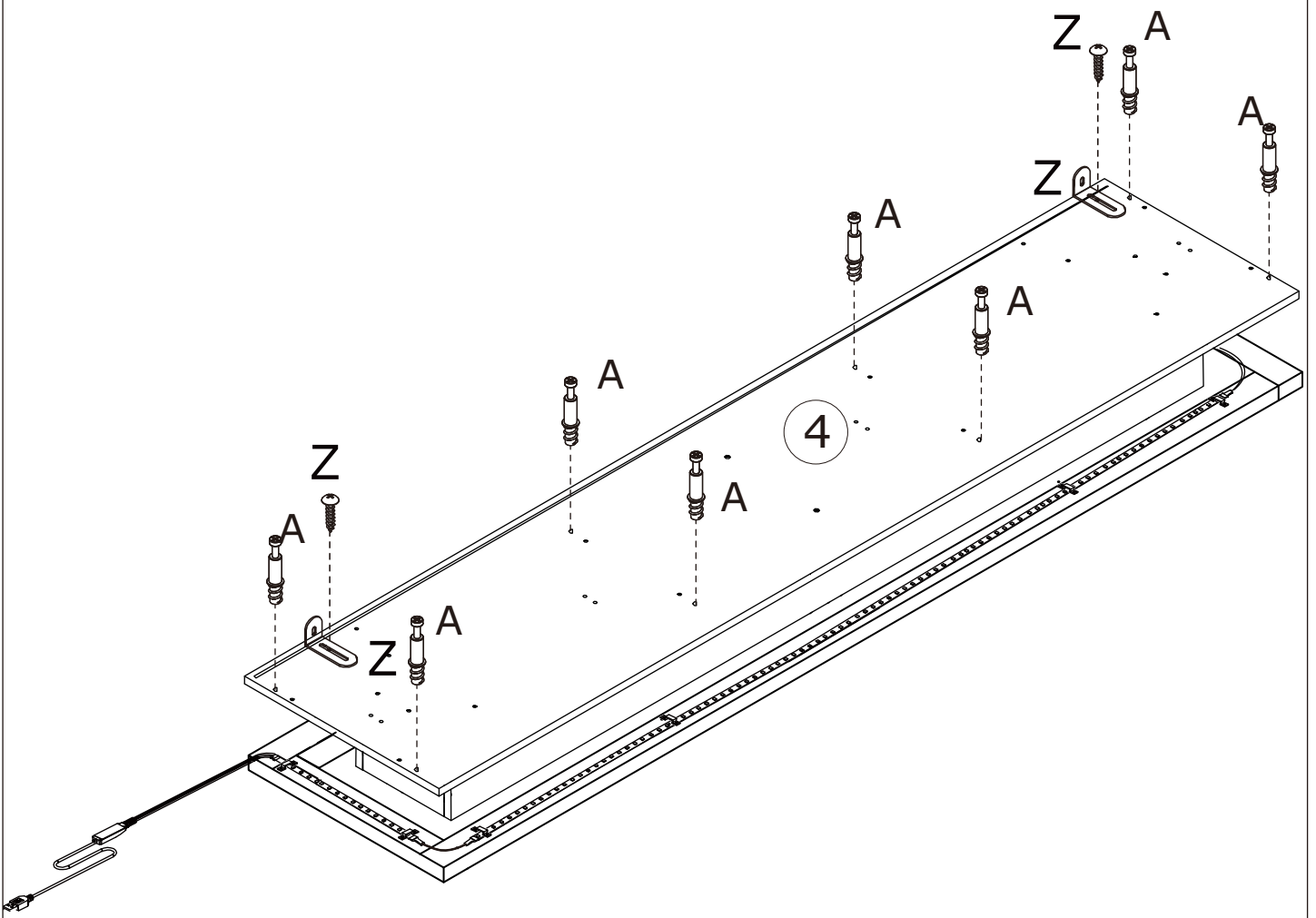
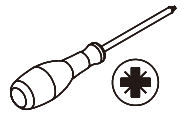


M5*40mm

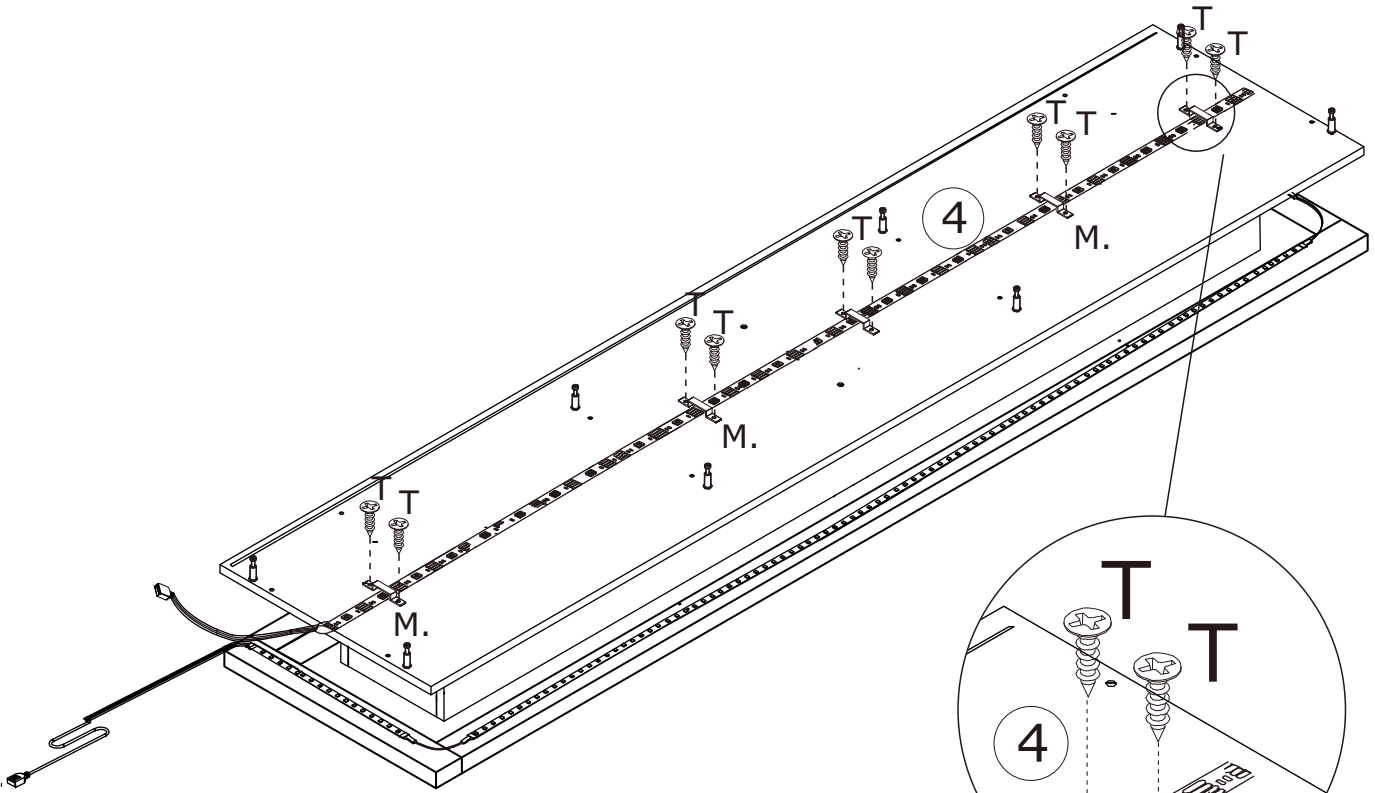
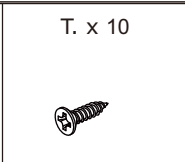
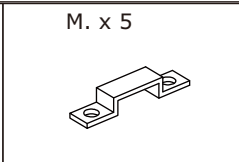
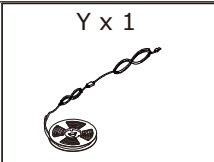


18

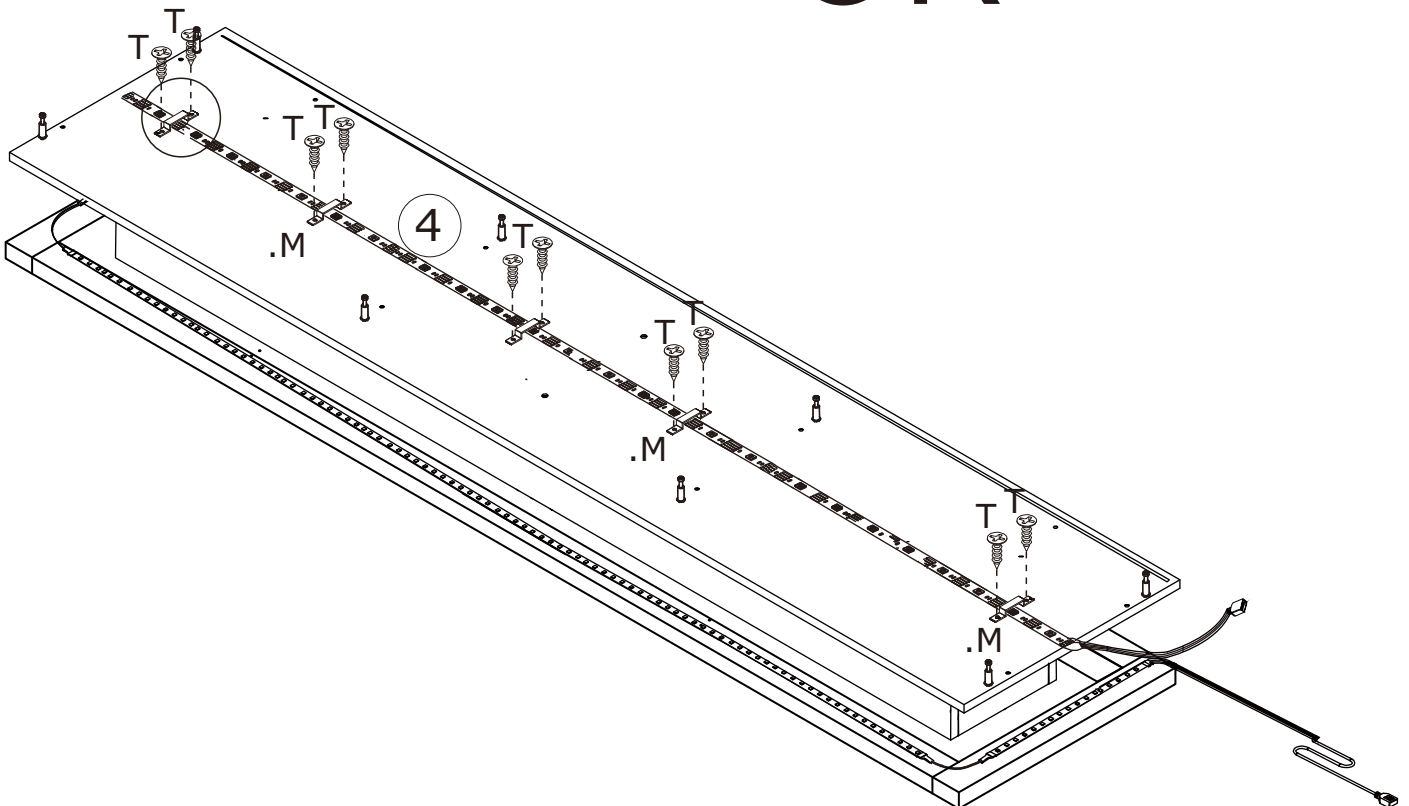
| | |
|---|---|
| <p>A x 8</p>  <p>Ø 6 x 35 mm</p> | <p>Z x 2</p>  <p>Ø 4 x 14 mm</p> |
|---|---|



19

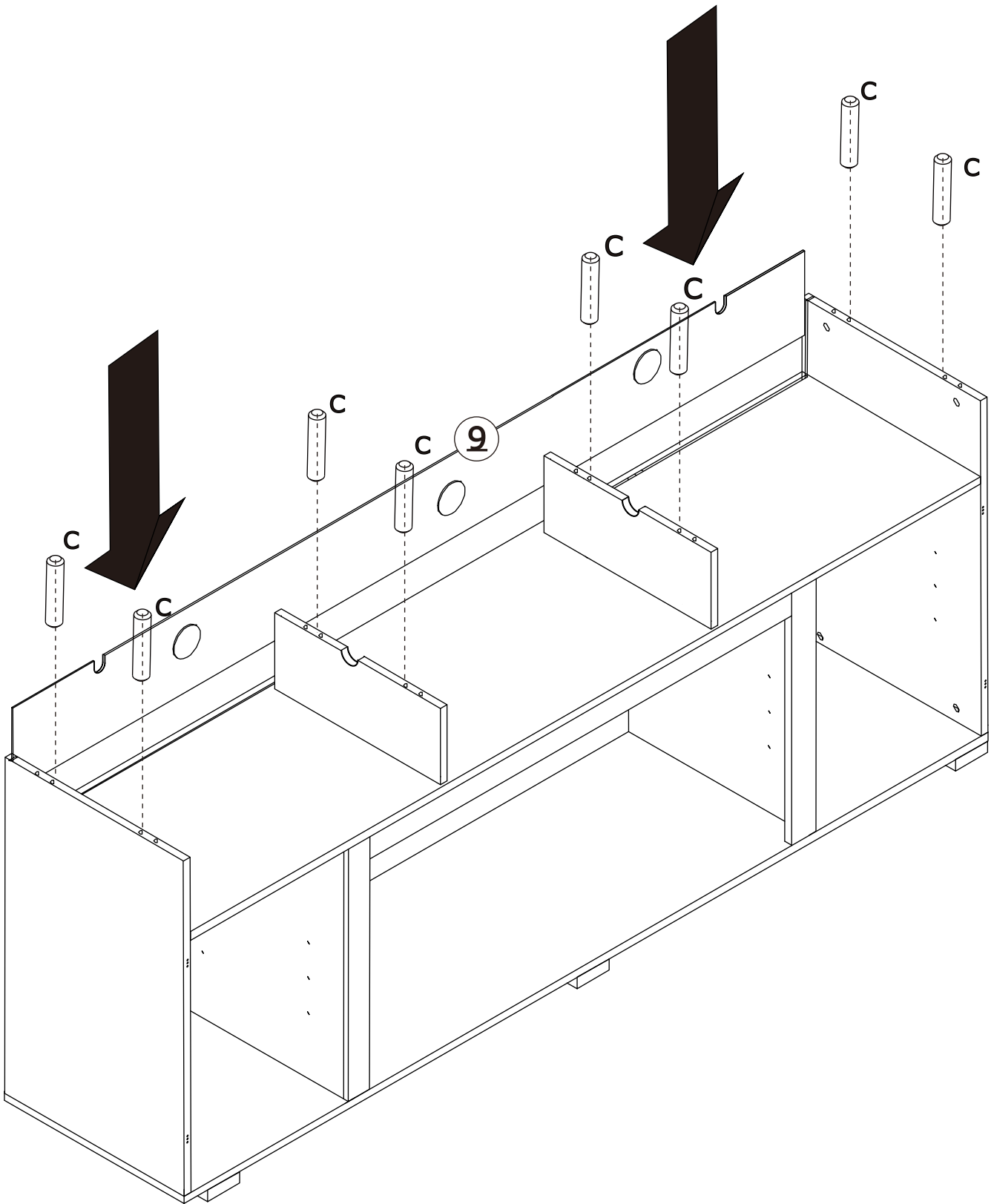
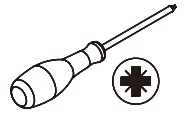
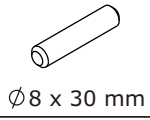


OR



20

C x 8

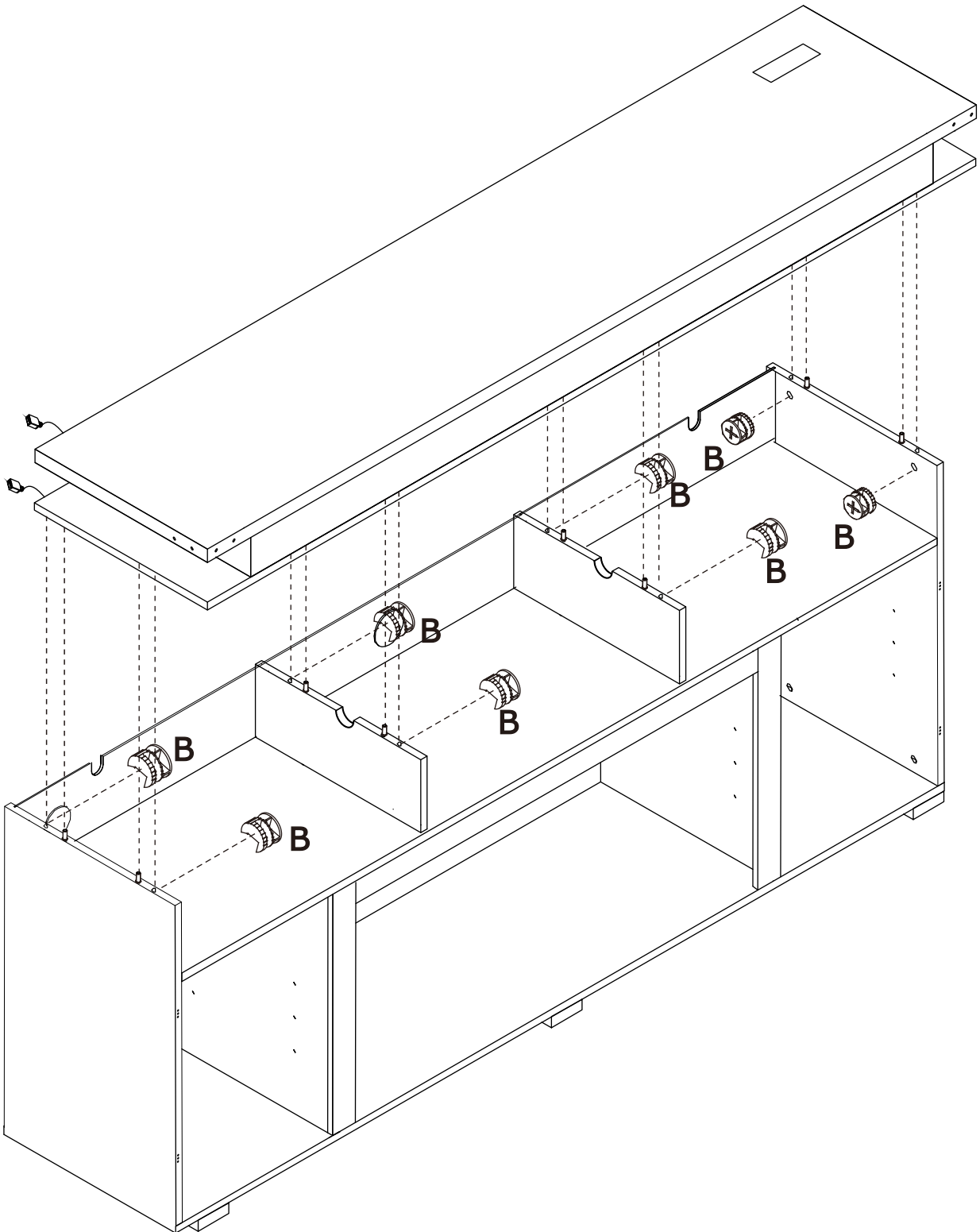
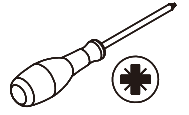


21

B x 8

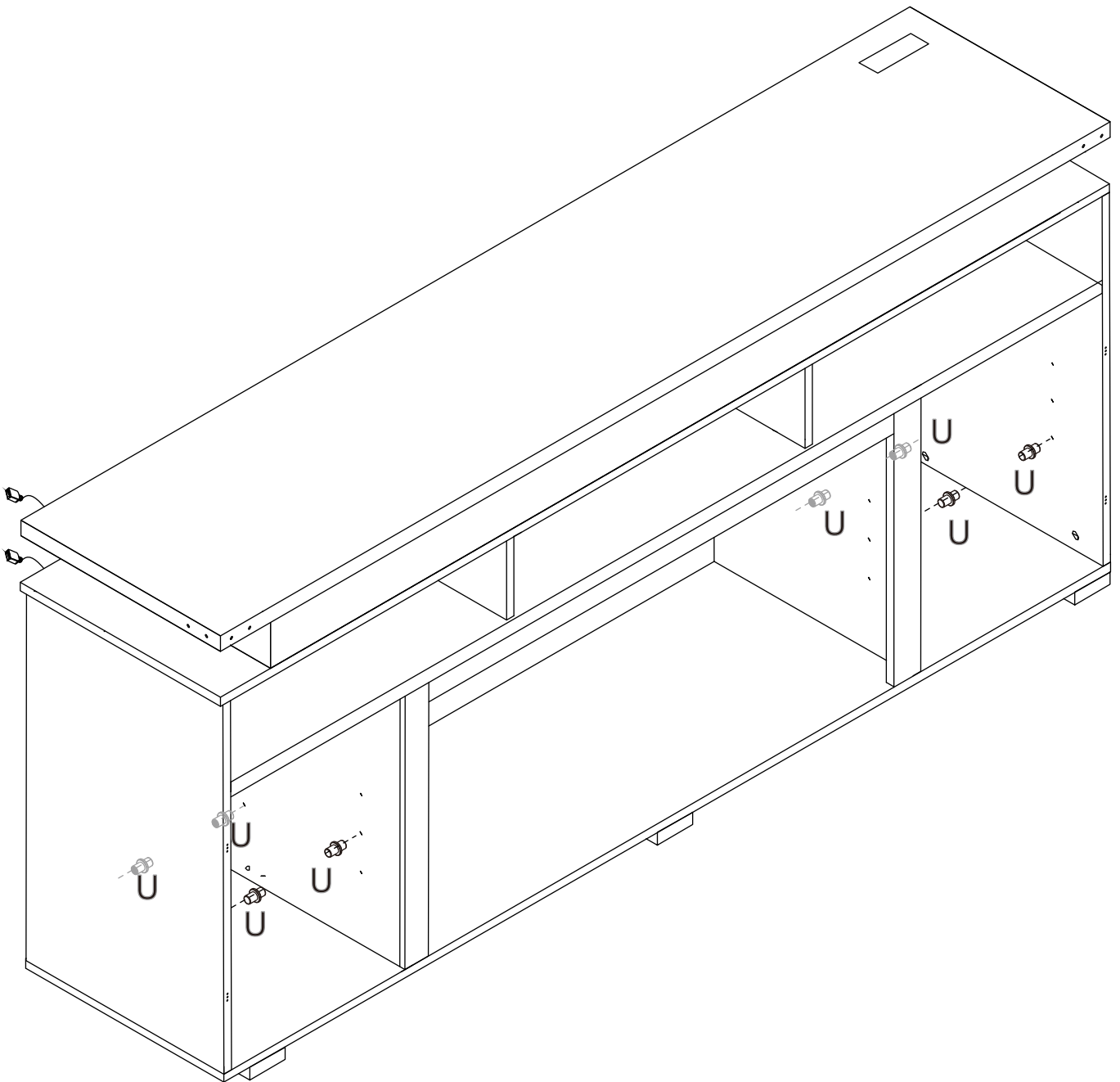
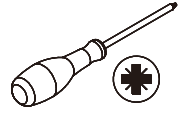
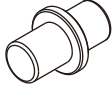


Ø 15 x 11 mm

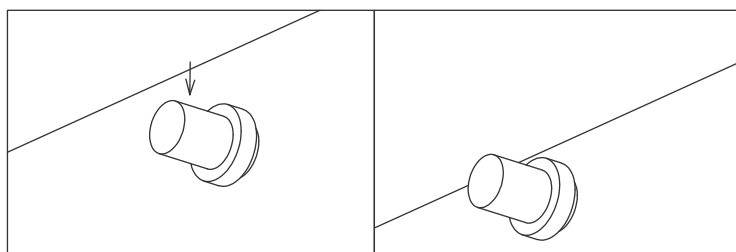
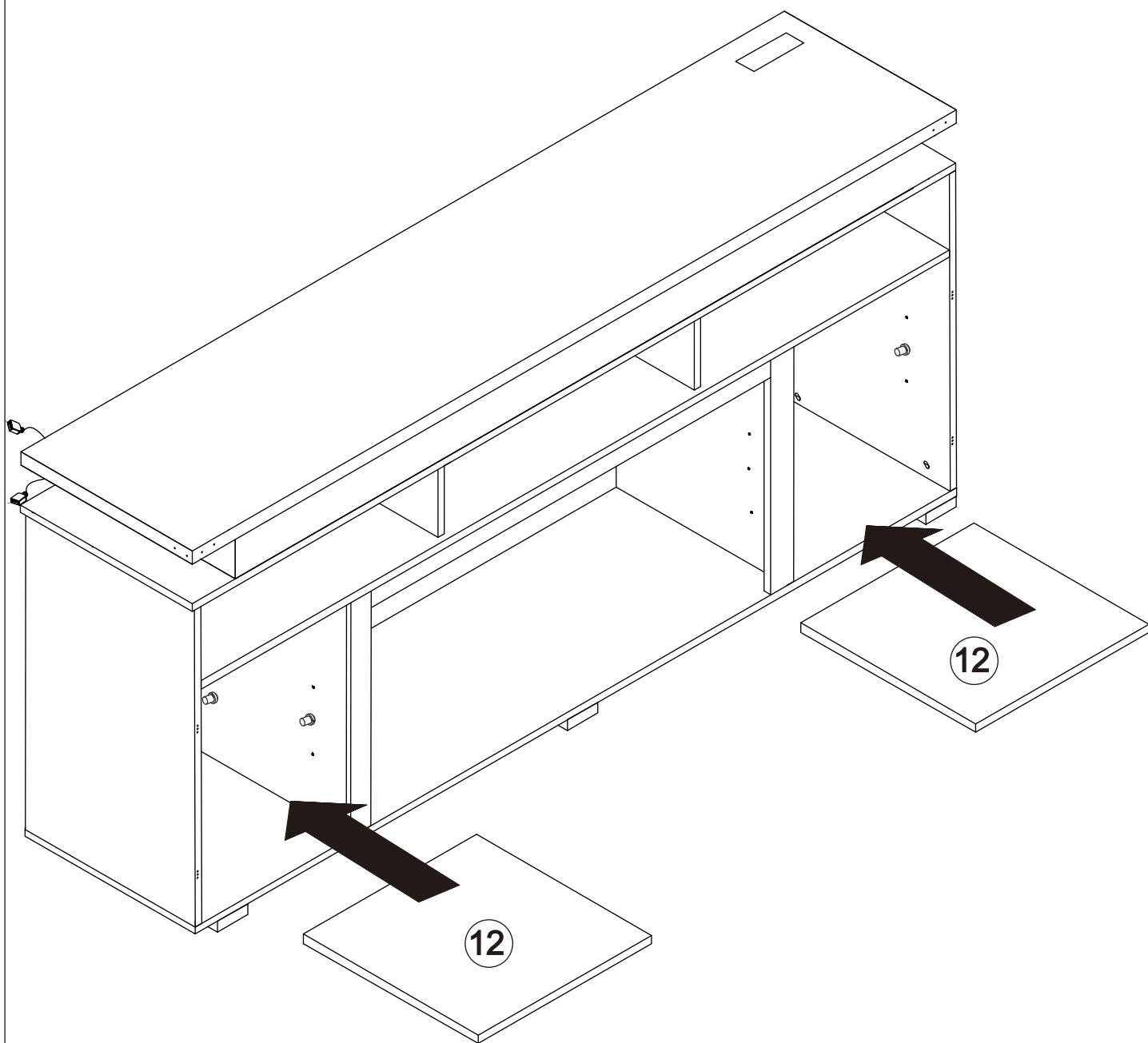
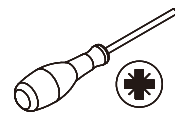


22

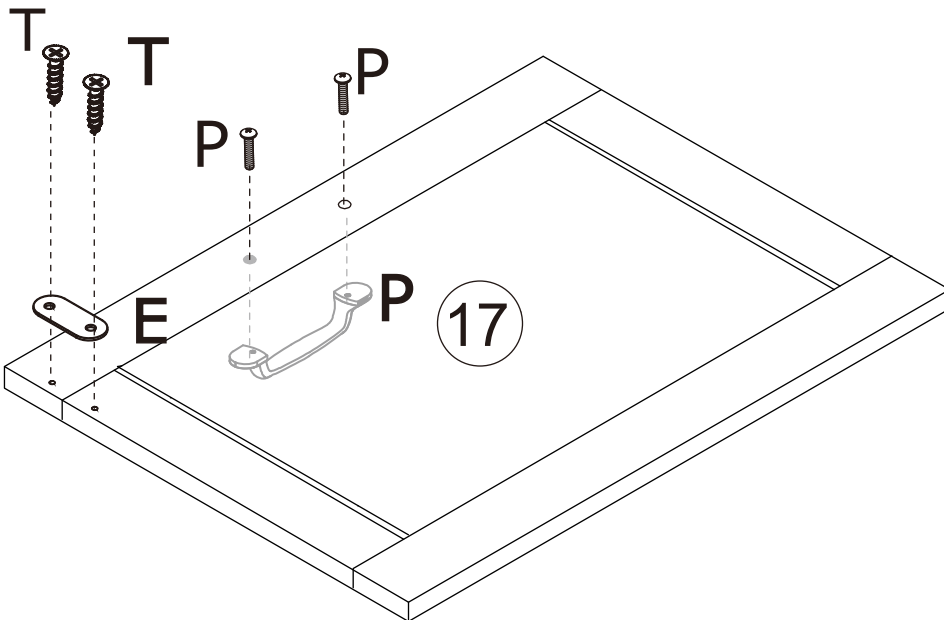
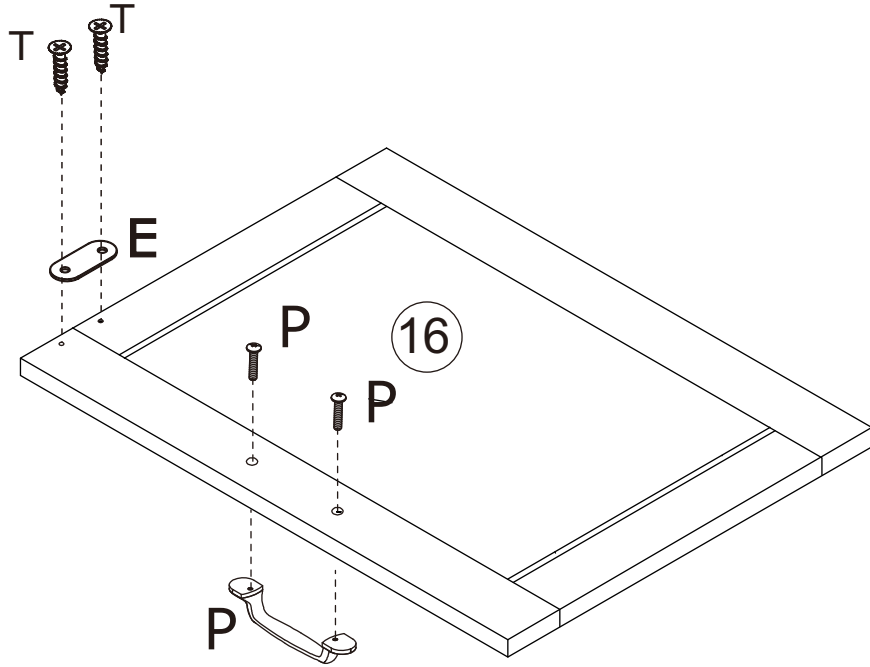
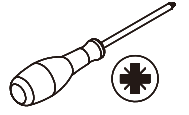
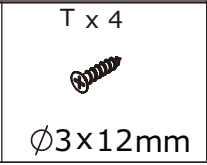
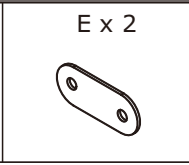
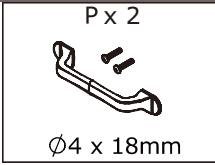
U x 8



23

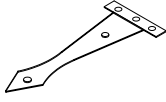


24



25

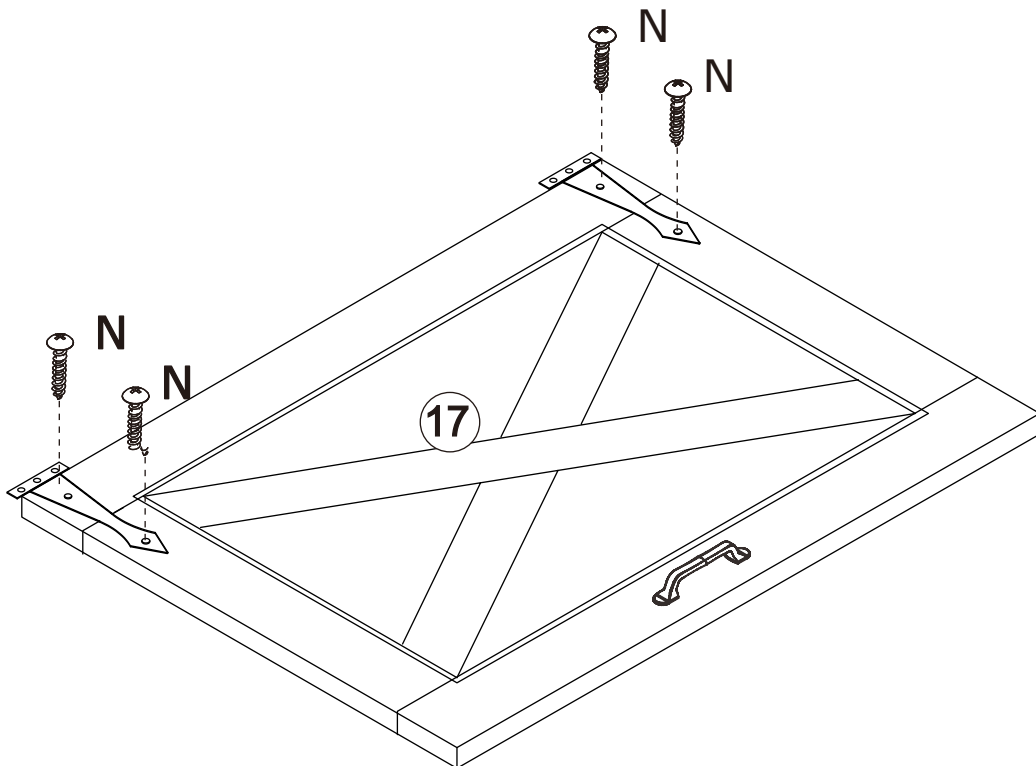
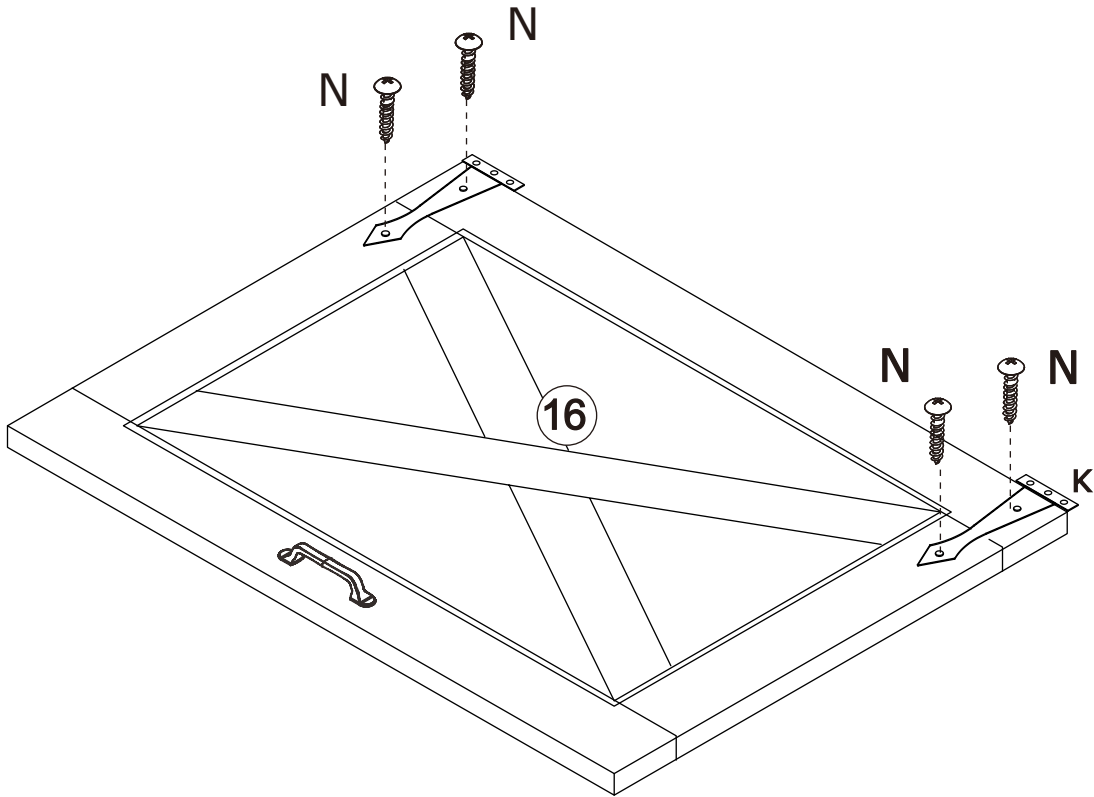
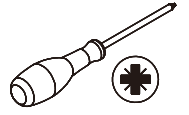
K x 4



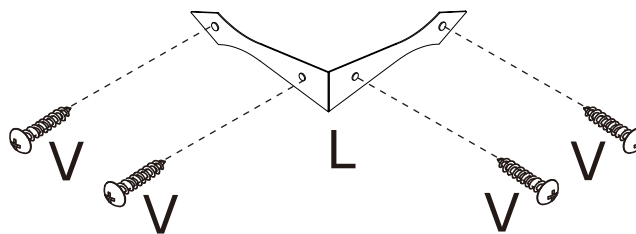
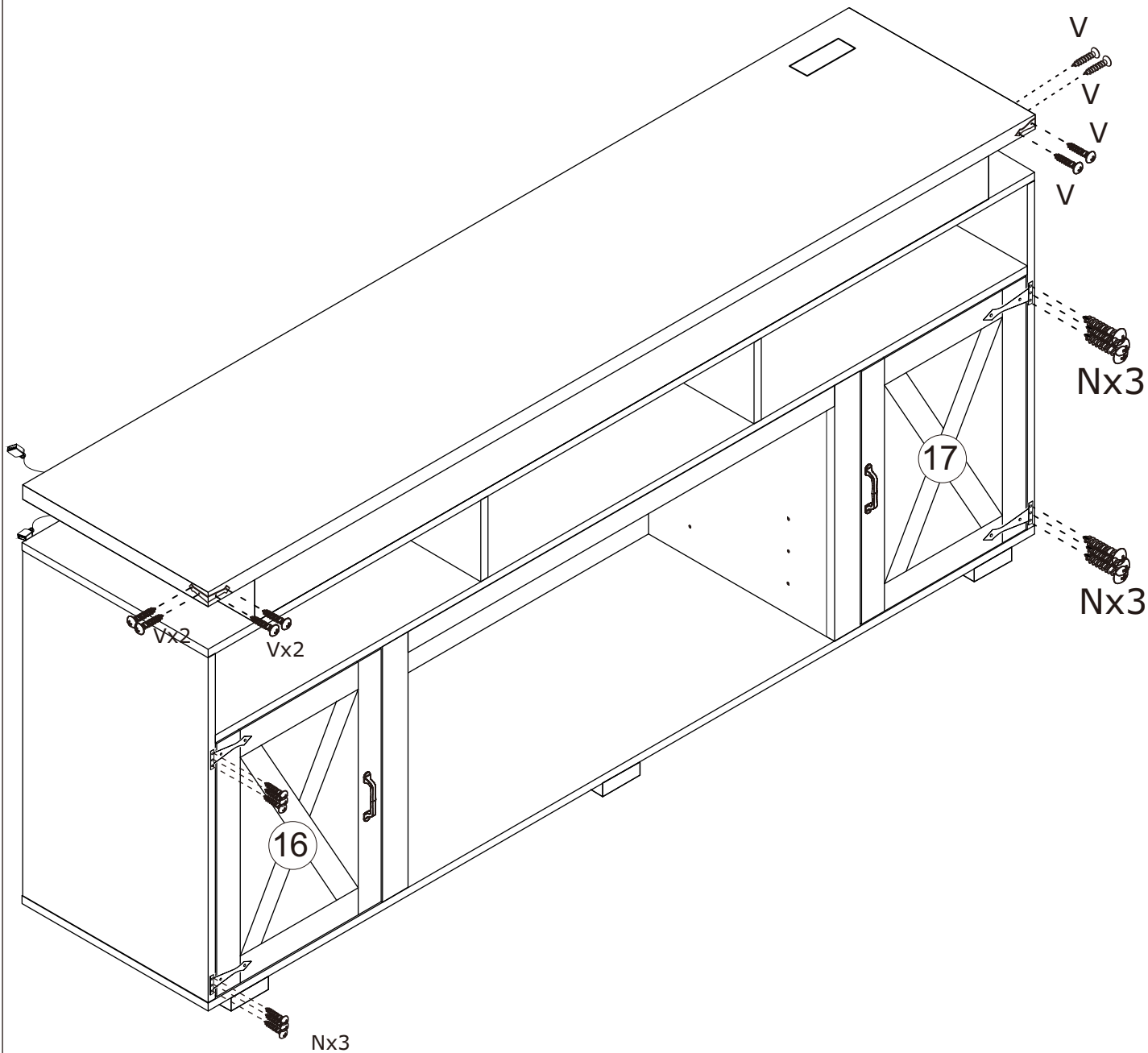
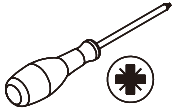
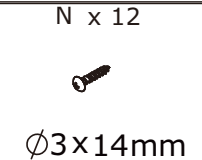
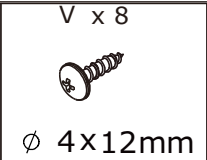
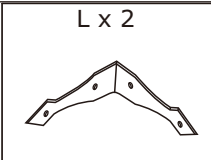
N x 8



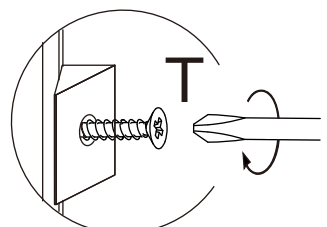
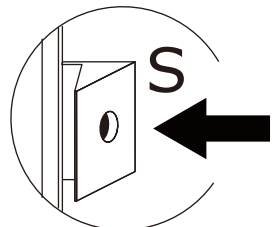
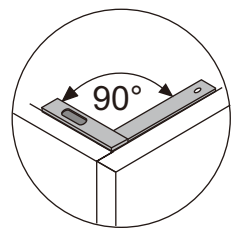
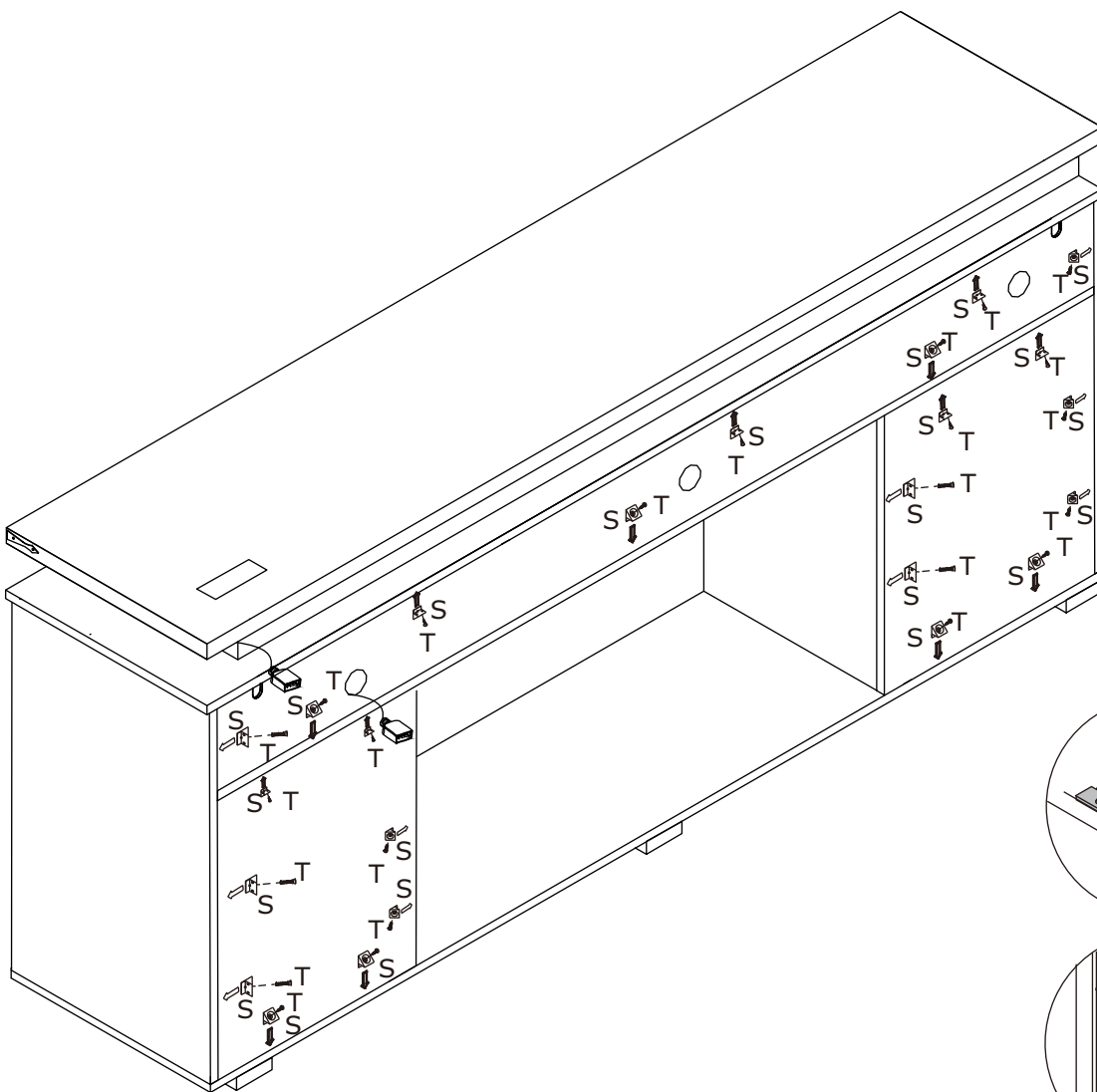
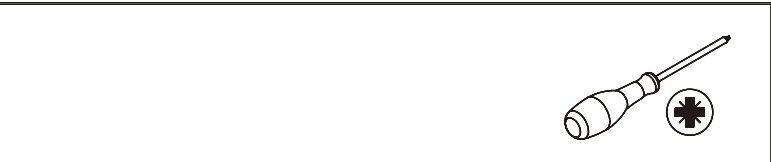
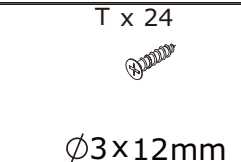
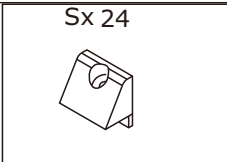
Ø3x14mm



26

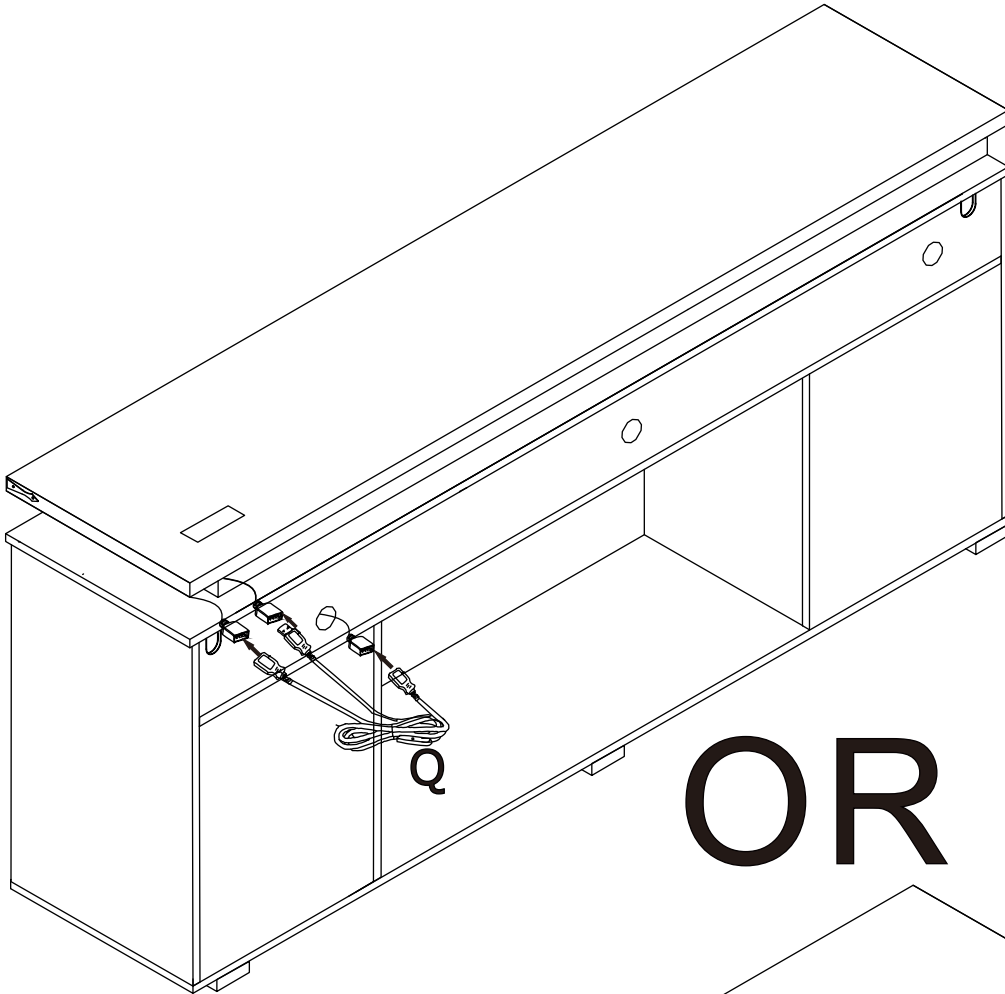
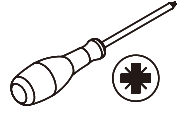
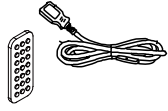


27

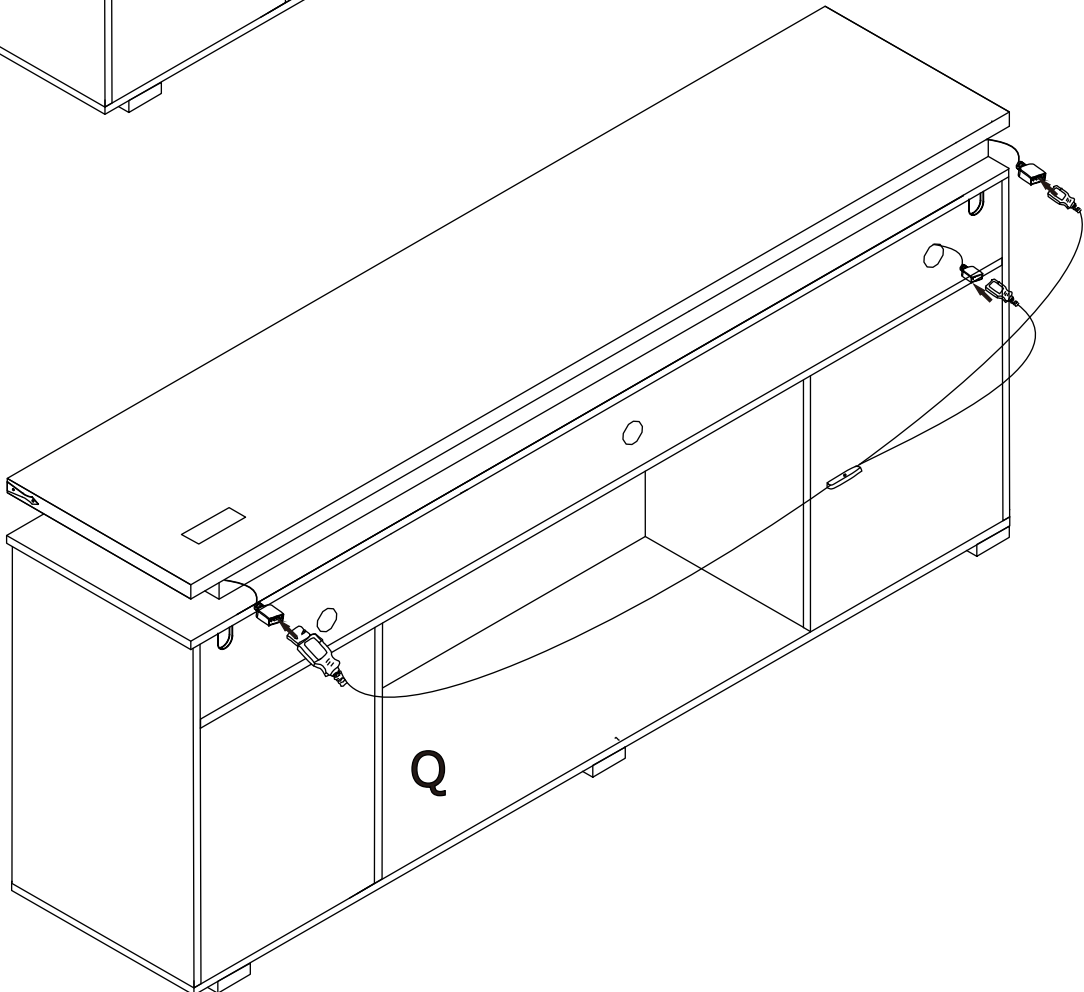


28

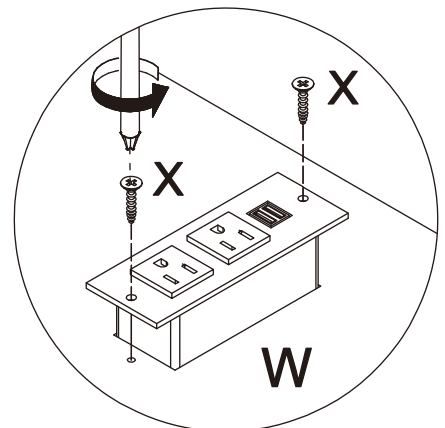
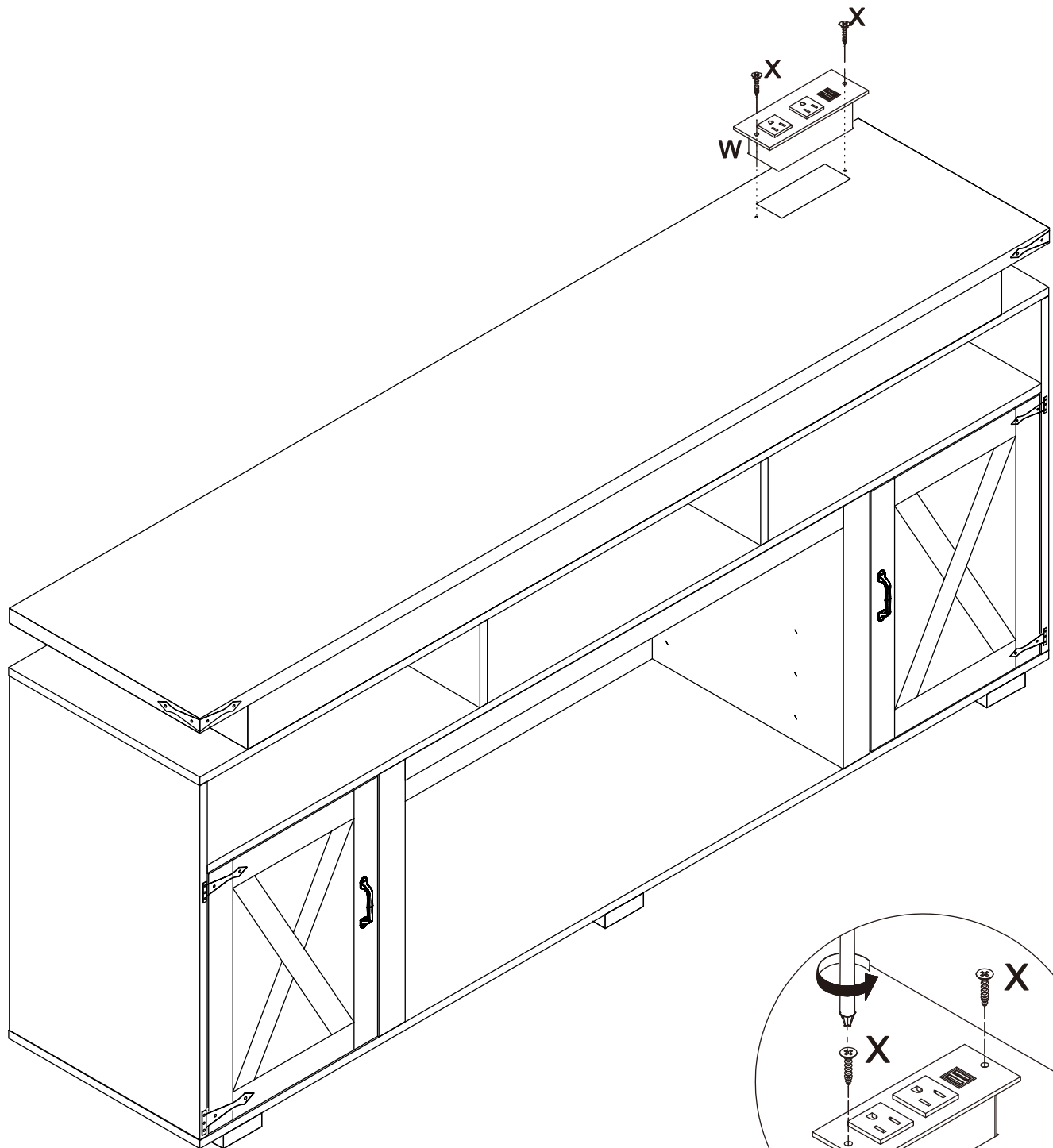
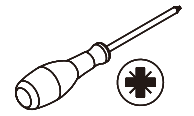
Q x 1

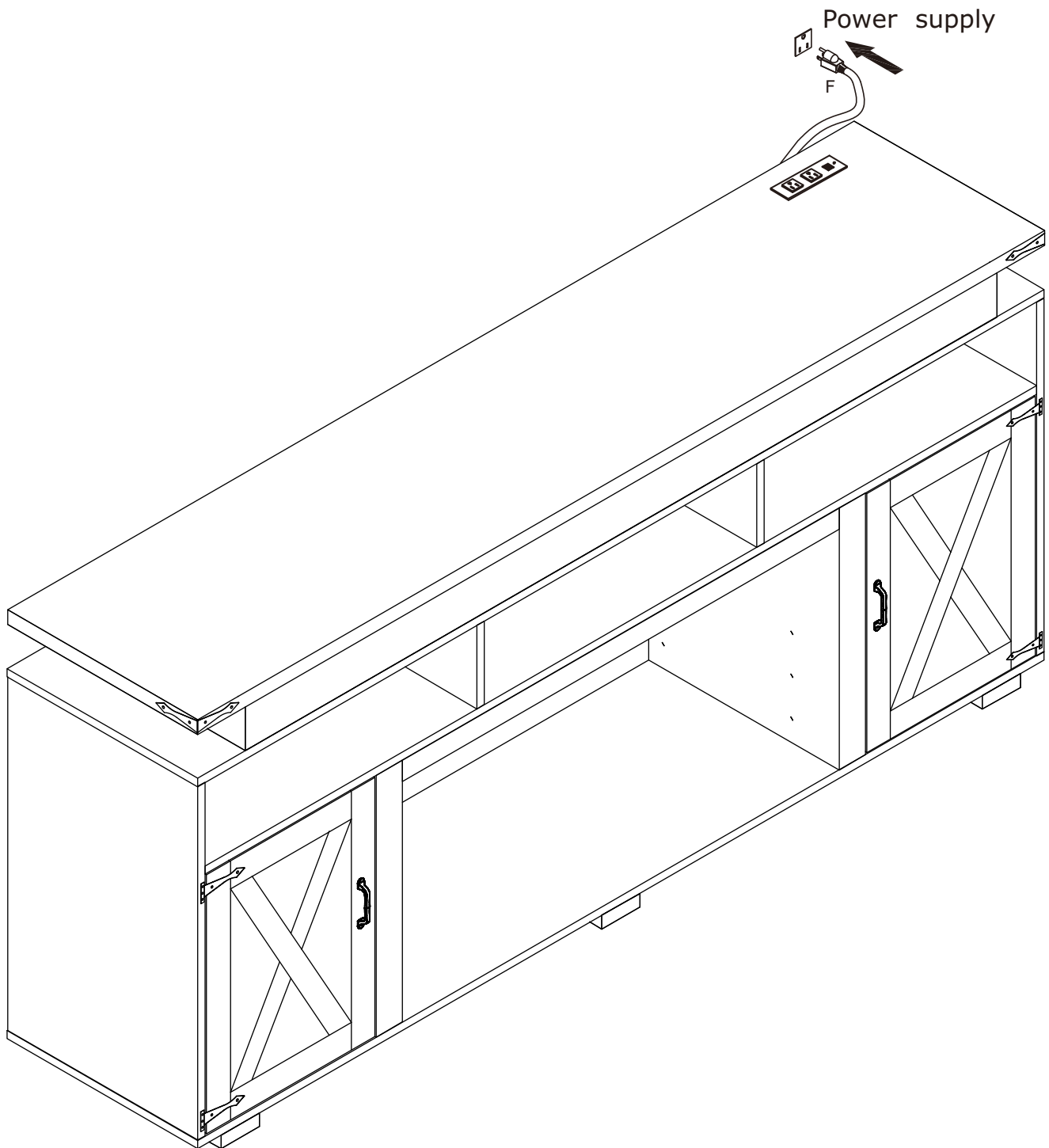
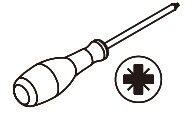


OR



29



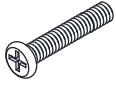


Power supply

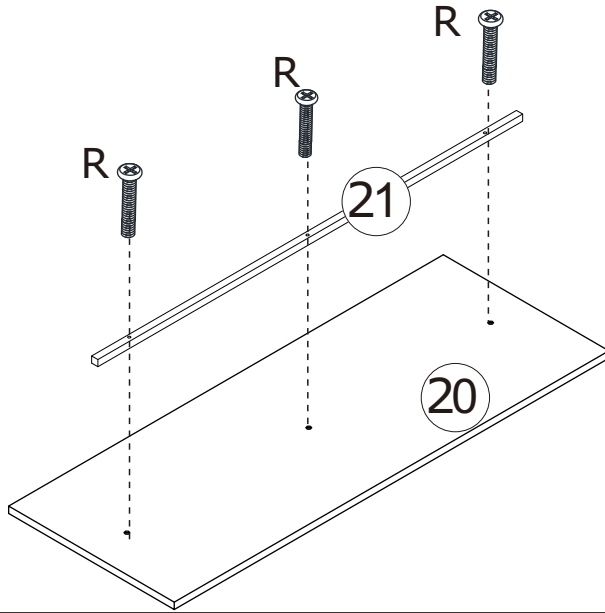
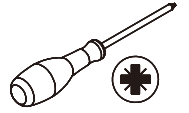
F

31

R x 3

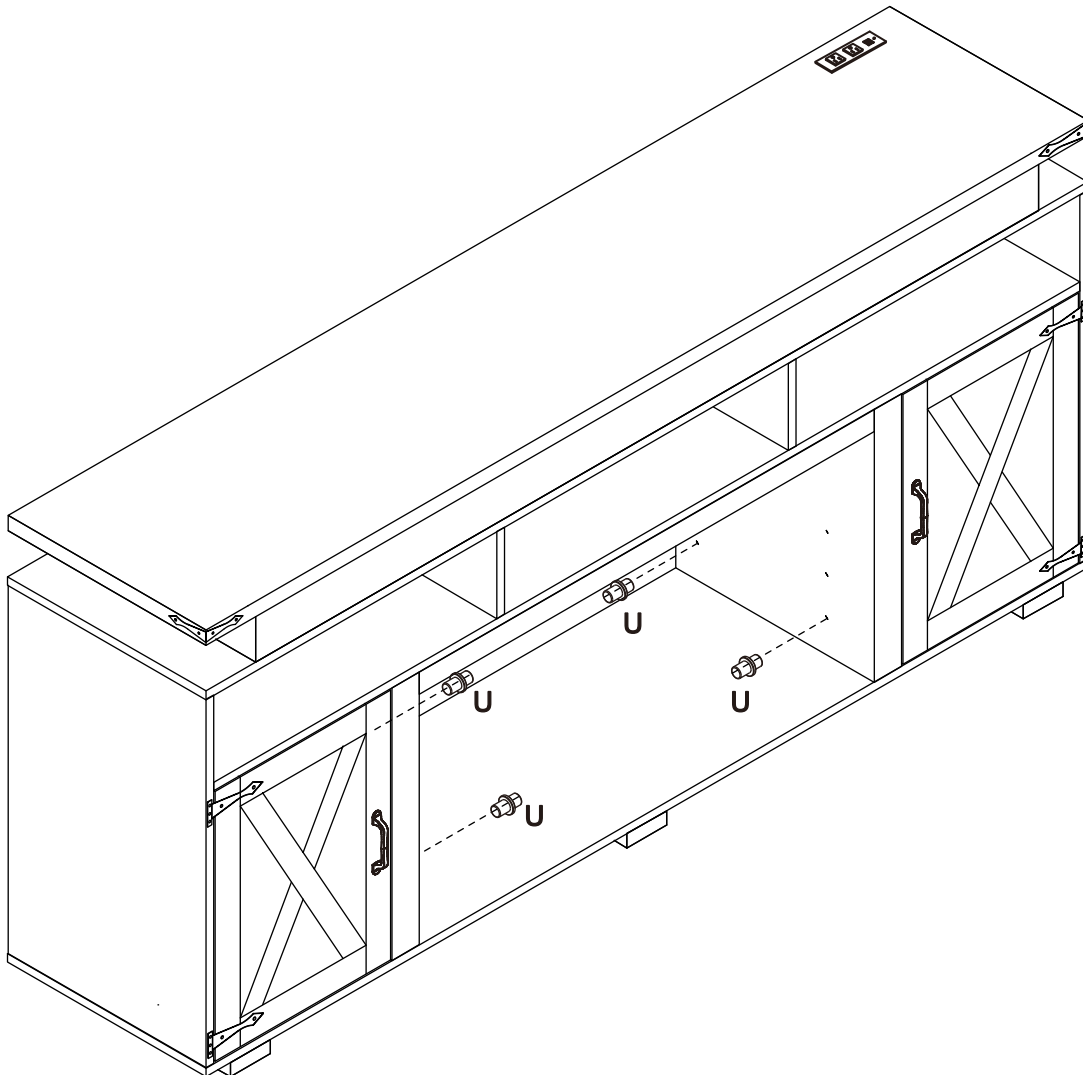
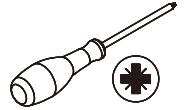
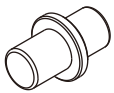


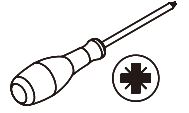
Ø6X25mm



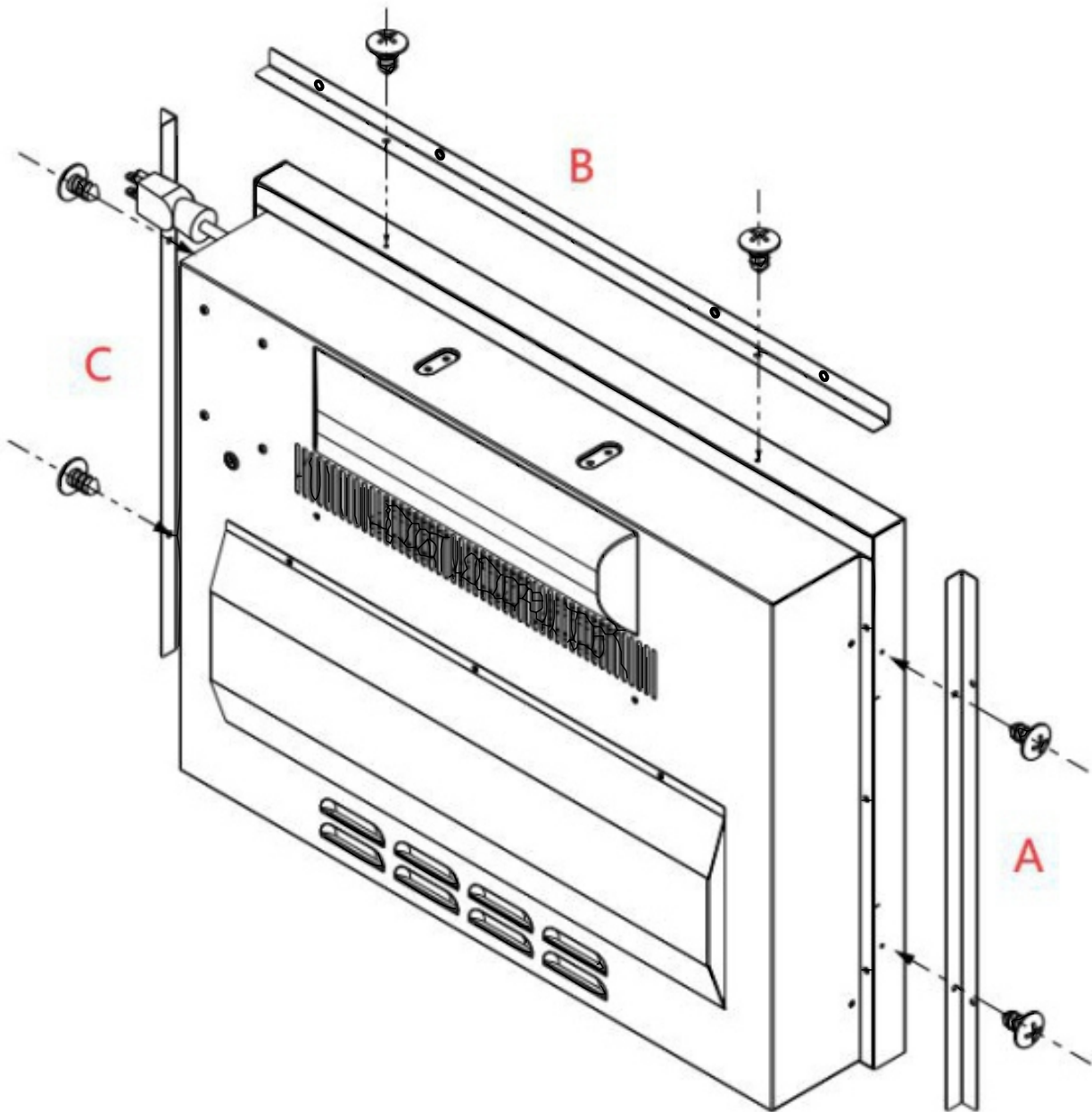
32

U x 4

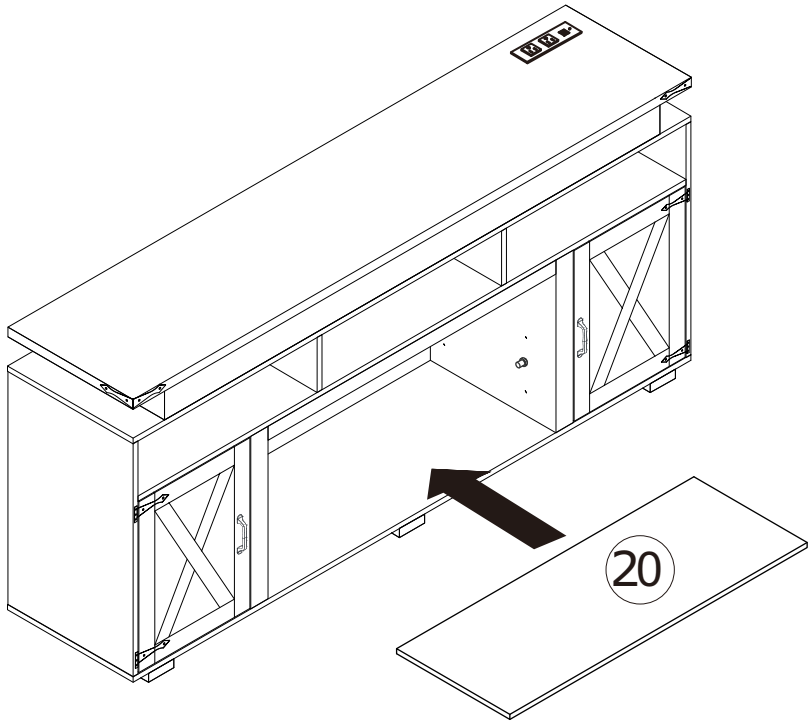
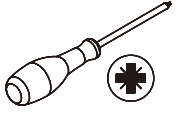




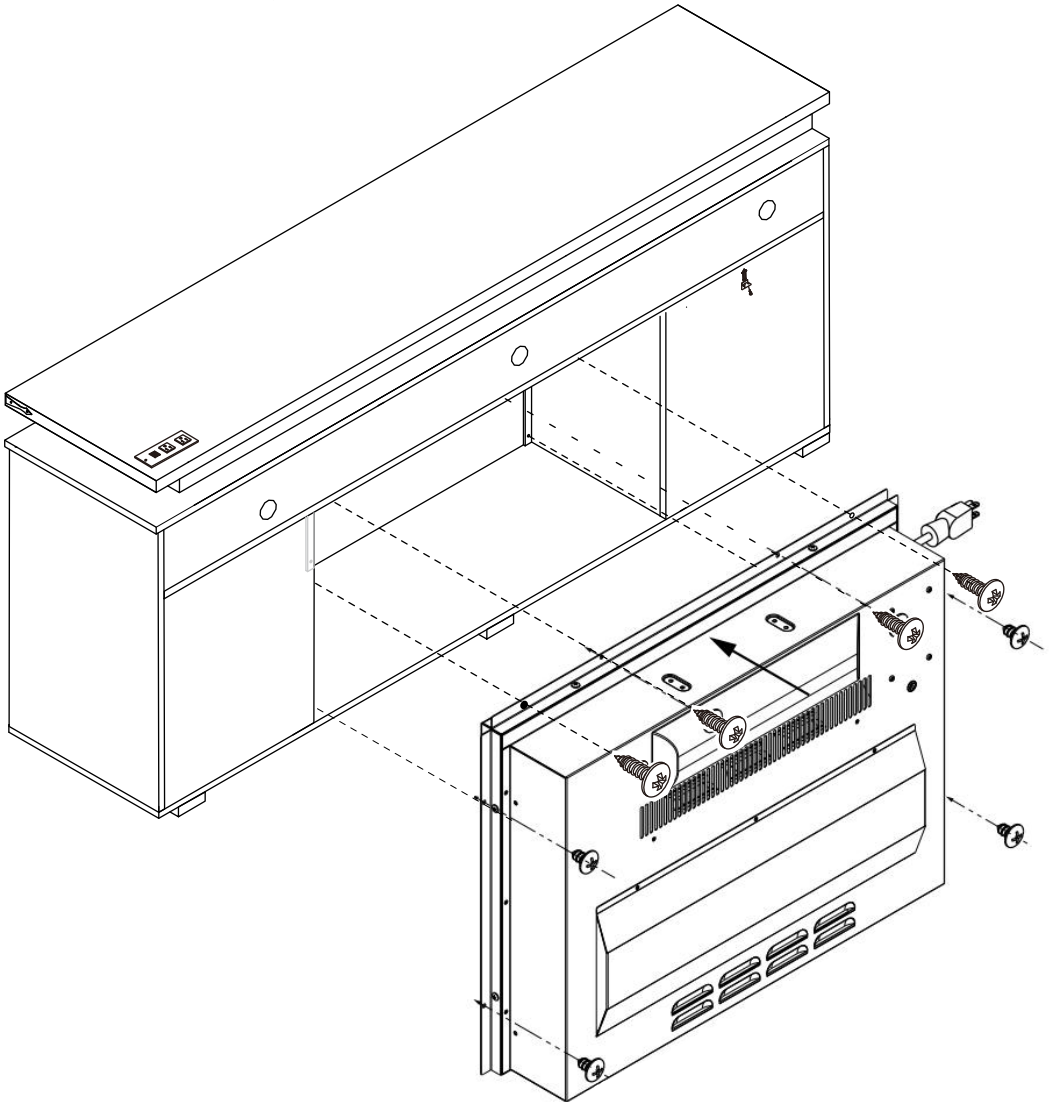
For the installation method of the fireplace, please refer to the instructions in another manual.



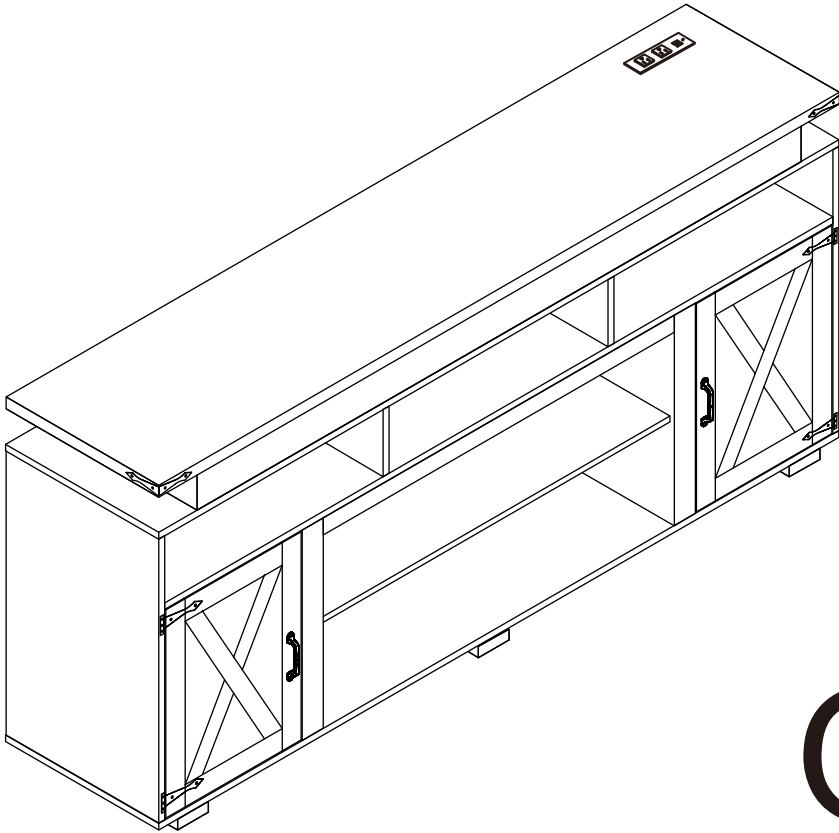
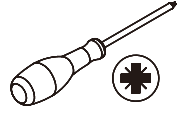
34



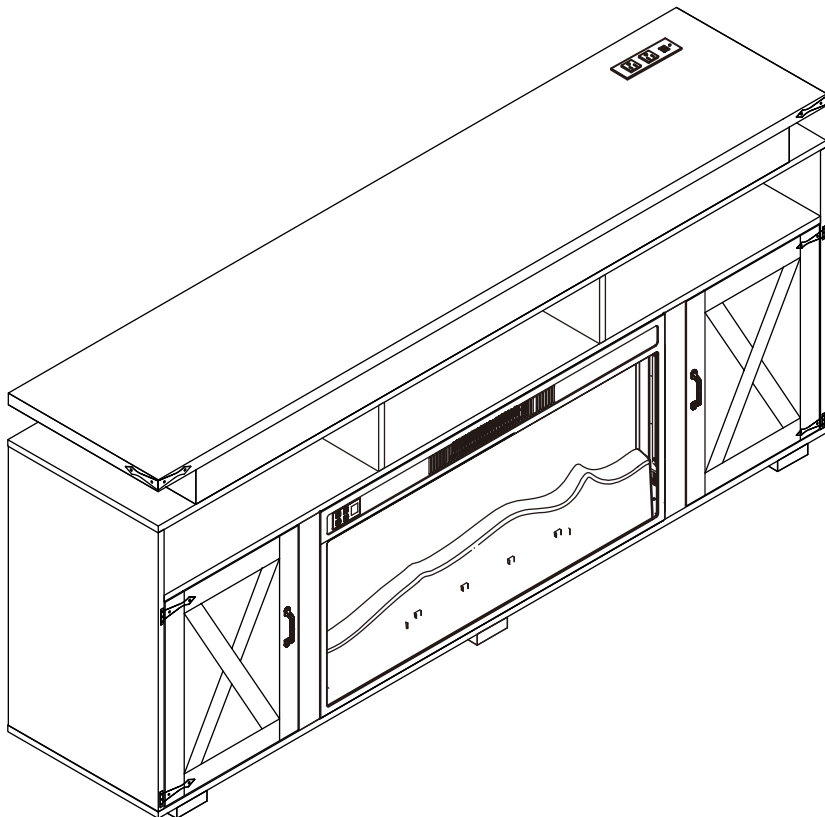
OR



35

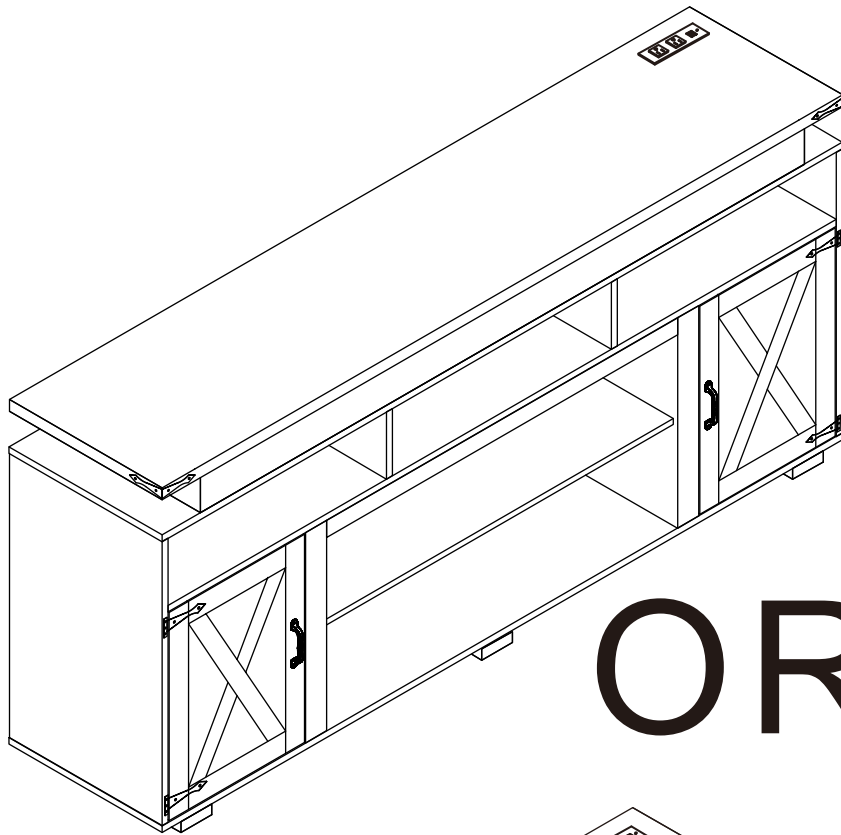
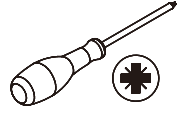
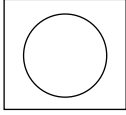


OR

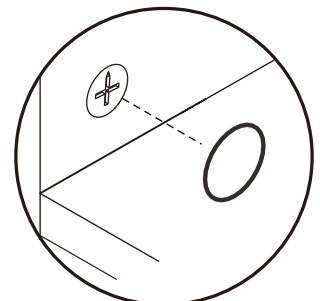
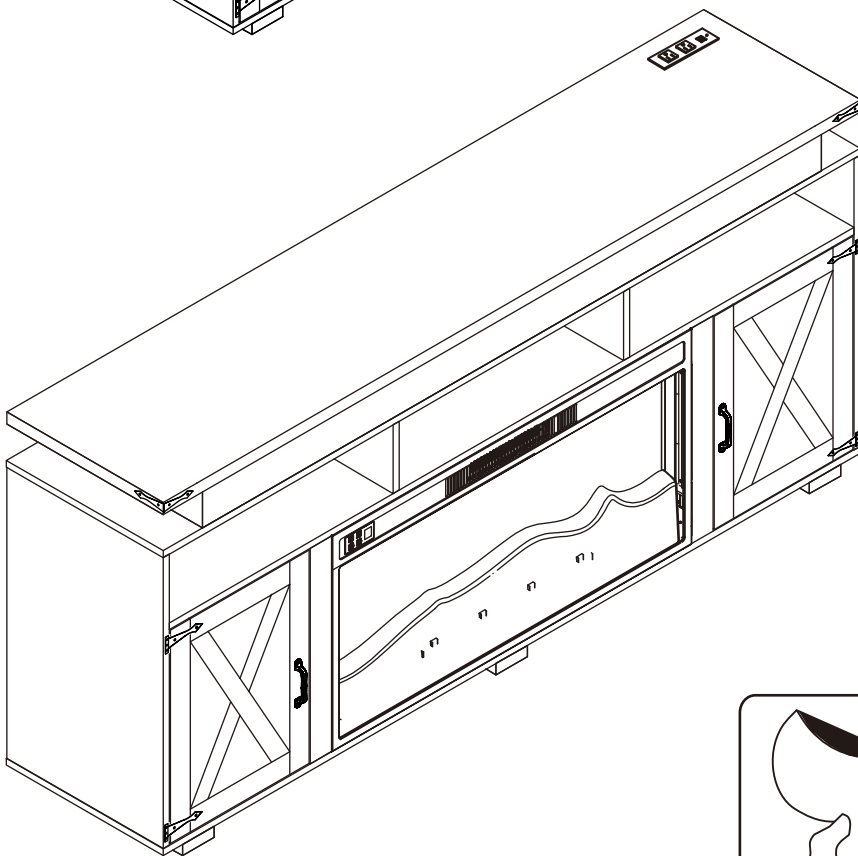


36

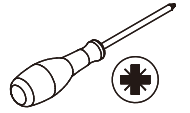
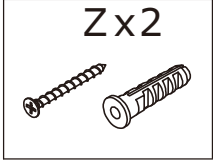
H x55



OR



37



WALL

