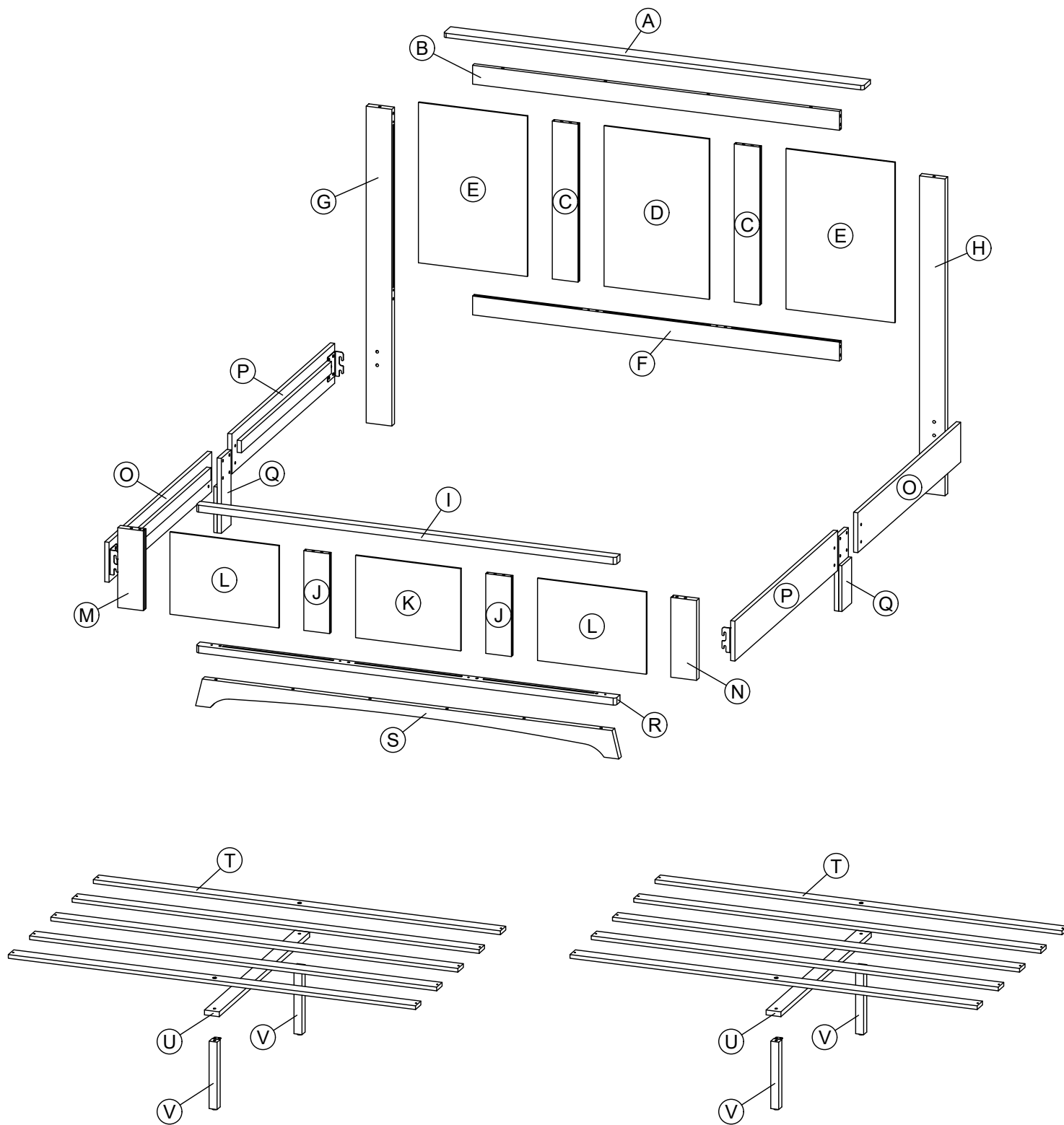






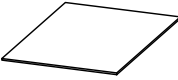











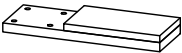



# ASSEMBLY INSTRUCTION

## MODEL : BED 51 QUEEN BED





# ASSEMBLY INSTRUCTION

## PART LIST


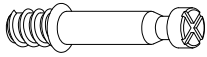


<p>A</p>  <p>BED HEAD TOP SUPPORT</p> <p>x 1</p>	<p>B</p>  <p>BED HEAD MIDDLE SUPPORT - UP</p> <p>x 1</p>	<p>C</p>  <p>BED HEAD CENTER SUPPORT</p> <p>x 2</p>	<p>D</p>  <p>BED HEAD PANEL CENTER</p> <p>x 1</p>
<p>E</p>  <p>BED HEAD PANEL - L &amp; R</p> <p>x 2</p>	<p>F</p>  <p>BED HEAD MIDDLE SUPPORT - DOWN</p> <p>x 1</p>	<p>G</p>  <p>BED HEAD LEG - L</p> <p>x 1</p>	<p>H</p>  <p>BED HEAD LEG - R</p> <p>x 1</p>
<p>I</p>  <p>BED END TOP SUPPORT</p> <p>x 1</p>	<p>J</p>  <p>BED END CENTER SUPPORT</p> <p>x 2</p>	<p>K</p>  <p>BED END PANEL CENTER</p> <p>x 1</p>	<p>L</p>  <p>BED END PANEL - L &amp; R</p> <p>x 2</p>
<p>M</p>  <p>BED END LEG - L</p> <p>x 1</p>	<p>N</p>  <p>BED END LEG - R</p> <p>x 1</p>	<p>O</p>  <p>BED SIDE FRONT R &amp; REAR L</p> <p>x 2</p>	<p>P</p>  <p>BED SIDE FRONT L &amp; REAR R</p> <p>x 2</p>
<p>Q</p>  <p>SIDE LEG</p> <p>x 2</p>	<p>R</p>  <p>BED END LEG SUPPORT</p> <p>x 1</p>	<p>S</p>  <p>BED END LEG</p> <p>x 1</p>	<p>T</p>  <p>LVL SUPPORT</p> <p>x 2</p>




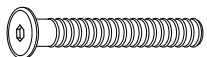
# ASSEMBLY INSTRUCTION

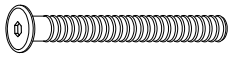
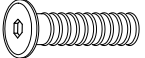
## PART LIST

<b>U</b>  CENTER LVL  x 2	<b>V</b>  CENTER WOOD LEG  x 4
--	---

## HARDWARE LIST

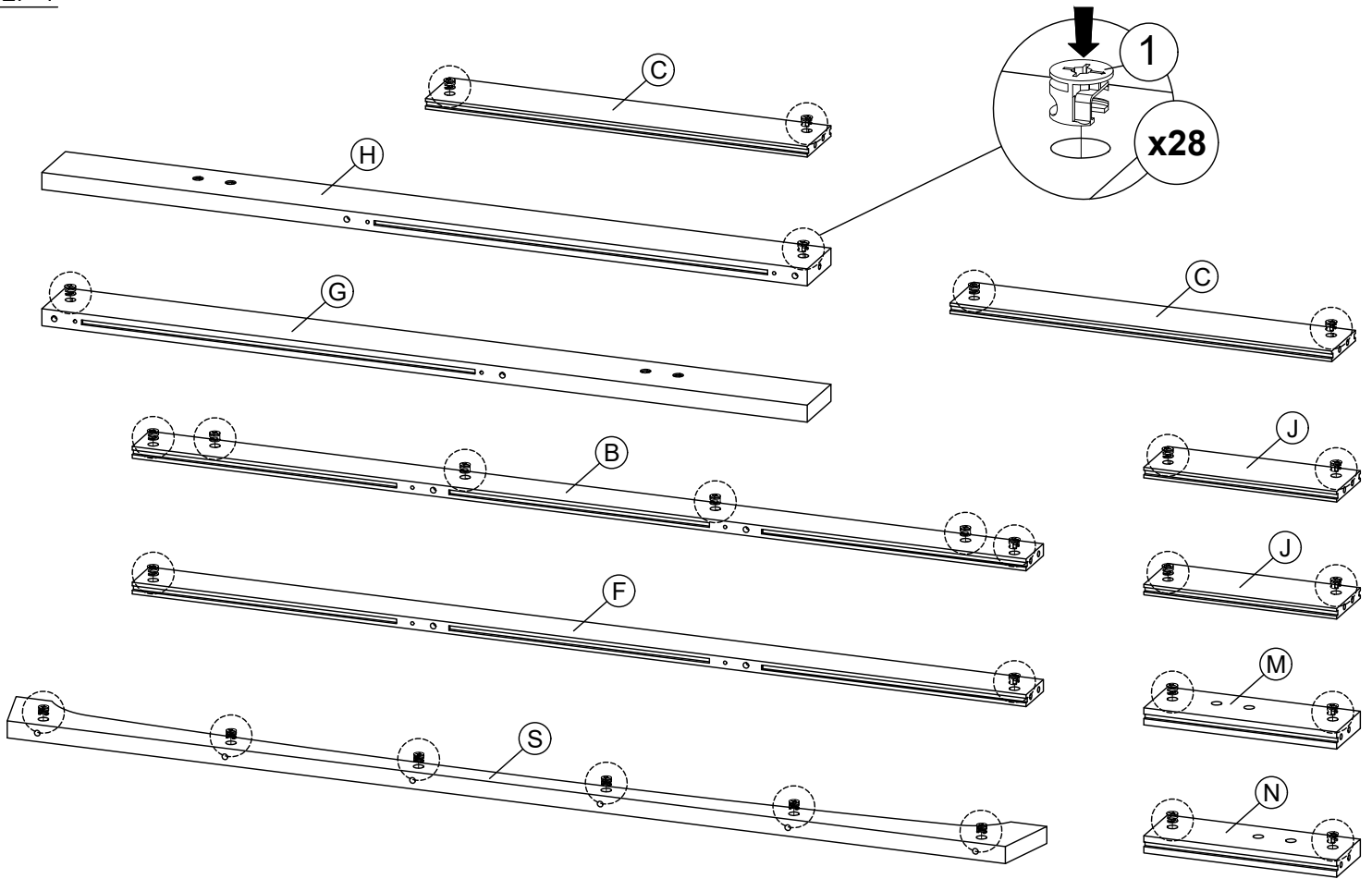
<b>1</b>  MINI FIX CAM NUT  x 28	<b>2</b>  MINI FIX CAM BOLT  x 28	<b>3</b>  8 X 25MM WOOD DOWEL  x 16	<b>4</b>  C.B SCREW M3.5 x 16mm  x 8
--	--	--	--

<b>5</b>  C.B SCREW M4 x 30mm  x 20	<b>6</b>  ALLEN KEY M4  x 1	<b>7</b>  ALLEN KEY M5  x 1	<b>8</b>  JCBC SCREW M6 x 30mm  x 8
---	--	---	---

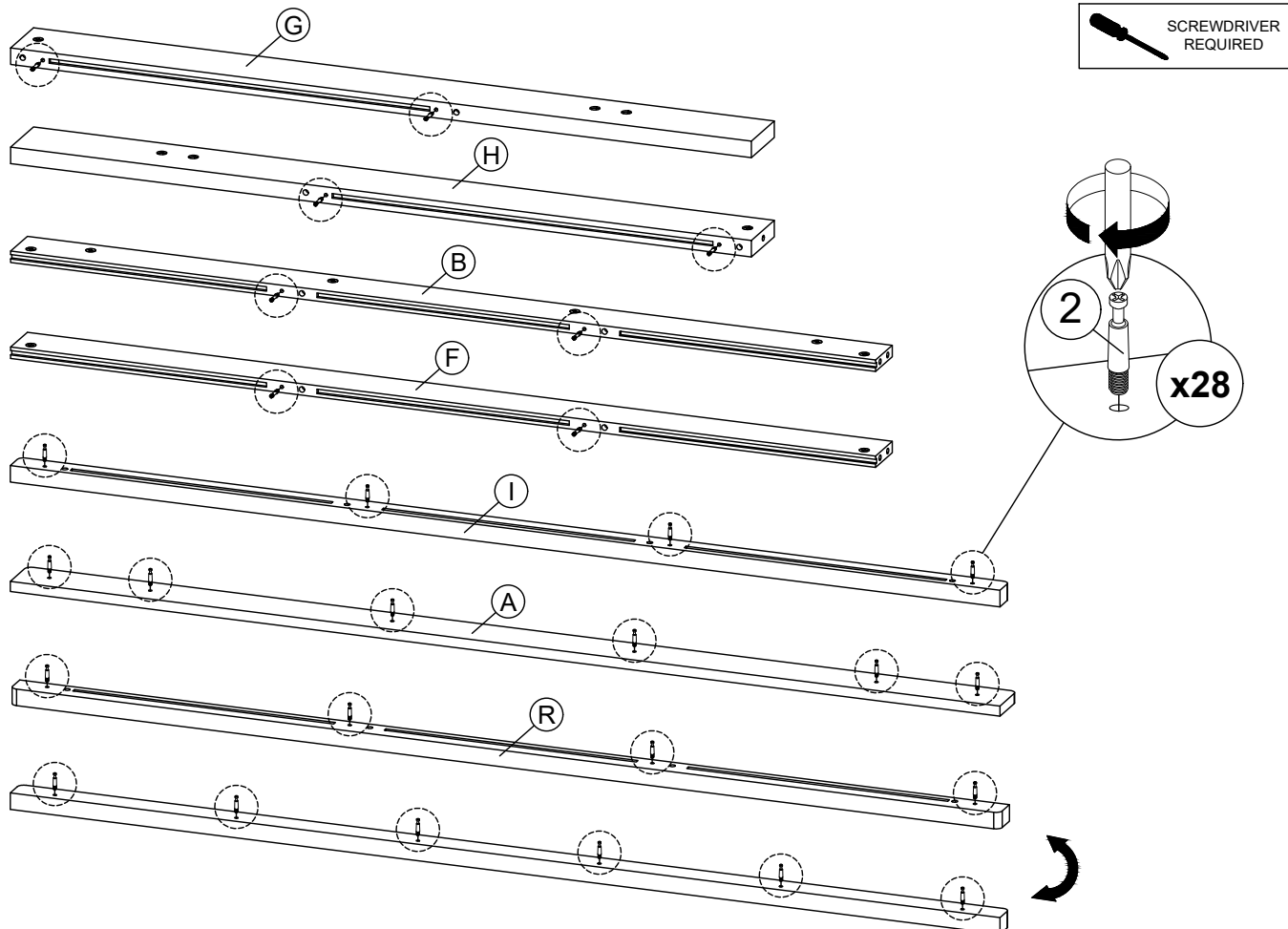
<b>9</b>  JCBC SCREW M6 x 40mm  x 4	<b>10</b>  JCBB SCREW M8 x 20mm  x 8
---	--

# ASSEMBLY INSTRUCTION

## STEP 1

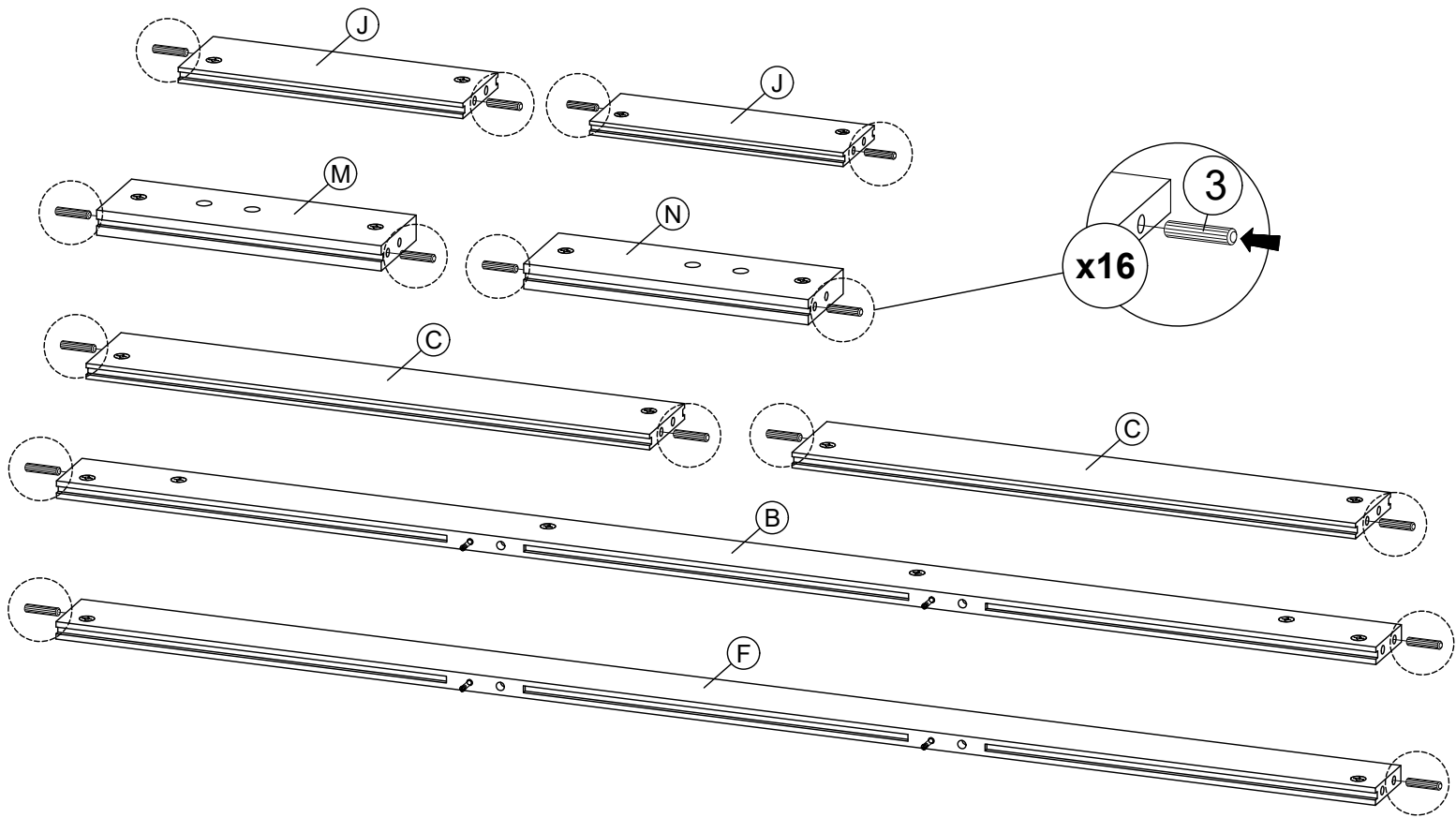
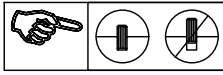


## STEP 2

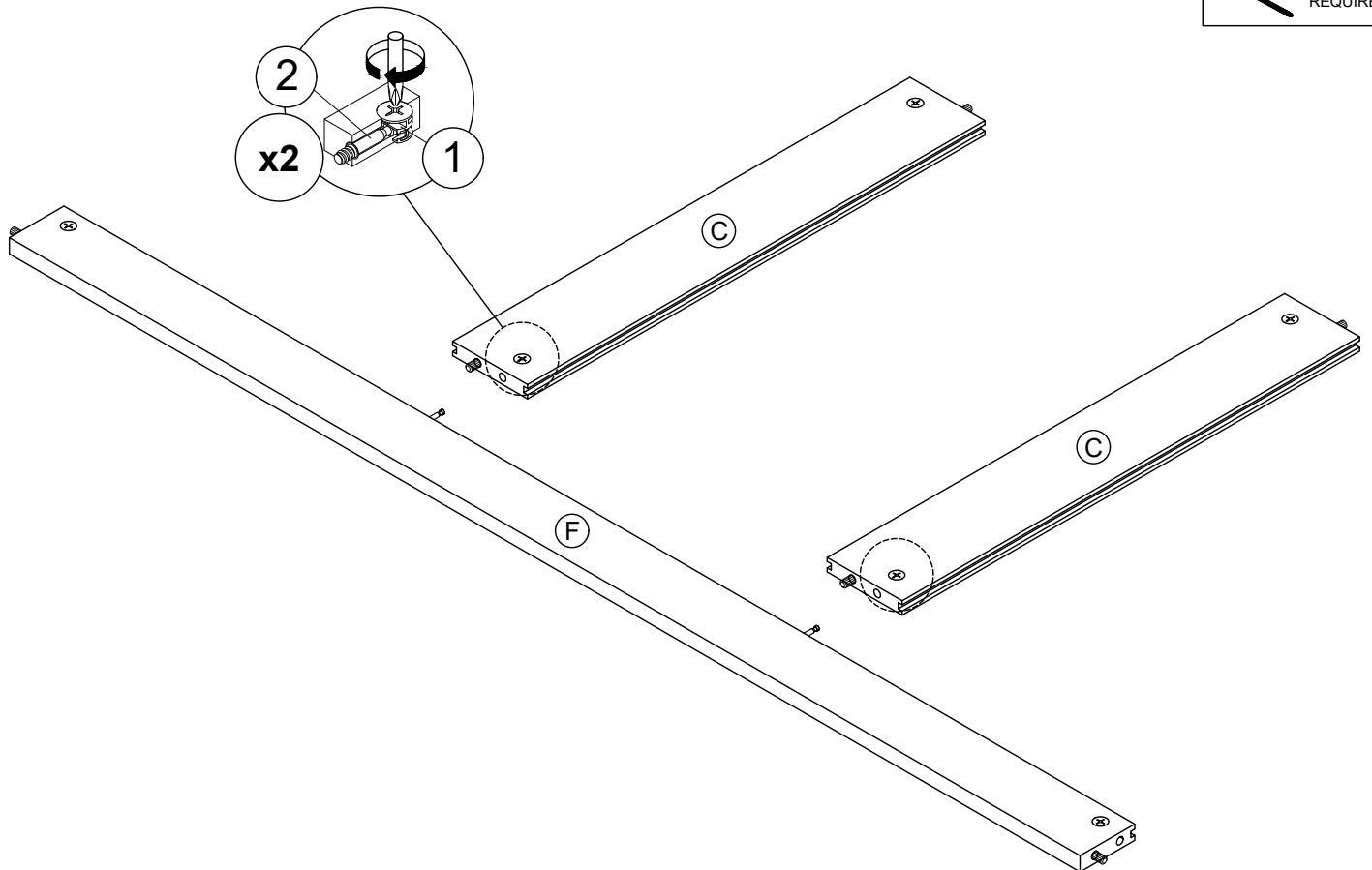


# ASSEMBLY INSTRUCTION

## STEP 3

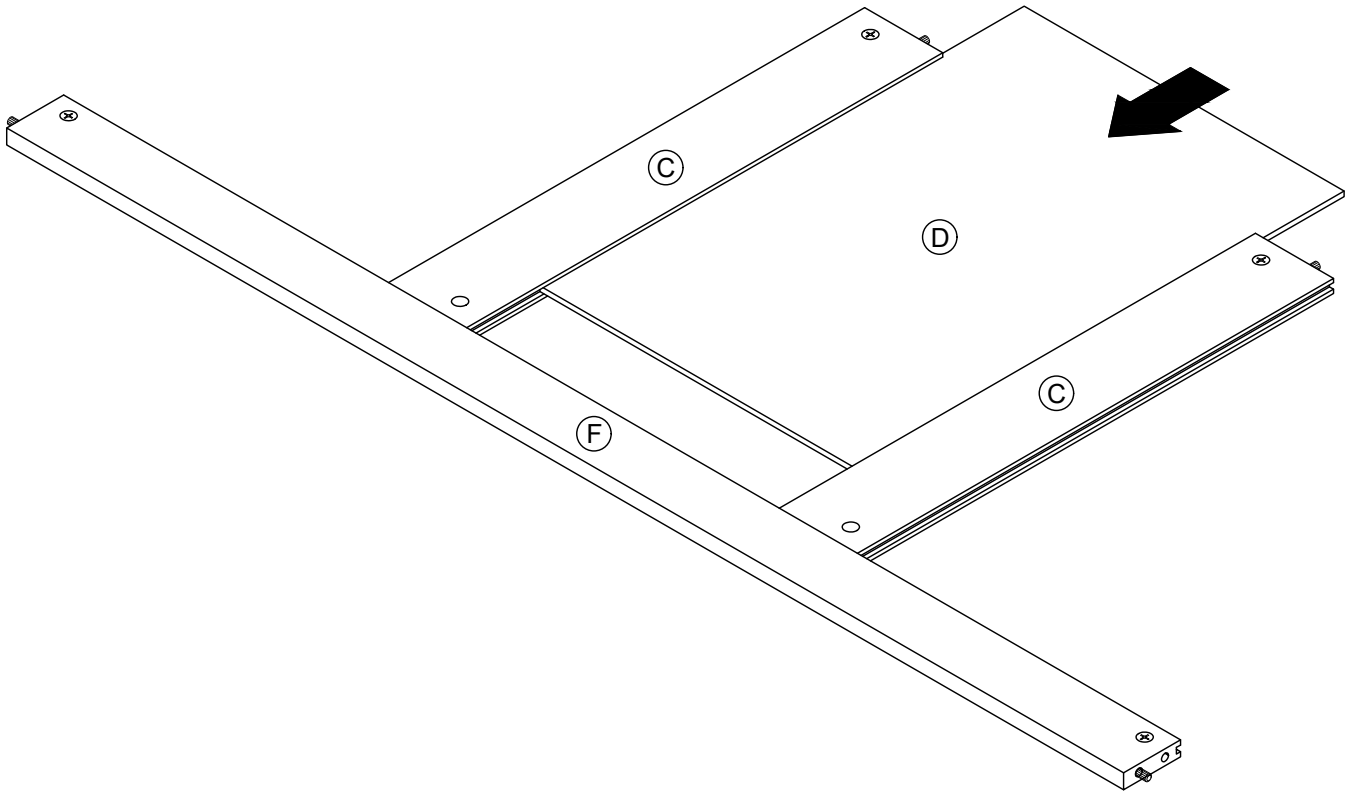


## STEP 4



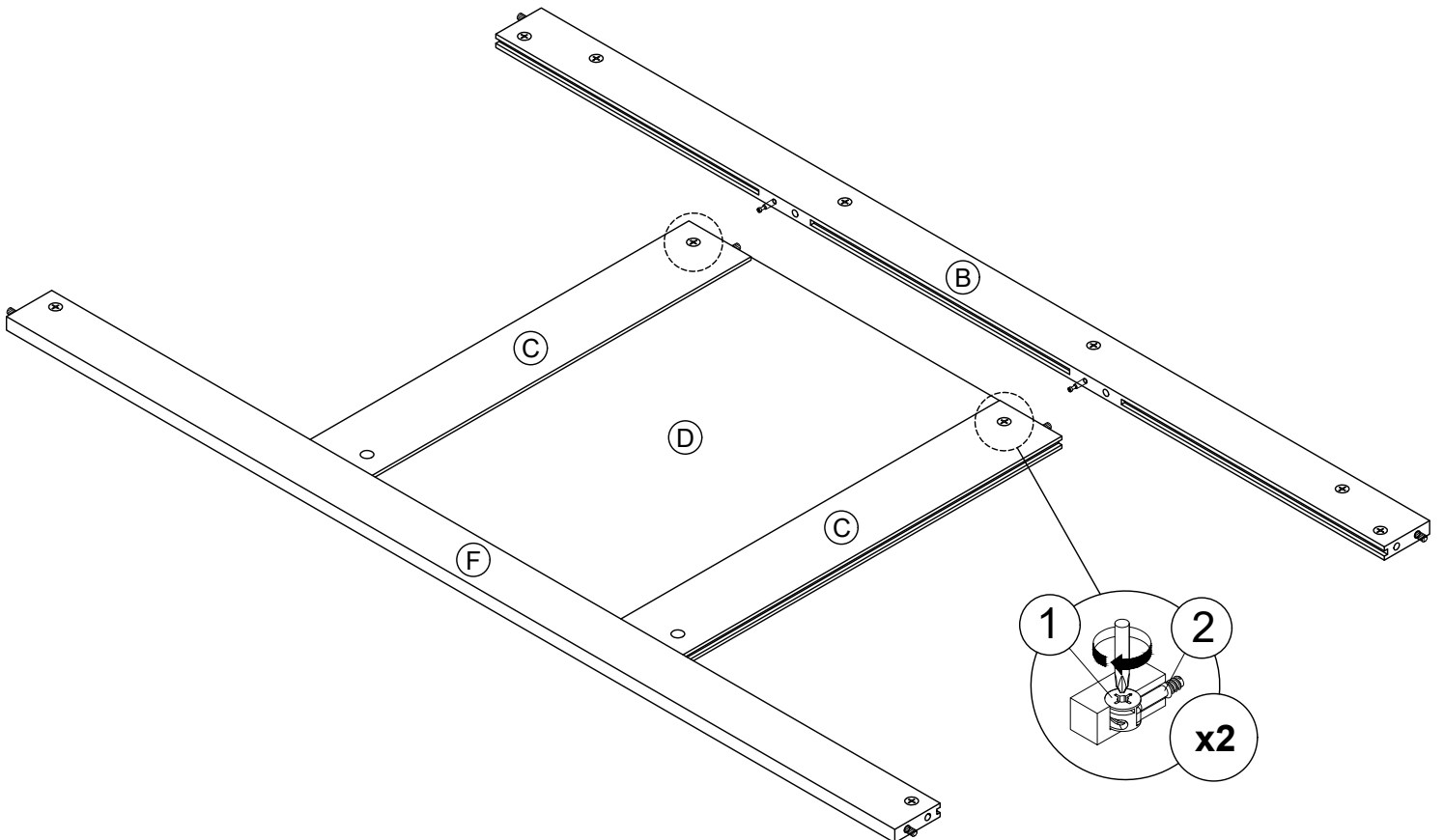
# ASSEMBLY INSTRUCTION

## STEP 5



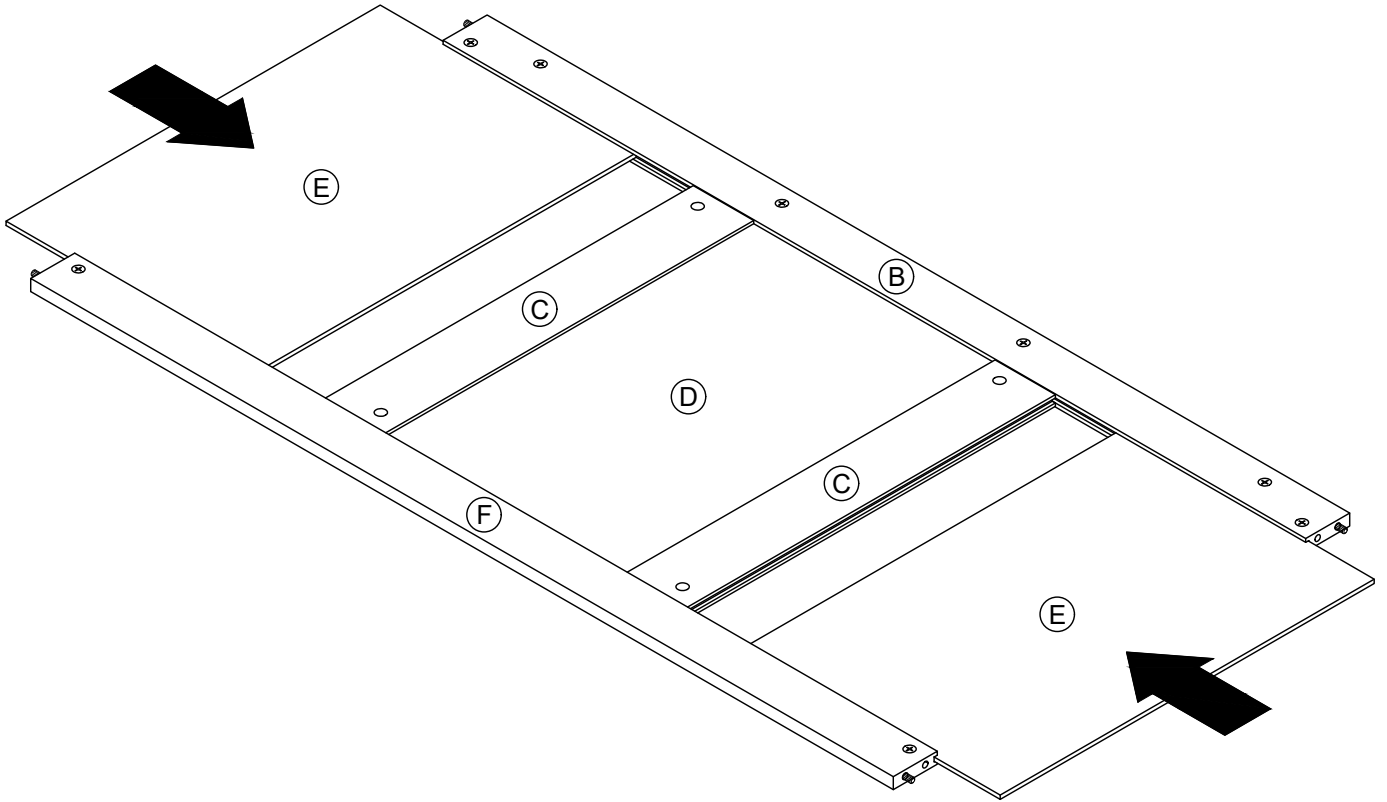
## STEP 6

 SCREWDRIVER  
REQUIRED



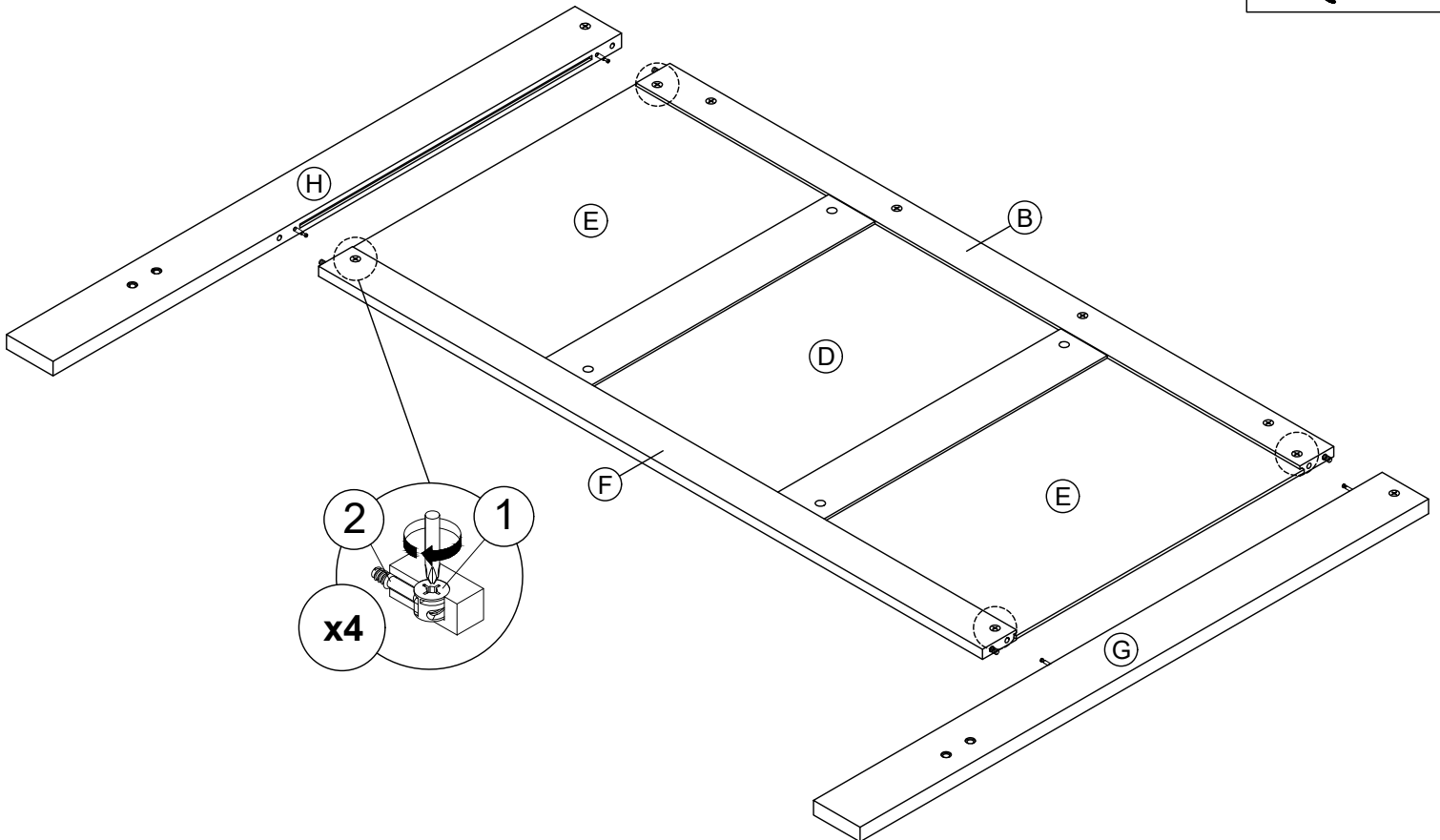
# ASSEMBLY INSTRUCTION

## STEP 7



## STEP 8

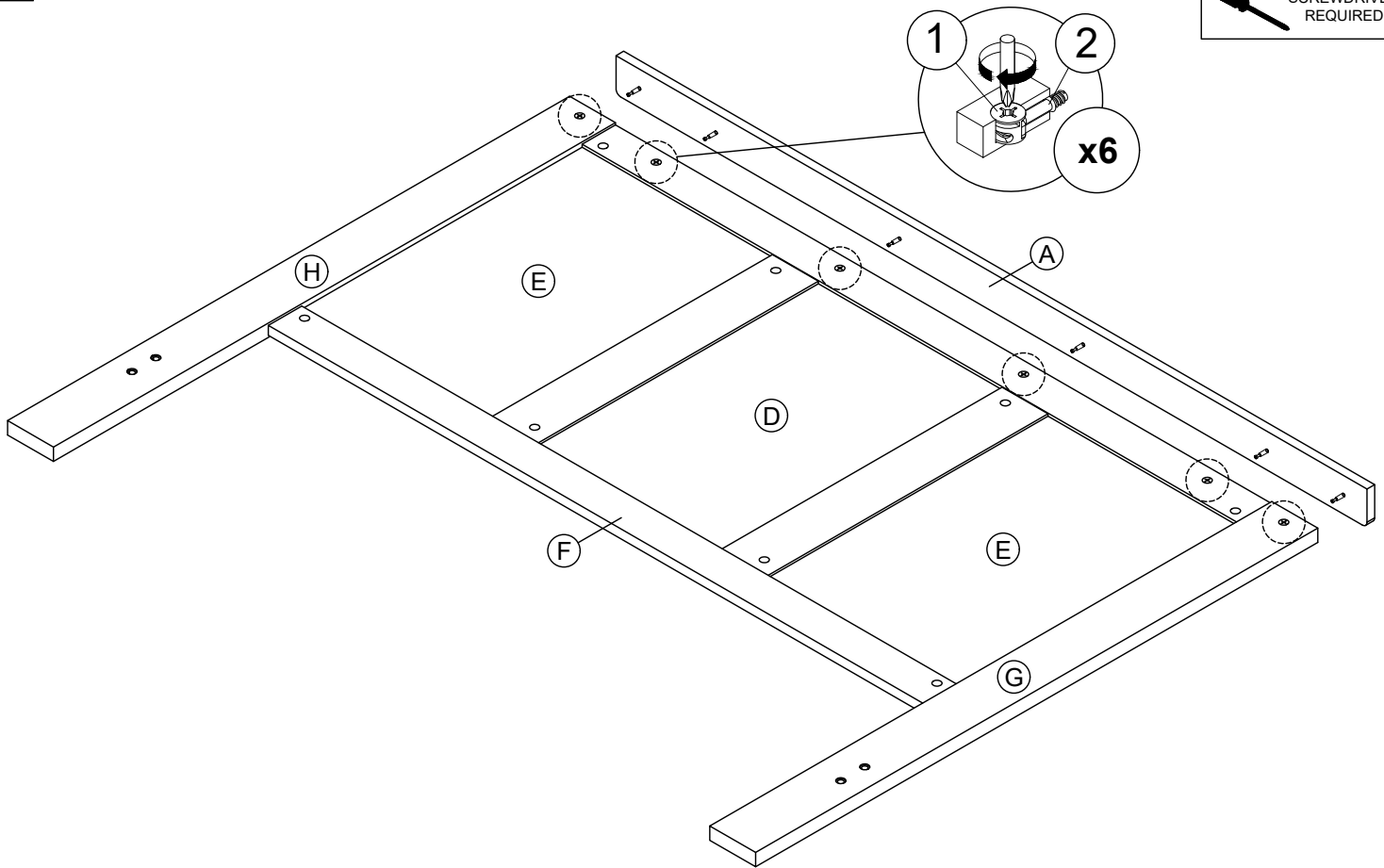
 SCREWDRIVER  
REQUIRED



# ASSEMBLY INSTRUCTION

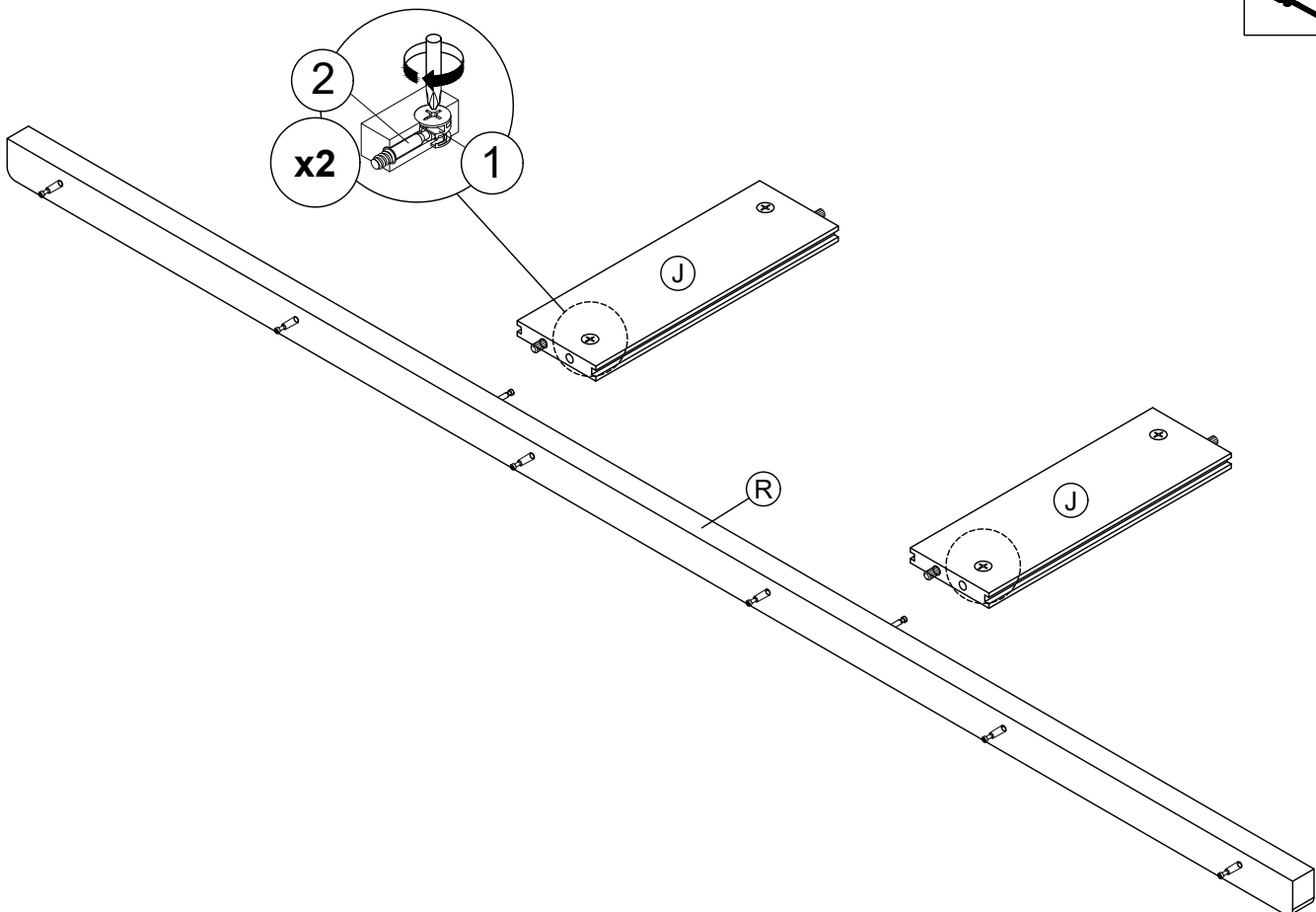
## STEP 9

SCREWDRIVER  
REQUIRED



## STEP 10

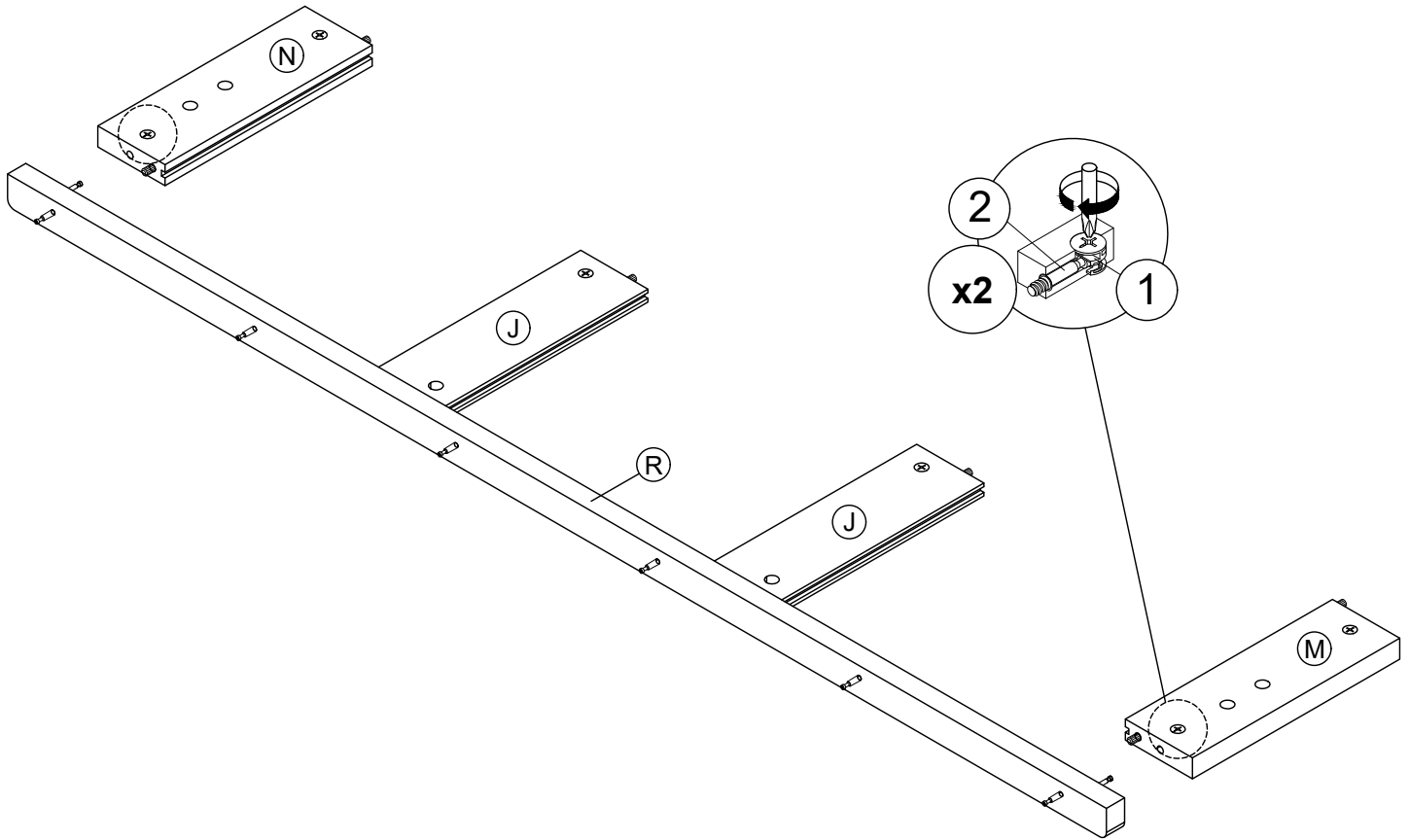
SCREWDRIVER  
REQUIRED



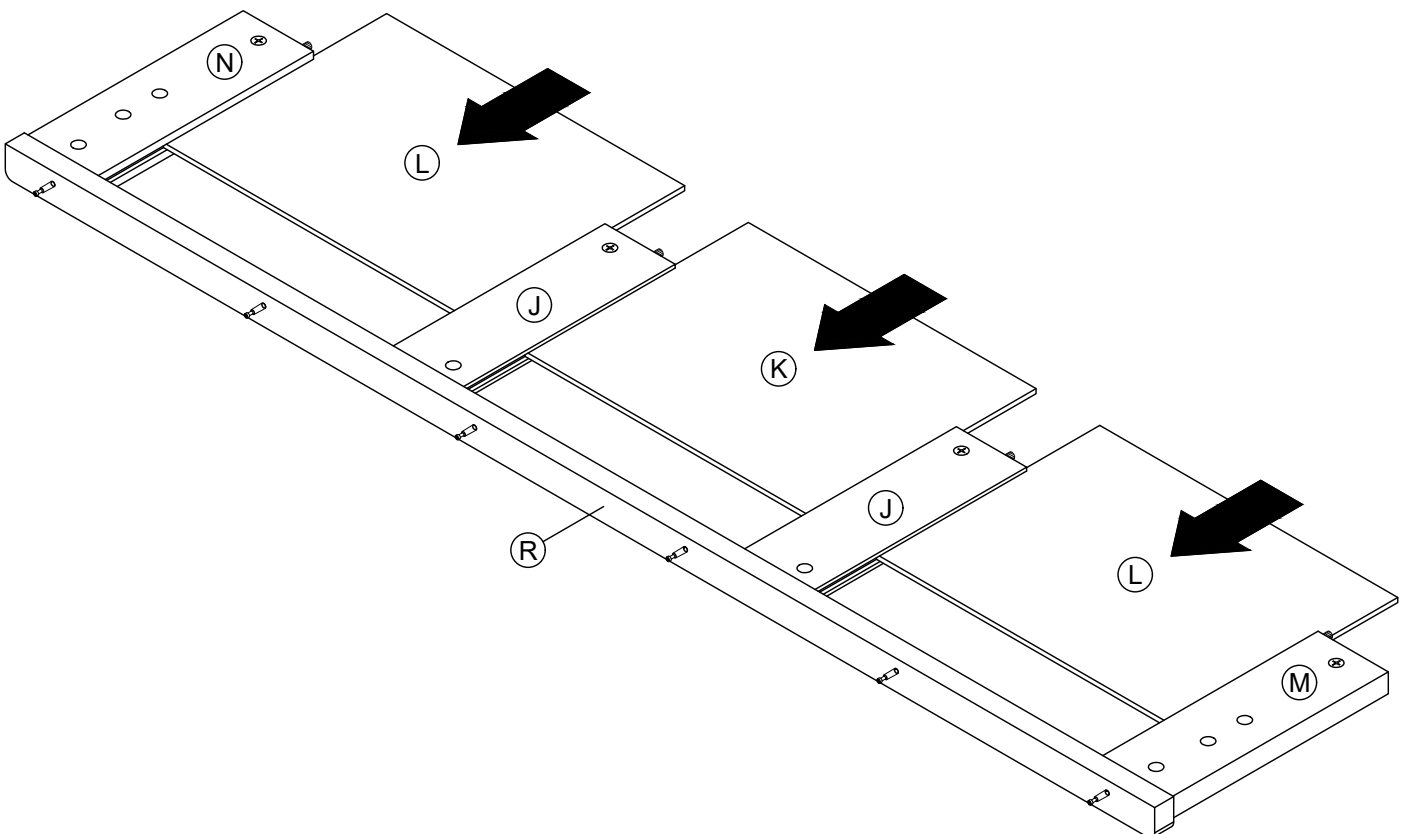
# ASSEMBLY INSTRUCTION

## STEP 11

SCREWDRIVER  
REQUIRED

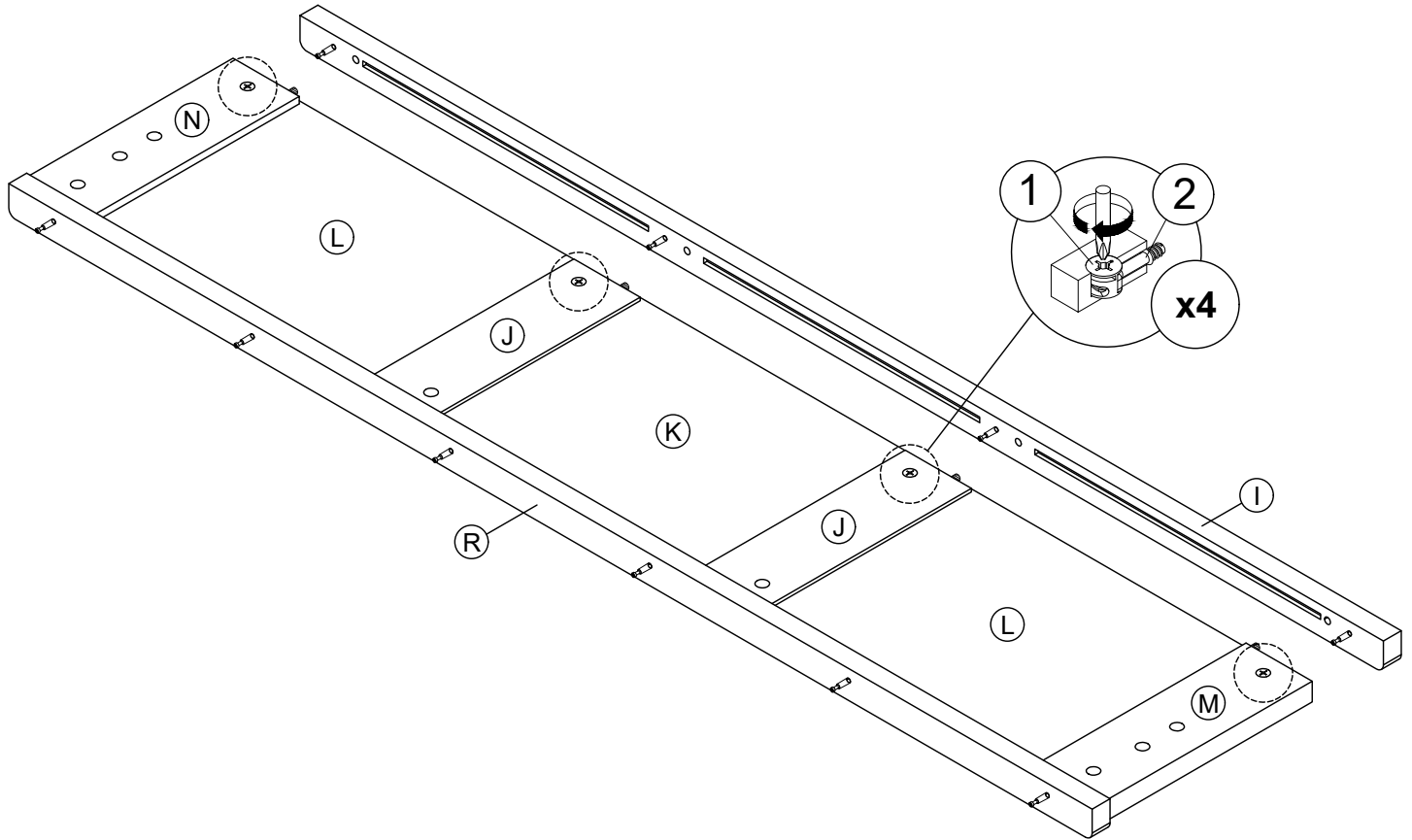


## STEP 12

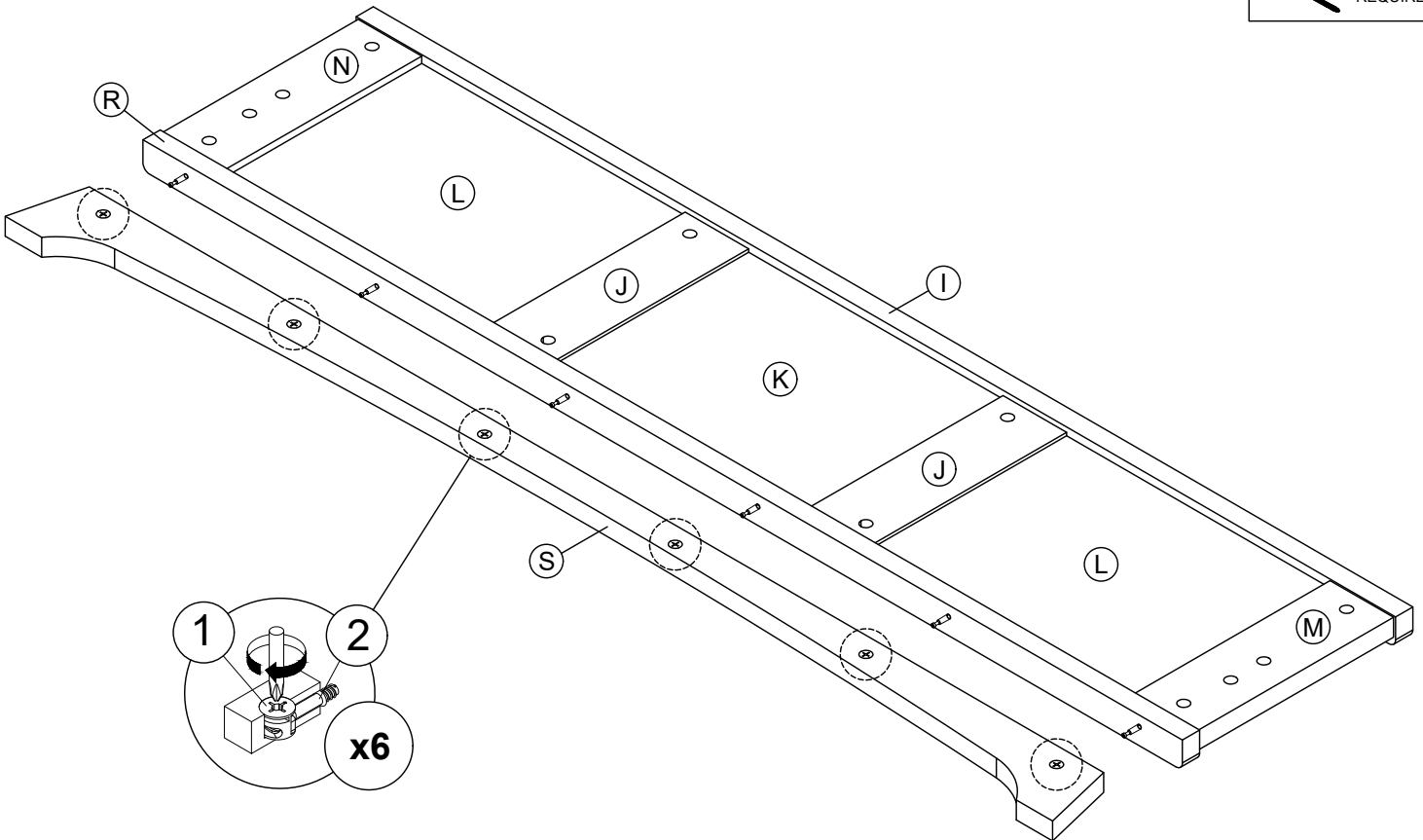


# ASSEMBLY INSTRUCTION

## STEP 13

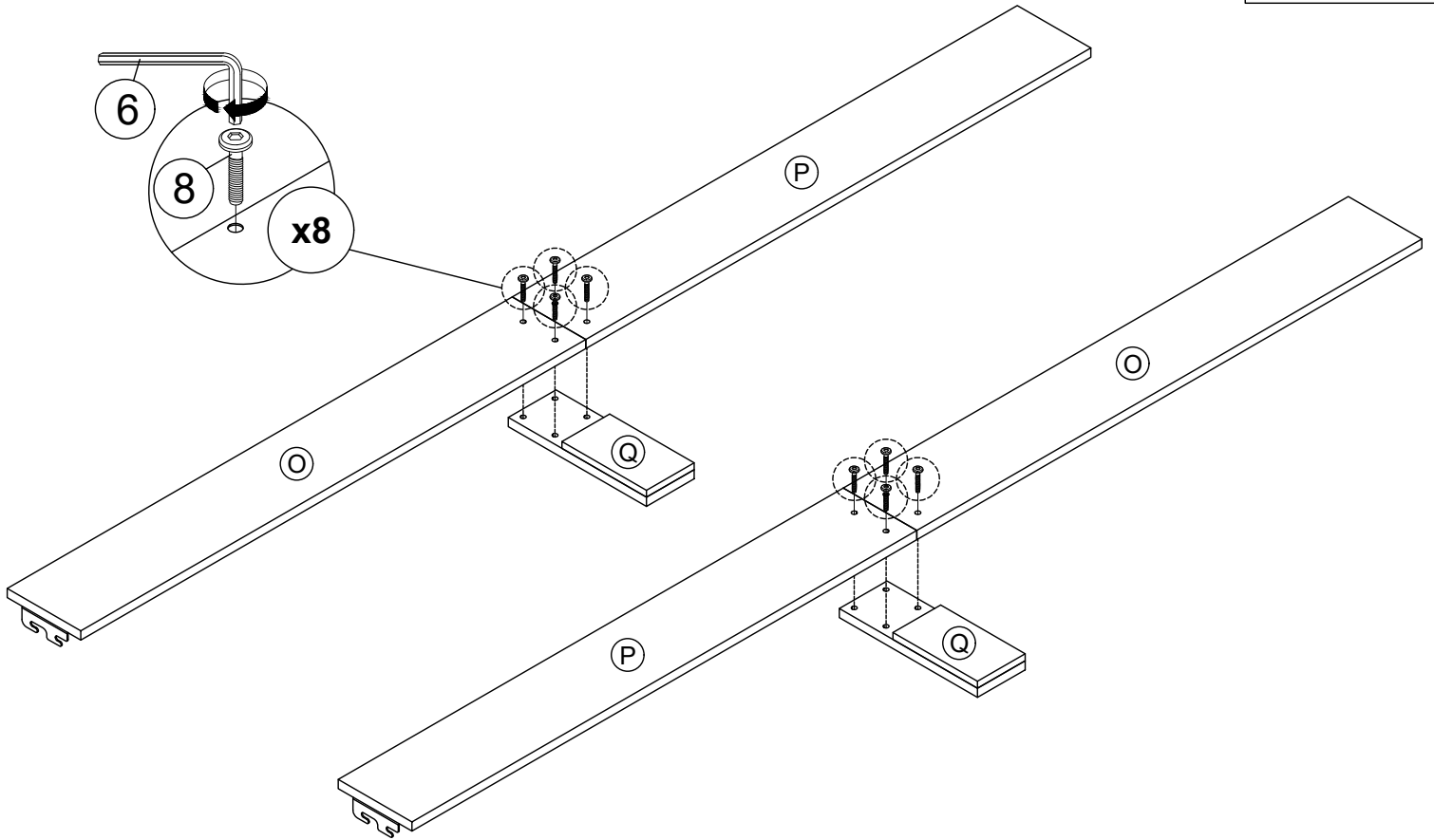


## STEP 14

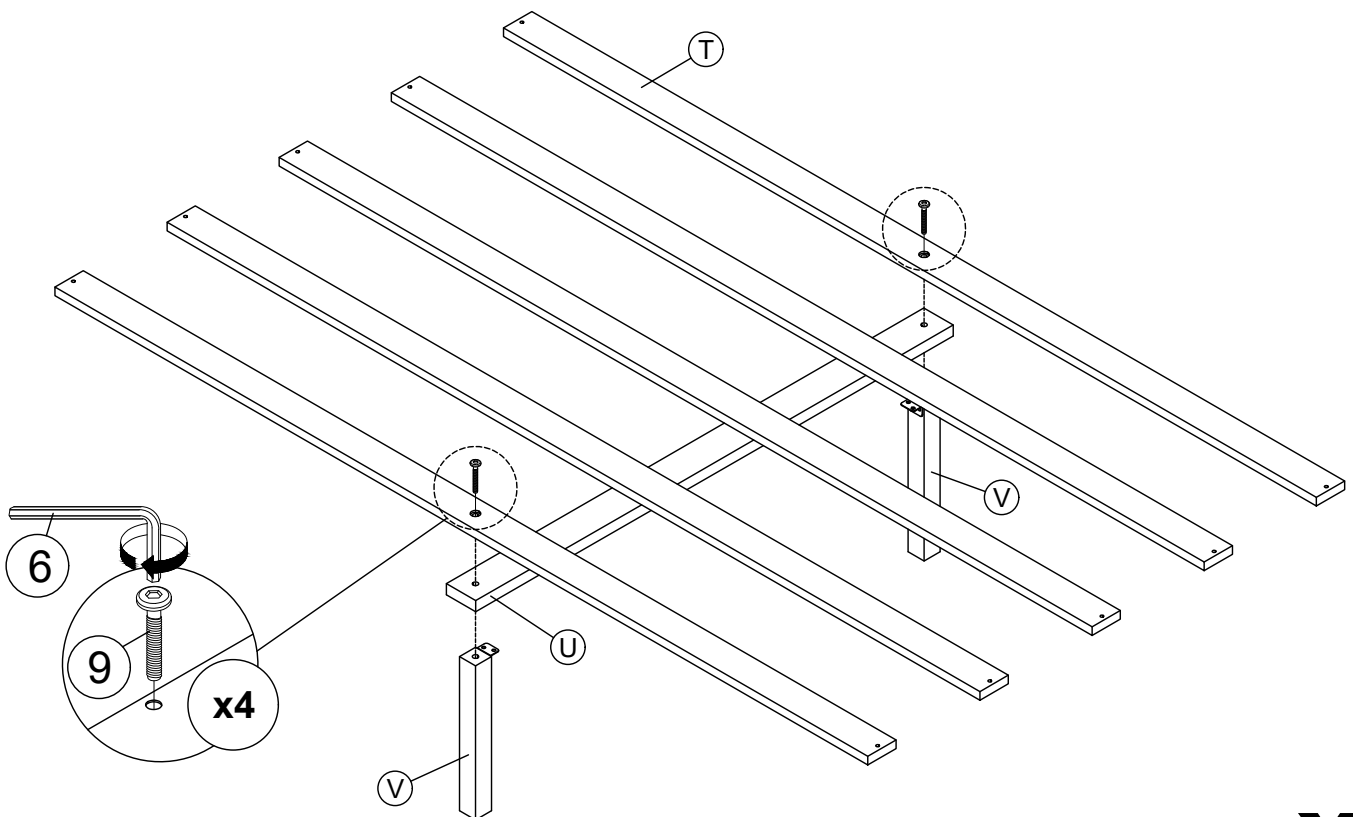


# ASSEMBLY INSTRUCTION

## STEP 15



## STEP 16

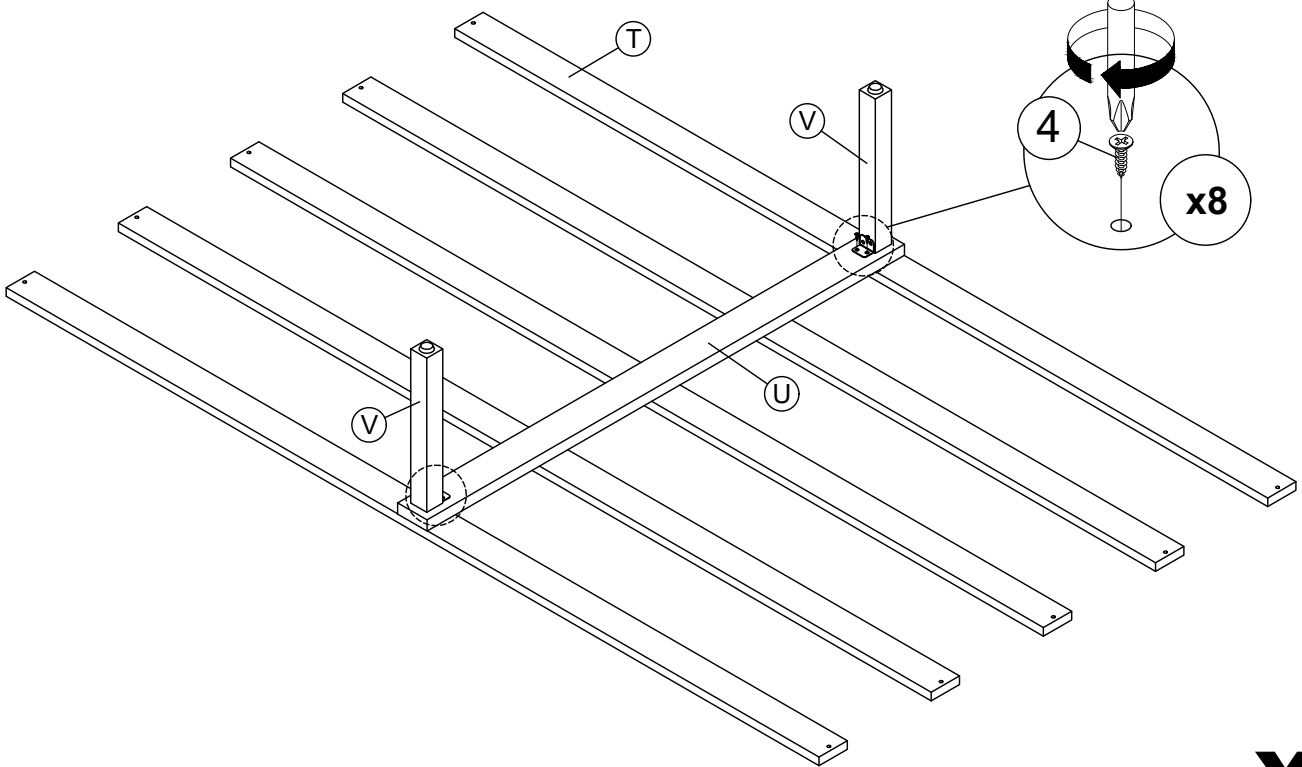


**x2**

# ASSEMBLY INSTRUCTION

STEP 17

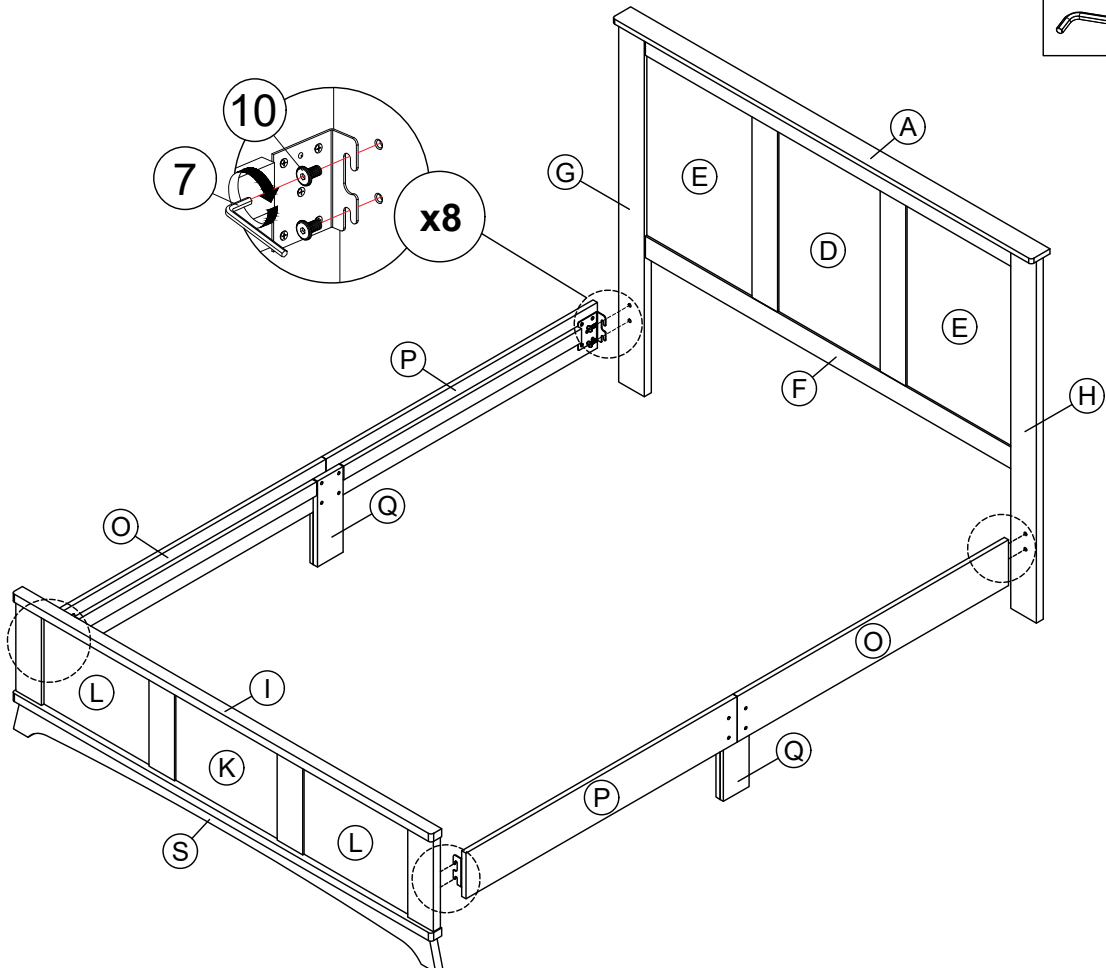
SCREWDRIVER  
REQUIRED



x2

STEP 18

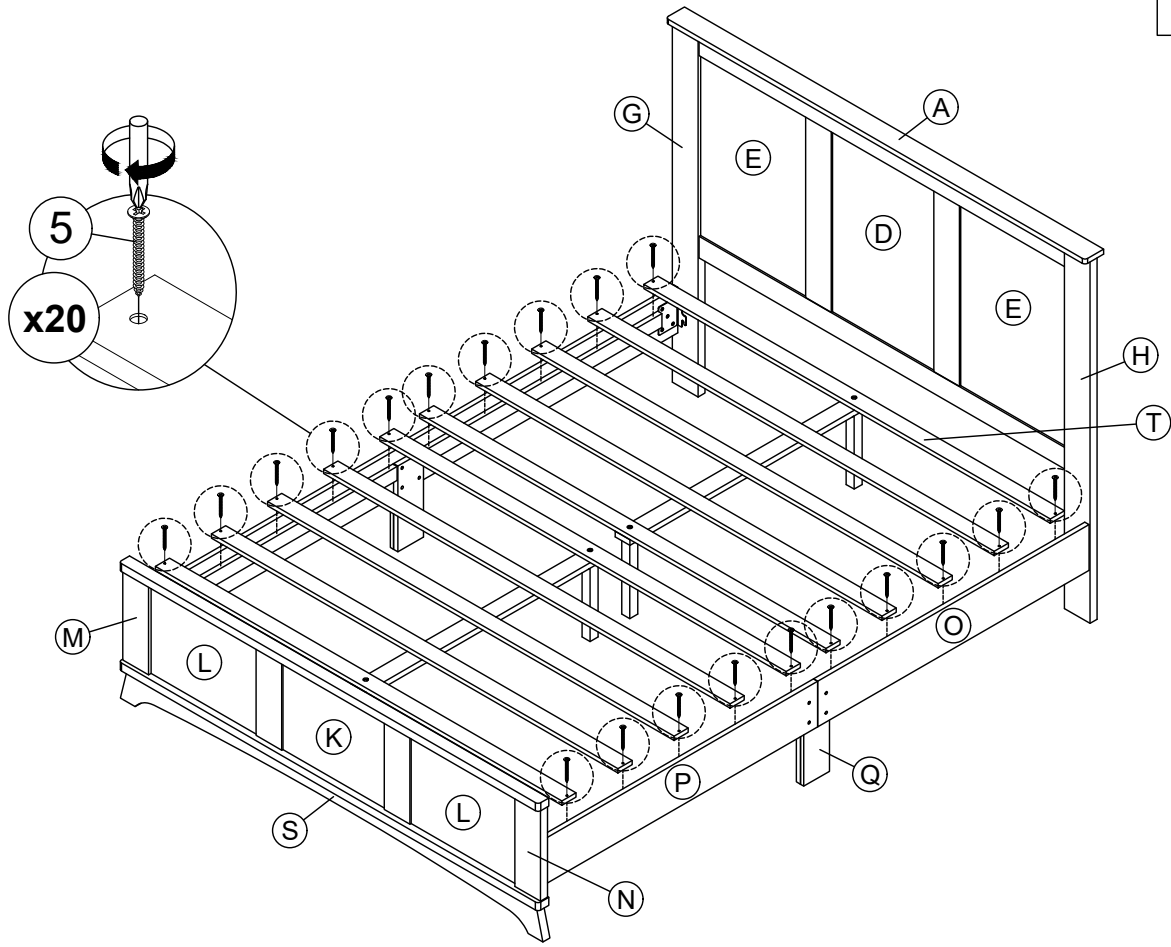
ALLEN KEY  
M5



# ASSEMBLY INSTRUCTION

STEP 19

SCREWDRIVER  
REQUIRED



COMPLETE

