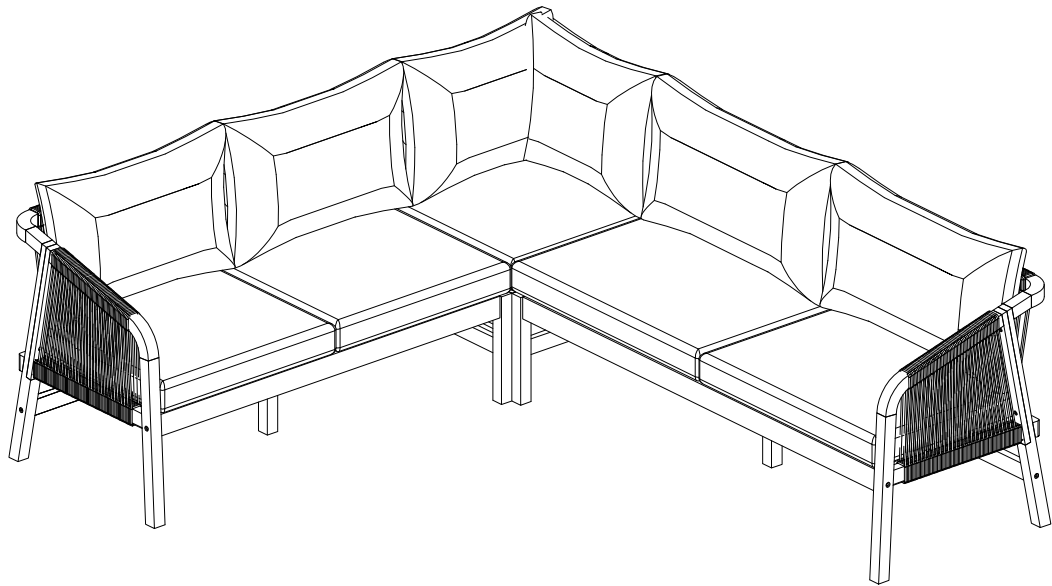


# Instruction Manual

Shiro 238x208cm Wooden Corner Sofa, Brushed Light Acacia

[www.laura-james.co.uk](http://www.laura-james.co.uk)

1697420/ 1702804



# CONTENTS

---

Safety and care advice	<b>1</b>
Components	<b>2</b>
Assembly instructions	<b>4</b>
Copyright	<b>8</b>

# ⚠ SAFETY AND CARE ADVICE ⚠

---

## PLEASE READ THESE INSTRUCTIONS CAREFULLY AND KEEP FOR FUTURE REFERENCE

- **Warning:** Please lift with care.
- Check you have all the components and tools listed on pages 2 and 3.
- Remove all fittings from the plastic bags and separate them into their groups.
- Keep children and animals away from the work area, small parts could choke if swallowed.
- Make sure you have enough space to lay out the parts before starting.
- Do not stand or put weight on the product, this could cause damage.
- Assemble the item as close to its final position (in the same room) as possible.
- Assemble on a soft level surface to avoid damaging the unit or your floor (use opened out unit carton).



- We do not recommend the use of power drill/drivers **for inserting screws**, as this could damage the unit. Only use hand screwdrivers.
- Dispose of all packaging carefully and responsibly.

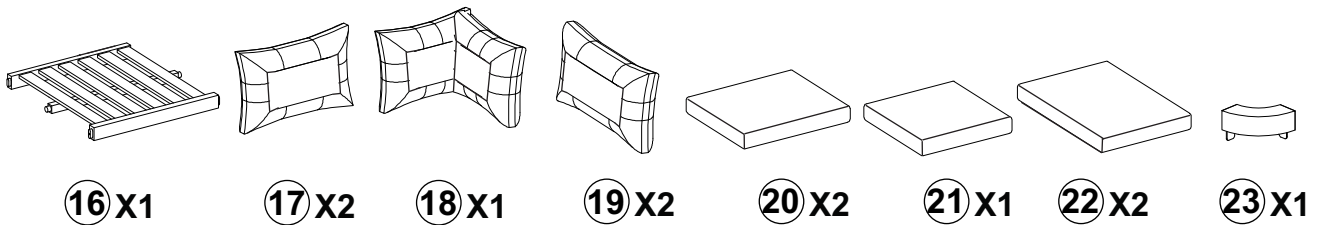
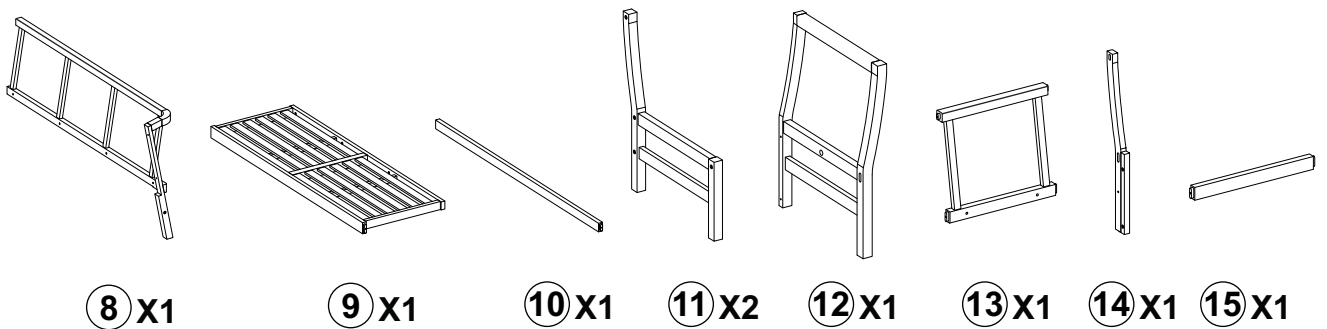
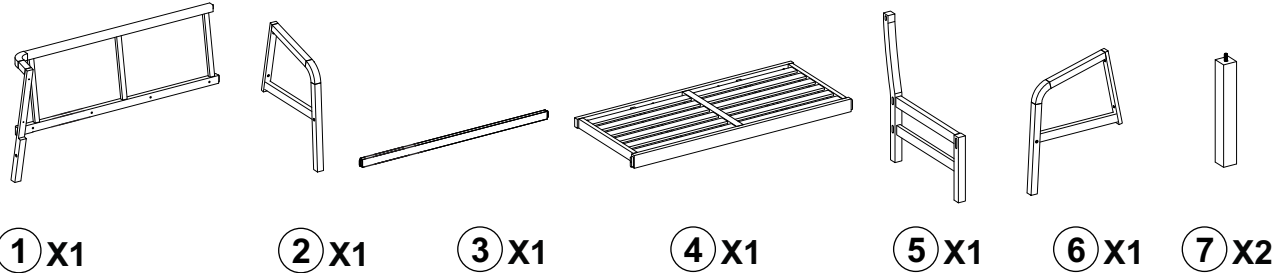
## CARE AND MAINTENANCE

---

- Only clean using a damp cloth and mild detergent, do not use bleach or abrasive cleaners.
  - From time to time check that there are no loose screws on this unit.
  - This product should not be discarded with household waste. Take to your local authority waste disposal center.
- Note** If required the next page can be cut out and used as reference throughout the assembly. Keep this page with these instructions for future reference.*

# COMPONENTS

Please check you have all the panels listed below:



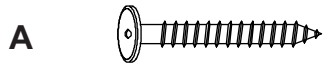
1. Left /Back Frame	x 1	13. Corner / Back Frame	x 1
2. Left / Arm Frame	x 1	14. Corner /Vertical Back Bars	x 1
3. Left / Back Stretcher	x 1	15. Corner /Back Stretcher	x 1
4. Left /Seat Frame	x 1	16. Corner /Seat Frame	x 1
5. Left /End Frame	x 1	17. Left / Back Cushion	x 2
6. Right /Arm Frame	x 1	18. Corner / Back Cushion	x 1
7. Support Leg	x 2	19. Right / Back Cushion	x 2
8. Right /Back Frame	x 1	20. Left / Seat Cushion	x 2
9. Right / Seat Frame	x 1	21. Corner / Seat Cushion	x 1
10. Right /Back Stretcher	x 1	22. Right /Seat Cushion	x 2
11. Right/End Frame	x 2	23. Corner /Connection Block	x 1
12. Corner / Back Frame	x 1		



# COMPONENTS

---

Please check you have all the fittings listed below:



Screw ( $\Phi 6 \times 70 \text{mm}$ ) x 20 (+2)



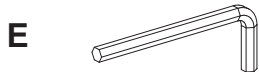
Bolt ( $\Phi 6 \times 50 \text{mm}$ ) x 12 (+2)



Bolt ( $\Phi 6 \times 30 \text{mm}$ ) x 4 (+1)



Screw ( $\Phi 4 \times 15 \text{mm}$ ) x 4 (+1)



Allen key x 2



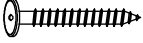


Hole Cover x 4 (+1)

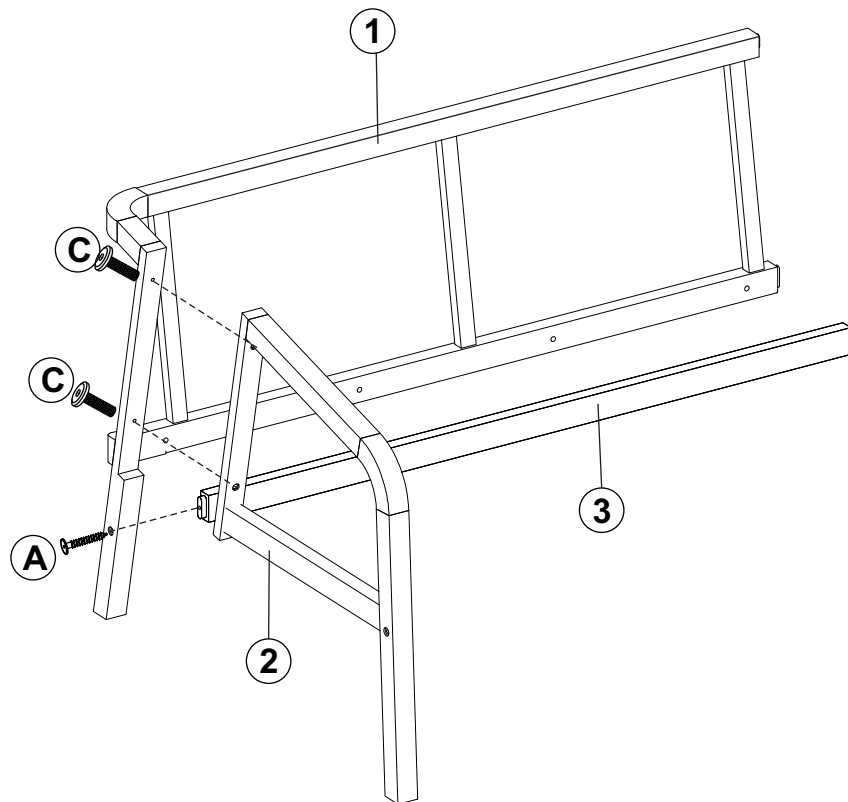


# ASSEMBLY INSTRUCTIONS

---

## Step 1

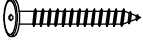


A		1	
C		2	
E		1	

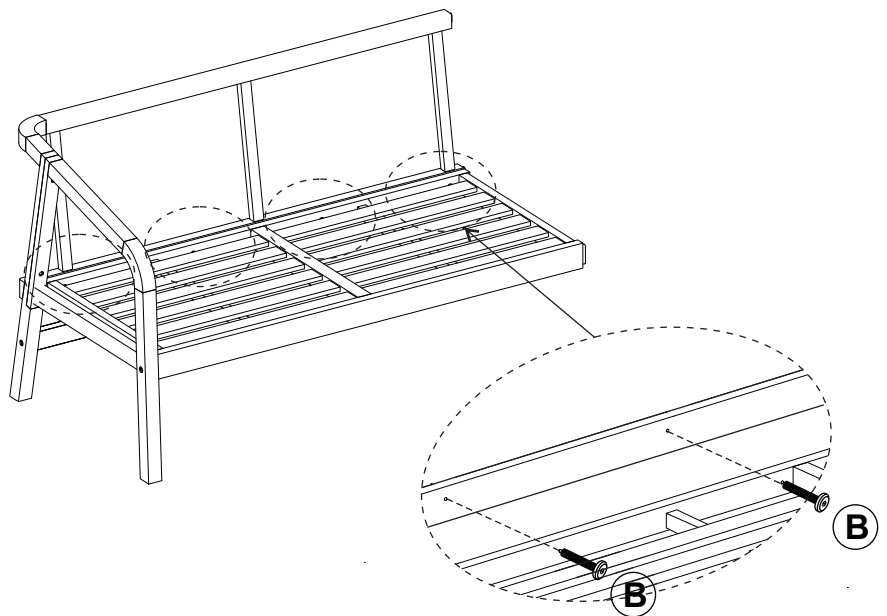
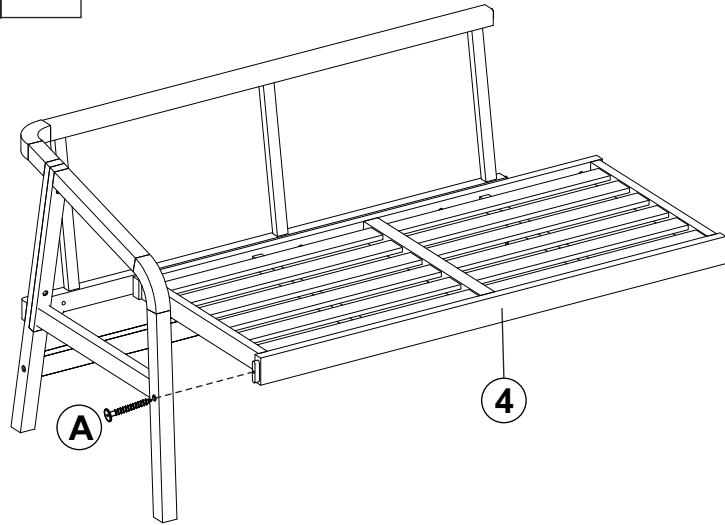


# ASSEMBLY INSTRUCTIONS

---

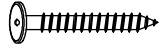

## Step 2

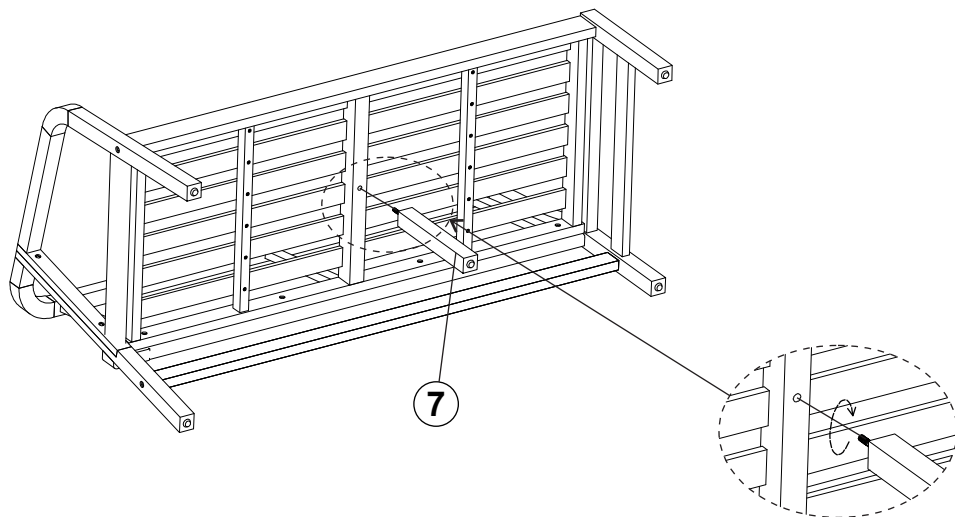
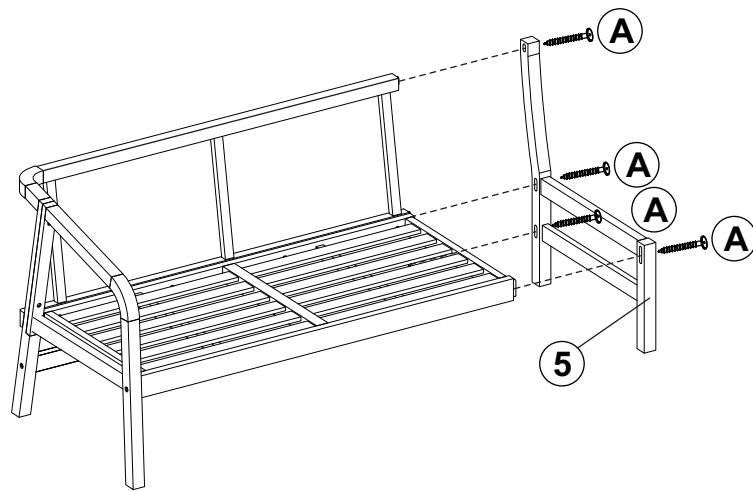
A		1	
B		4	
E		1	



# ASSEMBLY INSTRUCTIONS

## Step 3

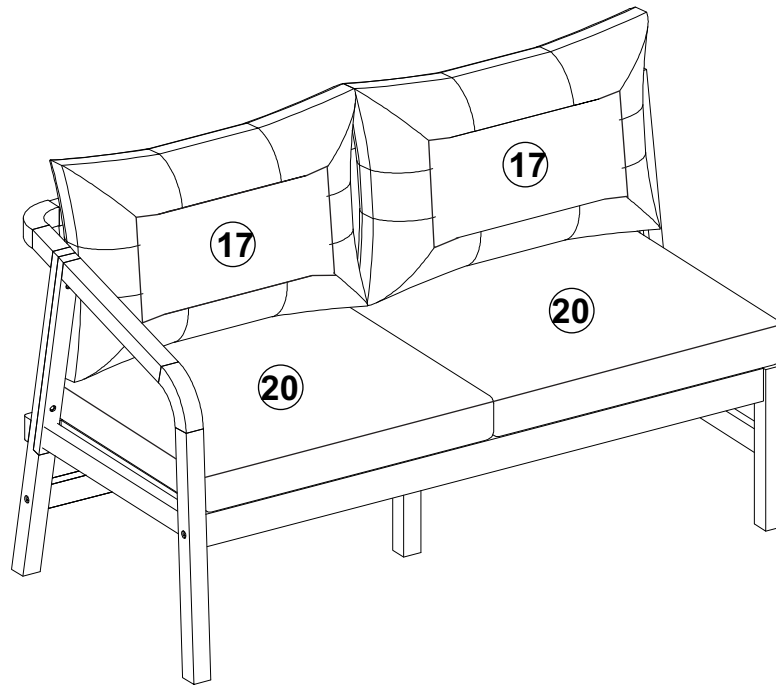
A		4	
E		1	



# ASSEMBLY INSTRUCTIONS

---

## Step 4

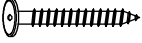




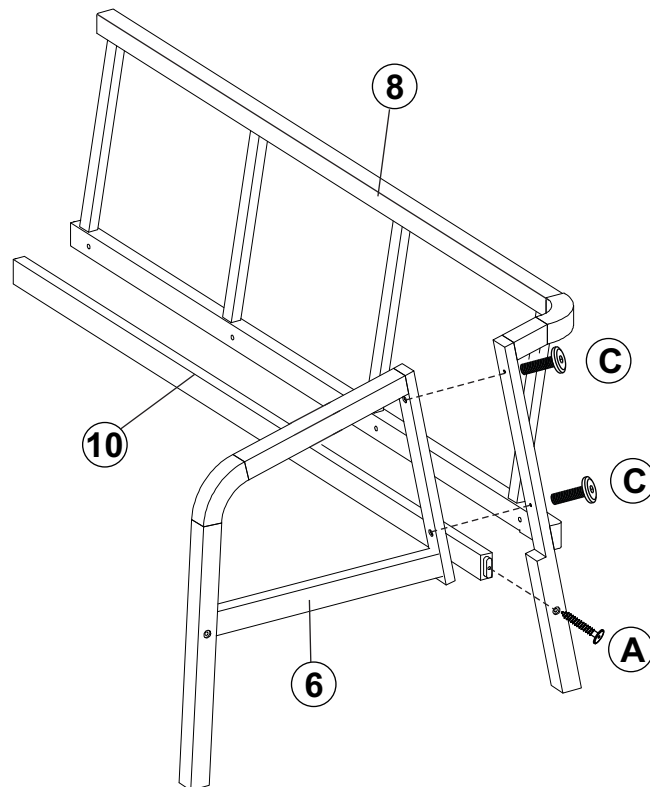
Congratulations! Now you have finished assembling the product.

# ASSEMBLY INSTRUCTIONS

---

## Step 5

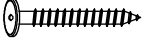


A		1	
C		2	
E		1	

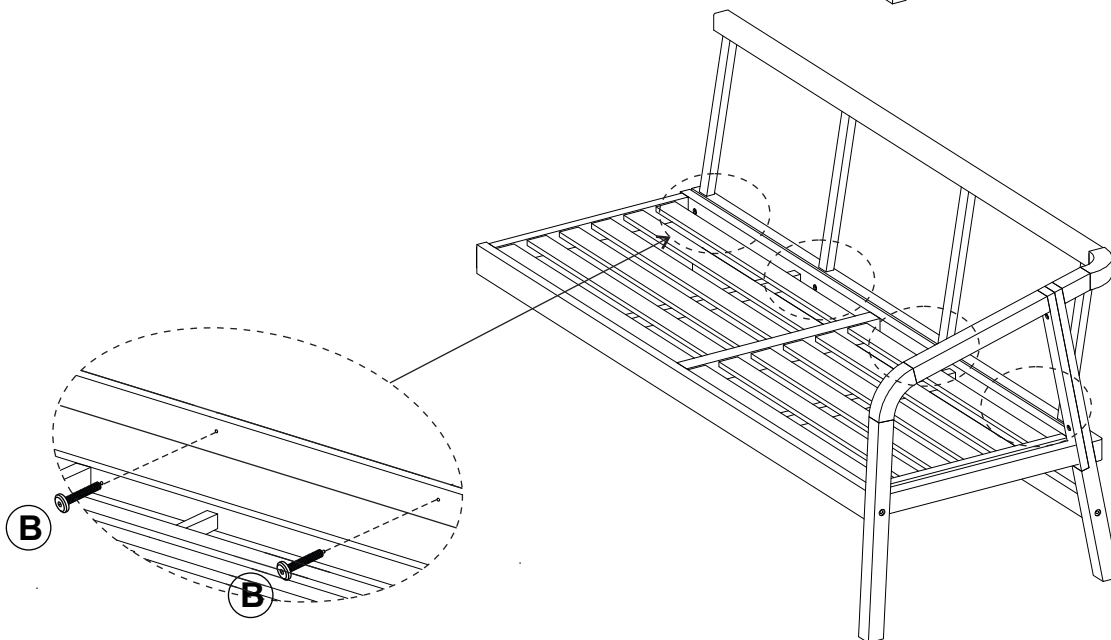
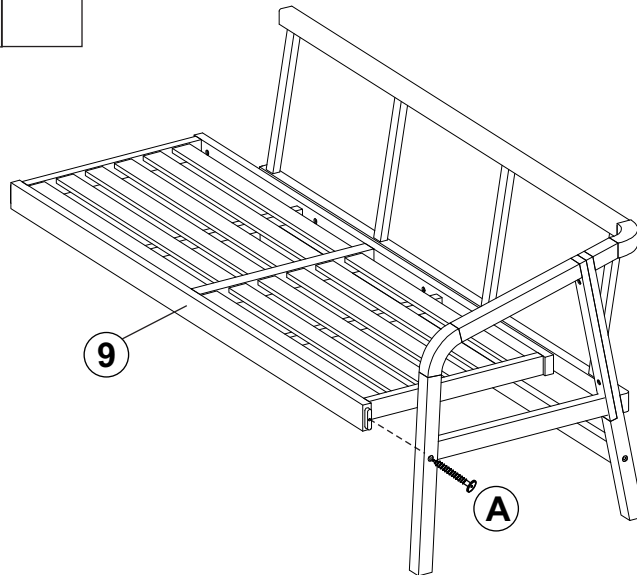


# ASSEMBLY INSTRUCTIONS

---

## Step 6



A		1	
B		4	
E		1	

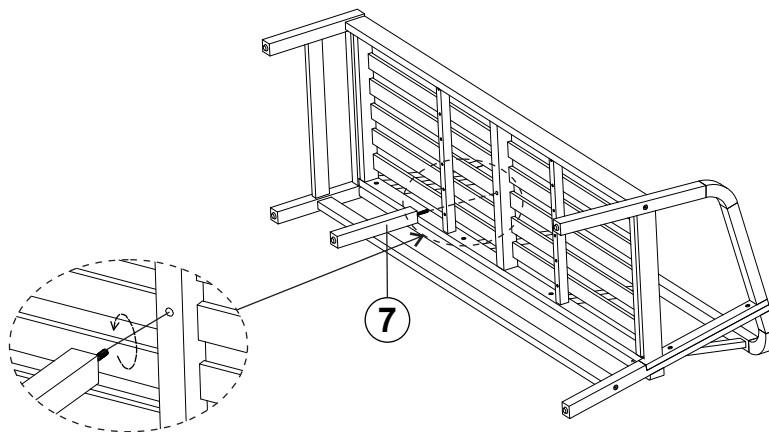
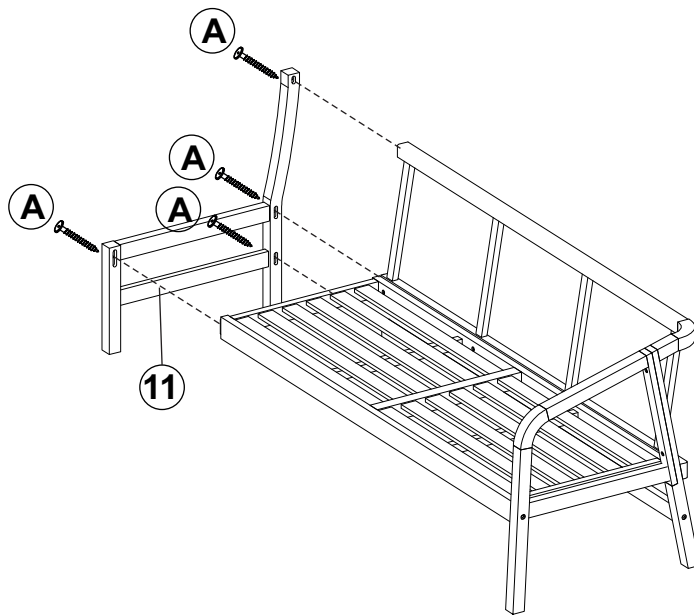


# ASSEMBLY INSTRUCTIONS

---

## Step 7

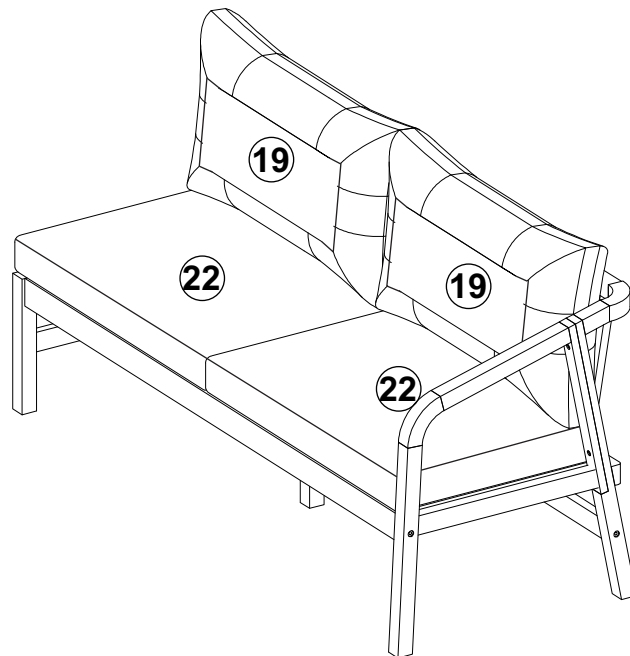
A		4	
E		1	



# ASSEMBLY INSTRUCTIONS

---

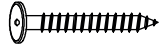

## Step 8

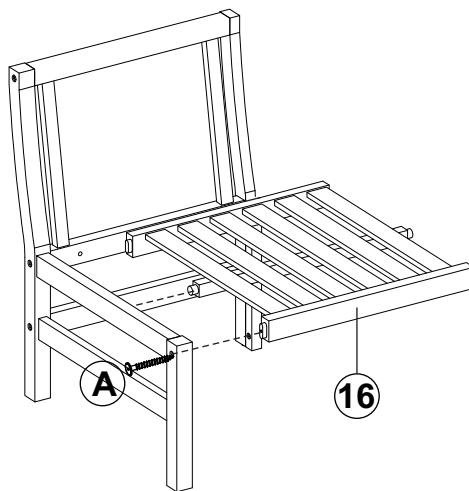
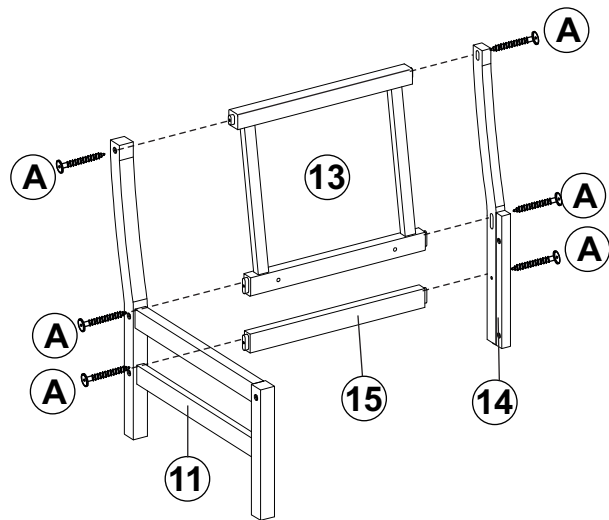


# ASSEMBLY INSTRUCTIONS

---

## Step 9



A		7	
E		1	

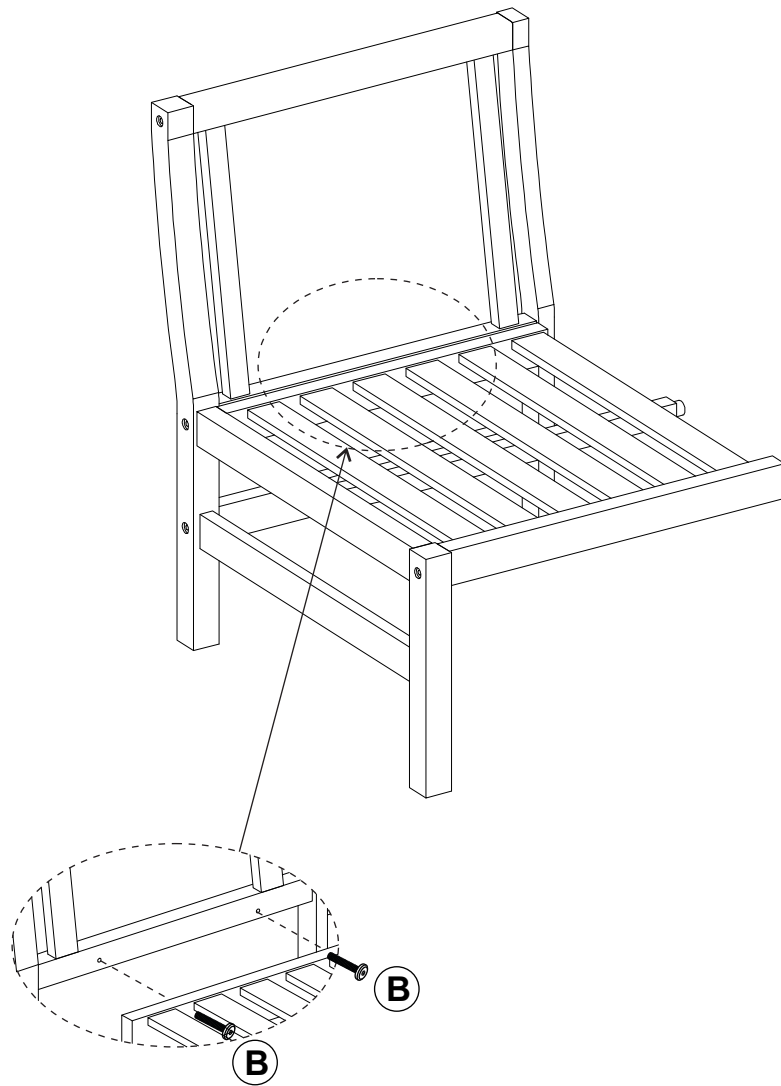


# ASSEMBLY INSTRUCTIONS

---

## Step 10

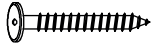


<b>B</b>		<b>2</b>	
<b>E</b>		<b>1</b>	

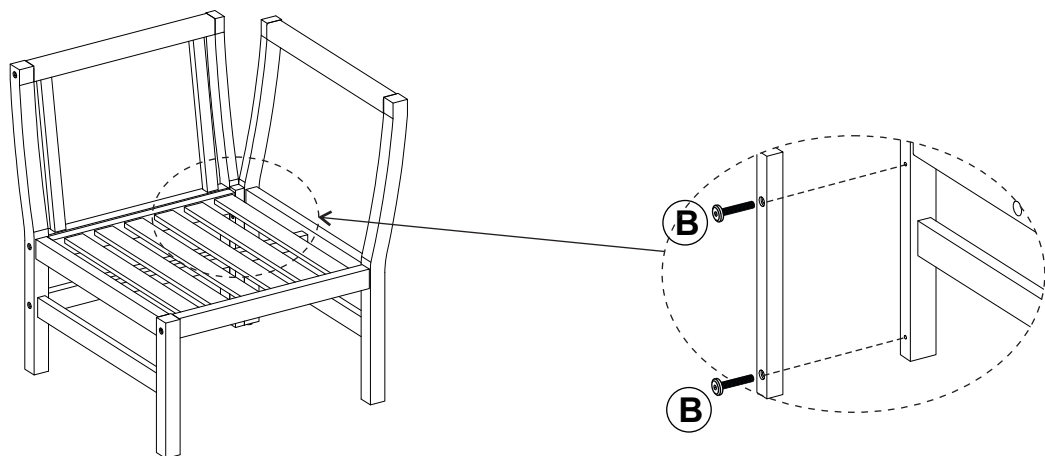
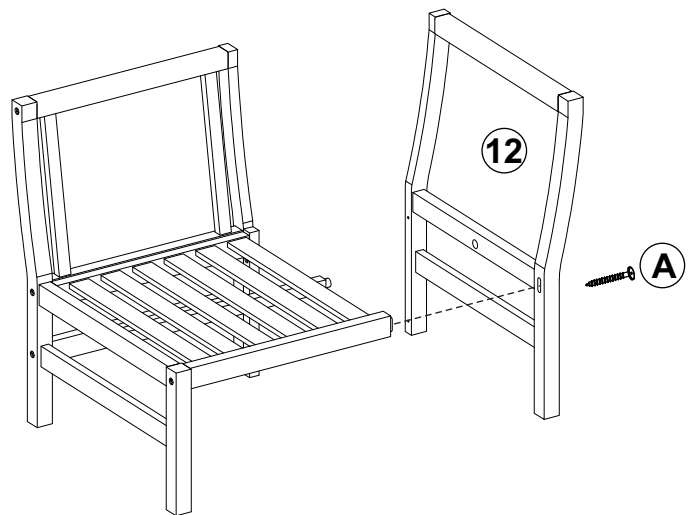


# ASSEMBLY INSTRUCTIONS

---

## Step 11

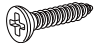
A		1
B		2
E		1

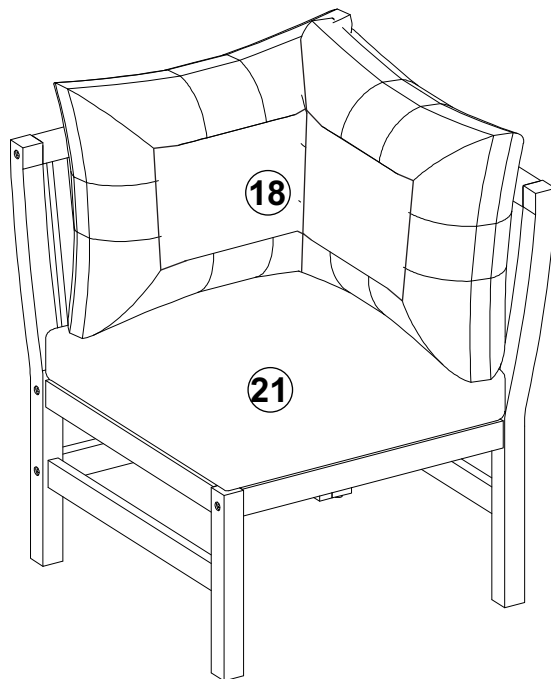
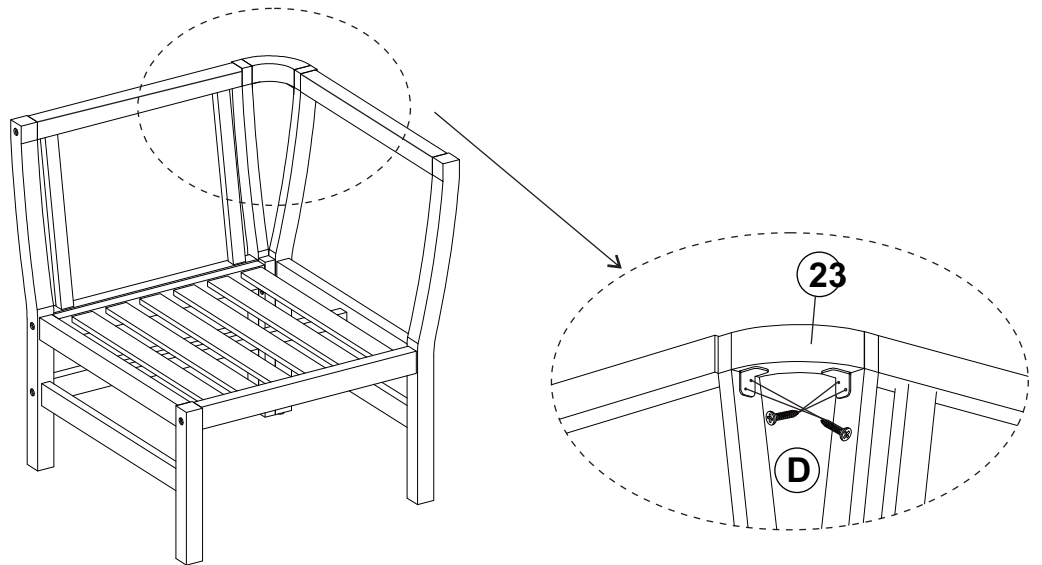


# ASSEMBLY INSTRUCTIONS

---

## Step 12

D		4	
---	---	---	--

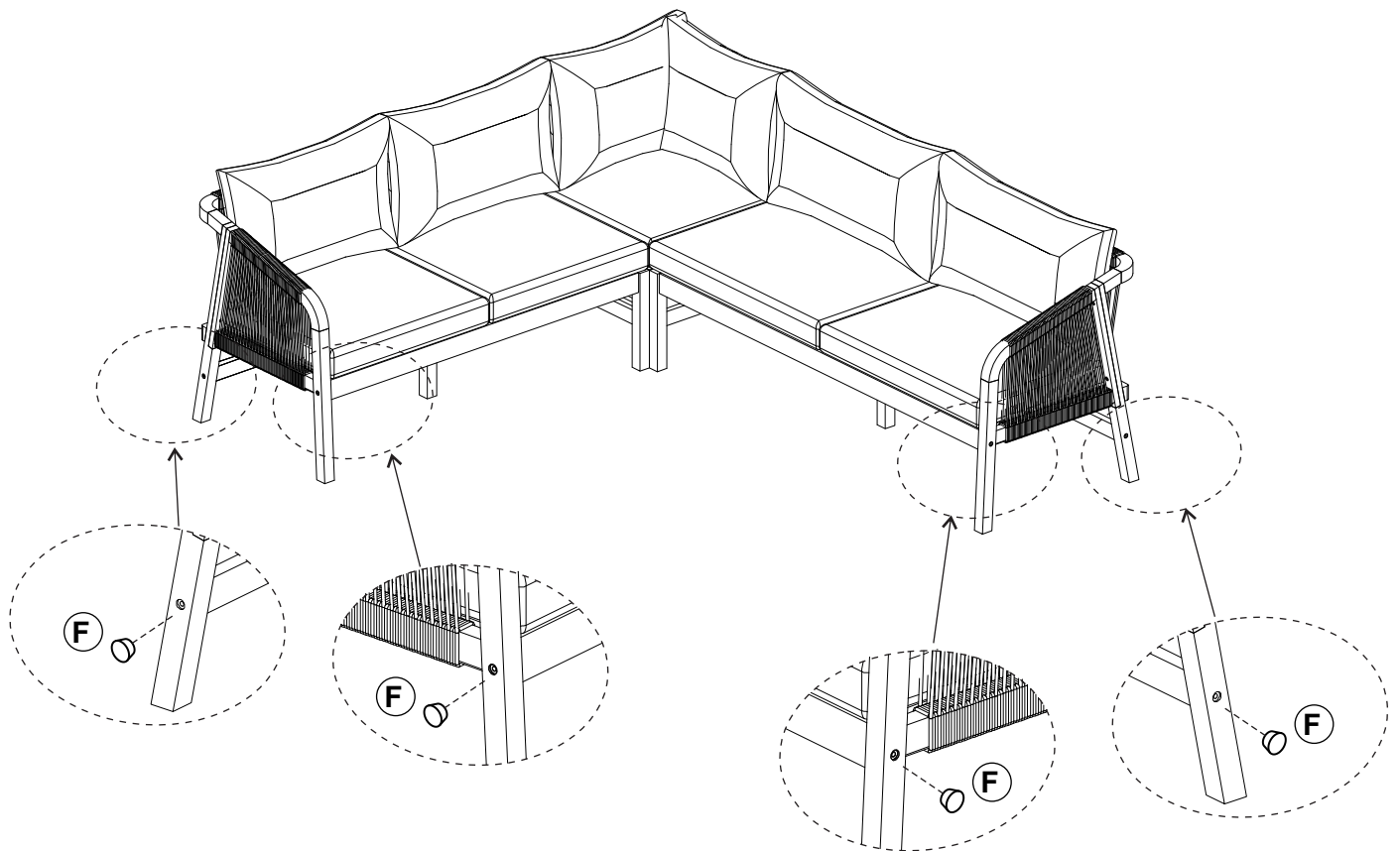


# ASSEMBLY INSTRUCTIONS

---

## Step 13

F		4	
---	---	---	--



## IF YOU FIND A DEFECTIVE PART

---

We fully stock all parts and components. Any defective part can be quickly replaced. Take note of the defective part number in manual and we will arrange a quick replacement.

You can email our team at [customercare@laura-james.co.uk](mailto:customercare@laura-james.co.uk)

## COPYRIGHT

---

All material in this instruction manual is copyrighted by AGTC Ltd.

Any unauthorised use may violate worldwide copyright, trademark and other laws.

Thank you for purchasing!

Laura James® is a registered trademark of AGTC Ltd.  
Made in Vietnam for AGTC LTD S35 9ZX

---