

**MOTION LOVESEAT WITH CONSOLE**

**ASSEMBLY INSTRUCTION**



# Assembly Instruction

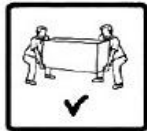
**ASSEMBLY TIPS:**

1. Remove hardware from box and sort by size.
2. Please check to see that all hardware and parts are present prior to start of assembly.
3. Please follow attached instructions in the same sequence as numbered to assure fast & easy assembly.



**Warning !**

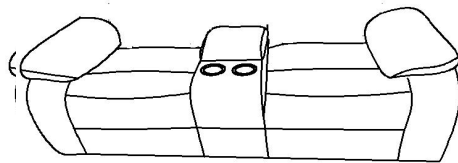
1. Do not attempt to repair or modify parts that are broken or defective. Please contact the store immediately.
2. This product is for home use only and intended for commercial establishment.



ASSEMBLY TIME PER UNIT: 15MINUTES

## PARTS IDENTIFICATION

A



**BASE**

1PC

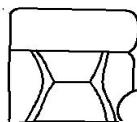
B



**LEFT BACK**

1PC

C



**RIGHT BACK**

1PC

D



**LEFT EAR**

1PC

E



**RIGHT EAR**

1PC

F



**CONSOLE BACK**

1PC

## HARDWARE PACKAGE

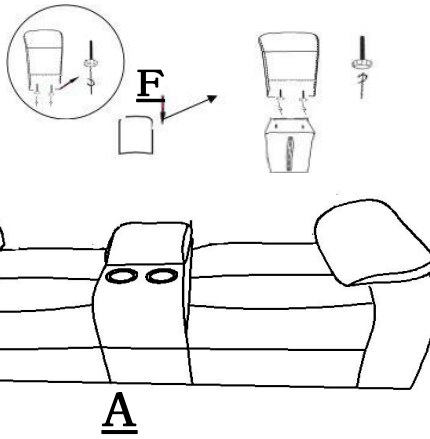
1



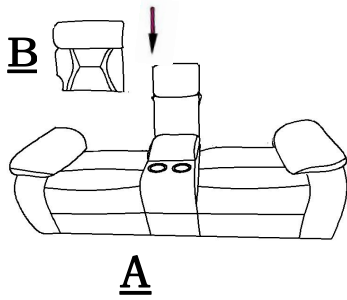
**BOLT**

2PCS

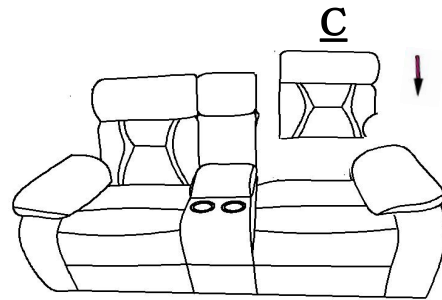
STEP 1



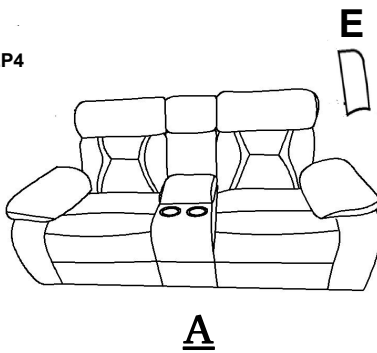
STEP 2



STEP 3



STEP 4



STEP 5

