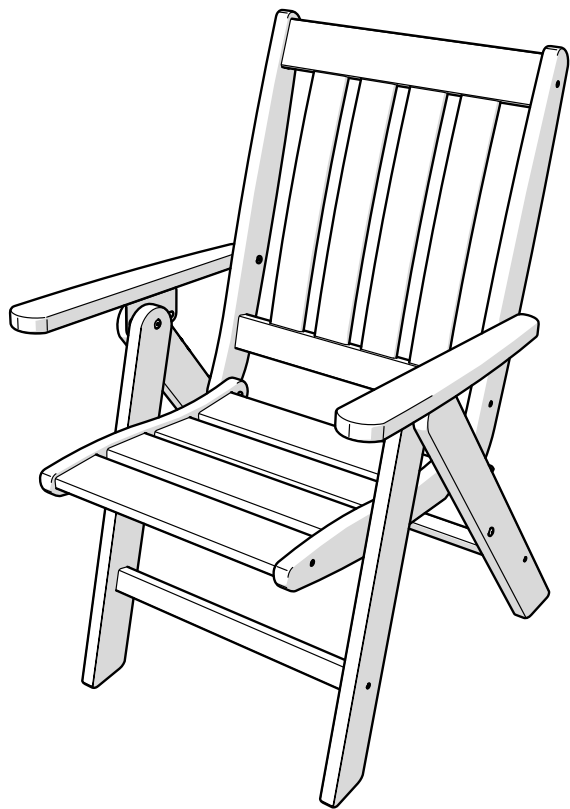


POLYWOOD

Assembly Instructions



1. Unfold chair
2. Remove shipping caps from rear brackets

VND38 Vineyard Folding Chair

polywoodoutdoor.com

Thank You

Thank you for choosing POLYWOOD!
We hope our furniture helps create a gathering place for you and your loved ones to enjoy for many years to come!



Reach Out

Let us know how we're doing:
hello@polywoodoutdoor.com
(833) 665-6300



Stay Connected

Be the first to hear about new products, giveaways, and more by signing up for our email list: polywoodoutdoor.com/subscribe



Watch & Learn

For assembly tips and videos visit:
polywoodoutdoor.com/assembly

Share your space

We love to see where our furniture ends up — snap a pic and tag it on Instagram or Facebook for your chance to be featured on our social channels!

#polywood #rethinkoutdoor



facebook.com/polywoodoutdoor



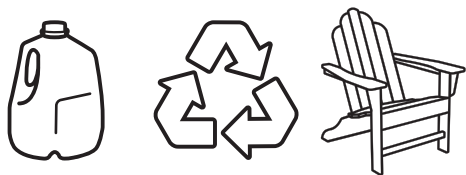
[@POLYWOOD](https://www.instagram.com/POLYWOOD)



pinterest.com/polywood



youtube.com/polywood



Did you know?

POLYWOOD was the original outdoor furniture made from recycled materials.

Learn more about our story:
genuinePOLYWOOD.com



20-year warranty

View our full warranty:

polywoodoutdoor.com/warranty



Having trouble?

If you have questions or concerns regarding assembly instructions or missing parts, please contact us at **hello@polywoodoutdoor.com** or **(833) 665-6300**



Cleaning tips

For a Quick Clean:

Simply wipe down with soap and water.

For a Deep Clean:

Wipe on $\frac{1}{3}$ bleach and $\frac{2}{3}$ water solution with a clean cloth and let it sit on the lumber for a few minutes (this will not affect the color). Then, loosen any dirt and debris that may catch in surface grooves with a soft bristle brush; hose down to rinse.

For a High-Power Clean:

Use a pressure power washer (not exceeding 1,500 psi) to spray off dirt and debris. Apply a $\frac{1}{3}$ bleach and $\frac{2}{3}$ water solution and scrub with a soft-bristle brush. Hose down to rinse.



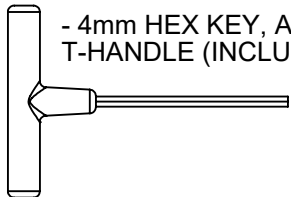
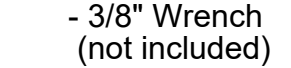
All Weather Furnishings

Model:

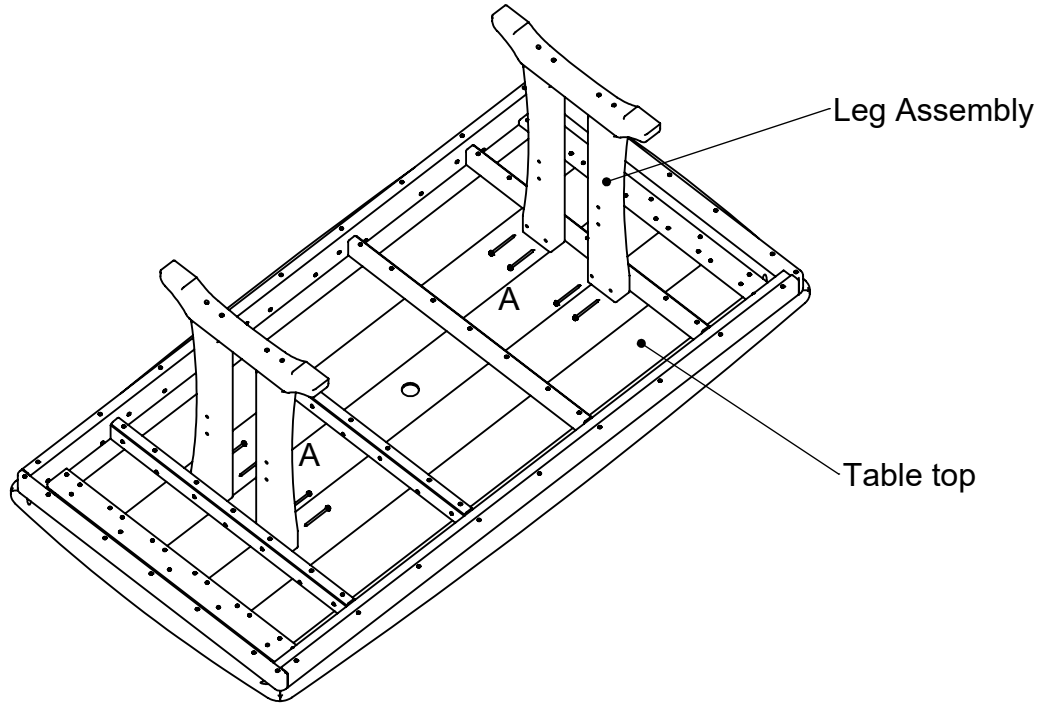
PL83-T2L1, PLB83-T2L1, PLR83-T2L1

- (1) Table top
- (2) Leg Assemblies
- (2) Brace
- (1) Hardware pack

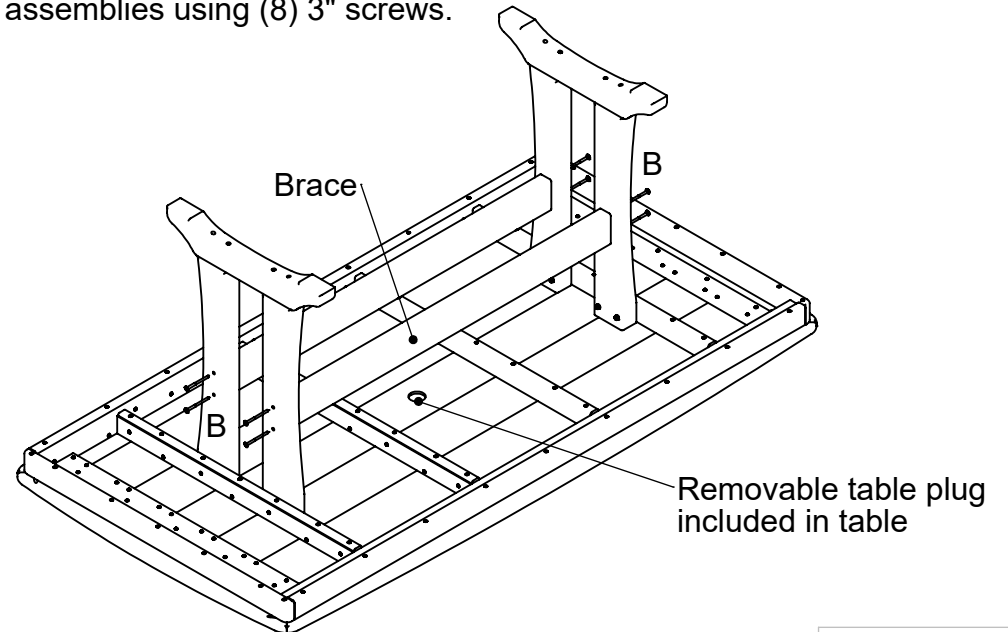
TOOLS NEEDED

-  - 4mm HEX KEY, ALLEN, T-HANDLE (INCLUDED)
-  - 3/8" Wrench (not included)

Step 1
Attach leg assemblies to table top using (8) 3" hex washer screws.



Step 2
Attach braces to leg assemblies using (8) 3" screws.

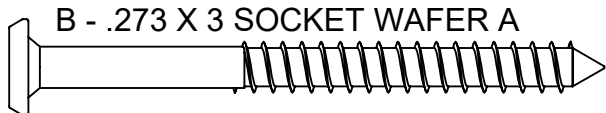


| Qty. | Description |
|------|-------------|
|------|-------------|

| | |
|---|------------------------------------|
| 8 | A - 14 X 3.00 HEX WASHER T-A ALCHM |
|---|------------------------------------|



| | |
|---|-----------------------------|
| 8 | B - .273 X 3 SOCKET WAFER A |
|---|-----------------------------|



POLYWOOD®

All Weather Furnishings

Join the POLYWOOD® Community

Share in the love of outdoor living, recycling, and more...



POLYWOOD



@POLYWOODINC



youtube.com/polywood



POLY-WORLD
Blog



POLYWOOD



To view our full warranty, please visit the warranty page on our website at polywoodinc.com/resources.

If you have questions or concerns regarding assembly instructions or missing parts, please contact us at (877) 457-3284 or email support@polywoodinc.com