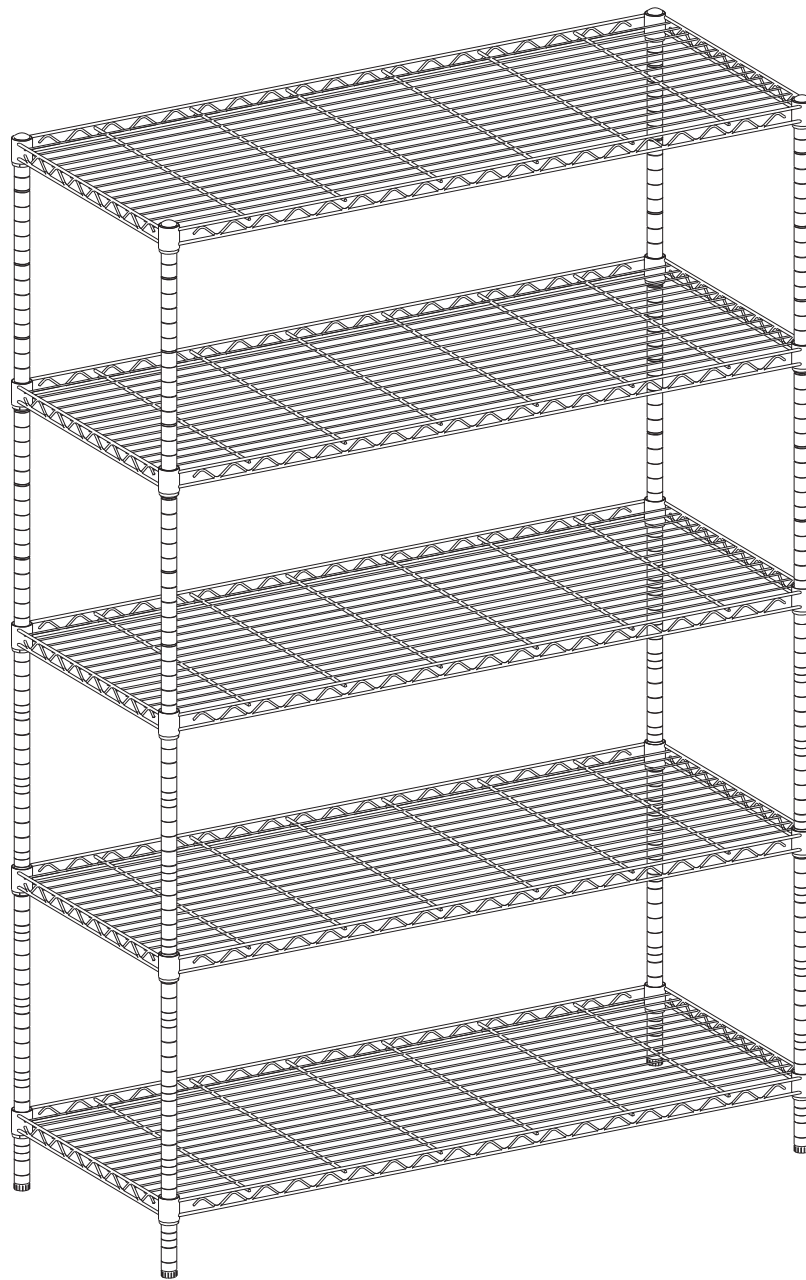


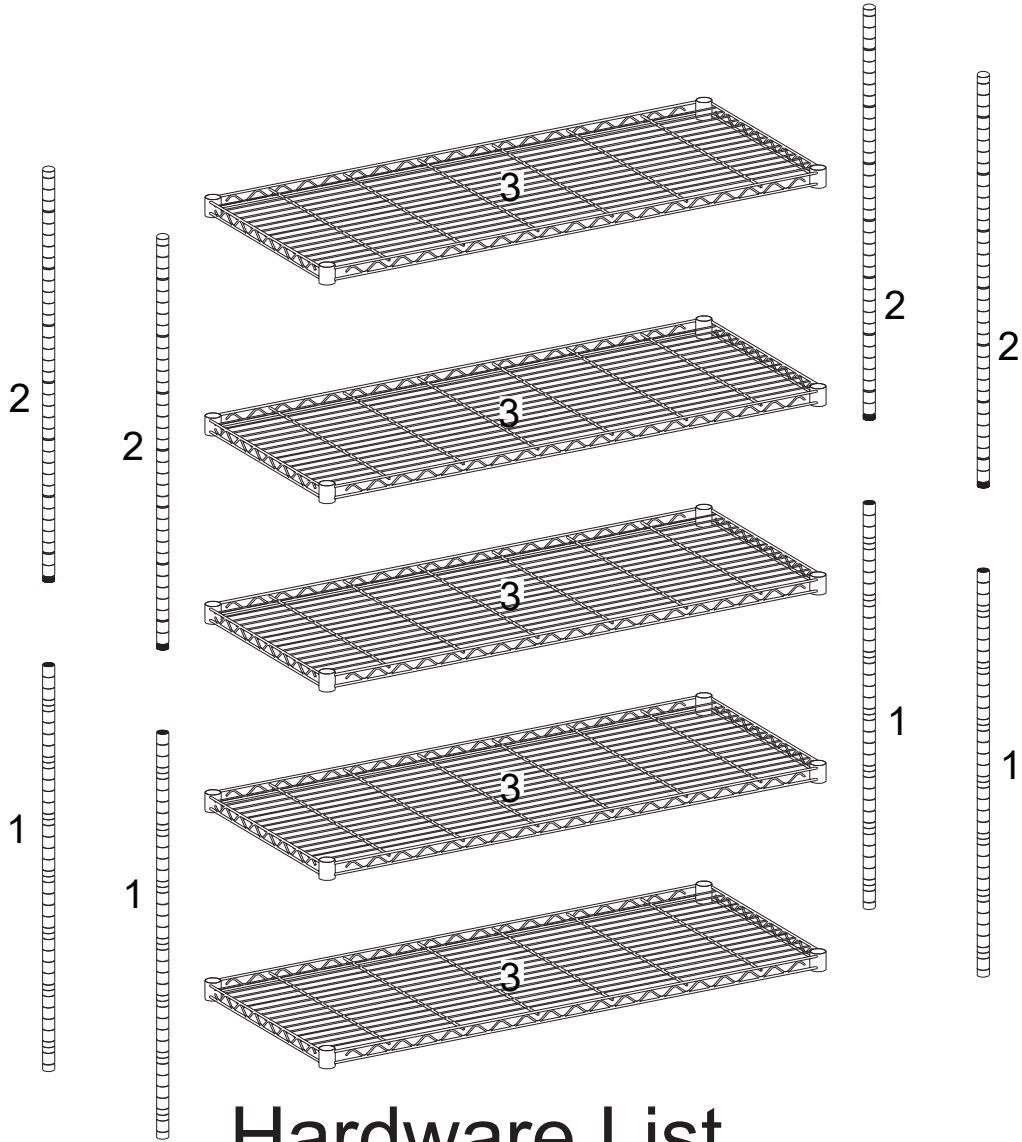
# 5 Tiers Storage Racks

## Instruction Manual

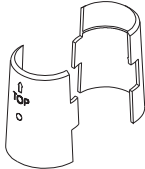
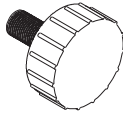
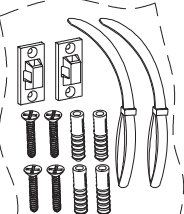


# Parts List

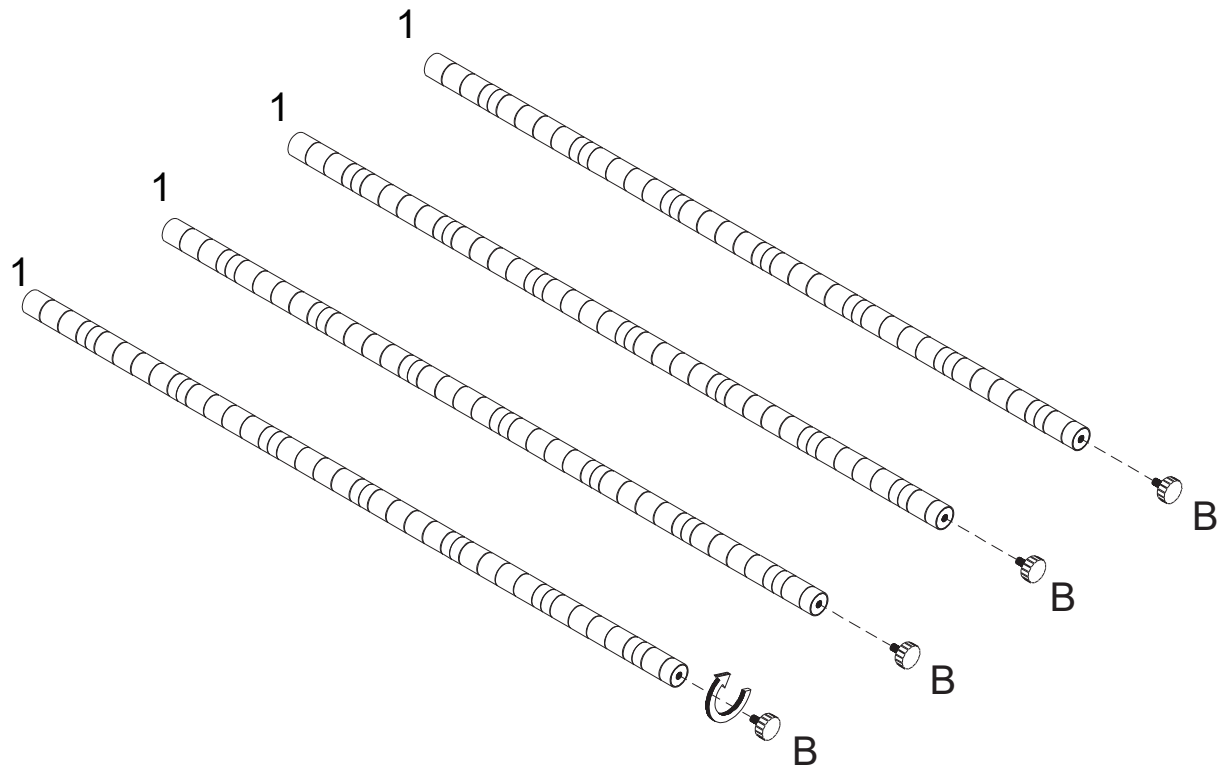
- Carefully remove all the parts from the carton and place them individually on a soft cloth to prevent scratches or other damage.
- Carefully and strictly follow these assembly&installation instructions to ensure a completed product as designed.



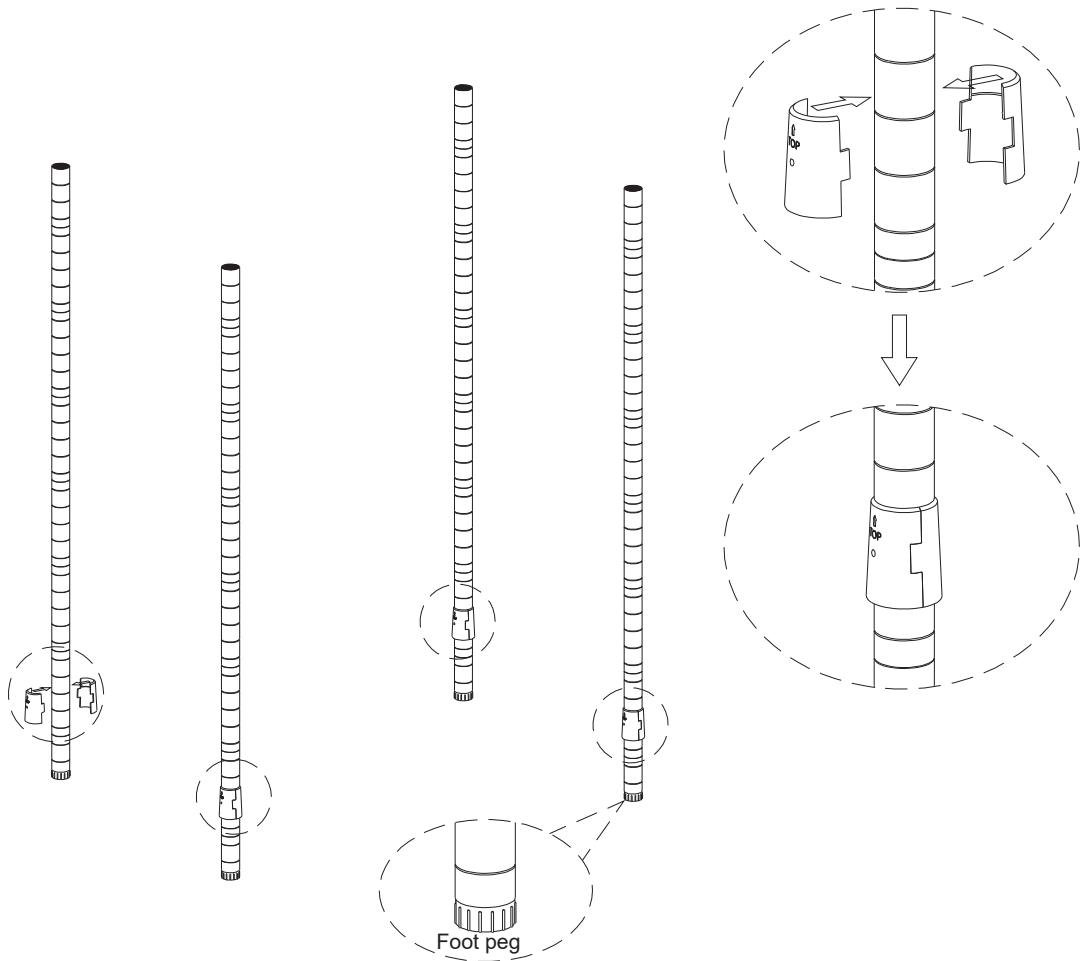
## Hardware List

A		Plastic Clip	20 Sets
B		Foot peg	4 pcs
C		Anti-tipping hardware	1 Sets

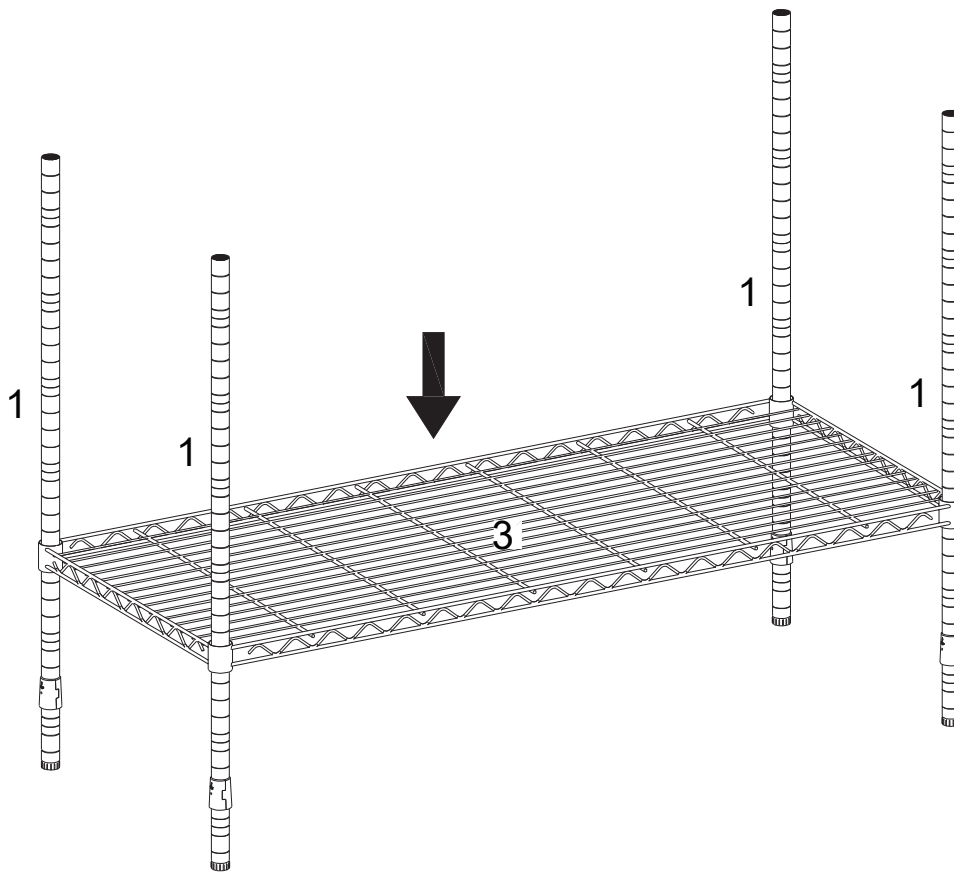
# Step 1



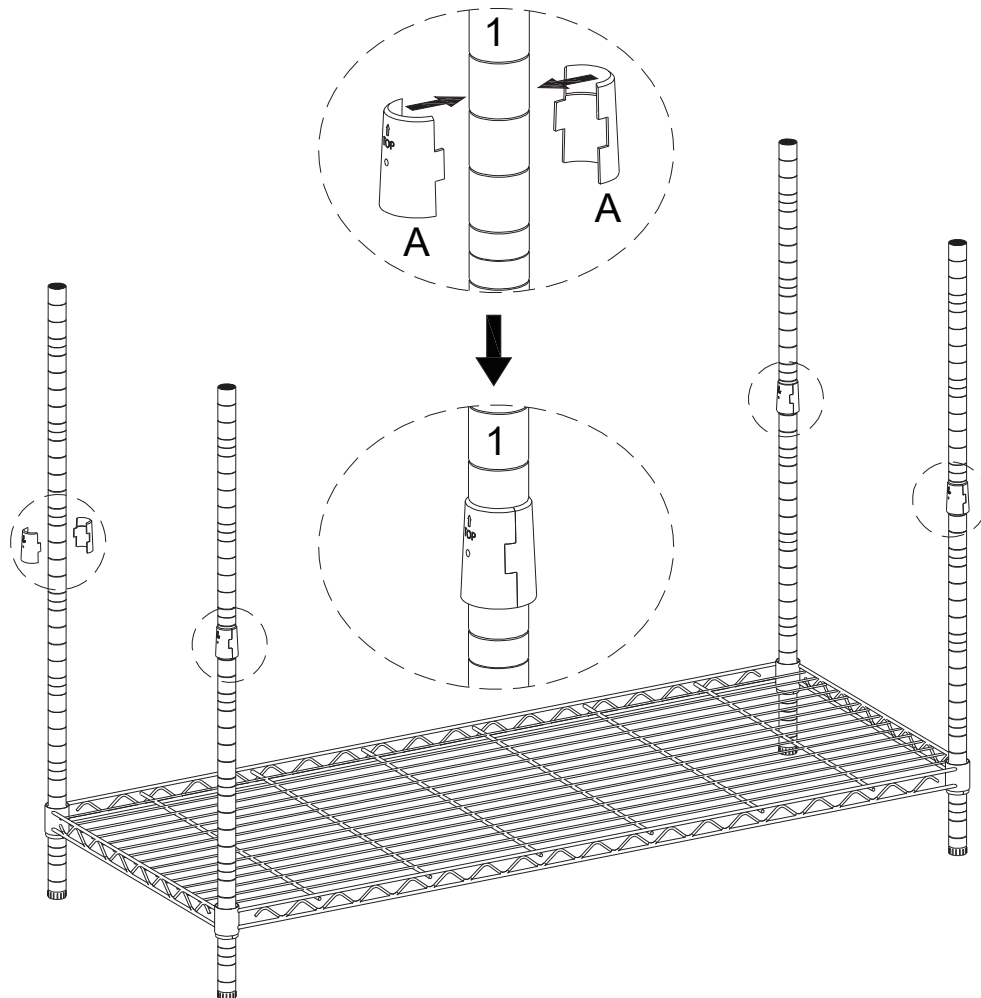
# Step 2



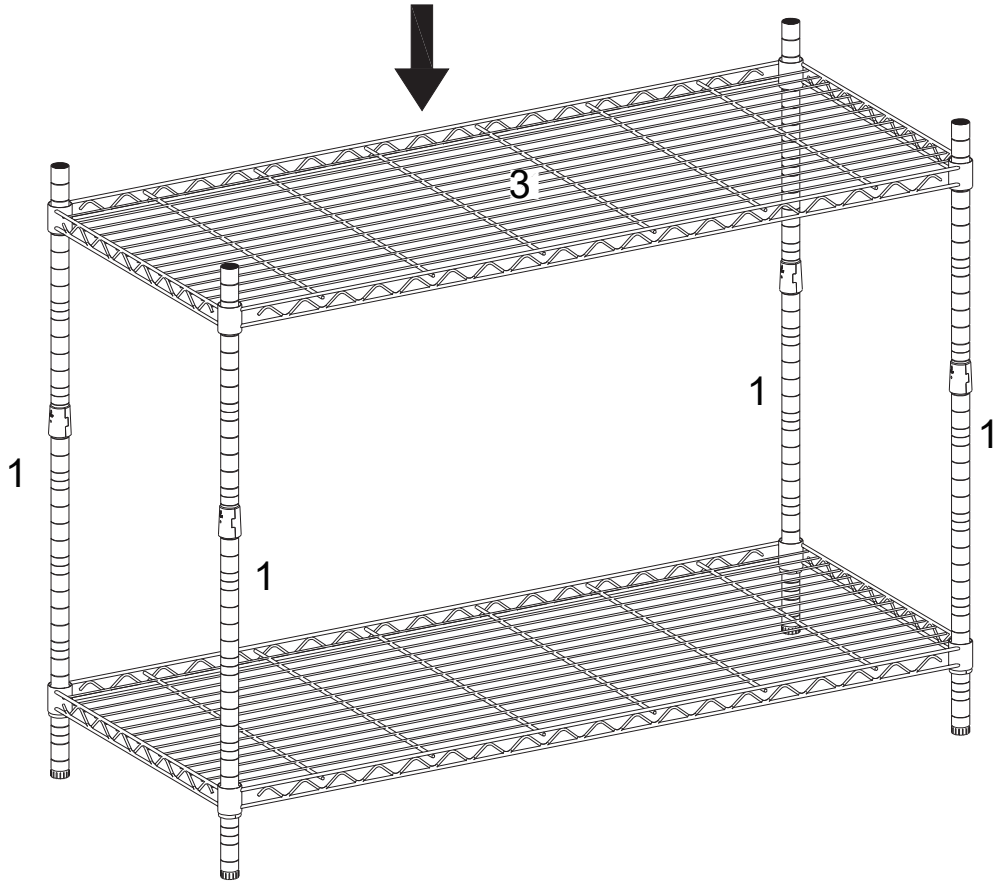
# Step 3



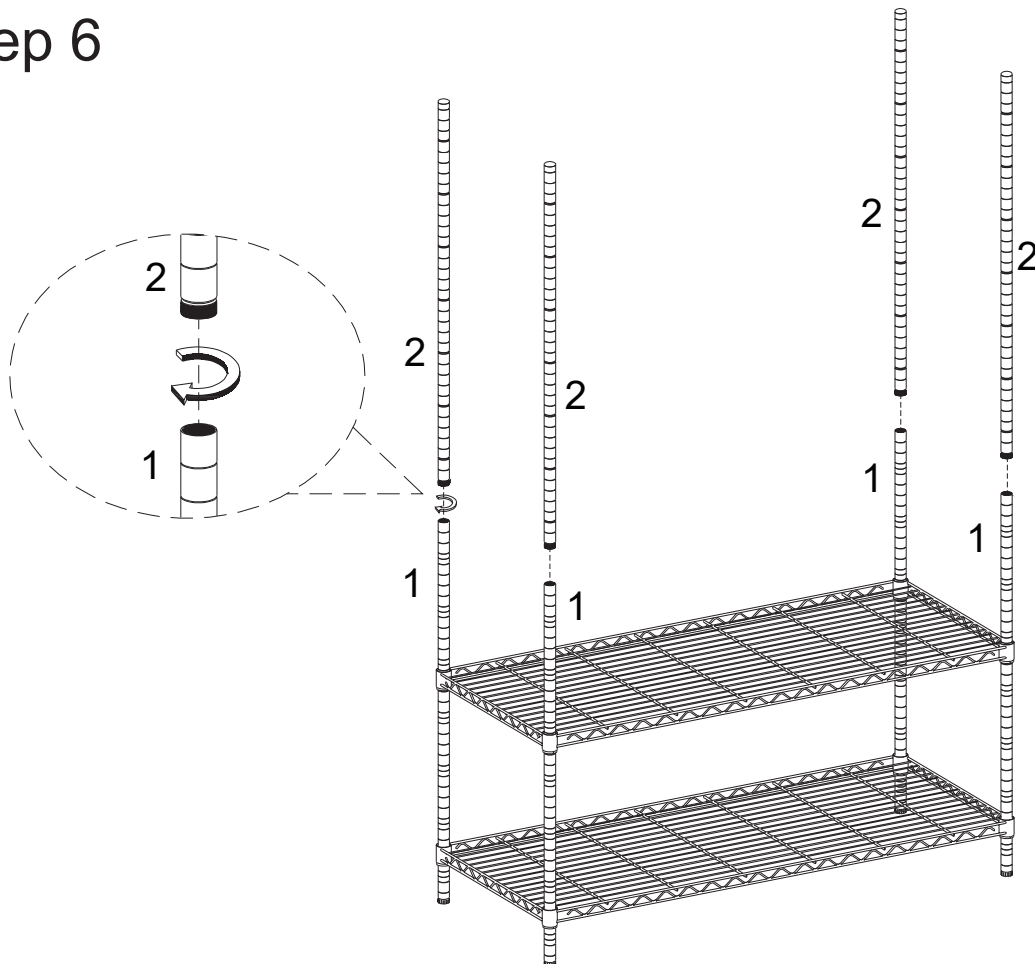
# Step 4



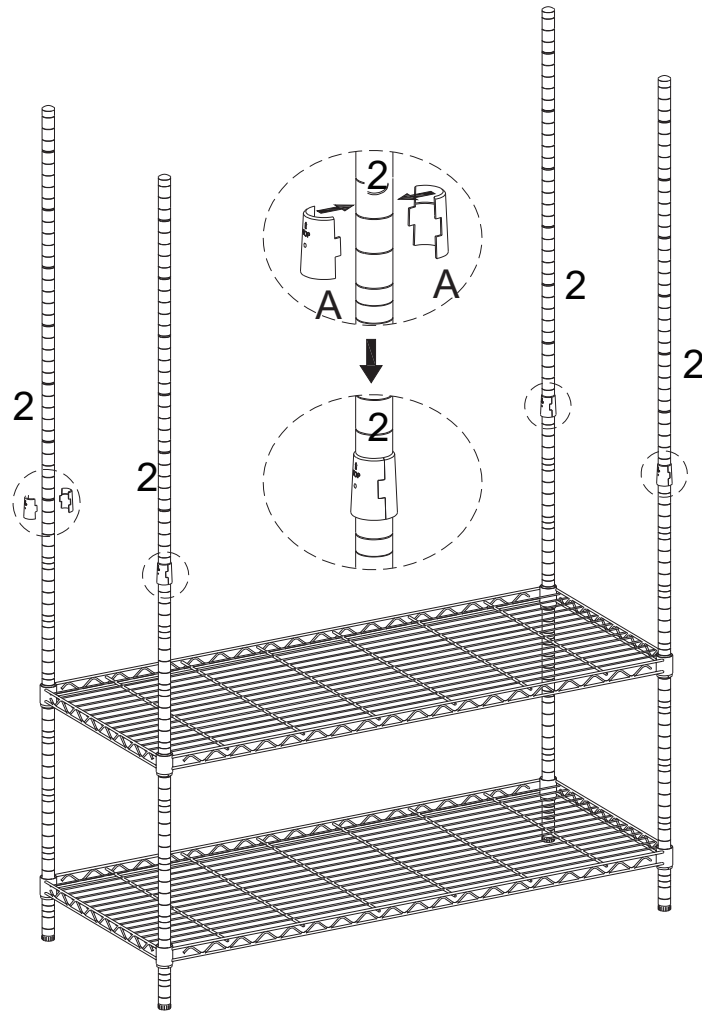
# Step 5



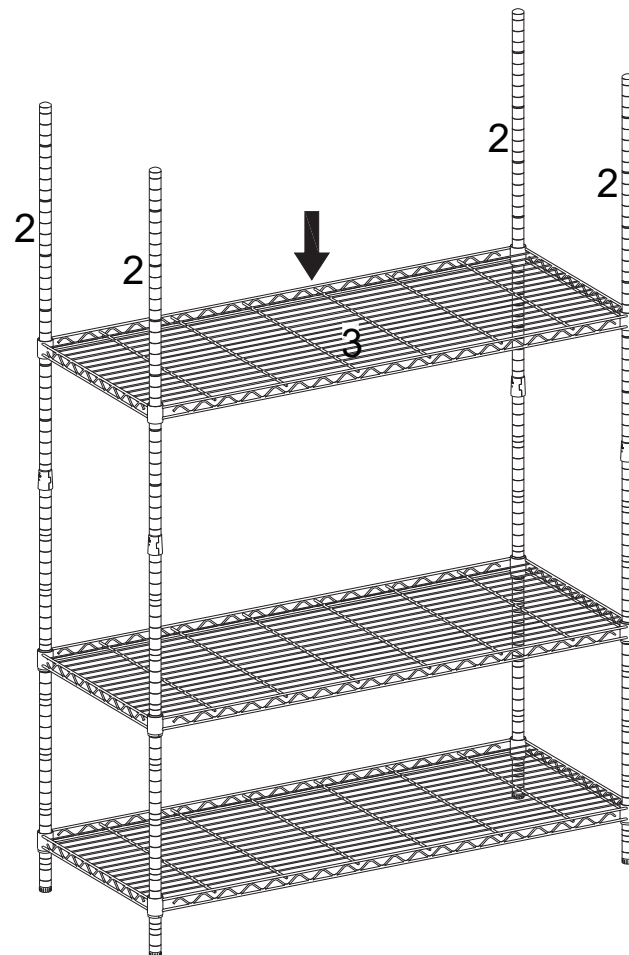
# Step 6



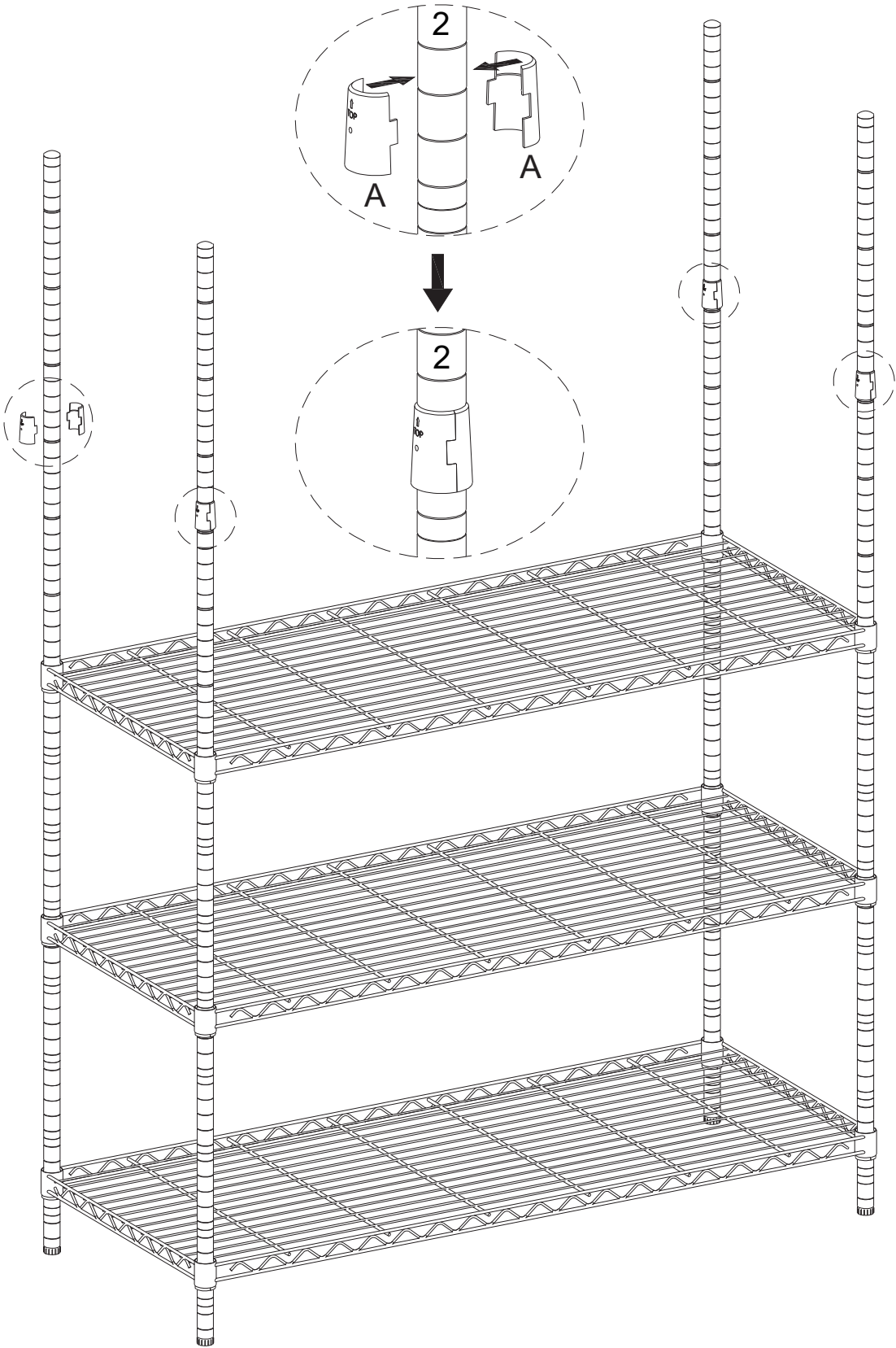
# Step 7



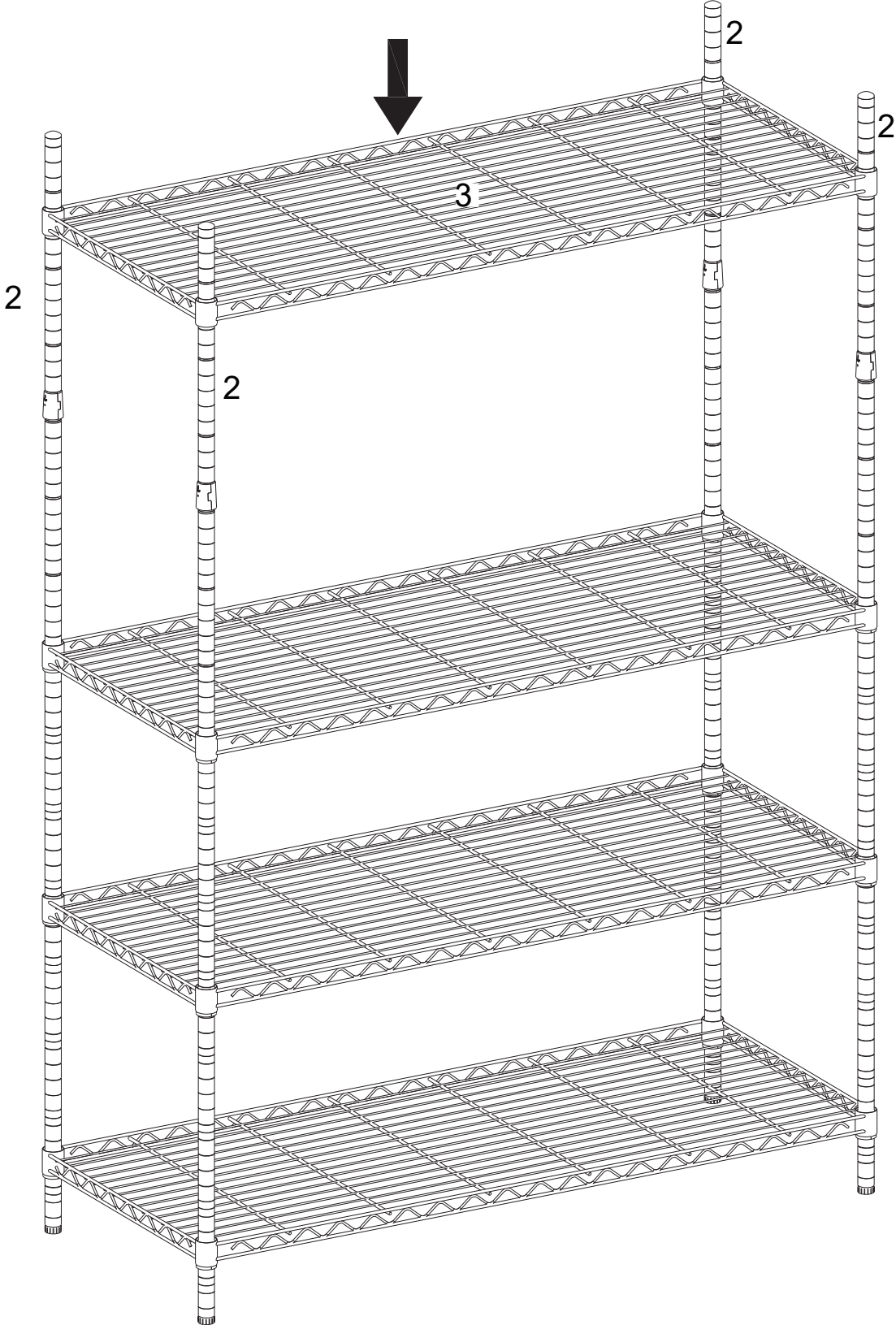
# Step 8



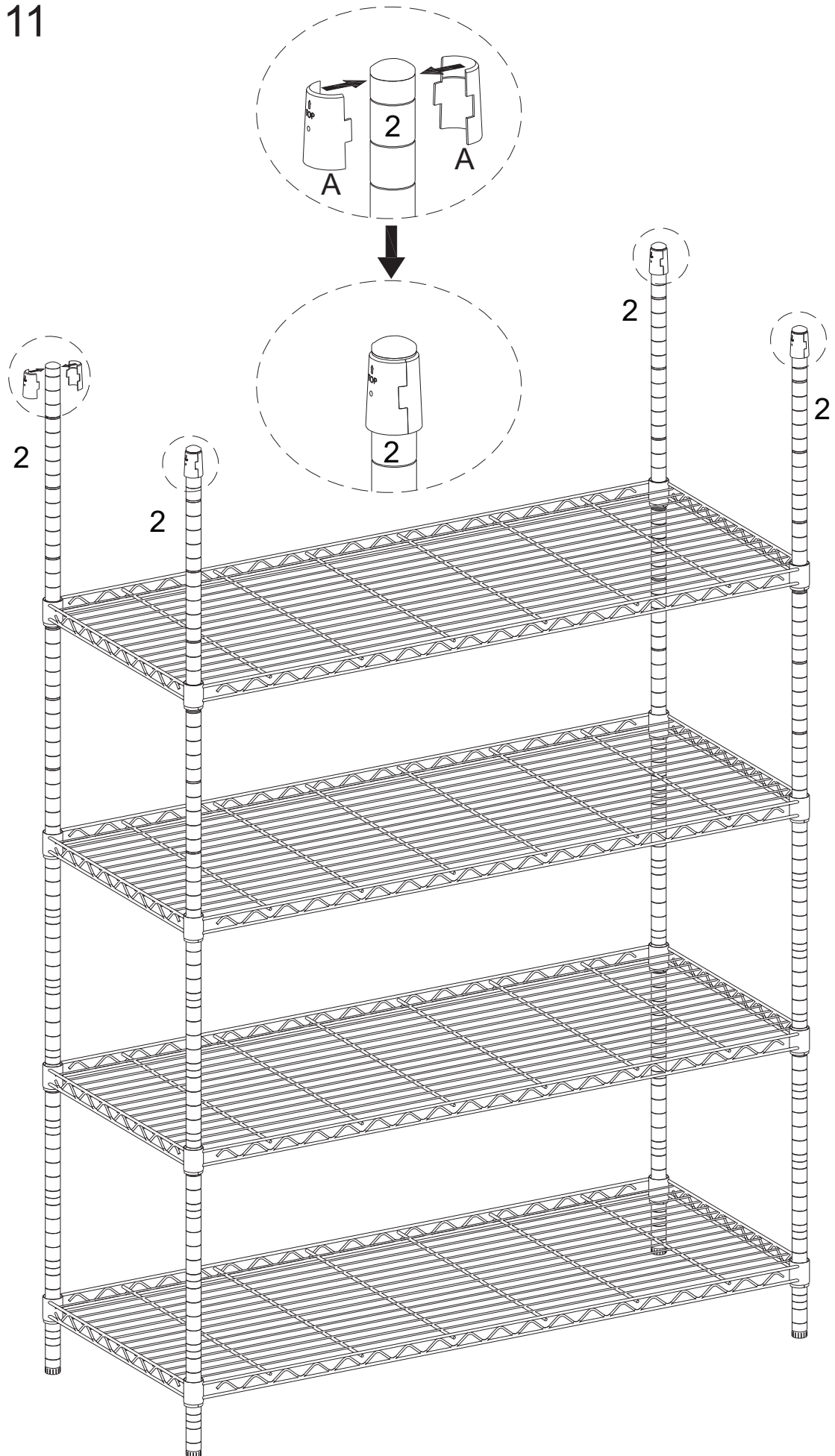
# Step 9



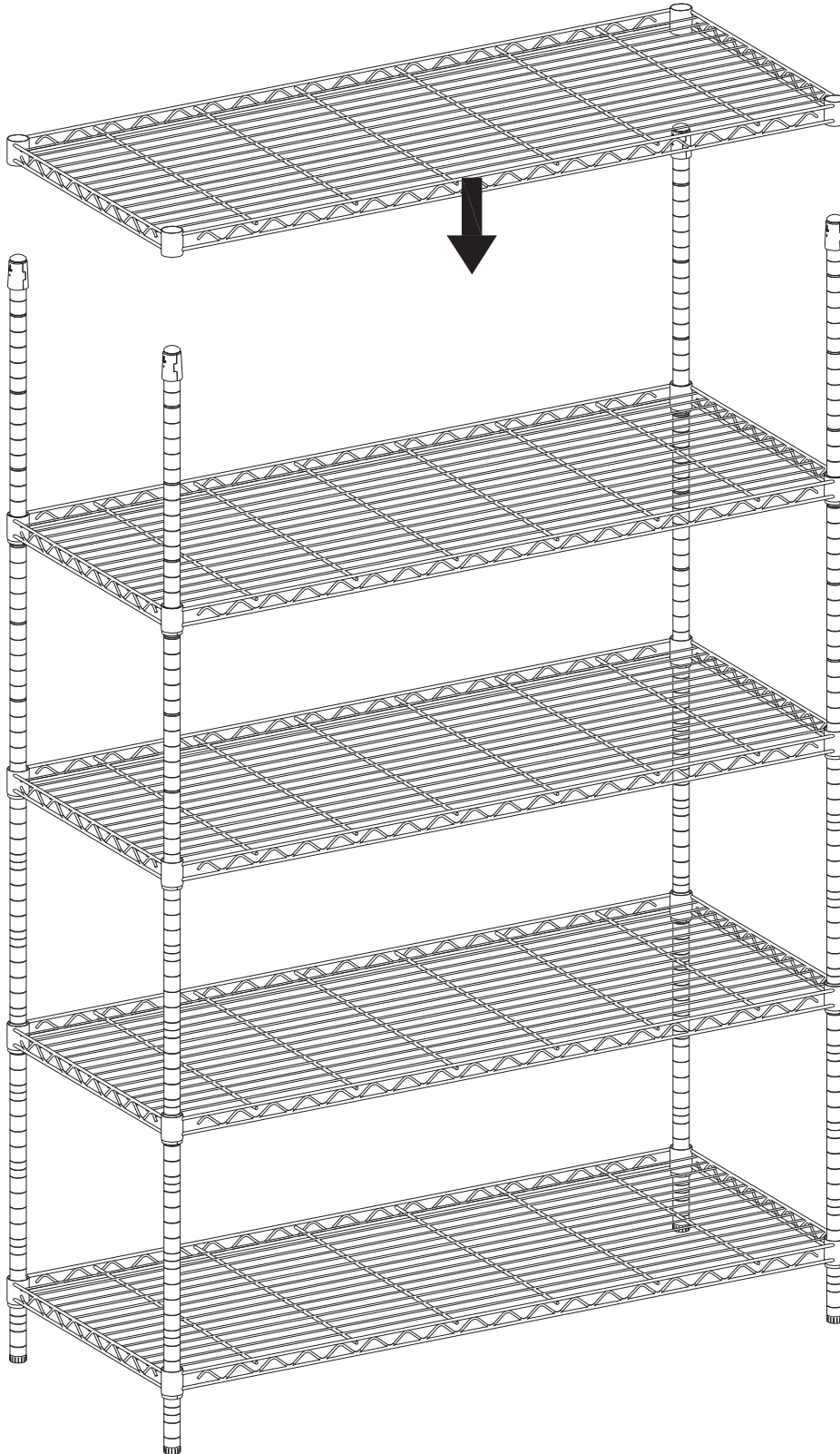
# Step 10



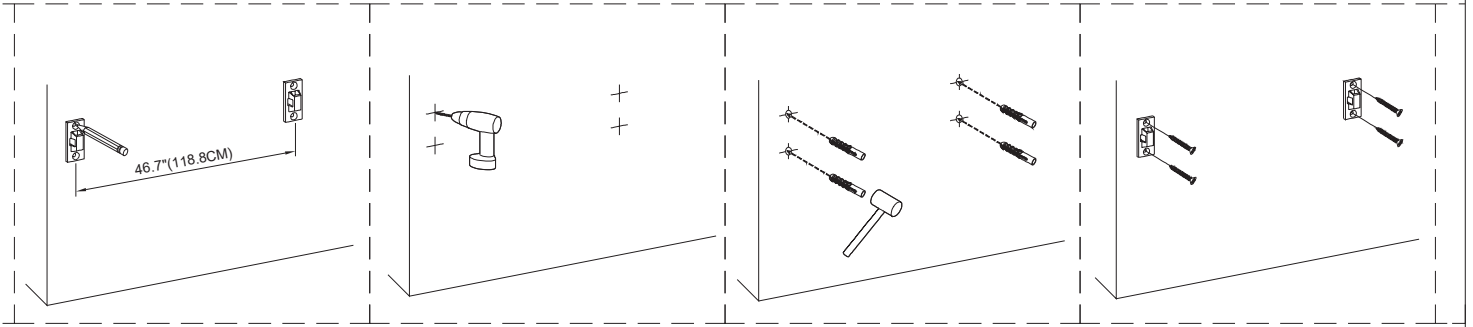
# Step 11



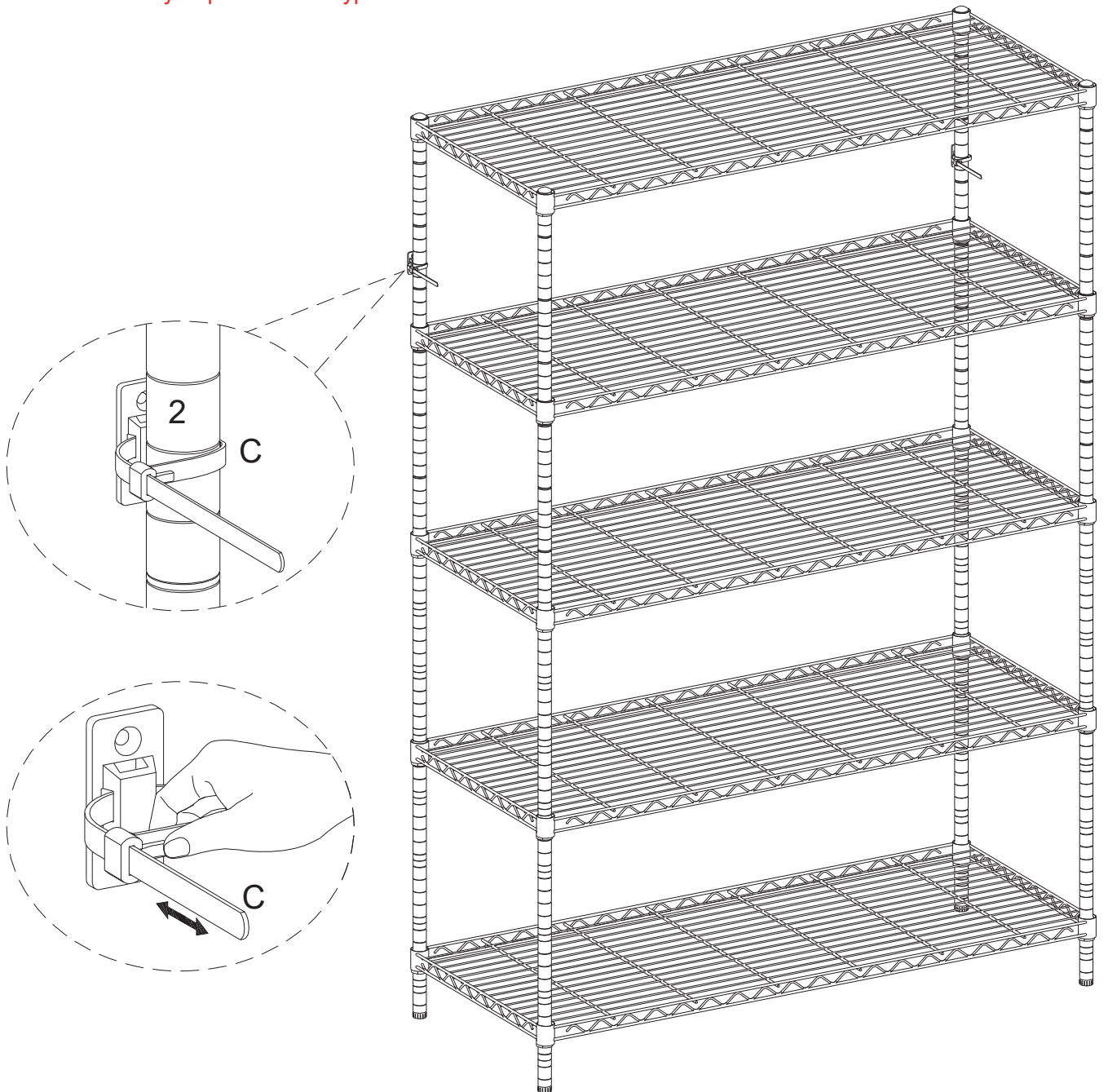
# Step 12



# Step 13



**WARNING:** Serious or fatal injuries can occur from furniture tipping over. To prevent the furniture from tipping over we recommend that it is permanently fixed to the wall. Wall anchor and hardware are included with this product. Please make sure hardware is suitable for your walls before installing, as different wall materials may require different types of anchors.



# AFTER-SALES SERVICE CARD

We sincerely thank you for trusting our service and our products, and may this product add enrichment to your home. We guarantee that the product has undergone strict quality inspection and meticulous packaging. If you encounter any issue regarding either shipping or the product, please feel free to contact us at any time. We'd be more than happy to serve you wholeheartedly.

Yours Sincerely

If you have any questions or concerns please feel free to contact us. We're committed to providing our customers with the quality service.