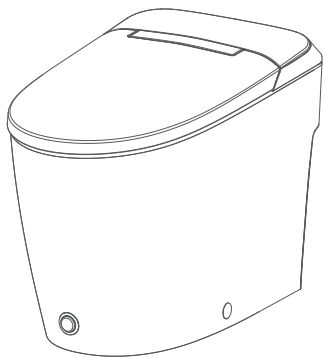


# **Casta Diva<sup>®</sup>**



## **USER MANUAL**

**Kylin Flat Toilet  
A00W1 SERIES**

Thank you for placing your confidence in us.

Thank you for buying our products. You can learn from this manual about installation steps before initial start-up.

We hope you can learn how to install the product through this manual.

Please follow the instructions in this manual carefully. Please keep the manual properly stored for future reference. Regarding future product updates, the product is subject to change without prior notice. Illustrations in this manual serve as visual demonstration.

In order to guarantee that the product will always function optimally, and to ensure your personal safety, please do the following:

**Read these operating instructions carefully before initial start-up and follow these instructions.**

# SAFETY

Before using the product, please read the following safety instructions carefully. Pay attention to the following safety warnings.

We will not be responsible for any loss due to violation of either requirement below.

- **Qualification of installation person: The product should be installed by a specially trained qualified plumber.**
- **Before installing the product, please read the safety instructions right below and those in other parts of this manual. Please install the product as instructed in this manual. We will not be responsible for any adverse consequence due to a change of the installation method.**

## SYMBOLS DESCRIPTION

Symbol Description



Inspect visually



Inspect tightness

Symbol Description



Caution! A low risk possibly causing a light injury.



Kind reminder

## CAUTION!

Please avoid faults or damage of the product due to misoperation.

- Do not use industrial water, circulating water, sea water or waste water as the water source of the product. Please use a water source meeting the hygiene requirements for domestic drinking water.
- When installing the product, please abide by all the local regulations on water supply and drainage, and buildings to avoid safety hazards.
- When using the product, make sure the water supply pressure and the water supply flow are 0.1MPa to 0.86MPa (15PSI to 125PSI) and equal to or more than 9L/min(2.4gal/min), respectively, to ensure thorough flushing.
- Make sure that the water temperature is 4°C to 35°C (39.2°F to 95°F) and that the bathroom temperature is above 4°C (39.2°F).
- Do not bend, squeeze or wind the water supply pipe excessively.
- Do not use benzene, paint thinner, cleaning powder or nylon brush but a thinned neutral detergent to clean the product.
- Do not use an old hose repeatedly. Please use the new hose provided with the product.
- Do not strike the ceramic violently.
- Do not put the product upside down.
- Before installation, water-proof treatment should be done for the bathroom's floor and walls.
- To avoid product surface scratches, please remove the electrostatic film on the product after its installation.

# SAFETY

## CAUTION!

---

Please avoid faults or damage of the product due to misoperation.

- The product is made of ceramic. Handle it gently in installation. Do not fix the ceramic with cement, otherwise the product will tend to get damaged; do not lock the nuts too tightly, otherwise the product may get damaged or crack.
- After installation, do a water supply test first.
- Leaning on the top cover when using the product may damage it.
- When moving or installing the product, hold its body with hands. If only its top cover and seat are held, they may separate from the body and cause injuries.
- Keep the product from direct sunlight to avoid its discoloration.
- Do not put any article tending to make the product clogged, such as newspaper, paper diaper or sanitary pad, into the product.

## KIND REMINDER!

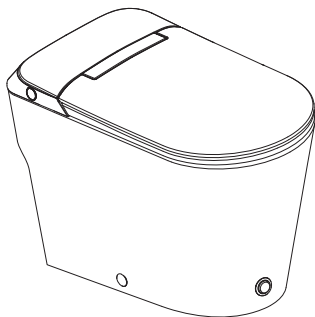
---

- The product has taken a water supply test before delivery. Therefore, it is normal that a few water drops flow out of it when it is being taken out of the packing box.

# INTRODUCTION

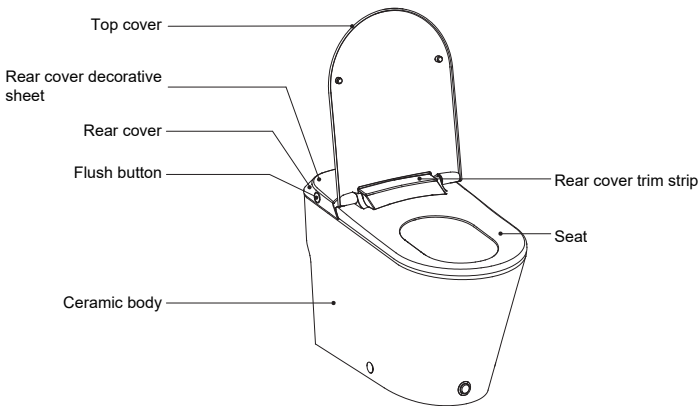
## OVERVIEW

---



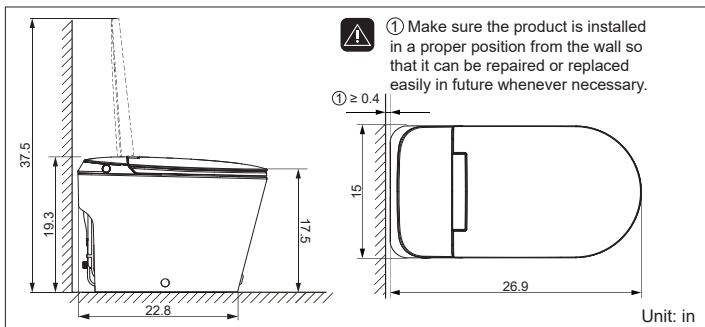
## MAIN

---

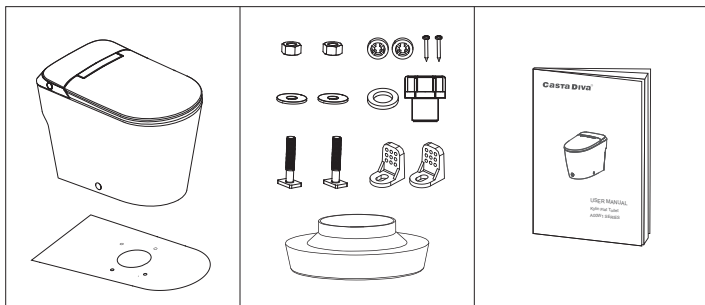


# PRE-INSTALLATION CONFIRMATION

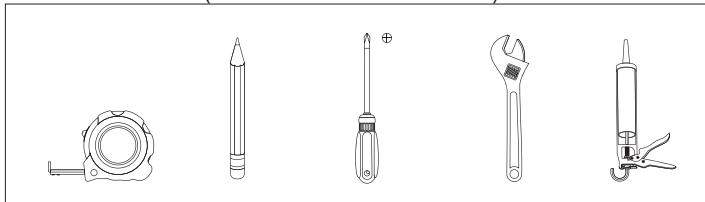
## ■ DIMENSION



## ■ STANDARD DELIVERY CONTENTS



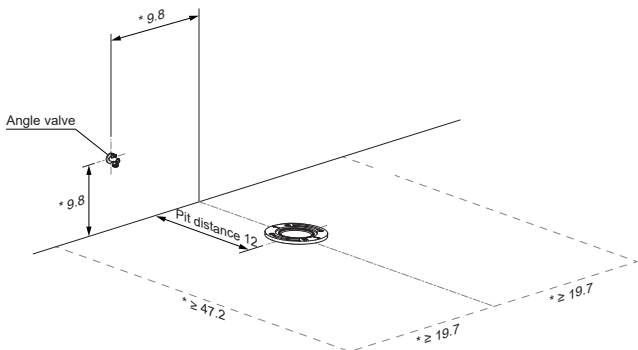
## ■ TOOLS NEEDED (PROVIDED BY CUSTOMER)



# INSTALLATION

## ■ INSTALL PREPARATIONS

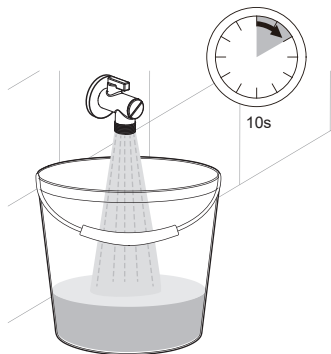
1. Make sure that the floor tiles and the wall tiles have been paved, and that a pit tube and a water supply pipe are reserved.
2. Reserve the installation position according to the dimensions given in the figure below (symbols \* refer to the recommended dimensions) to ensure normal use of the water supply pipe.
3. Make sure the distance between center of the pit tube and the wall, i.e., the pit distance, matches with the product.
4. Turn on the water supply switch to drain water to flush away the mud and other foreign matters in the reserved water pipes to avoid blockage of the water pipes.



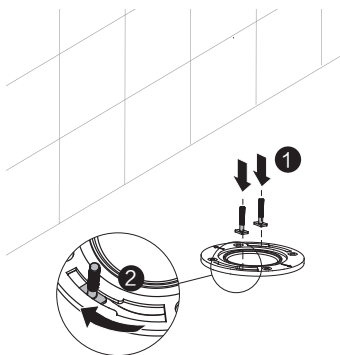
Unit: in

# INSTALLATION

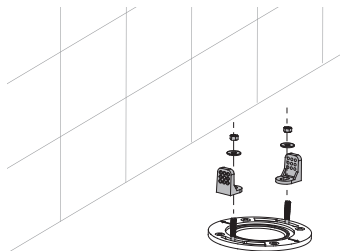
1



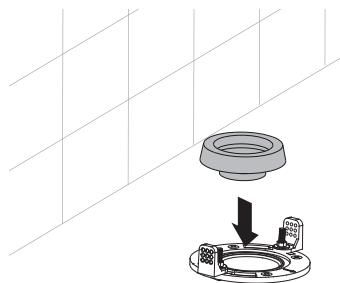
2



3

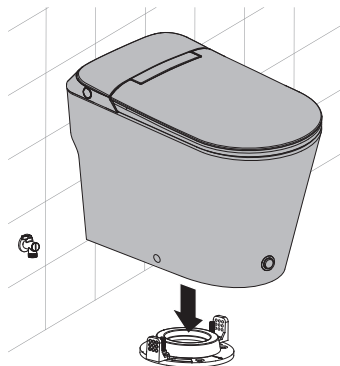


4

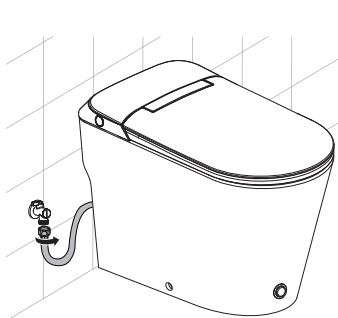


# INSTALLATION

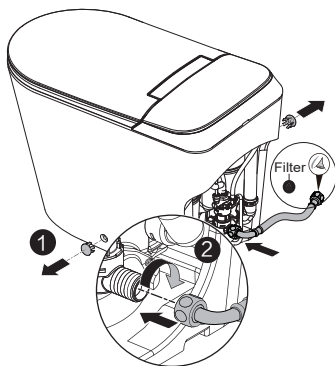
5



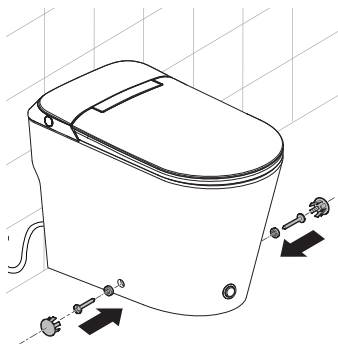
7



6

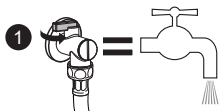


8



# TEST

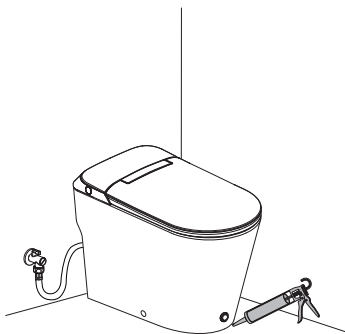
1



2



2







After installation, make the product stand for 24h before use.

# OPERATION

## OPERATION KNOB

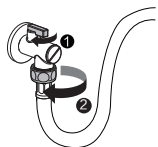
---

Function	Symbol	Operation	Remarks
Flushing		Press the flush button  .	/
		Kick the flush button  on the product body.	/

# CLEAN & MAINTENANCE

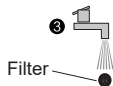
## FILTER CLEANING

---



The filter needs to be cleaned at regular intervals. If the product fails in water supply, has a water supply pressure smaller than ordinary time or cannot work normally, please clean the filter first.

**!** In cleaning, make sure the water supply switch is off; after cleaning, mount the filter back and inspect and make sure there's no water leakage.



## SURFACE CLEANING

---

Use a smooth sponge or a piece of soft cloth dipped with a proper amount of room temperature water or neutral detergent and then wrung out to wipe the product surface. When cleaning any other part of the product, lift the top cover and the seat. Do not lay down the top cover or the seat until the detergent in the product has been completely flushed away, otherwise the evaporated detergent may corrode the product surface.

## WINTERIZATION

---

When in use, make sure the indoor temperature is not below 4°C (39.2°F). When the indoor temperature is below 4°C (39.2°F), stop using the product and operate as below.

- Turn off the angle valve to stop water supply. After that, drain the water in the tank to flush the product once.

**!** If the product is maintained before drainage, the product may damage and leak. If the product is moved from a cold place to a warm place, the water in it will condensate. In this case, make the product stand for a couple of hours before use.

# TROUBLESHOOTING

## ■ TROUBLESHOOTING

If it is believed in that the product has a fault, eliminate the fault as below. If the product cannot work normally after that, please contact the local repair center or reach us through our service hotline.

Fault phenomenon	Cause analysis	Solution
Water leakage	Loose hose connector	Turn off the water supply switch and check whether the connector between it (or the product) and the hose is tightened.
Flushing failure	Abnormal water supply	Check whether the water supply switch is on and whether the filter is blocked.
Insufficient flushing force	Too low water supply pressure	Please make sure the water supply pressure is above 15PSI.
	Insufficient water in the tank	Please make sure the interval between each twice flushing is longer than 60s.

## TECHNICAL SPECIFICATION

---

Item	Description
Model	A00W1 SERIES
Flushing capacity	3.8Lpf(1.0gpf)
Applicable water supply pressure (static pressure)	0.1MPa ~ 0.86MPa (15PSI ~ 125PSI)
Water supply temperature	4°C ~ 35°C (39.2°F ~ 95°F)
Ambient temperature	4°C ~ 40°C (39.2°F ~ 104°F)
Dimensions	26.9 x 15 x 19.3in (length x width x height)