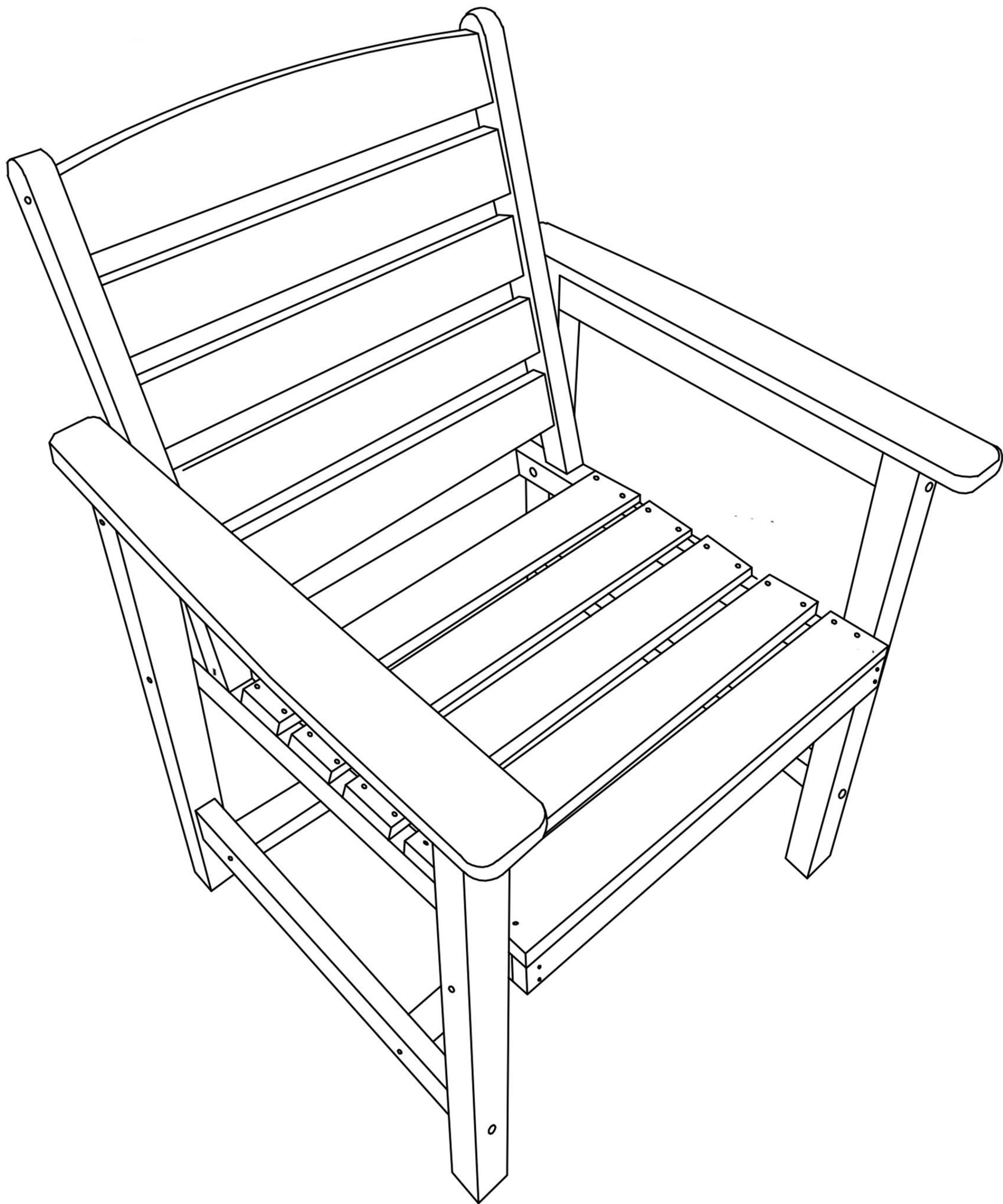


USER'S MANUAL

Product Name: **Patio Dining Chair**



THIS INSTRUCTION BOOKLET CONTAINS **IMPORTANT SAFETY INFORMATION**.

PLEASE READ AND KEEP FOR FUTURE REFERENCE.

Contact Us

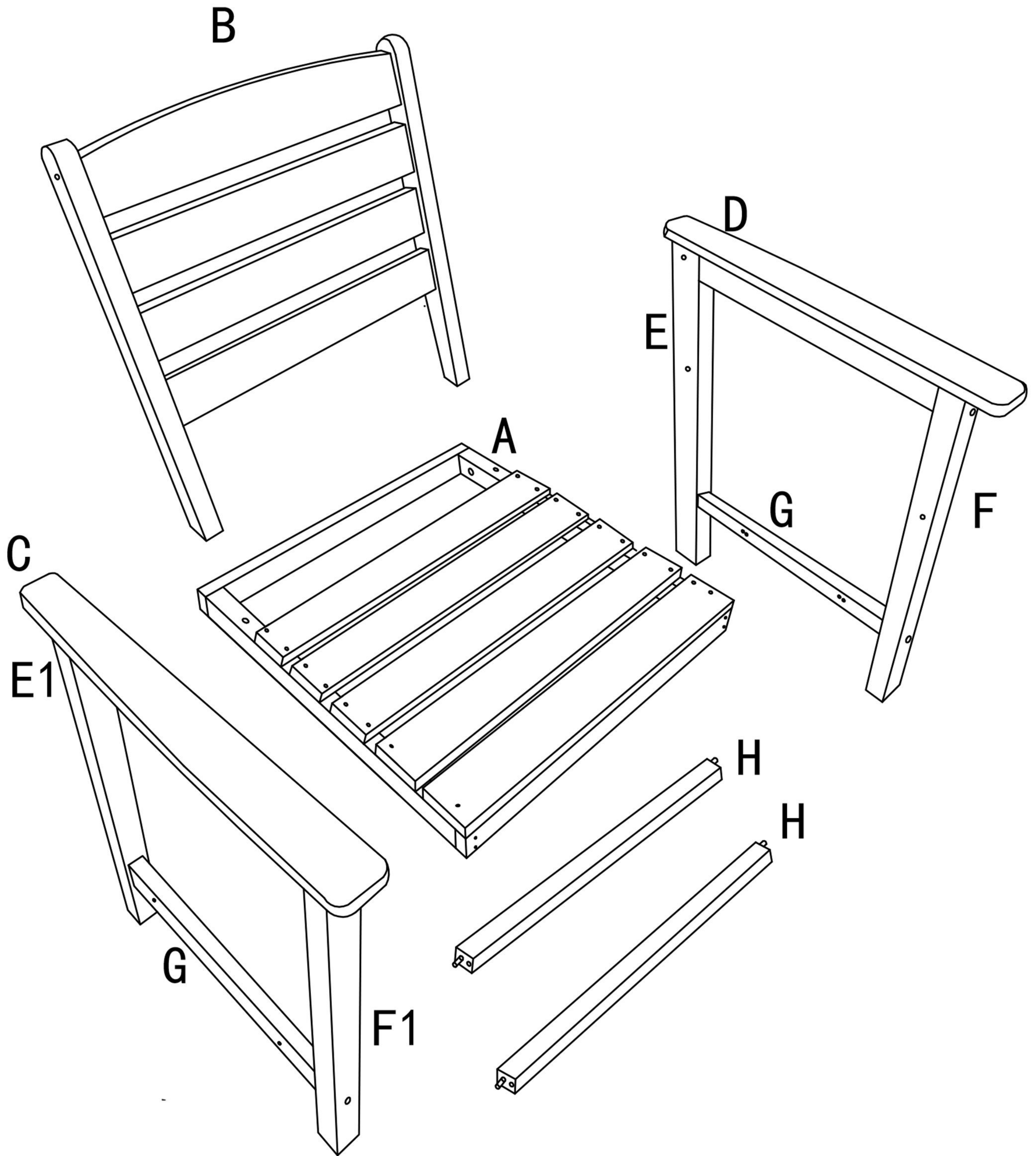
If you have any problem, please give us a chance to make it right for you!

Contact our friendly customer service department for help first. Replacements for missing or damaged parts will be shipped ASAP!

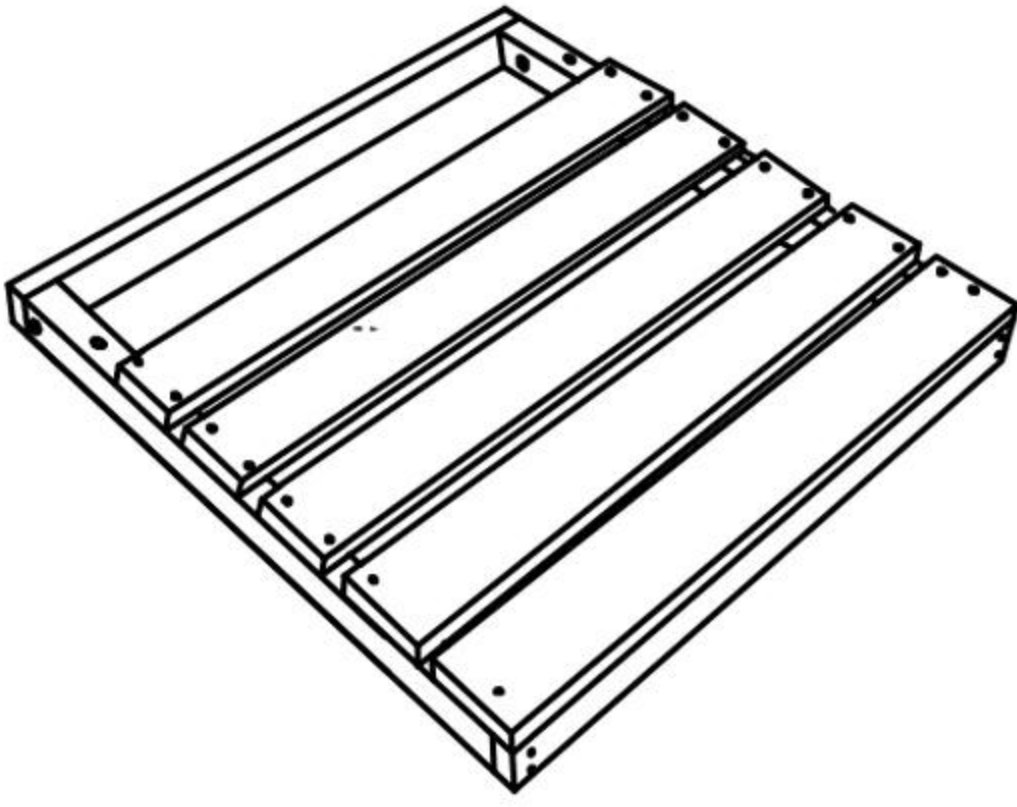
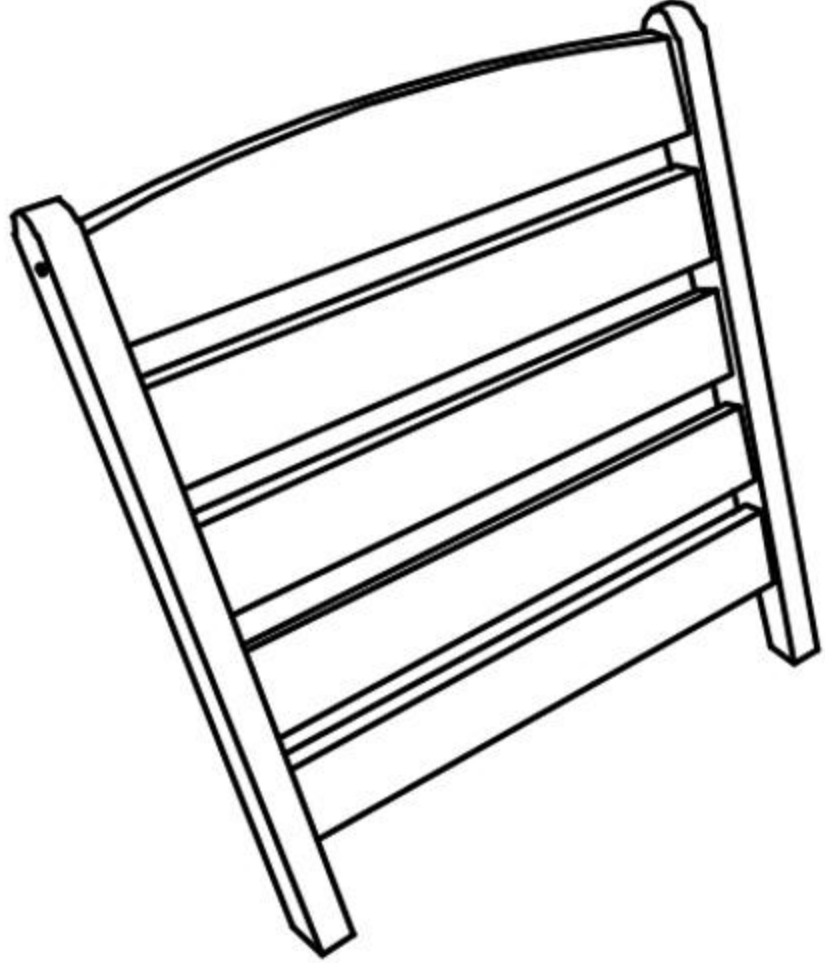
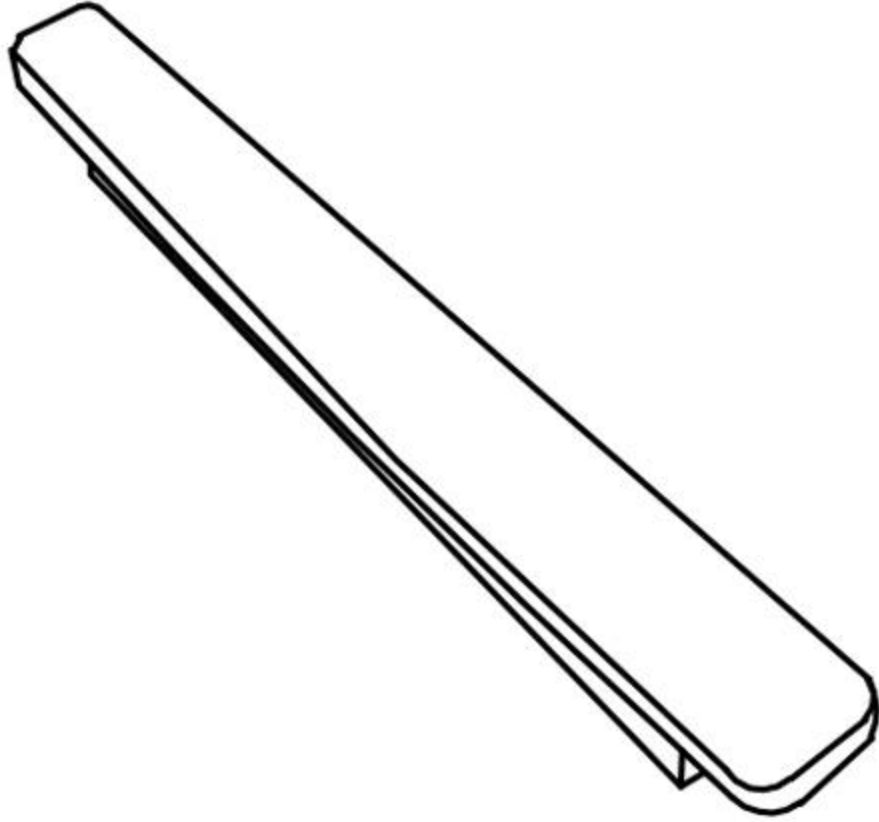
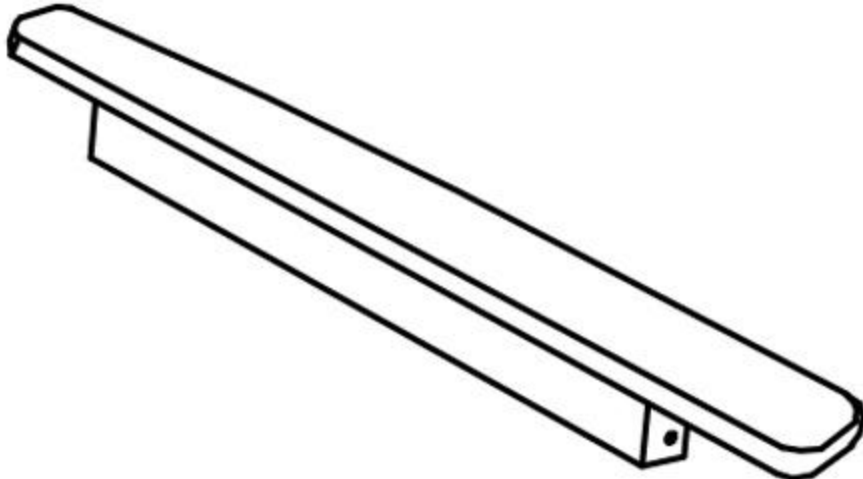
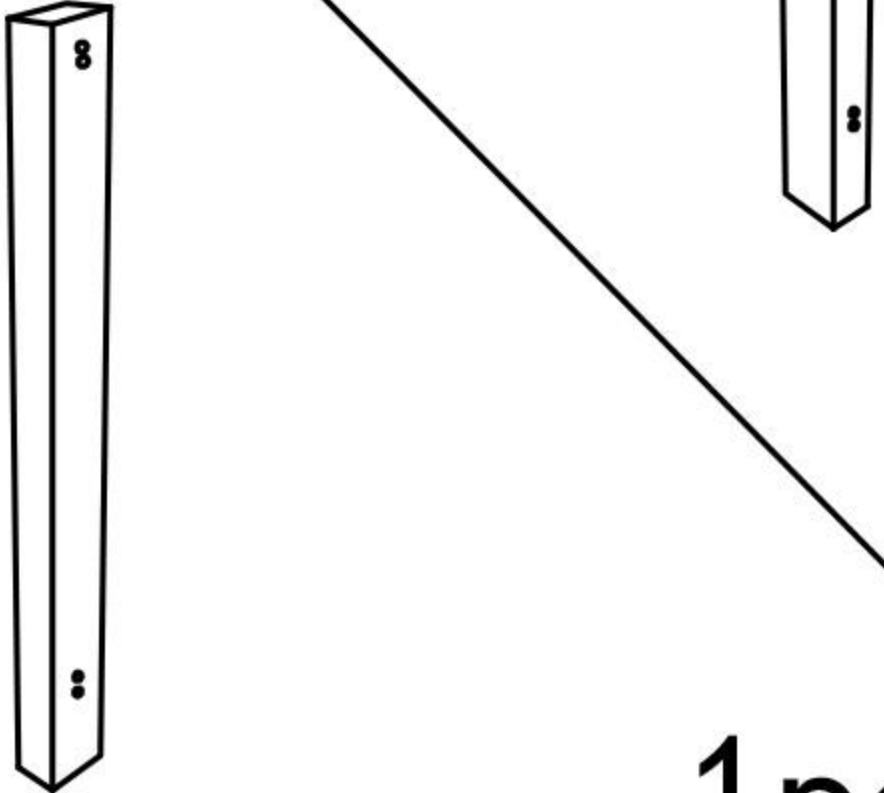
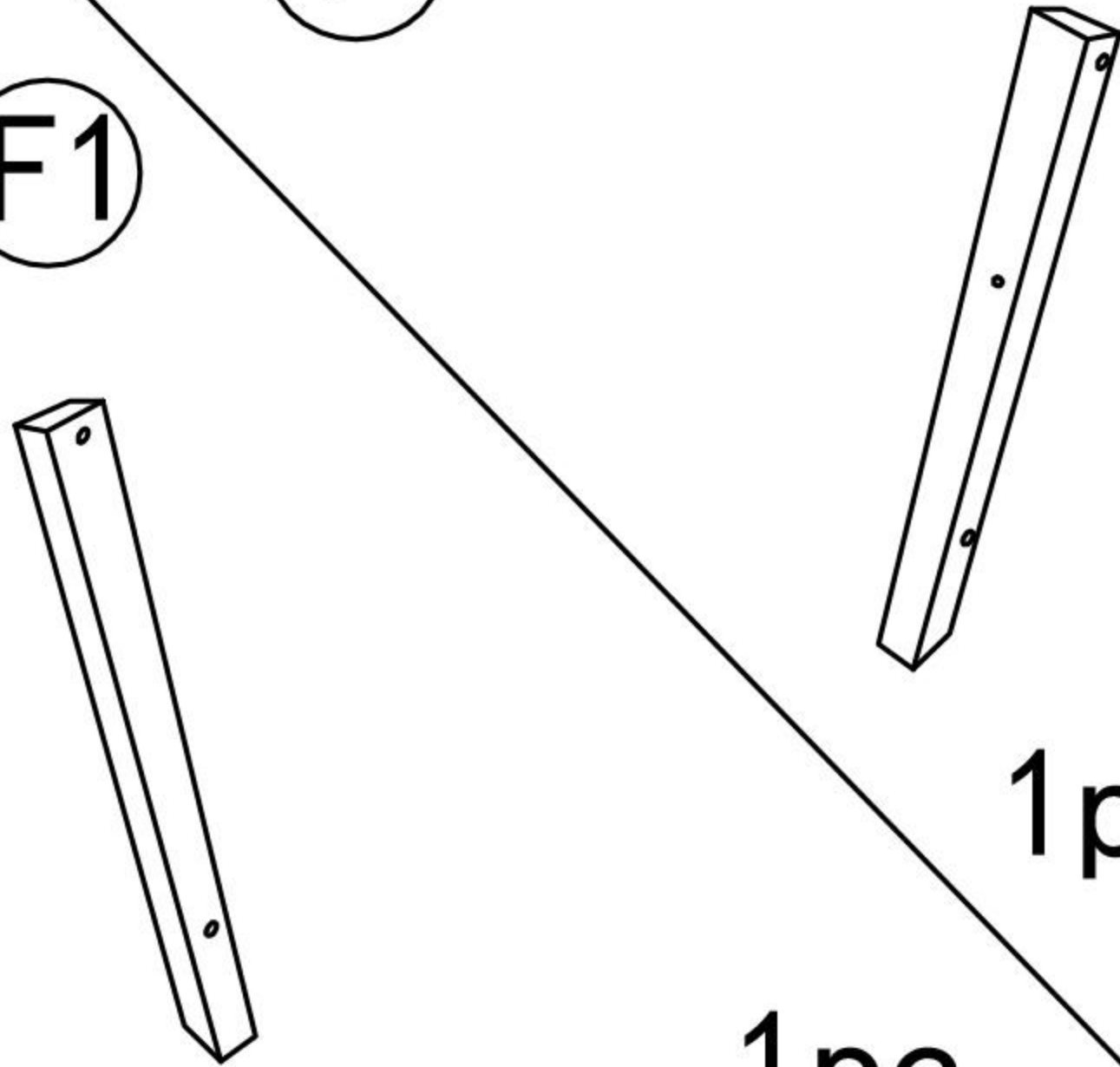
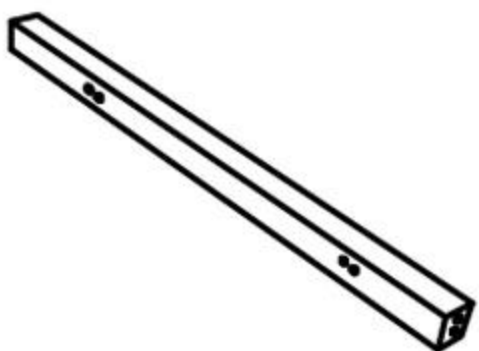
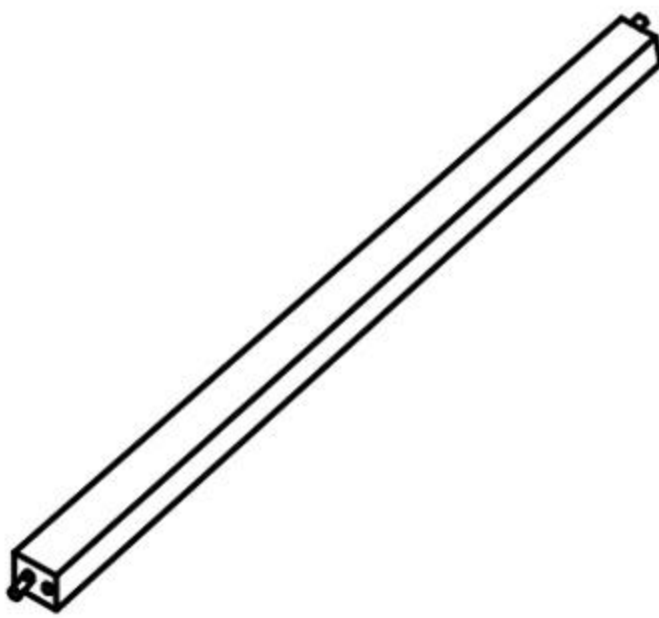

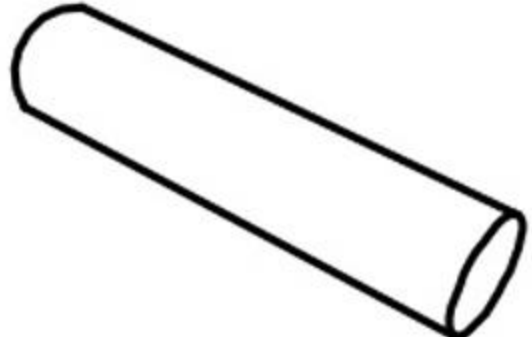
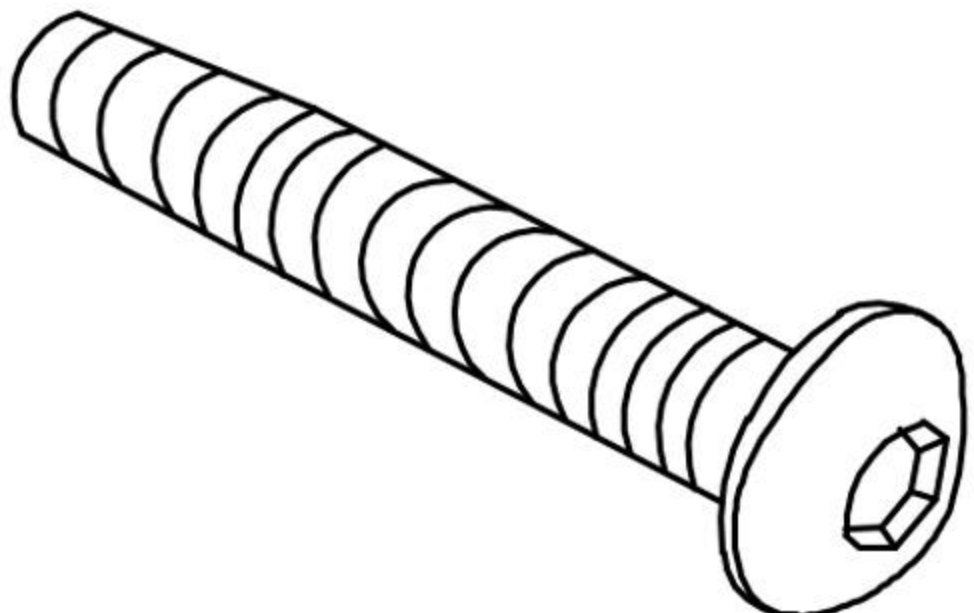
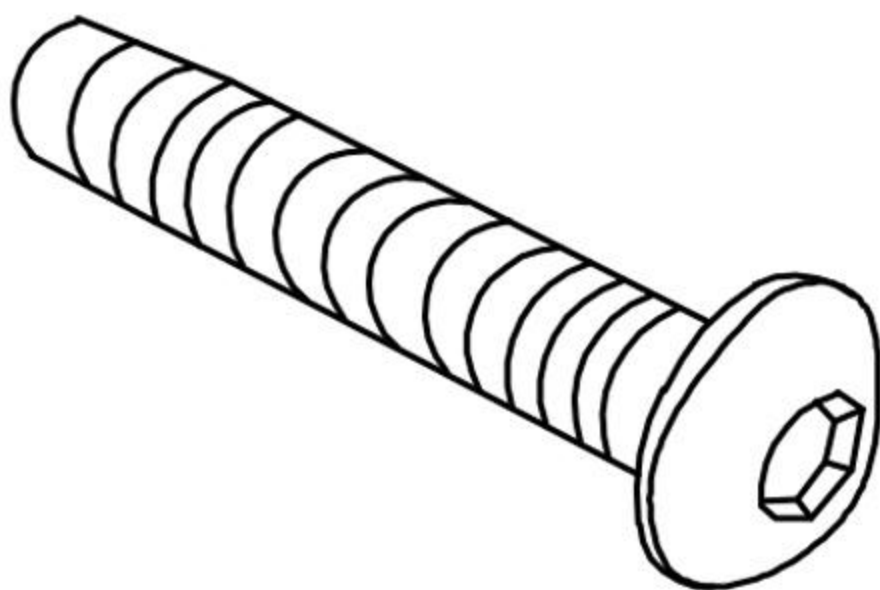

Before You Start

- Please read all instructions carefully.
- Retain instructions for future reference.
- Separate and count all parts and hardware.
- Read through each step carefully and follow the proper order.
- We recommend that, where possible, all items are assembled near to the area in which they will be placed in use, to avoid moving the product unnecessarily once assembled.
- Always place the product on a flat, steady and stable surface.
- Keep all small parts and packaging materials for this product away from babies and children.

KNOW YOUR PARTS

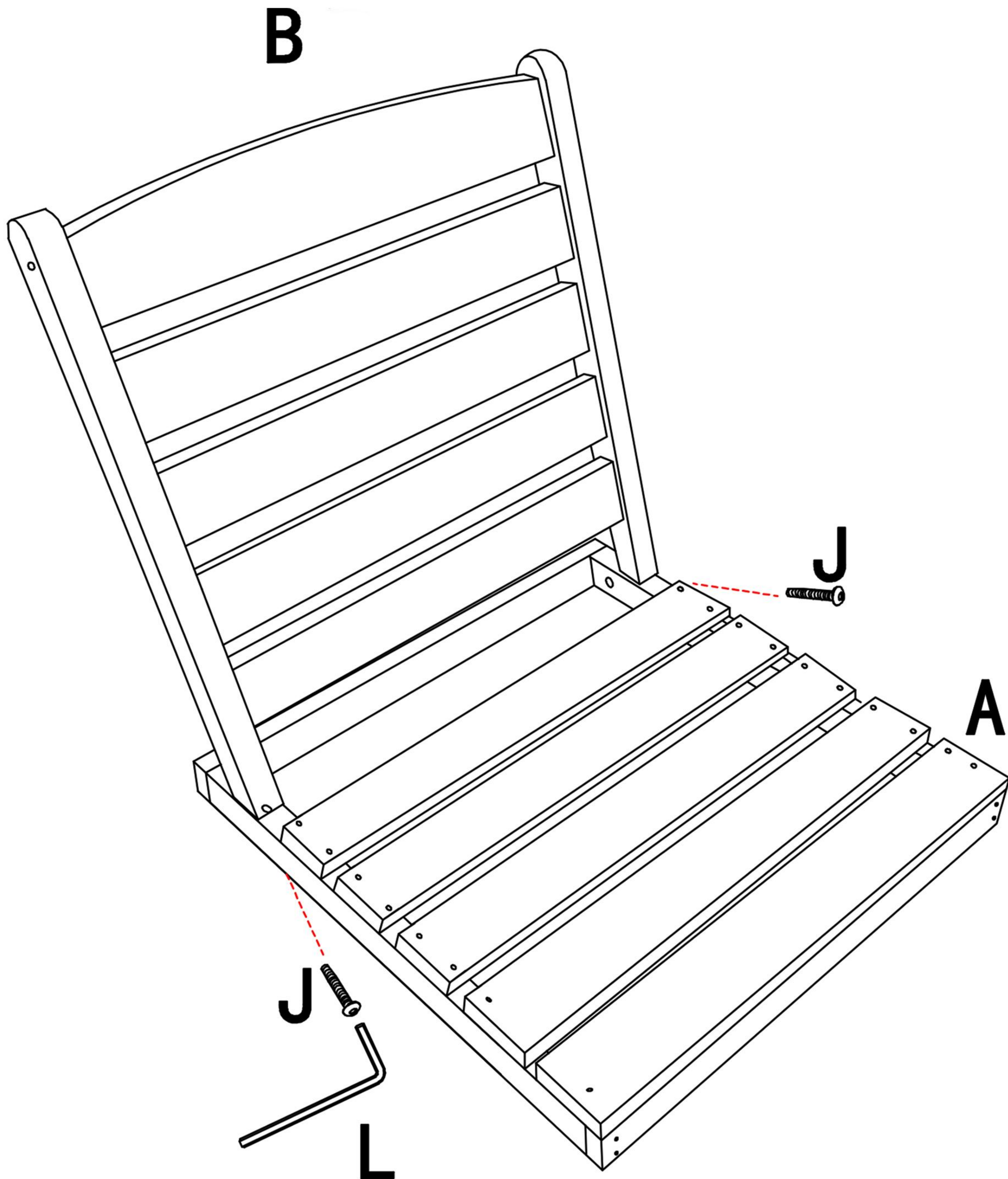
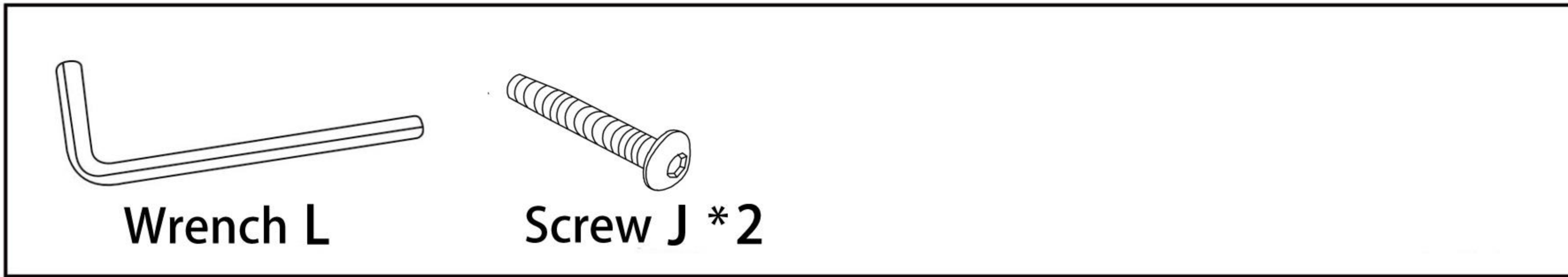


KNOW YOUR PARTS

<p>A</p>  <p>1pc</p>	<p>B</p>  <p>1pc</p>	<p>C</p>  <p>1pc</p>
<p>D</p>  <p>1pc</p>	<p>E</p> <p>E1</p>  <p>1pc</p> <p>1pc</p>	<p>F</p> <p>F1</p>  <p>1pc</p> <p>1pc</p>
<p>G</p>  <p>2pc</p>	<p>H</p>  <p>2pc</p>	<p>I</p>  <p>M6*65 12pc</p> <p>R</p>  <p>12pc</p>
<p>J</p>  <p>M6*60</p> <p>2pc</p>	<p>K</p>  <p>M6*40</p> <p>6pc</p>	<p>L</p>  <p>L=1</p>

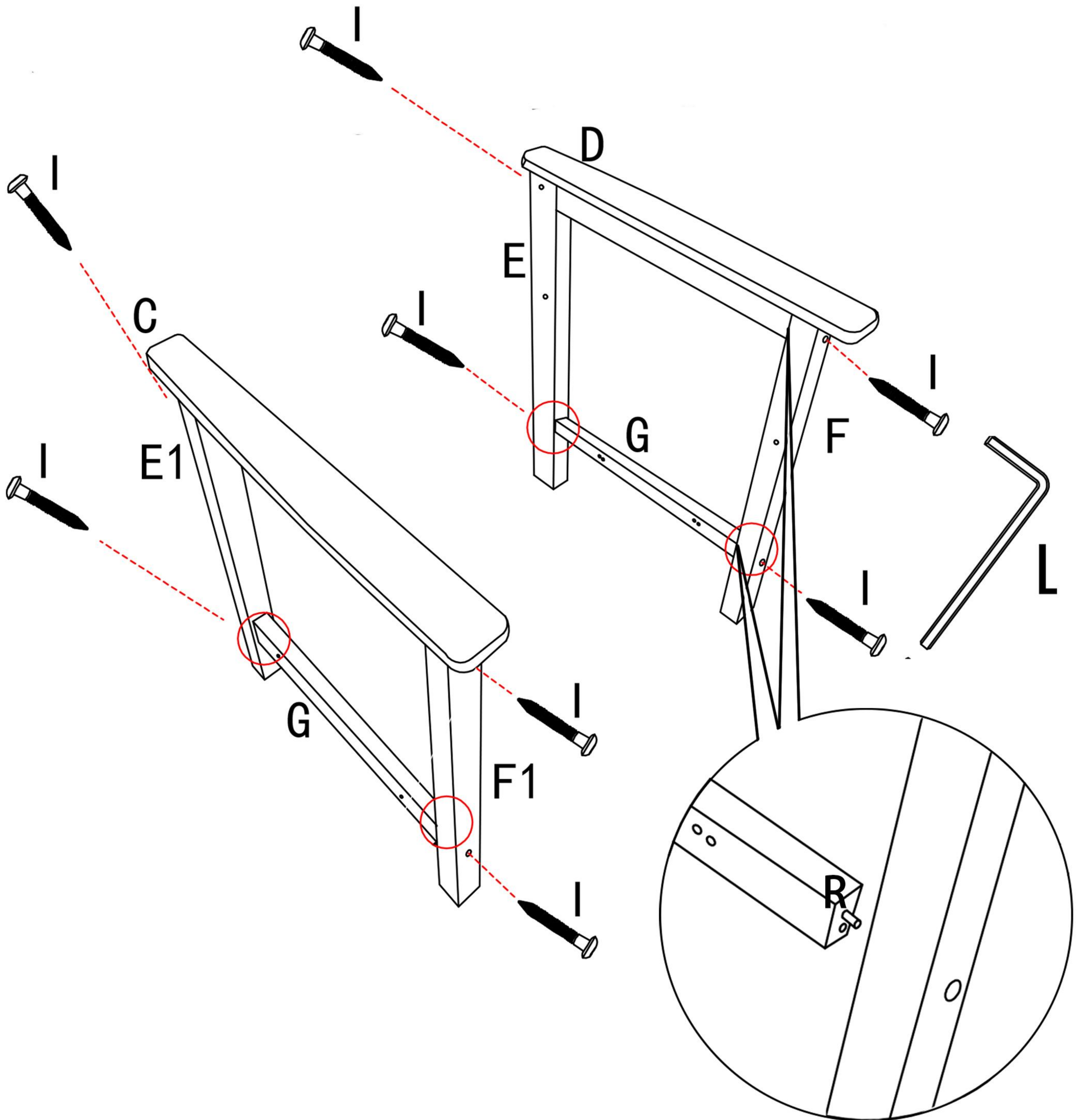
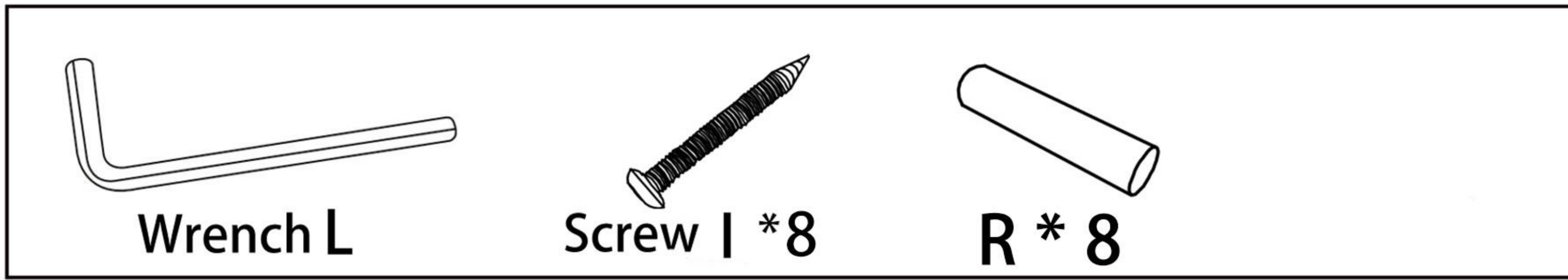
Step 1:

Take out Chair seat Part A x 1 , Back Panel Part B x 1
Install them with Screw J x 2



Step 2:

Take out Part Cx1,Part Dx1,Part Ex2,Part Fx2,Part Gx2
Install Chair Leg with Screw I x 8 R x 4



Step 3:

Connet Chair Seat Part & Back Panel Part with Chair Leg (Assemble in Step 1 & 2), Use Screw K x 6

