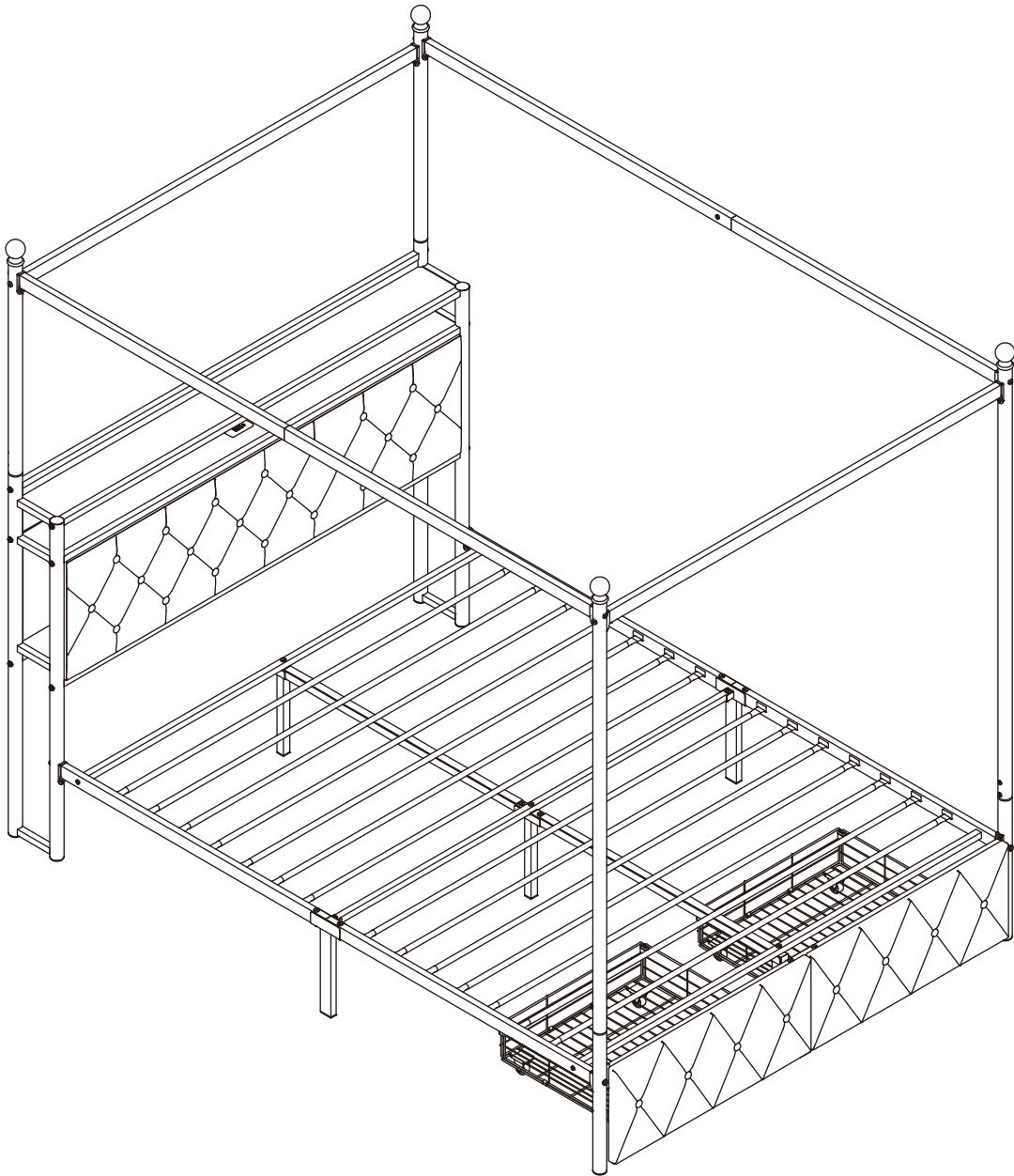


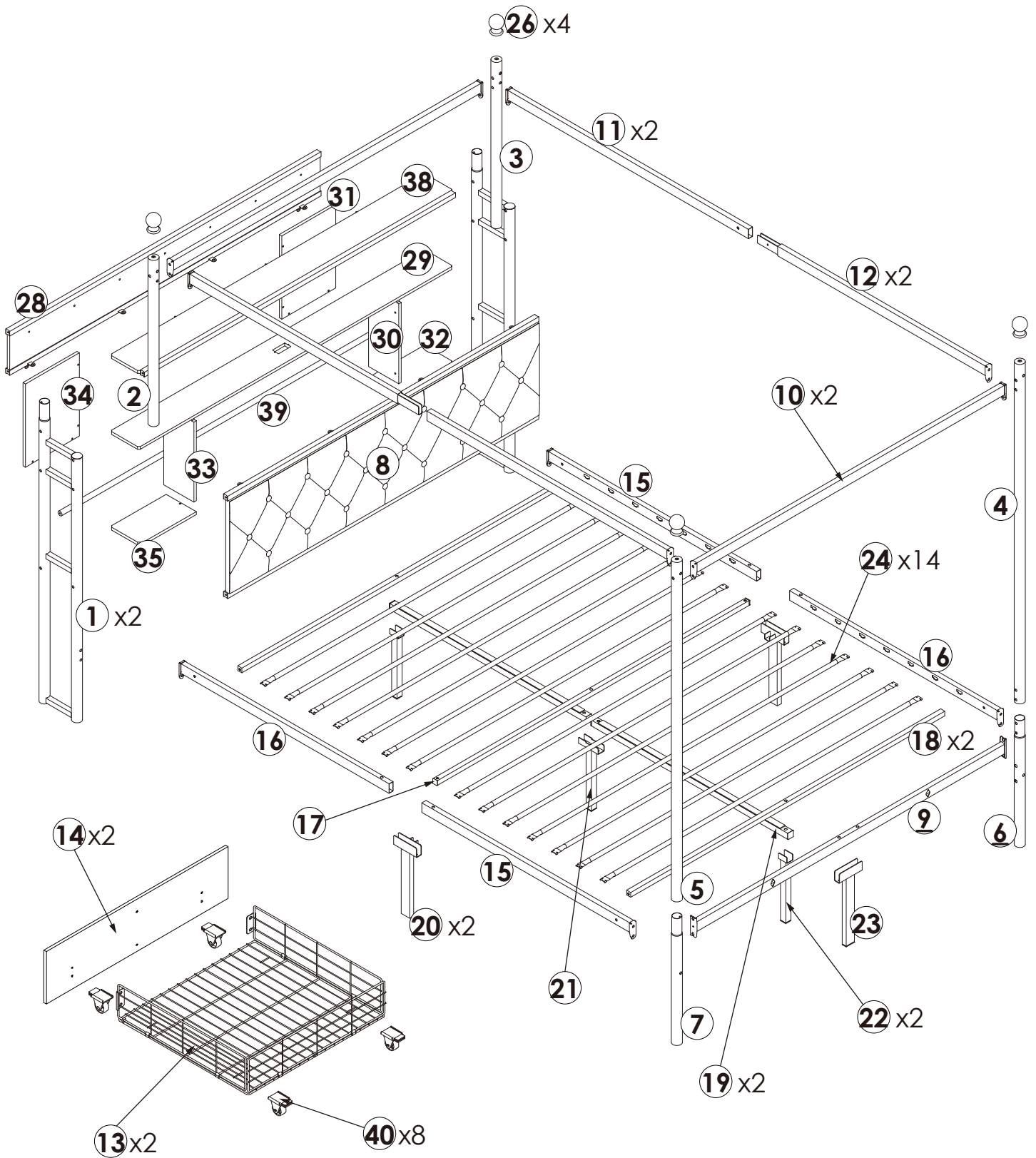
# User's Manual

---

## Bed Frame

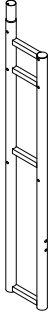
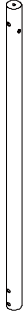



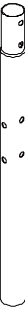
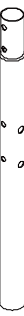
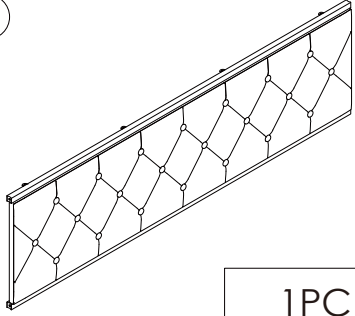
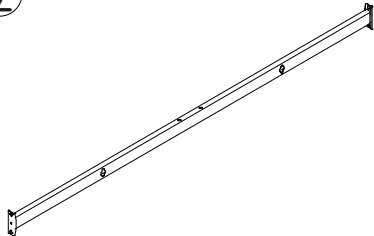
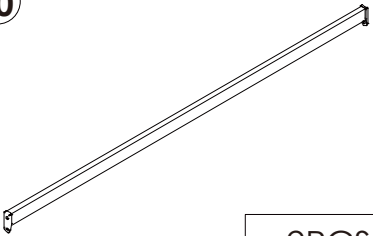
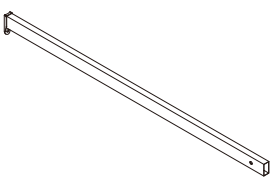
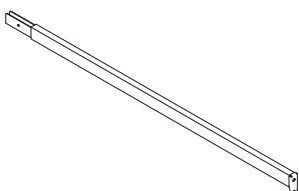
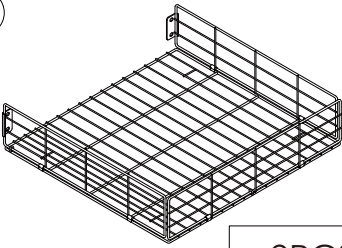
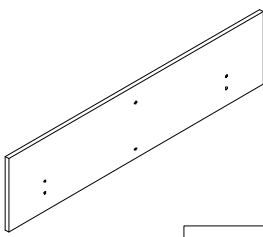
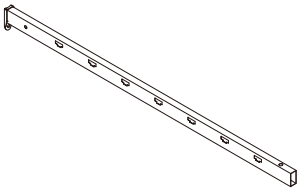
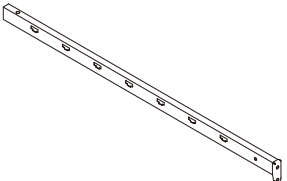
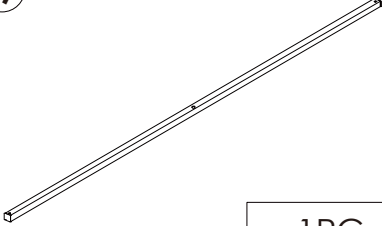
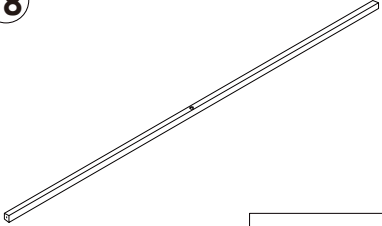


## Parts list

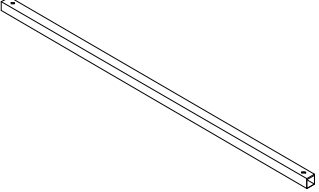
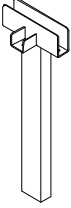
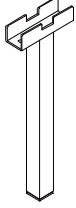

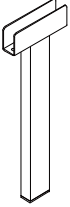
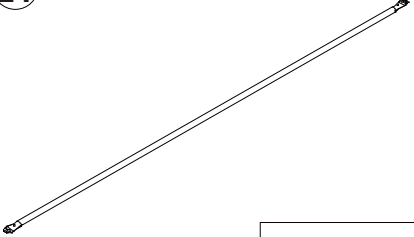
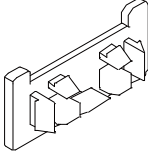
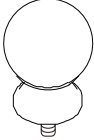
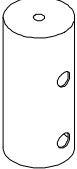
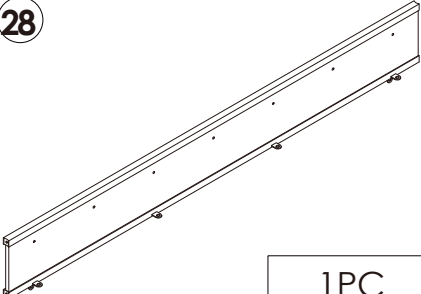
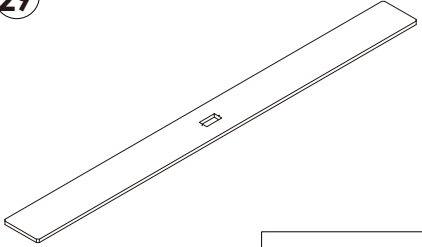


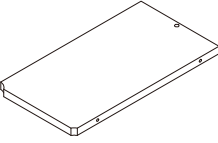

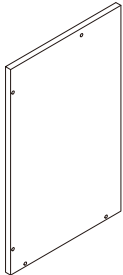
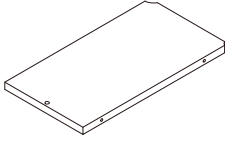
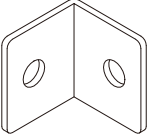


Please keep all parts in a safe place in case they will be needed when assembling or disassembling the canopy.

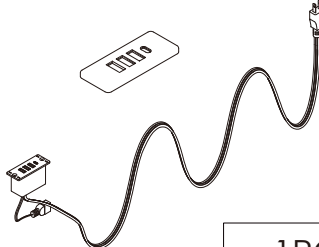
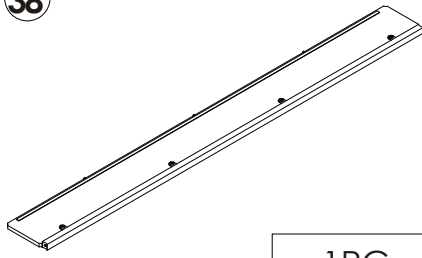
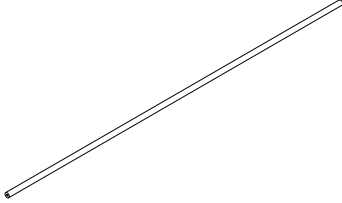
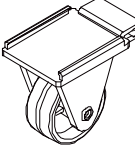
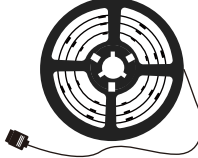
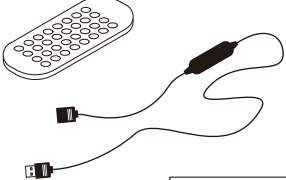
# Parts list

|  |  |  |
|--|--|--|
| <p>①</p>  <p>2PCS</p>   | <p>②</p>  <p>1PC</p>    | <p>③</p>  <p>1PC</p>    |
| <p>④</p>  <p>1PC</p>    | <p>⑤</p>  <p>1PC</p>    | <p>⑥</p>  <p>1PC</p>    |
| <p>⑦</p>  <p>1PC</p>   | <p>⑧</p>  <p>1PC</p>   | <p>⑨</p>  <p>1PC</p>   |
| <p>⑩</p>  <p>2PCS</p> | <p>⑪</p>  <p>2PCS</p> | <p>⑫</p>  <p>2PCS</p> |
| <p>⑬</p>  <p>2PCS</p> | <p>⑭</p>  <p>2PCS</p> | <p>⑮</p>  <p>2PCS</p> |
| <p>⑯</p>  <p>2PCS</p> | <p>⑰</p>  <p>1PC</p>  | <p>⑱</p>  <p>2PCS</p> |



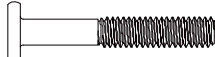
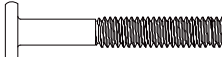
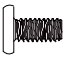
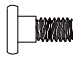
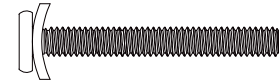


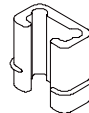
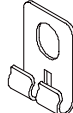
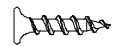
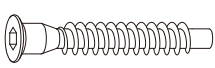




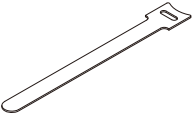
# Parts list

|   |   |   |
|---|---|---|
| <p>19</p>  <p>2PCS</p>     | <p>20</p>  <p>2PCS</p>   | <p>21</p>  <p>1PC</p>    |
| <p>22</p>  <p>2PCS</p>     | <p>23</p>  <p>1PC</p>    | <p>24</p>  <p>14PCS</p>  |
| <p>25</p>  <p>28+2PCS</p> | <p>26</p>  <p>4PCS</p>  | <p>27</p>  <p>4PCS</p>  |
| <p>28</p>  <p>1PC</p>    | <p>29</p>  <p>1PC</p> | <p>30</p>  <p>1PC</p>  |
| <p>31</p>  <p>1PC</p>    | <p>32</p>  <p>1PC</p>  | <p>33</p>  <p>1PC</p>  |
| <p>34</p>  <p>1PC</p>    | <p>35</p>  <p>1PC</p>  | <p>36</p>  <p>8PCS</p> |

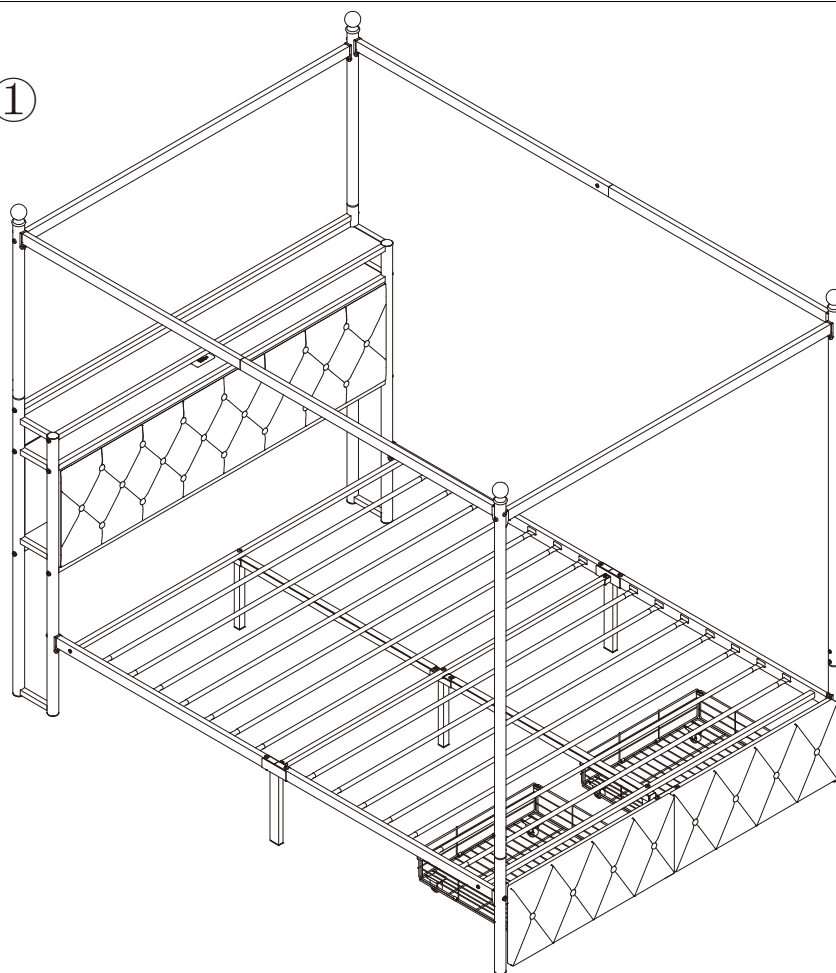
## Parts list

|  |  |   |
|--|--|---|
| <p><b>37</b></p>  <p>1PC</p>  | <p><b>38</b></p>  <p>1PC</p> | <p><b>39</b></p>  <p>1PC</p> |
| <p><b>40</b></p>  <p>8PCS</p> | <p><b>41</b></p>  <p>1PC</p>  | <p><b>42</b></p>  <p>1PC</p> |

## Hardware list

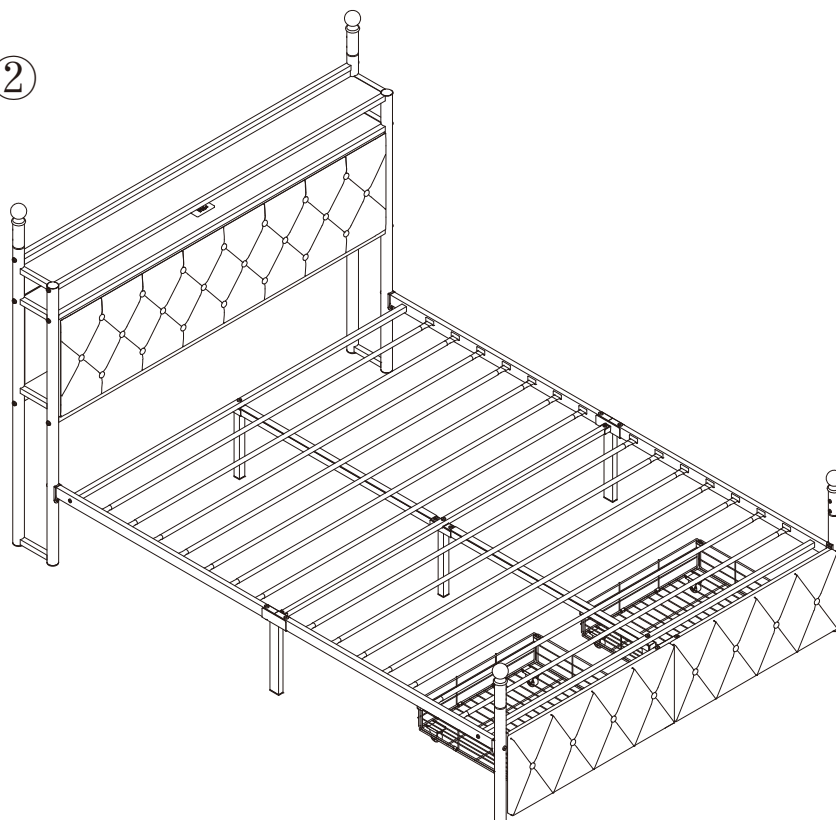
|   |   |  |   |
|---|---|--|---|
| <p><b>A</b></p>  <p>1/4×35mm 6PCS</p>      | <p><b>B</b></p>  <p>5/16×19mm 4PCS</p>     | <p><b>C</b></p>  <p>5/16×48mm 6PCS</p>     | <p><b>D</b></p>  <p>5/16×55mm 17+2PCS</p>    |
| <p><b>E</b></p>  <p>1/4×10mm 36+2PCS</p> | <p><b>F</b></p>  <p>1/4×16mm 2PCS</p>    | <p><b>G</b></p>  <p>1/4×55mm 12+1PCS</p> | <p><b>H</b></p>  <p>1/4×17.5mm 26+2PCS</p> |
| <p><b>I</b></p>  <p>4+1PCS</p>           | <p><b>J</b></p>  <p>4+1PCS</p>           | <p><b>K</b></p>  <p>2+1PCS</p>            | <p><b>L</b></p>  <p>M3×13mm 2PCS</p>       |
| <p><b>M</b></p>  <p>M5×35mm 14+1PCS</p>  | <p><b>N</b></p>  <p>M4 1PC</p>           | <p><b>O</b></p>  <p>M3 1PC</p>           | <p><b>P</b></p>  <p>1/4 2PCS</p>           |
| <p><b>Q</b></p>  <p>∅6x30mm 3+1PCS</p>   | <p><b>R</b></p>  <p>Velcro strap 1PC</p> |  |   |

Option ①



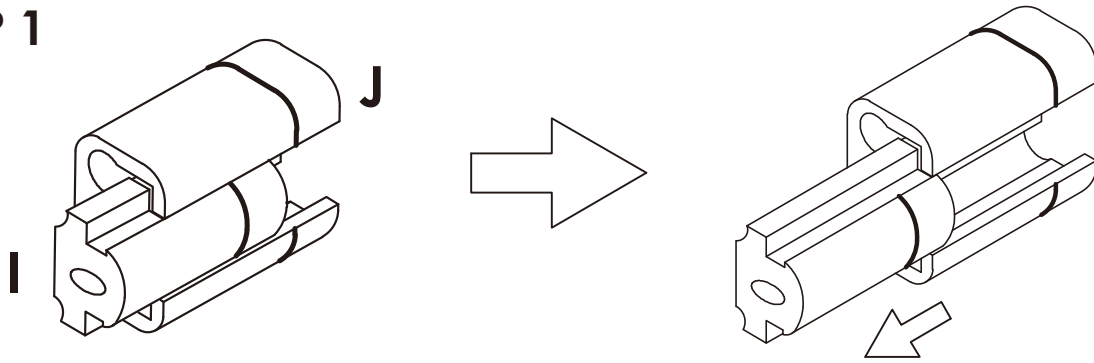
All labels are on the head or tail of the parts  
Please keep all parts in a safe place in case they will be  
needed when assembling or disassembling the canopy.

Option ②

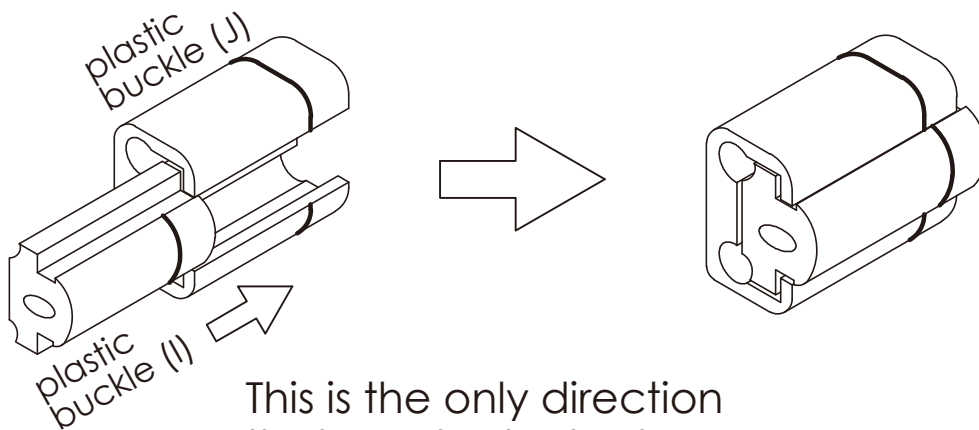


## Assembly Instruction of (Drawer)

### STEP 1

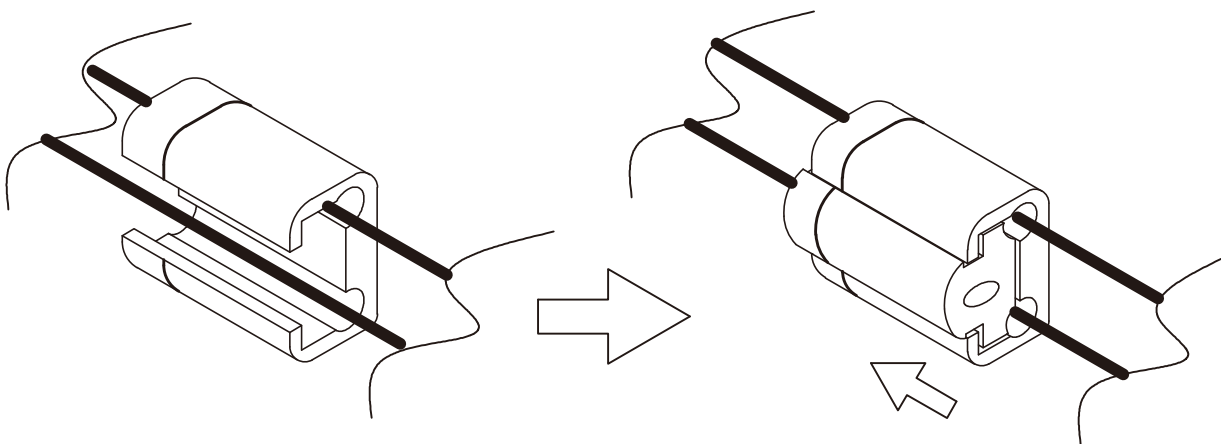


You can pull the buckle out by following the direction indicated by the arrow



This is the only direction that can be locked.

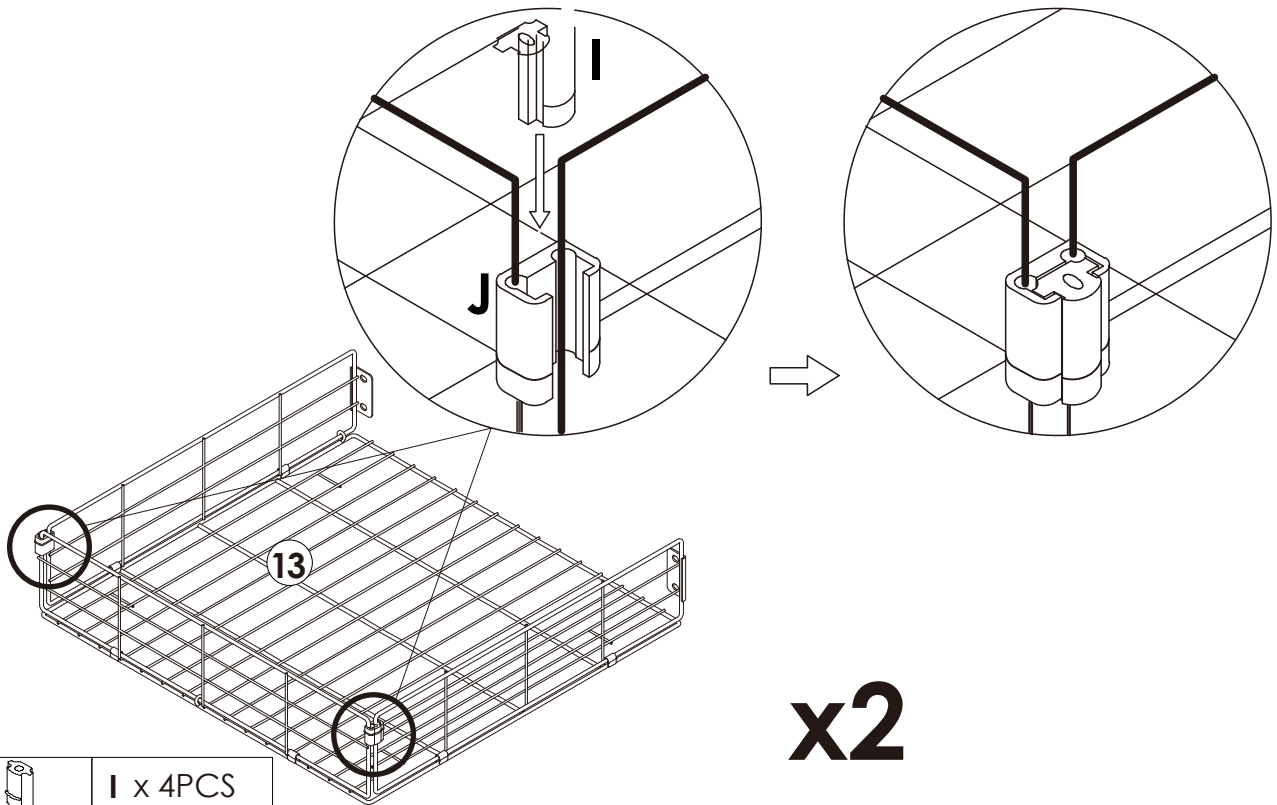
### STEP 2

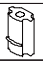



Place the round iron tubes as shown for better assembly of the drawers.

## Assembly Instruction of (Drawer)

**STEP 3** Assemble the plastic buckle as shown in the figure.

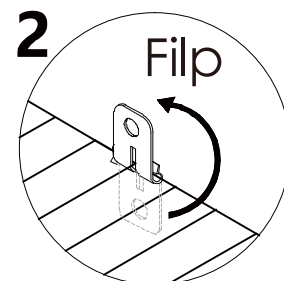
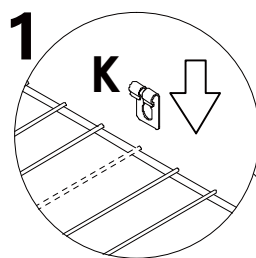


|   |          |
|---|----------|
|  | I x 4PCS |
|  | J x 4PCS |

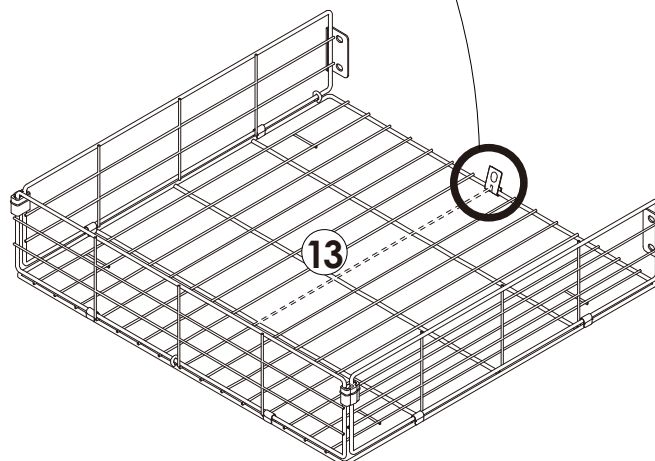
**STEP 4**

**Assemble drawer hook**

1: As shown in the picture, please clip the #M in the middle of the iron mesh drawer. This needs to connect the riddle hole of #14 (drawer front panel) in the following steps.



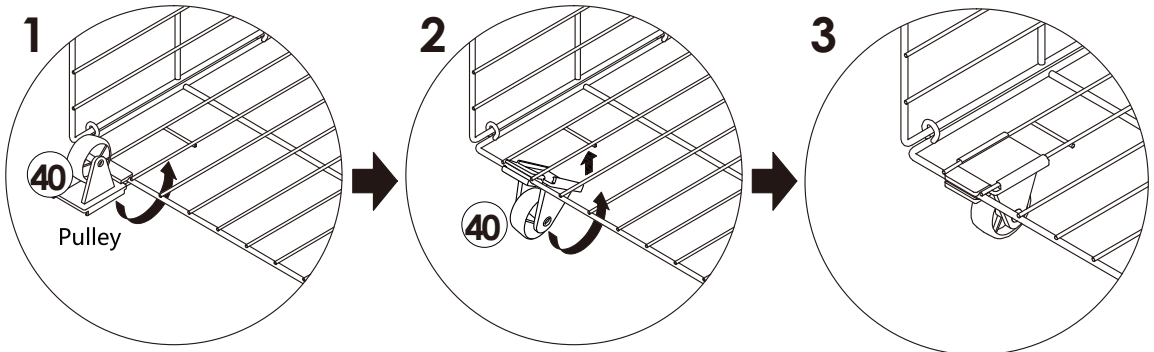
2: Flip it and turn it over.



|   |          |
|---|----------|
|  | K x 2PCS |
|---|----------|

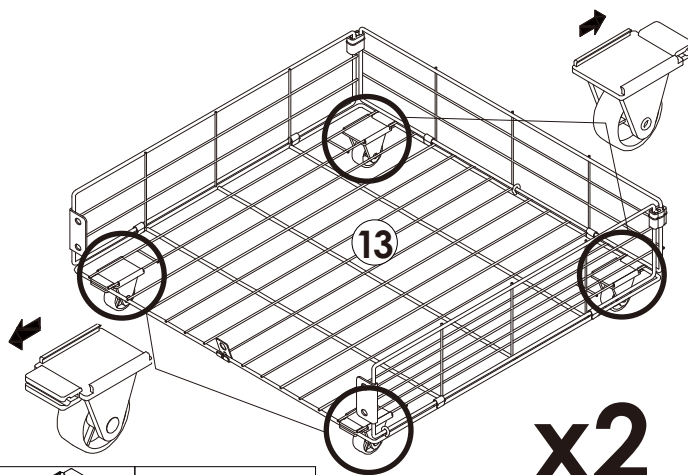
## Assembly Instruction of (Drawer)

### STEP 5



1. Please Clip the wheels on the big iron wire first, As shown in the figure.

2. Please turn the wheel over, keep the plastic plate of the wheel between the two wires, and then press hard so that the wires are stuck into the plastic plate. This requires some strength.



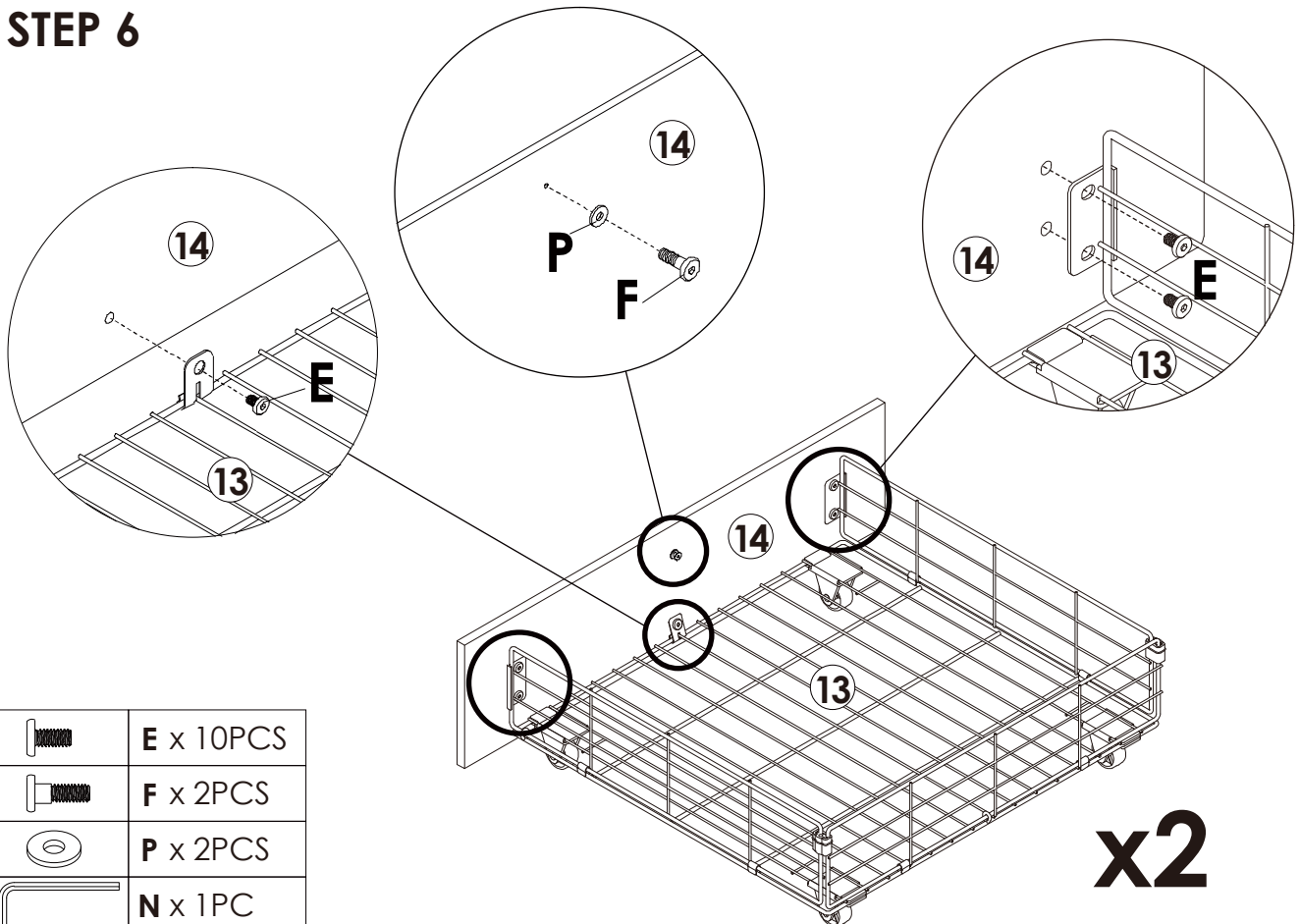
x2

3. Place the drawer in the right way as picture shows, it would help you assemble drawer easily.



40 x 8PCS

### STEP 6

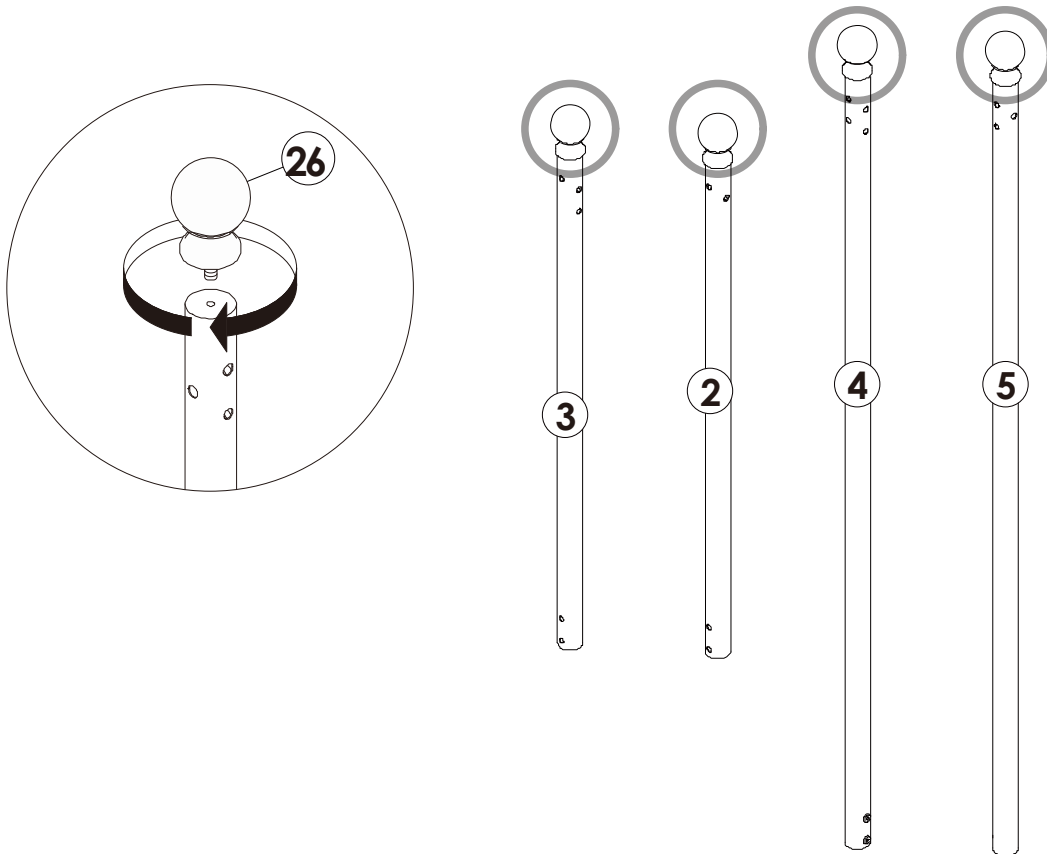


x2

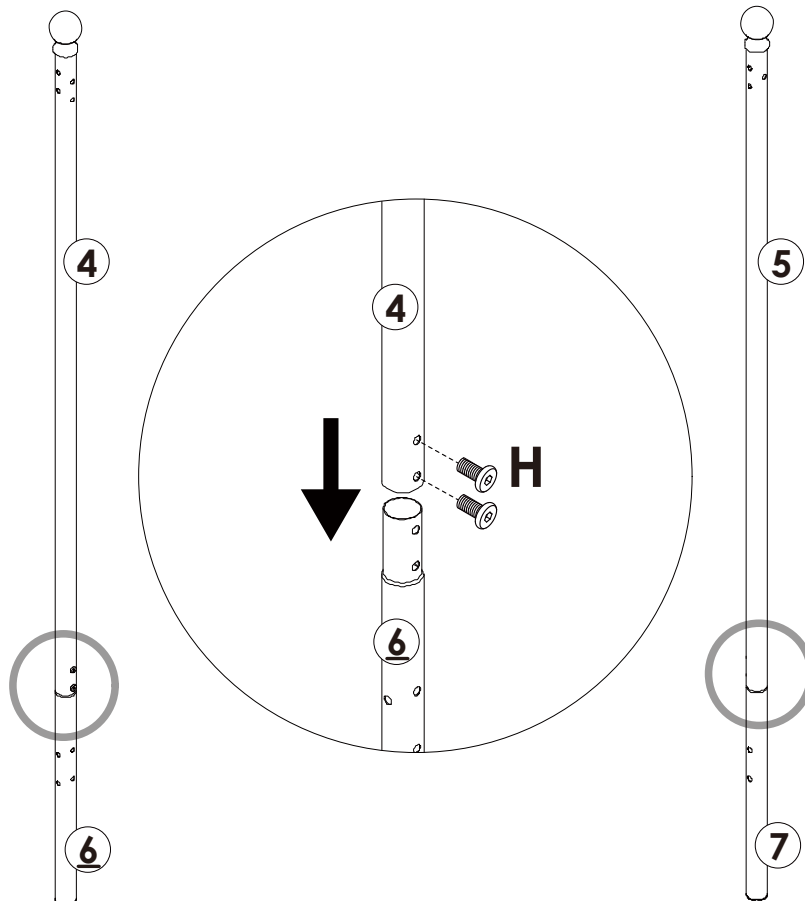
|  |           |
|--|-----------|
|  | E x 10PCS |
|  | F x 2PCS  |
|  | P x 2PCS  |
|  | N x 1PC   |


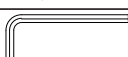
## Assembly Instruction of (Bed)

### STEP 7 Option 1: Install Part 26 on the canopy posts



### STEP 8

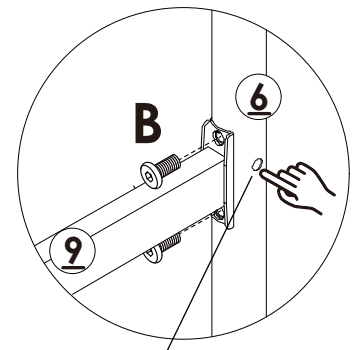
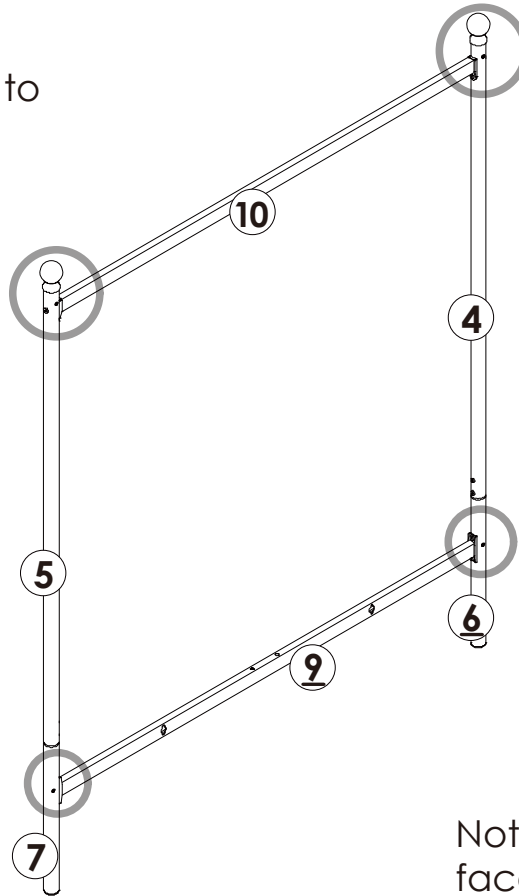
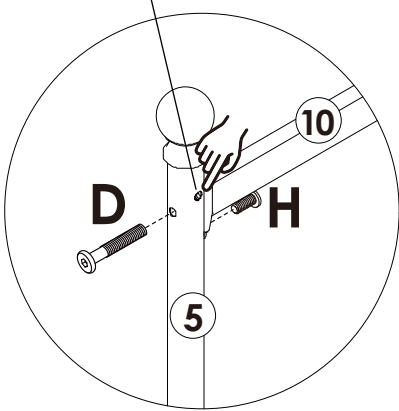


|   |          |
|---|----------|
|  | H x 4PCS |
|  | N x 1PC  |

# Assembly Instruction of (Bed)

## STEP 9

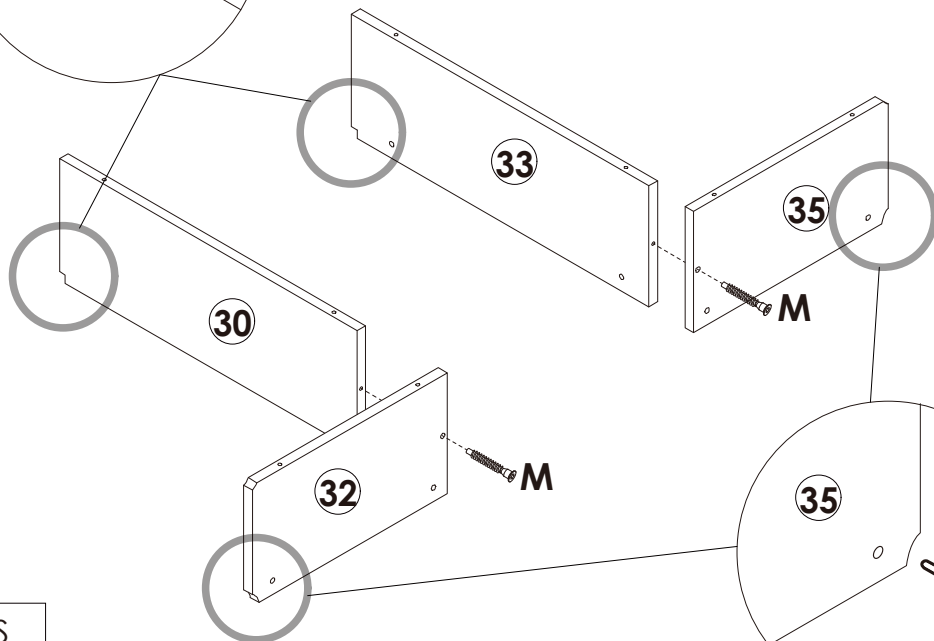
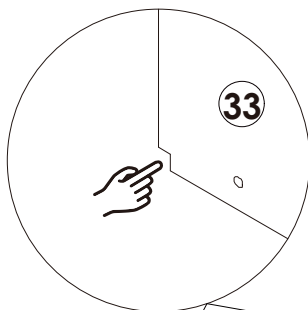
Noted: This hole have to face upward



Noted: This hole have to face upward

|  |          |
|--|----------|
|  | D x 2PCS |
|  | H x 2PCS |
|  | B x 4PCS |
|  | N x 1PC  |

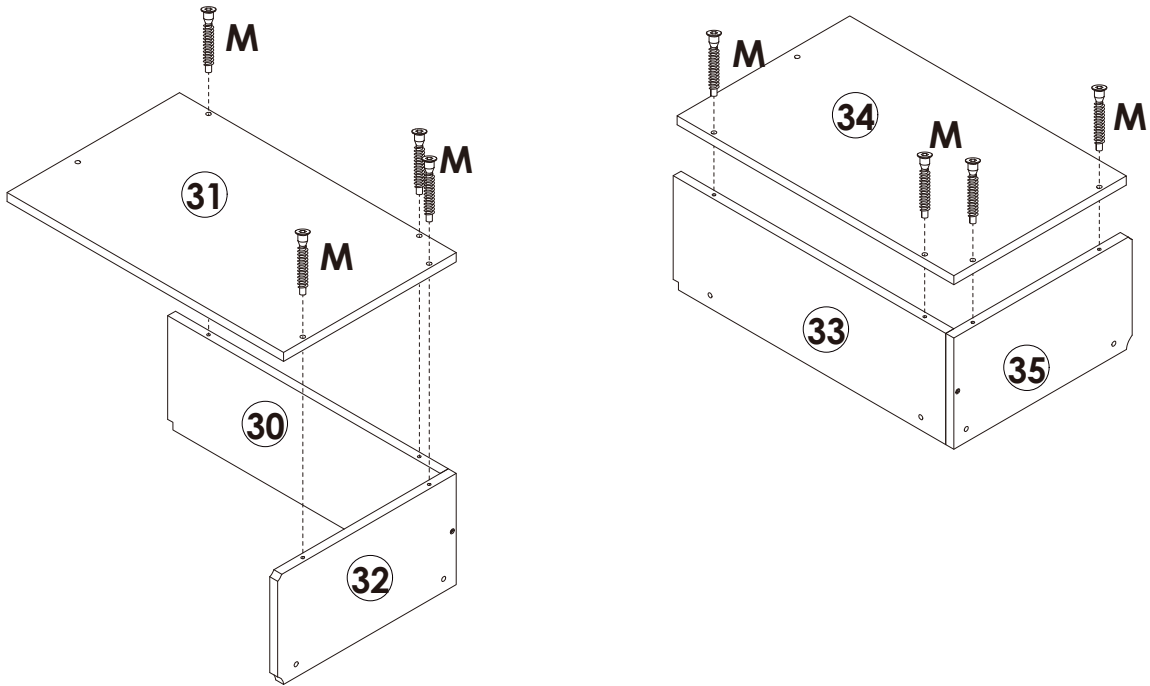
## STEP 10





|  |          |
|--|----------|
|  | M x 2PCS |
|  | O x 1PC  |

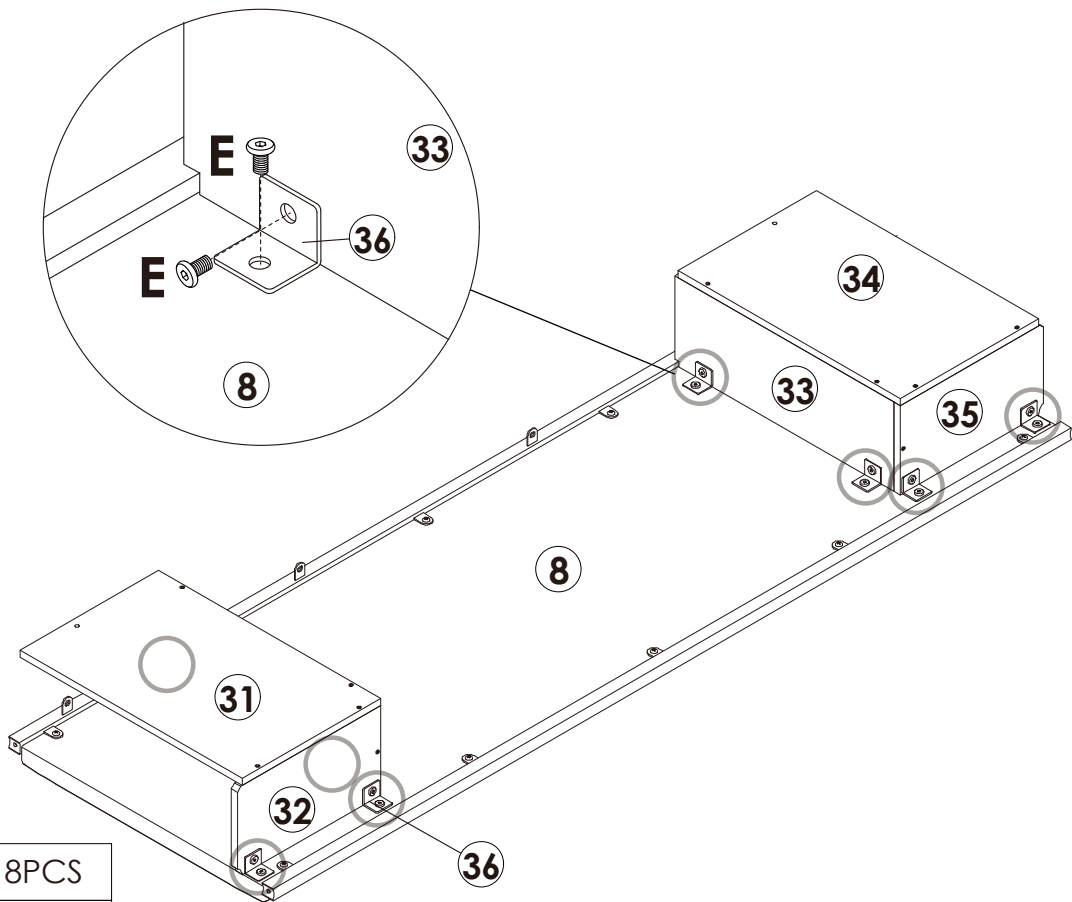
# Assembly Instruction of (Bed)




## STEP 11



|   |                 |
|---|-----------------|
|    | <b>M x 8PCS</b> |
|  | <b>O x 1PC</b>  |

## STEP 12

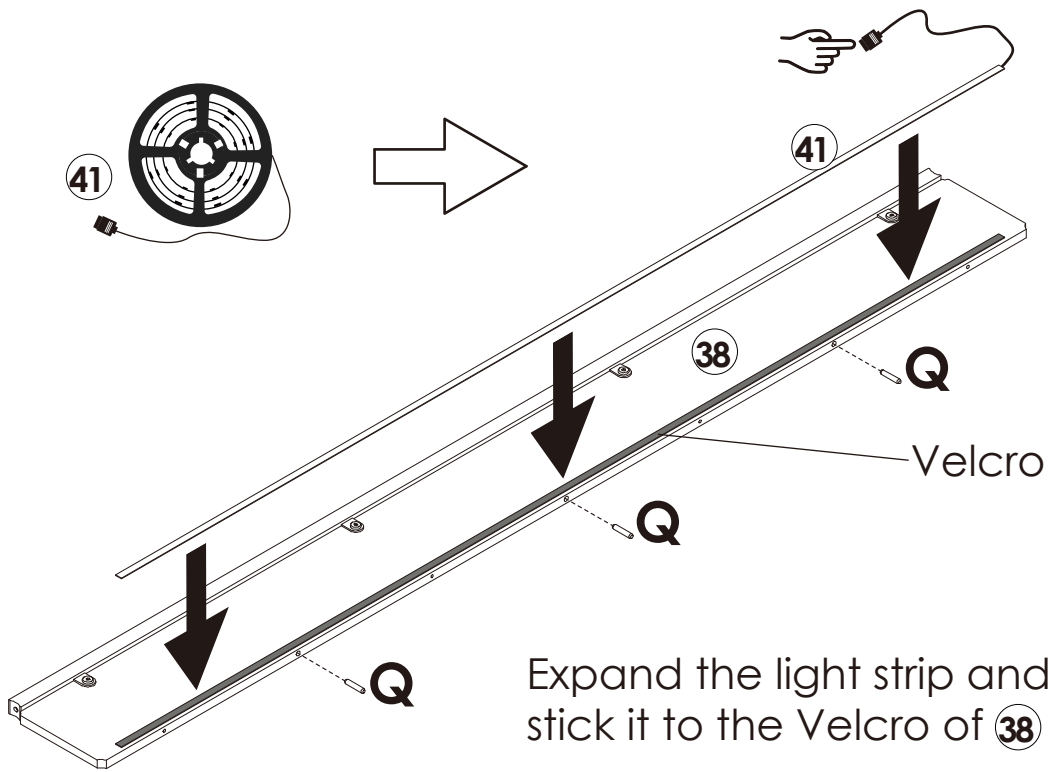


|   |                  |
|---|------------------|
|  | <b>36 x 8PCS</b> |
|  | <b>E x 16PCS</b> |
|  | <b>N x 1PC</b>   |

# Assembly Instruction of (Bed)

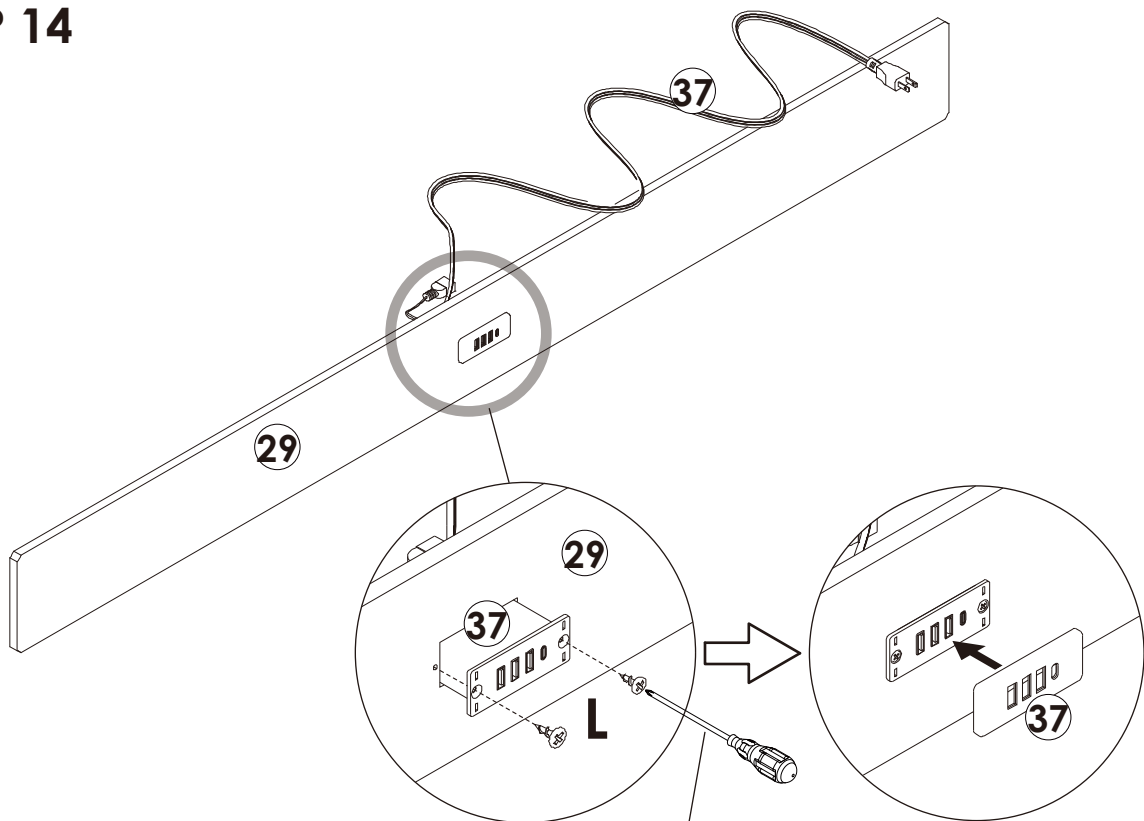
## STEP 13

Note the direction of light strip



 Q x 3PCS

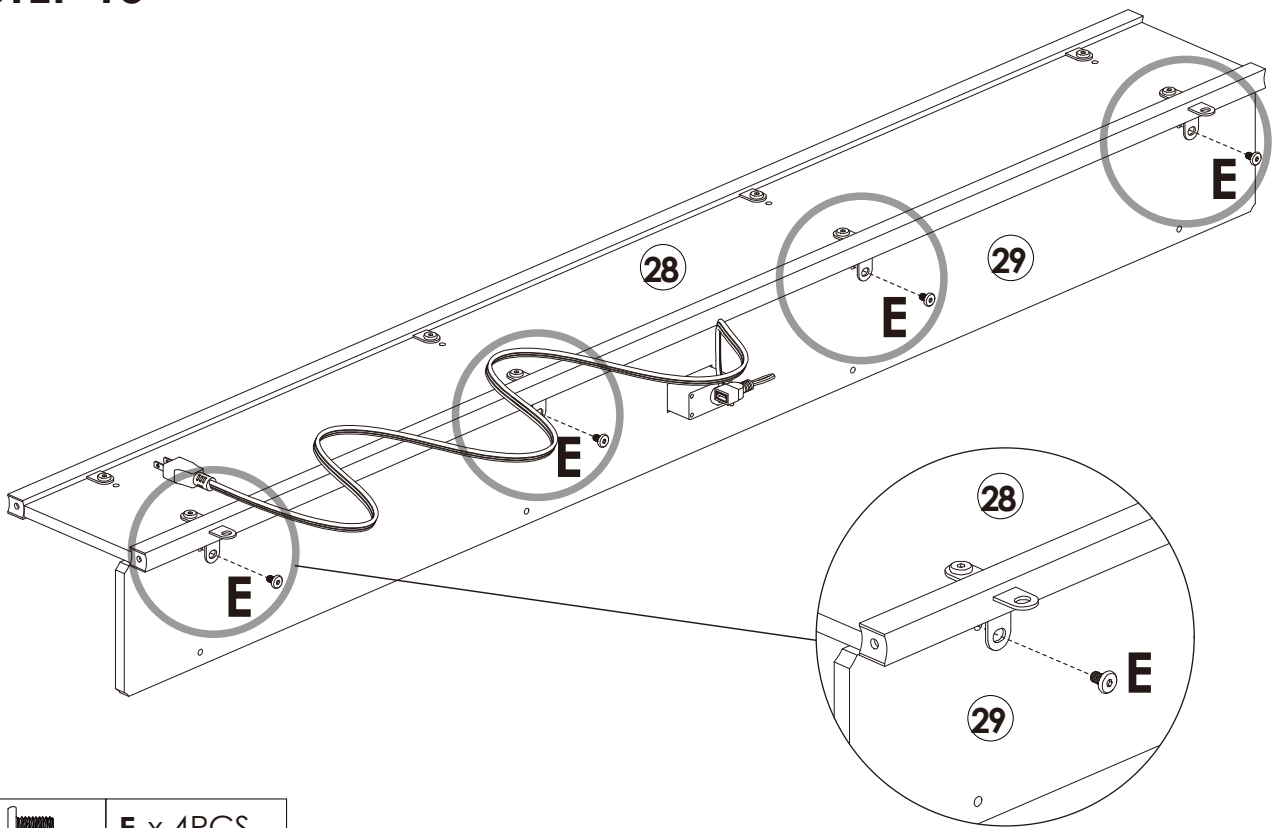
## STEP 14





 L x 2PCS

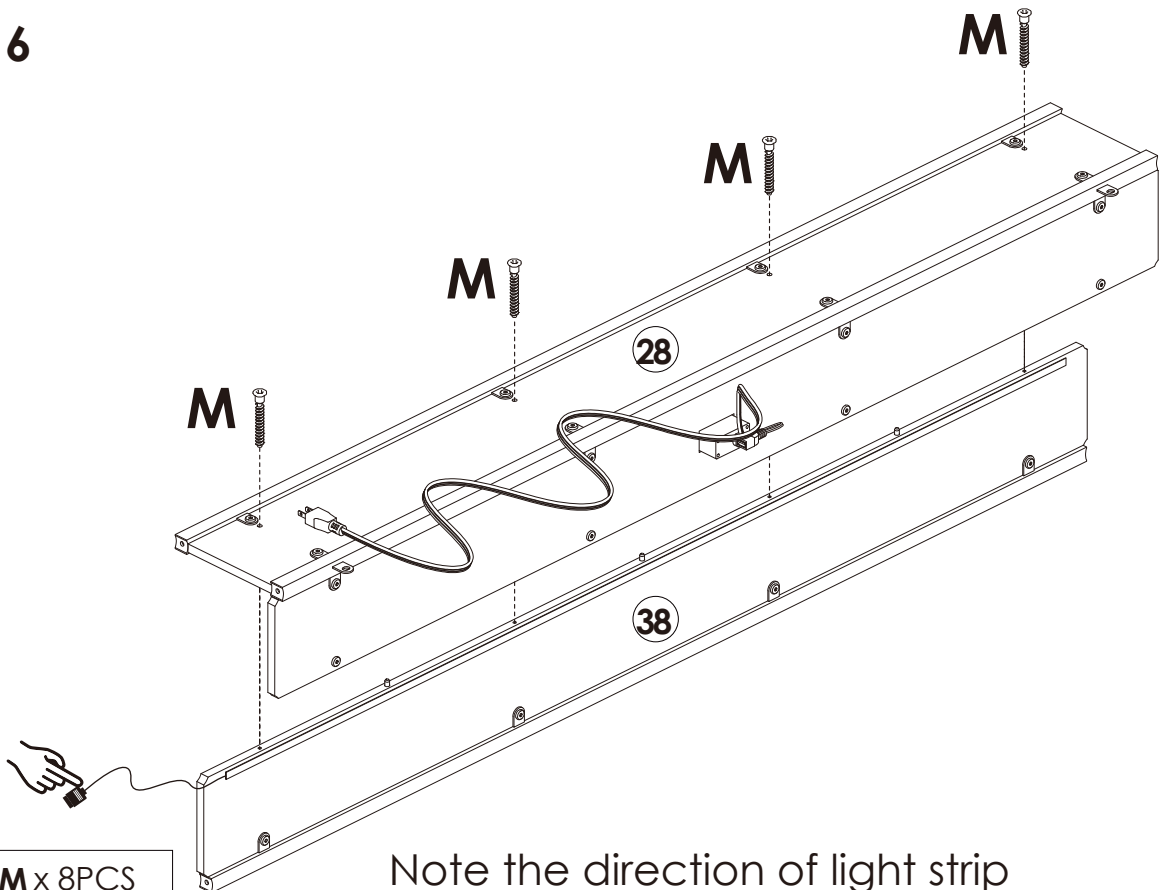
# Assembly Instruction of (Bed)



## STEP 15



|   |                 |
|---|-----------------|
|  | <b>E</b> x 4PCS |
|  | <b>N</b> x 1PC  |

## STEP 16

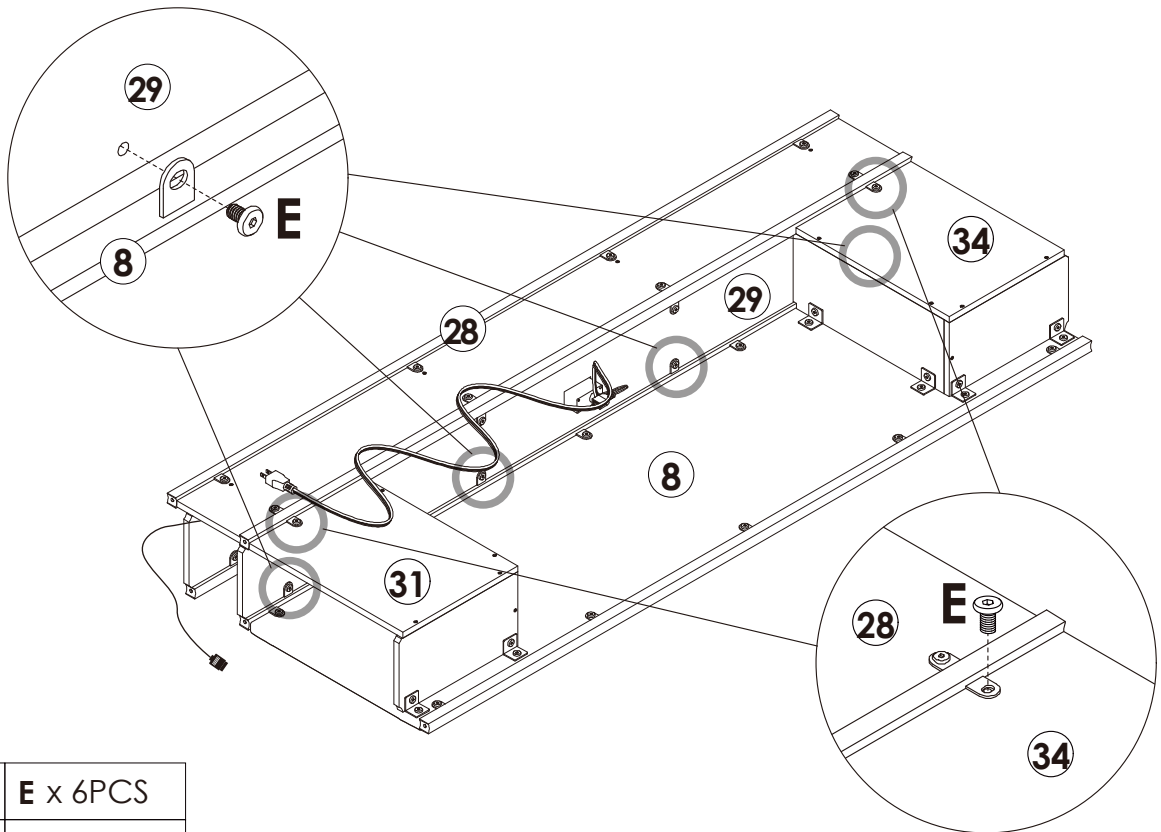




|   |                 |
|---|-----------------|
|  | <b>M</b> x 8PCS |
|  | <b>O</b> x 1PC  |

Note the direction of light strip

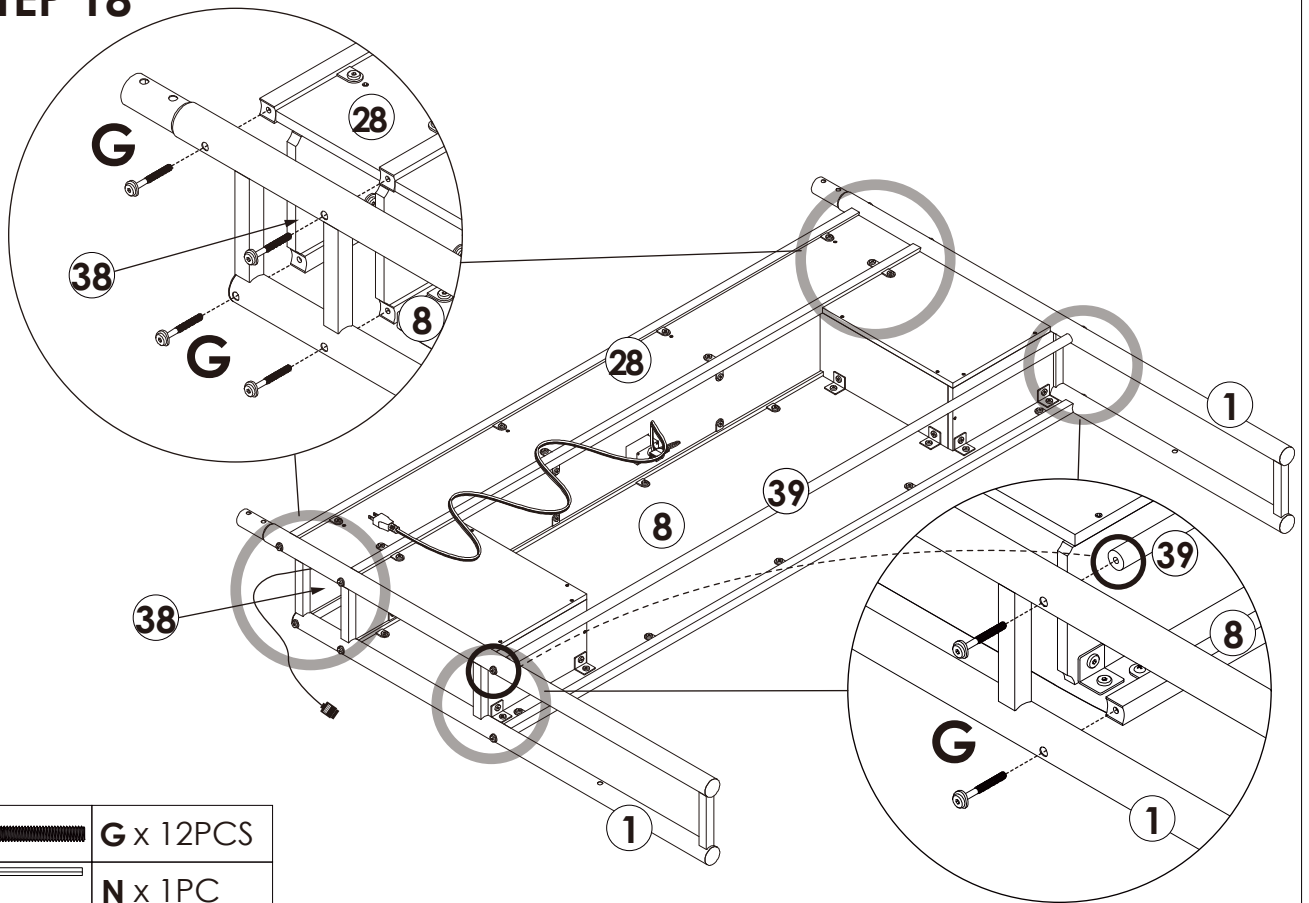
# Assembly Instruction of (Bed)



## STEP 17



|   |          |
|---|----------|
|  | E x 6PCS |
|  | N x 1PC  |

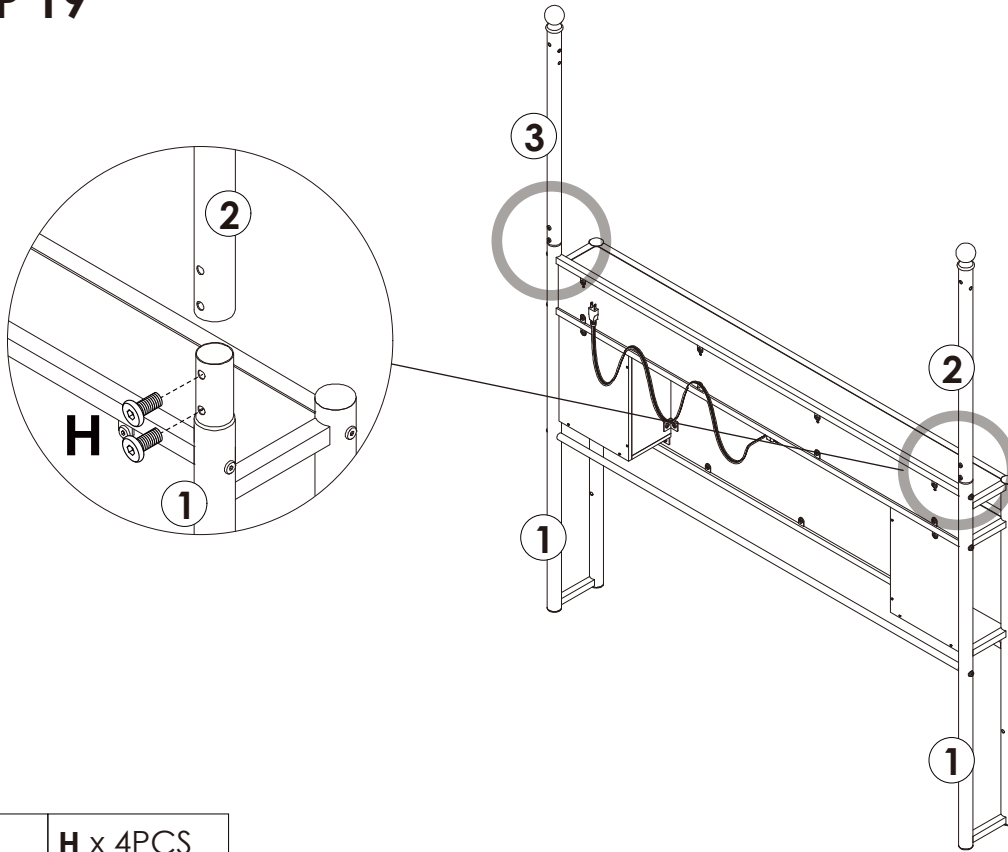
## STEP 18





|   |           |
|---|-----------|
|  | G x 12PCS |
|  | N x 1PC   |

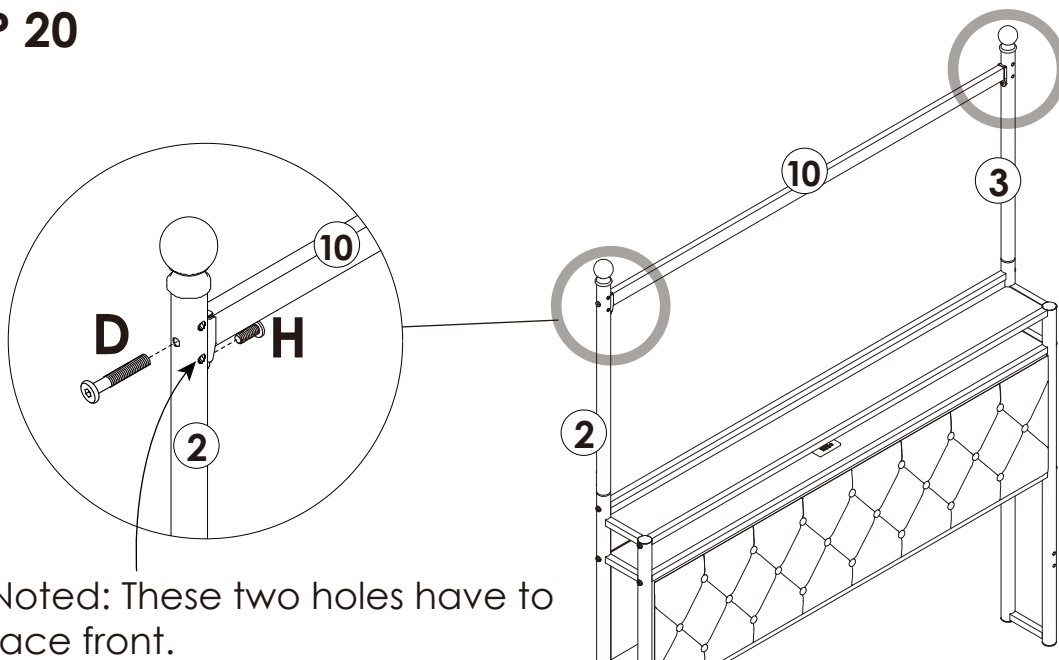
# Assembly Instruction of (Bed)

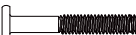


## STEP 19



|   |          |
|---|----------|
|  | H x 4PCS |
|  | N x 1PC  |

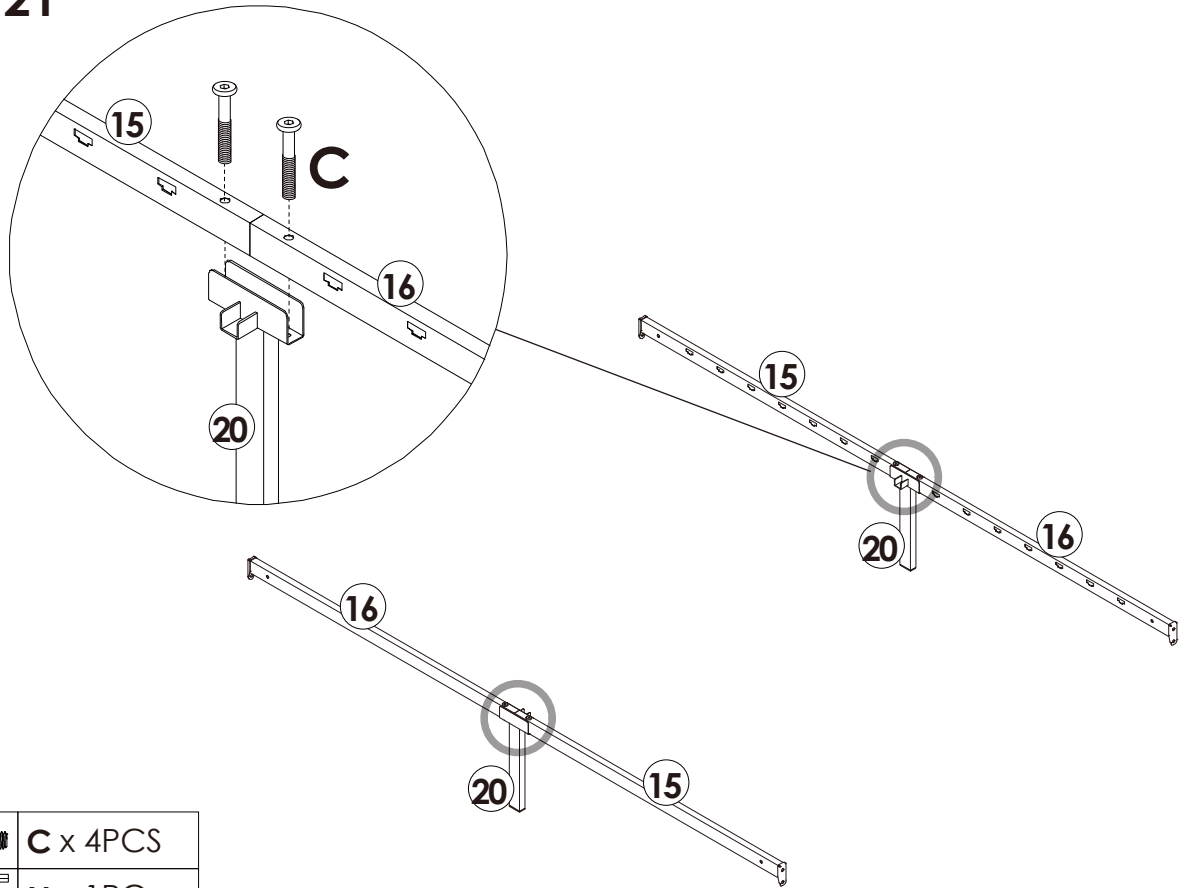
## STEP 20

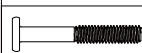
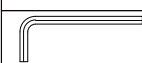


|   |          |
|---|----------|
|  | D x 2PCS |
|  | H x 2PCS |
|  | N x 1PC  |

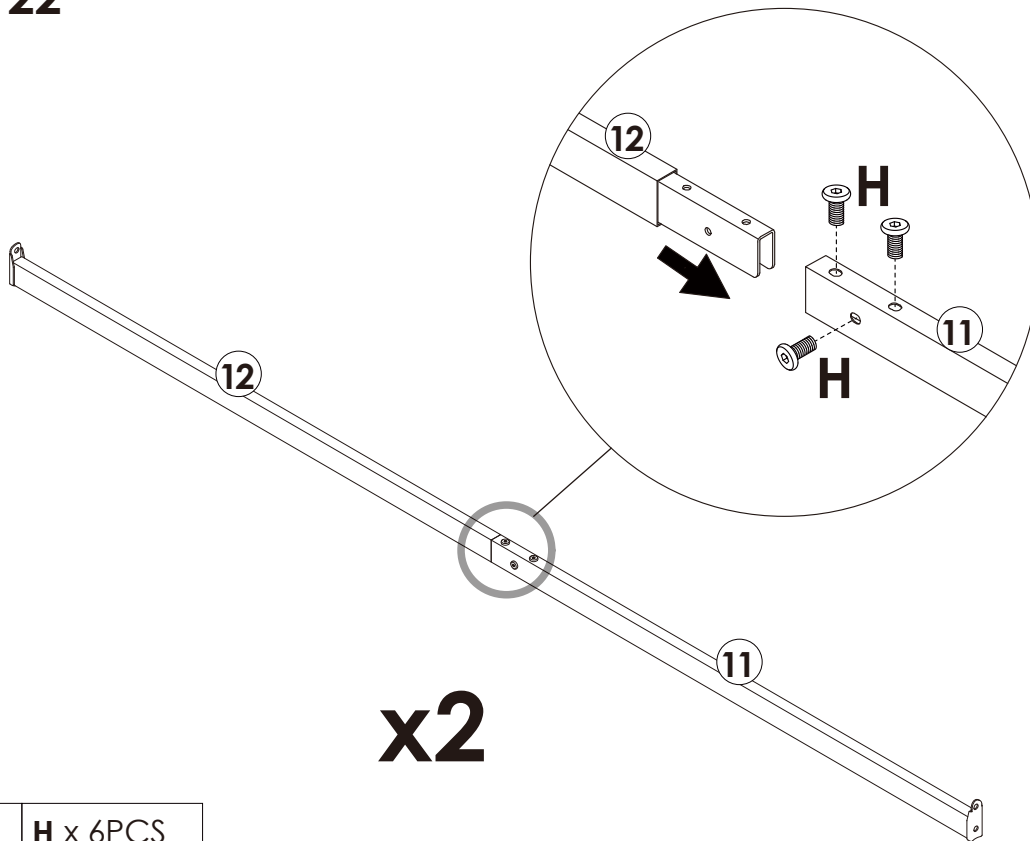
# Assembly Instruction of (Bed)

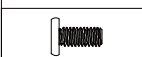

## STEP 21



|   |          |
|---|----------|
|  | C x 4PCS |
|  | N x 1PC  |

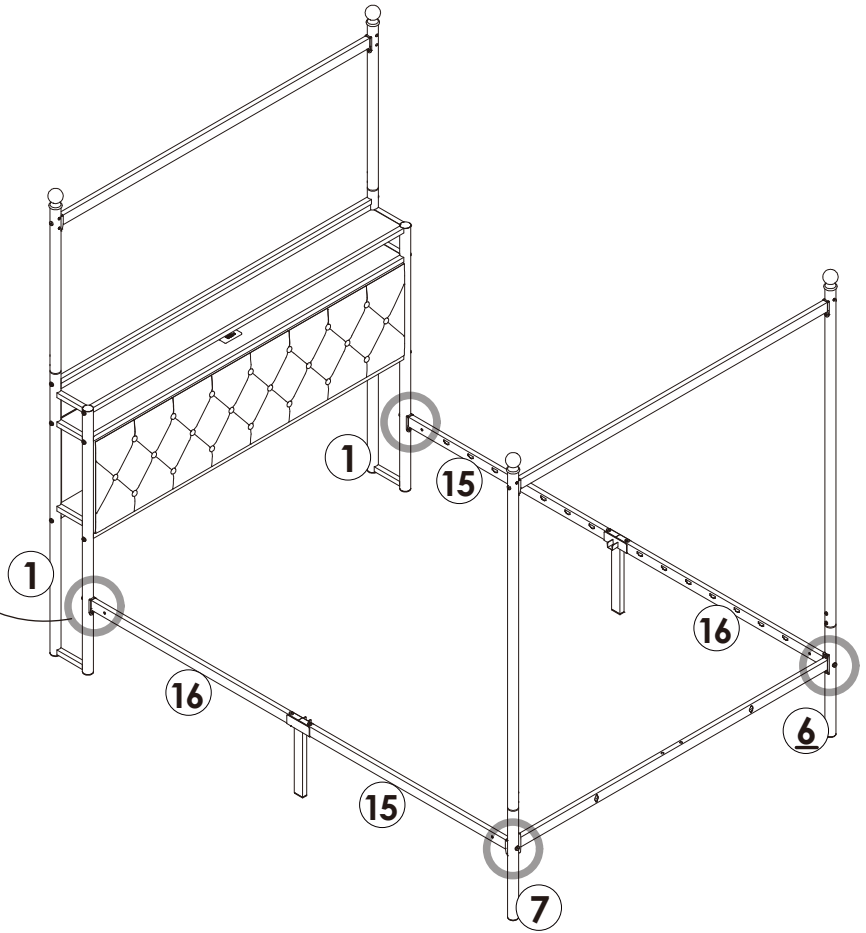
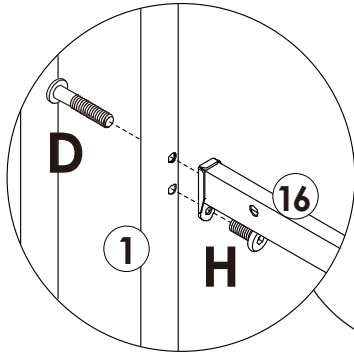
## STEP 22

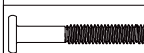
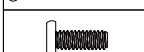



|   |          |
|---|----------|
|  | H x 6PCS |
|  | N x 1PC  |

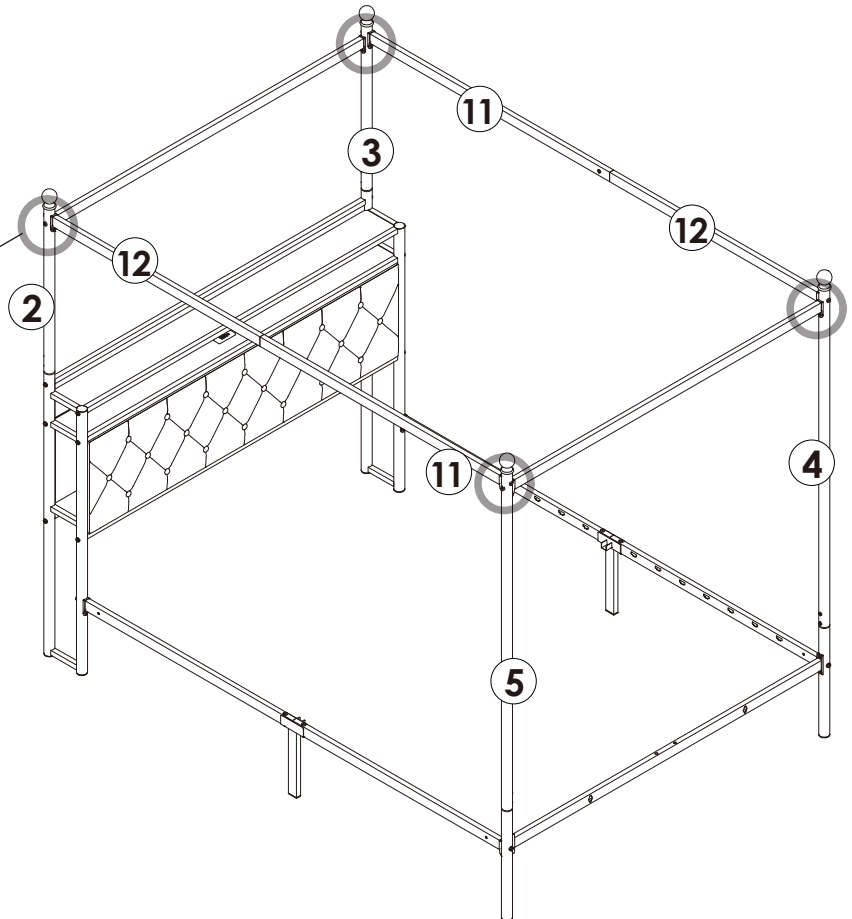
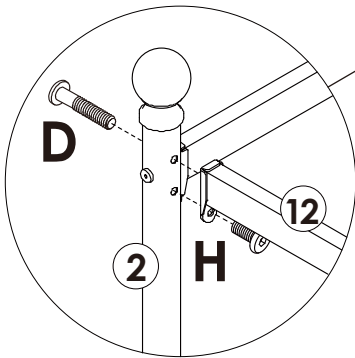
# Assembly Instruction of (Bed)

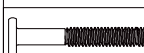
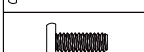

## STEP 23



|   |                 |
|---|-----------------|
|   | <b>D</b> x 4PCS |
|  | <b>H</b> x 4PCS |
|  | <b>N</b> x 1PC  |

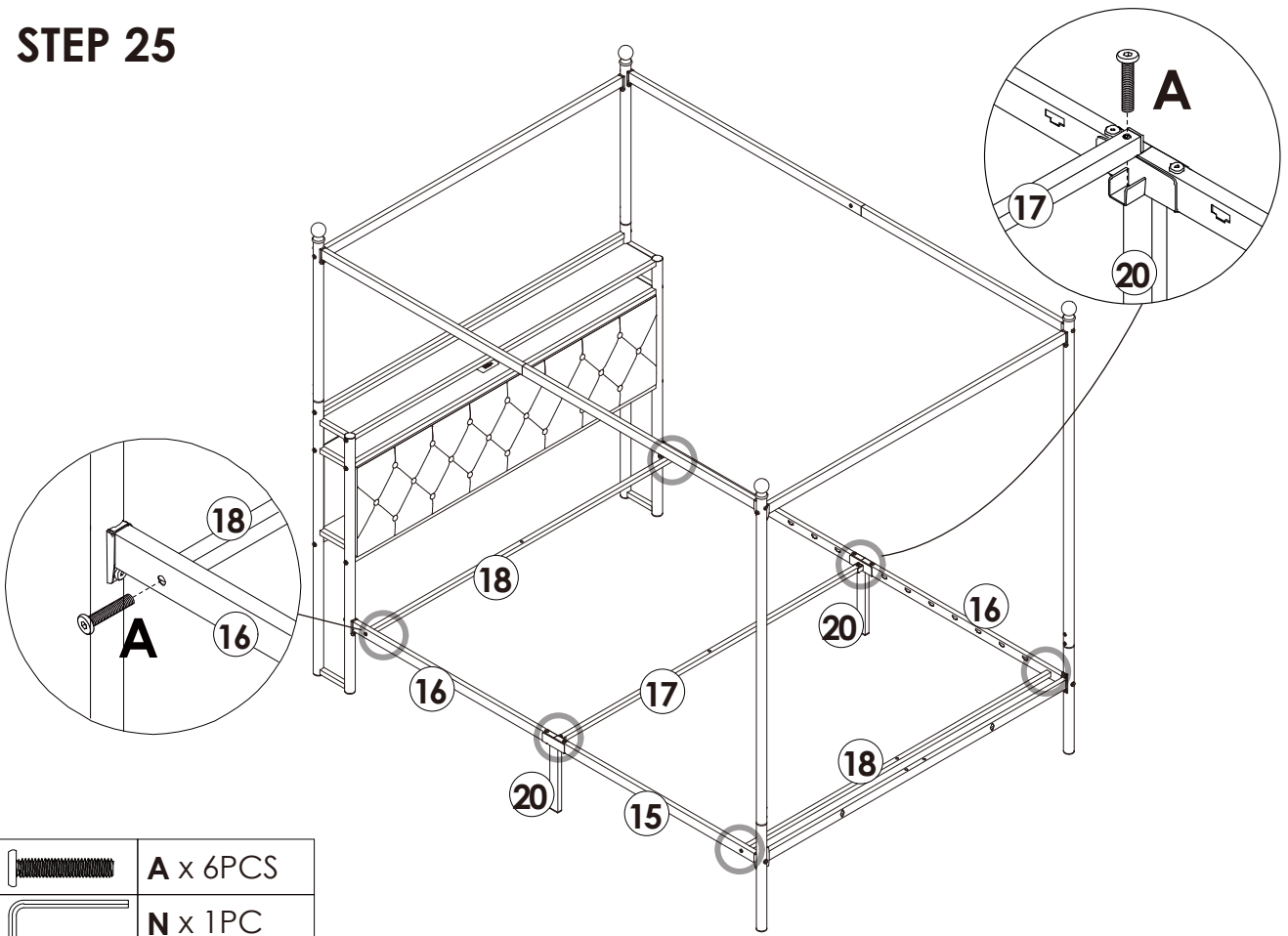
## STEP 24





|   |                 |
|---|-----------------|
|  | <b>D</b> x 4PCS |
|  | <b>H</b> x 4PCS |
|  | <b>N</b> x 1PC  |

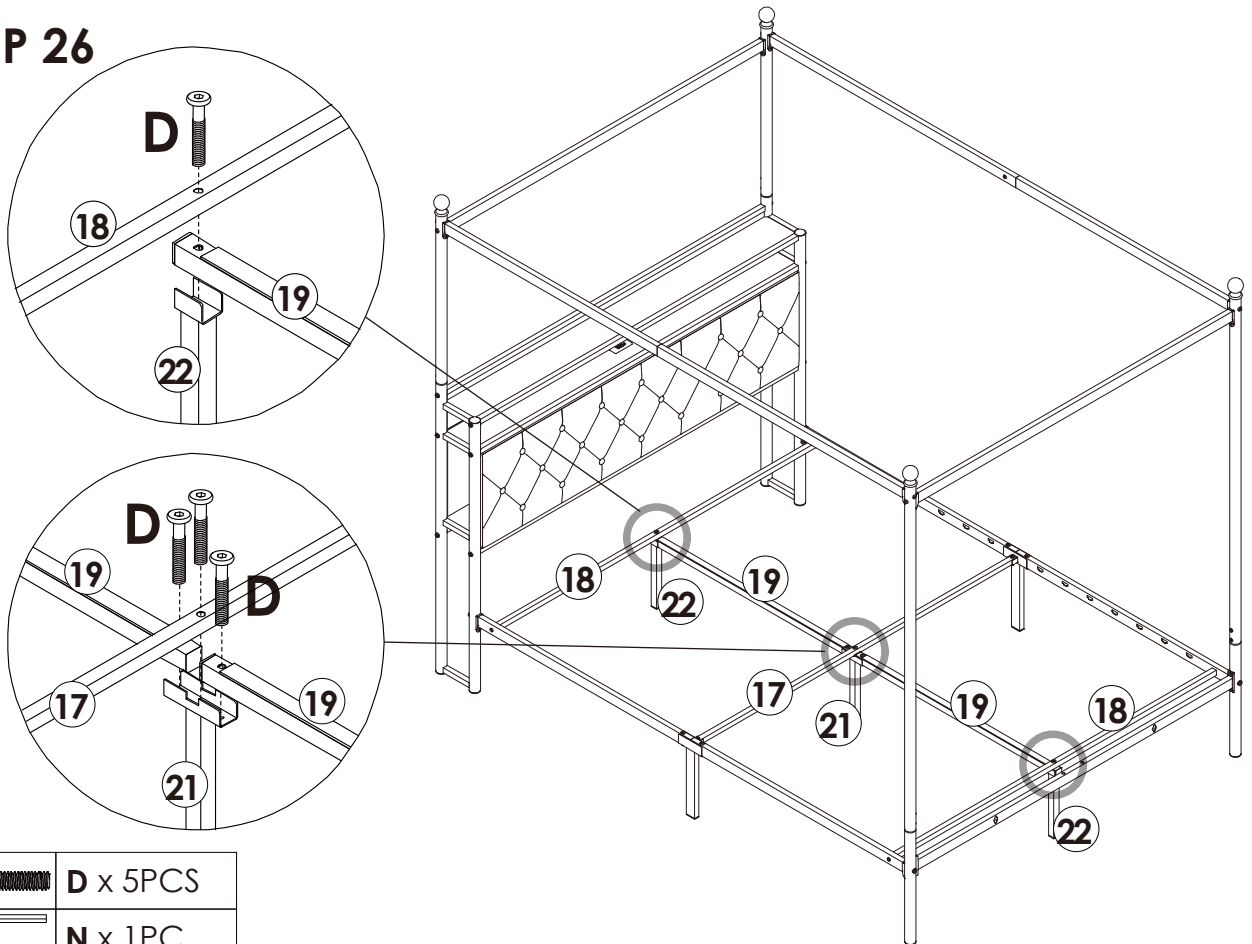
# Assembly Instruction of (Bed)


## STEP 25



|   |          |
|---|----------|
|  | A x 6PCS |
|  | N x 1PC  |

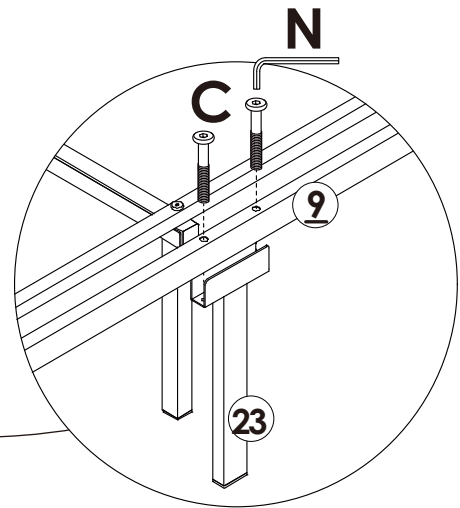
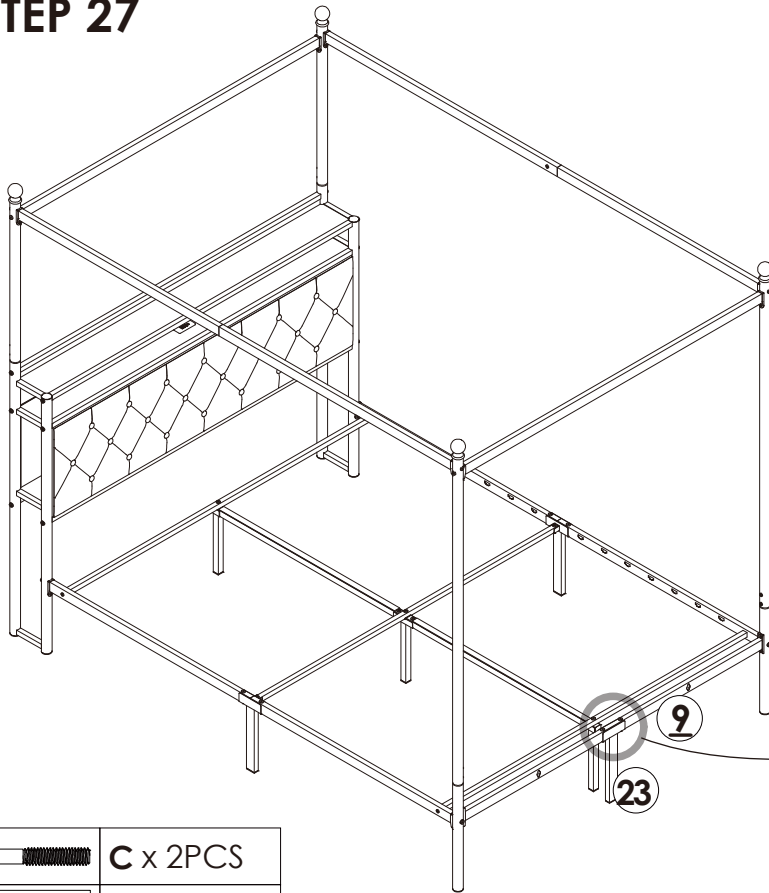
## STEP 26





|   |          |
|---|----------|
|  | D x 5PCS |
|  | N x 1PC  |

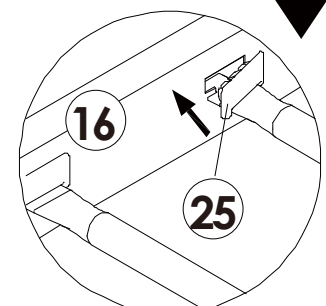
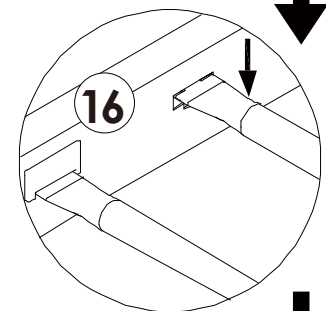
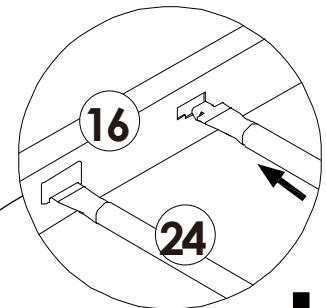
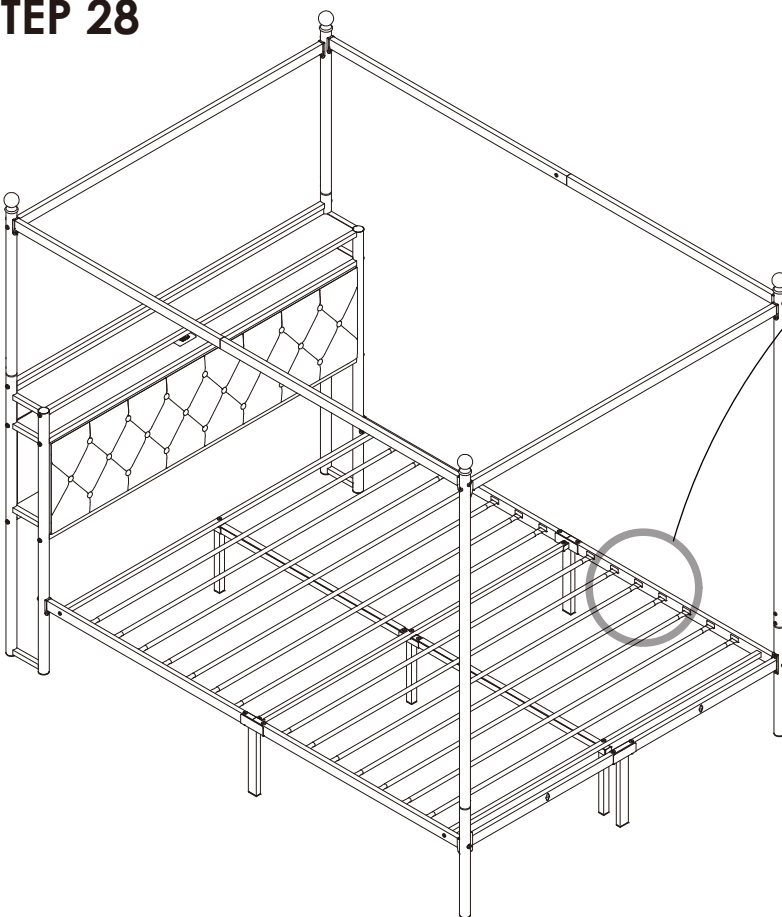
# Assembly Instruction of (Bed)

## STEP 27



|   |          |
|---|----------|
|  | C x 2PCS |
|  | N x 1PC  |

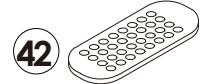
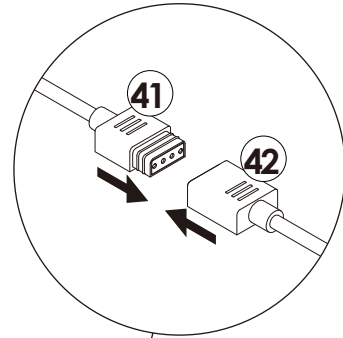
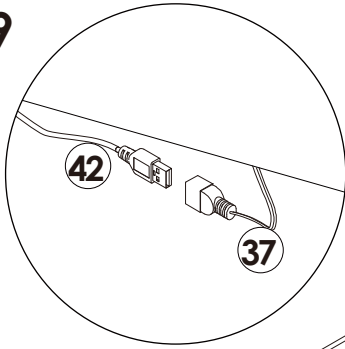
## STEP 28



# Assembly Instruction of (Bed)

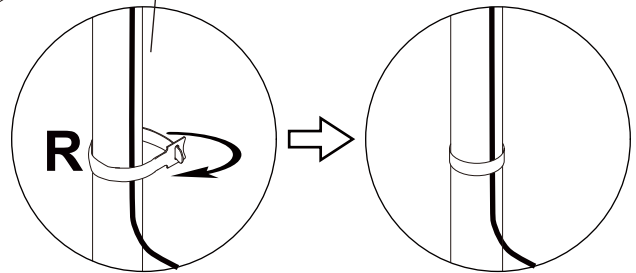
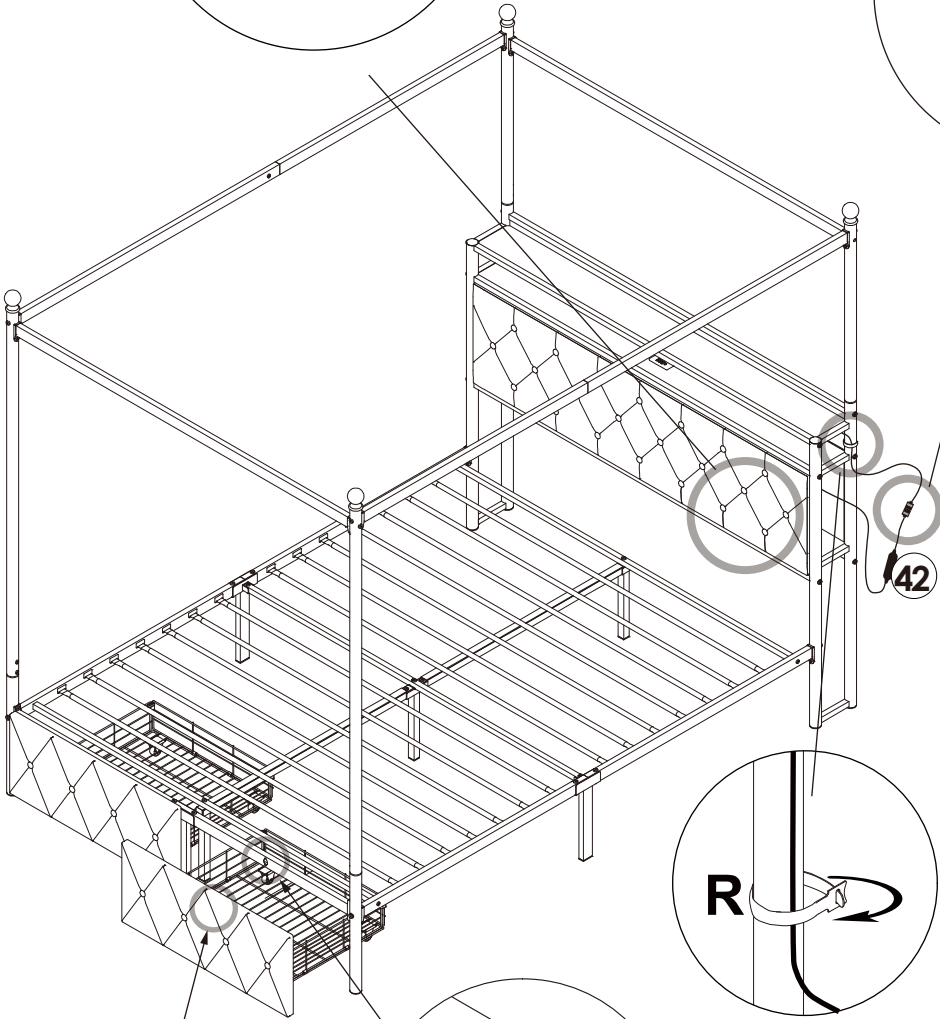
## STEP 29

Noted: The square part of the receiver (42) needs to be exposed to air in order to better control the LED light.

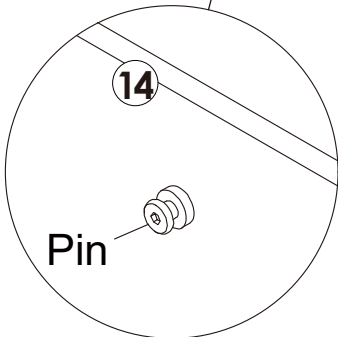


### Remote control

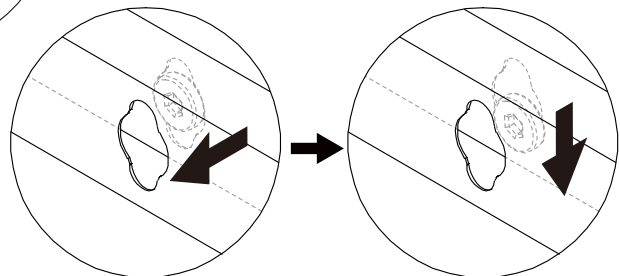
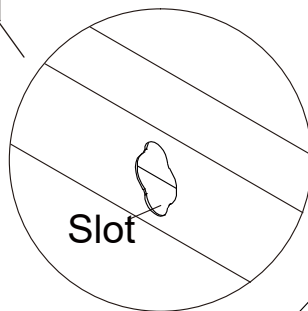
You can use the remote to control the light. The LED lamp can only be used after the power supply is connected.



You can use straps to secure the overly long light lamp to the bed.



This screw prevents the drawer from sliding.

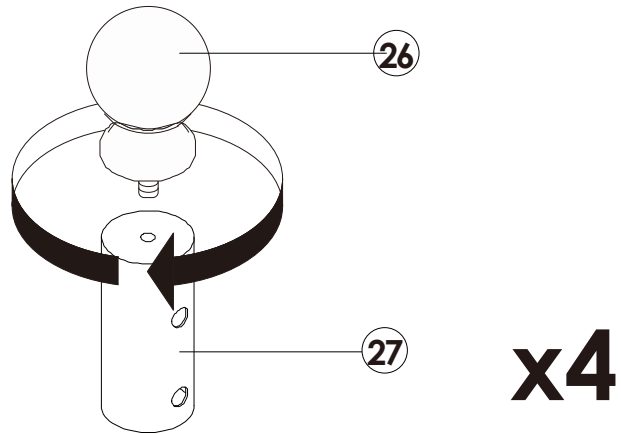


Hang the screw of the drawer panel into this slot to secure the drawer.

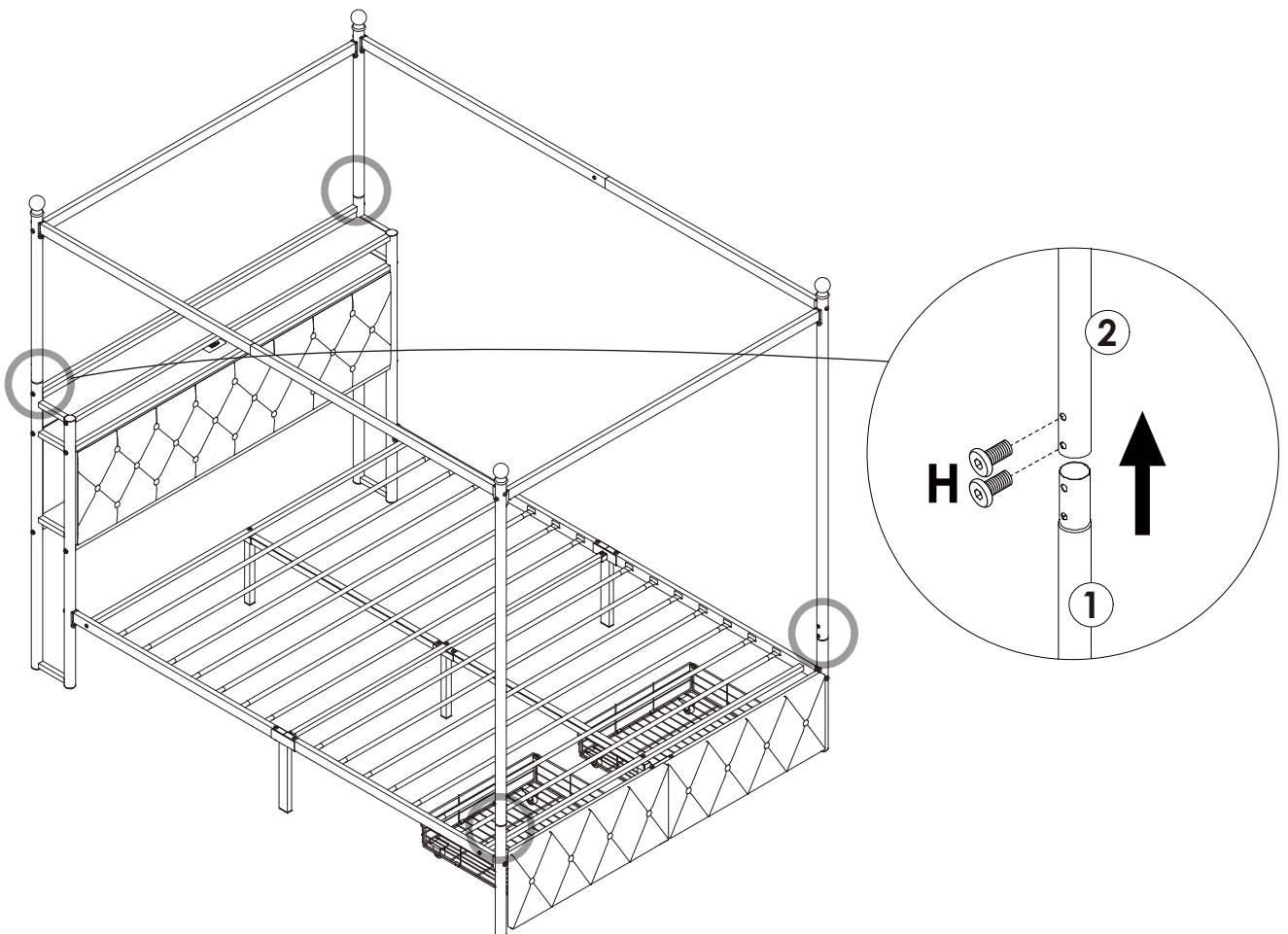


## Assembly Instruction of (Bed)

**STEP 30** Option 2: Remove #26 from the canopy post, and then install it on the part 27



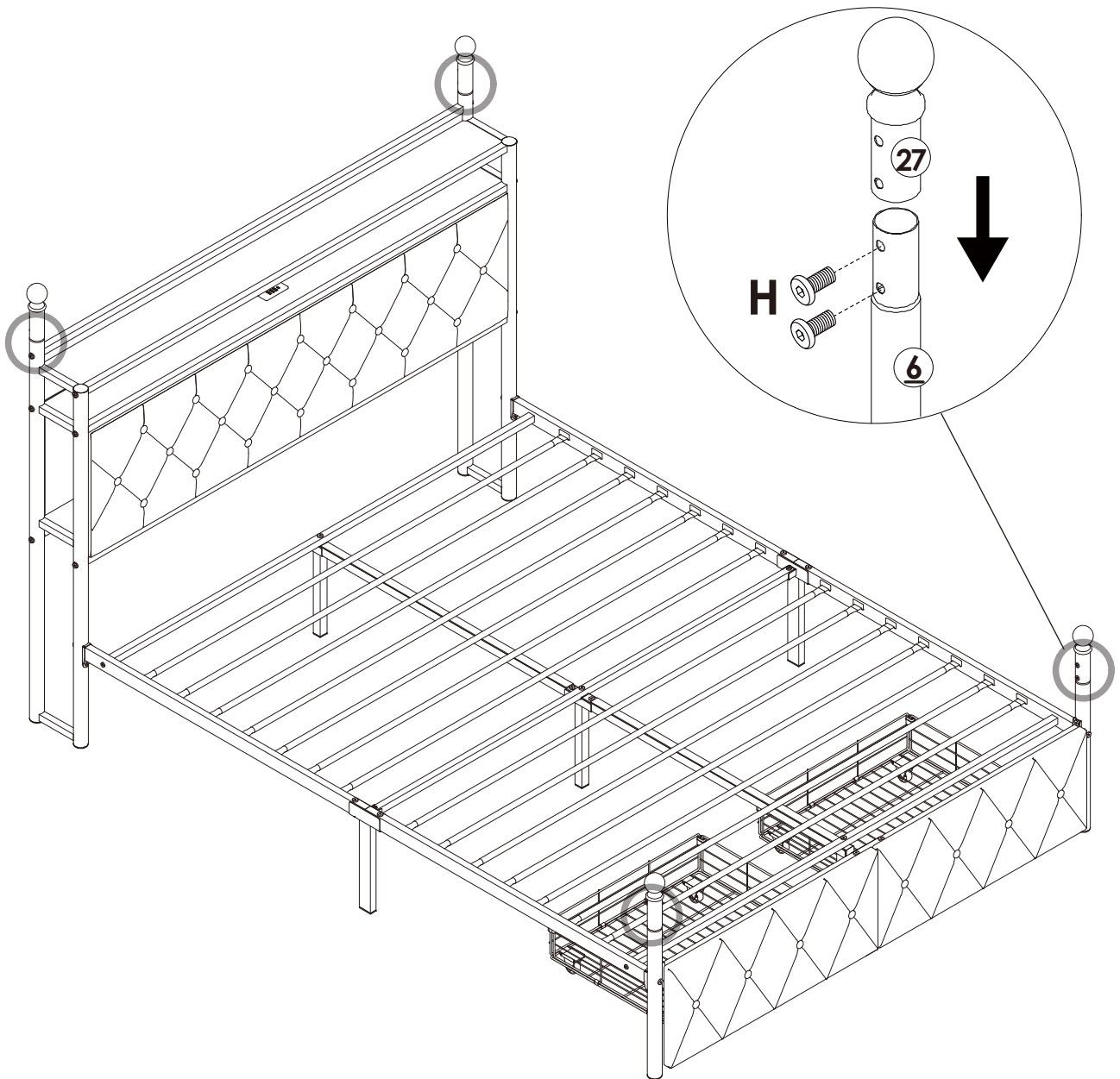
**STEP 31**





 **N x 1PC**

# Assembly Instruction of (Bed)

## STEP 32



|   |          |
|---|----------|
|  | H x 8PCS |
|  | N x 1PC  |

*Thanks Gracias!*