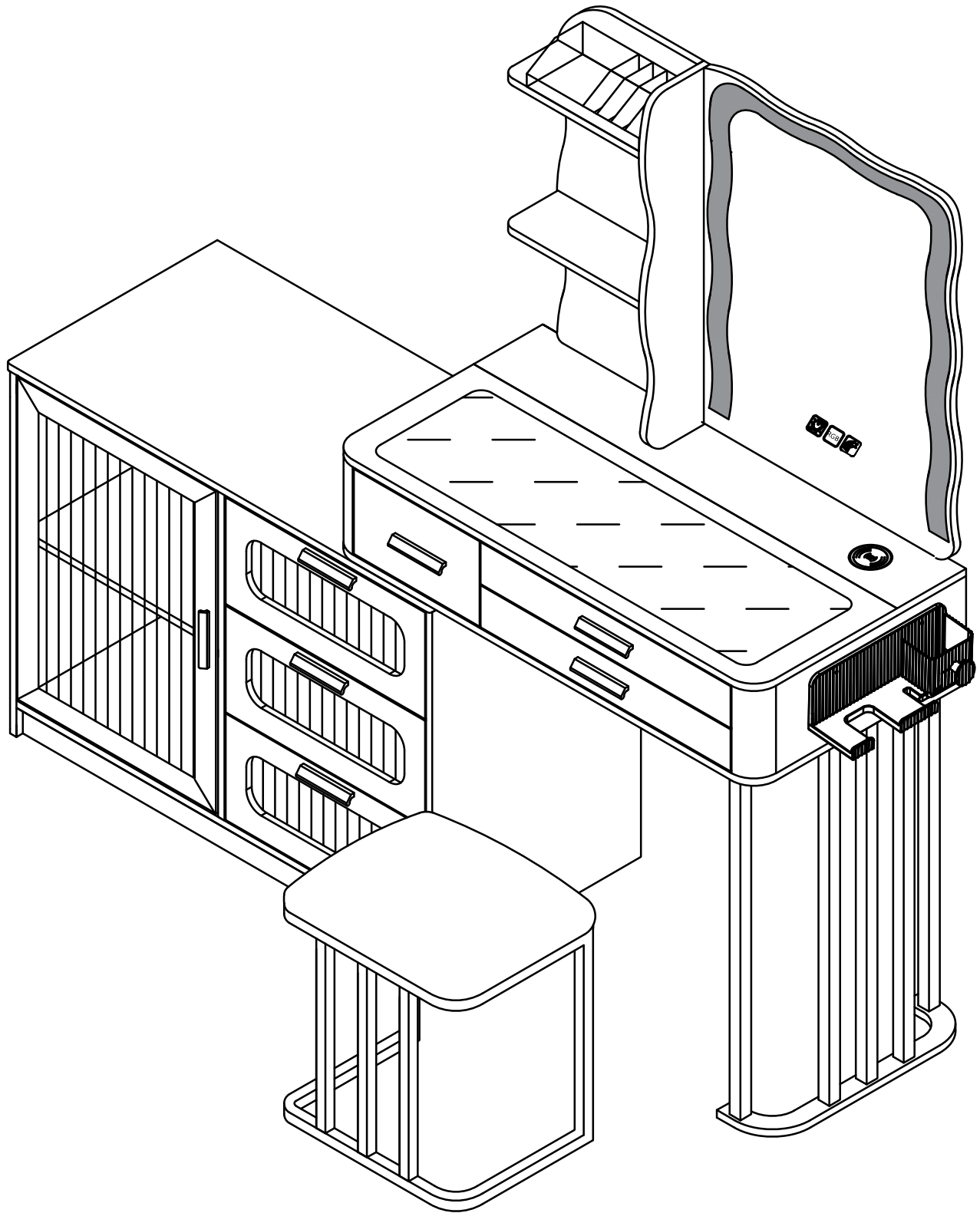
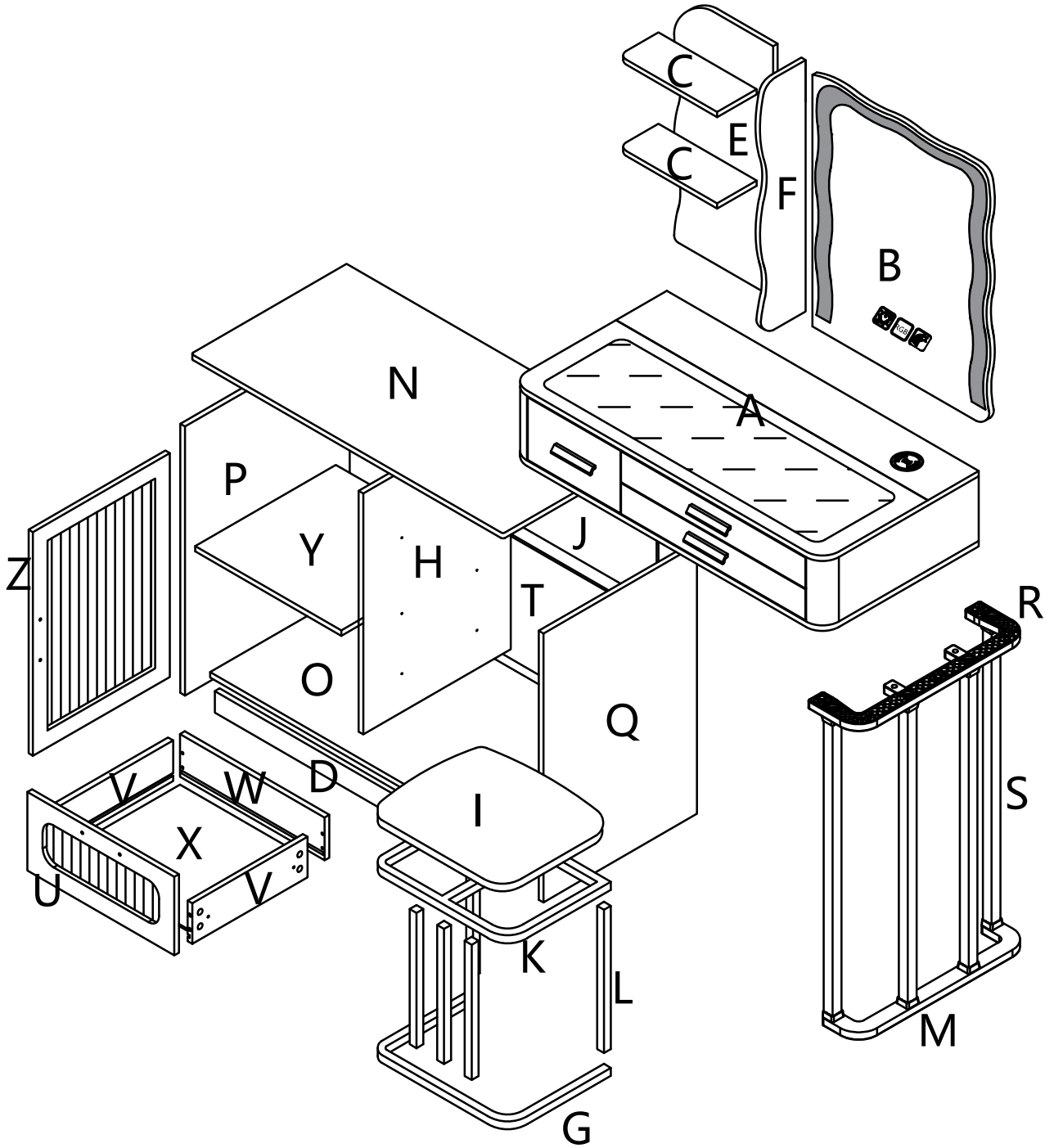


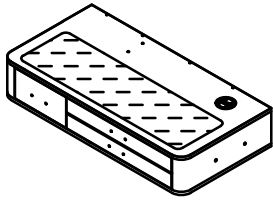
# Vanity Table Manual



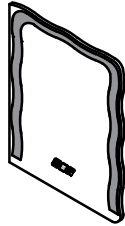
# Vanity Table Manual



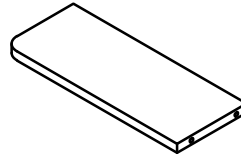
# Hardware list



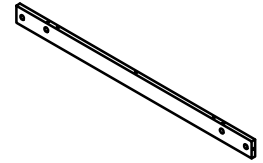
Ax1



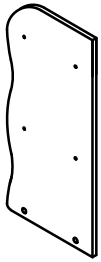
Bx1



Cx2



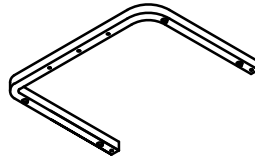
Dx1



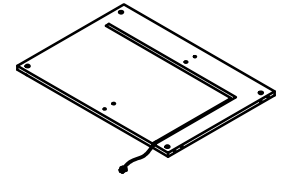
Ex1



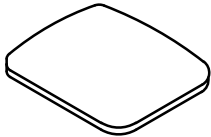
Fx1



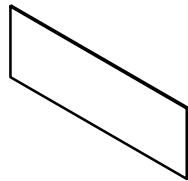
Gx1



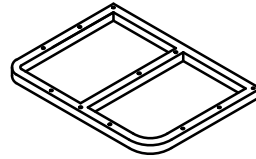
Hx1



Ix1



Jx1

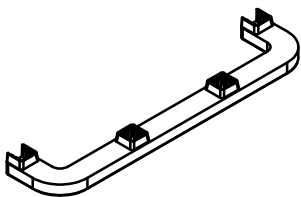


Kx1

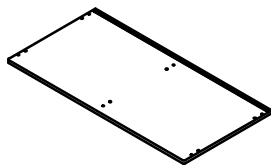


360X20X20mm

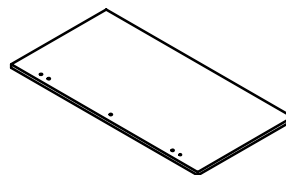
Lx5



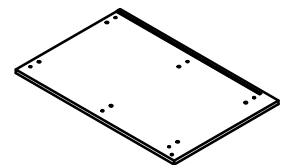
Mx1



Nx1

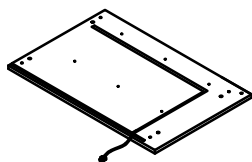


Ox1

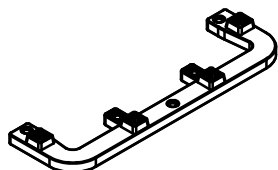


Px1

# Hardware list



Qx1

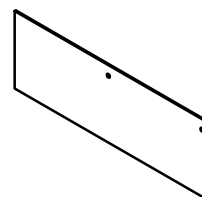


Rx1

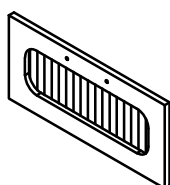


582X20X20mm

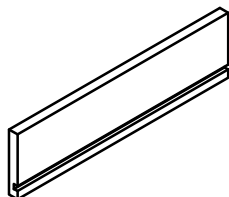
Sx4



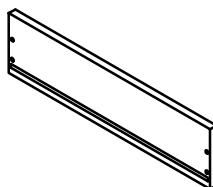
Tx1



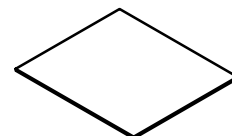
Ux3



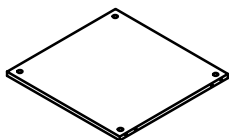
Vx6



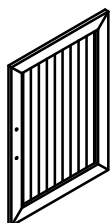
Wx3



Xx3

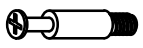


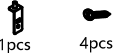
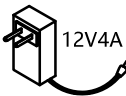









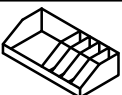











Yx1

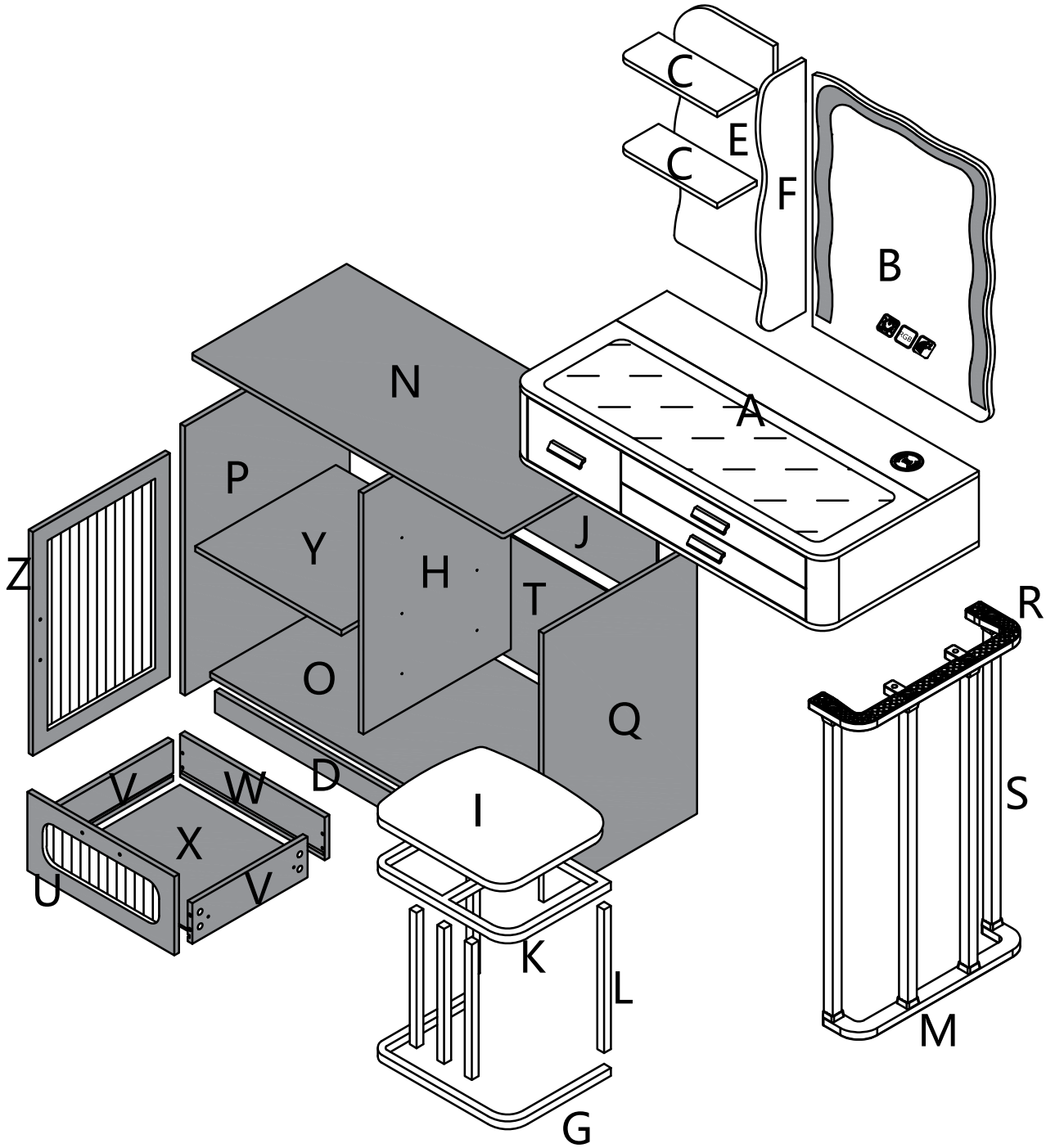


Zx1

# Accessories list

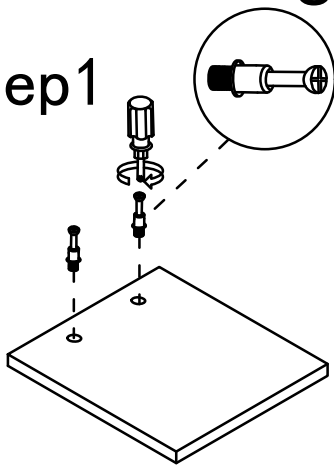
①		Two in one screw (6x28mm)	61 Pcs
②		Two in one nut (10x12mm)	61 Pcs
③	 1pcs 2pcs	Cross machine wire (4x16mm)	4 Pcs
④	 1pcs 4pcs	Countersunk head tapping screw(3x12mm)	2 Pcs
⑤	 12V4A	The power adapter	1 Pcs
⑥		Wood chipping (6x30mm)	18 Pcs
⑦		Remote control	1 Pcs
⑧		Hexagonal machine wire (6x28mm)	25 Pcs
⑨		Iron gasket & Self tapping screw(3.5x12)	2 Pcs
⑩		Cross screwdriver	1 Pcs
⑪		Protective sticker	2 Pcs
⑫		Back plate buckle & Screw (3x16mm)	8 Pcs
⑬	 1pcs 4pcs	Corner code(30x30x1.5)(3.5x12)	2 Pcs
⑭	 1 Pcs 2 Pcs	Acrylic hair dryer holder Hexagonal machine wire (4x16mm)	1 Pcs
⑮		Brown acrylic lipstick grid	1 Pcs
⑯		Countersunk head tapping screw (4x45mm)	1 Pcs
⑰		anti-tipping tape	1 Pcs
⑱		Countersunk head tapping screw(4x16mm) gasket	1 Pcs
⑲		Back adhesive seal PVC (Width 20mm)	1 Pcs
⑳		Foot rubber pad(50x10x2mm)	6 Pcs
㉑		Magnetic Attraction Iron Sheet Screw (3x10mm)	1 Pcs 4 Pcs 1 Pcs
㉒	 1pcs 2pcs	Cross machine wire (4x25mm)	3 Pcs
㉓		Guide& Screw (3.5x12mm)	6 Pcs 30 Pcs
㉔		Countersunk head tapping screw (4x25mm)	2 Pcs

# Vanity Table Manual

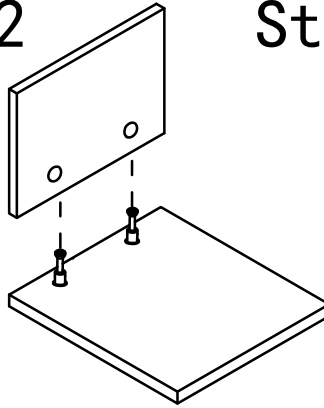


# Use parts ① and ②

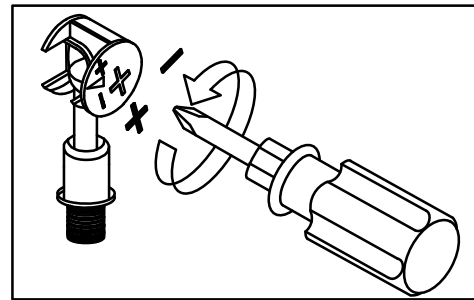
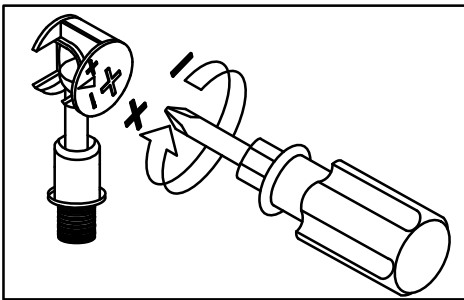
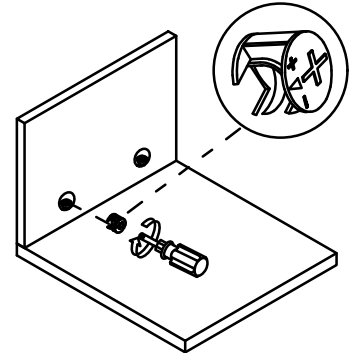
Step1



Step2

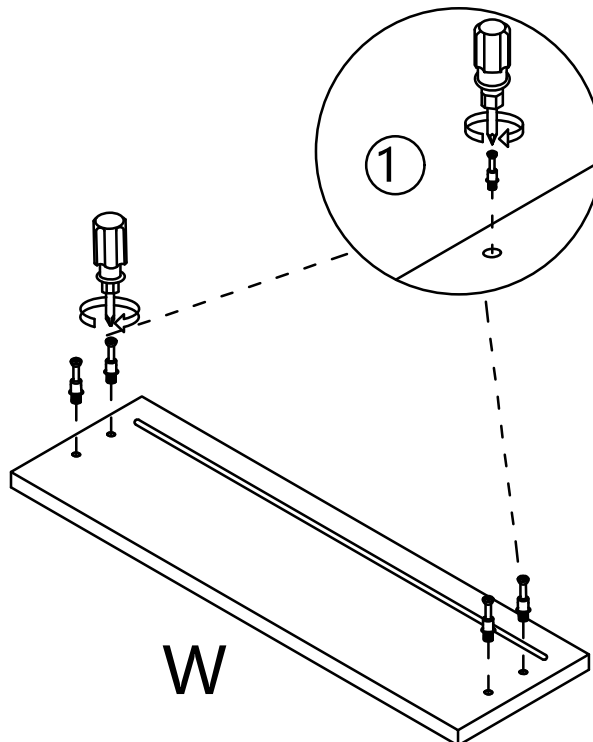
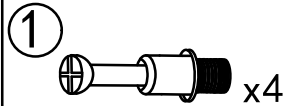


Step3



Use a screwdriver to lock in the direction of the "+" sign    Disassemble along the direction of "-" sign

Step 1



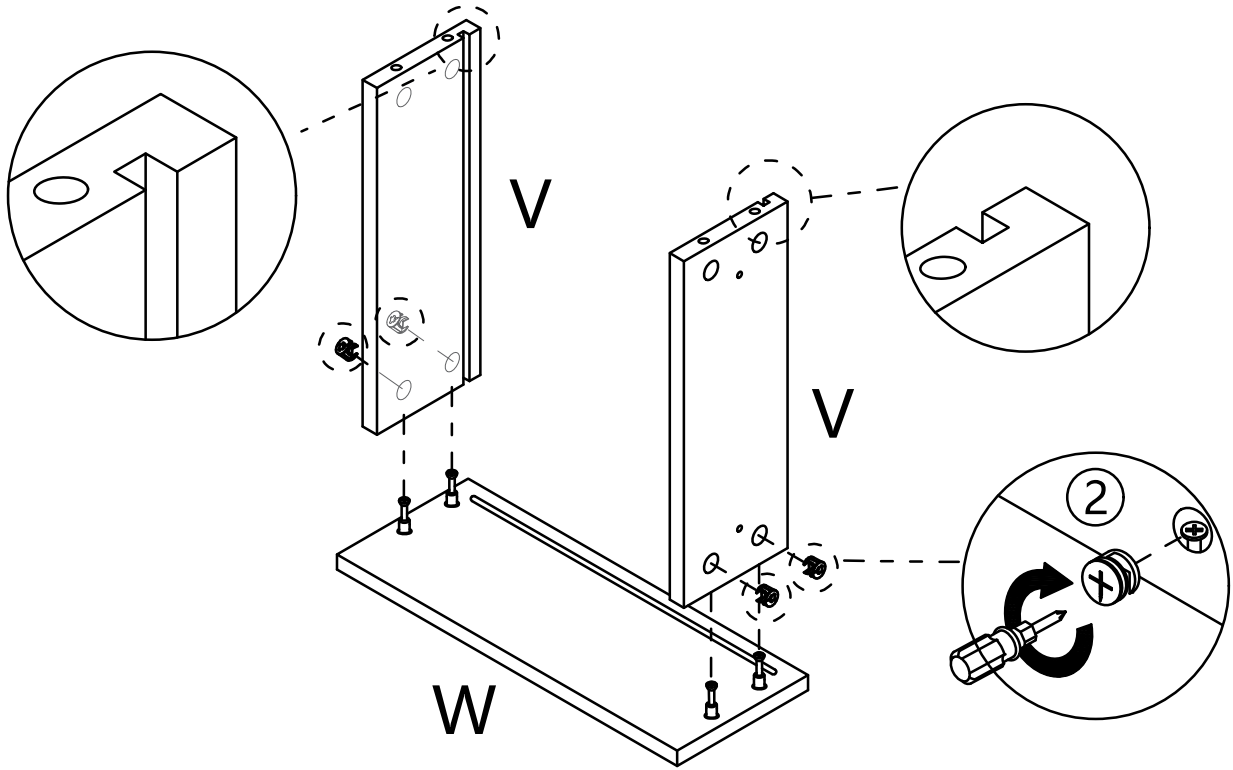
6

Step 2

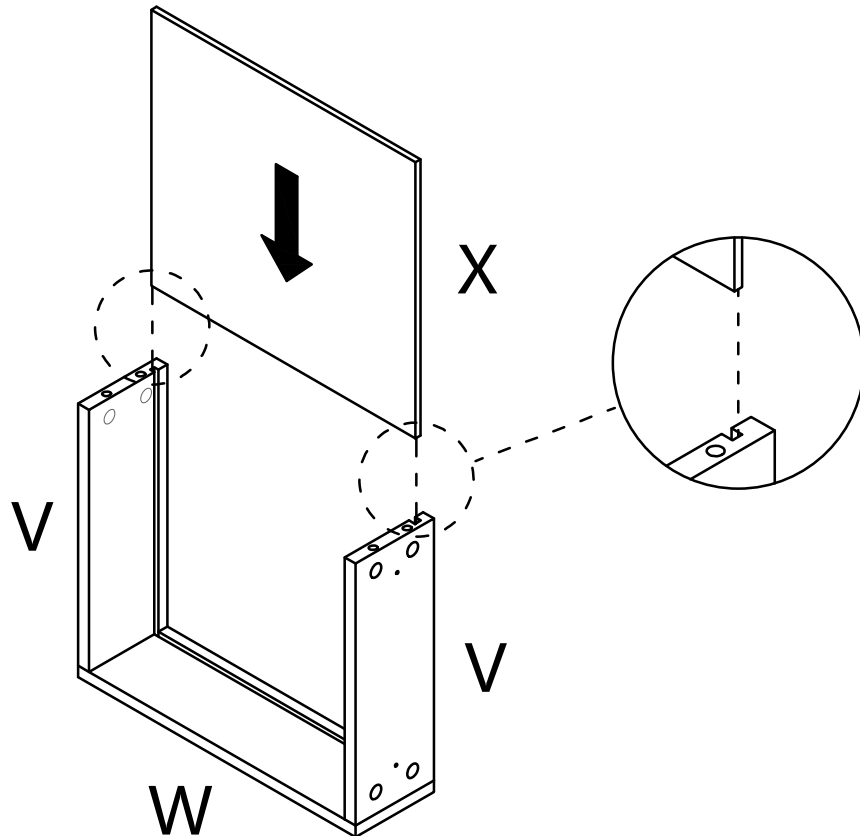
2



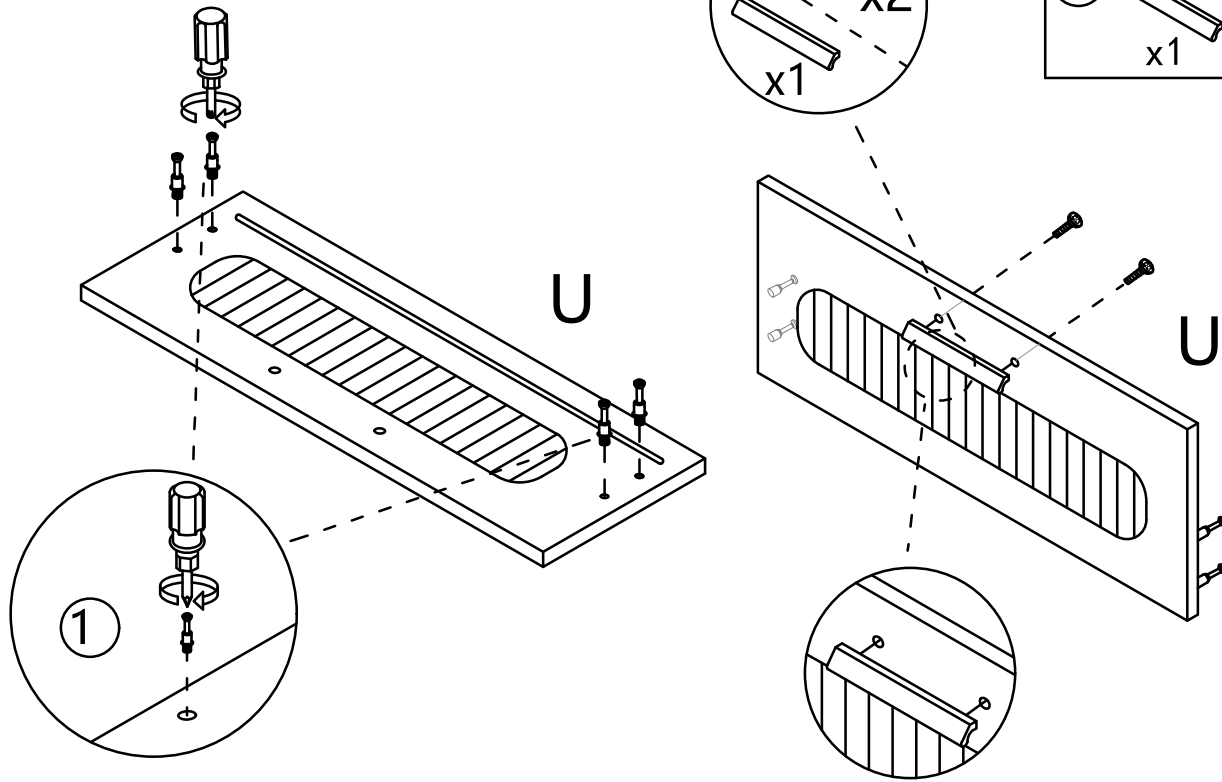
x4



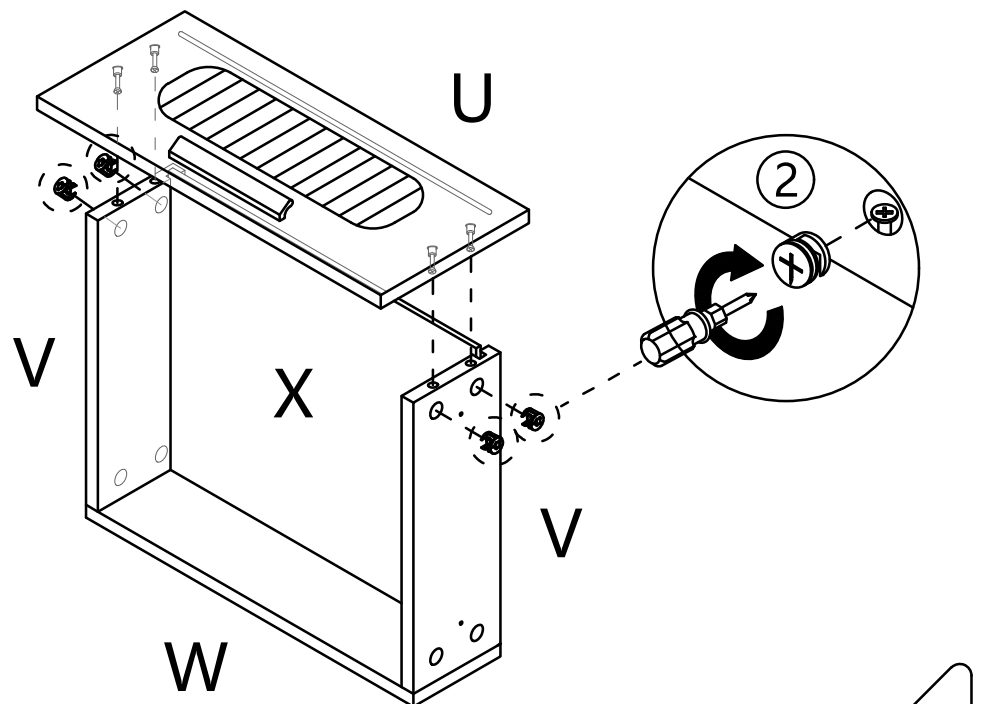
Step 3



# Step 4



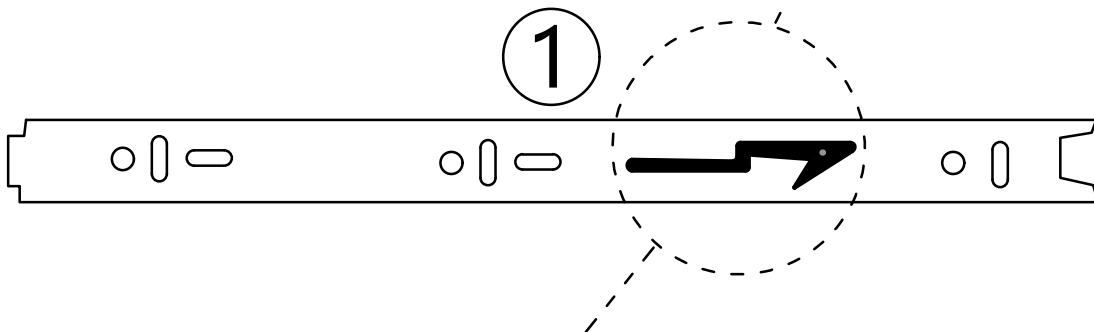
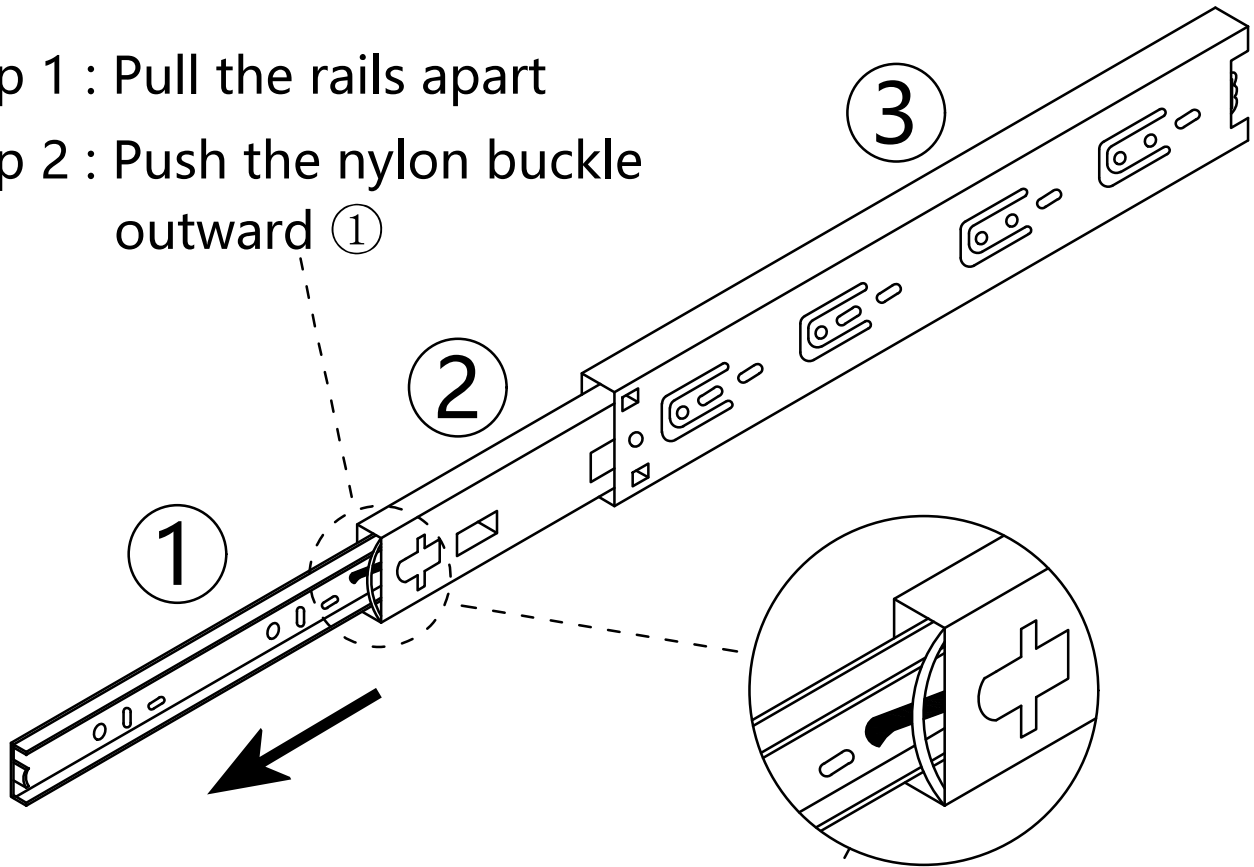
# Step 5



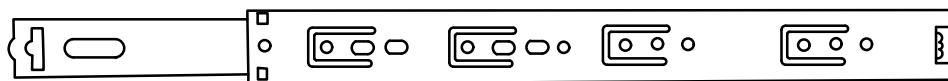
Rails Use the indicator diagram

Step 1 : Pull the rails apart

Step 2 : Push the nylon buckle outward



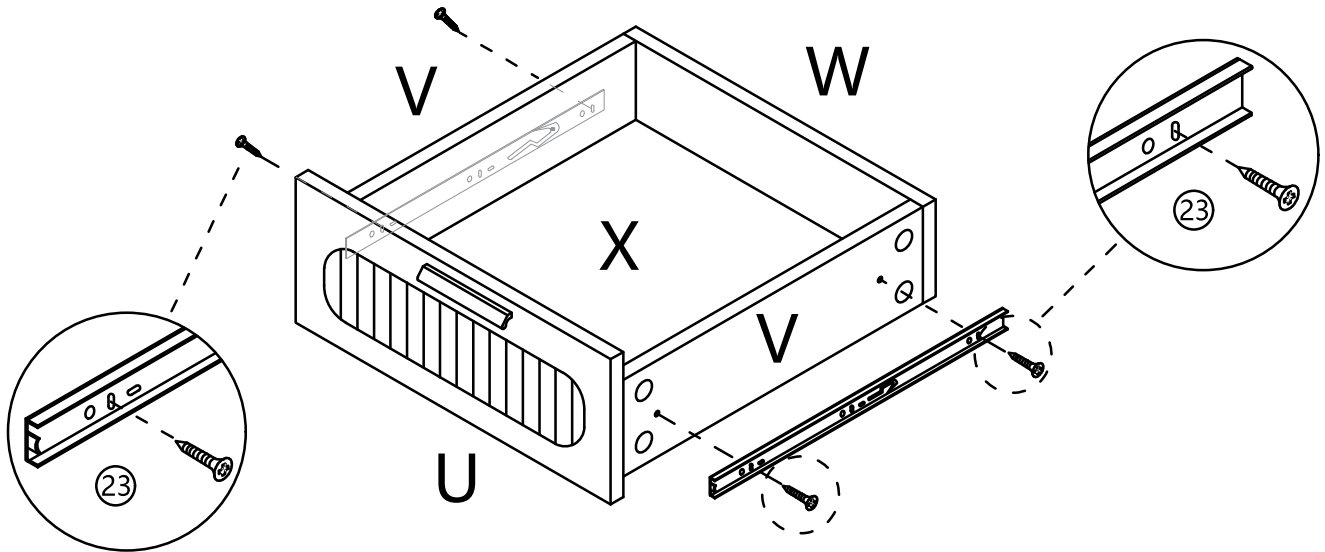
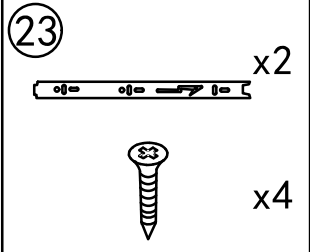
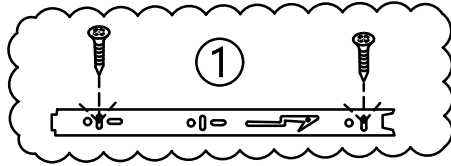
The black part is pushed down to remove the rails



2

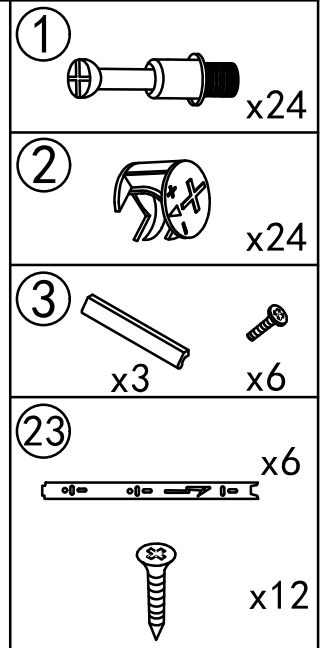
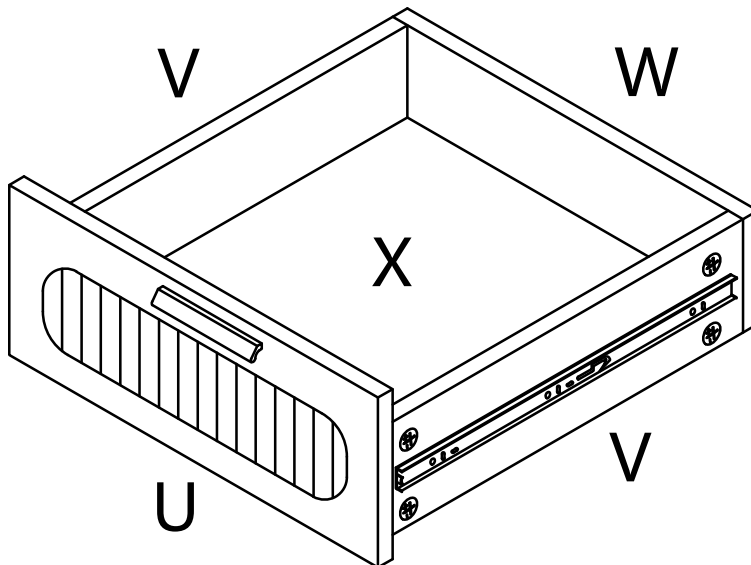
3

Step 6



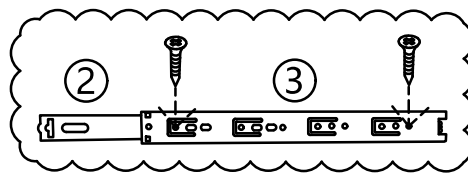
Step 7

x3



Repeat steps 1 to 7 for the drawer installation method

# Step 8



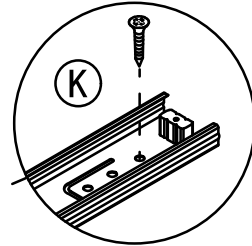
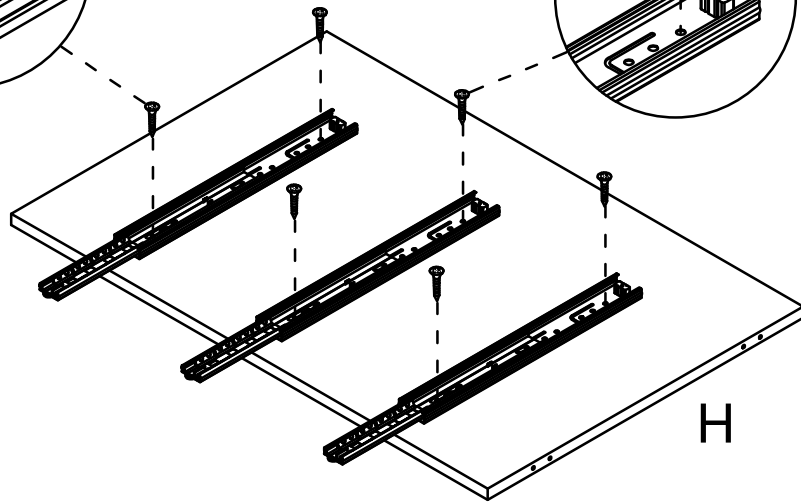
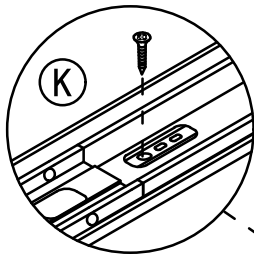
23



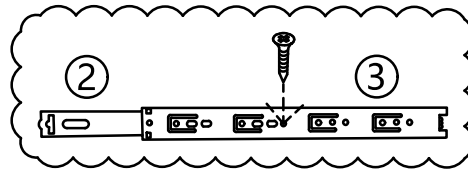
x 6



x 3



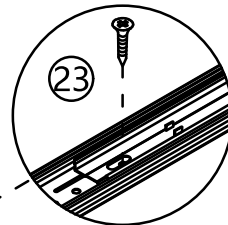
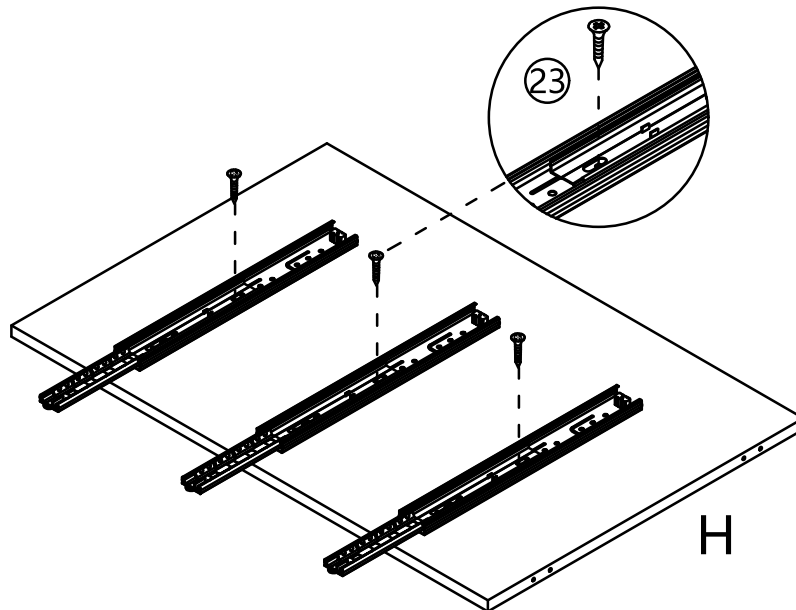
# Step 9



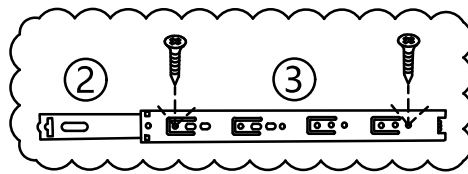
23



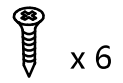
x 3



# Step 10



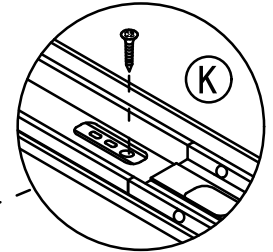
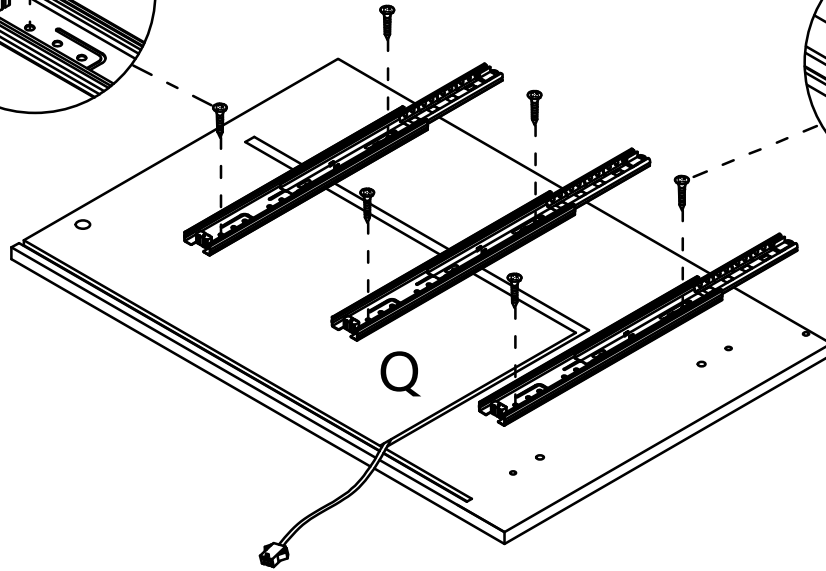
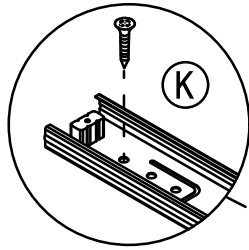
23



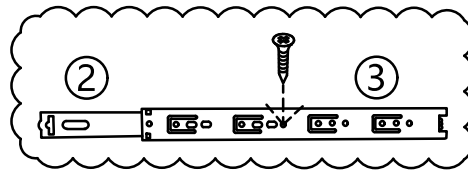
x 6



x 3



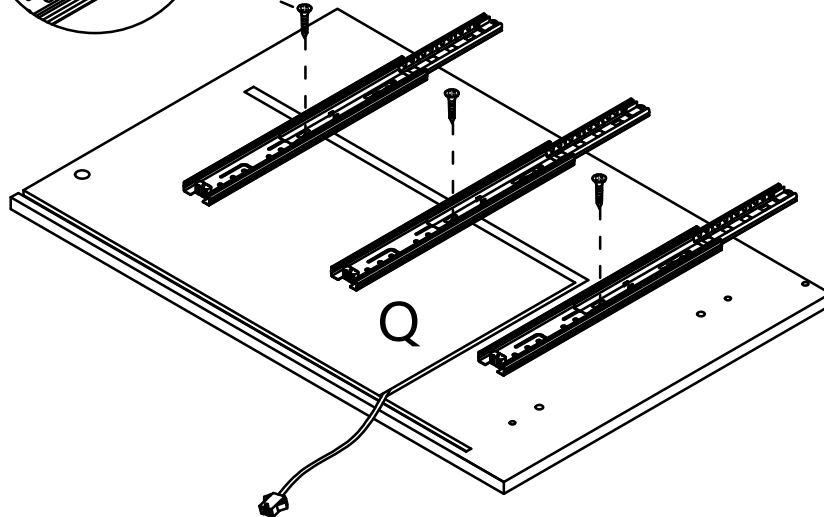
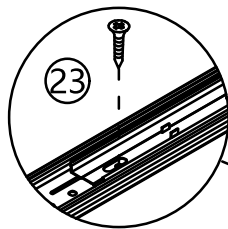
# Step 11



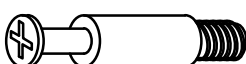
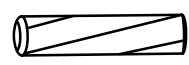
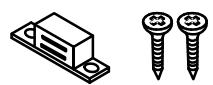
23

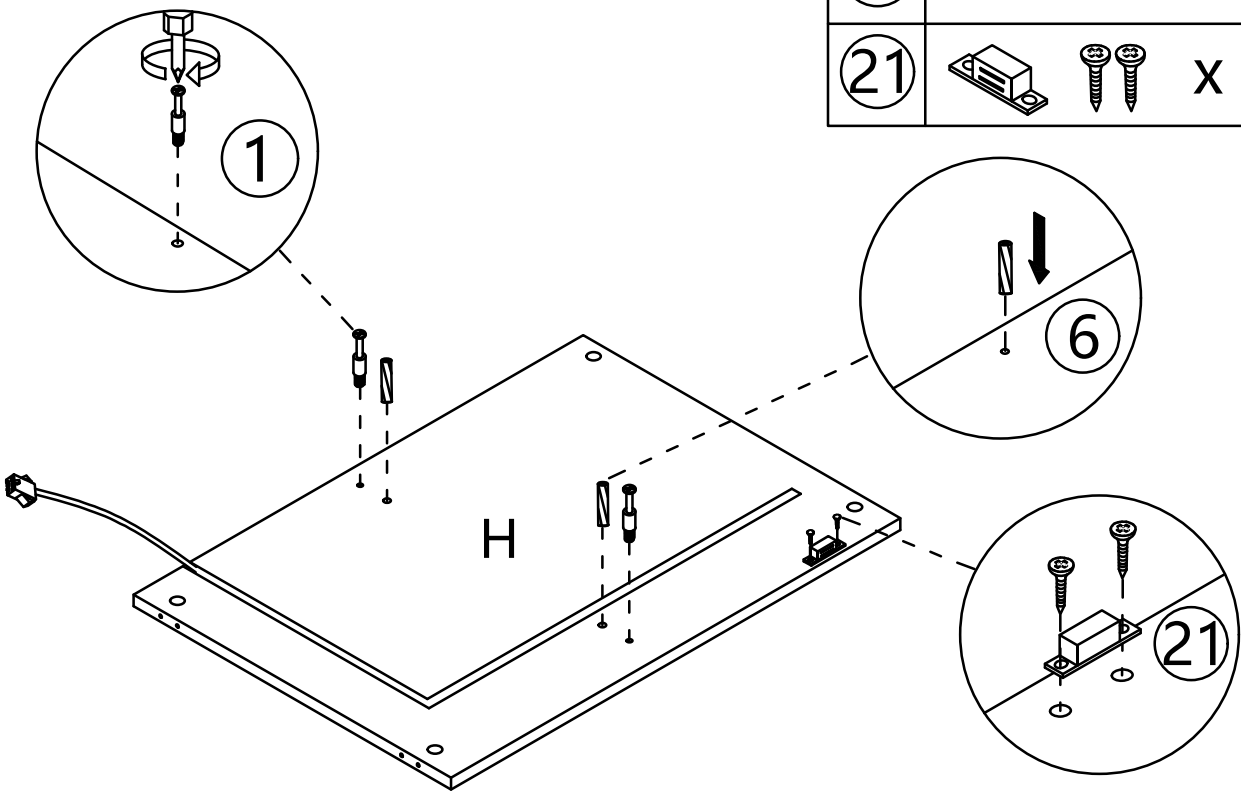


x 3



# Step 12

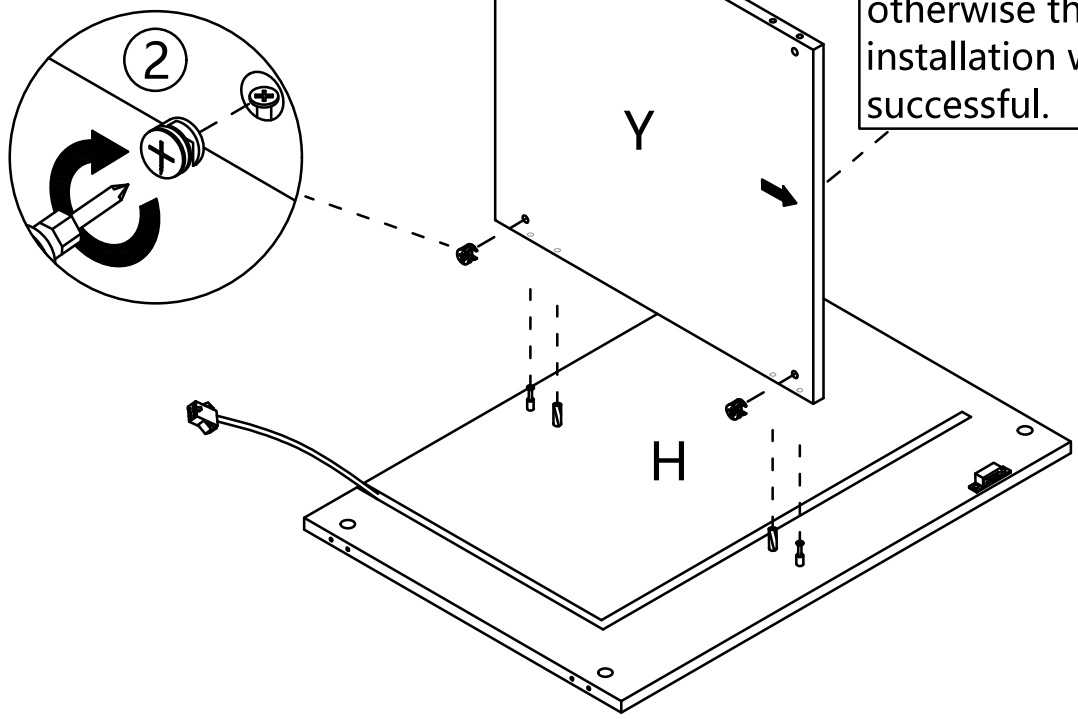
①	 x 2
⑥	 x 2
⑳	 x 1



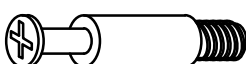
# Step 13


②	 x 2
---	---

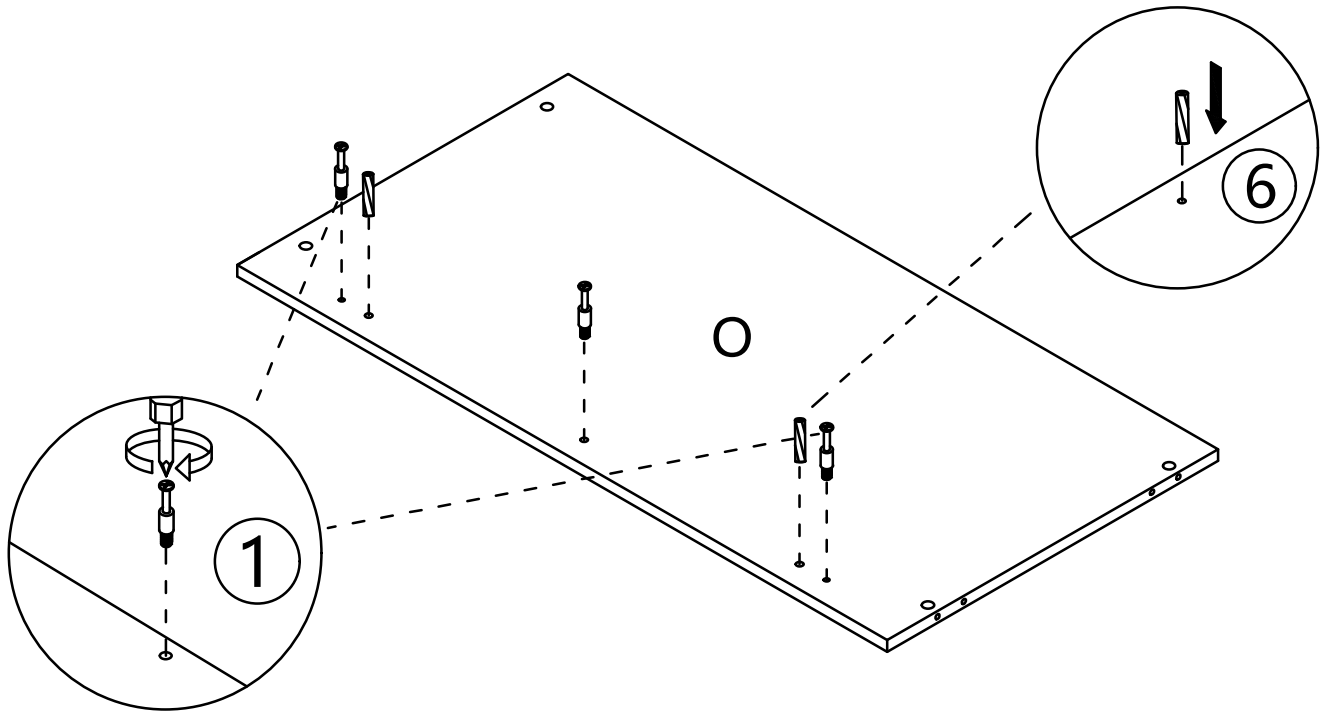
Please press the arrow direction to install, otherwise the installation will not be successful.



# Step 14

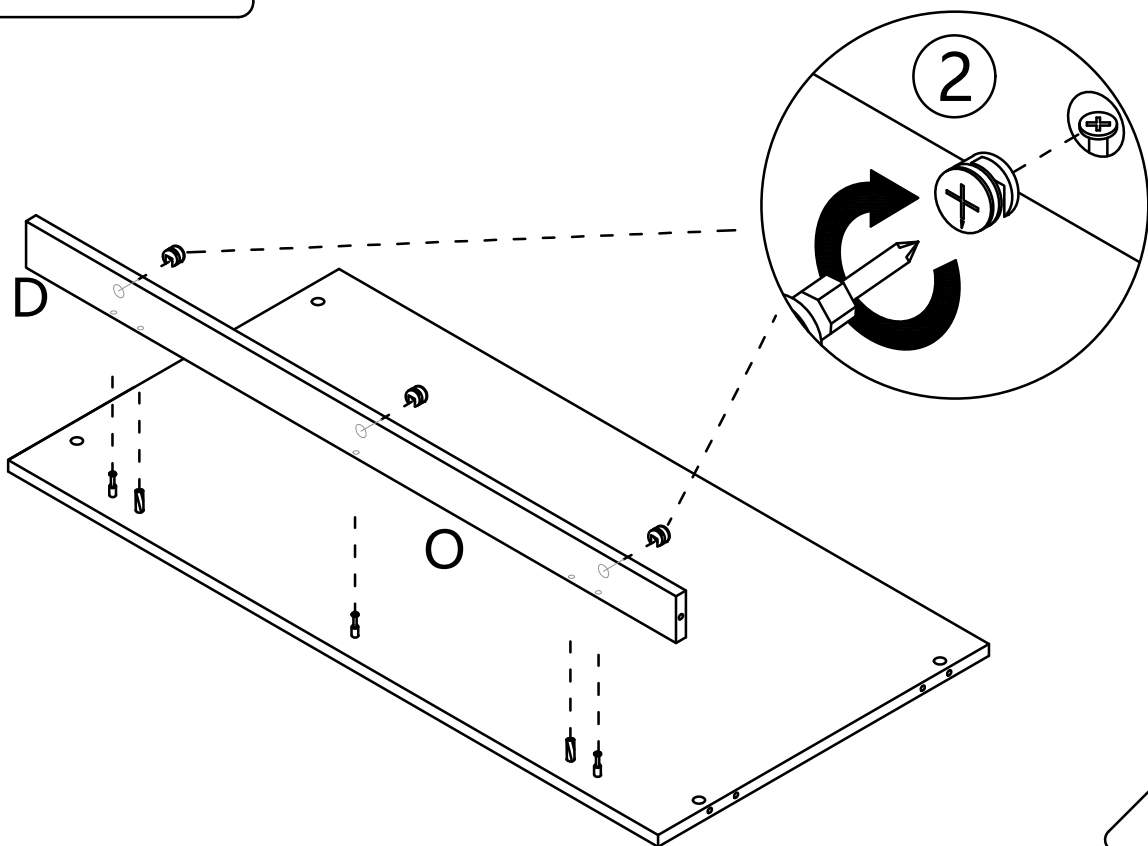
①  x 3

⑥  x 2

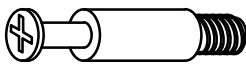


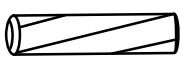
# Step 15

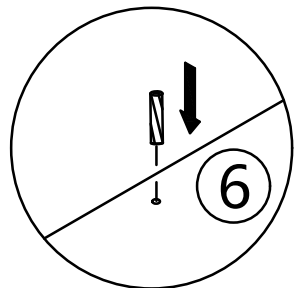
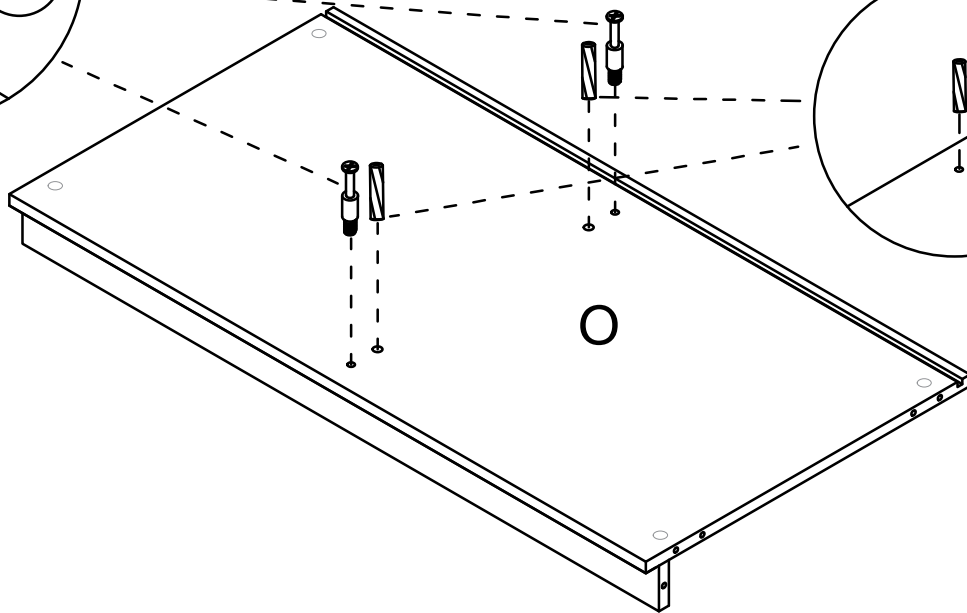
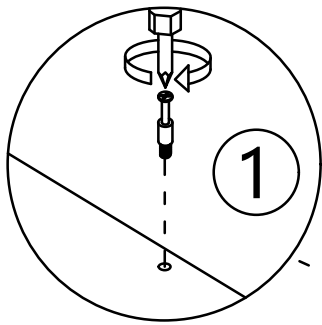
②  x 3



# Step 16

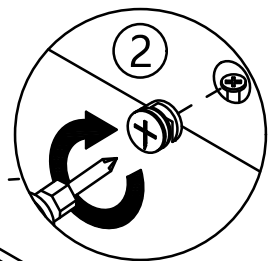
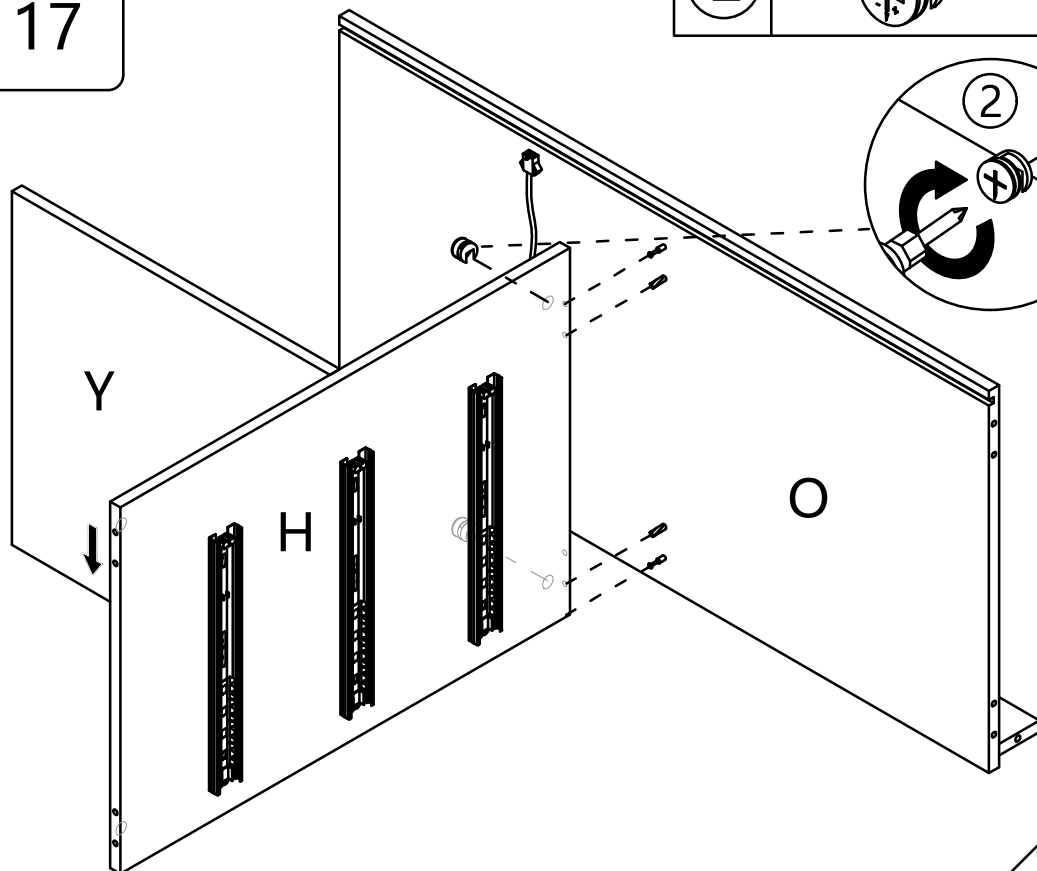
①  x 2

⑥  x 2

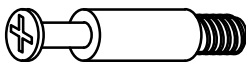


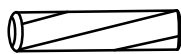
# Step 17

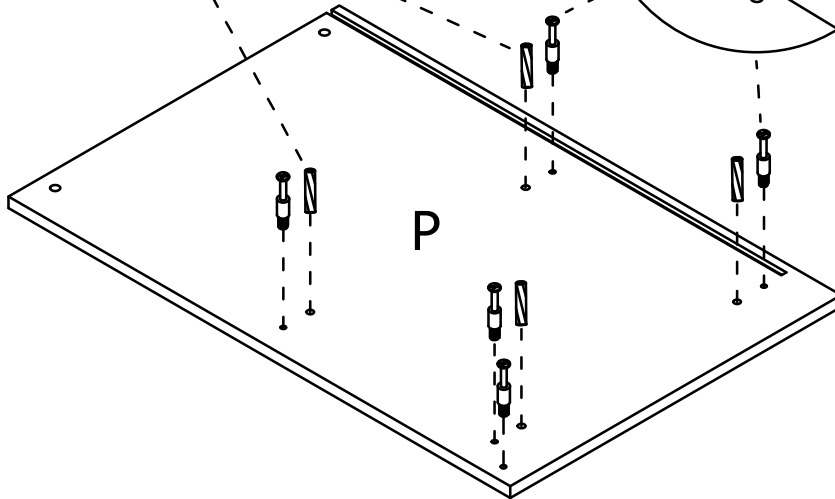
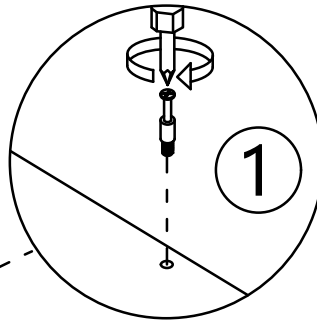
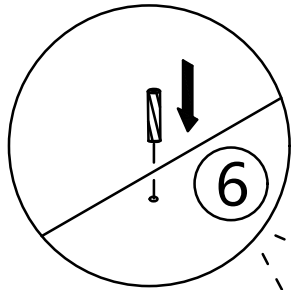
②  x 2




# Step 18

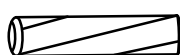
1  x 5

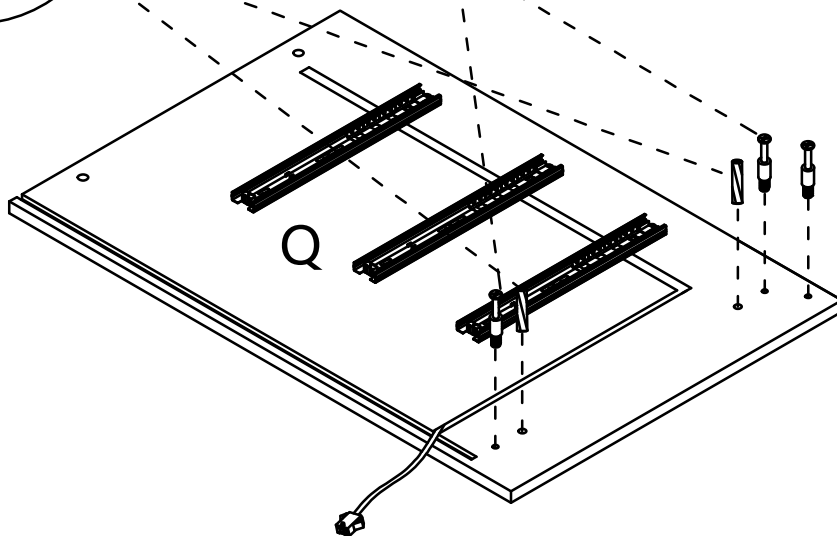
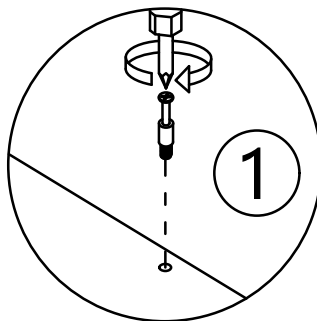
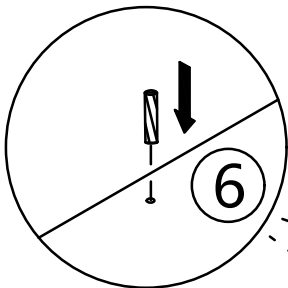
6  x 4



# Step 19

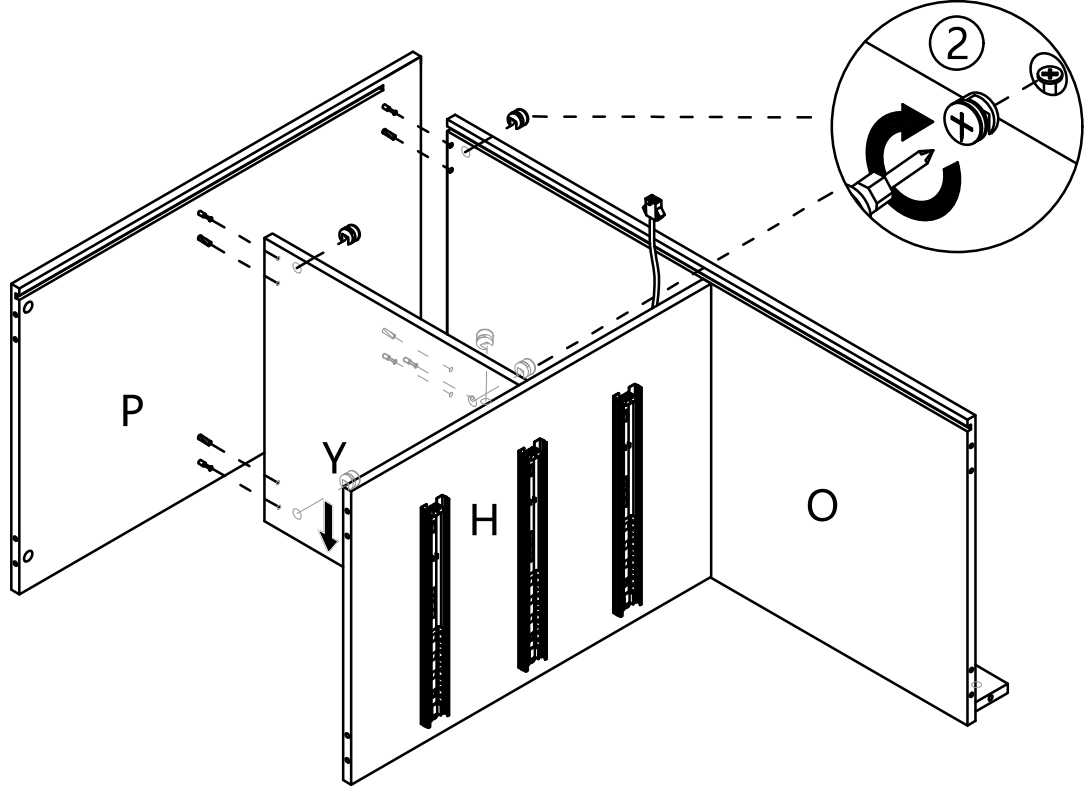
1  x 3

6  x 2



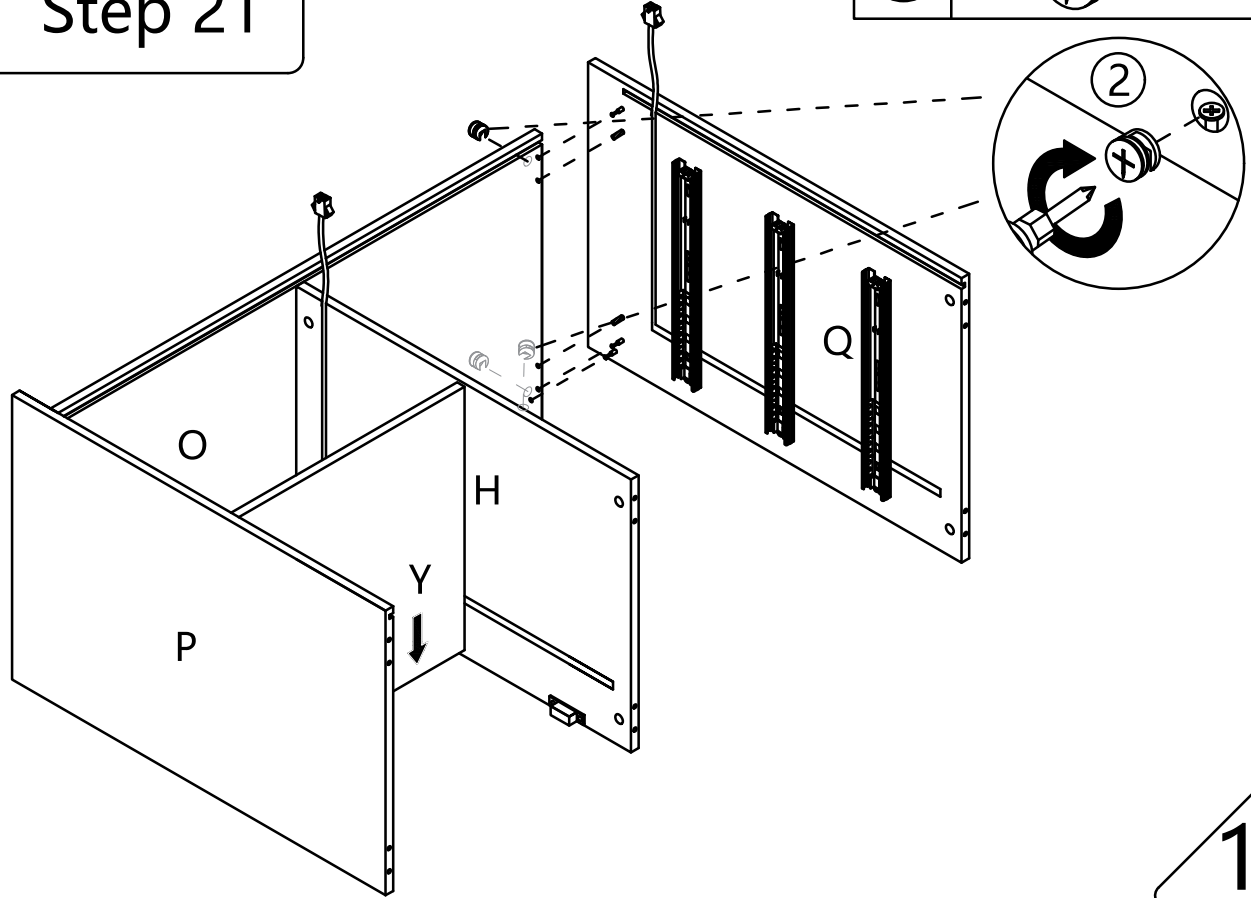
# Step 20

2  x 5

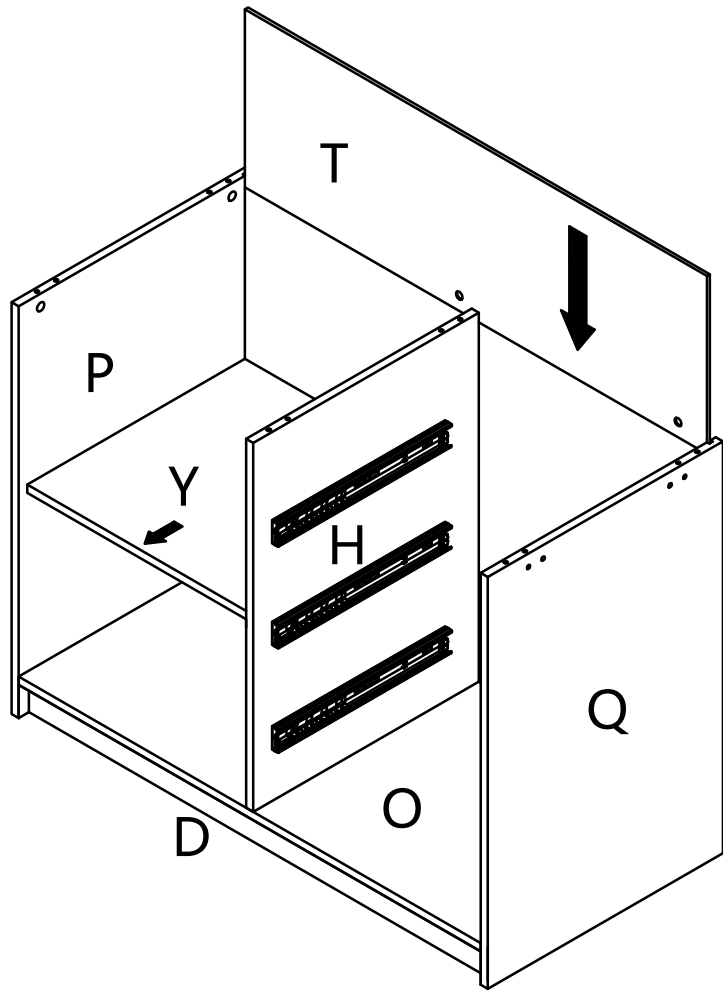


# Step 21

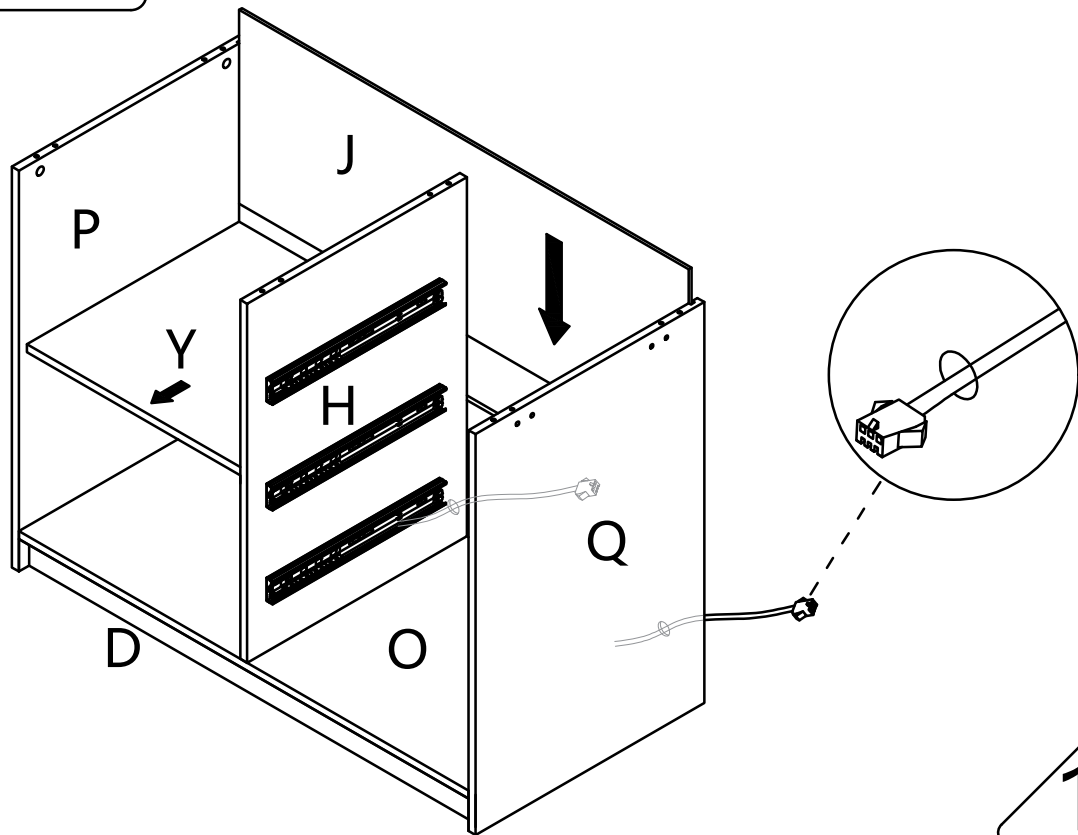
2  x 3



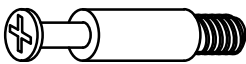
# Step 22

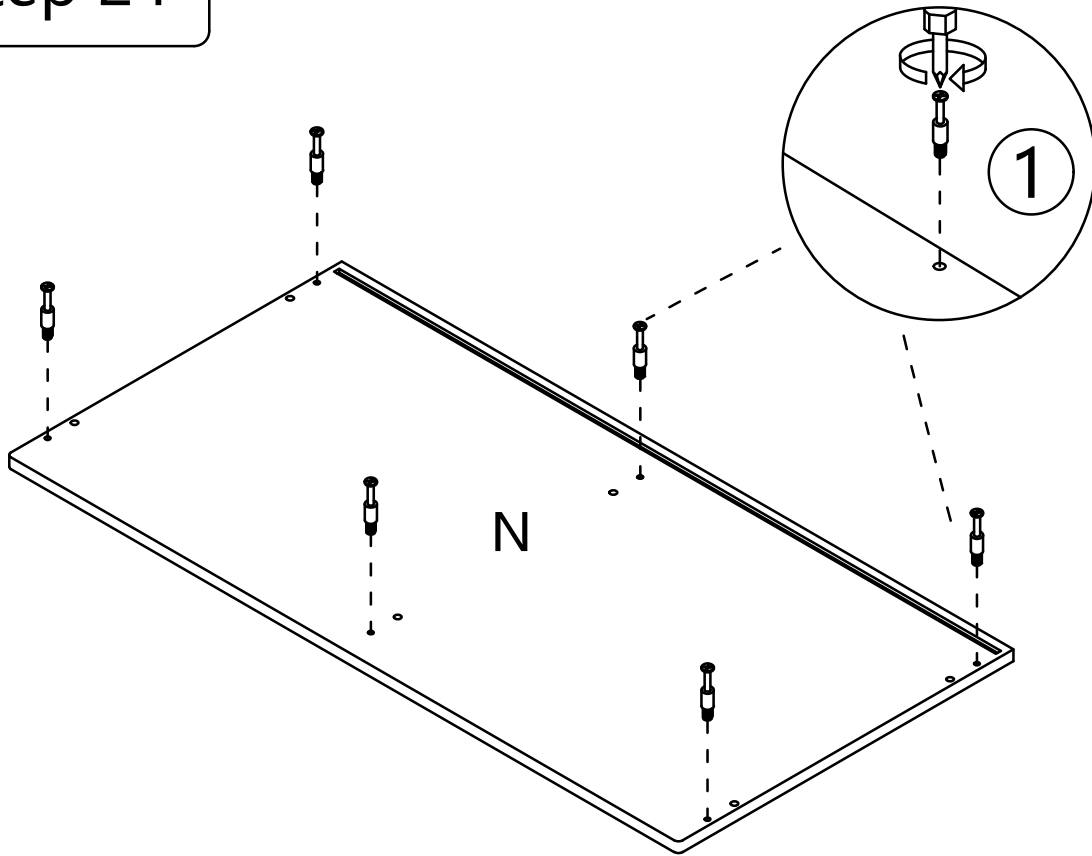


# Step 23



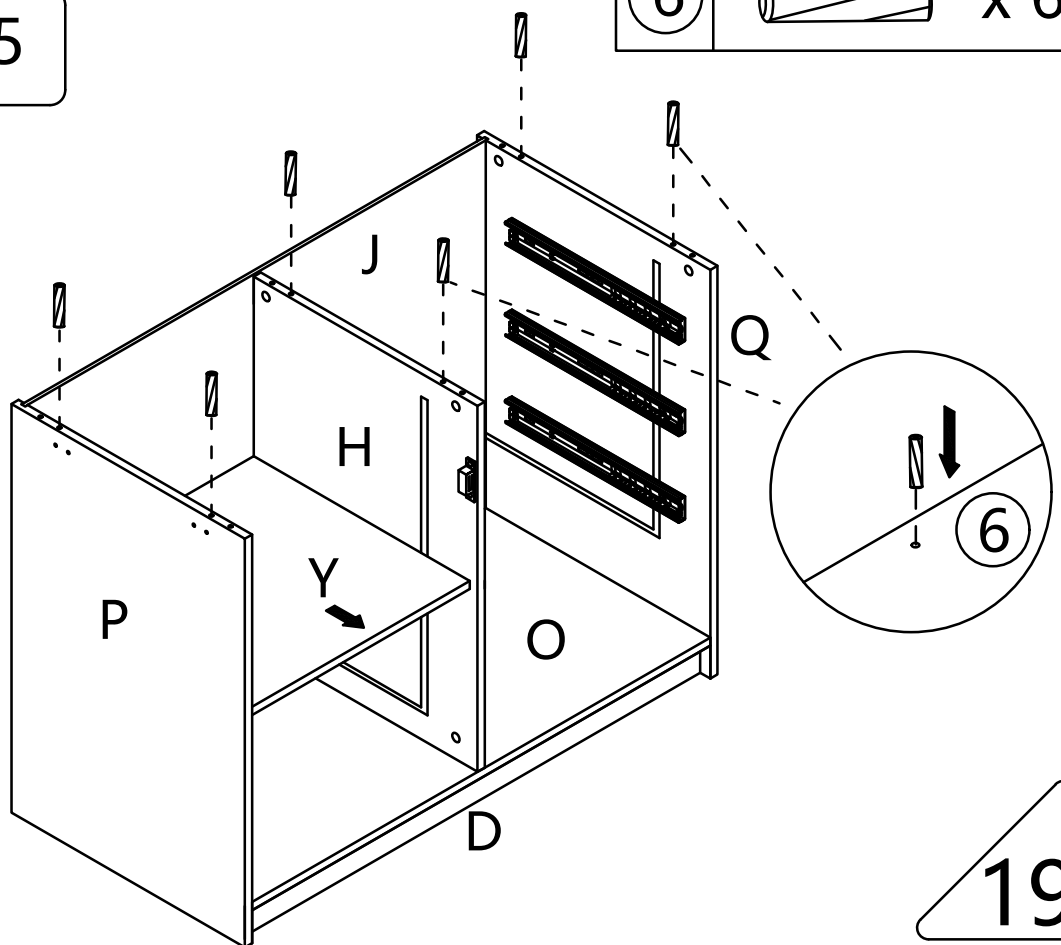
# Step 24

1  x 6



# Step 25

6  x 6

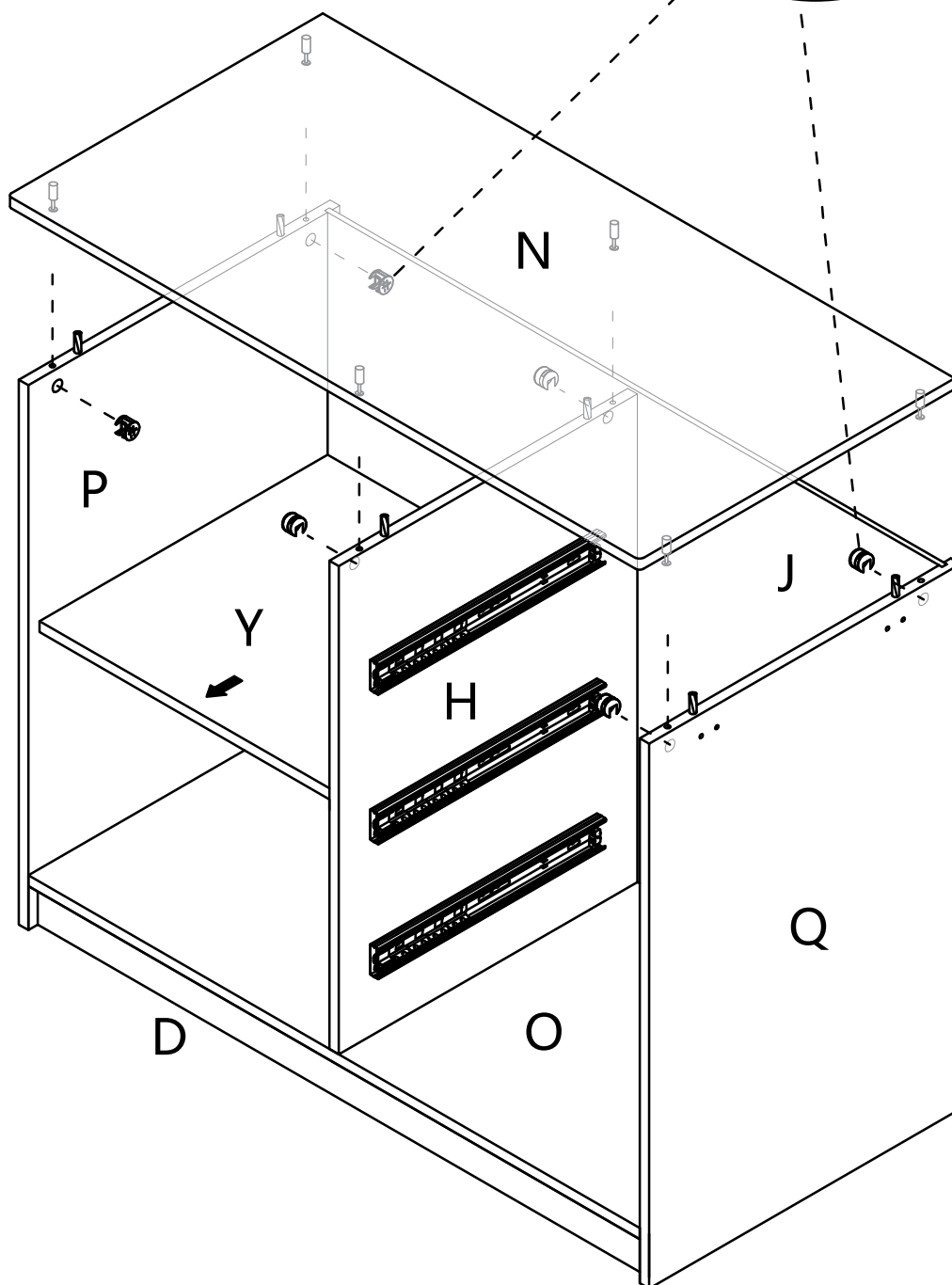
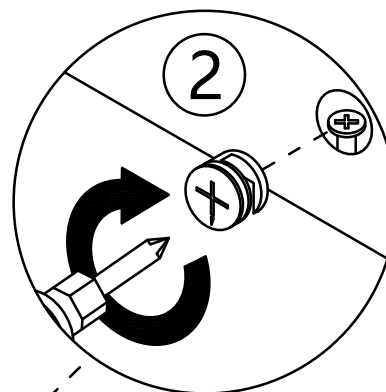


# Step 26

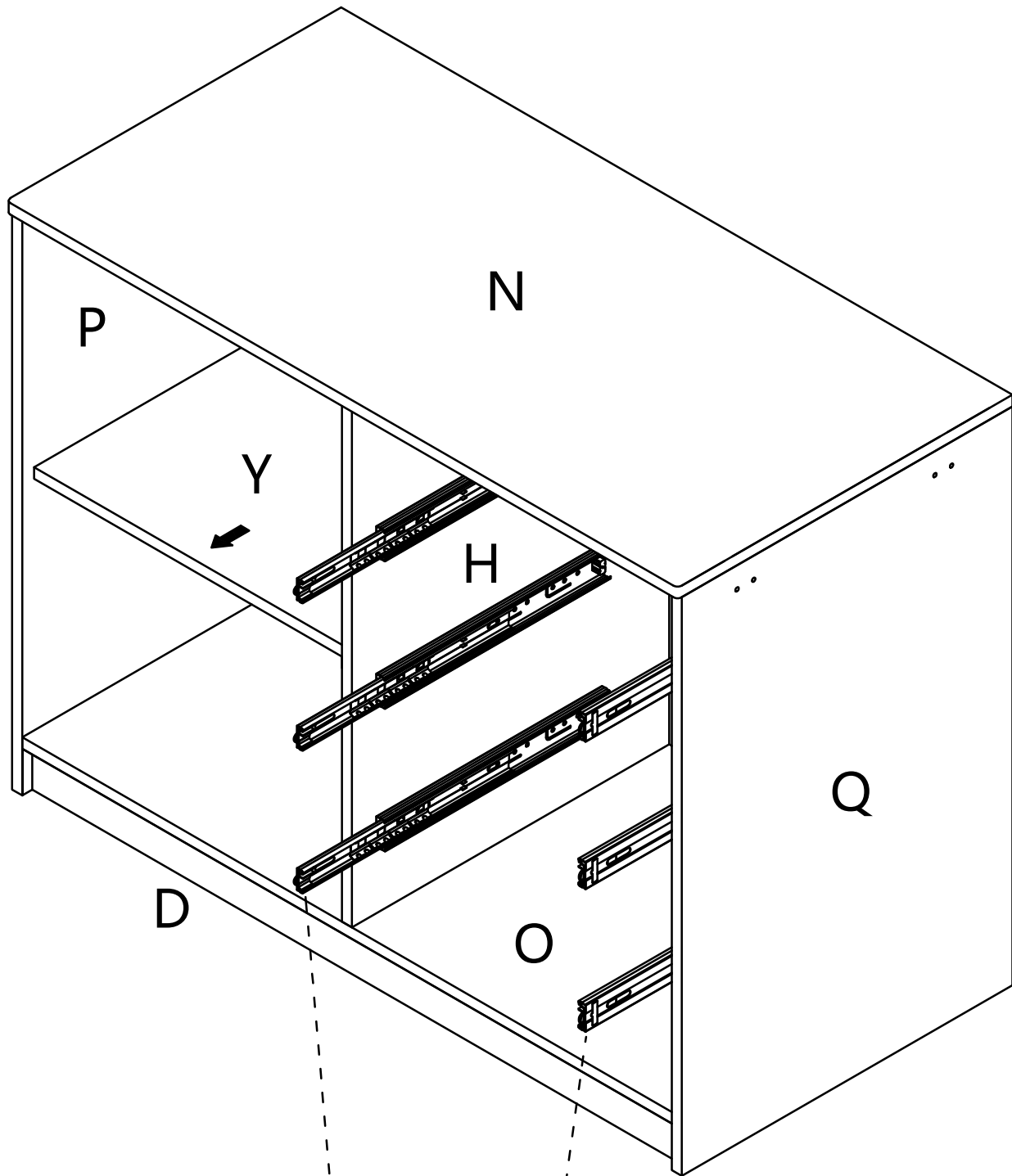
2



x 6

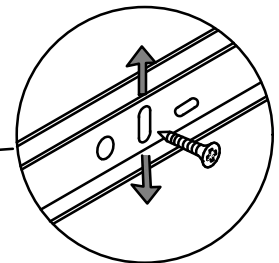
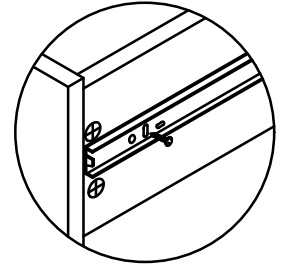
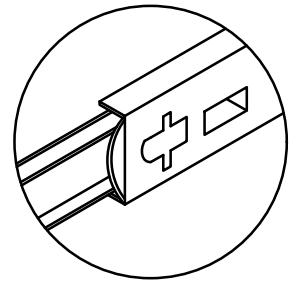
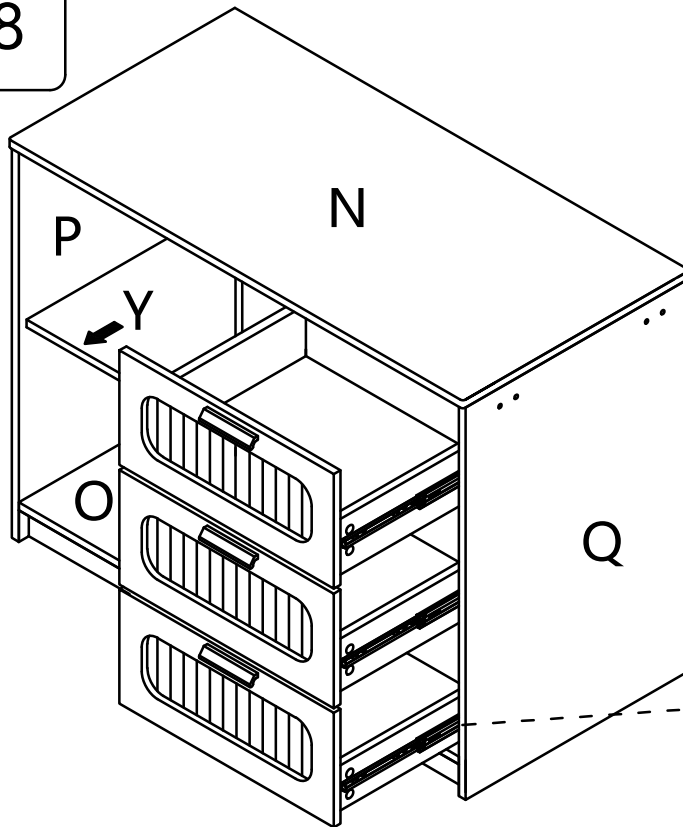


# Step 27



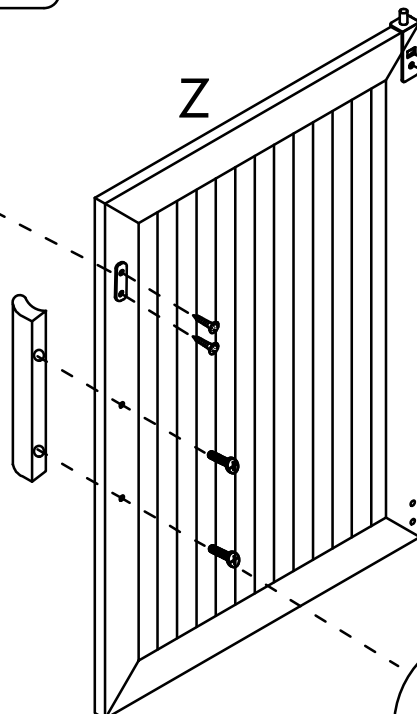
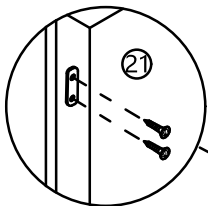
As shown, When installing the drawer, pull the guide rail out first, Slide beads are also pulled out.

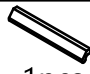
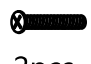






# Step 28

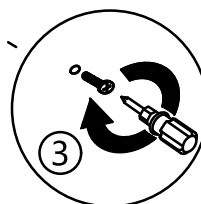
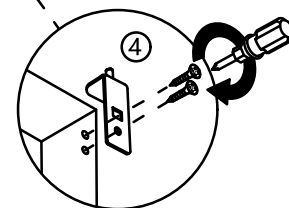


If a large gap is found after installing the drawer the slide rail can be moved up and down to adjust the gap


# Step 29

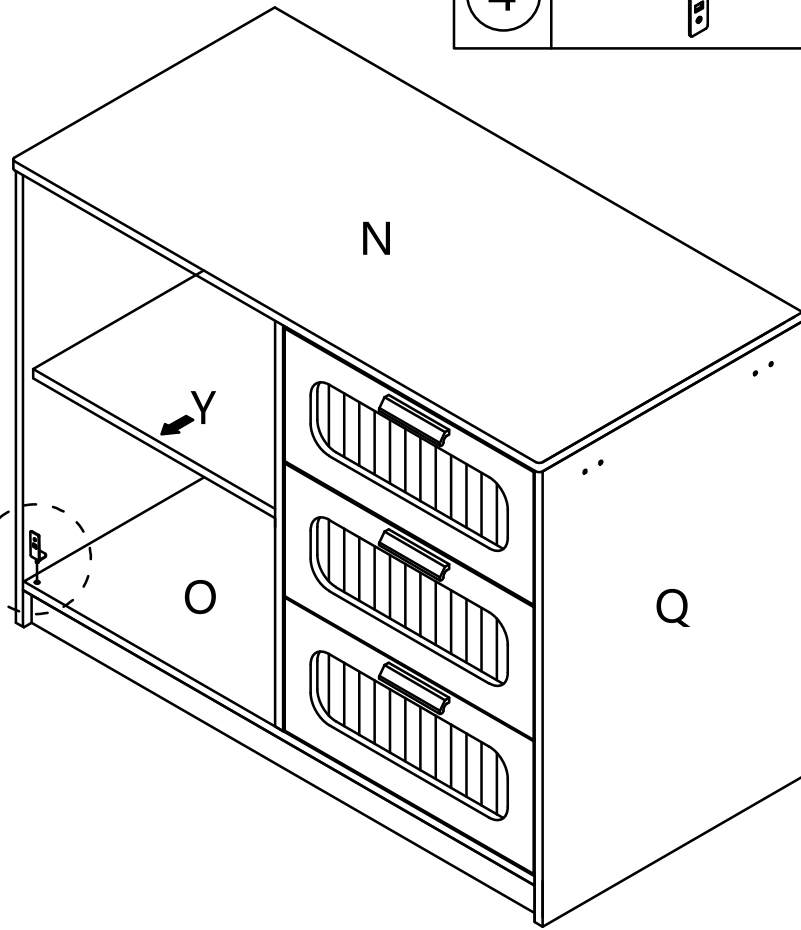
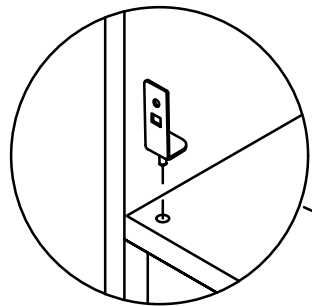


3	 1pcs	 2pcs	X 1
4		 X 1  X 1	X 1
21		 X 1  X 1	X 1

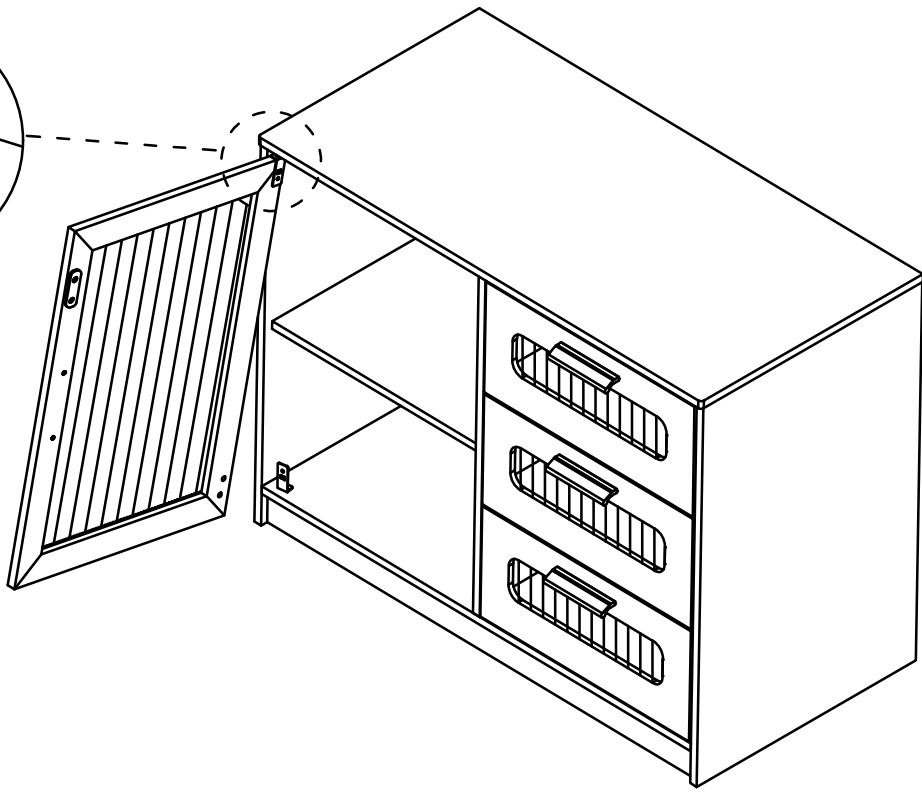
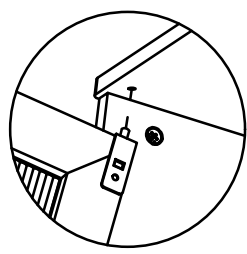


# Step 30


4  x 1

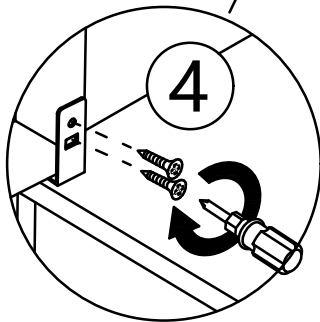
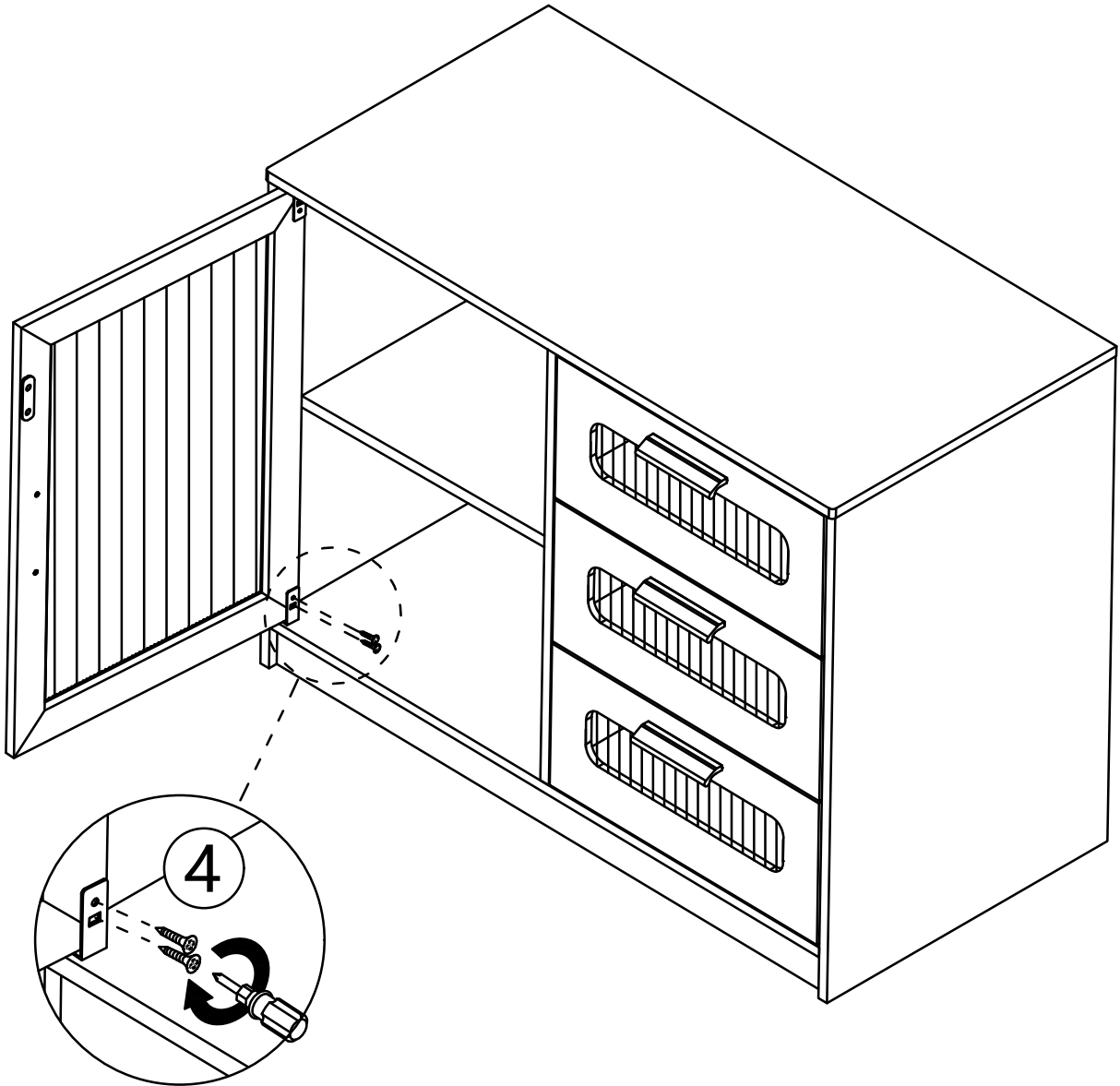


# Step 31



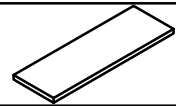
# Step 32

4  4pcs x 2



# Step 33

20



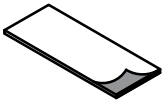
x 6

19



x 1

20



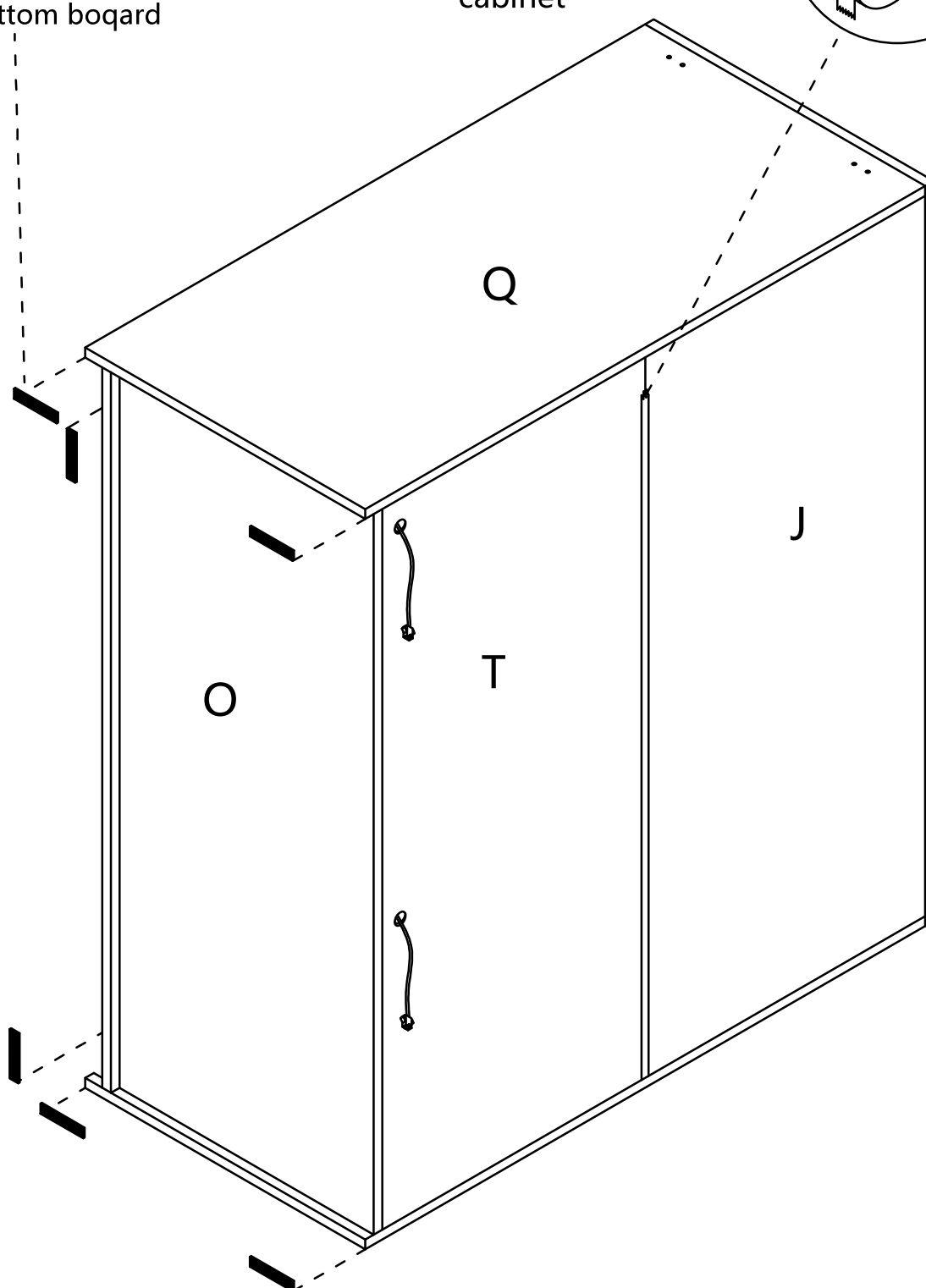
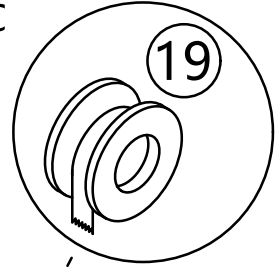
x6

Tear off release paper and stick the black foot pad on the board

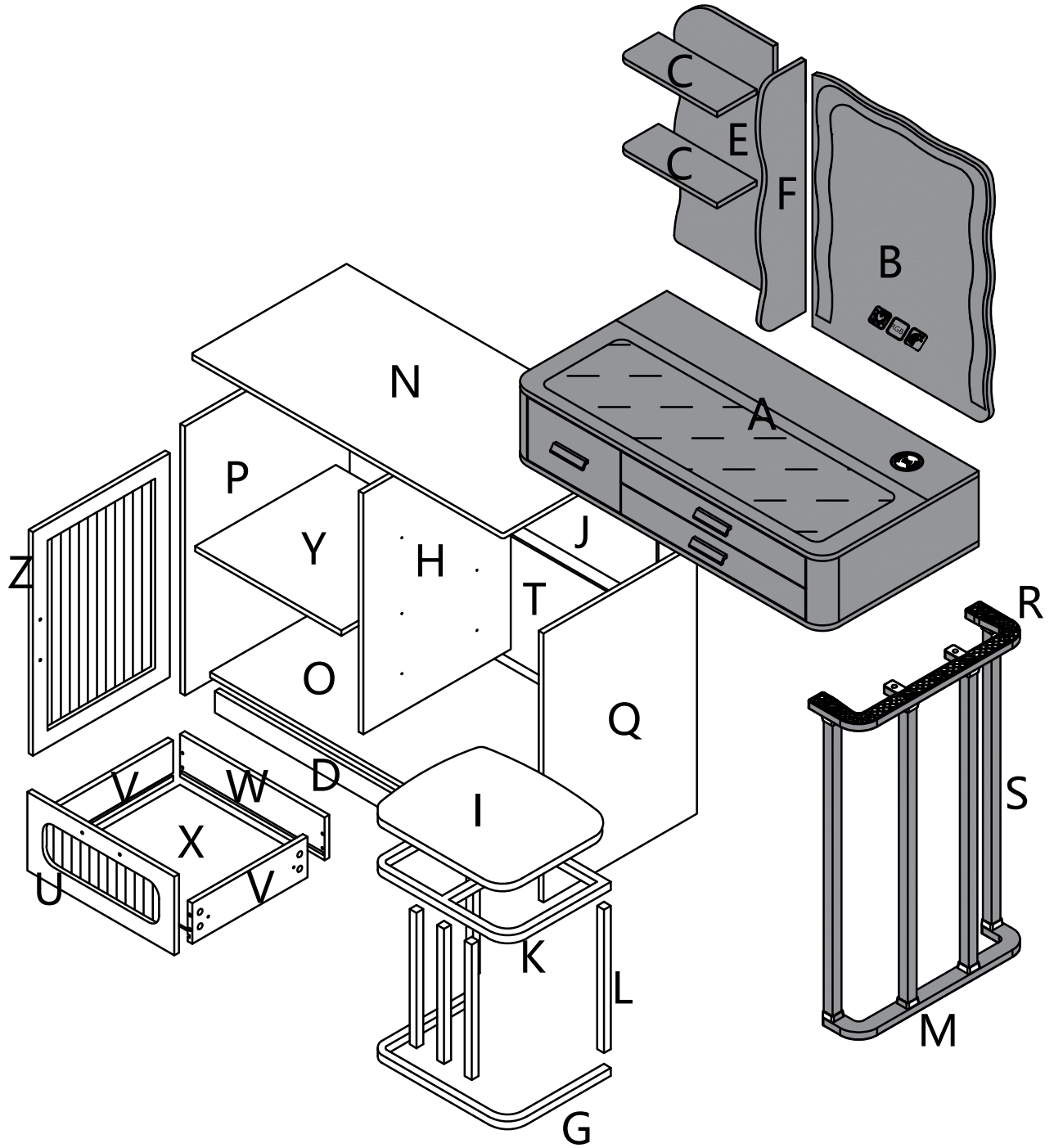
Stick two T accessories on the bottom board

Install the sealant PVC and attach it to the gap in the back plate of the secondary cabinet

19

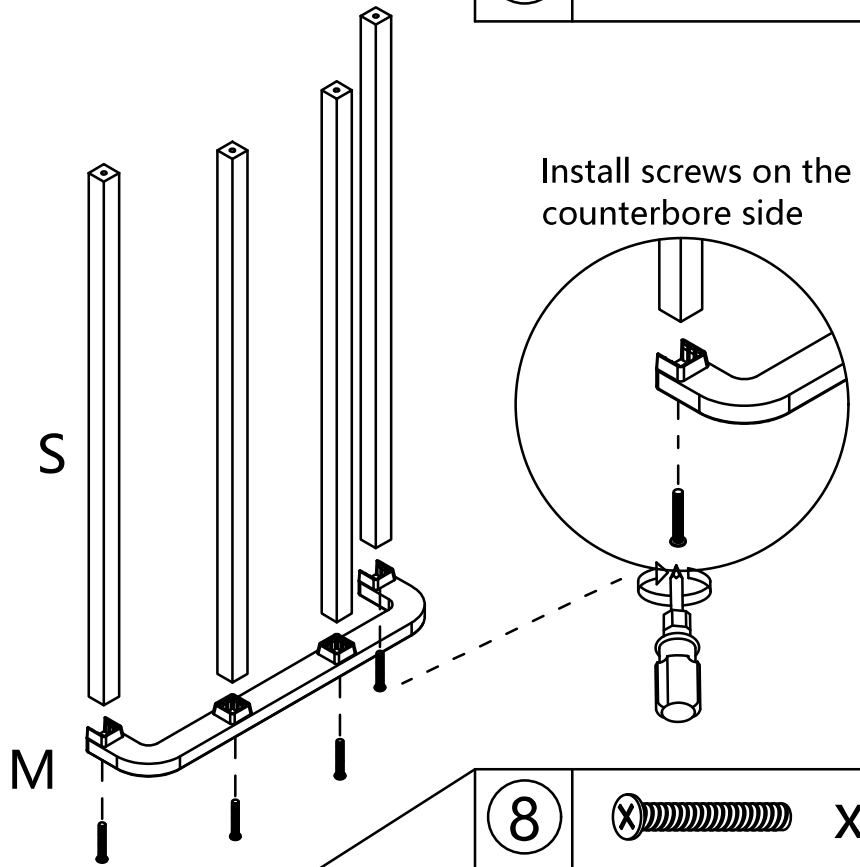


# Vanity Table Manual



# Step 34

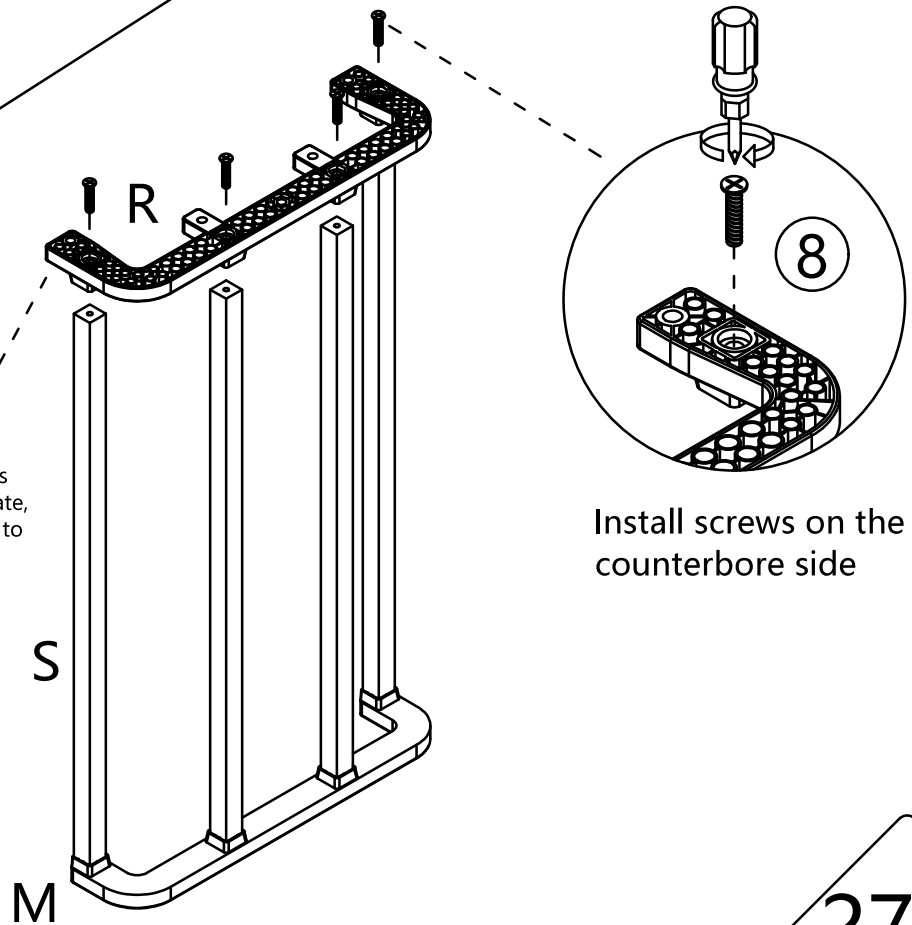
8  x 4



8  x 4



# Step 35

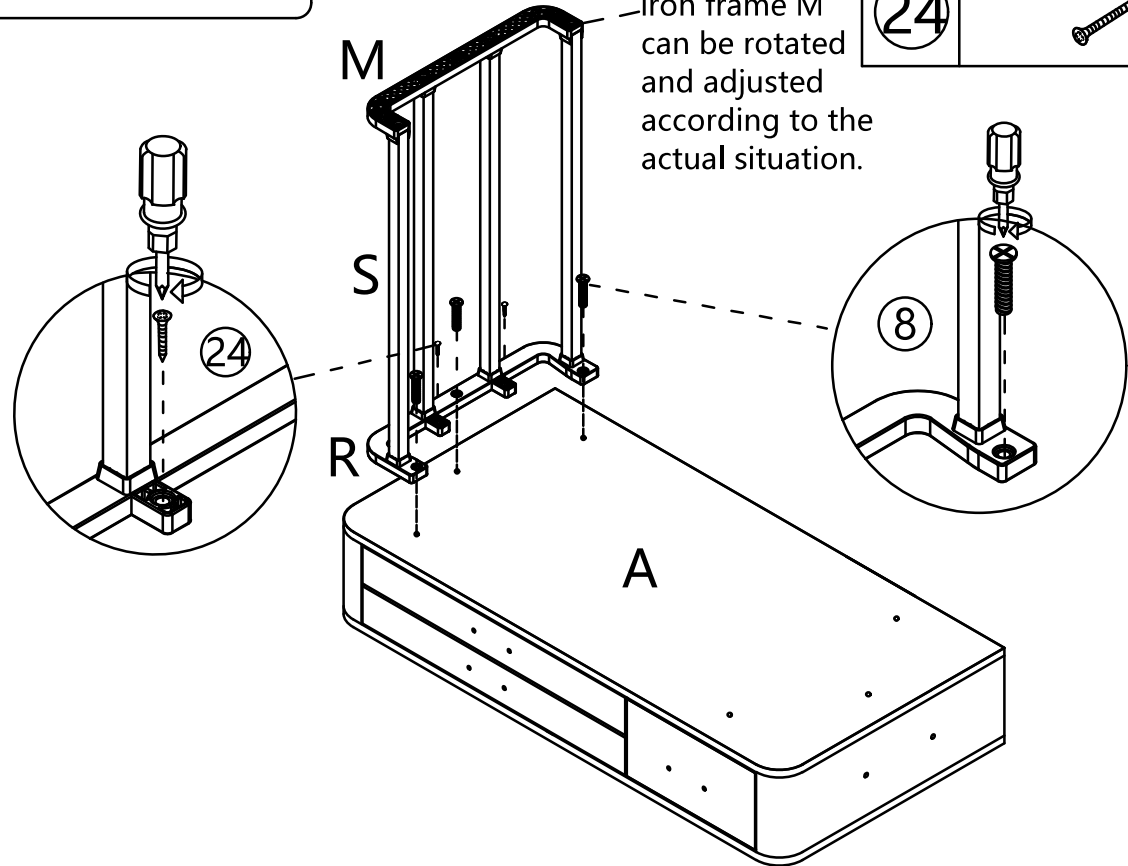
The hole design is misaligned, after the screw is installed, if the screw is higher than the iron plate, it is wrong, and the R wrought iron strip needs to be reversed and reinstalled




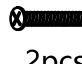
# Step 36

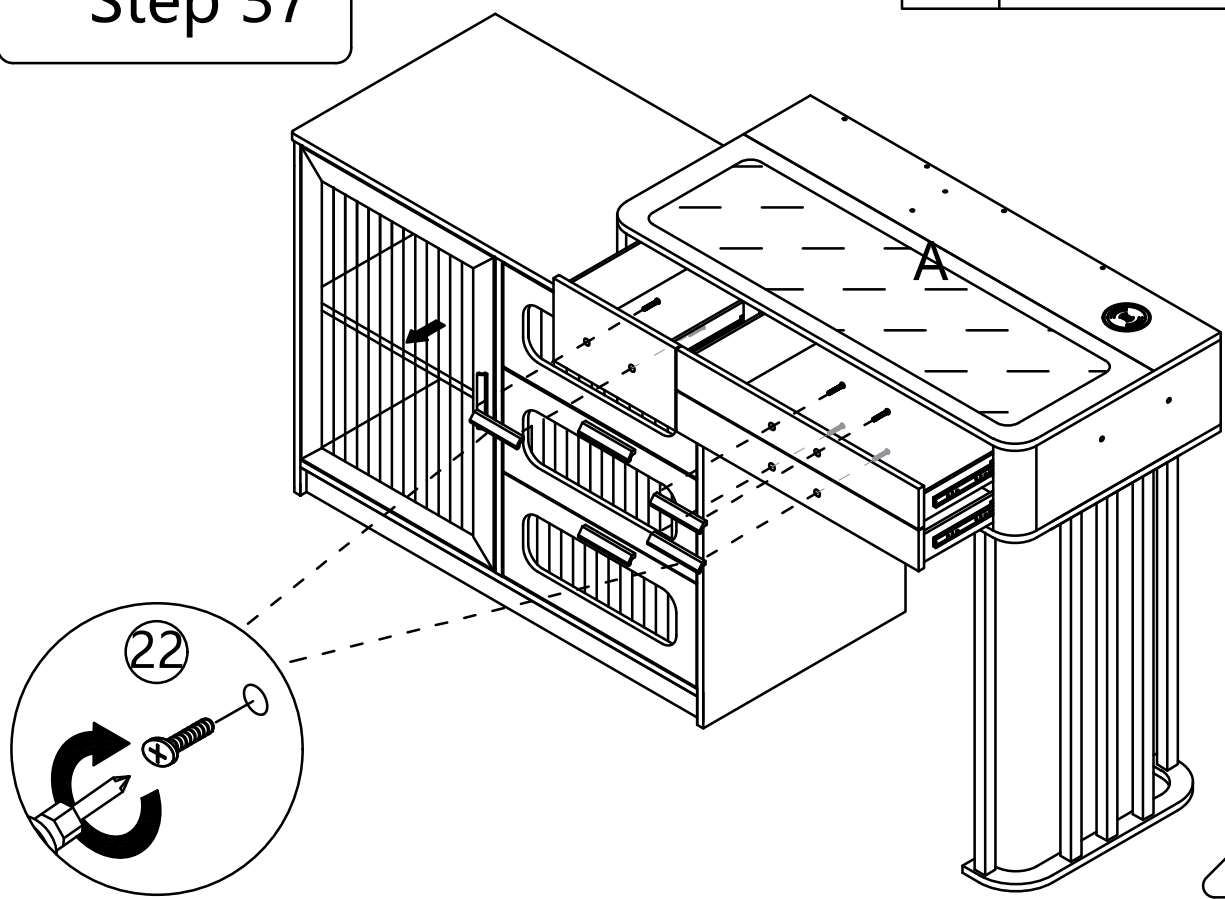
Note that the foot pad at the bottom of the iron frame M can be rotated and adjusted according to the actual situation.

8		x 3
24		x 2



# Step 37

22		1pcs		2pcs	x 3
----	---	------	---	------	-----

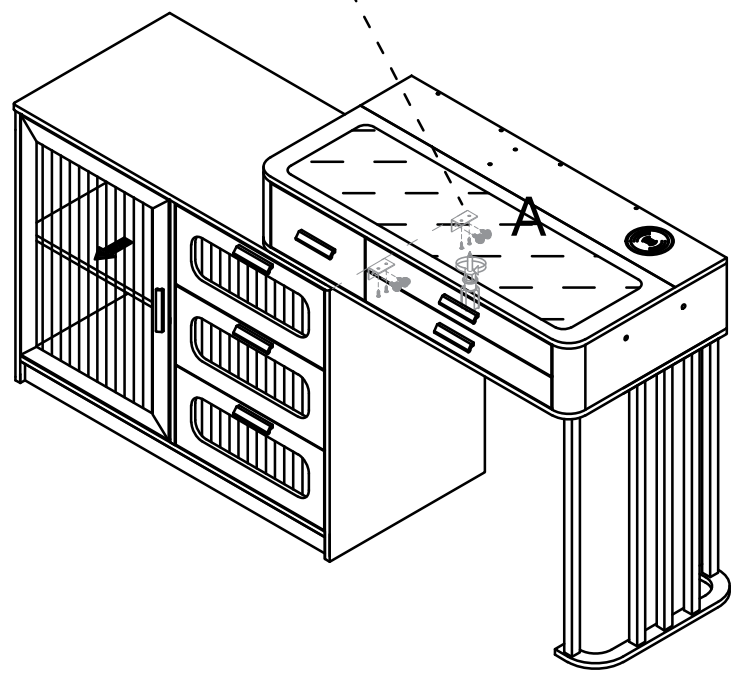
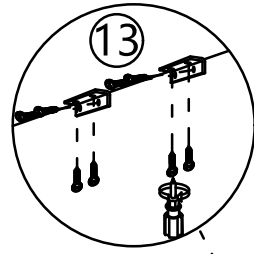


# Step 38

13

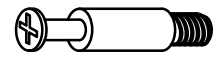


x 2

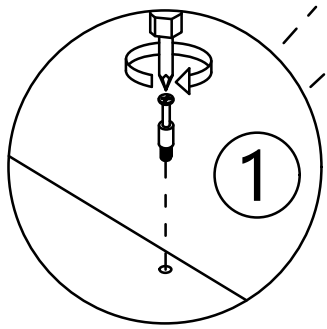


# Step 39

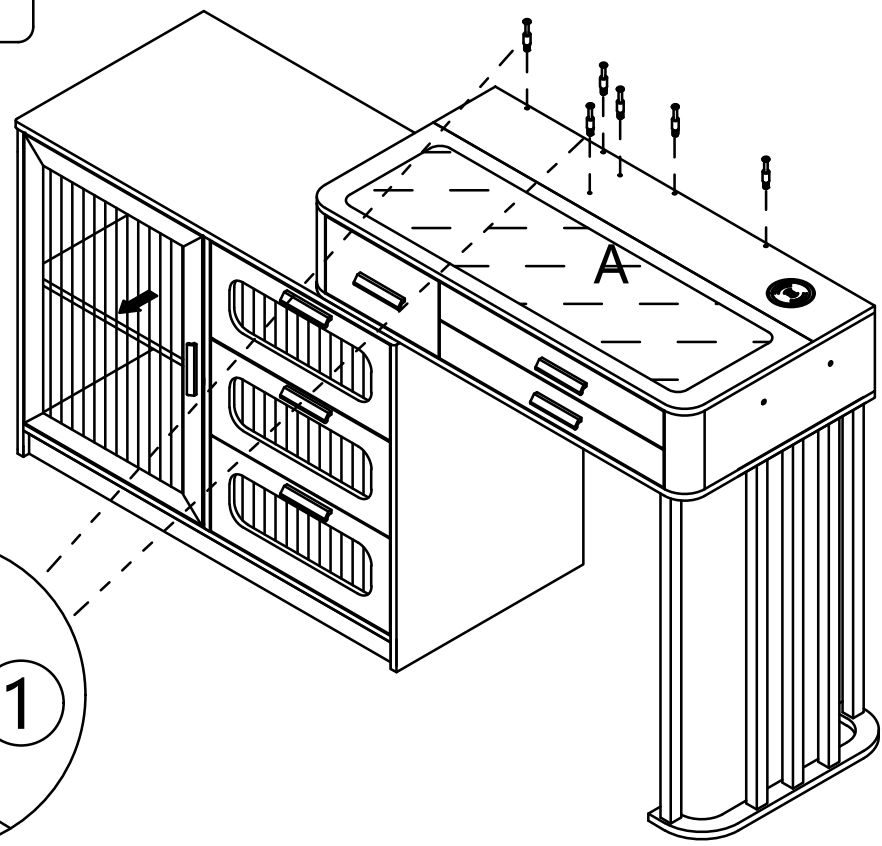
1



x 6

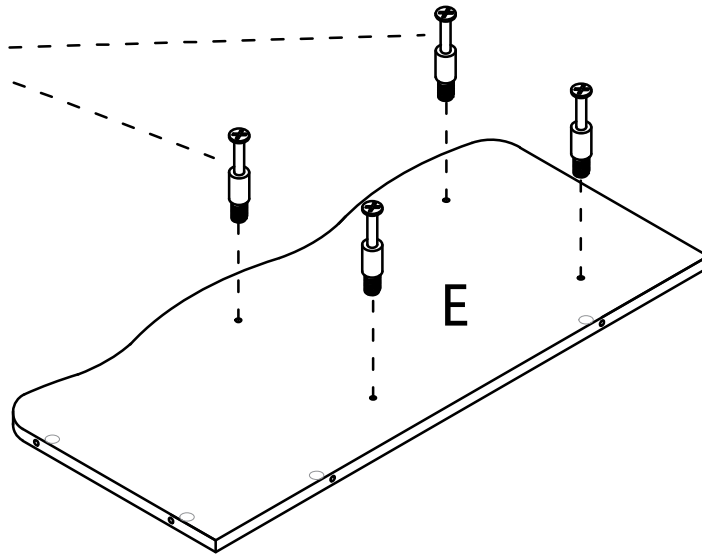
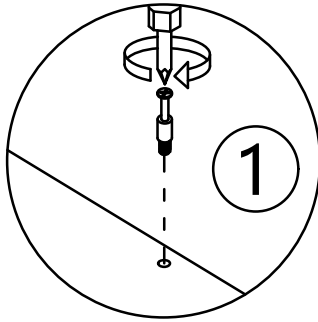


1



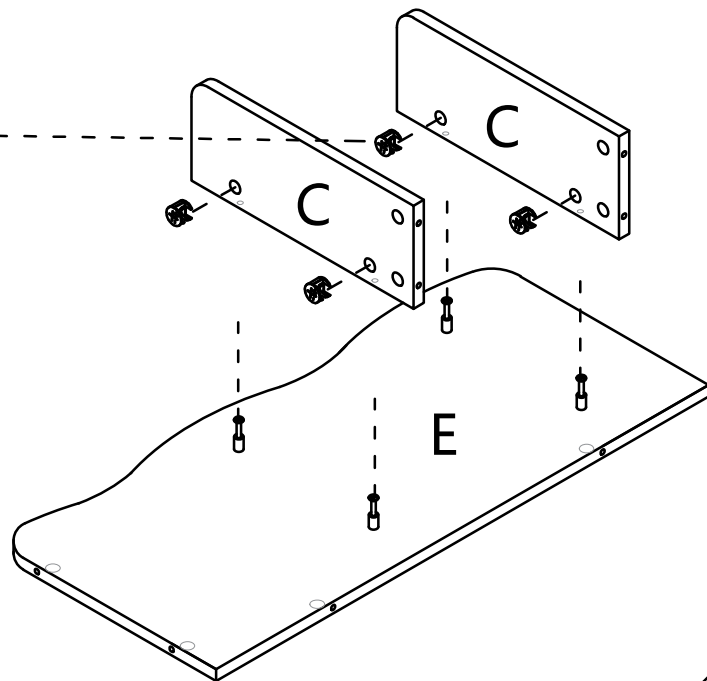
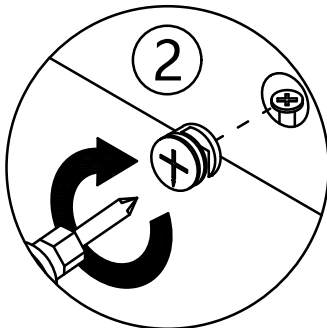
# Step 40

1

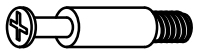


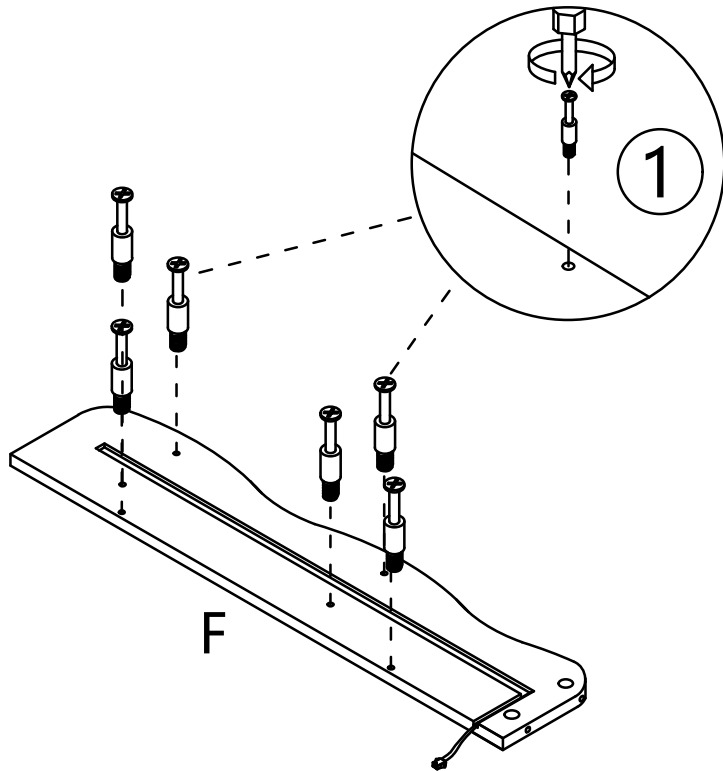
# Step 41

2



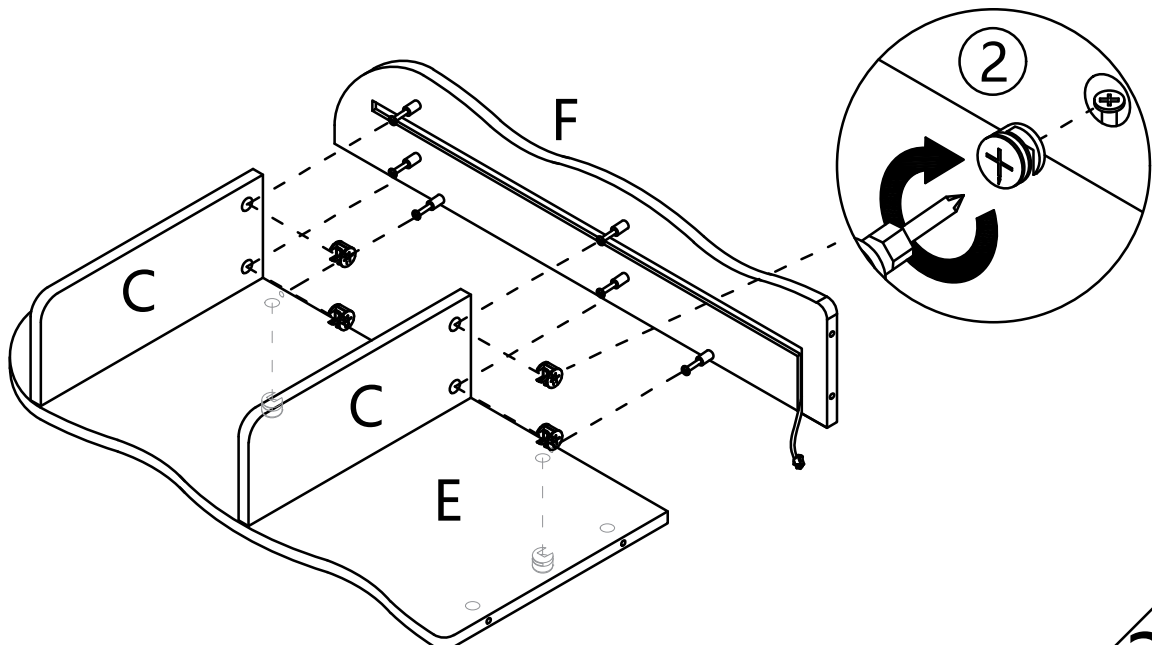
# Step 42

1  x 6



# Step 43

2  x 6



# Step 44

2

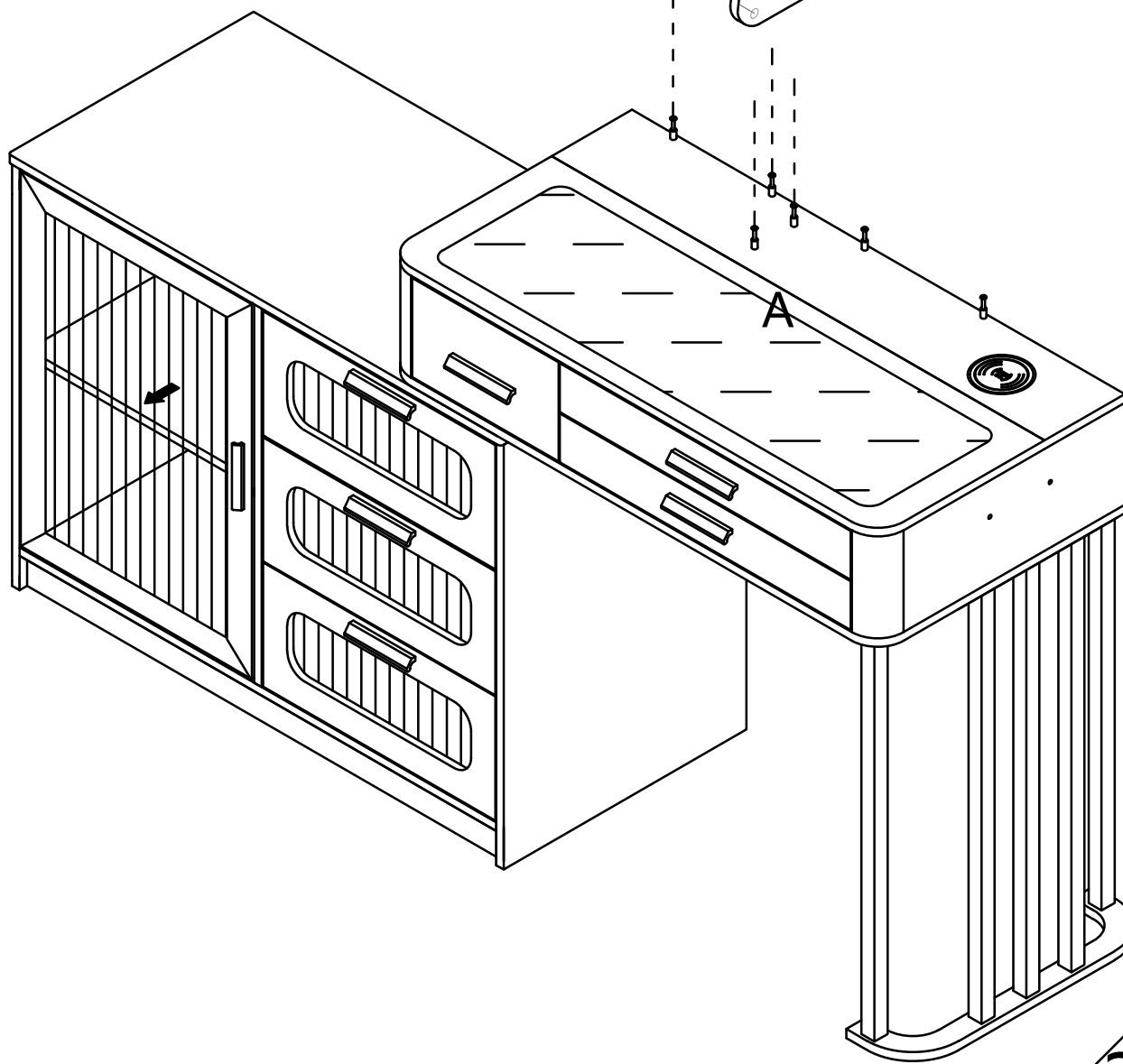
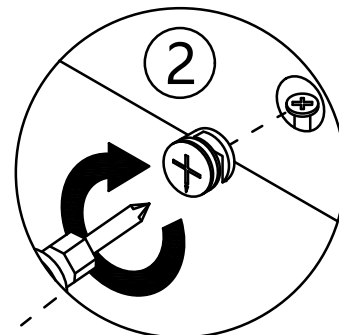
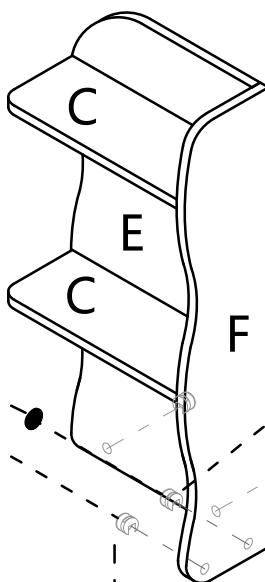
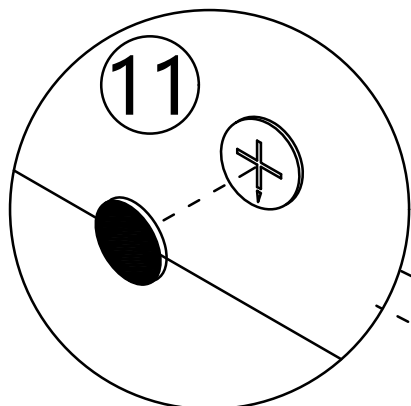


x 4

11

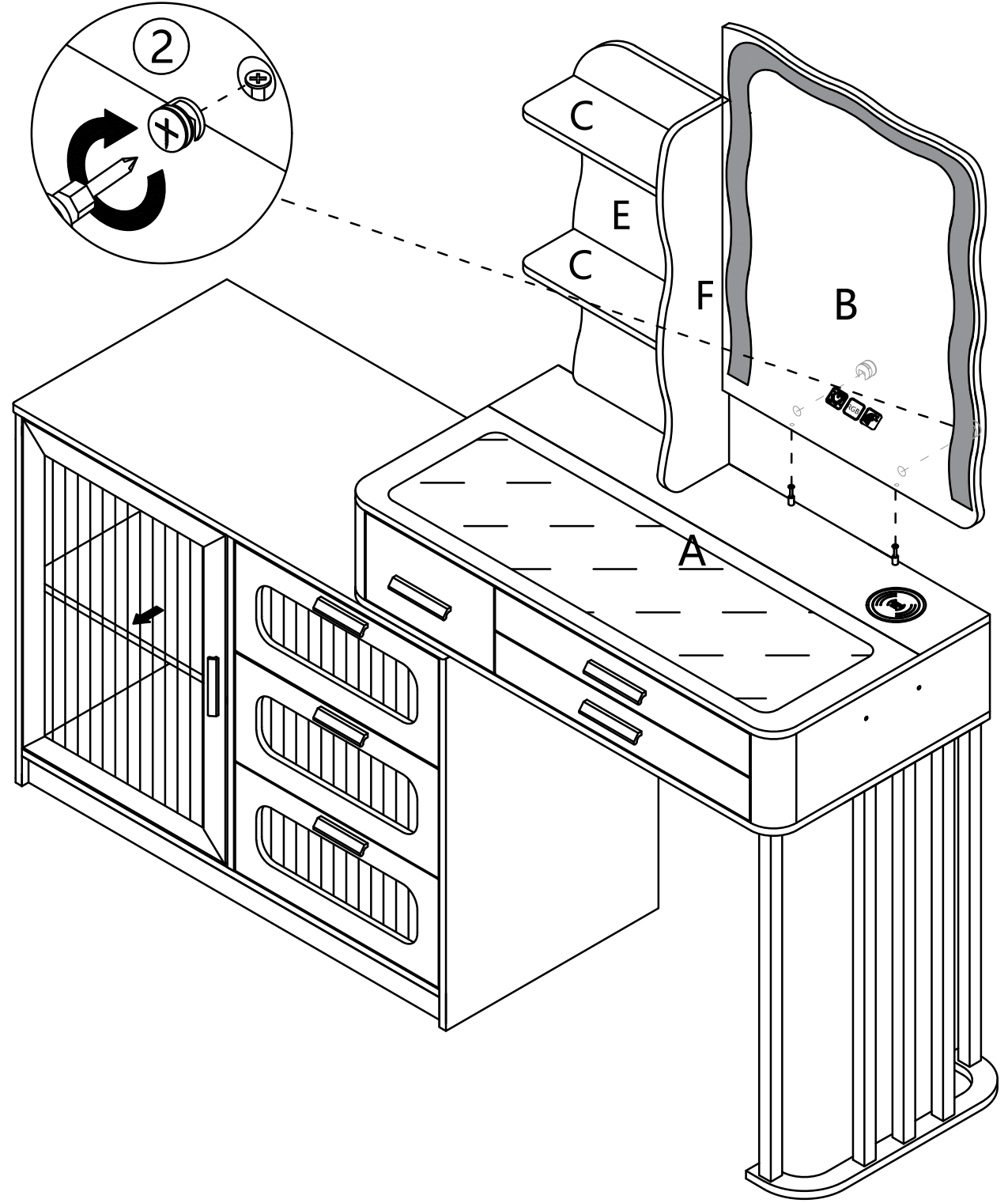


x 2







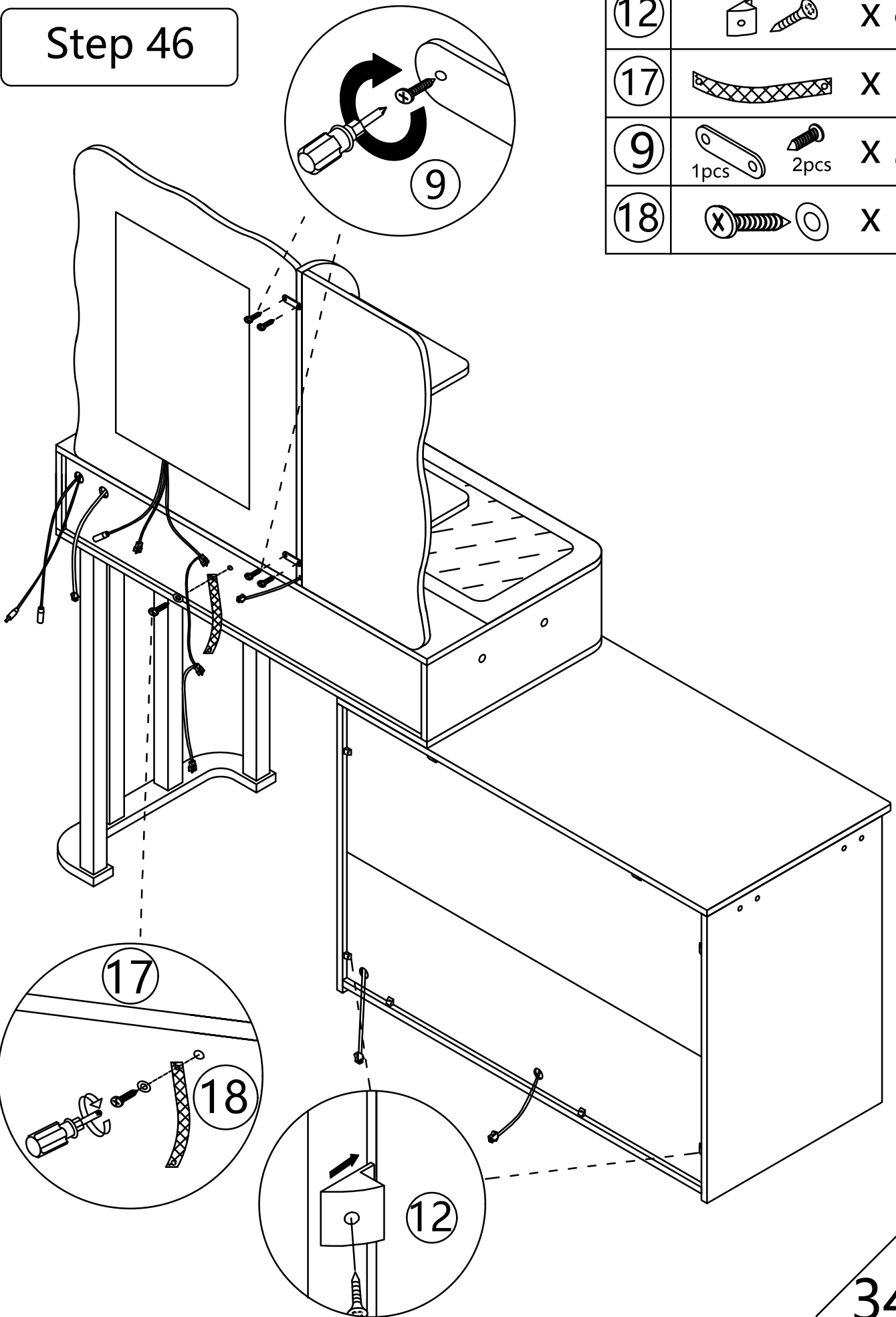
# Step 45

②  x 2

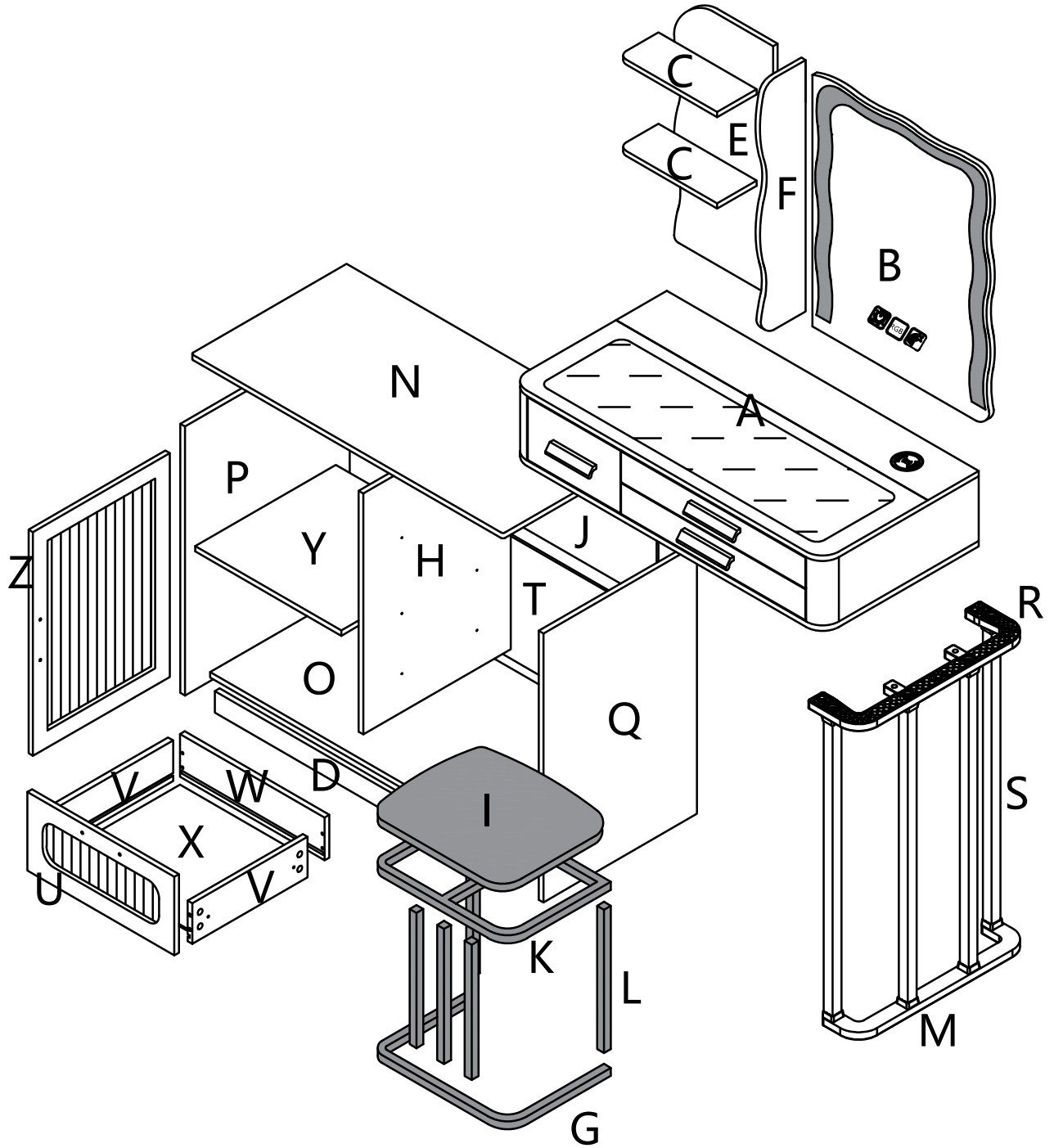


# Step 46

12		x 8
17		x 1
9	 1pcs      2pcs	x 2
18		x 1

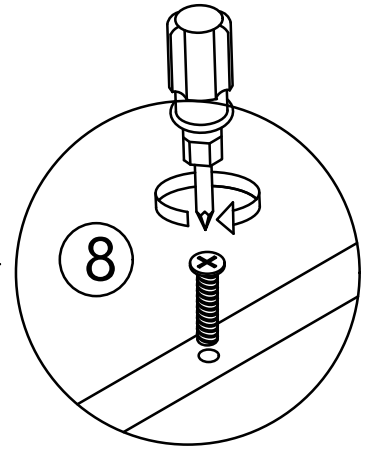
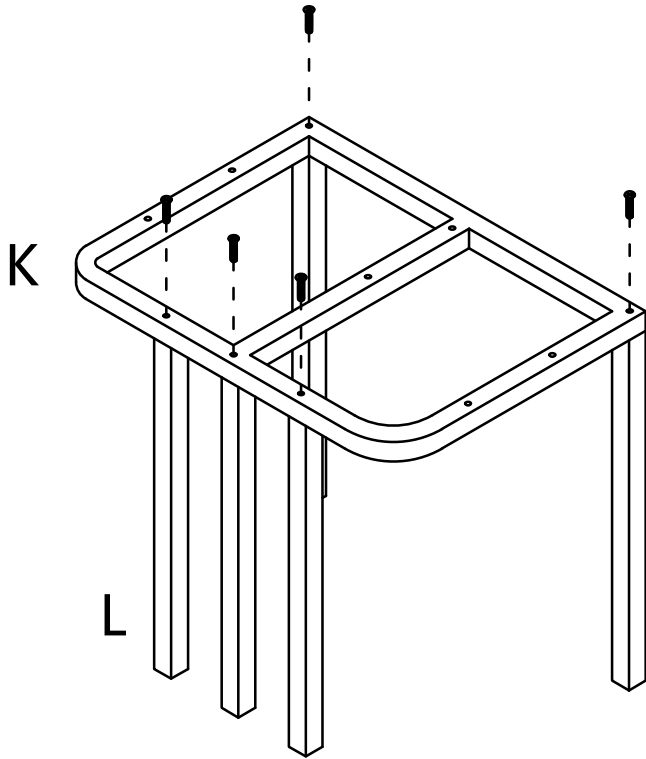


# Vanity Table Manual



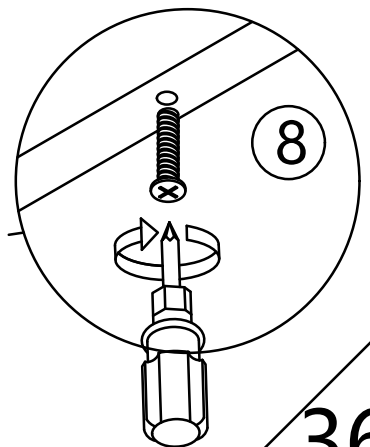
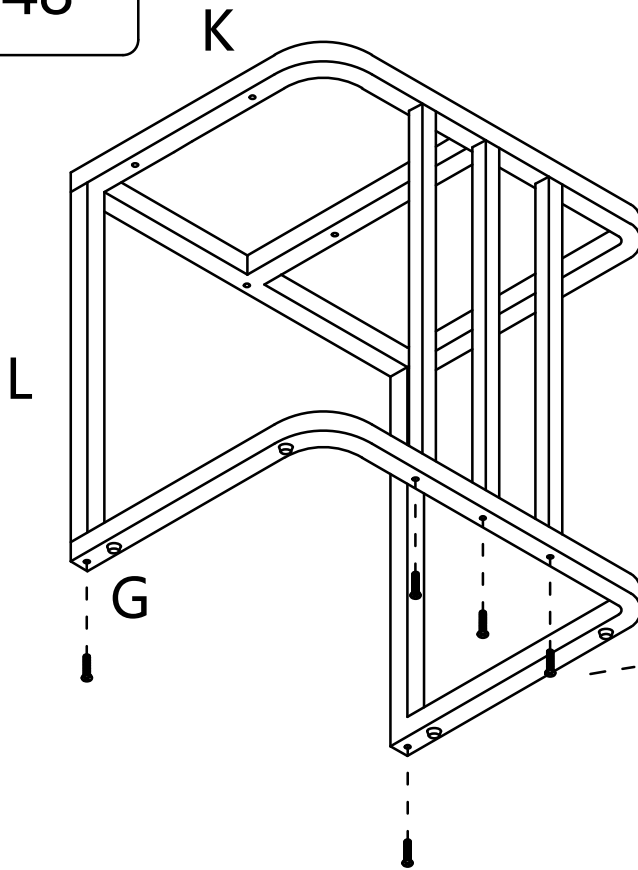
# Step 47

8 x 5



# Step 48

8 x 5

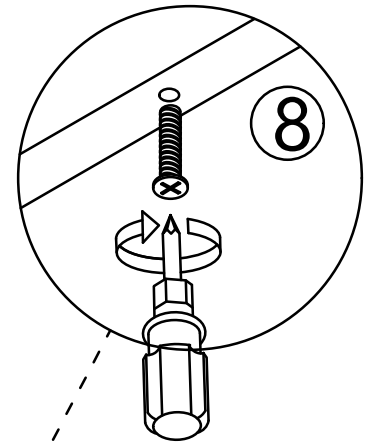
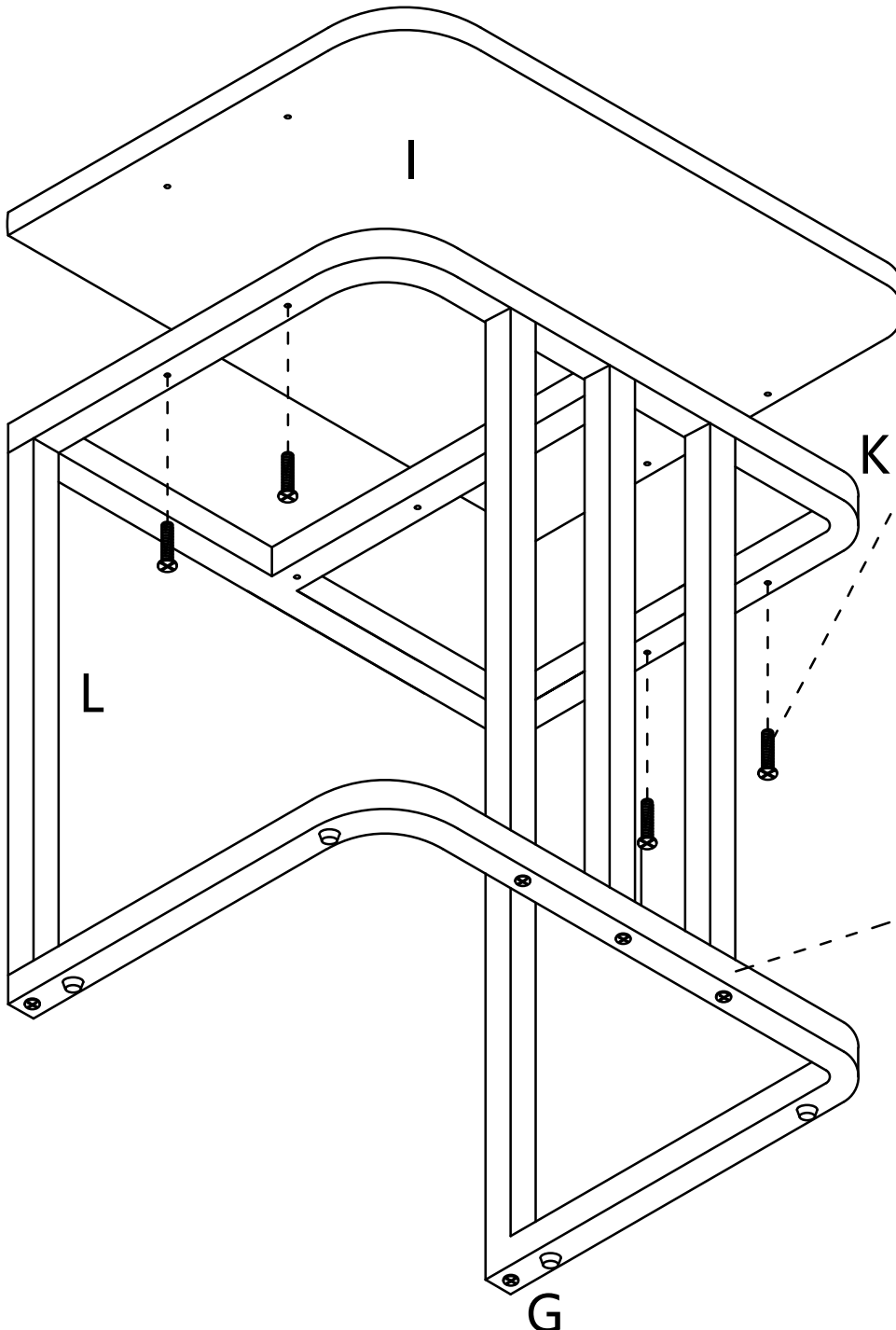


# Step 49

8



x 4

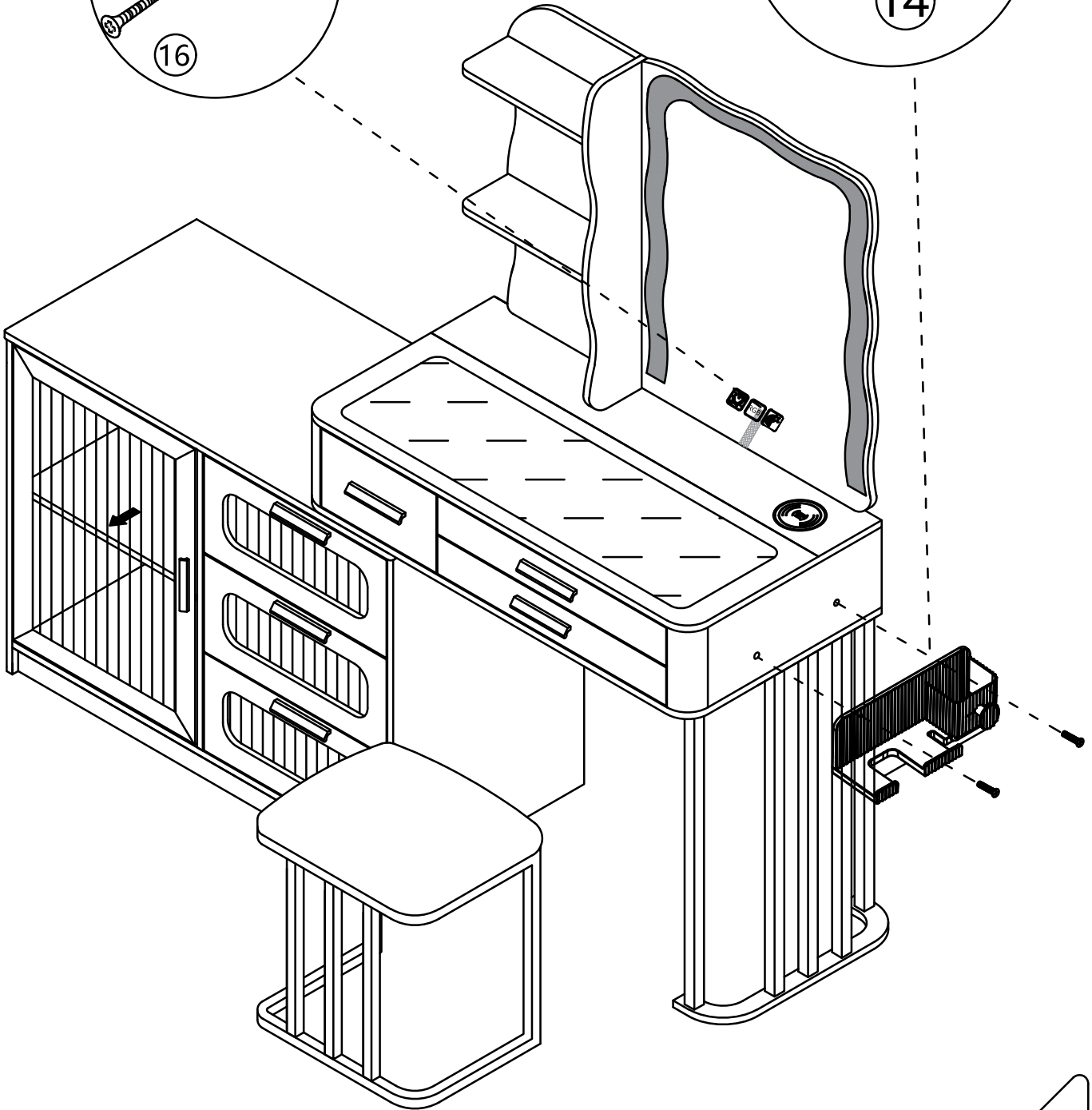
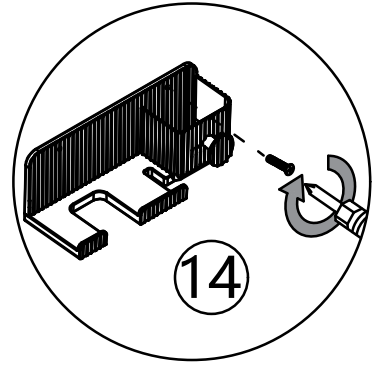
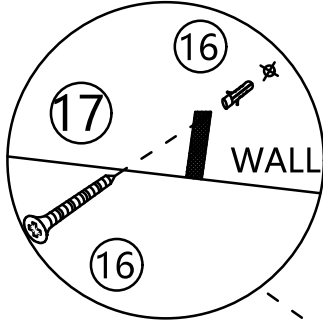


Note that the foot pad at the bottom of the iron frame G can be rotated and adjusted according to the actual situation.

# Step 50

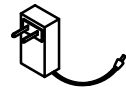
14 1 Pcs 2 Pcs X 1

16 X 1

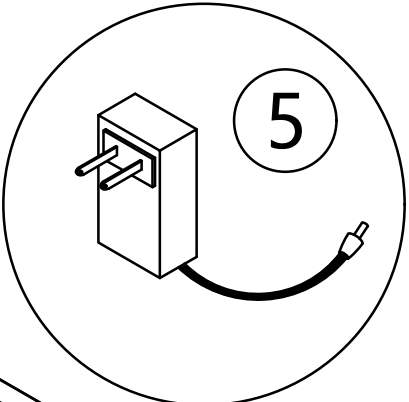
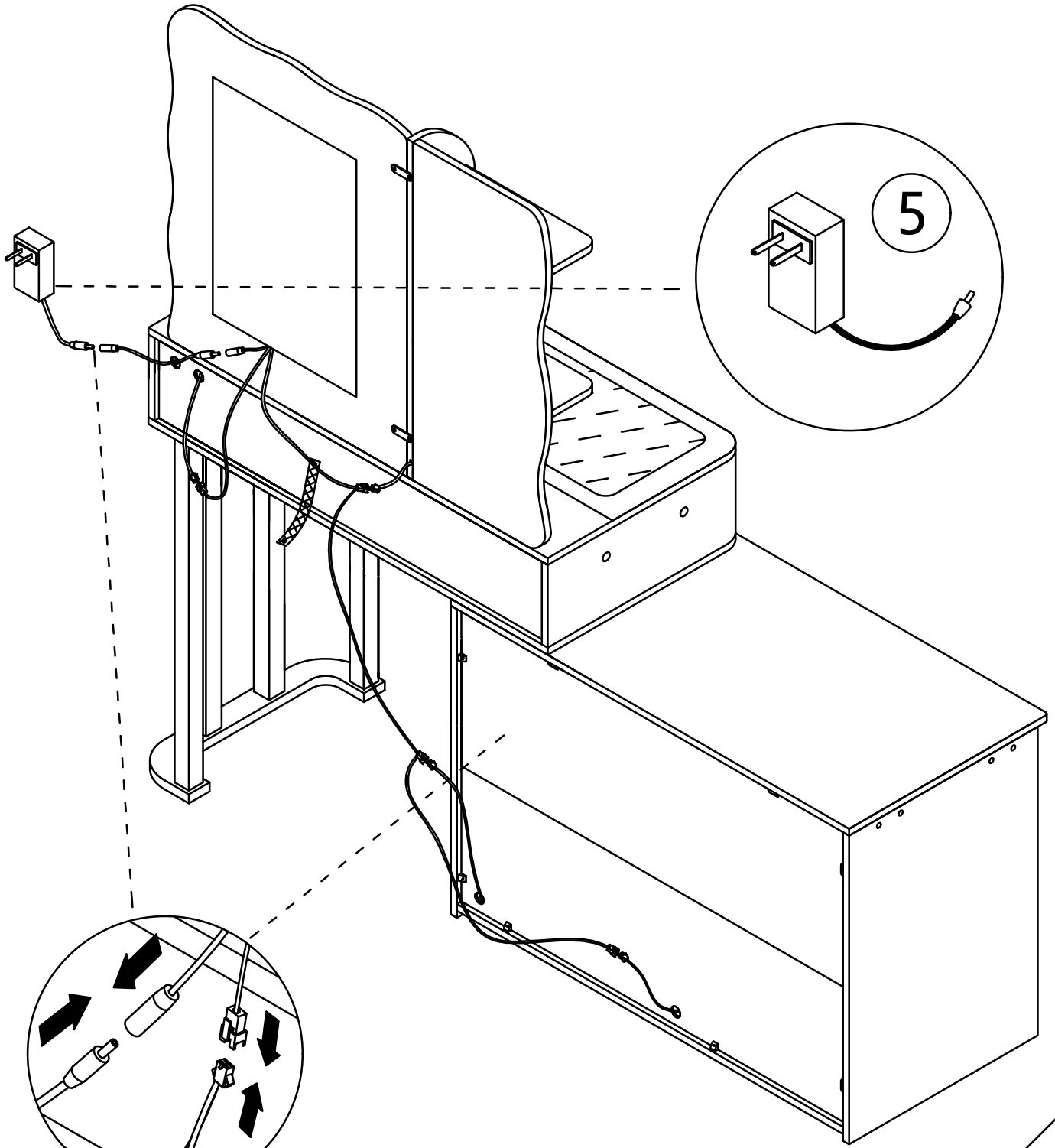


# Step 51

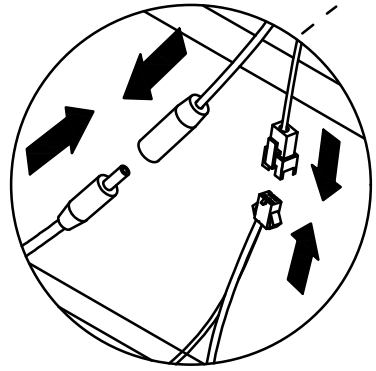
5



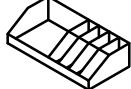


x 1

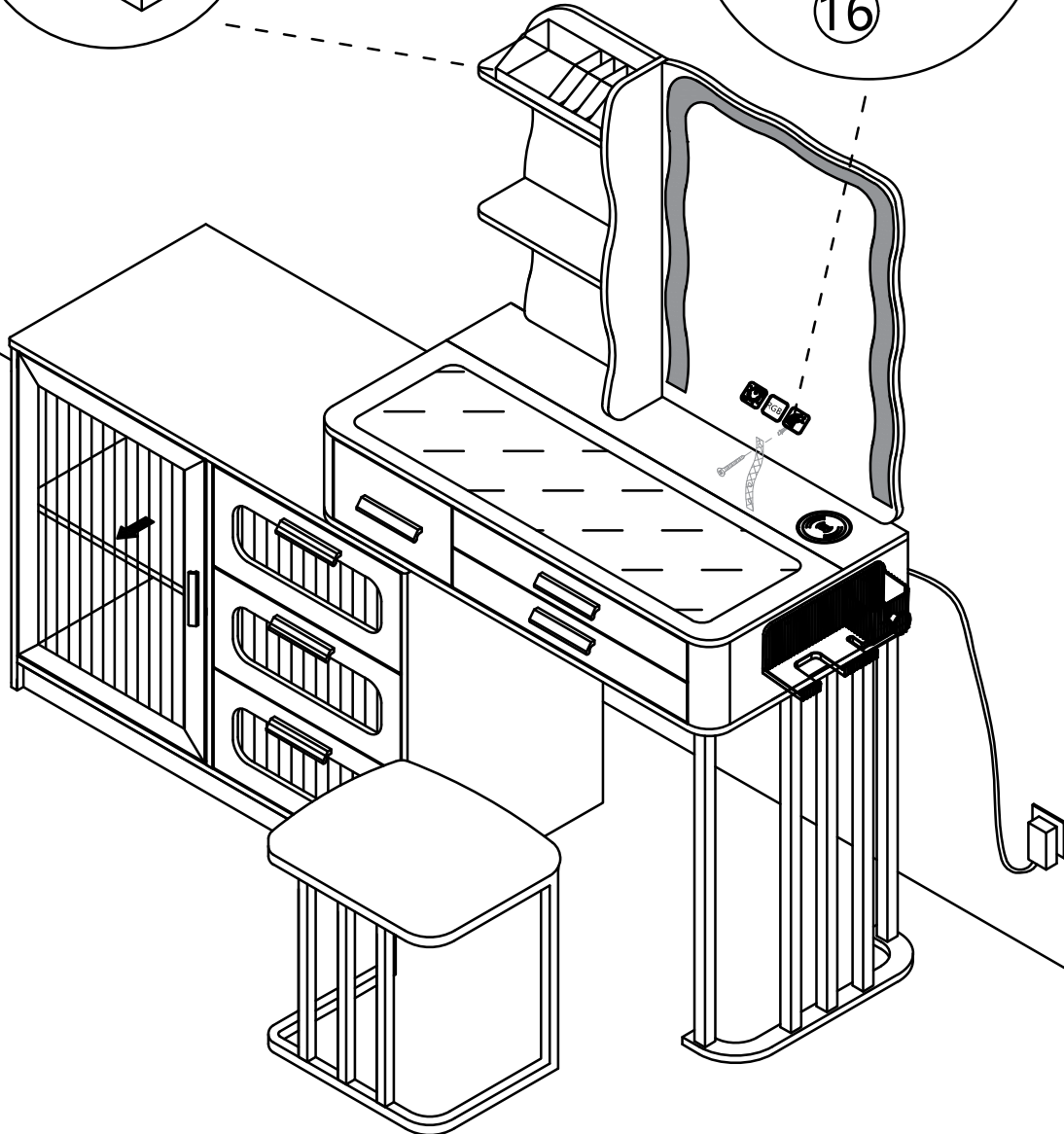
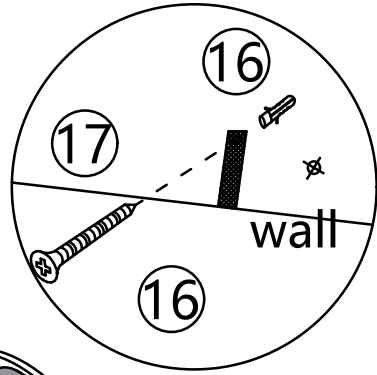
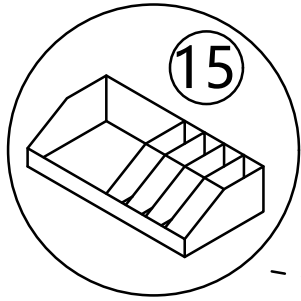


5



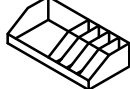


# Step 52

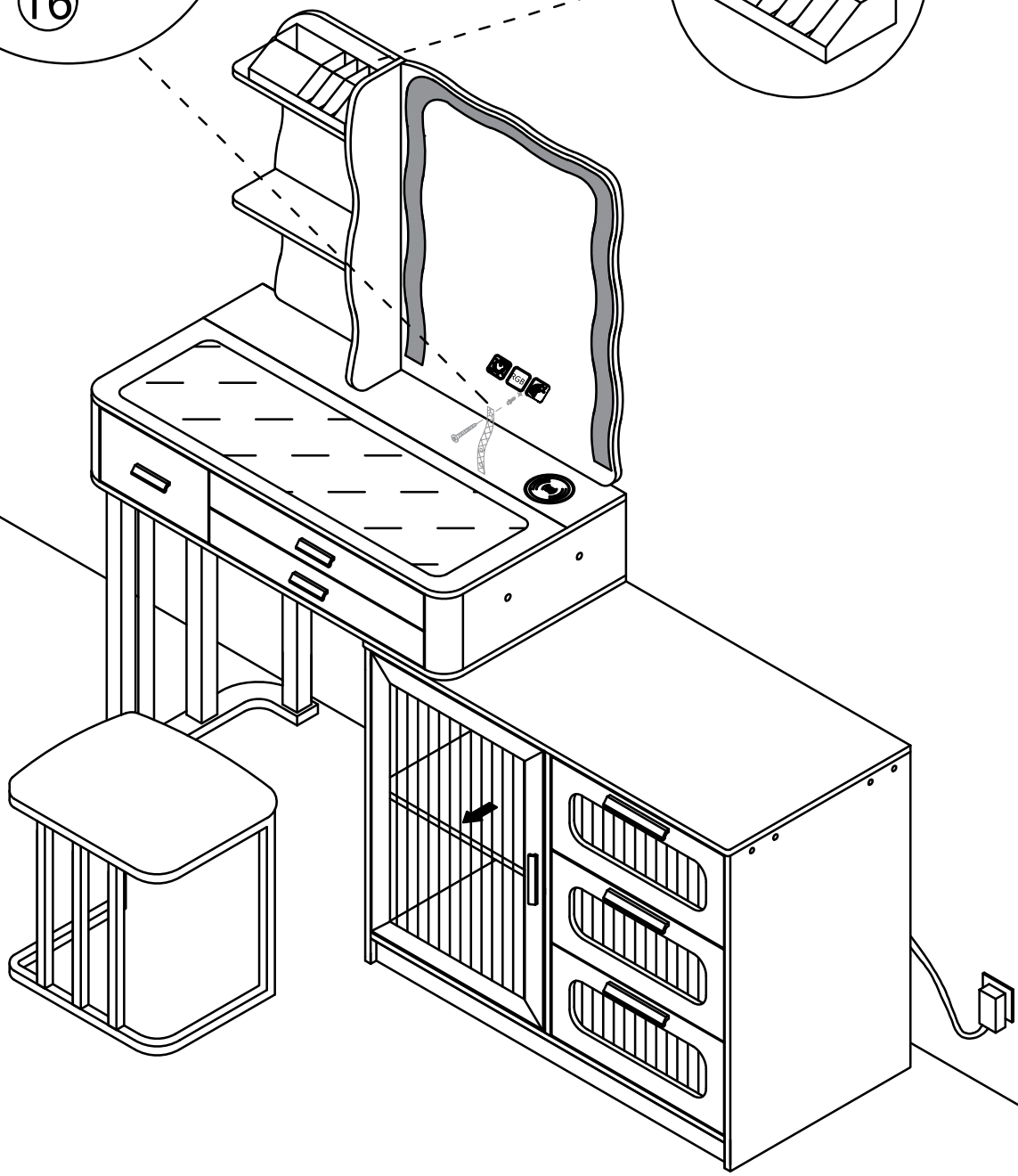
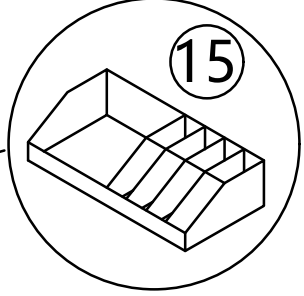
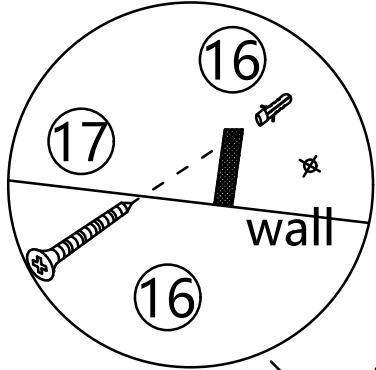
15		x 1
17		x 1
16		x 1



Left side installation method

# Step 53

15		x 1
17		x 1
16		x 1



Right side installation method

## User's Guide

Thank you for purchasing this product.

To use this product, please plug it into a 12V DC power supply.

Please use if the product works normally after connecting to power.

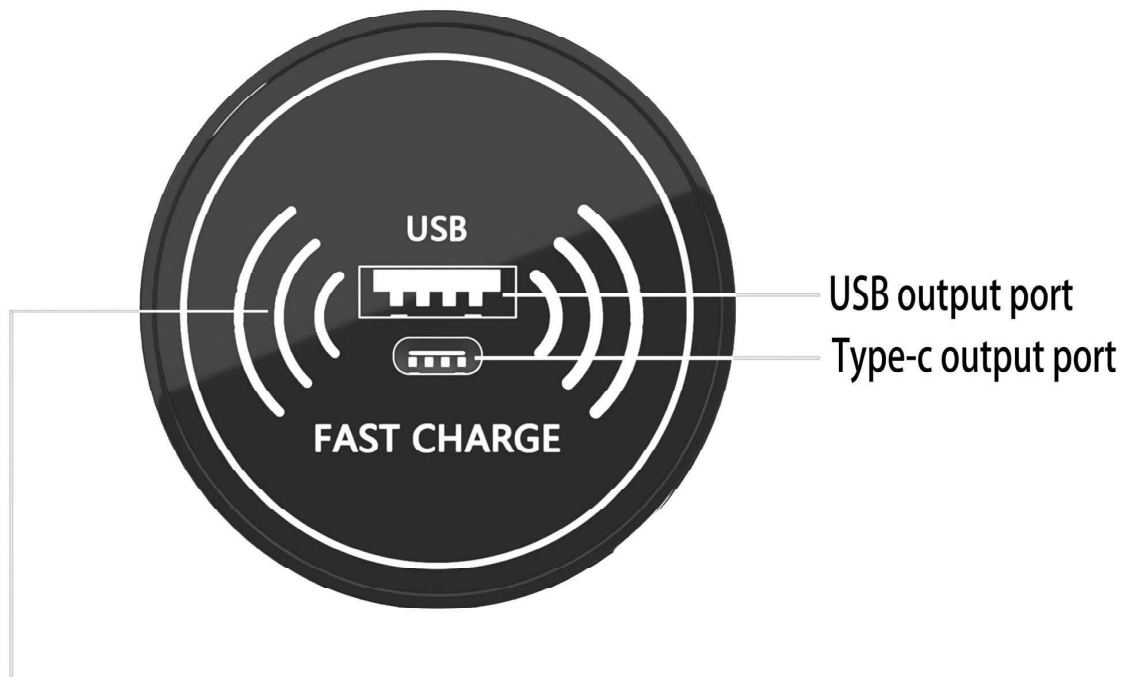
## Introduction

The box has 1 USB port and 1 Type-C port and wireless charging capability



## ATTENTION PLEASE

1. If there is no touch response suddenly, Re-plug the power to reset the touch static electricity.
2. If bubbles appear on the panel, remove the protective film.
3. If you have any questions when installing, please feel free to contact us. Thank you.



This range is a wireless charging area,

and only mobile phones with wireless charging function can be charged.

Consumer Reminder: Important Notice for Wireless Charging Use

1, Phone-Only Wireless Charging:

This device supports wireless charging for mobile phones only.

Attempting to charge other electronic devices may result in danger.

2, Metal Warning:

Ensure that no metal objects are placed between your phone

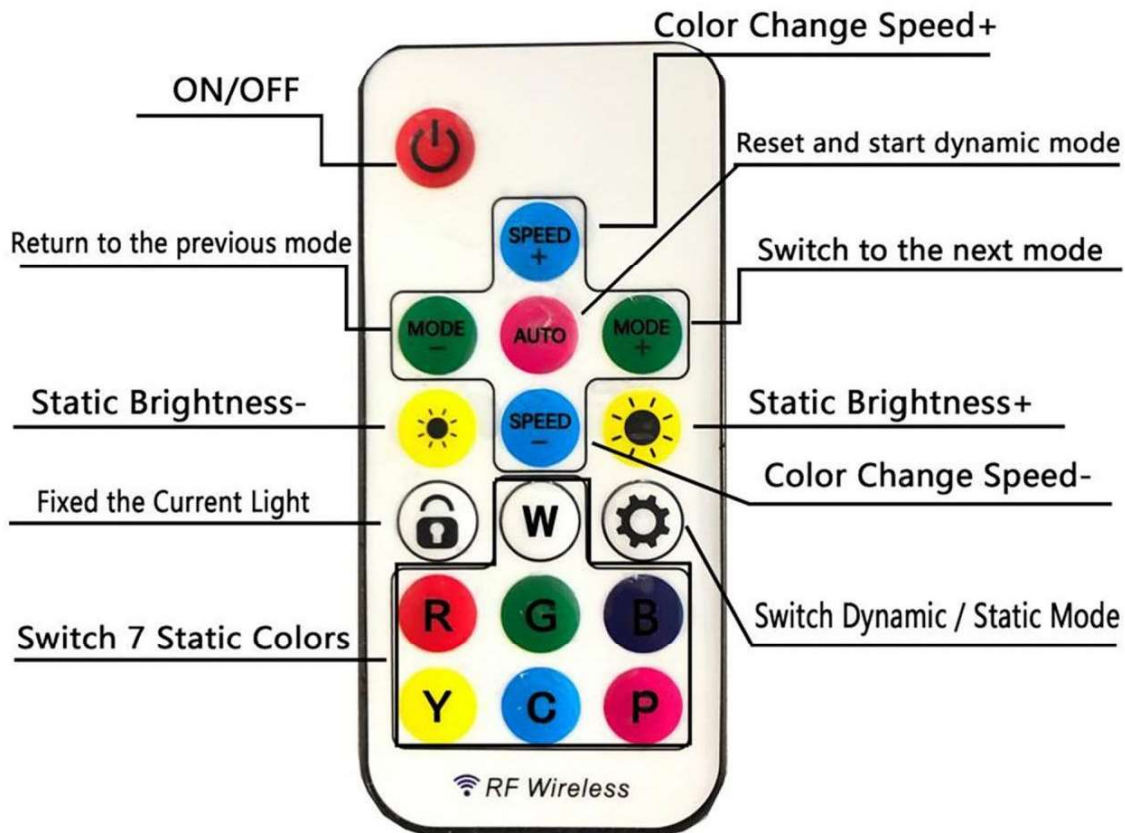
and the wireless charger (this includes magnetic or metal phone cases).

If there are metal objects can interfere with charging or cause hazardous conditions.

# Touch button description



1. ON/OFF
2. Static Light Mode  
(Long press to adjust brightness)
3. Dynamic Mode  
(Long press to adjust speed)



## LED Lights Controller-use instructions

Remote Battery: CR205 3V

How to use the controller?

1. After inserting the DC power adapter, you can use the remote control to control the lamp. Press the "on/Off" button to turn on the light and enter the static light mode.

Long press the "on/Off" button to turn off the light.

2. There are 7 RGB Dynamic Modes. You can press the "MODE+/-" key to choose dynamic colors that you preferred and press the "Speed+/-" key to adjust color change speed.

3. There are 7 static colors: White / Red / Green/ Blue / yellow / ice blue/ pink light. You can press the "Brightness +/-" key to adjust the brightness.

4. You can press the "lock" key to fix the color you like. When you press the "Switch Dynamic /Static Mode" key, the light will change between dynamic mode and static mode.