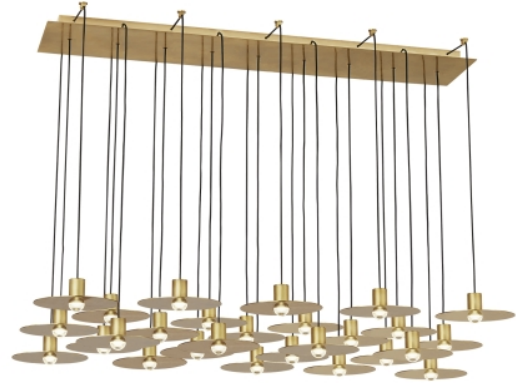


EAVES 27 LIGHT CHANDELIER

VISUAL COMFORT & CO.

PRODUCT FEATURES

- Canopy ships with 9 feet of cable per pendant which can be easily cut in the field
- Each port in the canopy comes with a plug to cover an unused ports
- Pendant feature a quick-connect simplifying installation
- Optional spacers facilitate unique geometries while adding depth and dimension to this stunning collection.
- This item is made of natural brass. It is a living finish that will patina and warm with age which adds richness. If it gets an uneven patina or spots, a brass cleaner can restore the finish
- Protected by a 5-year warranty. Please visit the "About Us" Page on techlighting.com for more for warranty details



LAMPING

Includes 120V or 277V 116.1 watts, 6129 delivered lumens, 3000K LED module. Dimmable with most LED compatible ELV and TRIAC dimmers. 277V dimmable with 0-10V dimmers. Ships with 9 feet of field-cutttable matte black cord. Can be installed on a sloped ceiling up to 45° when swag hooks are used.

Natural Brass



Natural Brass

Nightshade Black

ORDERING INFORMATION

700TRSPEVS	SHAPE OR SIZE	FINISH	LAMP	VOLTAGE
	27 LIGHT 27T	NB NATURAL BRASS	-LED930 INTEGRATED LED 90 CRI 3000K	120 120V
		B NIGHTSHADE BLACK		277 277V

700TRSPEVS _____

JOB NAME _____

NOTES _____

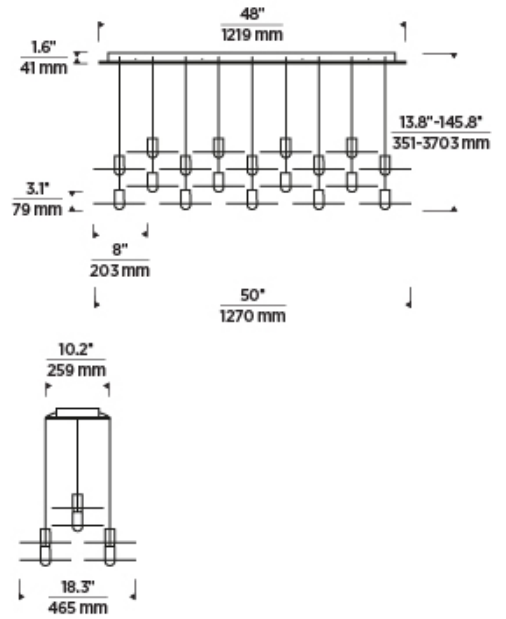


EAVES 27 LIGHT CHANDELIER

VISUAL COMFORT & Co.

SPECIFICATIONS

PRIMARY MATERIAL	Aluminum or Brass
SHADE MATERIAL	Acrylic
NET WEIGHT	45 lbs
HEIGHT	3.1in
WIDTH	18.3in
LENGTH	50in
UP LIGHT / DOWN LIGHT / BOTH?	
WET LISTED	
DAMP LISTED	
DRY LISTED	
MIN. HANGING HEIGHT	13.8in
MAX HANGING HEIGHT	109.8in
TOTAL CORD LENGTH	108in
TOTAL STEM LENGTH	
STEM QTY	
SLOPED CEILING ADAPTABLE?	N/A
GENERAL LISTING	ETL Listed
INCLUDES	



LAMPING SPECIFICATIONS

	LED LAMP	INTEGRATED LED	NON LED	NO LAMP
DELIVERED LUMENS		6129		
WATTS		4.3		
MAX WATTAGE PER BULB		116.1W		
		120V ELV, TRIAC		
		277V 0-10V		
CCT		3000K		
CRI		90 CRI		
LED LIFETIME				
L70		>50000		
AVERAGE BULB HOURS				
FIELD SERVICEABLE LED				
LAMP BASE		Integrated LED		
LAMP SHAPE		Integrated LED		
LAMP INCLUDED?		True		
WARRANTY**		5 Years		

* Dimming information available at www.techlighting.com/Downloads#dimming

** Visit techlighting.com for specific warranty limitations and details.

T20 / T24 / JA8 INFORMATION

	Integrated LED	Replacement LED Lamp	No Lamp *
This product can be used to comply with California Building Energy Efficiency Standards 2016 Title 24 Part 6 / JA8.	Yes		
This product can be used to comply with California Appliance Efficiency Standards 2016 Title 20 and may be shipped to and sold in California.	N/A		

* If a light fixture or component does not include a lamp or light source, it is the responsibility of the customer to select a lamp that meets the T24 and T20 requirements.

