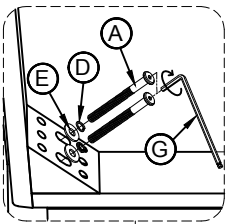


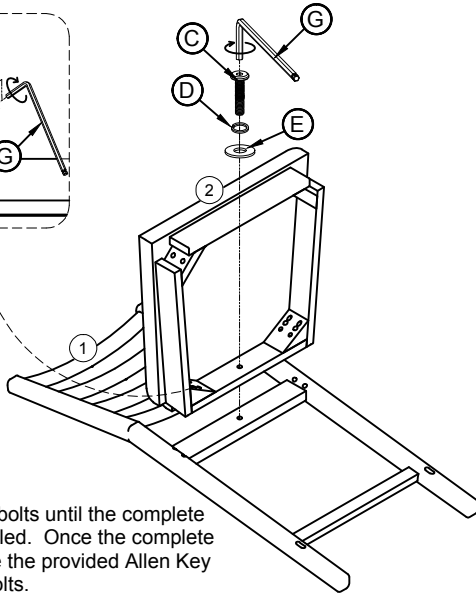
Assembly Instructions

Thank you for purchasing this quality product. Be sure to check all packing material carefully for small parts that may have come loose inside the carton during shipment. (Note: Loosely thread all screws/bolts first. Once the item is assembled then completely tighten.)

PARTS LIST:				HARDWARE LIST:				
No.	Description	Sketch	Quality	No.	Sketch	Description	Size	Quality
1	Back Chair		1 Pc	A		Allen Head Bolt	Ø8x85mm	4 Pcs
2	Seat		1 Pc	B		Allen Head Bolt	Ø8x55mm	4 Pcs
3	Right Side Stretcher		1 Pc	C		Allen Head Bolt	Ø8x40mm	1 Pc
4	Left Side Stretcher		1 Pc	D		Lock Washer	Ø9xØ13mm	9 Pcs
5	Right Front Leg		1 Pc	E		Flat Washer	Ø8xØ20mm	9 Pcs
6	Left Front Leg		1 Pc	F		Wood Screw	Ø4x50mm	6 Pcs
7	Front Stretcher		1 Pc	G		Allen Key	Ø4x110mm	1 Pc

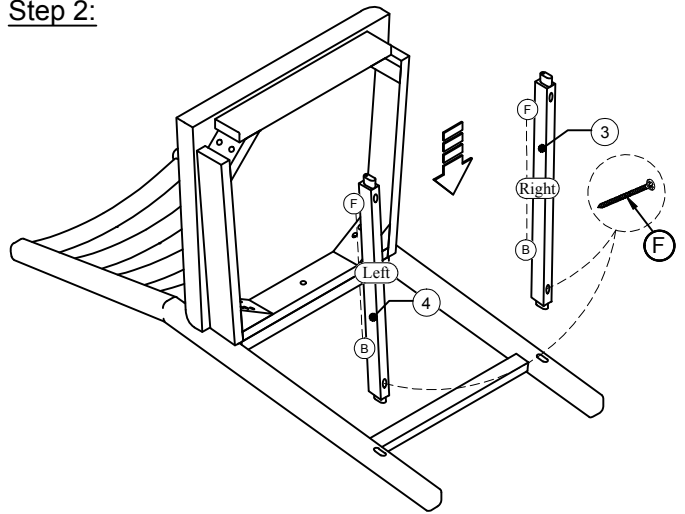


Step 1:

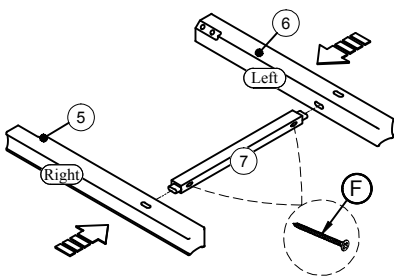


Do not fully tighten the bolts until the complete chair has been assembled. Once the complete chair is assembled, use the provided Allen Key to fully tighten all the bolts.

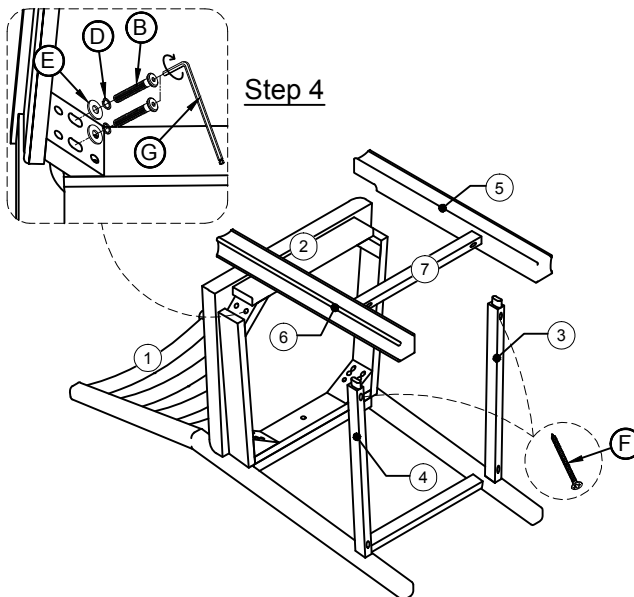
Step 2:



Step 3:



Step 4



Finish:

