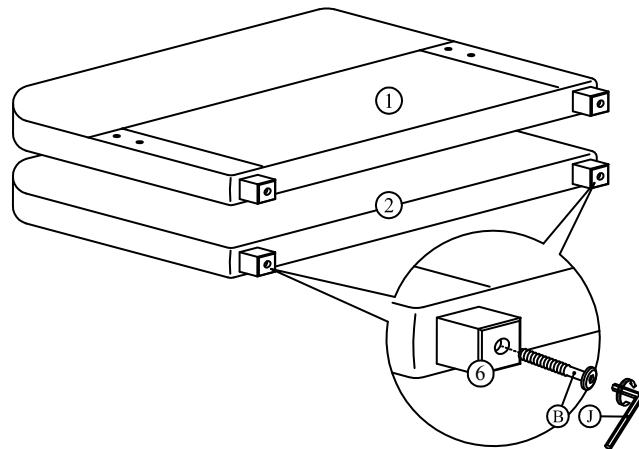


ASSEMBLY INSTRUCTION

DAYBED		
NO	PARTLIST	QTY
1	LEFT ARM	1 PC
2	RIGHT ARM	1 PC
3	BACK PANEL	1 PC
4	FRONT RAIL	1 PC
5	BACK RAIL	1 PC
6	LEGS	4 PCS
7	7PCS SLAT	2 SETS
8	TRUNDLE FRONT PANEL	1 PC
9	TRUNDLE BACK PANEL	1 PC
10	TRUNDLE SIDE RAIL	2 PCS
11	SLAT	3 PCS
12	5PCS SLAT	2 SETS
13	CASTORS	6 PCS
NO	HARDWARE LIST	QTY
A	JCBB SCREWS M8 X 20mm	16 PCS
B	JCBC SCREWS M6 X 35mm	4 PCS
C	JCBC SCREWS M6 X 50mm	12 PCS
D	JCBC SCREWS M6 X 60mm	4 PCS
E	SPRING WASHERS	16 PCS
F	FLAT WASHERS	4 PCS
G	FLAT WASHERS (SMALL)	12 PCS
H	SCREWS M4 X 16mm	24 PCS
I	SCREWS M4 X 32mm	16 PCS
J	L KEY M4 X 65mm	1 PC
K	L KEY M5 X 65mm	1 PC

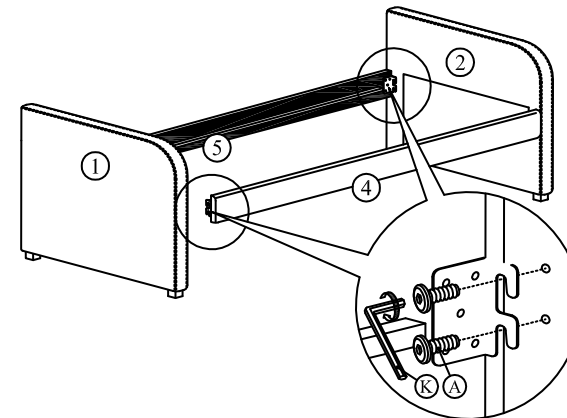
STEP 1

Begin assembly by attaching each leg (6) to the bottom of left arm (1) & right arm (2) securing with 2 Allen Bolts (B) per panel using L-key (J).



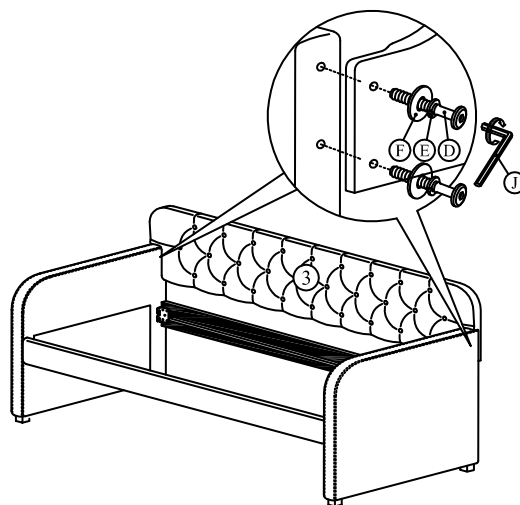
STEP 2

Attach the front rail (4) and back rail (5) to the left arm (1) & right arm (2). Aligning holes and securing with 2 Allen Bolts (A) per each end using L-key (K).
(DO NOT FULLY TIGHTEN BOLTS FOR THIS STEP)



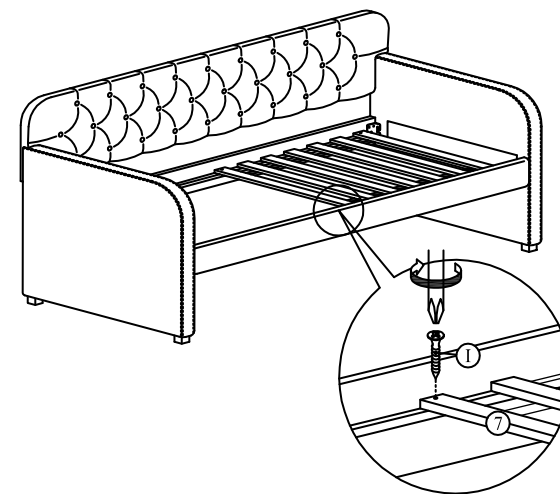
STEP 3

Attach back panel (3) to the back of each left arm & right arm by aligning the holes and securing with 2 Allen Bolts (D), 2 Spring Washer (E), 2 Flat Washer (F) per each side using L-key (J).
(DO NOT FULLY TIGHTEN BOLTS FOR THIS STEP)



STEP 4

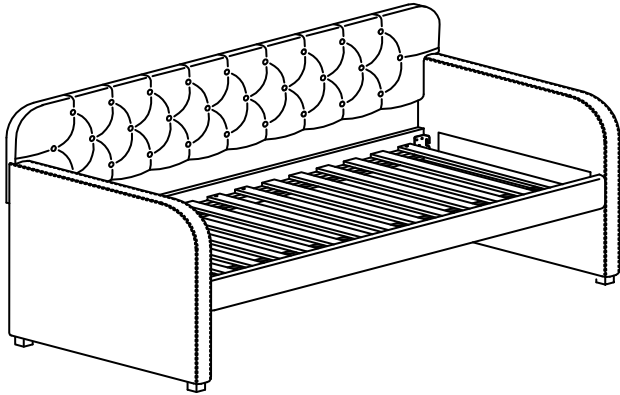
Tighten all Bolts from step 2 using L-key (K) and step 3 using L-key (J) that has been provided. Attach slat (7) to front rail (4) and back rail (5) by unrolling and securing with 2 screws (I) per each side. Tighten all screws using Philips Head screwdriver. (not included)



ASSEMBLY INSTRUCTION

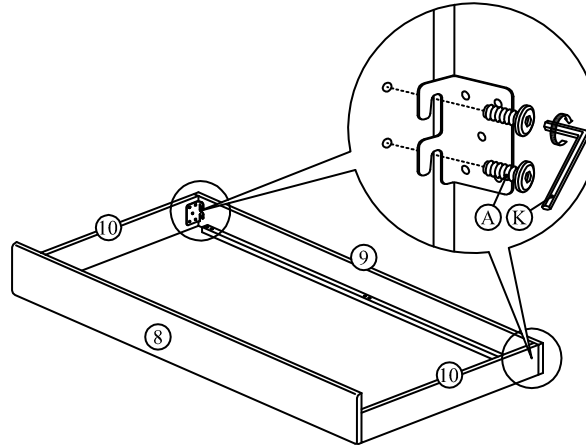
STEP 5

Your daybed should be done assembly as below.



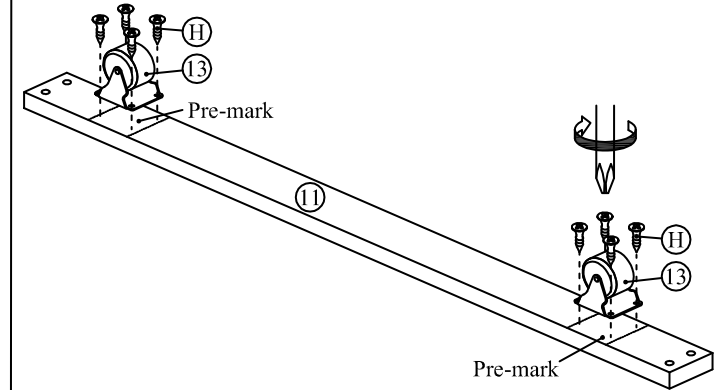
STEP 6

Attach the trundle front panel (8) & trundle back panel (9) to the trundle side rail (10) by aligning holes and securing with 2 Allen Bolts (A) per each end. Tighten all Bolts using the L-key (K).



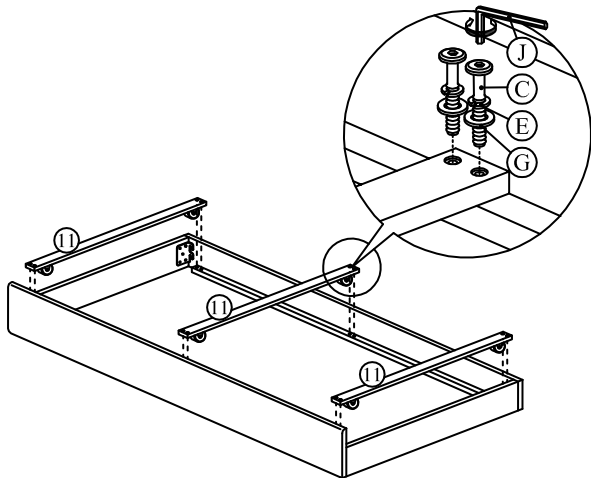
STEP 7

Attaching 2 castors (13) to the bottom of slat (11) according to the pre-mark line. Securing with 4 screws (H) per each castor (13) using Philips Head screwdriver (not included).



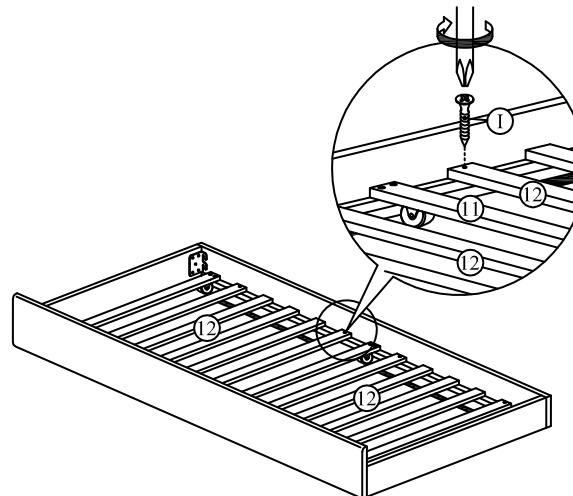
STEP 8

Attach slat (11) with castor to the trundle front panel (8) & trundle back panel (9) securing with 2 Allen Bolts (C), 2 Spring Washer (E), 2 Flat Washer (G), by using L-key (J) per each side of slat.



STEP 9

Attach slat (12) to the trundle front panel & trundle back panel by unrolling and securing with 2 screws (I) per each side. Tighten all screws using Philips Head screwdriver (not included).



COMPLETED

