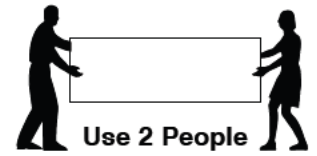
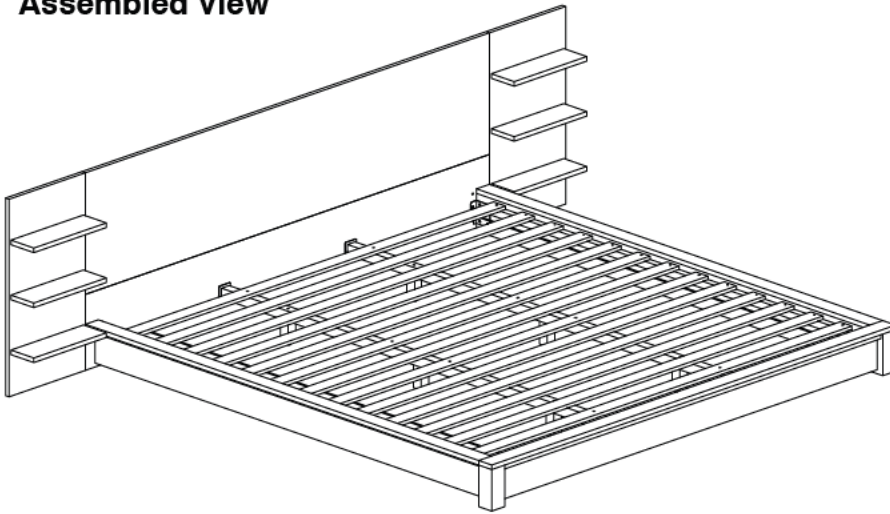


King Bed

Assembly Instructions

W11-0820

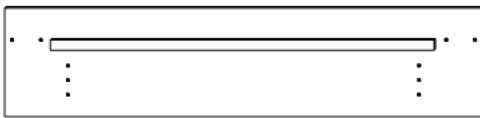
1 Assembled View



Note: Do not assemble using power tools. This can cause the bolts to be overtightened

2 Parts List

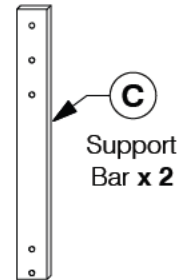
Parts in Box A:



A Headboard Panel (Upper) x 1

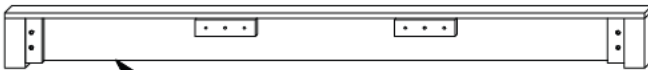


B Headboard Panel (Lower) x 1



C Support Bar x 2

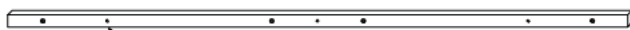
Parts in Box B:



D Footboard Panel x 1



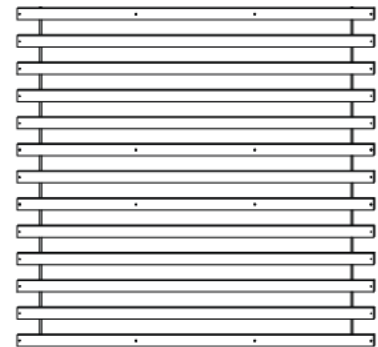
E Side Rail x 2



F Center Rail x 2



G Support Leg x 6



H Set of Bed Slats x 1

Parts in Box C:



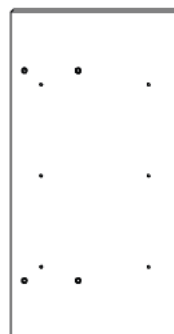
J Shelf Panel x 6



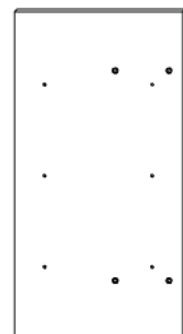
K Support Rail x 4



L Side Panel (Left Hand) x 1



M Side Panel (Right Hand) x 1

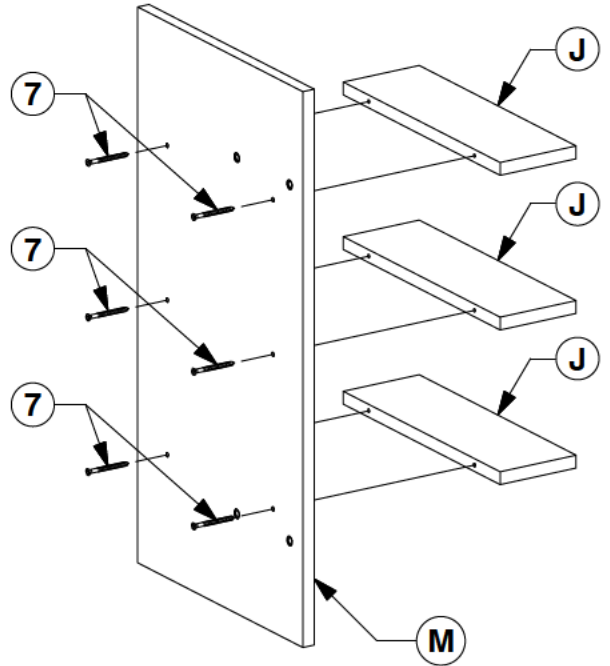
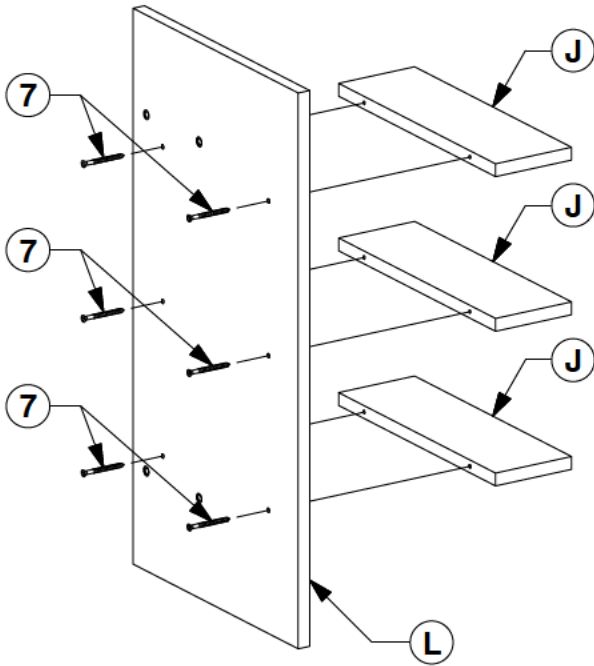


King Bed

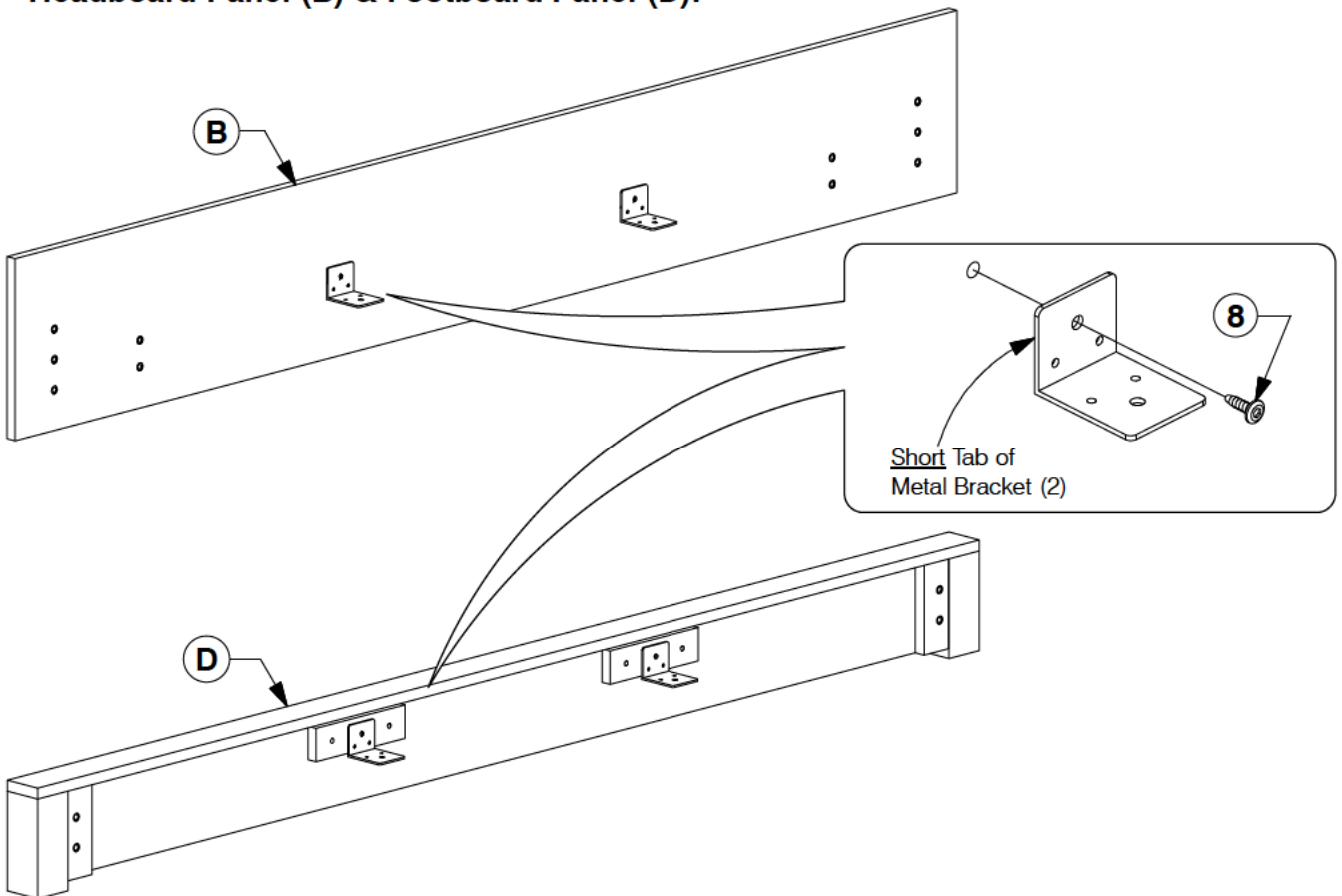
Assembly Instructions

WI1-0820

5 Fit the Shelf Panel (J) to the Side Panel (L/M).



6 Fit the Center Rail Bracket to the Headboard Panel (B) & Footboard Panel (D).

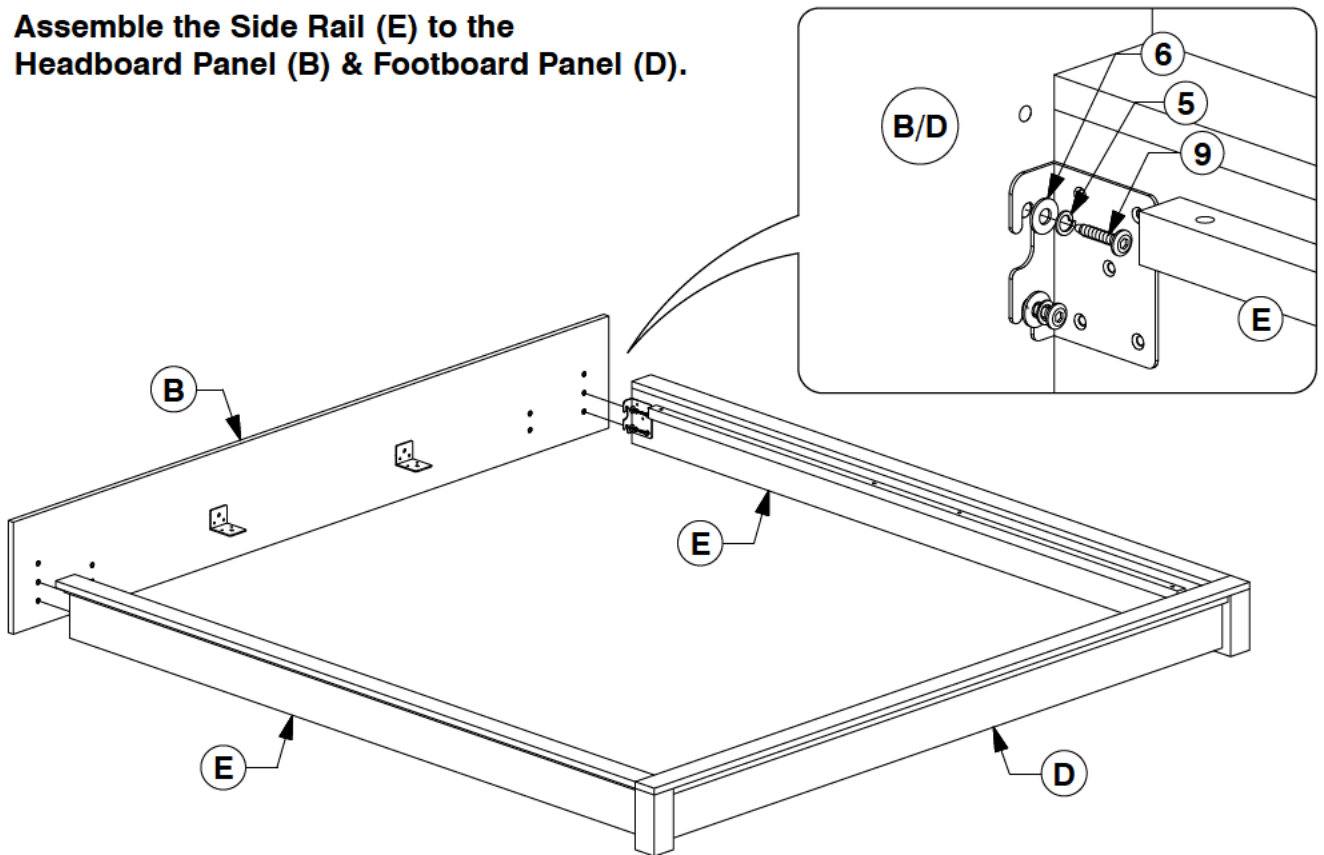


King Bed

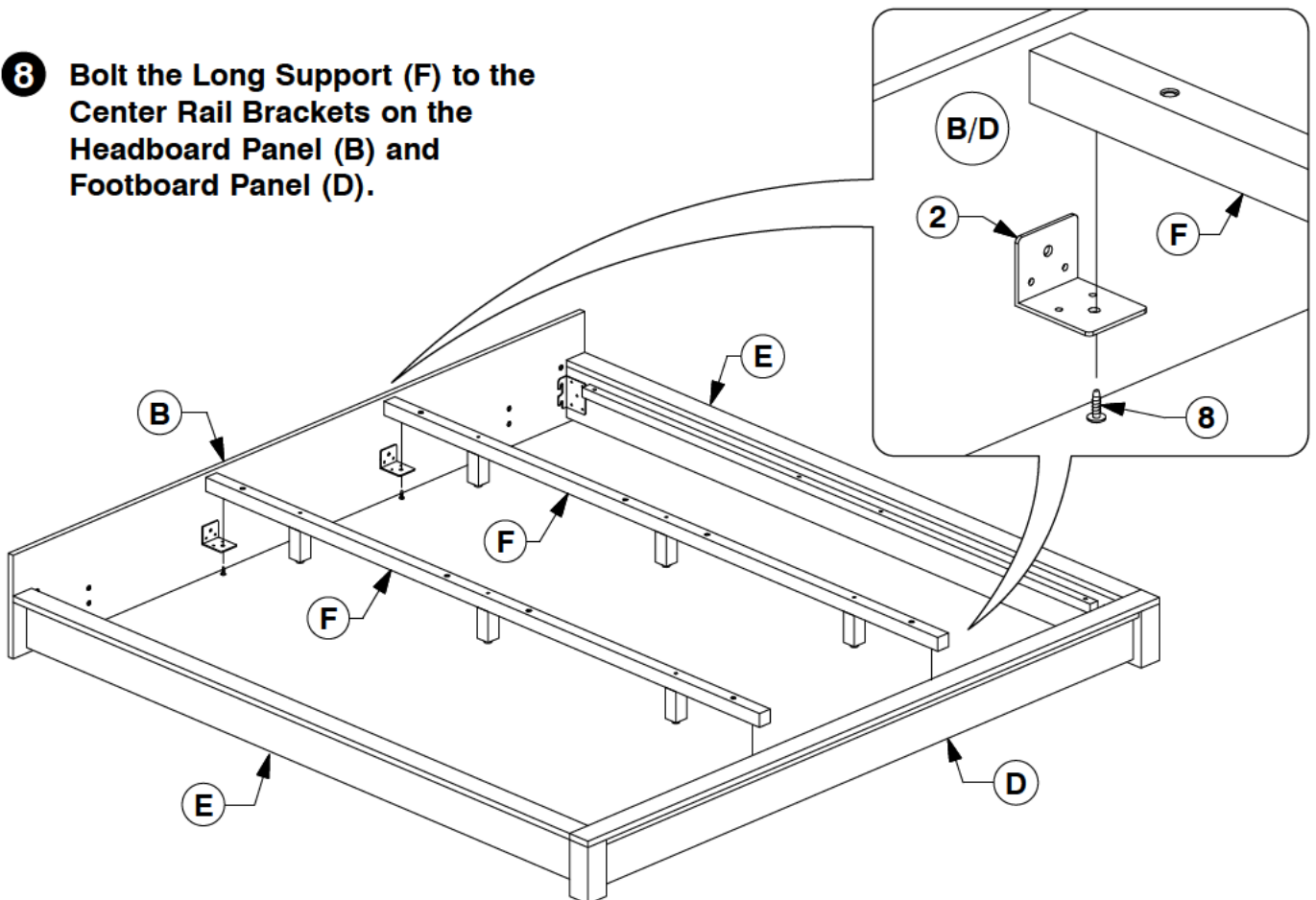
Assembly Instructions

0818

- 7** Assemble the Side Rail (E) to the Headboard Panel (B) & Footboard Panel (D).



- 8** Bolt the Long Support (F) to the Center Rail Brackets on the Headboard Panel (B) and Footboard Panel (D).

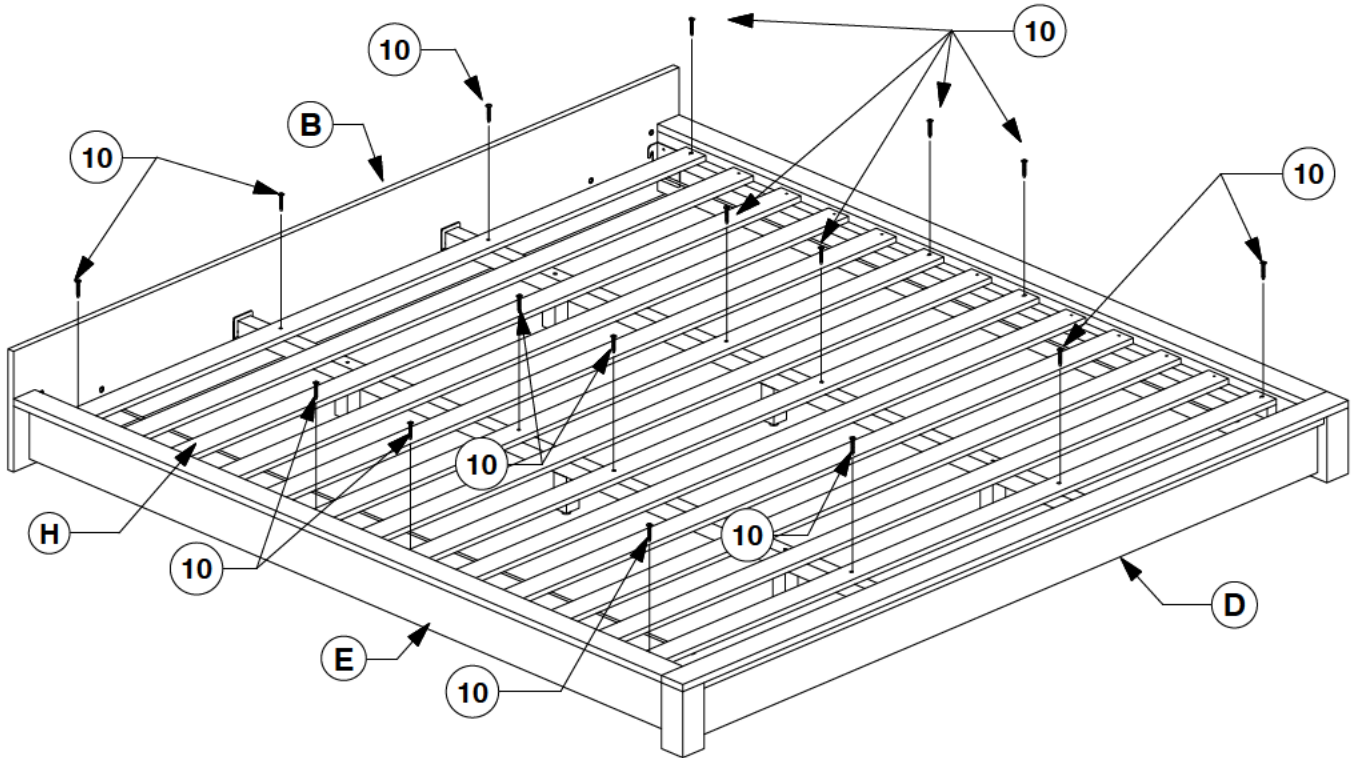


King Bed

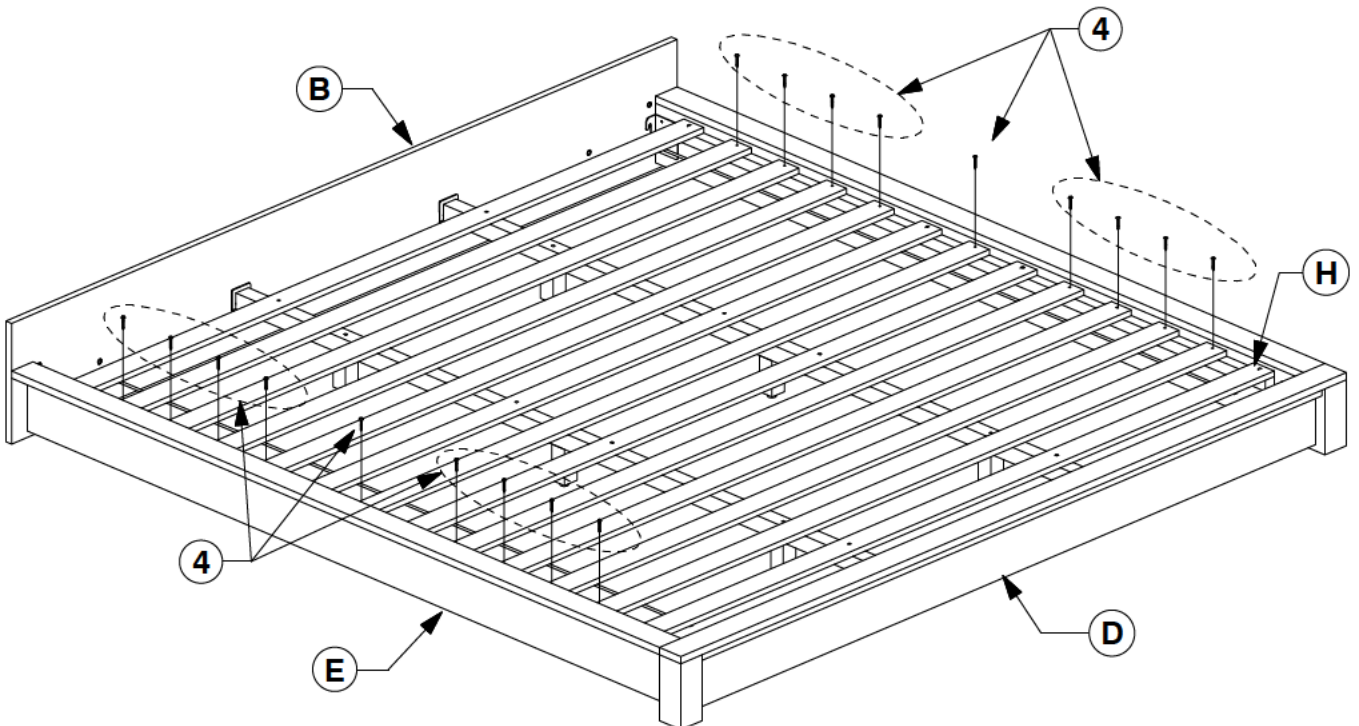
Assembly Instructions

0618

9 Bolt the Bed Slats (H) to the Side Rail (E).



10 Screw the Bed Slats (H) to the Side Rail (E).

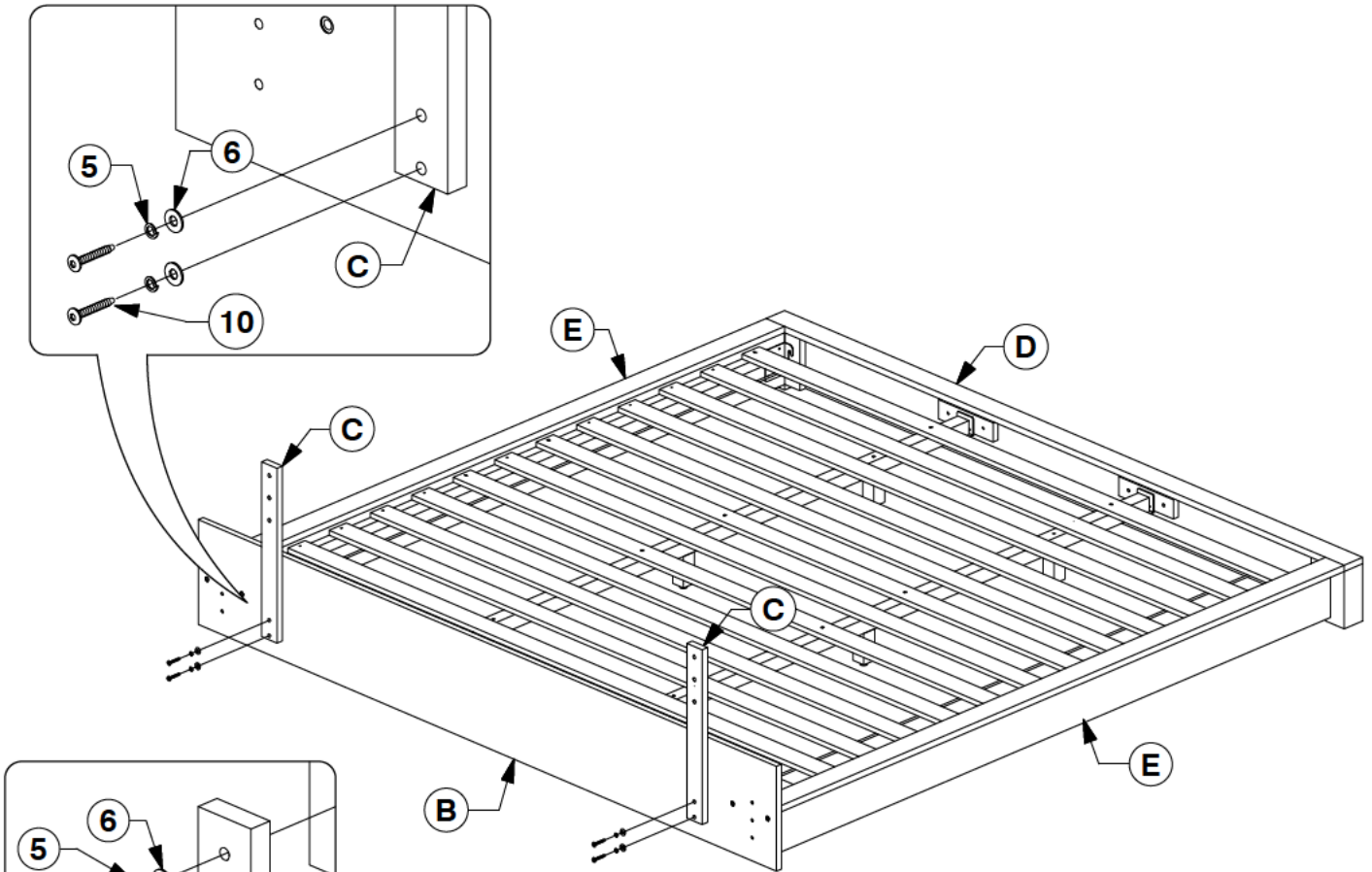


King Bed

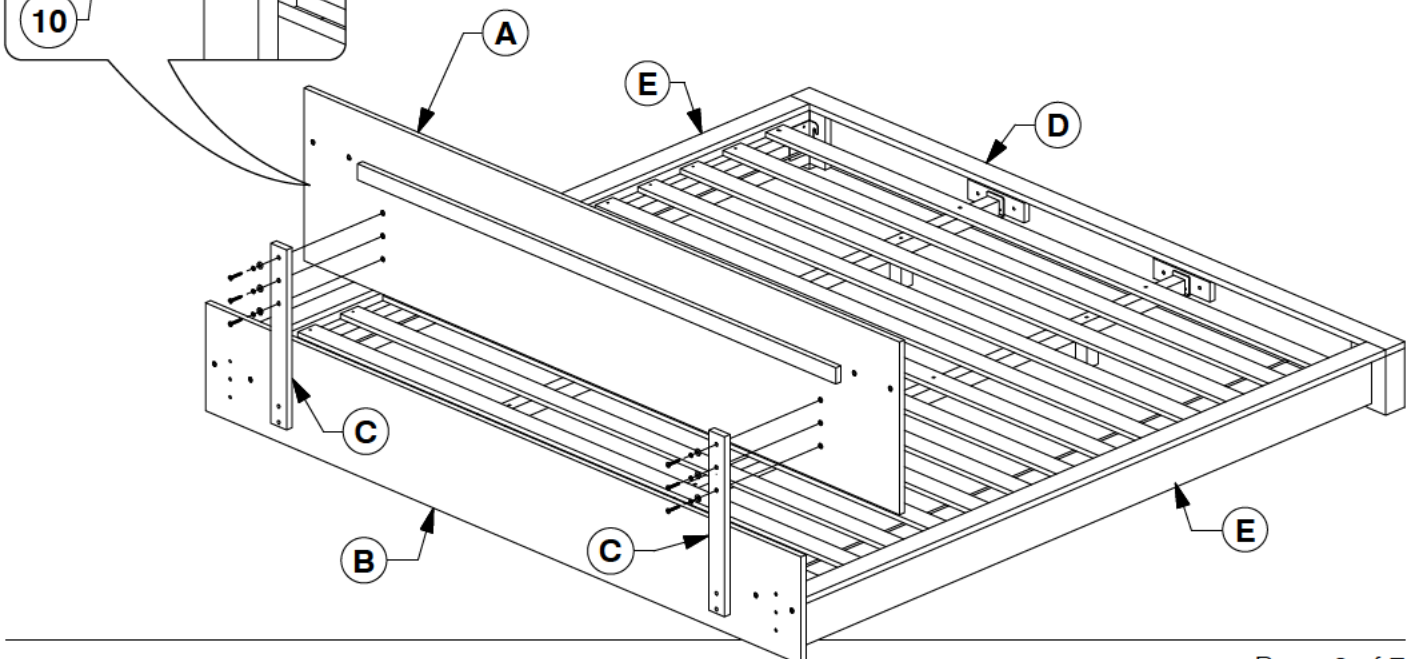
Assembly Instructions

0818

11 Assemble the Support Bars (C) to the Headboard Panel- Lower (B).



12 Assemble the Headboard Panel- Upper (A) to the Support Bars (C).

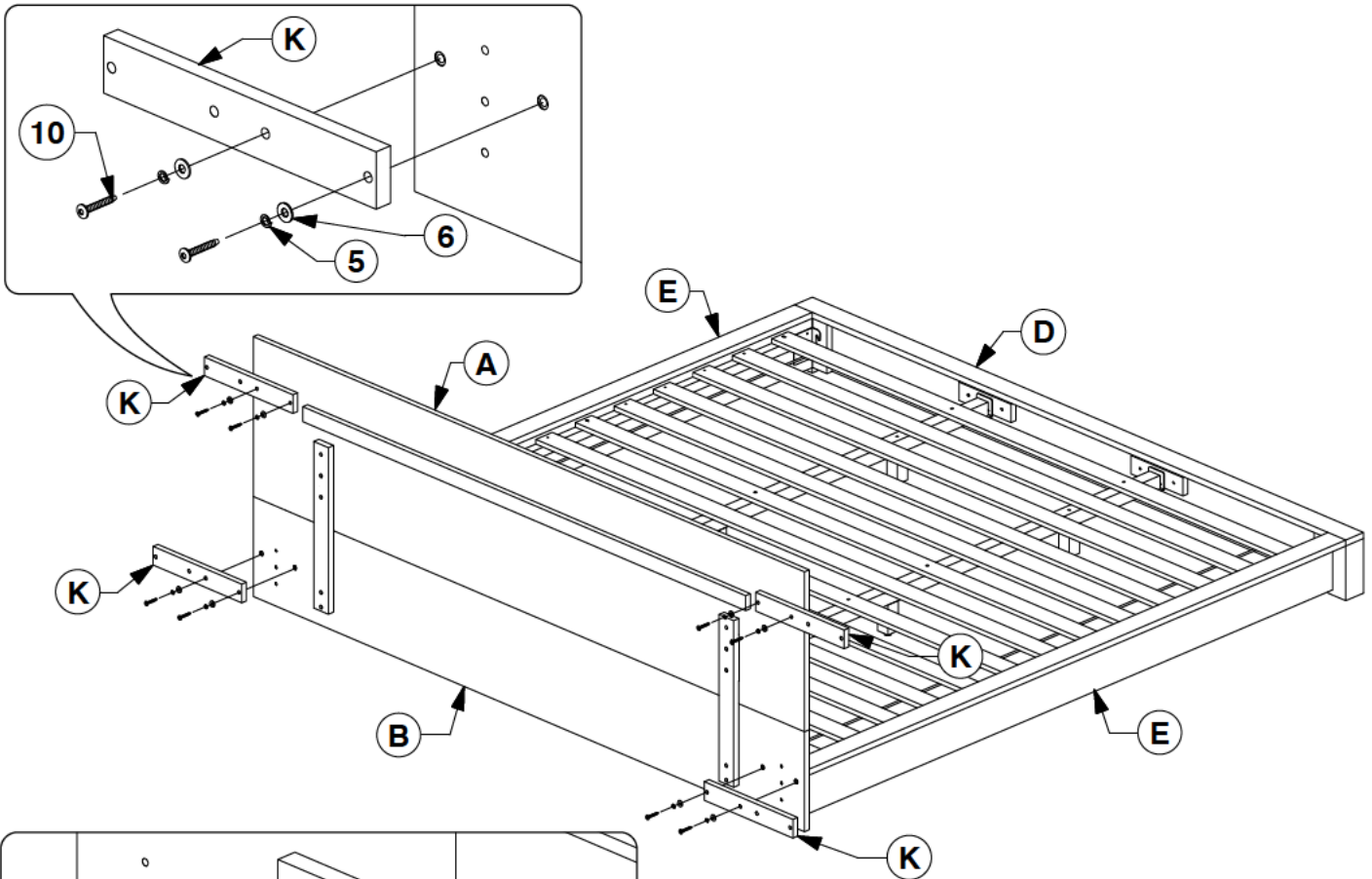


King Bed

Assembly Instructions

WI1-0820

13 Fit the Support Rail (K) with JCB on both sides.



14 Finally assembled the Side Panel (L & M) to the Support Rail (K) with JCB on both sides.

