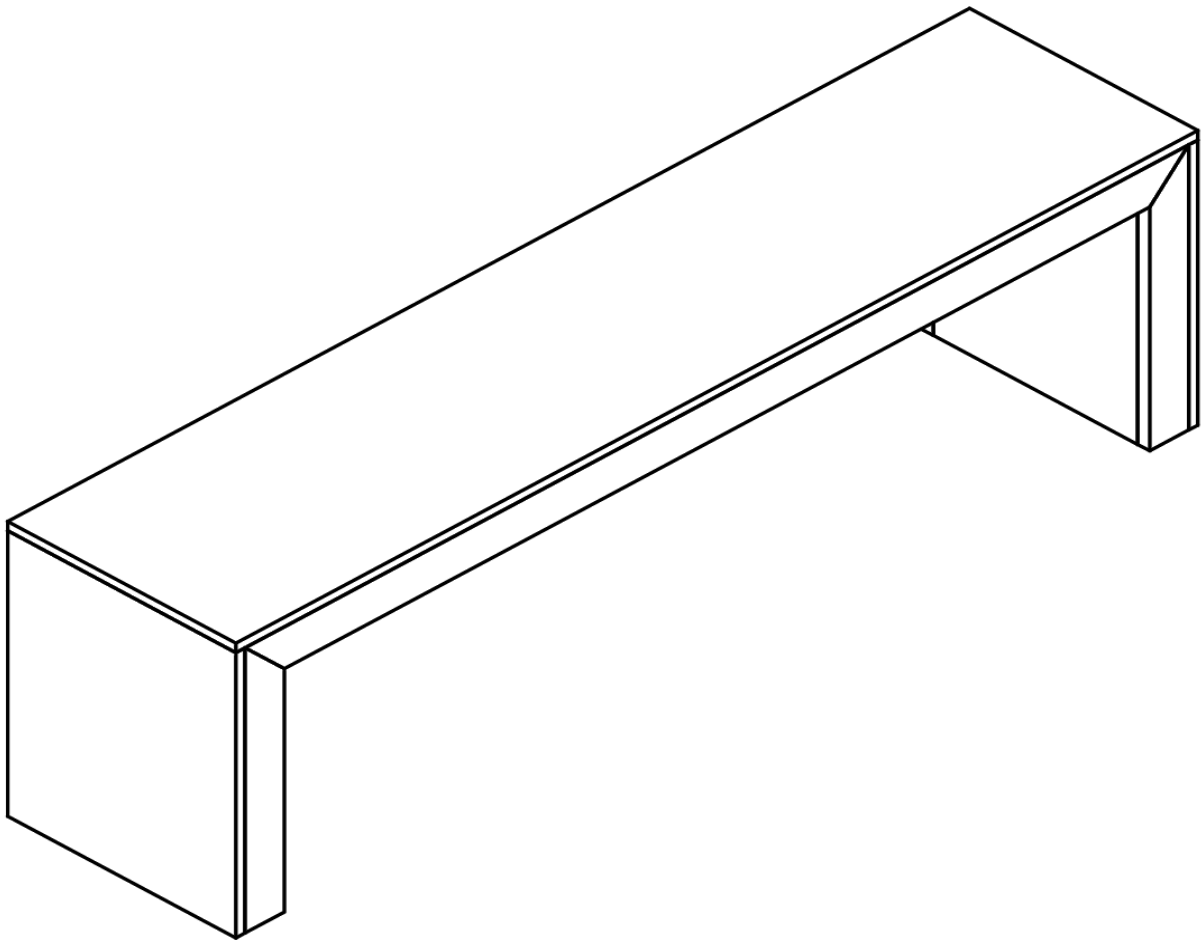


# Assembly Instructions

**CAUTION:** You must read this before you proceed.

**Please look in the Bench Top for hardware packs.**

## **BENCH**

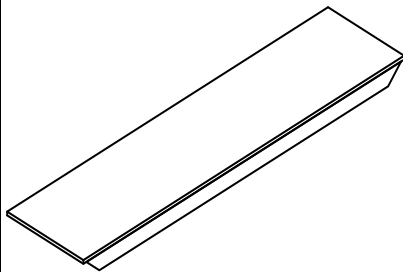
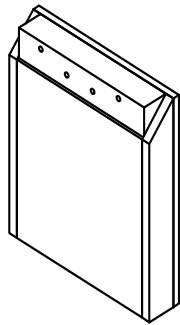


**Caution:** This Bench is NOT a TOY

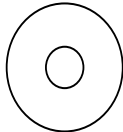
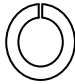
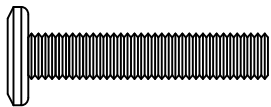
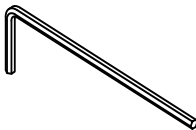
Keep your child/ children at bay during the assembly process.

Whenever moving/lifting the Bench and to prevent damage to the Bench two adults are needed to execute these actions.

# Parts List

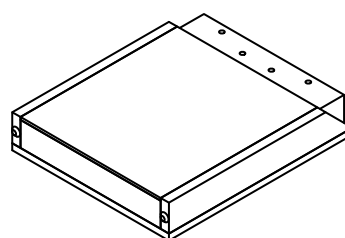
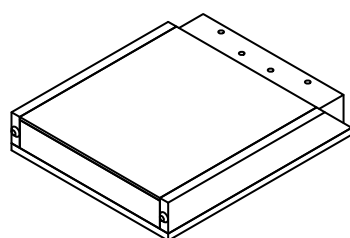
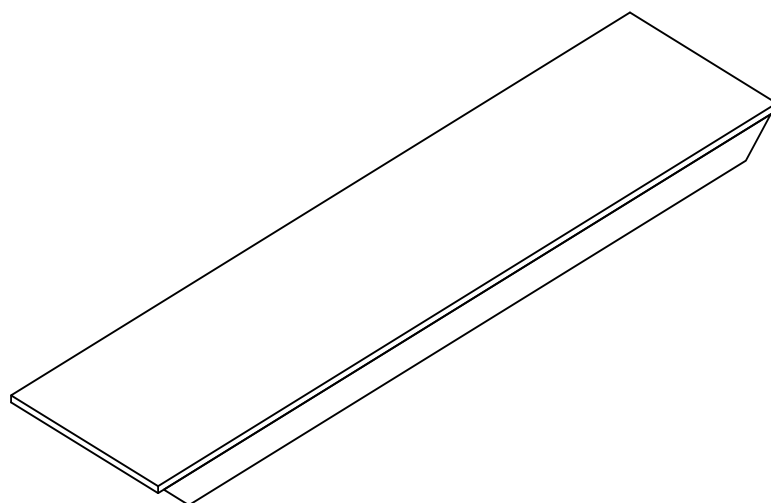
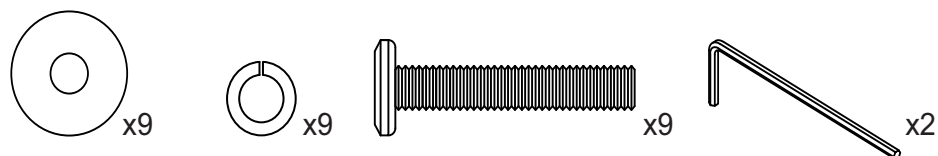
Label	Picture	Description	QTY
A		Bench Top	1
B		Leg	2

# Hardware

Label	Picture	Description	QTY
①		Flat Washer (6.5/20x2 mm)	9
②		Spring Washer (6.5/10.5x1.5 mm)	9
③		Bolt ( $\varnothing$ 6x 45mm)	9
④		Allen Key (K4)	2

# Assembly Preparation

## Before Beginning Assembly:



- Read instructions, cover to cover-



- Have 2 adults on hand for assembly-



- Do not assemble on flooring or carpet-



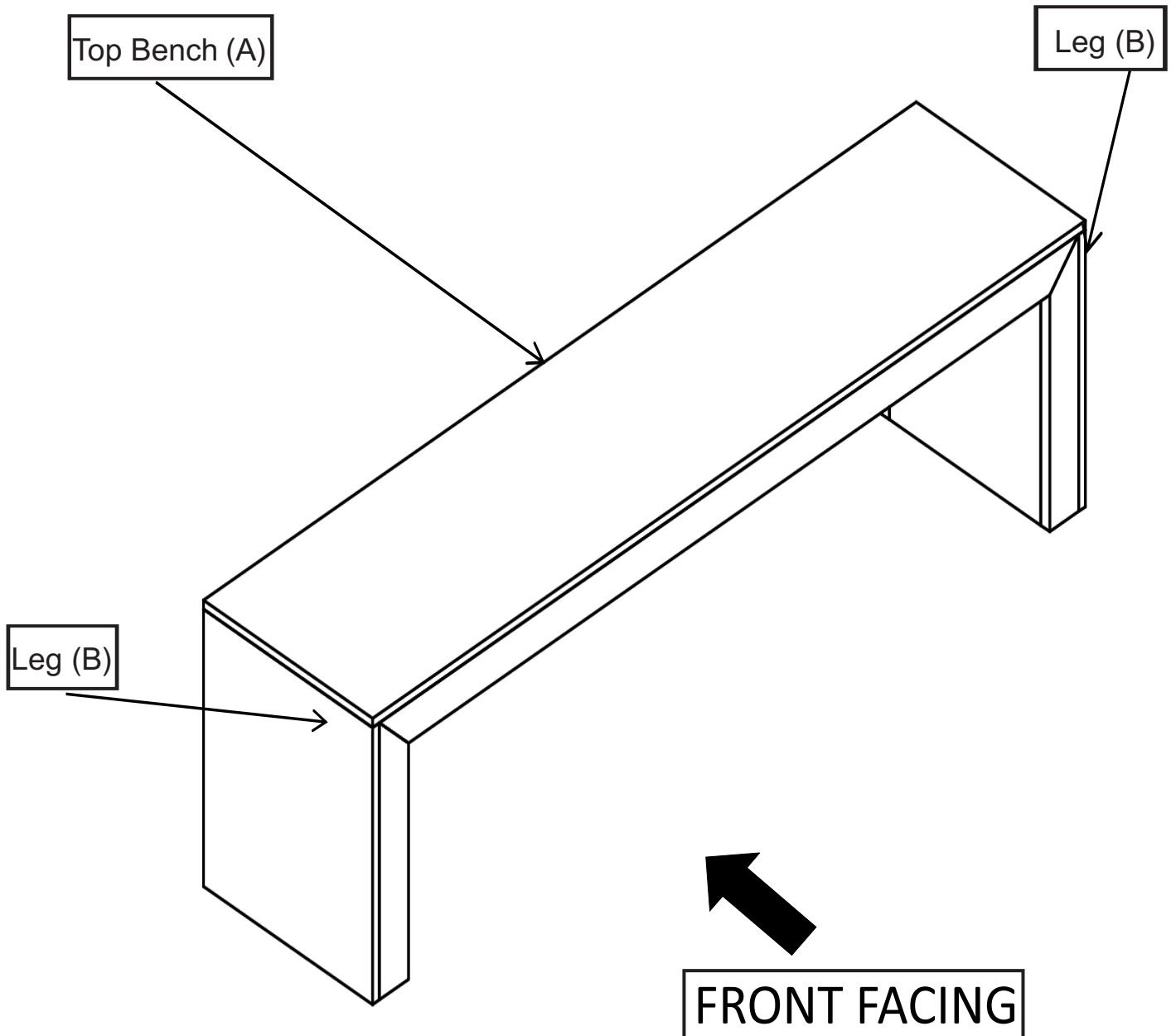
- Assemble on a clean non-marring surface (packing foam)-



- Save all packaging until finished-

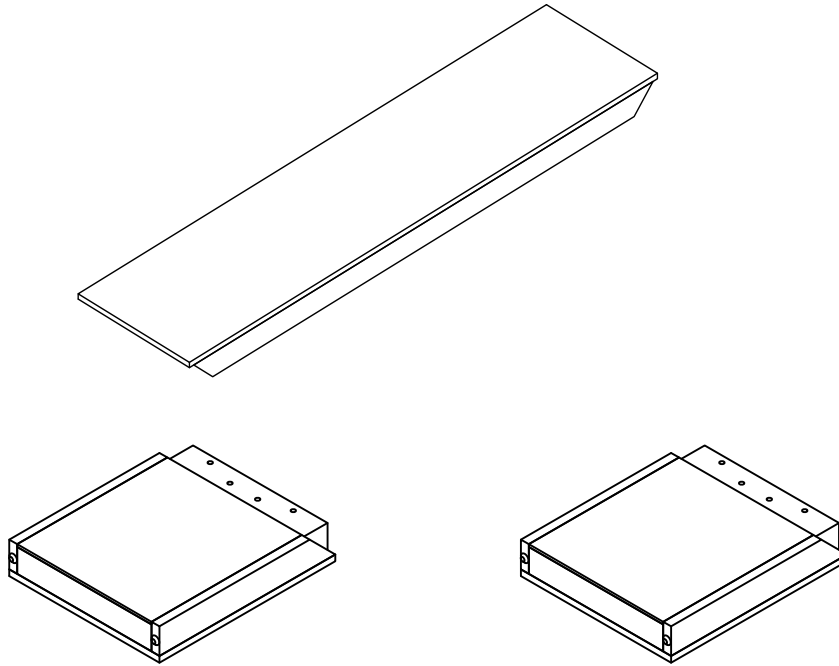
# Assembly Steps

## OVERVIEW



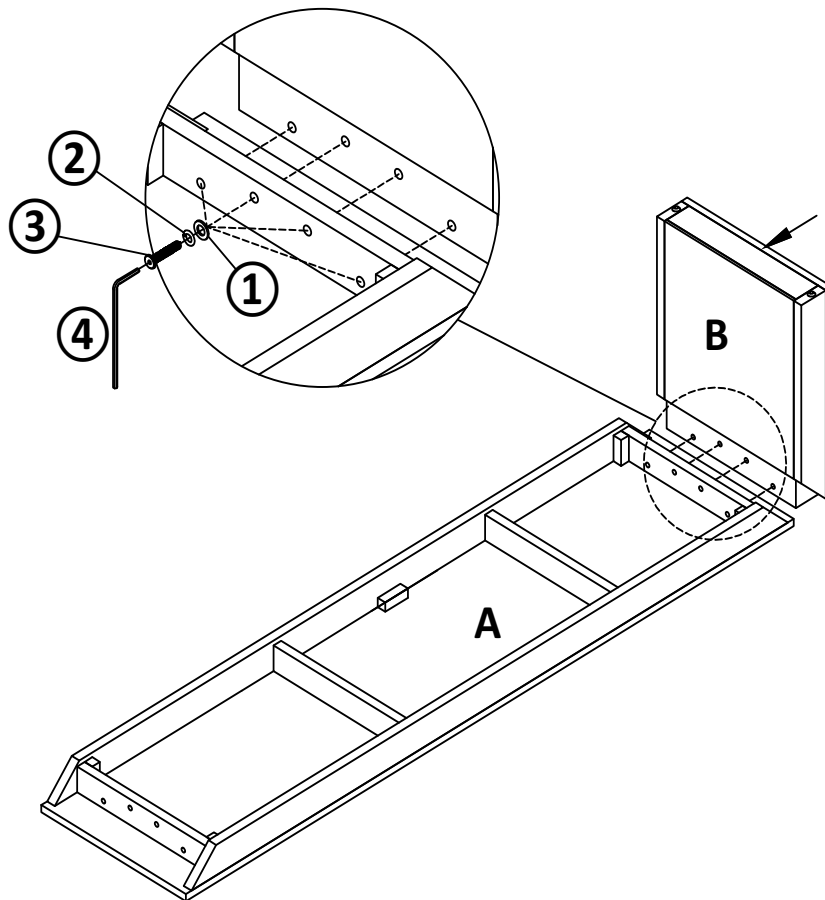
This Bench has multiple parts and may require up to some 30 minutes to assemble. To give you an overview of the Bench parts, the above picture is to help you put the various parts into perspective. Please read through the instructions below to familiarise yourself with the parts and steps before assembly.

## STEP1



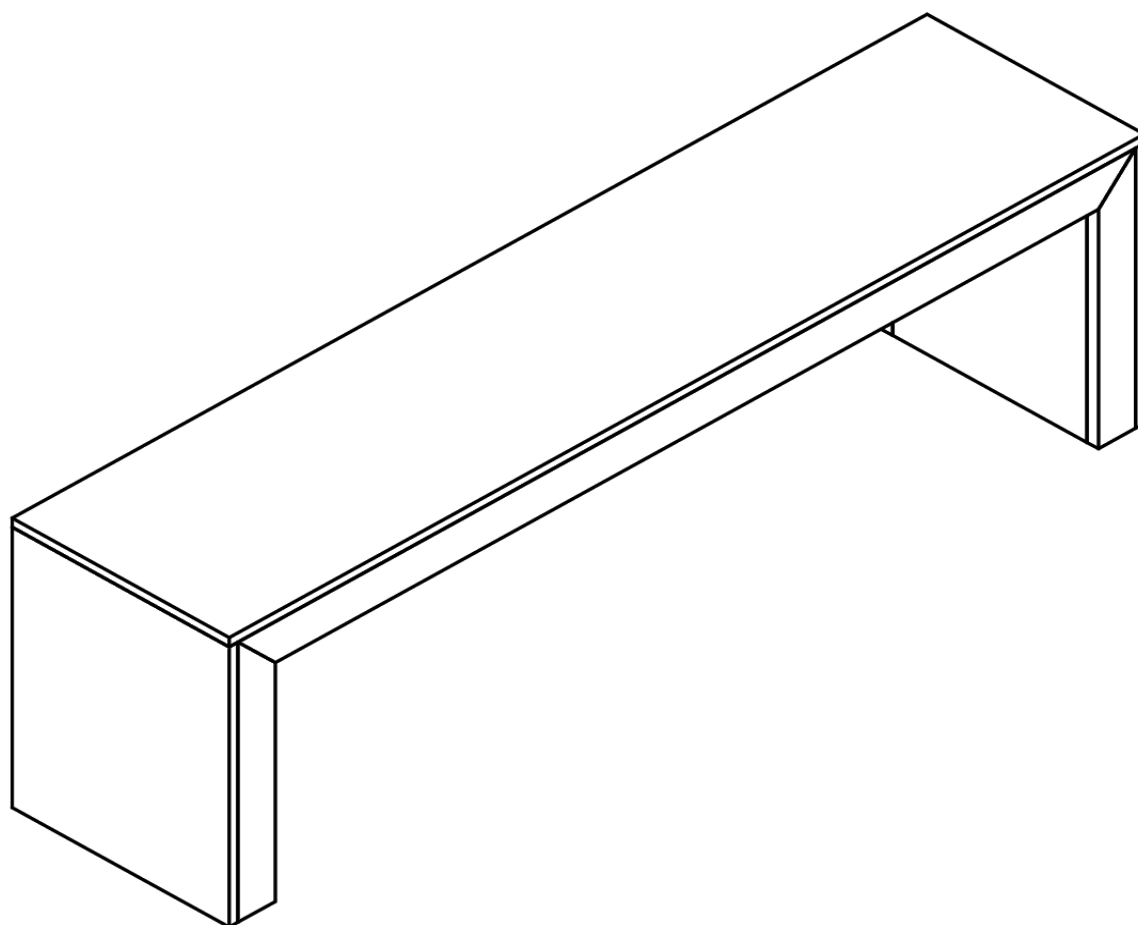
Unpack and place all parts on a clean, non-marring surface.

## STEP2



Attach the Right Leg (B) to the Bench Top (A) by using Flat Washer (①), Spring Washer (②), Bolt (③) and Alley Key (④) as shown above  
Repeat the same process with the Left Leg  
**Do not fully tighten the Bolts.**

### STEP3























Turn the Bench upright carefully.

Proceed to fully tighten all Bolts (③) with using the Allen Key (④) , in a sequential manner.

Ensure that all Bolts are securely tightened.

**The Bench is ready to use now.**

## Care & Maintenance

-   ● Do not put hot items directly on furniture surface
  -   ● Do not clean furniture with harsh cleansers or polish.
  -   ● Do not place furniture under direct sunlight.
  -   ● Do not place furniture near heating or cooling vents.
  -   ● Do not write on furniture without a padded barrier to protect the surface.
  -   ● Do not place furniture outside . For indoor use only .
  -   ● Not for commercial use. For residential use only .
  -   ● Stains may be removed with mild soap solution and damp cloth.
  -   ● Children should not climb or jump on the furniture.
- 
-   ● Dust and pick-up spills using a clean, non-colored, lint-free cloth .