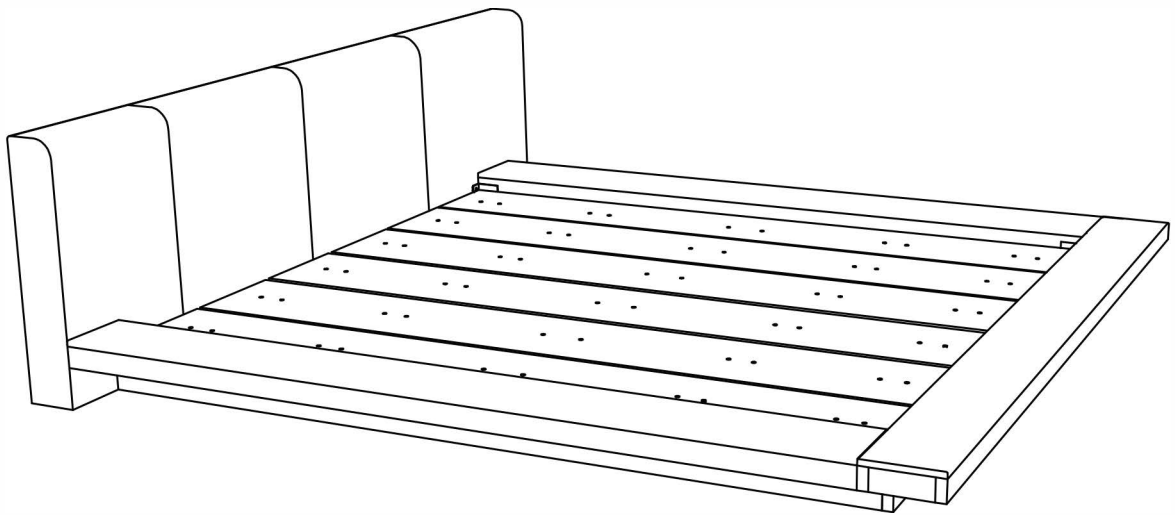


Assembly Instructions



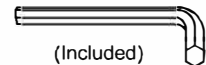
ASSEMBLY RATING

The Assembly Rating is a 5-point system that shows the degree of effort needed in assembling a specific product (with 1 being easy and 5 being difficult). For some products, two persons are recommended.

EASY  DIFFICULT

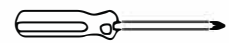
Tools Required For Assembly:

Allen Wrench



(Included)

Phillips Screwdriver



(Not Included)

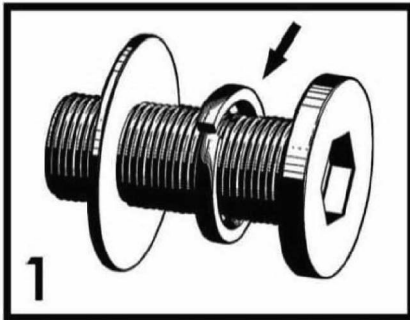


2 PERSONS RECOMMENDED

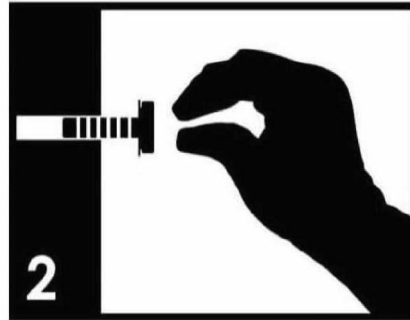
ASSEMBLY & CARE ADVICE

FOR YOUR FURNITURE TO LAST, CORRECT ASSEMBLY AND PROPER MAINTENANCE ARE NECESSARY. PLEASE FOLLOW THE INFORMATION PROVIDED BELOW TO FULLY ENJOY YOUR FURNITURE.

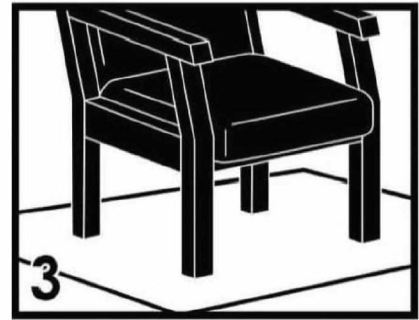
BASIC ASSEMBLY TECHNIQUES



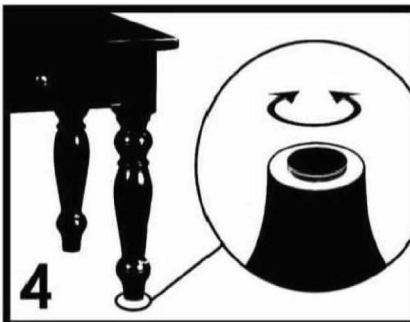
When lock or spring washer is used in an assembly, please make sure the lock or spring washer is placed between the larger flat washer and the head of the screw or bolt.



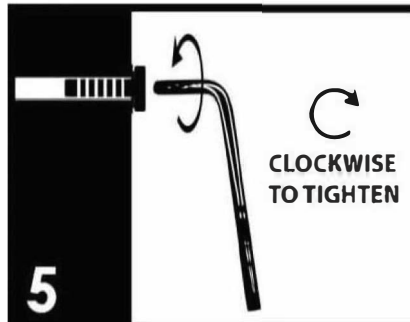
Position each part correctly and insert screws or bolts into their respective holes by hand tighten or using the proper hand tool. Only tighten when step is completed or when instructed to do so.



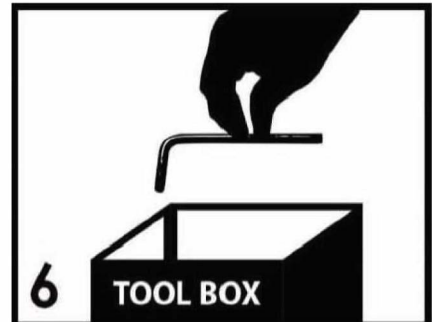
Use cardboard or carpet area when assembling furniture to prevent scratches. Make sure the furniture rests on a flat and level surface with each leg evenly touching the floor. No dragging of products/parts.



Some furniture comes with height adjustment knobs underneath each leg. To lower or to raise each leg, you need to turn clockwise or counterclockwise, respectively.



Make sure all parts are properly aligned, then use the appropriate hand tool to completely tighten the bolts or screws. Do not use power tools and do not overtighten.



Save the instructions and store the Allen wrench or any supplied tool for later maintenance. After two weeks, check and tighten any loose hardware and repeat again every six months thereafter.

IT IS THE USER'S RESPONSIBILITY TO MAINTAIN THE FURNITURE. THE HARDWARE MAY LOOSEN OVER TIME AND MAY CAUSE THE FURNITURE TO BE WOBBLY AND UNABLE TO SUPPORT ITS INTENDED WEIGHT CAPACITY. THIS MAY LEAD TO COLLAPSE AND MAY CAUSE SERIOUS INJURY.



FAILURE TO FOLLOW THE GUIDELINES ABOVE MAY RESULT IN INJURY AND/OR PROPERTY DAMAGE.

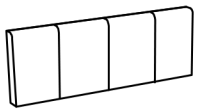


Before you begin, please read Page 2 of "Assembly and Care Advice".

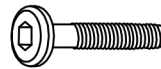
And remember, do not tighten until each step is completed or instructed.

Parts List

Hardware List



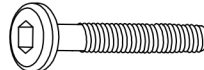
#1 x 1pc
Headboard Cushion



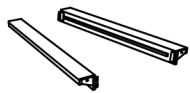
#A x 10pcs
Bolt 1/4" x 2"



#2 x 1pc
Footboard



#B x 4pcs
Bolt 5/16" x 2-3/4"



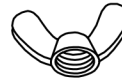
#3 x 2pcs
Side Rail



#C x 8pcs
Flat Washer



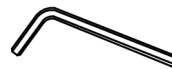
#4 x 3pcs
Bed Slat w/o marking
1951 x 45 x 18mm



#D x 4pcs
Wing Nut M8



#5 x 2pcs
Bed Slat with marking
1951 x 45 x 18mm



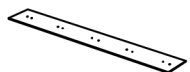
#E x 1pc
Allen Key m4



#6 x 10pcs
Bed Slat Support
82 x 30 x 30mm



#F x 1pc
Allen Key m5



#7 x 6pcs
Concealed Panel
2040 x 295 x 9mm



#G x 10pcs
CSK m4 x 32mm



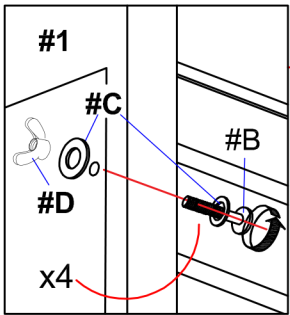
#H x 30pcs
P.H Screw m3.5x20mm



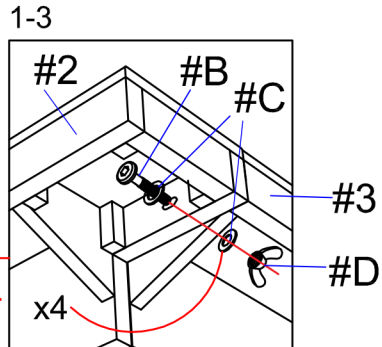
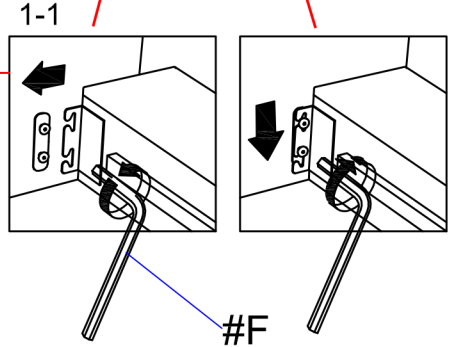
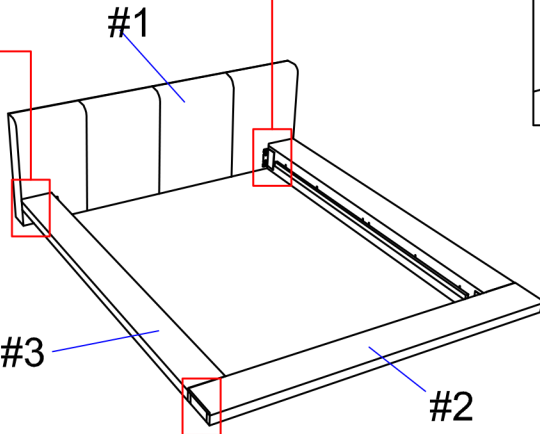
#1

#B x 4pcs
#C x 8pcs
#D x 4pcs

1) Prepare 4 bolts assembly by inserting washer (#C) onto bolts (#B). Insert bolts (#B) to headboard (#1) 75% in, then hook side rails (#3) to the bolts (#B) on headboard (#1). Secure by inserting washer (#C) and wing nut (#D) from the back of the headboard (#1) onto bolts (#B).



BACK VIEW OF HEADBOARD



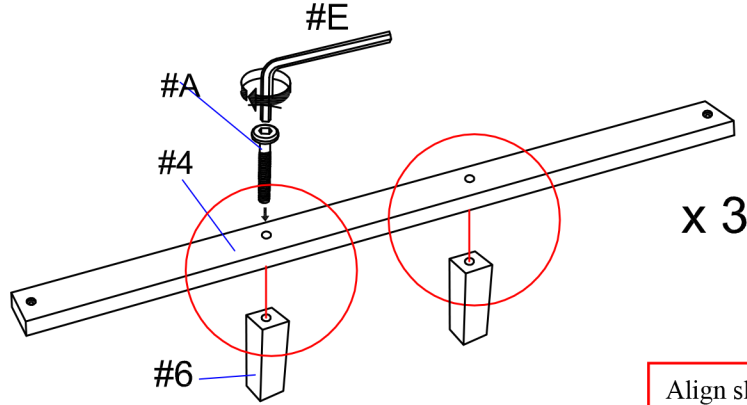
BOTTOM VIEW OF FOOTBOARD

2) Align footboard (#2) to the bottom holes of the side rails (#3). Insert bolts (#B) from footboard (#2) to side rails (#3), then secure by inserting washer (#C) and wing nut (#D) from the other end of the bolts (#B).

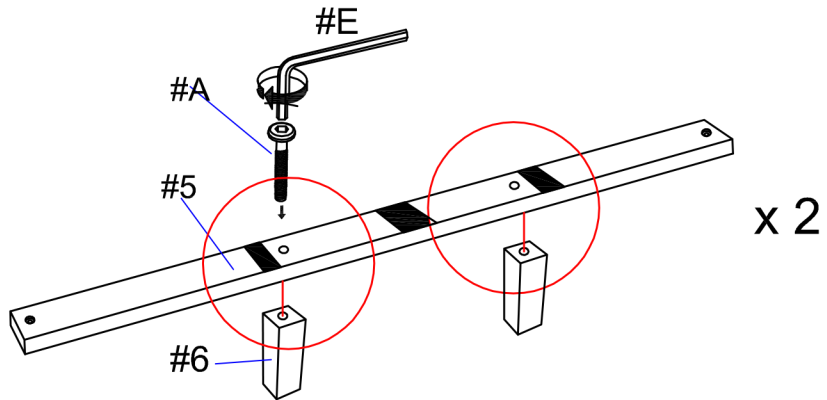


#2

#A x 10pcs



Align slat support legs (#6) to the holes of the slats (#4,5). Secure by using bolts (#A).

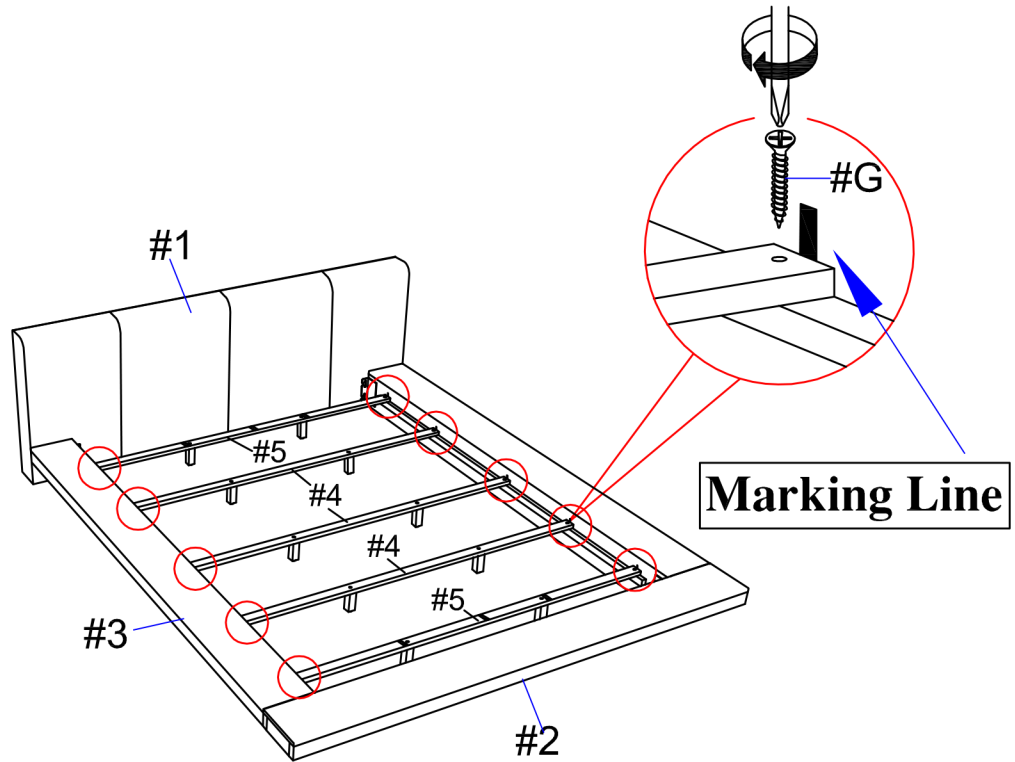




#3

#G x 10pcs

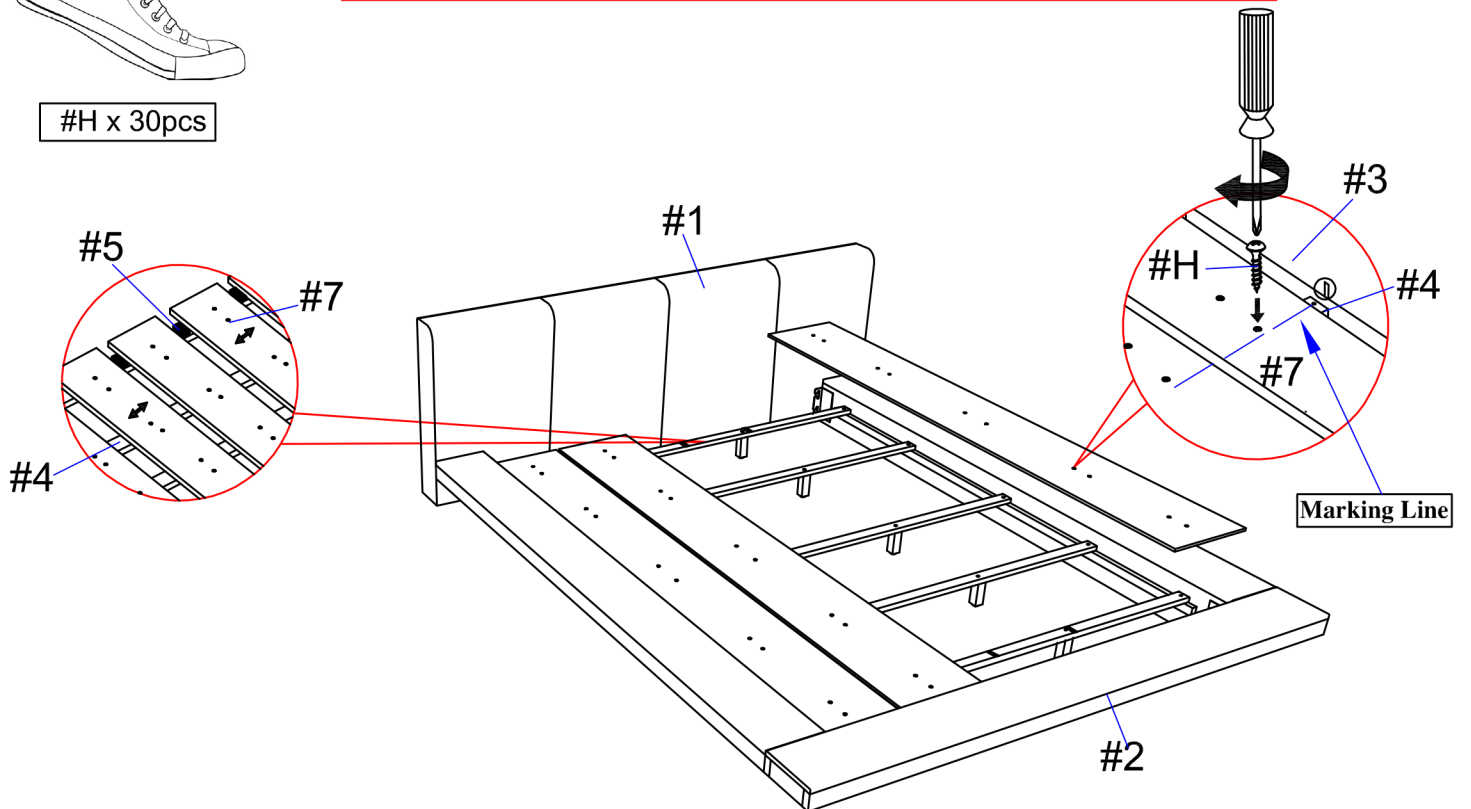
Place slats (#4,5) to the side rails (#3) as shown in the picture. Secure by using screws (#G).



#4

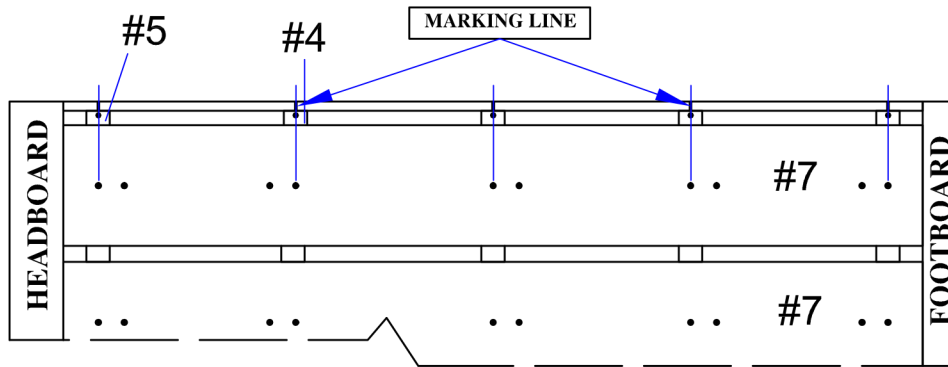
#H x 30pcs

1) Please refer to steps (#5) on how to align and place concealed panels (#7) correctly.
2) Secure concealed panels (#7) to bed slats by using screws (#H).





This is how the concealed panels (#7) look like on the bed from a high view.



ASSEMBLY COMPLETED

