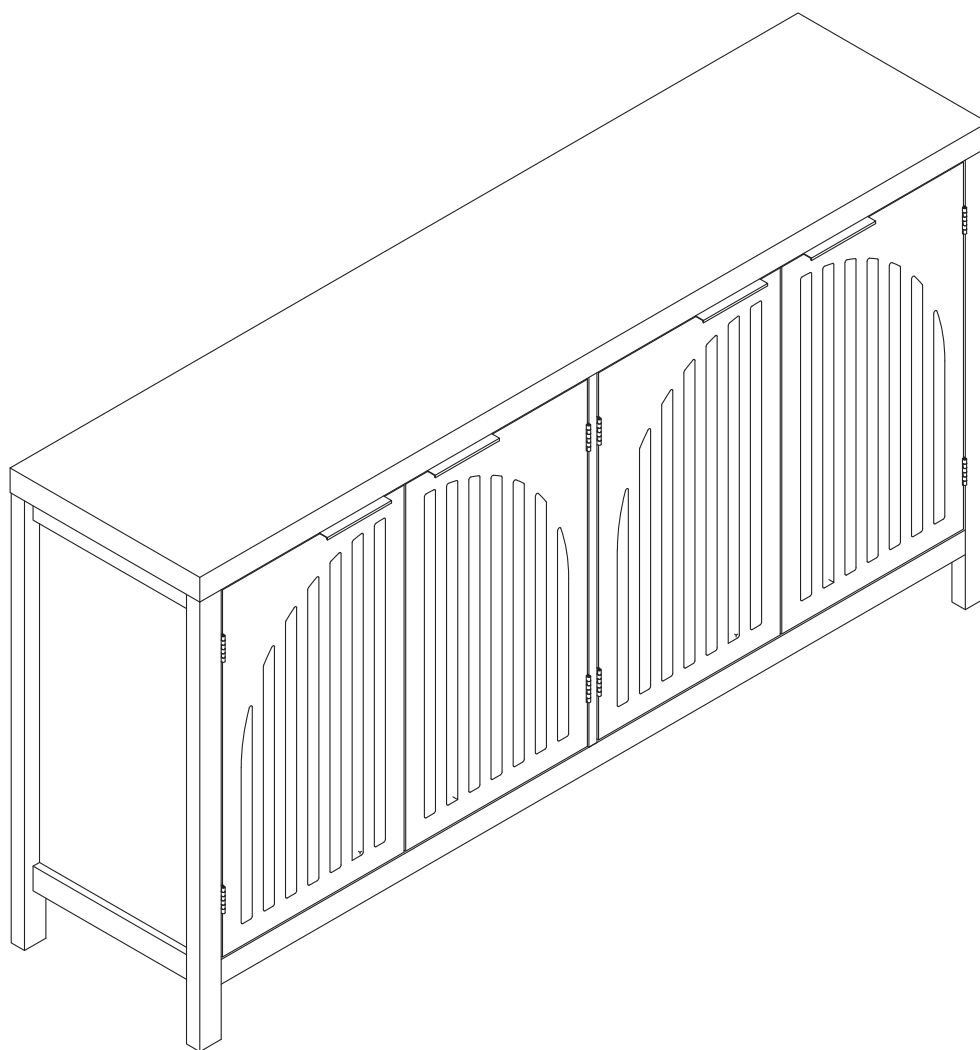


Sideboard Cabinet

ASSEMBLY, CARE & USE INSTRUCTIONS



PRQ25072003

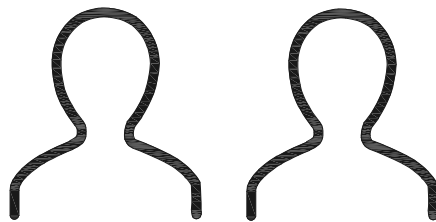
THANK YOU

We appreciate the trust to purchase our Sideboard Cabinet. We strive to continually create quality products designed to enhance your home. Visit us online to see our full line of products available for your home improvement needs. Thank you for choosing us!



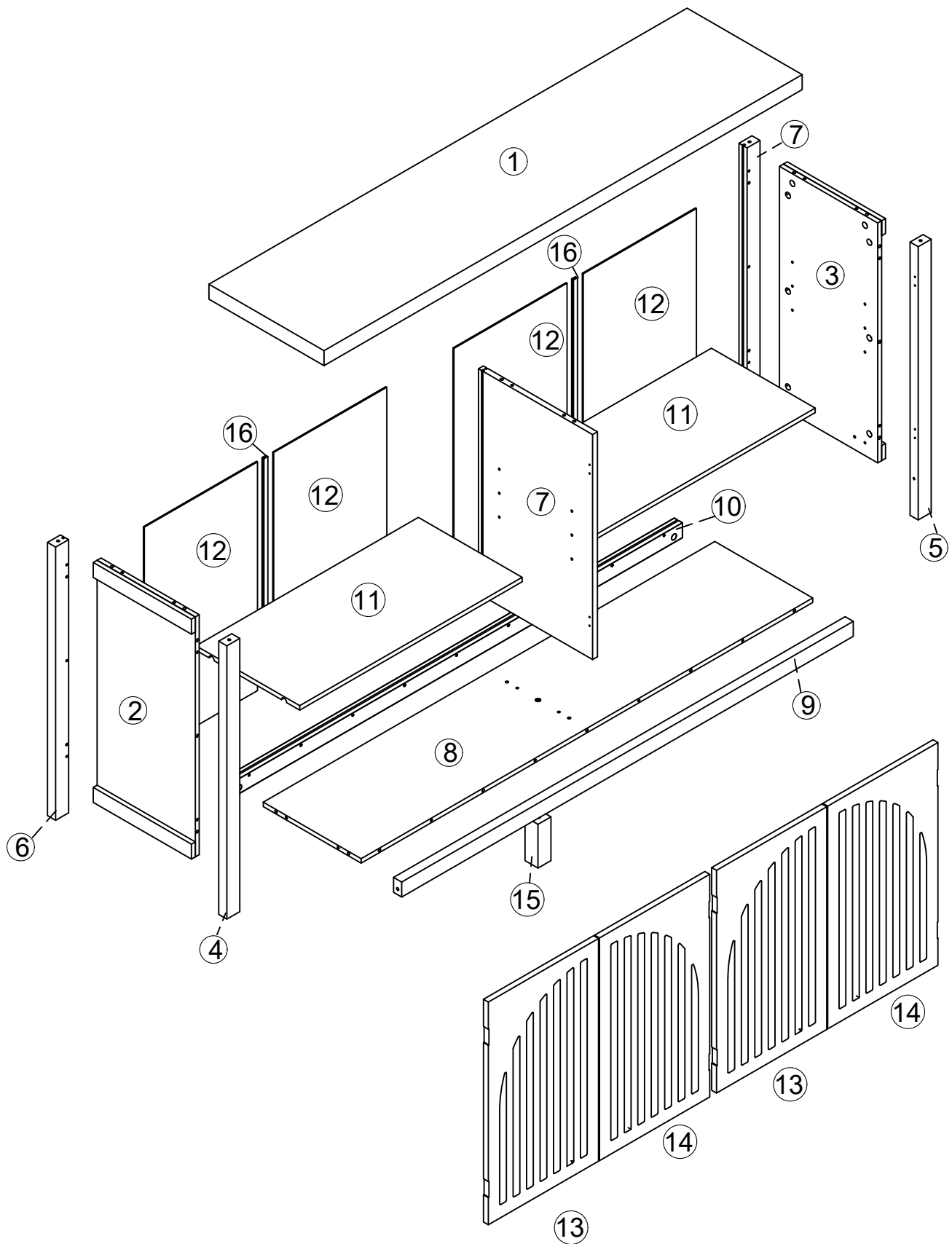
Estimated time for assembly:

50 mins

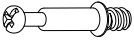


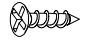
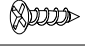

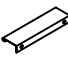
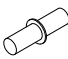


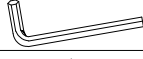




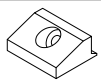


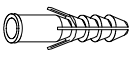




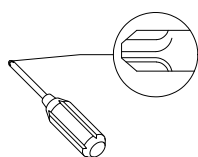
2 Personer

PACKAGE CONTENTS



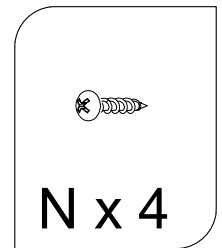
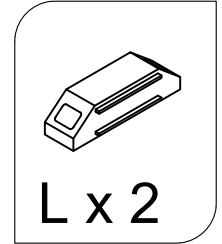
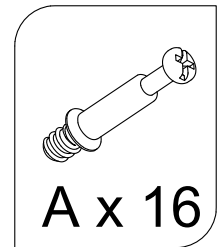
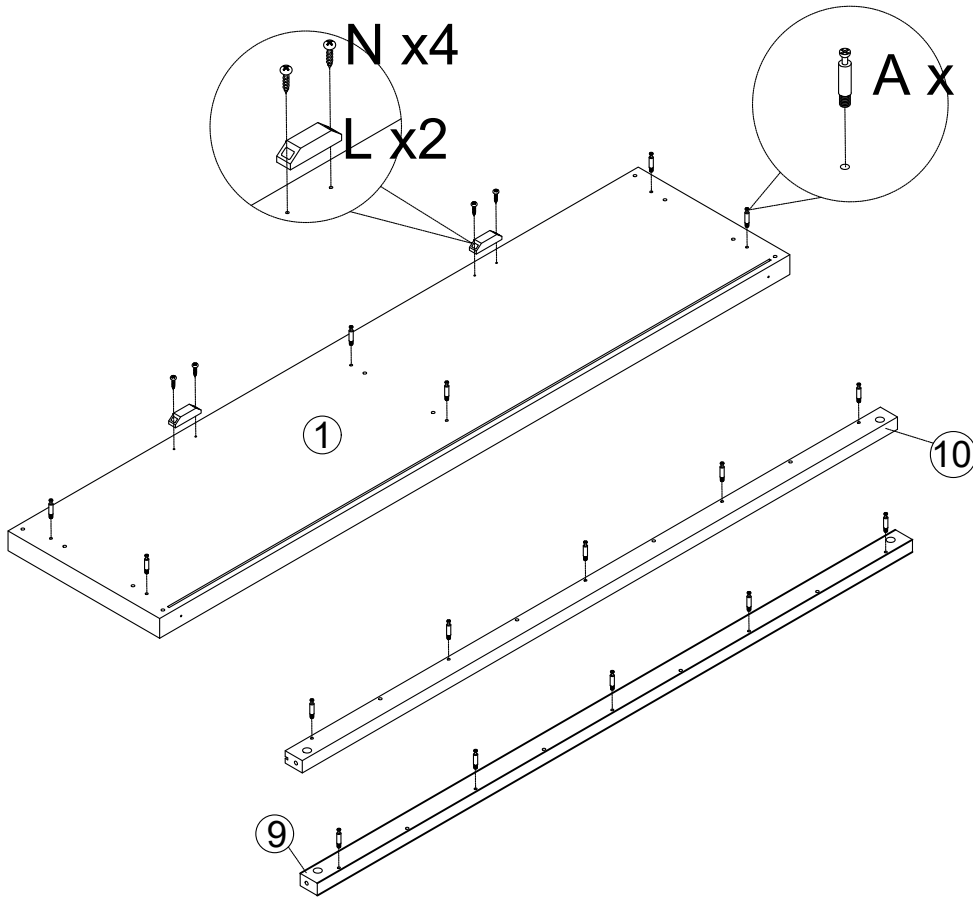
Hardware List

A		ø6x33.5mm	Cam bolt	36+2 PCS
B		ø15x9.5mm	Cam lock	36+2 PCS
C		ø6x30mm	Wood dowel	32+2 PCS
D		ø3.5*12mm	Screw	32+2 PCS
E		ø3.5x12mm	Screw	12+2 PCS
F			Hinge	8 PCS
G			Handle	4 PCS
H		ø5x13.5mm	Shelf support pin	8+1 PCS
I		M6x20mm	Bolt	1 PCS
J		ø6x48mm	Screw	2 PCS
K		M4	Hex key	1 PCS
L		60x17x16mm	Magnetic door touch	2 PCS
M		34x12x1mm	Iron sheet	4 PCS
N		ø3x16mm	Screw	4 PCS
O		ø30mm	Sticker	36+2 PCS
P			Back buckle	8 PCS
Q		ø3x16mm	Flat-head screw	8 PCS
R		190x20mm	Anti-slip strip	2 PCS
S		ø8x40mm	Plastic expansion	2 PCS
T		ø4x14mm	Screw	2 PCS
U		ø4x38mm	Screw	2 PCS

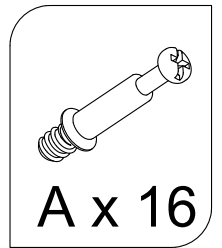
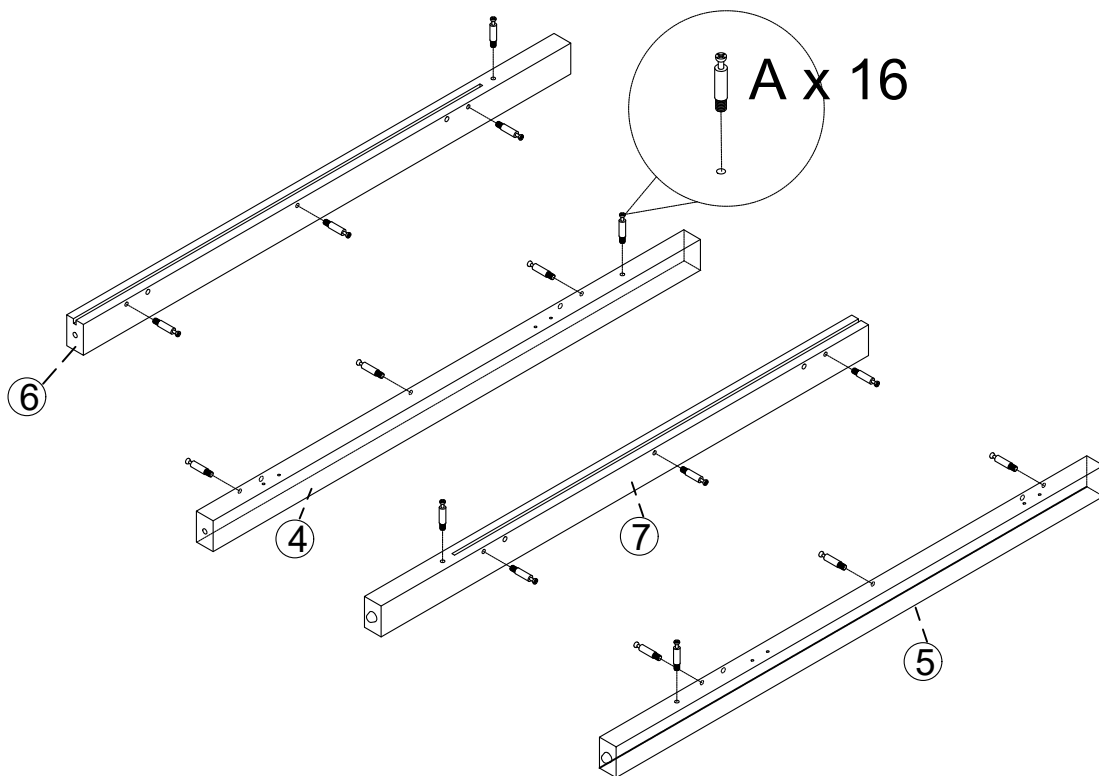


Philips head screwdriver required for assembly
(not included)

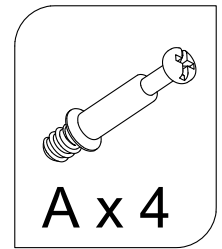
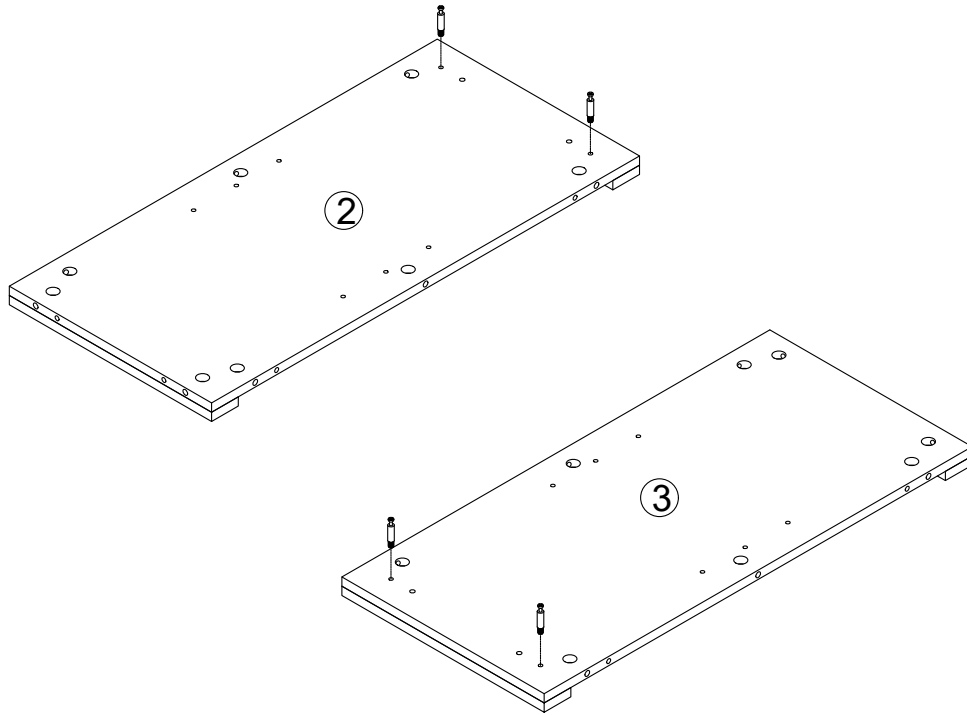
Step 1



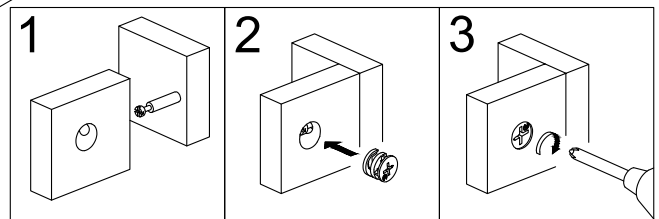
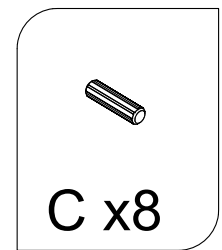
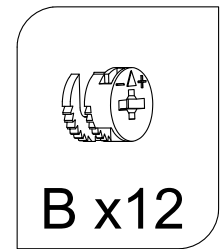
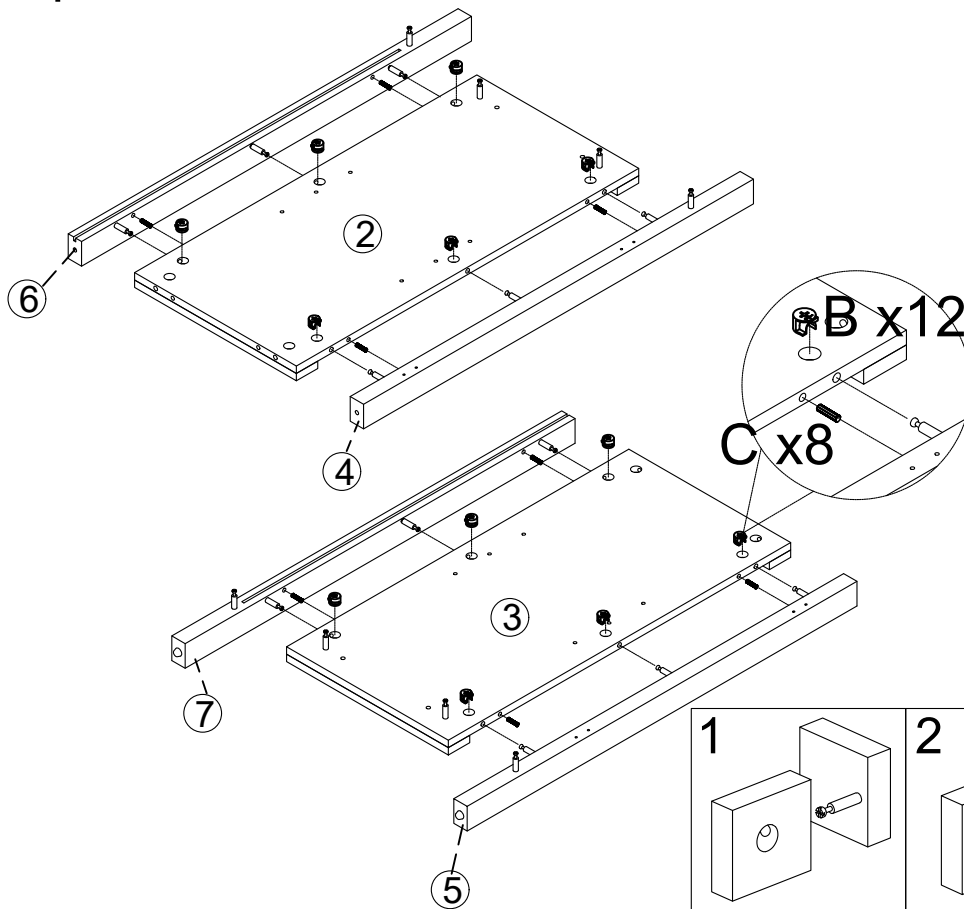
Step 2



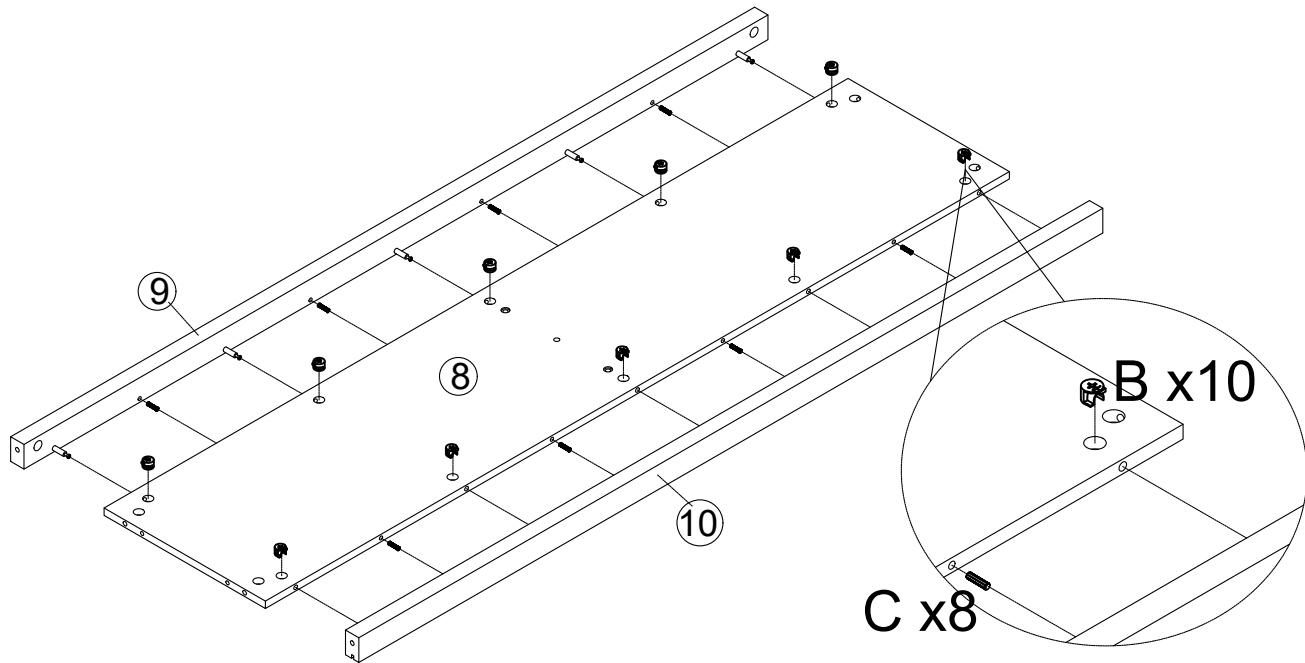
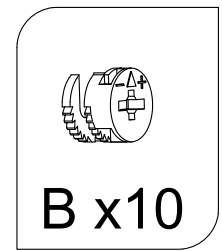
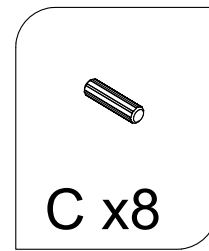
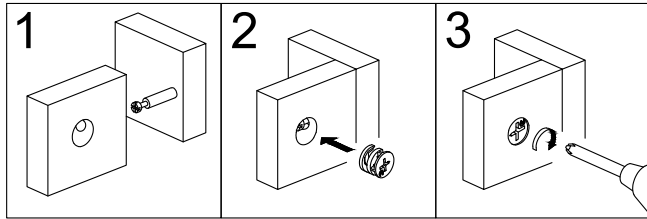
Step 3



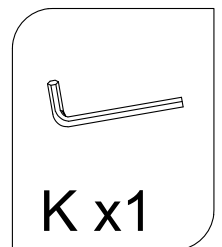
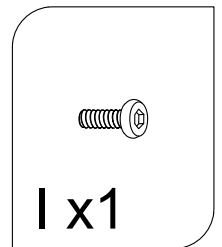
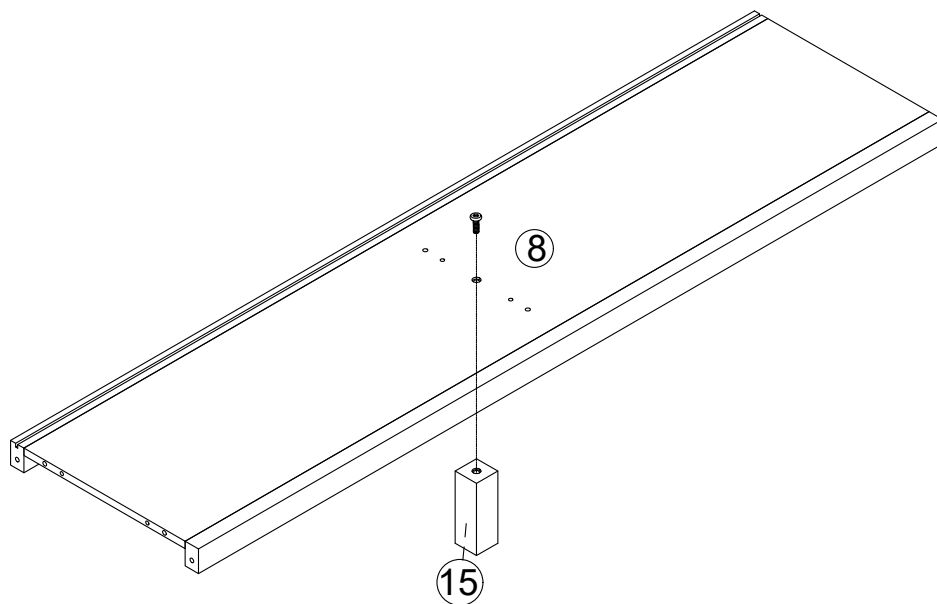
Step 4



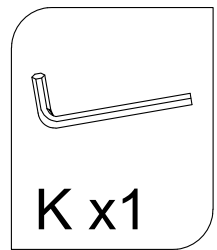
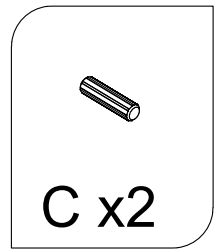
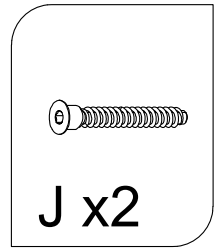
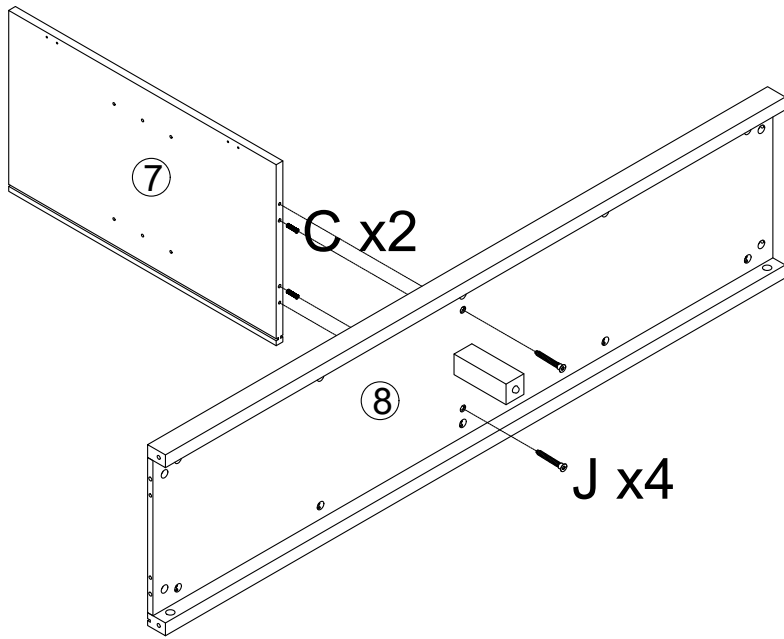
Step 5



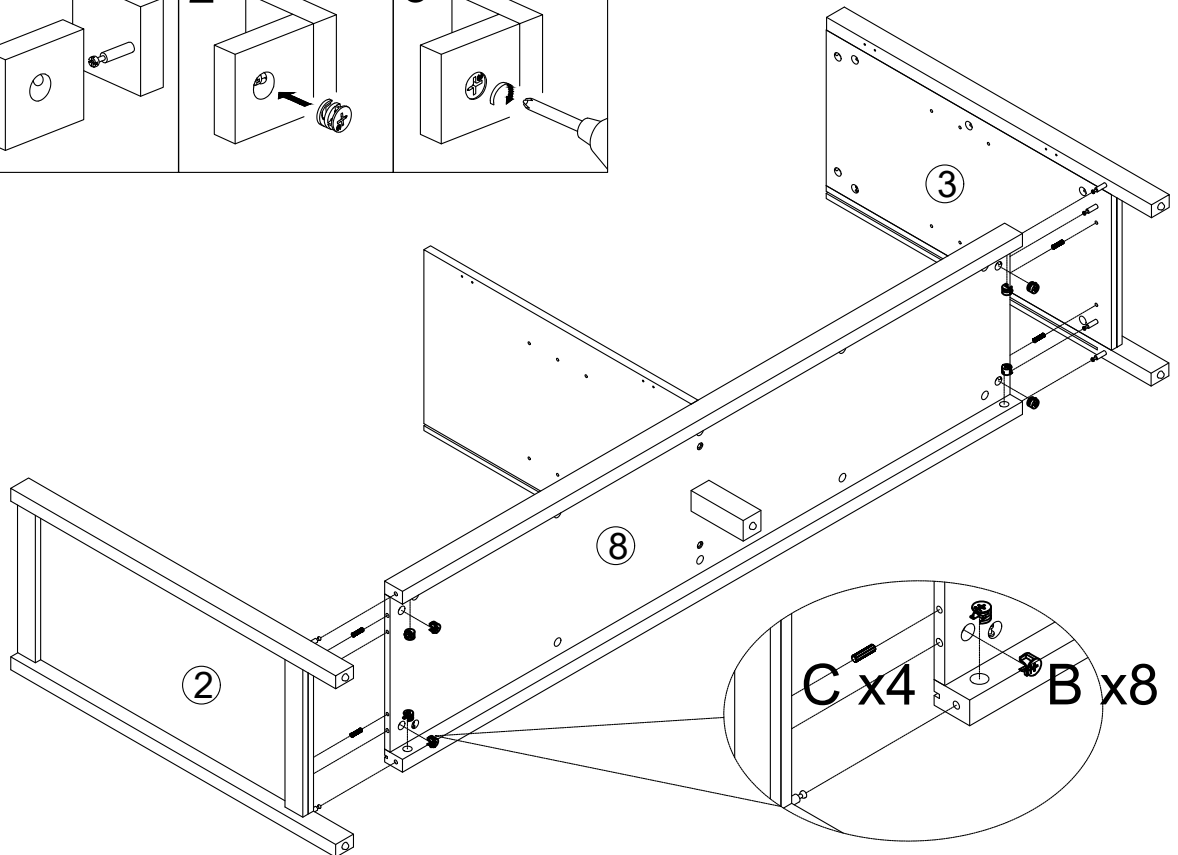
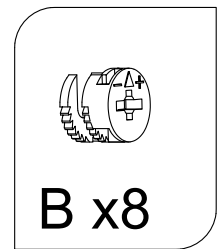
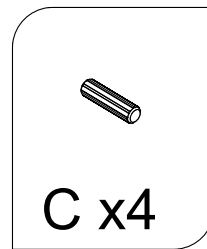
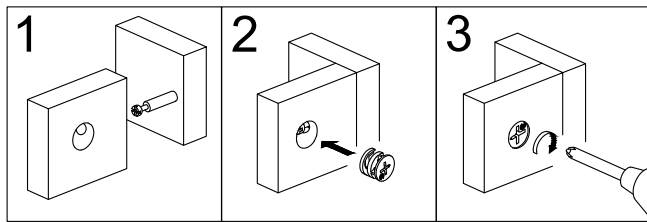
Step 6



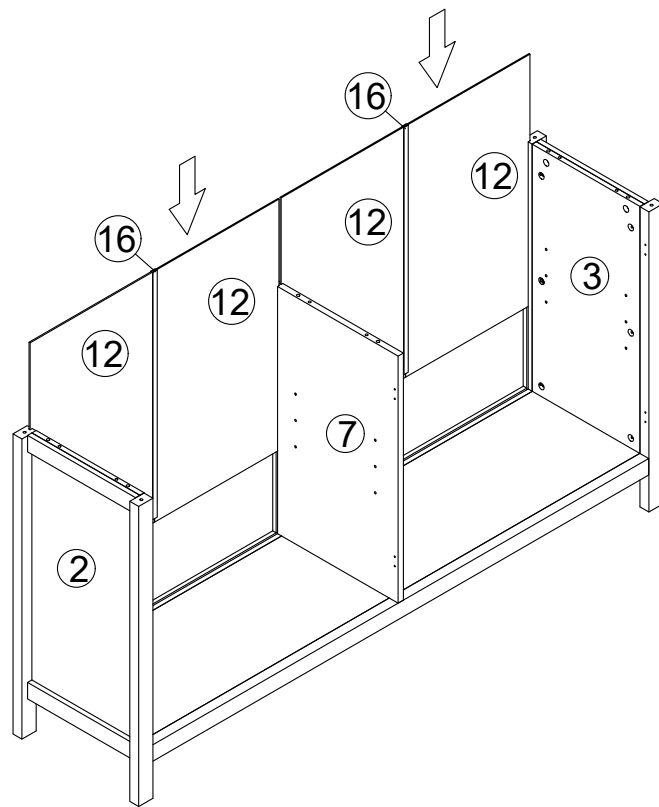
Step 7



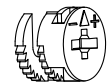
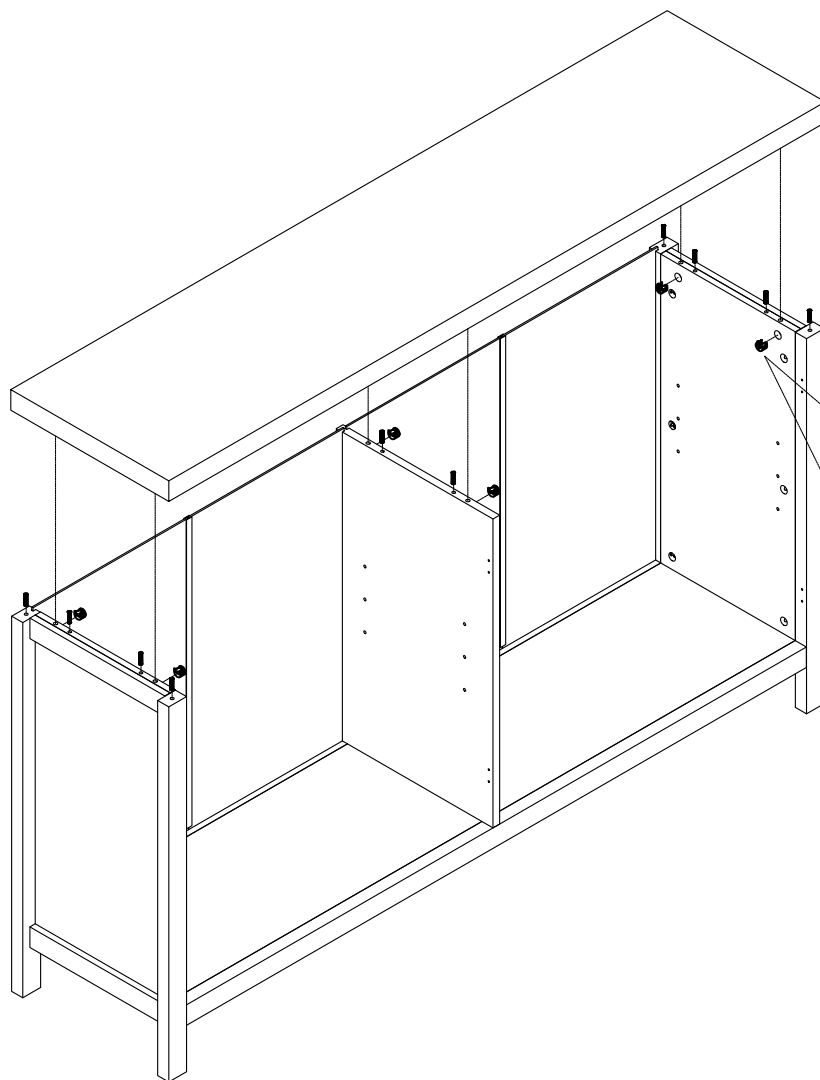
Step 8



Step 9



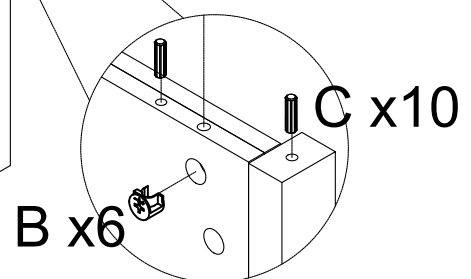
Step 10



B x6



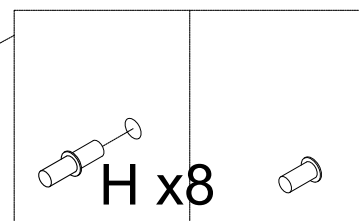
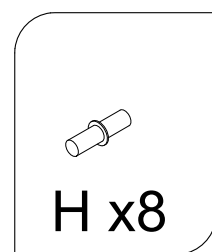
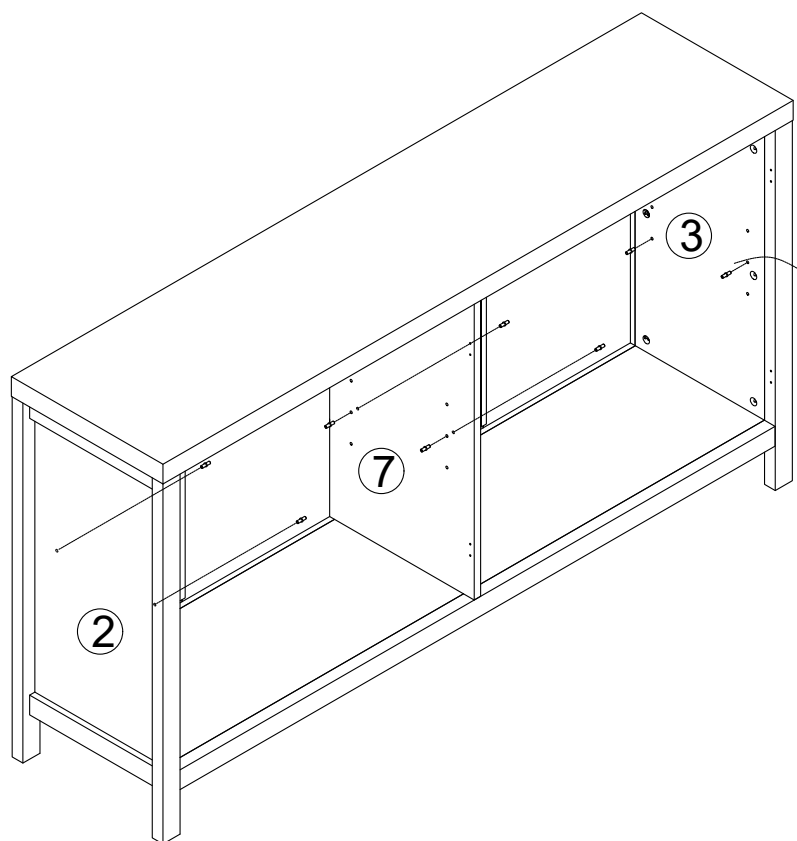
C x10



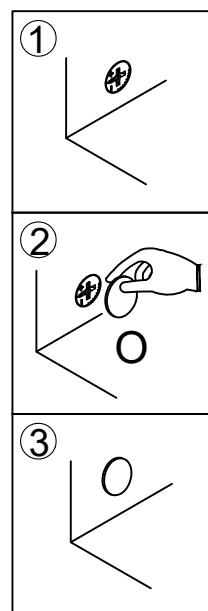
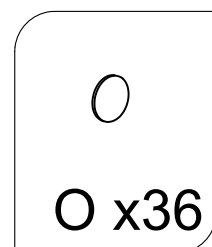
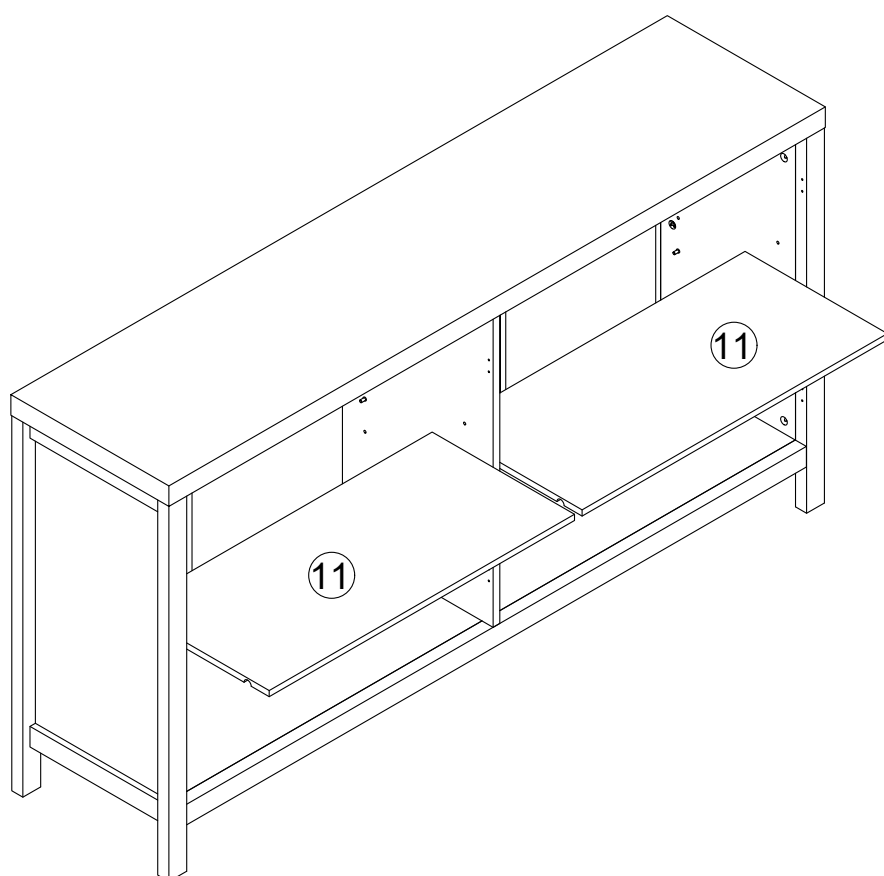
B x6

C x10

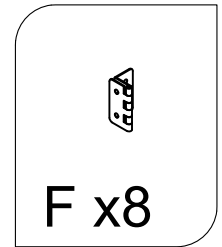
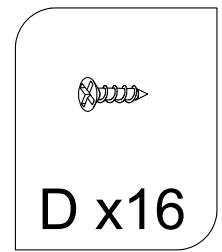
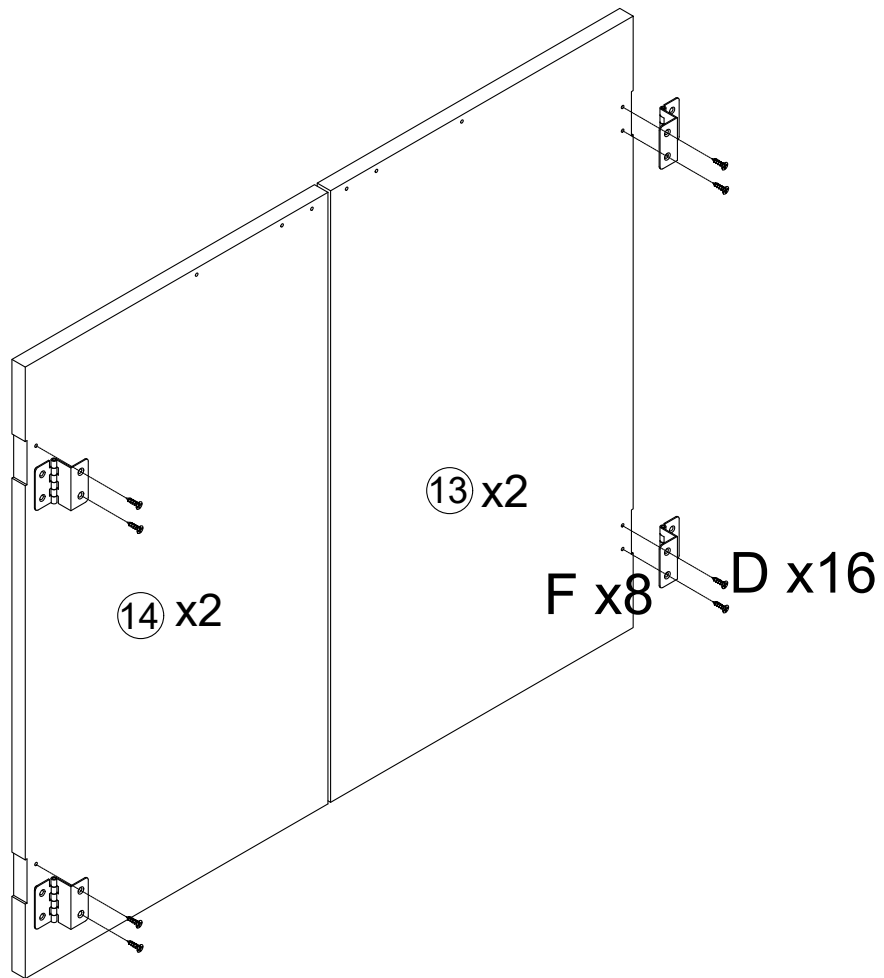
Step 11



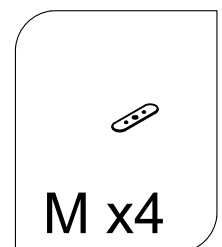
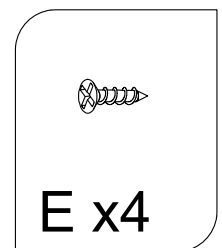
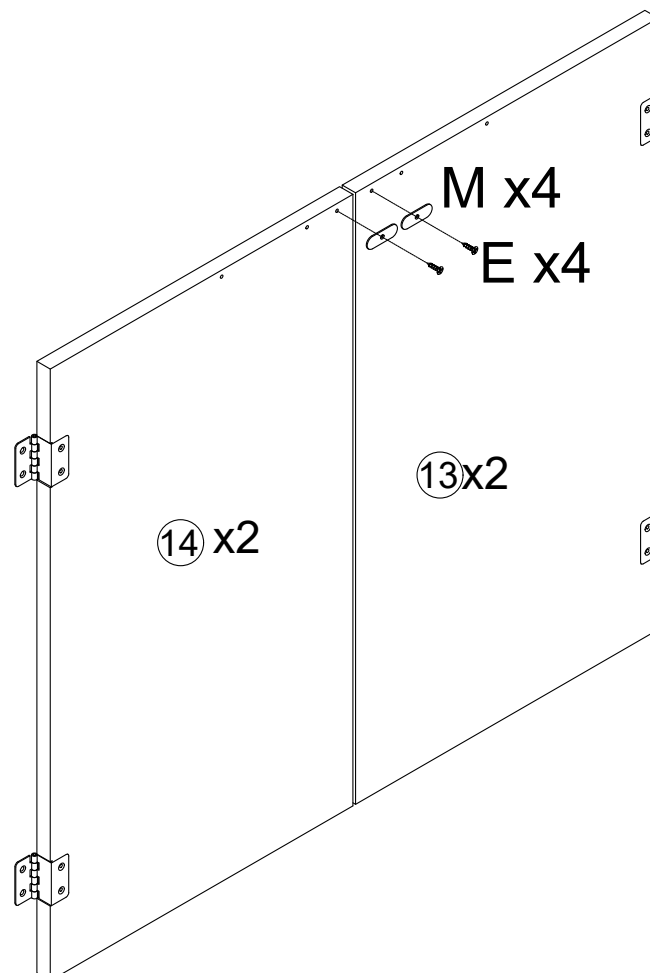
Step 12



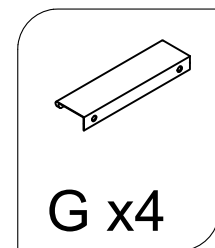
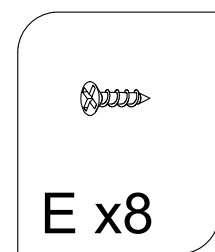
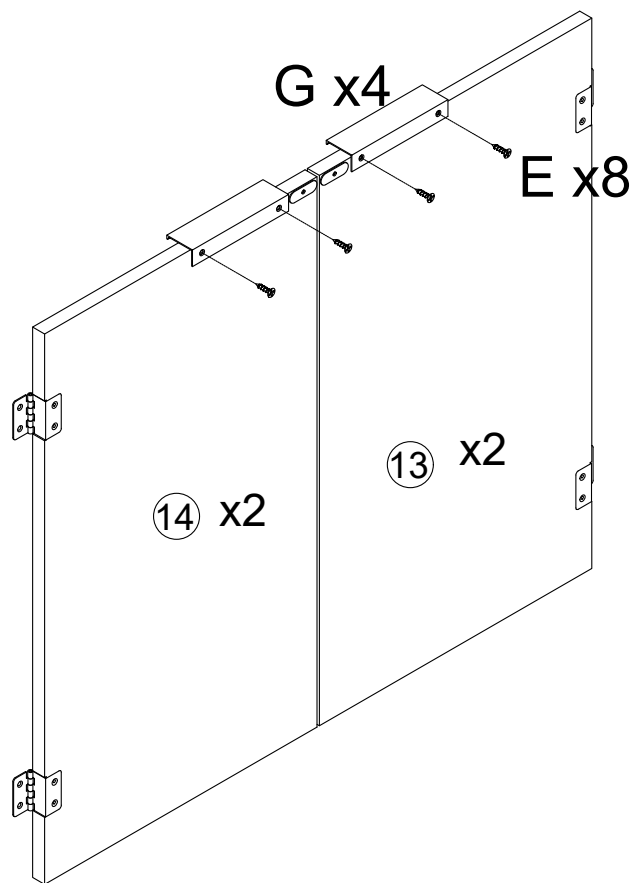
Step 13



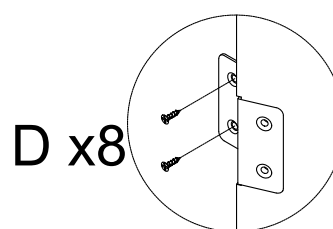
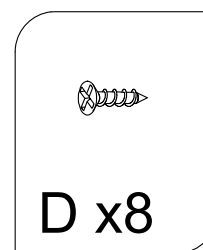
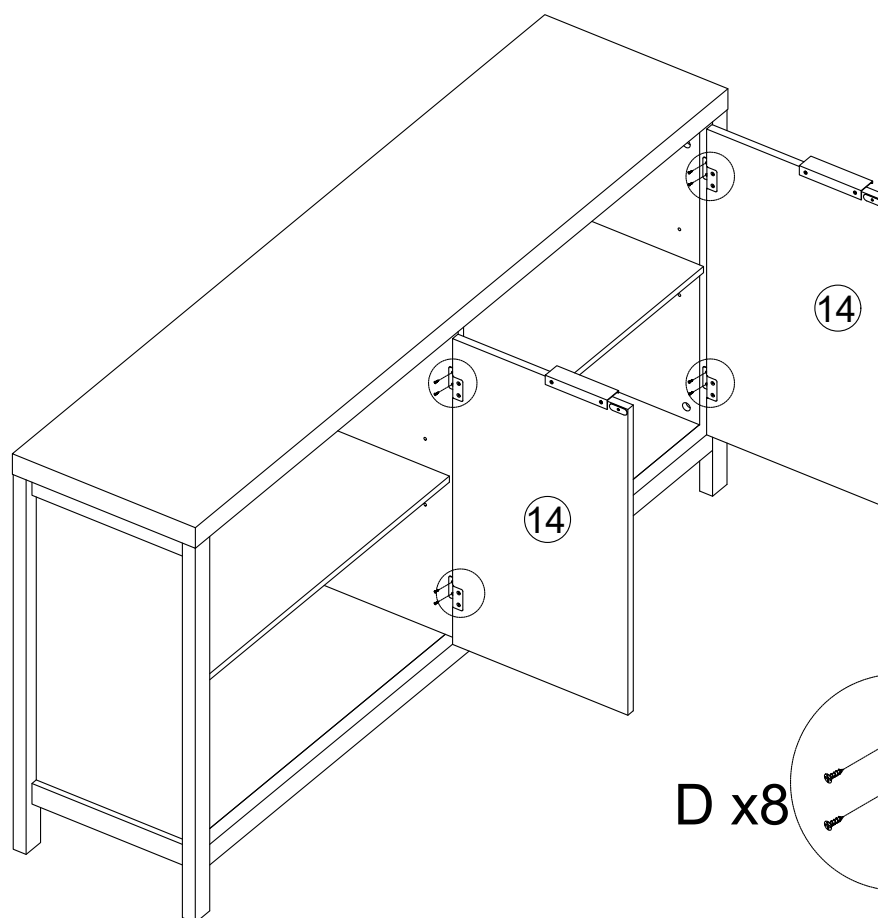
Step 14



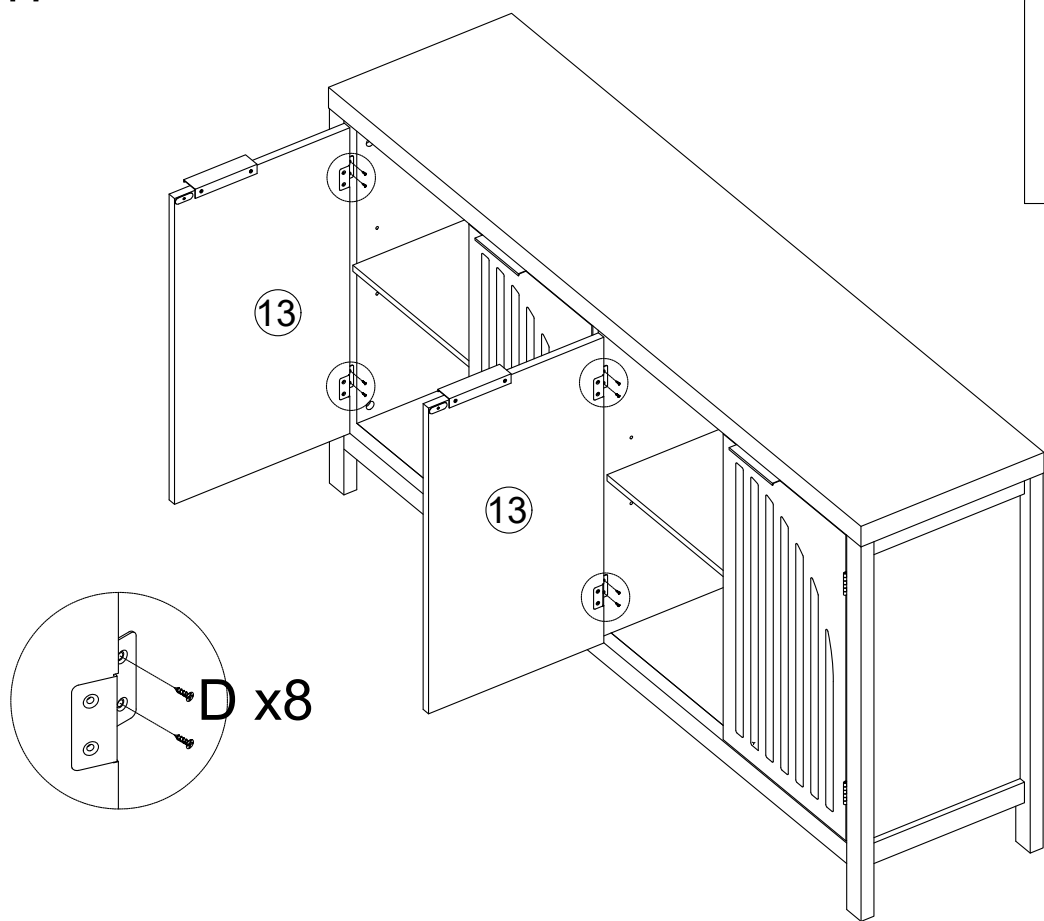
Step 15




Step 16

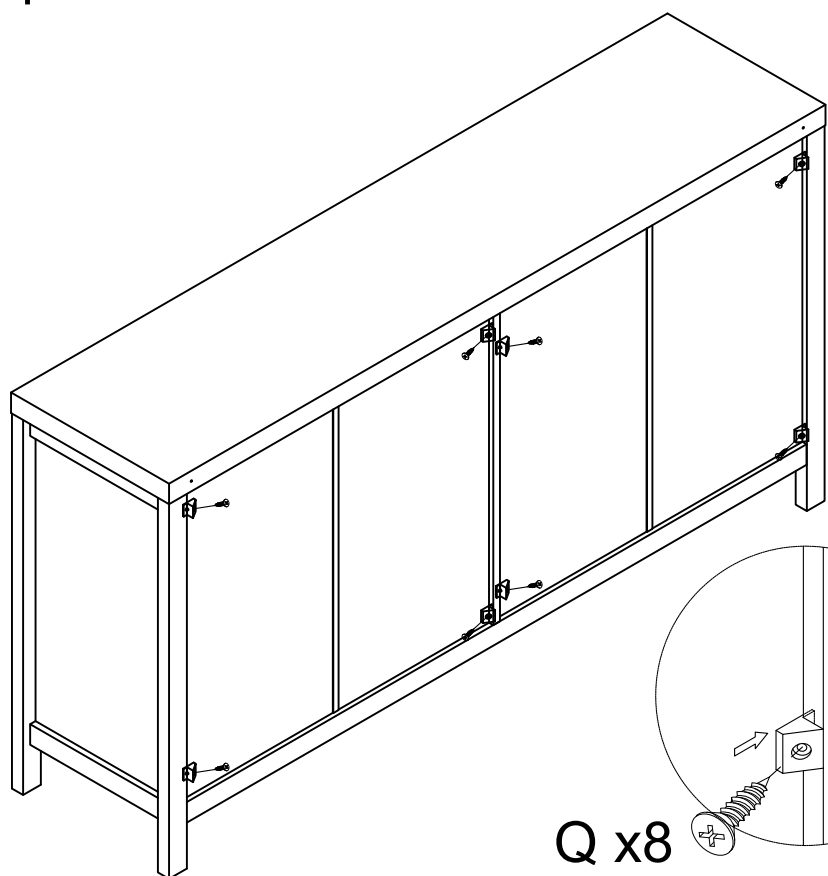


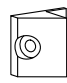
Step 17




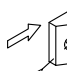


D x8

Step 18




P x8


Q x8

 P x8
Q x8 

Step 19

