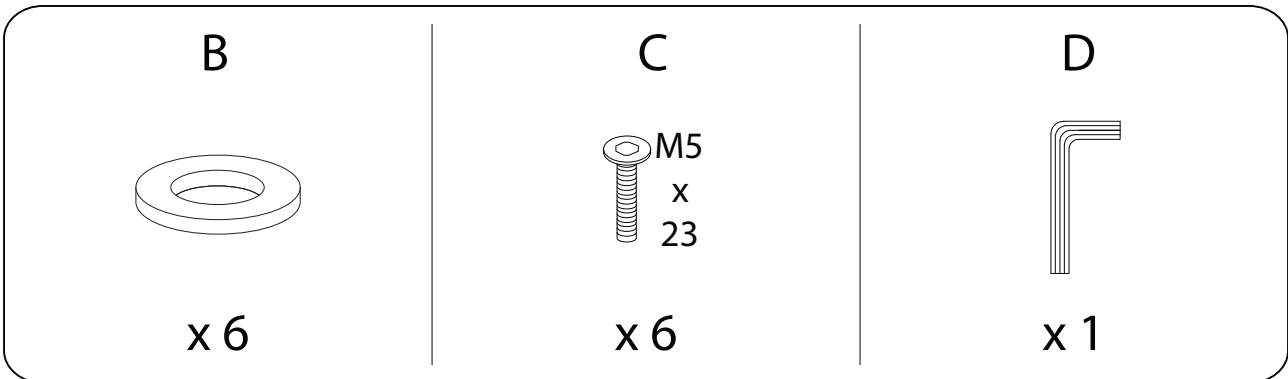
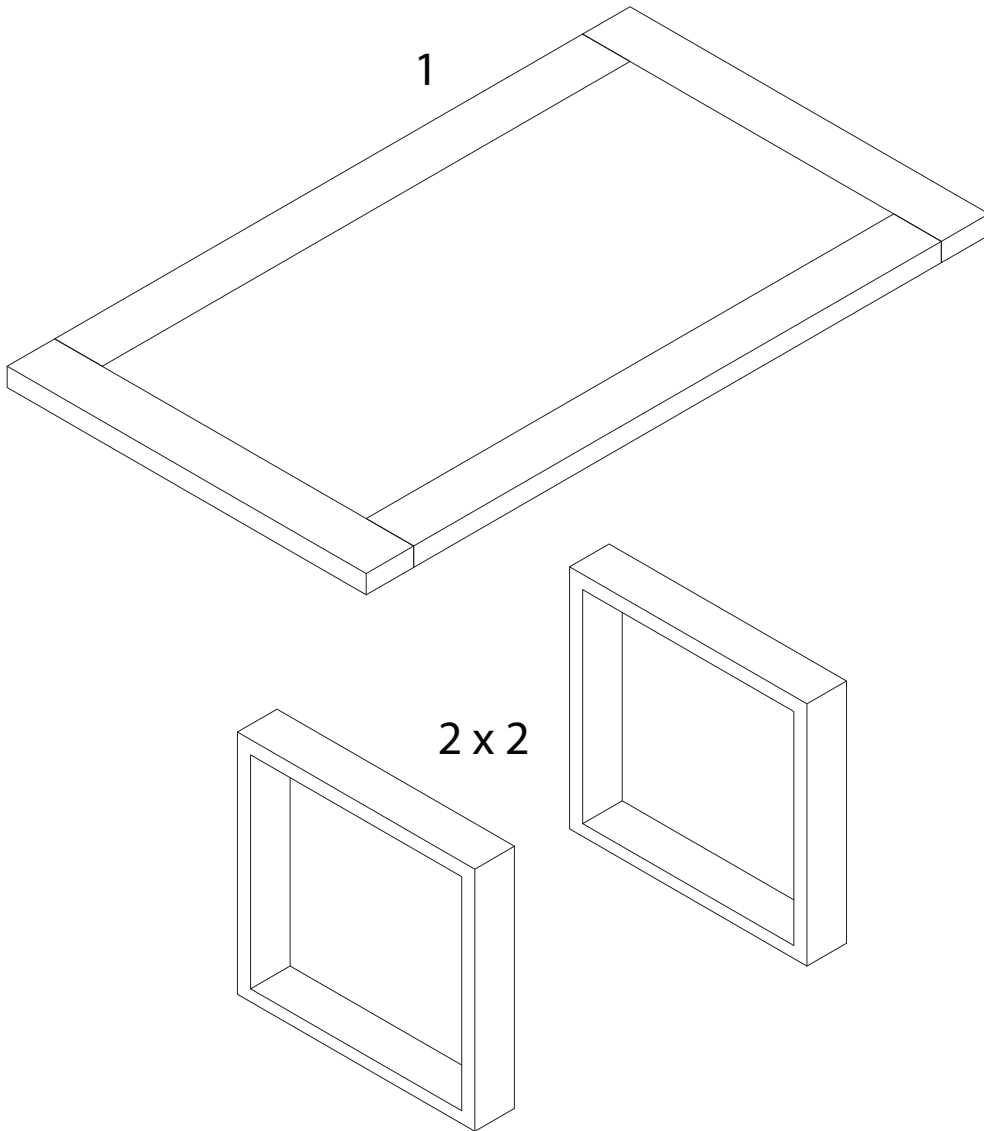
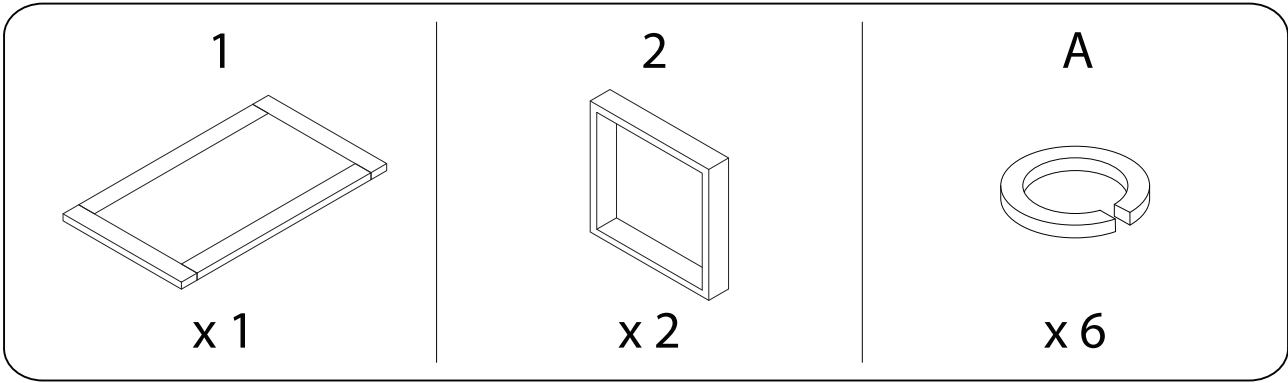


Diagram illustrating assembly instructions and safety warnings:

- Warning 1:** A warning triangle with an exclamation mark is shown next to a circular icon containing an L-shaped metal bracket and a crossed-out power drill, indicating that a power drill should not be used for this step.
- Warning 2:** A second warning triangle with an exclamation mark is shown next to a circular icon containing a rectangular block being placed on a surface with a grid pattern, and a crossed-out diagram of the block being placed on a surface without the grid, indicating that the block must be placed on a specific surface.
- Time:** A clock icon is shown next to the text "10'", indicating a 10-minute time limit for this step.
- Person:** A stick figure icon is shown next to the number "1", indicating that one person is required for this step.



1

